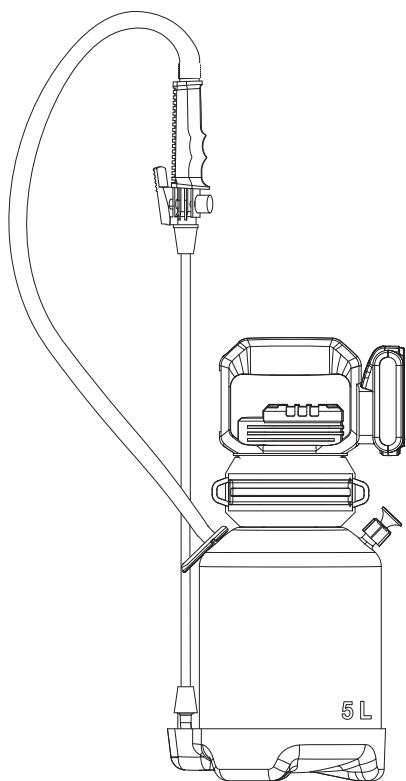


WORX



SAFETY AND OPERATING MANUAL


ORIGINAL INSTRUCTIONS

20V Yard Sprayer

WG829E W829E.X

PRODUCT SAFETY

GENERAL POWER TOOL SAFETY WARNINGS

 **WARNING:** Read all safety warnings, instructions, illustrations and specifications provided with this power tool. Failure to follow all instructions listed below may result in electric shock, fire and/or serious injury.

Save all warnings and instructions for future reference.

The term "power tool" in the warnings refers to your mains-operated (corded) power tool or battery-operated (cordless) power tool.

1) WORK AREA SAFETY

- a) **Keep work area clean and well lit.** Cluttered or dark areas invite accidents.
- b) **Do not operate power tools in explosive atmospheres, such as in the presence of flammable liquids, gases or dust.** Power tools create sparks which may ignite the dust or fumes.
- c) **Keep children and bystanders away while operating a power tool.** Distractions can cause you to lose control.

2) ELECTRICAL SAFETY

- a) **Power tool plugs must match the outlet. Never modify the plug in any way. Do not use any adapter plugs with earthed (grounded) power tools.** Unmodified plugs and matching outlets will reduce risk of electric shock.
- b) **Avoid body contact with earthed or grounded surfaces, such as pipes, radiators, ranges and refrigerators.** There is an increased risk of electric shock if your body is earthed or grounded.
- c) **Do not expose power tools to rain or wet conditions.** Water entering a power tool will increase the risk of electric shock.
- d) **Do not abuse the cord. Never use the cord for carrying, pulling or unplugging the power tool.** Keep cord away from heat, oil, sharp edges or moving parts. Damaged or entangled cords increase the risk of electric shock.
- e) **When operating a power tool outdoors, use an extension cord suitable for outdoor use.** Use of a cord suitable for outdoor use reduces the risk of electric shock.
- f) **If operating a power tool in a damp location is unavoidable, use a residual current device (RCD) protected supply.** Use of an RCD reduces the risk of electric shock.

3) PERSONAL SAFETY

- a) **Stay alert, watch what you are doing and use common sense when operating a power tool. Do not use a power tool while you are tired or under the influence of drugs, alcohol or medication.** A moment of inattention while operating power tools may result in serious personal injury.

- b) **Use personal protective equipment. Always wear eye protection.** Protective equipment such as dust mask, non-skid safety shoes, hard hat, or hearing protection used for appropriate conditions will reduce personal injuries.
- c) **Prevent unintentional starting. Ensure the switch is in the off-position before connecting to power source and/or battery pack, picking up or carrying the tool.** Carrying power tools with your finger on the switch or energising power tools that have the switch on invites accidents.
- d) **Remove any adjusting key or wrench before turning the power tool on.** A wrench or a key left attached to a rotating part of the power tool may result in personal injury.
- e) **Do not overreach. Keep proper footing and balance at all times.** This enables better control of the power tool in unexpected situations.
- f) **Dress properly. Do not wear loose clothing or jewellery. Keep your hair and clothing away from moving parts.** Loose clothes, jewellery or long hair can be caught in moving parts.
- g) **If devices are provided for the connection of dust extraction and collection facilities, ensure these are connected and properly used.** Use of dust collection can reduce dust-related hazards.
- h) **Do not let familiarity gained from frequent use of tools allow you to become complacent and ignore tool safety principles.** A careless action can cause severe injury within a fraction of a second.

4) POWER TOOL USE AND CARE

- a) **Do not force the power tool. Use the correct power tool for your application.** The correct power tool will do the job better and safer at the rate for which it was designed.
- b) **Do not use the power tool if the switch does not turn it on and off.** Any power tool that cannot be controlled with the switch is dangerous and must be repaired.
- c) **Disconnect the plug from the power source and/or remove the battery pack, if detachable, from the power tool before making any adjustments, changing accessories, or storing power tools.** Such preventive safety measures reduce the risk of starting the power tool accidentally.
- d) **Store idle power tools out of the reach of children and do not allow persons unfamiliar with the power tool or these instructions to operate the power tool.** Power tools are dangerous in the hands of untrained users.
- e) **Maintain power tools and accessories. Check for misalignment or binding of moving parts, breakage of parts and any other condition that may affect the power tool's operation.** If damaged, have the power tool repaired before use. Many accidents are caused by poorly maintained power tools.
- f) **Keep cutting tools sharp and clean.** Properly maintained cutting tools with sharp cutting edges are less likely to bind and are easier to control.

- g) **Use the power tool, accessories and tool bits etc. in accordance with these instructions, taking into account the working conditions and the work to be performed.** Use of the power tool for operations different from those intended could result in a hazardous situation.
- h) **Keep handles and grasping surfaces dry, clean and free from oil and grease.** Slippery handles and grasping surfaces do not allow for safe handling and control of the tool in unexpected situations.

5) BATTERY TOOL USE AND CARE

- a) **Recharge only with the charger specified by the manufacturer.** A charger that is suitable for one type of battery pack may create a risk of fire when used with another battery pack.
- b) **Use power tools only with specifically designated battery packs.** Use of any other battery packs may create a risk of injury and fire.
- c) **When battery pack is not in use, keep it away from other metal objects, like paper clips, coins, keys, nails, screws or other small metal objects, that can make a connection from one terminal to another.** Shorting the battery terminals together may cause burns or a fire.
- d) **Under abusive conditions, liquid may be ejected from the battery; avoid contact. If contact accidentally occurs, flush with water.** If liquid contacts eyes, additionally seek medical help. Liquid ejected from the battery may cause irritation or burns.
- e) **Do not use a battery pack or tool that is damaged or modified.** Damaged or modified batteries may exhibit unpredictable behaviour resulting in fire, explosion or risk of injury.
- f) **Do not expose a battery pack or tool to fire or excessive temperature.** Exposure to fire or temperature above 130 °C may cause explosion.
- g) **Follow all charging instructions and do not charge the battery pack or tool outside the temperature range specified in the instructions.** Charging improperly or at temperatures outside the specified range may damage the battery and increase the risk of fire.

6) SERVICE

- a) **Have your power tool serviced by a qualified repair person using only identical replacement parts.** This will ensure that the safety of the power tool is maintained.
- b) **Never service damaged battery packs.** Service of battery packs should only be performed by the manufacturer or authorized service providers.

SPRAYER SAFETY WARNINGS

- Know your sprayer.** Read and understand the operator's manual and observe the warnings and instruction labels affixed to the tool.
- Do not use commercial grade chemicals or chemicals for commercial or industrial purposes.** Use only consumer grade water-based lawn and garden chemicals.
- Do not pour hot or boiling liquids into the tank.** These

can weaken or damage the hose or tank.




- Do not use caustic (alkali) self-heating or corrosive (acid) liquids in this air brush.** These can corrode metal parts or weaken the tank and hose.
- Know the contents of the chemical being sprayed.** Read all Material Safety Data Sheets (MSDS) and container labels provided with the chemical. Follow the chemical manufacturer's safety instructions.
- Do not attempt to modify this product or create accessories not recommended for use with this product.** Any such alteration or modification is misuse and could result in a hazardous condition leading to possible serious personal injury.
- Do not spray flammable material and any material where the hazard is not known.**

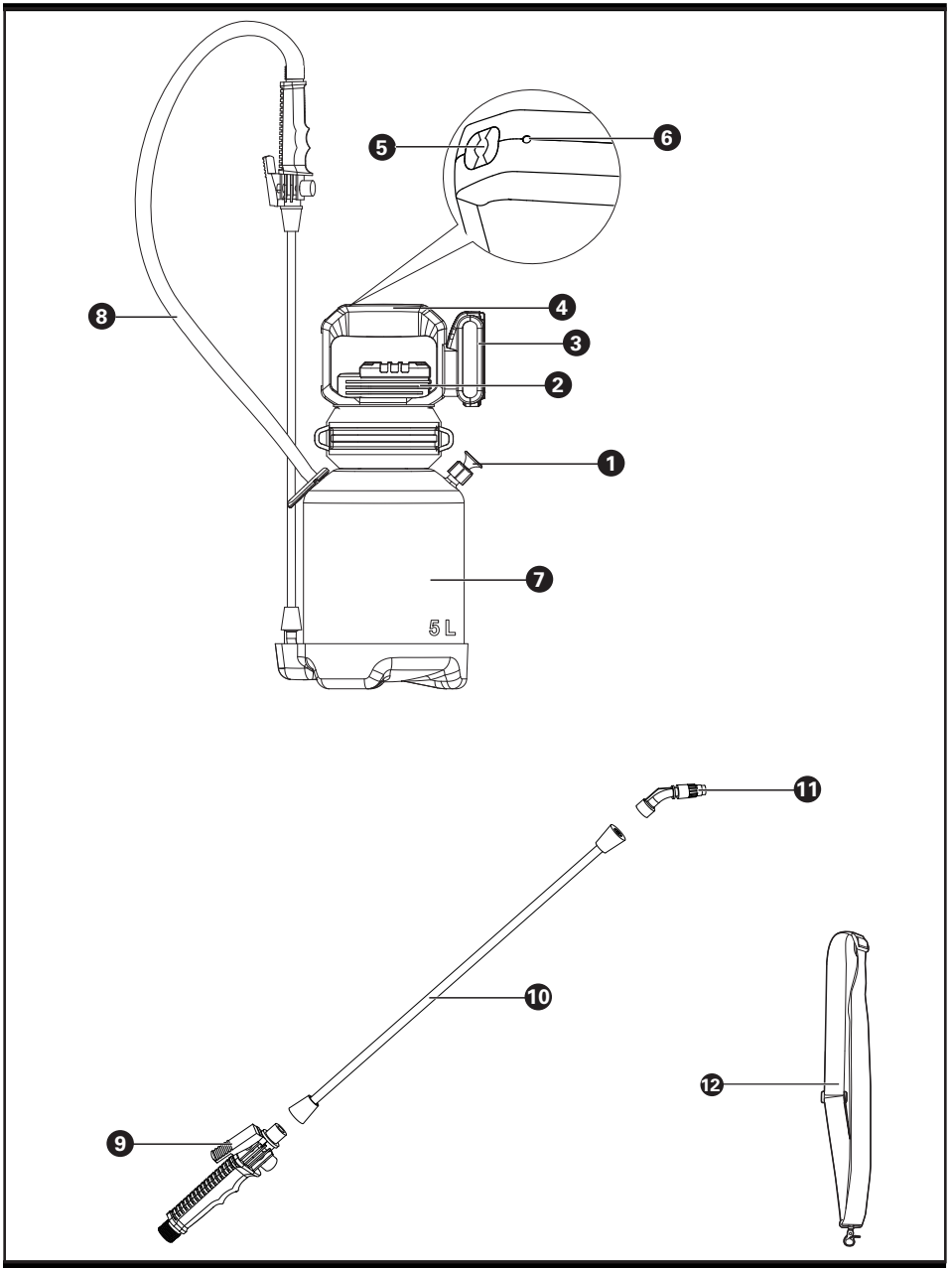
SAFETY WARNINGS FOR BATTERY PACK

- Do not dismantle, open or shred cells or battery pack.**
- Do not short-circuit a battery pack. Do not store battery packs haphazardly in a box or drawer where they may short-circuit each other or be short-circuited by conductive materials.** When battery pack is not in use, keep it away from other metal objects, like paper clips, coins, keys, nails, screws or other small metal objects, that can make a connection from one terminal to another. Shorting the battery terminals together may cause burns or a fire.
- Do not expose battery pack to heat or fire. Avoid storage in direct sunlight.**
- Do not subject battery pack to mechanical shock.**
- In the event of battery leaking, do not allow the liquid to come into contact with the skin or eyes.** If contact has been made, wash the affected area with copious amounts of water and seek medical advice.
- Keep battery pack clean and dry.**
- Wipe the battery pack terminals with a clean dry cloth if they become dirty.**
- Battery pack needs to be charged before use.** Always refer to this instruction and use the correct charging procedure.
- Do not maintain battery pack on charge when not in use.**
- After extended periods of storage, it may be necessary to charge and discharge the battery pack several times to obtain maximum performance.**
- Recharge only with the charger specified by Worx. Do not use any charger other than that specifically provided for use with the equipment.**
- Do not use any battery pack which is not designed for use with the equipment.**
- Keep battery pack out of the reach of children.**
- Retain the original product literature for future reference.**
- Remove the battery from the equipment when not in use.**

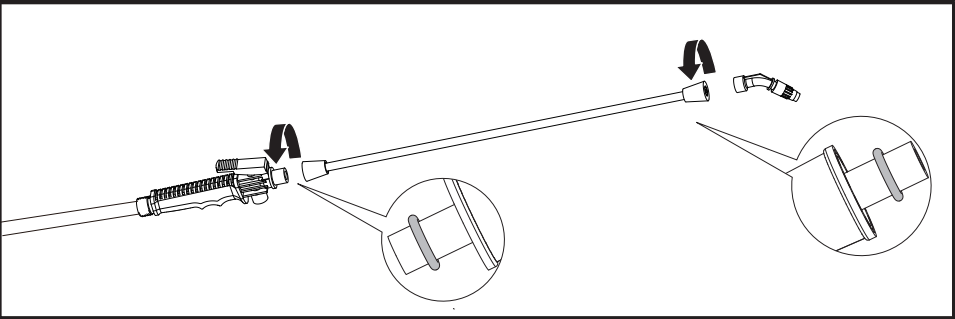
- p) **Dispose of properly.**
- q) **Do not mix cells of different manufacture, capacity, size or type within a device.**
- r) **Keep the battery away from microwaves and high pressure.**

SYMBOLS

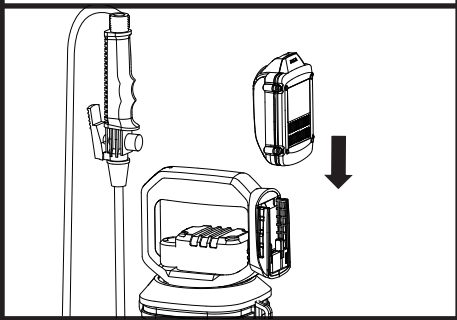
	To reduce the risk of injury, user must read instruction manual
	Wear ear protection
	Wear eye protection
	Wear dust mask
	Warning
 Li-Ion 	Li-Ion battery This product has been marked with a symbol relating to 'separate collection' for all battery packs and battery pack. It will then be recycled or dismantled in order to reduce the impact on the environment. Battery packs can be hazardous for the environment and for human health since they contain hazardous substances.
	Do not burn
	Batteries may enter water cycle if disposed improperly, which can be hazardous for ecosystem. Do not dispose of waste batteries as unsorted municipal waste.
	Waste electrical products must not be disposed of with household waste. Please recycle where facilities exist. Check with your local authorities or retailer for recycling advice.



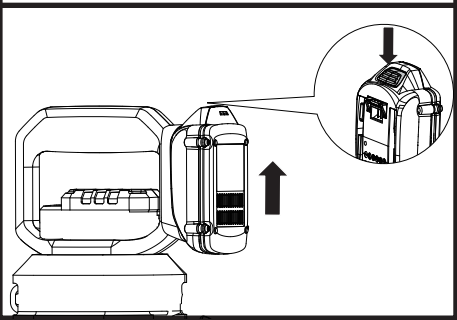
A



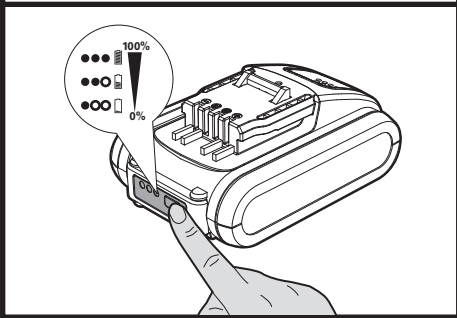
B1



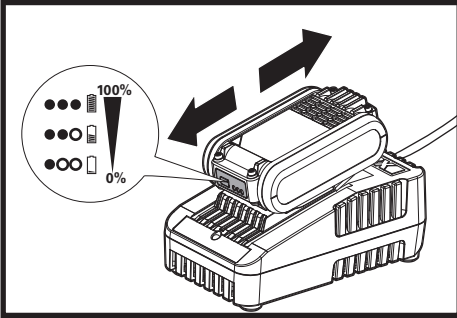
B2

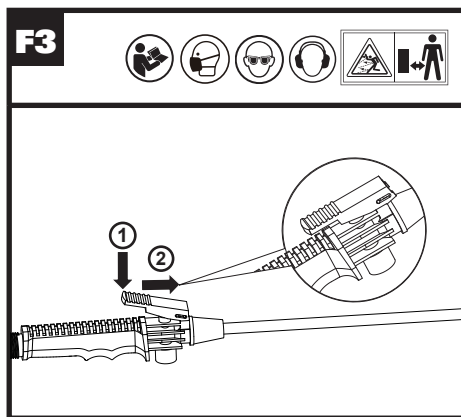
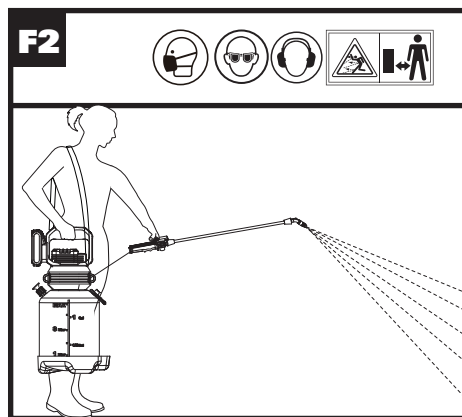
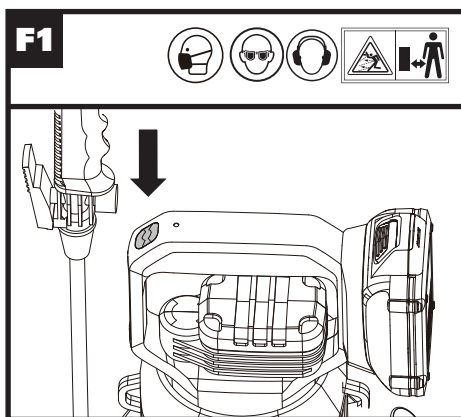
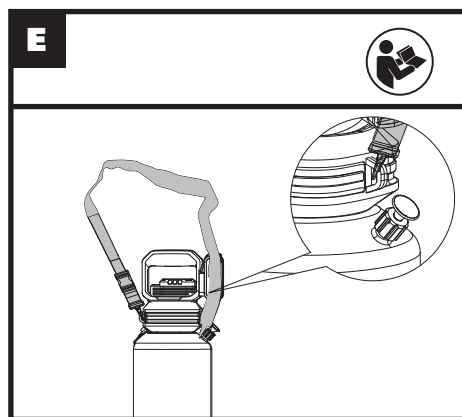
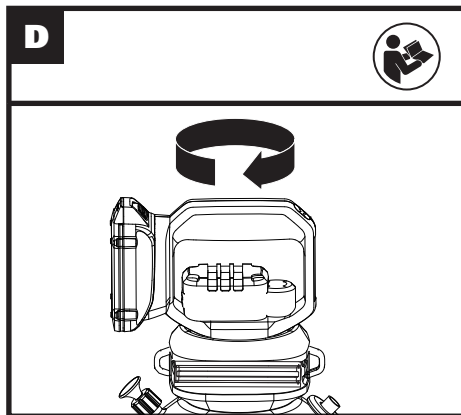
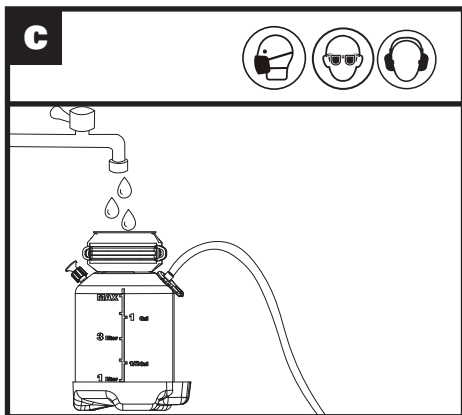


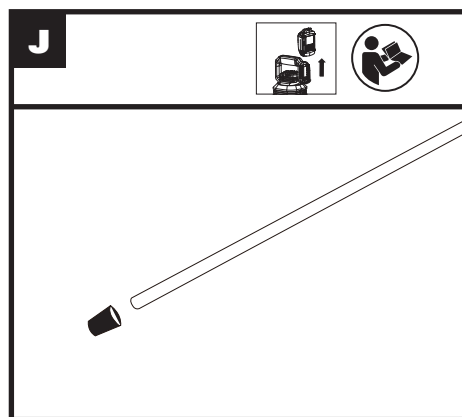
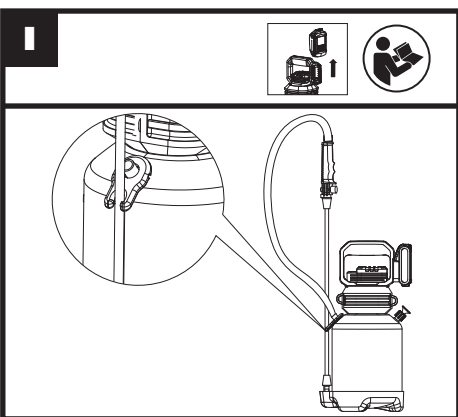
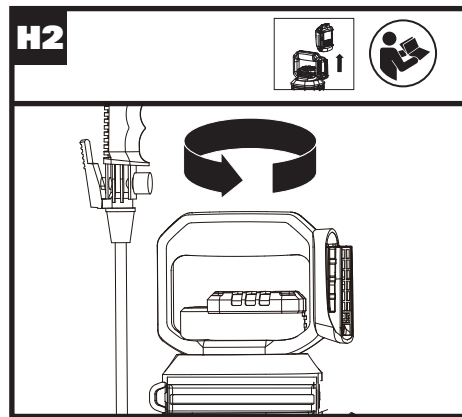
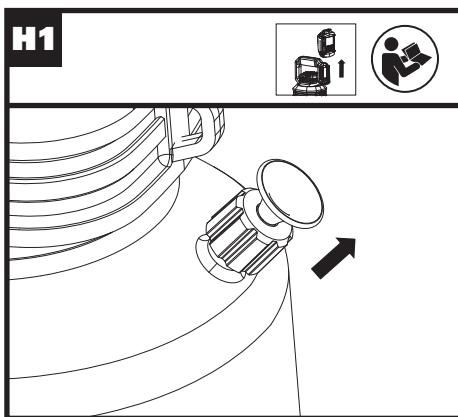
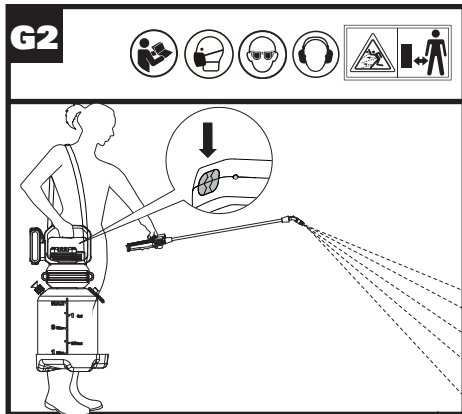
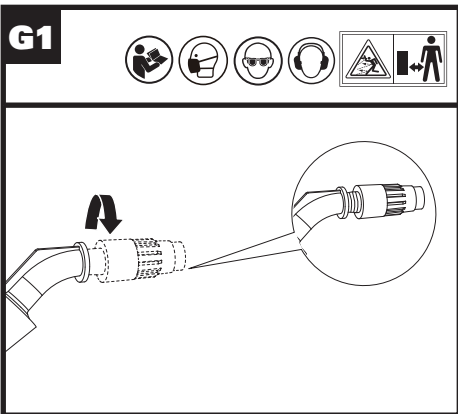
B3

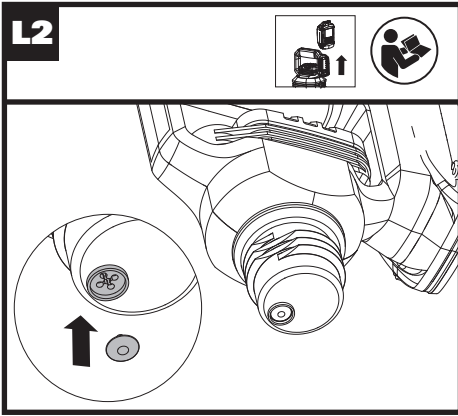
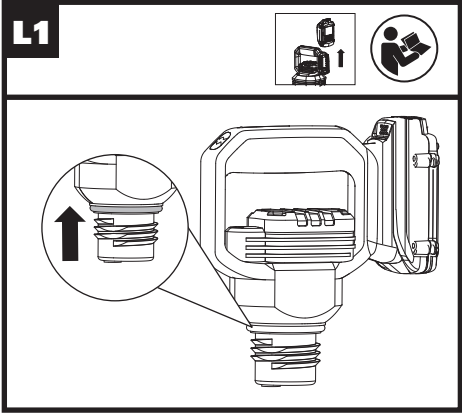
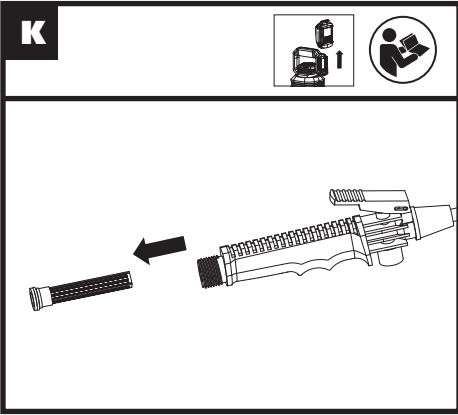


B4









COMPONENT LIST

1. PRESSURE RELEASE VALVE
2. AIR COMPRESSOR PUMP
3. BATTERY PACK *
4. HANDLE
5. POWER BUTTON
6. LED LIGHT
7. TANK
8. HOSE
9. SHUT-OFF LEVER
10. WAND
11. ADJUSTABLE SPRAY NOZZLE
12. SHOULDER STRAP

* Not all the accessories illustrated or described are included in standard delivery.

TECHNICAL DATA

	WG829E WG829E.X**
Rated Voltage	20 V \equiv Max***
Pump Type	Air compressor pump
No-load speed	6600 /min
Nominal spray-tank capacity	5 L
Max. working pressure	0.18 MPA
Nominal flow rate	27 L/h
Unit Weight (bare tool)	1.85 kg

**X=1-999, A-Z, M1-M9 there are only used for different customers, there are no safe relevant changes between these models

*** Voltage measured without workload. Initial battery voltage reaches maximum of 20 volts. Nominal voltage is 18 volts.

Category	Type	Capacity
20V Battery	WA3551	2.0 Ah
	WA3551.1	2.0 Ah
20V Charger	WA3880	2.0 A

We recommend that you purchase your accessories

listed in the above list from the same store that sold you the lawn trimmer. Refer to the accessory packaging for further details. Store personnel can assist you and offer advice.

NOISE INFORMATION

A weighted sound pressure $L_{pA} = 63.46\text{dB(A)}$

K_{pA} 3dB(A)

A weighted sound power $L_{WA} = 74.46\text{dB(A)}$

K_{WA} 3dB(A)

Wear ear protection

VIBRATION INFORMATION

Vibration total values (triax vector sum) determined according to EN 62841:

Vibration emission value:	$a_h < 2.5 \text{ m/s}^2$
	Uncertainty $K = 1.5 \text{ m/s}^2$

The declared vibration total value and the declared noise emission value have been measured in accordance with a standard test method and may be used for comparing one tool with another. The declared vibration total value and the declared noise emission value may also be used in a preliminary assessment of exposure.

WARNING: The vibration and noise emissions during actual use of the power tool can differ from the declared value depending on the ways in which the tool is used especially what kind of workpiece is processed dependant on the following examples and other variations on how the tool is used:
How the tool is used and the materials being cut or drilled.
The tool being in good condition and well maintained.
The use of the correct accessory for the tool and ensuring it is sharp and in good condition.
The tightness of the grip on the handles and if any anti vibration and noise accessories are used.
And the tool is being used as intended by its design and these instructions.

This tool may cause hand-arm vibration syndrome if its use is not adequately managed.

WARNING: To be accurate, an estimation of exposure level in the actual conditions of use should also take account of all parts of the operating cycle such as the times when the tool is switched off and when it is running idle but not actually doing the job. This may significantly reduce the exposure level over the total working period.

Helping to minimise your vibration and noise exposure risk. Always use sharp chisels, drills and blades. Maintain this tool in accordance with these instructions and keep well lubricated (where appropriate). If the tool is to be used regularly then invest in anti vibration and noise accessories. Plan your work schedule to spread any high vibration tool use across a number of days.

OPERATING INSTRUCTIONS




NOTE: Before using the tool, read the instruction book carefully.

Intended Use:

This machine is intended for watering, spraying household cleaners and other household items. It cannot be used for other purposes.

ASSEMBLY & OPERATION

ACTION	FIGURE
ASSEMBLY	
Assembling the Shut-off Assembly, Wand and Nozzle Attach the shut-off to wand, and tighten the nut securely. Then attach the nozzle to the end of the wand and tighten securely. NOTE: Both sides of the wand are interchangeable. The o-ring location can also be adjusted as necessary. NOTE: Replace the O-ring if needed.	See Fig. A
Installing and Removing the Battery Pack	See Fig. B1, B2
Checking the Battery Charge Condition NOTE: Fig. B3 only applies for the battery pack with battery indicator light.	See Fig. B3
Charging the Battery Pack NOTE: • The batteries are shipped uncharged. Each battery must be fully charged before the first use. • More details can be found in charger's manual.	See Fig. B4
OPERATION	
Filling the Tank Fill the tank to the desired level, and you can check the filling marks on the tank for reference. NOTE: When using, preparing, handling, spraying or disposing of chemicals, wear appropriate personal protective equipment as directed by the chemical manufacturer.  WARNING: Never use flammable or combustible liquids, caustics, acids, or hot water in this machine.	See Fig. C
Assembling the Pump Install the pump into the tank and rotate clockwise to tighten.	See Fig. D
Assembling the Shoulder Strap	See Fig. E

Starting

Press the power button to turn on the sprayer, the LED light will be green and an audible hum will be heard, which means the machine is working. And it will stop once the tank is pressurized, which may take 30 seconds to several minutes depending on the size of the tank and the amount of liquid inside.

NOTE: The greater amount of liquid in the tank, the less time it takes to pressurize.

NOTE: Once the sprayer is used and releases a certain amount of liquid, the pump will kick back on to maintain a steady stream.

See Fig. F1

Spraying

Aim the wand in the desired direction and depress the lever to spray. Release the lever to stop.

For continuous spraying, please depress the lever and lock it in the depressed position.

NOTE: When the battery power is low, the LED light will flash green. After usage, turn off the sprayer, then remove any chemical and clean the machine.

See Fig. F2, F3

Adjustable Sprayer Nozzle

The adjustable spray nozzle offers variable spray patterns:

Loosen nozzle for a long, thin stream, tighten for a wider mist.

NOTE: Do not loosen the nozzle nut overly, which may result in the water leak.

See Fig. G1, G2

AFTER OPERATION

After each usage, press the power button to turn off the machine. You must first pull up the pressure release valve to release the pressure inside of the tank. Then rotate the pump handle counterclockwise to remove the pump.

See Fig. H1, H2

Storage

When not in use, store the wand as Fig. I shown.

See Fig. I

MAINTENANCE

Before any maintenance, please depressurize the sprayer by turn off the machine and pull of the pressure release valve until all air pressure is released.

Pump maintenance

Inspect the pump frequently whether any leaking occurs around the pump seal. If leaking occurs, please contact service center.

Nozzle maintenance

Clean the openings of any obstructions or residue. Do not use sharp tools that could scratch or damage the nozzle.


Hose maintenance

Clean the filter at the end of the hose regularly for a better performance. (See Fig. J)

Shut-off maintenance

Remove the filter from the shut-off assembly. Clean the debris inside and clean the filter by rinsing with cool, clean water. (See Fig. K)

Replace the O- ring and rubber plug. (See Fig. L1, L2)

 **WARNING:** Contact the solutions center before attempting any other servicing.

CLEANING AND STORAGE

Empty any extra chemical from the tank. Use clean water to thoroughly rinse the tank until all chemical and residues are removed. Use a wet cloth to wipe the bottom of the pump until all chemical and residues are removed. Do not rinse the pump with a hose or submerge in water, as water will enter the housing resulting in the pump non-functional. With clean water in the clean tank, spray water through the hose, shut-off lever, wand, and nozzle for at least 30 seconds to rinse the chemical out. Remove the pump. Do not put the pump down as it may cause the pump is contaminated with dirt, grass clippings, or debris that will enter the tank later. Hanging the tank upside down to let the sprayer drain. Once the sprayer is dried, please turn the sprayer upright and loosely attach the pump to the tank to prevent debris from entering the tank. Store the machine in a warm, dry place out of direct sunlight.

FOR BATTERY TOOLS

The ambient temperature range for the use and storage of tool and battery is 0°C-45°C (32°F-113°F).

The recommended ambient temperature range for the charging system during charging is 0°C-40°C (32°F-104°F).


ENVIRONMENTAL PROTECTION



Waste electrical products must not be disposed of with household waste. Please recycle where facilities exist. Check with your local authorities or retailer for recycling advice.

TROUBLESHOOTING

The following table gives problems and actions that you can perform if your machine does not operate correctly.

 **Warning:** Switch the machine off and remove the battery prior to any troubleshooting.

Symptom	Possible causes	Solution
Sprayer will not turn on when power button is pressed.	Battery is not charged. LED light is not on.	Charge Pump
	Pump is over heated, damaged, or non-functional.	Allow the battery to cool down. Replace Pump if it is damaged or non-functional.
	Tank is already pressurized so the pump is turned off automatically.	Depress the lever to see if the sprayer starts spraying.
Sprayer turns on but will not spray.	No liquid is in tank.	Add liquid to tank.
	Shut-off is clogged	Clean the shut-off
	Nozzle is clogged.	Clean the nozzle..
	Pump is not attached tightly to the tank	Tighten pump to tank.
Sprayer turns on but only sprays at a low pressure.	Tank has not been pressurized yet.	Allow time for pump to pressurize tank (at least 20 seconds).
	Air leaking from tank at seal.	Tighten pump to tank.
	Tank seal is damaged.	Replace tank seal.
	Shut-off is clogged.	Clean the shut-off
	Nozzle is clogged.	Clean the nozzle.
Hose leaks at the tank	Cracked, swollen or faulty hose.	Replace shut-off assembly.
	Damaged connection.	Replace shut-off assembly.

Hose leaks at the shut-off.	Cracked, swollen or faulty hose.	Replace shut-off assembly.
	Damaged connection.	Replace shut-off assembly.
Poor Spray Performance	Tank has not been pressurized yet.	Turn on pump.
	Nozzle is partially clogged.	Clean the nozzle.
	Nozzle is damaged.	Replace the nozzle.
	Shut-off is clogged	Clean the shut-off

DECLARATION OF CONFORMITY

We,
Positec Germany GmbH
Postfach 32 02 16, 50796 Cologne, Germany

On behalf of Positec declare that the product
Description **Battery operated sprayer**
Type **WG829E WG829E.X (82-designation of machinery, representative of sprayer)**
Function **spraying liquids**

Complies with the following Directives:
2006/42/EC
2011/65/EU&(EU)2015/863
2014/30/EU

Standards conform to
EN 62841-1, EN 50580, EN 55014-1, EN 55014-2

The person authorized to compile the technical file,
Name: Marcel Filz
Address: Positec Germany GmbH
Postfach 32 02 16, 50796 Cologne, Germany



2022/01/27
Allen Ding
Deputy Chief Engineer, Testing & Certification
Positec Technology (China) Co., Ltd.
18, Dongwang Road, Suzhou Industrial
Park, Jiangsu 215123, P. R. China

DECLARATION OF CONFORMITY

We,
Positec (UK & Ireland) Ltd
PO BOX 6242, Newbury, RG14 9LT, UK

On behalf of Positec declare that the product
Description **Battery operated sprayer**
Type **WG829E WG829E.X (82-designation of machinery, representative of sprayer)**
Function **spraying liquids**

Complies with the following regulations:
Supply of Machinery (Safety) Regulations 2008
Electromagnetic Compatibility Regulations 2016
The Restriction of the Use of Certain Hazardous Substances in Electrical and Electronic Equipment Regulations

Standards conform to
BS EN 62841-1, BS EN 50580, BS EN 55014-1, BS EN 55014-2

The person authorized to compile the technical file,
Name: Jim Kirkwood
Address: Positec (UK & Ireland) Ltd
PO BOX 6242, Newbury, RG14 9LT, UK



2022/01/27
Allen Ding
Deputy Chief Engineer, Testing & Certification
Positec Technology (China) Co., Ltd.
18, Dongwang Road, Suzhou Industrial
Park, Jiangsu 215123, P. R. China

WORX
it's your nature

www.worx.com

Copyright © 2022, Positec. All Rights Reserved.
V1-UK-WG829E WG829E.X-M-20220207