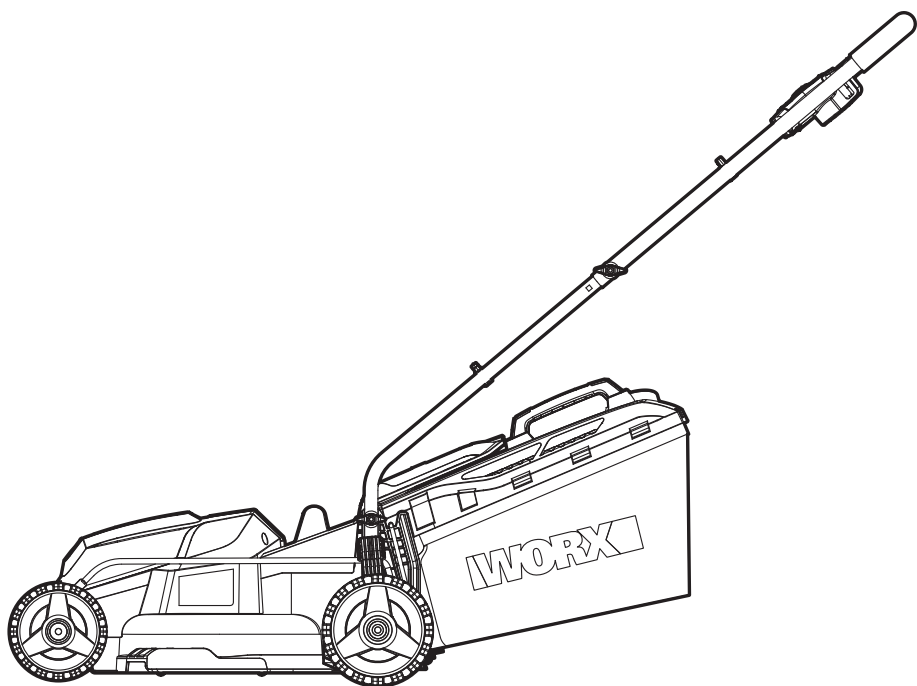


WORX



SAFETY AND OPERATING MANUAL


ORIGINAL INSTRUCTIONS

Electric lawn mower
WG713E WG713E.X

TABLE OF CONTENTS

1. SAFETY INSTRUCTIONS
2. COMPONENT LIST
3. TECHNICAL DATA
4. INTENDED USE
5. OPERATING INSTRUCTIONS
6. MAINTENANCE
7. TROUBLESHOOTING
8. ENVIRONMENTAL PROTECTION
9. PLUG REPLACEMENT (UK & IRELAND ONLY)
10. DECLARATION OF CONFORMITY

1. SAFETY INSTRUCTIONS ORIGINAL INSTRUCTION PRODUCT SAFETY GENERAL POWER TOOL SAFETY WARNINGS

 **WARNING** Read all safety warnings, instructions, illustrations and specifications provided with this machine .Failure to follow all instructions listed below may result in electric shock, fire and/or serious injury.

Save all warnings and instructions for future reference.

The term “machine” in the warnings refers to your mains-operated (corded) machine or battery-operated (cordless) machine.

Work area safety

- a) Keep work area clean and well lit.** Cluttered or dark areas invite accidents.
- b) Do not operate machines in explosive atmospheres, such as in the presence of flammable liquids, gases or dust.** Machines create sparks which may ignite the dust or fumes.
- c) Keep children and bystanders away while operating a machine.** Distractions can cause you to lose control.

Electrical safety

- a) Machine plugs must match the outlet. Never modify the plug in any way. Do not use any adapter plugs with earthed (grounded) machines.** Unmodified plugs and matching outlets will reduce risk of electric shock.
- b) Avoid body contact with earthed or grounded surfaces, such as pipes, radiators, ranges and refrigerators.** There is an increased risk of electric shock if your body is earthed or grounded.

- c) **Do not operate the lawnmower in rain or wet conditions.** This may increase the risk of electric shock.
- d) **Do not abuse the cord. Never use the cord for carrying, pulling or unplugging the machine. Keep cord away from heat, oil, sharp edges or moving parts.** Damaged or entangled cords increase the risk of electric shock.
- e) **When operating a machine outdoors, use an extension cord suitable for outdoor use.** Use of a cord suitable for outdoor use reduces the risk of electric shock.
- f) **If operating a machine in a damp location is unavoidable, use a residual current device (RCD) protected supply.** Use of an RCD reduces the risk of electric shock.
- or medication. A moment of inattention while operating machines may result in serious personal injury.
- b) **Use personal protective equipment. Always wear eye protection.** Protective equipment such as a dust mask, non-skid safety shoes, hard hat or hearing protection used for appropriate conditions will reduce personal injuries.
- c) **Prevent unintentional starting. Ensure the switch is in the off-position before connecting to power source and/or battery pack, picking up or carrying the tool.** Carrying machines with your finger on the switch or energising machines that have the switch on invites accidents.
- d) **Remove any adjusting key or wrench before turning the machine on.** A wrench or a key left attached to a rotating part of the machine may result in personal injury.
- e) **Do not overreach. Keep proper footing and balance at all times.** This enables

Personal safety

- a) **Stay alert, watch what you are doing and use common sense when operating a machine. Do not use a machine while you are tired or under the influence of drugs, alcohol**
- b) **Do not overreach. Keep proper footing and balance at all times.** This enables

better control of the machine in unexpected situations.

- f) Dress properly. Do not wear loose clothing or jewellery. Keep your hair and clothing away from moving parts.** Loose clothes, jewellery or long hair can be caught in moving parts.
- g) If devices are provided for the connection of dust extraction and collection facilities, ensure these are connected and properly used.** Use of dust collection can reduce dust-related hazards.
- h) Do not let familiarity gained from frequent use of tools allow you to become complacent and ignore tool safety principles.** A careless action can cause severe injury within a fraction of a second.

Machine use and care

- a) Do not force the machine. Use the correct machine for your application.** The correct machine will do the job better and safer at the rate for which it was

designed.

- b) Do not use the machine if the switch does not turn it on and off.** Any machine that cannot be controlled with the switch is dangerous and must be repaired.
- c) Disconnect the plug from the power source and/or remove the battery pack, if detachable, from the machine before making any adjustments, changing accessories, or storing machines.** Such preventive safety measures reduce the risk of starting the machine accidentally.
- d) Store idle machines out of the reach of children and do not allow persons unfamiliar with the machine or these instructions to operate the machine.** Machines are dangerous in the hands of untrained users.
- e) Maintain machines and accessories. Check for misalignment or binding of moving parts, breakage of parts and any other condition that may affect the machine's operation. If damaged, have the**

machine repaired before use. Many accidents are caused by poorly maintained machines.

- f) Keep cutting tools sharp and clean.** Properly maintained cutting tools with sharp cutting edges are less likely to bind and are easier to control.
- g) Use the machine, accessories and tool bits etc. in accordance with these instructions, taking into account the working conditions and the work to be performed.** Use of the machine for operations different from those intended could result in a hazardous situation.
- h) Keep handles and grasping surfaces dry, clean and free from oil and grease.** Slippery handles and grasping surfaces do not allow for safe handling and control of the tool in unexpected situations.

Service

- a) Have your machine serviced by a qualified repair person using only identical replacement parts.** This will ensure that

the safety of the machine is maintained.

Lawnmower safety warnings

- a) Do not use the lawnmower in bad weather conditions, especially when there is a risk of lightning.** This decreases the risk of being struck by lightning.
- b) Thoroughly inspect the area for wildlife where the lawnmower is to be used.** Wildlife may be injured by the lawnmower during operation.
- c) Thoroughly inspect the area where the lawnmower is to be used and remove all stones, sticks, wires, bones, and other foreign objects.** Thrown objects can cause personal injury.
- d) Before using the lawnmower, always visually inspect to see that the blade and the blade assembly are not worn or damaged.** Worn or damaged parts increase the risk of injury.
- e) Before use, check the supply cord and any extension cord for signs of damage or aging. Do not use the lawnmower if the**

cord is damaged or worn. If the cord is damaged or worn during use, switch off the lawnmower and do not touch the cord before disconnecting it from the supply. A damaged supply cord or extension cord may result in electric shock, fire and/or serious injury.

- f) Check the grass catcher frequently for wear or deterioration.** A worn or damaged grass catcher may increase the risk of personal injury.
- g) Keep guards in place. Guards must be in working order and be properly mounted.** A guard that is loose, damaged, or is not functioning correctly may result in personal injury.
- h) Keep all cooling air inlets clear of debris.** Blocked air inlets and debris may result in overheating or risk of fire.
- i) While operating the lawnmower, always wear non-slip and protective footwear. Do not operate the lawnmower when barefoot or wearing open sandals.** This reduces the chance of injury to the


feet from contact with the moving blade.

- j) While operating the lawnmower, always wear long trousers.** Exposed skin increases the likelihood of injury from thrown objects.
- k) Do not operate the lawnmower in wet grass. Walk, never run.** This reduces the risk of slipping and falling which may result in personal injury.
- l) Do not operate the lawnmower on excessively steep slopes.** This reduces the risk of loss of control, slipping and falling which may result in personal injury.
- m) When working on slopes, always be sure of your footing, always work across the face of slopes, never up or down and exercise extreme caution when changing direction.** This reduces the risk of loss of control, slipping and falling which may result in personal injury.
- n) Use extreme caution when reversing or pulling the lawnmower towards you. Always be aware of your**

surroundings. This reduces the risk of tripping during operation.

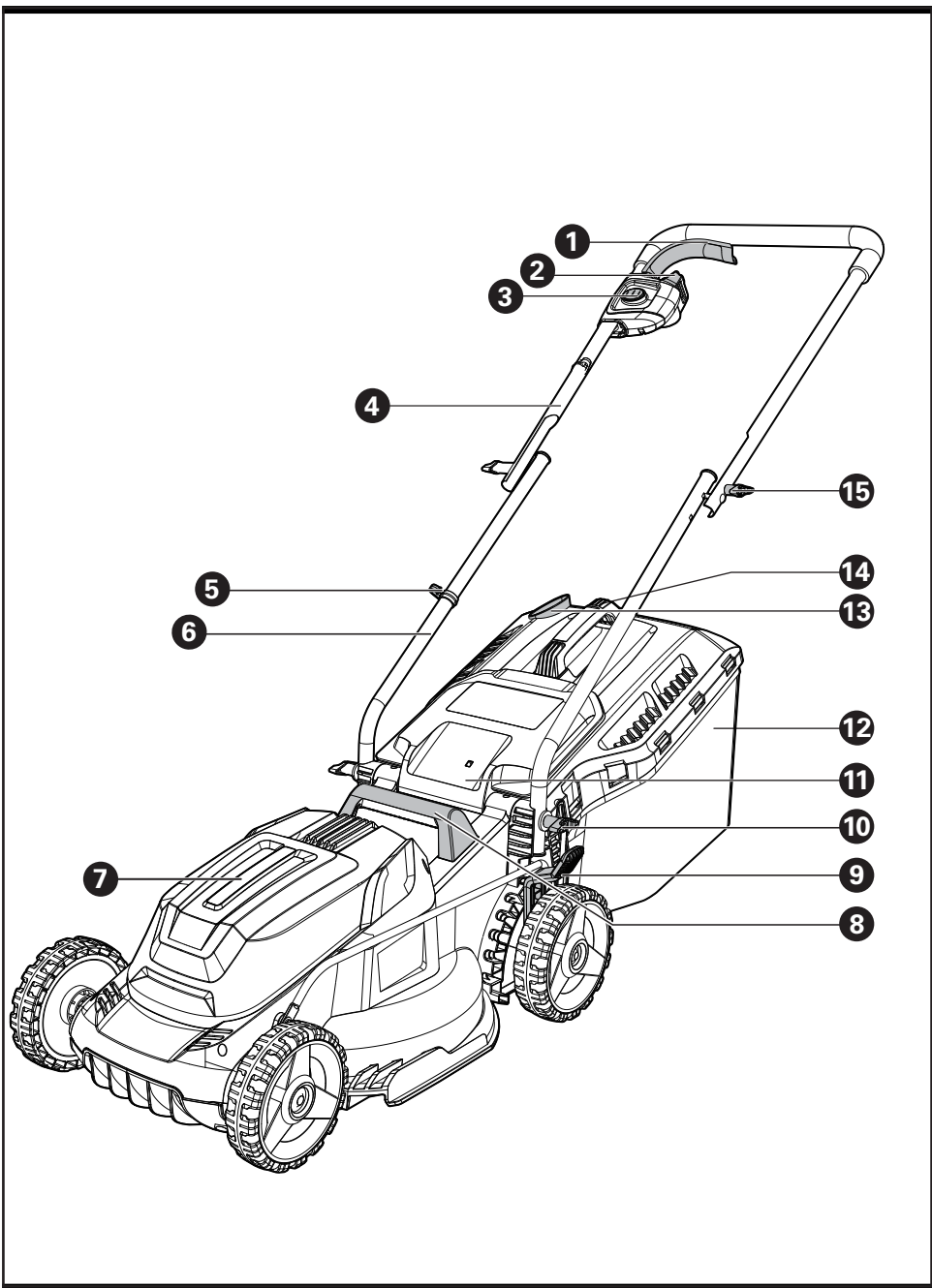
- o) Keep the supply cord away from the cutting blades.** A damaged supply cord may result in electric shock, fire and/or serious injury.
- p) Switch off and remove plug from mains if the cord is entangled or damaged.** Entangled or damaged cords can increase the risk of electric shock.
- q) Do not touch blades and other hazardous moving parts while they are still in motion.** This reduces the risk of injury from moving parts.
- r) When clearing jammed material or cleaning the lawnmower, make sure all power switches are off and the power cord is disconnected.** Unexpected operation of the lawnmower may result in serious personal injury.
- s) Recommendation for the use of a residual current device with a tripping current of 30 mA or less.**

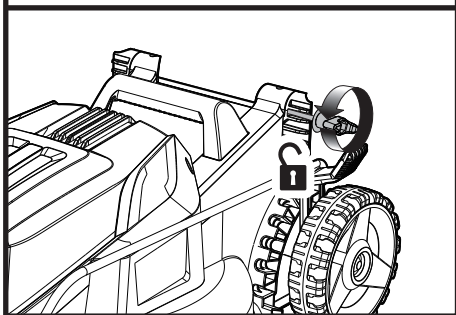
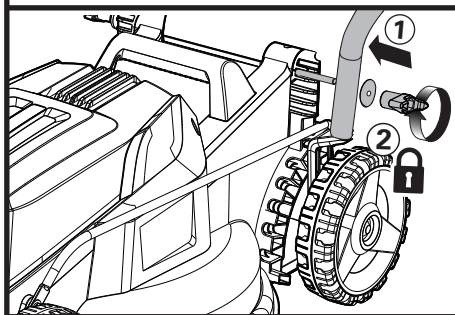
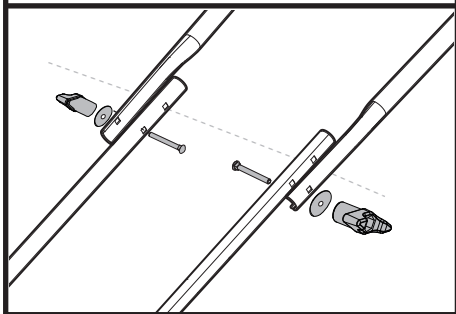
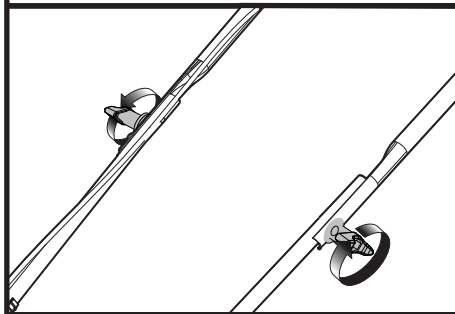
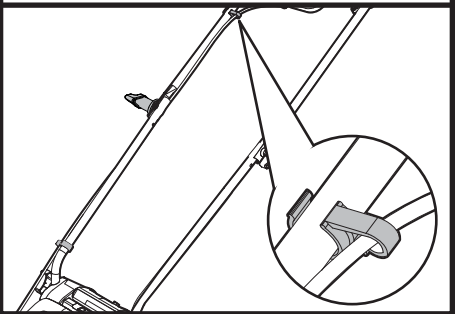
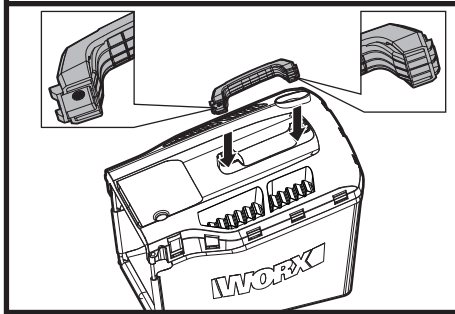
SYMBOLS

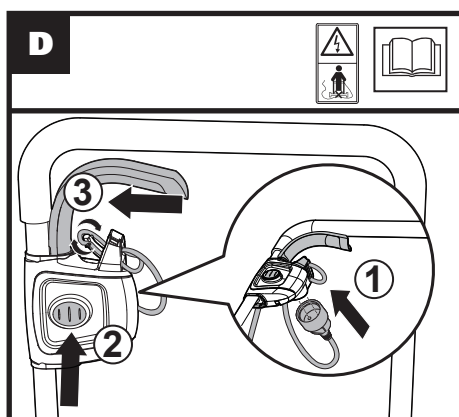
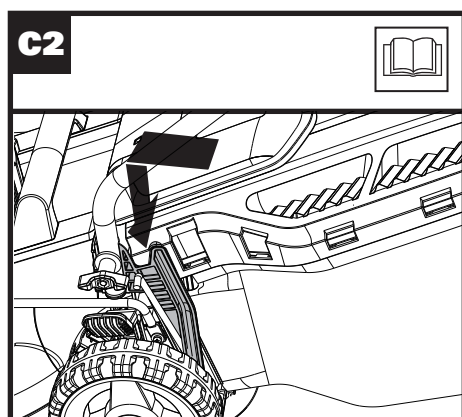
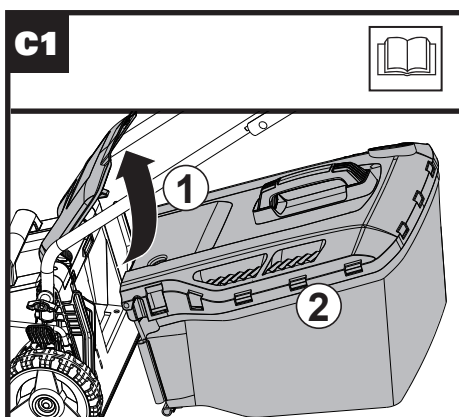
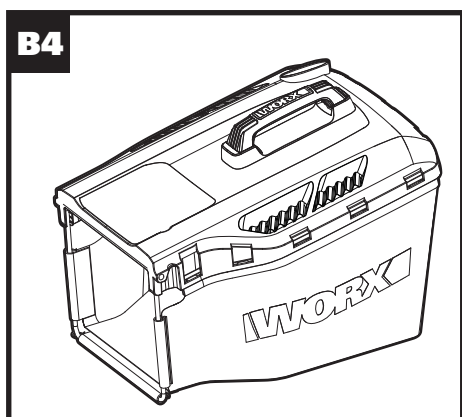
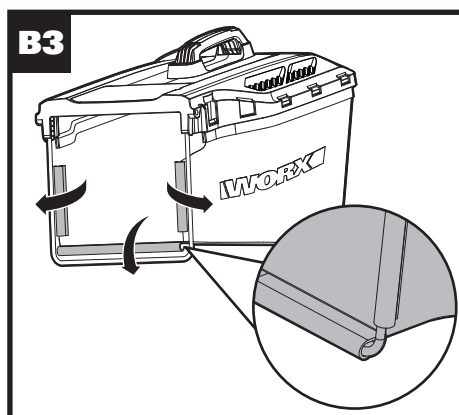
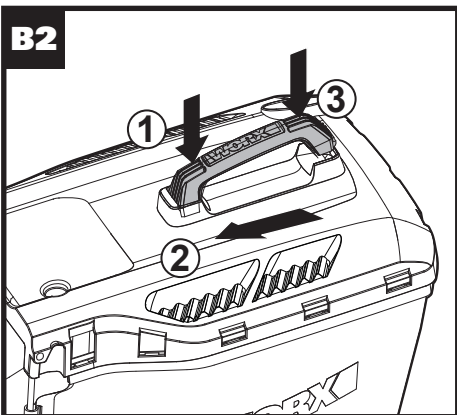
	To reduce the risk of injury, user must read instruction manual
	WARNING – Beware of thrown objects – keep bystanders away
	WARNING – Remove plug from mains before maintenance or if cord is damaged
	WARNING – Keep hands and feet away from the blades
	Blade continues to rotate after the machine is switched off. Wait until all machine components have completely stopped before touching them.
	Wear protective gloves
	Double insulation
	WARNING – Keep the supply cord away from the blades

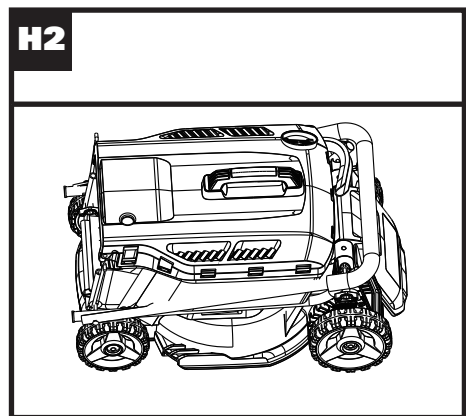
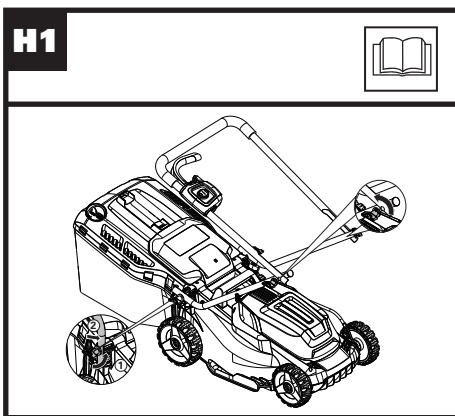
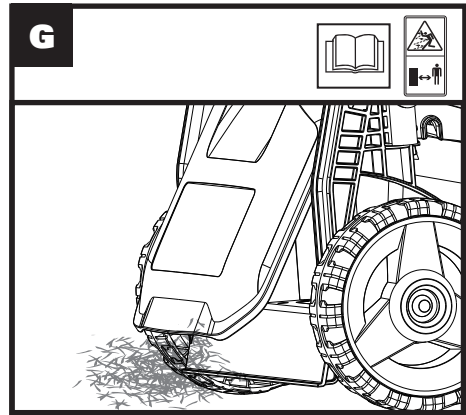
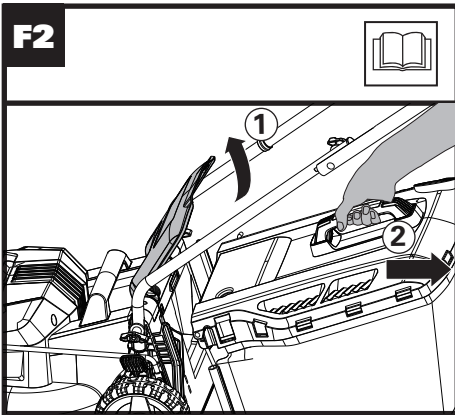
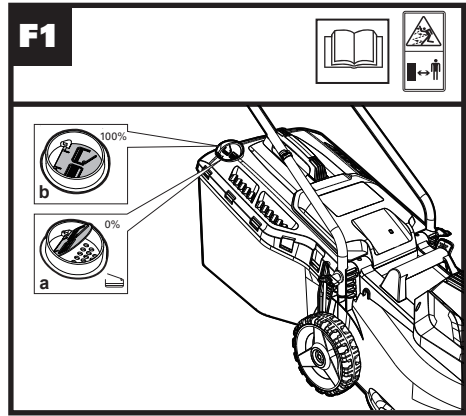
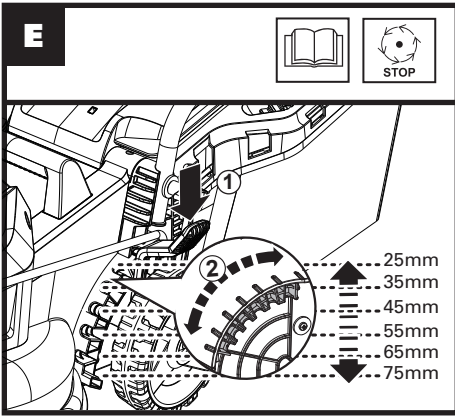


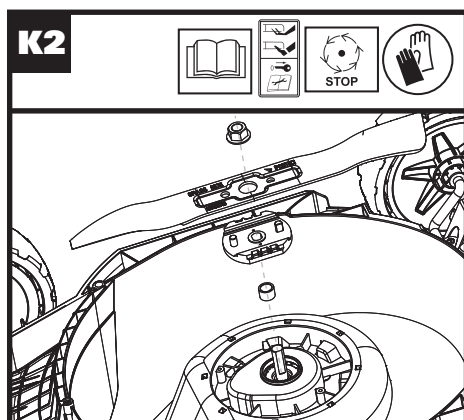
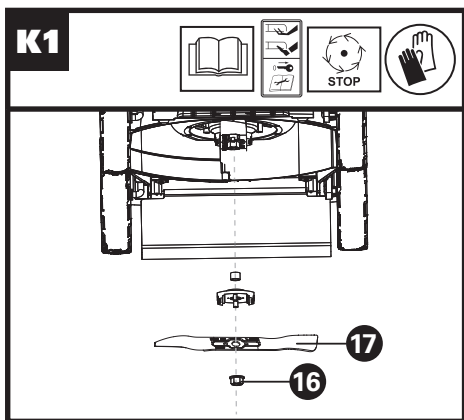
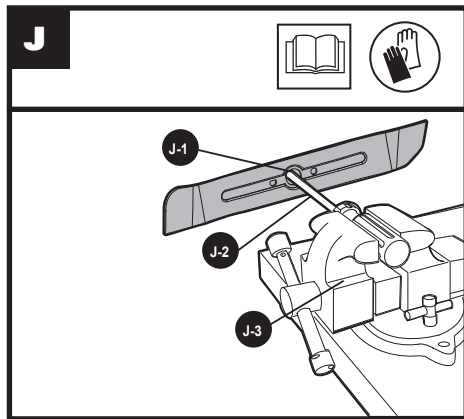
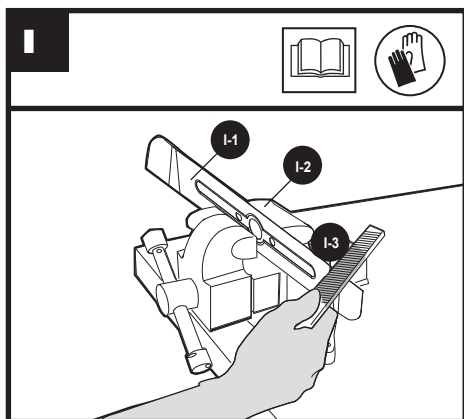
Waste electrical products must not be disposed of with household waste. Please recycle where facilities exist. Check with your local authorities or retailer for recycling advice.



A1**A2****A3****A4****A5****B1**







2.COMPONENT LIST

1.	SWITCH LEVER
2.	CABLE HOOK
3.	SAFETY BUTTON
4.	UPPER HANDLE
5.	CABLE CLIP
6.	LOWER HANDLE
7.	MOTOR COVER
8.	CARRY HANDLE
9.	CUTTING HEIGHT ADJUSTMENT KNOB
10.	HANDLE KNOB, LOWER
11.	SAFETY FLAP
12.	GRASS COLLECTION BAG
13.	GRASS BAG INDICATOR
14.	BAG HANDLE
15.	HANDLE KNOB, UPPER
16.	BLADE BOLT (SEE FIG. K1)
17.	BLADE (SEE FIG. K1)

*Not all the accessories illustrated or described are included in standard delivery.

3.TECHNICAL DATA

Type **WG713E WG713E.X (7 - designation of machinery, representative of Lawn Mower)**

	WG713E WG713E.X*
Rated voltage	230 V-240 V~50/60 HZ
No load speed	3800 /min
Cutting diameter	34 cm
Cutting height	25-75 mm
Cutting height positions	6
Front wheel diameter	140 mm
Rear wheel diameter	160 mm
Grass collection capacity	30 L
Machine Weight	13.2 kg

*X=1-999, A-Z, M1-M9 there are only used for different customers, there are no safe relevant changes between these models.

We recommend that you purchase your accessories from the same store that sold you the tool. Refer to the accessory packaging for further details. Store personnel can assist you and offer advice.

NOISE INFORMATION

A weighted sound pressure L_{pA} :87.6 dB(A)
 K_{pA} :3.0 dB(A)

A weighted sound power L_{wA} :89 dB(A)

Wear ear protection.



VIBRATION INFORMATION

Vibration total values (triax vector sum) determined according to EN 62841:

Vibration emission value:	$a_h < 2.5 \text{ m/s}^2$
	Uncertainty $K=1.5 \text{ m/s}^2$



The vibration emission value during actual use of the machine can differ from the declared value depending on the ways in which the tool is used dependant on the following examples and other variations on how the tool is used:

How the tool is used and the materials being cut or drilled.

The tool being in good condition and well maintained Using the correct accessory for the tool and ensuring it is sharp and in good condition.

The tightness of the grip on the handles and if any anti vibration accessories are used.

And the tool is being used as intended by its design and these instructions.

This tool may cause hand-arm vibration syndrome if its use is not adequately managed



WARNING: To be accurate, an estimation of exposure level in the actual conditions of use should also take account of all parts of the operating cycle such as the times when the tool is switched off and when it is running idle but not actually doing the job. This may significantly reduce the exposure level over the total working period.

Helping to minimise your vibration exposure risk.

ALWAYS use sharp chisels, drills and blades Maintain this tool in accordance with these instructions and keep well lubricated (where

Electric lawn mower WG713E WG713E.X

appropriate)
 If the tool is to be used regularly then invest in anti vibration accessories.
 Plan your work schedule to spread any high vibration tool use across a number of days.

4. INTENDED USE

This product is intended for domestic lawn mowing.





5. OPERATION INSTRUCTION



NOTE: Read instruction handbook before operation this machine.

ASSEMBLY AND OPERATION

ACTION	FIGURE
ASSEMBLY	
Assembling the handle bar NOTE: Choose one of the two holes in the lower handle for desired handle's height.	See Fig. A1, A2, A3, A4
Assembling grass collection bag	See Fig. B1, B2, B3, B4
Fitting grass collection bag to the lawn mower NOTE: Depress the grass collection bag slightly to ensure that it is completely installed.	See Fig. C1, C2
OPERATION	
For strain relief of the cable, form a loop at the end of the extension cable. Hitch the extension cable around the power cord hook. Pull the cable back to secure. Starting & stopping STARTING Connect the male plug into the power wire and switch ON. With one hand press and hold the Safety Button, with the other hand squeeze the Switch Lever towards the handle, and release the Safety Button. The machine is now started; wait until the product is at full speed before cutting the grass. Then use your hand to hold the Switch Lever to keep it running. STOPPING Release the switch lever.	See Fig. D

Adjusting the cutting height  WARNING! Stop, release switch lever and wait until the motor stops before adjusting height. The blades continue to rotate after the machine is switched off, a rotating blade can cause injury. Do not touch rotating blades.	See Fig. E
Grass bag filling indicator Empty status: flap floats (a)  Fully status: flap falls down (b) 	See Fig. F1
Removing/emptying grass collection bag  WARNING! Always check the safety flap close the discharge outlet before using. Never lift the safety flap when the lawn mower is being used without fitted grass collection bag.	See Fig. F2
Rear discharge	See Fig. G
STORAGE	See Fig. H1, H2

MOWING TIPS

NOTE: ALWAYS INSPECT AREA WHERE MOWER IS TO BE USED AND REMOVE ALL STONES, STICKS, WIRE, METAL AND OTHER DEBRIS WHICH MIGHT BE THROWN BY THE ROTATING BLADE.

- For cutting convenience, it may be best to start mowing at a point close to the power supply and to work your way away from the supply. Mow the lawn at a right angle from the power supply and place the power cable to side which has already been cut.
- Mow across the face of slopes, never up-and-down. Exercise extreme caution when changing direction on slopes. Do not mow excessively steep slopes. Always maintain good footing.
- Release switch lever to turn mower "OFF" when crossing any graveled area (stones can be thrown by the blade).
- Set mower at highest cutting height when mowing in rough ground or in tall weeds. Removing too much grass at one time can cause circuit breaker to trip, which stops mower.
- If a grass bag is used during the fast growing season, the grass may tend to clog up at the discharge opening. Release switch lever to turn mower "OFF" Remove the grass bag and shake

the grass down to the back end of the bag. Also clean out any grass or debris which may be packed around the discharge opening. Replace the grass collection bag.

- If mower should start to vibrate abnormally and you will hear a change in the motor sound, release switch lever to turn mower "OFF". Check immediately for cause. Vibration is a warning of trouble. Do not operate mower until a service check has been made.
- ALWAYS RELEASE SWITCH LEVER TO TURN MOWER "OFF" WHEN LEAVING IT UNATTENDED EVEN FOR A SHORT PERIOD OF TIME.**

6. MAINTENANCE



WARNING: Stop the mower and unplug the tool before performing any maintenance.

NOTE: To ensure long and reliable service, perform the following maintenance procedures regularly. Check for obvious defects such as a loose, dislodged or a damaged blade, loose fittings, and worn or damaged components. Check that the covers and guards are all undamaged and are correctly attached to mower. Carry out any necessary maintenance or repairs before operating mower. If the mower should happen to fail despite regular maintenance, please call our customer helpline for advice.

BLADE SHARPENING

KEEP BLADE SHARP FOR BEST MOWER PERFORMANCE.

WEAR PROPER EYE PROTECTION WHILE REMOVING, SHARPENING, AND INSTALLING BLADE. ENSURE THAT THE MOWER IS TURNED OFF.

Sharpening the blade twice during a mowing season is usually sufficient under normal circumstances. Sand causes the blade to dull quickly. If your lawn has sandy soil, more frequent sharpening may be required.

REPLACE BENT OR DAMAGED BLADE IMMEDIATELY.

(A056014300 is available for replacement)

WHEN SHARPENING THE BLADE:

- Make sure blade remains balanced.
- Sharpen blade at the original cutting angle.
- Sharpen cutting edges on both ends of blade, removing equal amounts of material from both ends.

NOTE: Be sure the mower is turned off.

TO SHARPEN BLADE IN A VISE (SEE Fig. I)

- Be sure the switch lever is released, the blade has stopped and the the mower is turned off before

removing the blade.

- Remove blade from mower. See instructions for removing and attaching blade.
- Secure blade I-1 in a vise I-2.
- Wear safety glasses and be careful not to cut yourself.
- Carefully file the cutting edges of the blade with a fine tooth file I-3 or sharpening stone.
- Check balance of blade. See instructions for blade balancing.
- Replace blade on mower and tighten securely. Refer to instructions below.

BLADE BALANCING (SEE Fig. J)

Check balance of blade by placing center hole in blade J-1 over a nail or screwdriver shank J-2, clamped horizontally in a vise J-3. If either end of the blade rotates downward, file that end. Blade is properly balanced when neither end drops.

BLADE MAINTENANCE (See Fig. K1, K2)

Renew your metal blade after 50 hours mowing or 2 years, whichever is the sooner-regardless of condition.

Follow these procedures to remove and replace the blade. You will need garden gloves (not provided) and a spanner wrench (not provided) to remove the blade. Hold the blade (17) and unscrew the blade bolt (16) counter-clockwise using a spanner wrench, and then remove blade.

To re-assemble, position the blade (17) with the cutting edges towards the ground. Then securely tighten the blade bolt (16).

STORAGE (See Fig. H1, H2)

Stop the mower and unplug the tool. Clean the exterior of the machine thoroughly using a soft brush and cloth. Do not use water, solvents or polishes. Remove all grass and debris, especially from the ventilation slots.

Turn the machine on its side and clean the blade area. If grass cuttings are compacted in the blade area, remove with a wooden or plastic implement. Store the machine in a dry place. Do not place other objects on top of the machine.

To aid storage, release the handle knob, and fold the upper handle as shown in Fig. H1

7. TROUBLESHOOTING

Problem	Solution
1. Mower doesn't run when switch lever is activated.	<p>A. Check to make sure that the safety button is being completely pushed.</p> <p>B. Release Switch Lever to turn mower off. Turn mower over and check that blade is free to turn. If not free, return to an authorized servicer. Blade should turn freely.</p> <p>C. Check to make sure the mower is turned off. Inspect the socket, use another one if damaged. Check the extension cable, return the mower to an authorized service center if damaged.</p>
2. Motor stops while mowing.	<p>A. Release Bail handle to turn mower off. Turn mower over and check that blade is free to turn. If not free, return to an authorized servicer. Blade should turn freely.</p> <p>B. Raise cutting height of wheels to highest position and start mower.</p> <p>C. Avoid overloading the mower. Slow down the cutting pace by pushing mower slower or raise the cut height. Or both.</p>
3. Machine functions intermittently	<p>A. Inspect the extension cable, replace if damaged</p> <p>B. Check machine's internal wiring, return the mower to an authorized service center if damaged.</p>
4. Mower runs but cutting performance is unsatisfactory, or does not cut entire lawn.	<p>A. Release Switch Lever to turn mower off. Turn mower over and check: Blade for sharpness - Keep blade sharp. Deck and discharge chute for clogging.</p> <p>B. Wheel height adjustment may be set too low for grass condition. Raise cutting height.</p>
5. Mower is too hard to push.	<p>A. Raise cutting height to reduce deck drag on grass. Check each wheel for free rotation.</p>
6. Mower is abnormally noisy and vibrates.	<p>A. Release Switch Lever to turn mower off. Turn mower on side and check blade to ensure it has not been bent or damaged. If blade is damaged, replace with a replacement blade. If the underside of the deck is damaged return mower to an Authorized service center.</p> <p>B. If there is no visible damage to the blade and the mower still vibrates: Release Switch Lever to turn mower off, remove blade. Rotate blade 180 degrees and retighten. If mower still vibrates, return the mower to an authorized service center.</p>
7. Mower not picking up clippings with the Grass Collection Bag.	<p>A. Remove mulch plate when bagging.</p> <p>B. Chute clogged. Release Switch Lever to turn mower off. Clear chute of grass clippings.</p> <p>C. Too much cut grass. Raise cutting height of wheels to shorten length of the cut.</p> <p>D. Bag full. Empty bag more often.</p>
8. When mulching there are clippings visible.	<p>A. Too much cut grass. Raise cutting height of wheels to shorten length of the cut. Do not cut off more than 1/3 of total length.</p> <p>B. Check blade for sharpness. Always keep blade sharp.</p>

8. ENVIRONMENTAL PROTECTION



Waste electrical products must not be disposed of with household waste. Please recycle where facilities exist. Check with your local authorities or retailer for recycling advice.

9. PLUG REPLACEMENT (UK & IRELAND ONLY)

If you need to replace the fitted plug then follow the instructions below.

IMPORTANT

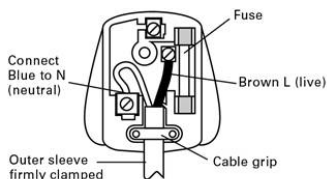
The wires in the mains lead are colored in accordance with the following code:

Blue = Neutral

Brown = Live

As the colors of the wires in the mains lead of this appliance may not correspond with the coloured markings identifying the terminals in your plug, proceed as follows. The wire which is coloured blue must be connected to the terminal which is marked with N. The wire which is coloured brown must be connected to the terminal which is marked with L.

WARNING! Never connect live or neutral wires to the earth terminal of the plug. Only fit an approved BS1363/A plug and the correct rated current fuse which is used in the plug.
Note: If a moulded plug is fitted and has to be removed take great care in disposing of the plug and severed cable, it must be destroyed to prevent engaging into a socket.



10. DECLARATION OF CONFORMITY

We,
Positec Germany GmbH
Postfach 32 02 16, 50796 Cologne, Germany

On behalf of Positec declare that the product
Description **Electric Lawn Mower**
Type **WG713E WG713E.X (7- designation of machinery, representative of Cordless Lawn Mower)**
Function **cutting grass**

Complies with the following Directives,
2006/42/EC
2014/30/EU
2011/65/EU&(EU)2015/863
2000/14/EC amended by 2005/88/EC

2000/14/EC amended by 2005/88/EC:
- Conformity Assessment Procedure as per **Annex VI**
- Measured Sound Power Level **89 dB(A)**
- Declared Guaranteed Sound Power Level **92 dB(A)**

The notified body involved
Name: **AnP Certification Limited**
Address: **2, Parkfield Street Manchester M14 4PN**

Standards conform to,
EN 62841-1, EN 62841-4-3, EN 62233, EN ISO 3744
EN IEC 55014-1, EN IEC 55014-2, EN IEC 61000-3-2, EN 61000-3-3

The person authorized to compile the technical file,
Name **Marcel Filz**
Address **Positec Germany GmbH**
Postfach 32 02 16, 50796 Cologne, Germany



2022/03/23
Allen Ding
Deputy Chief Engineer, Testing & Certification
Positec Technology (China) Co., Ltd.
18, Dongwang Road, Suzhou Industrial
Park, Jiangsu 215123, P. R. China

Electric lawn mower
WG713E WG713E.X

DECLARATION OF CONFORMITY

We,
Positec (UK & Ireland) Ltd,
PO Box 6242, Newbury, RG14 9LT, UK

On behalf of Positec declare that the product
Description **Electric Lawn Mower**
Type **WG713E WG713E.X (7- designation of machinery, representative of Cordless Lawn Mower)**
Function **cutting grass**

Complies with the following regulations:
Supply of Machinery (Safety) Regulations 2008
Electromagnetic Compatibility Regulations 2016
The Restriction of the Use of Certain Hazardous Substances in Electrical and Electronic Equipment Regulations
Noise Emission in the Environment by Equipment for Use Outdoors Regulations

Conformity assessment procedure as per

SCHEDULE 9

Measured Sound Power Level **89 dB(A)**
Declared Guaranteed Sound Power Level **92 dB(A)**

The notified body involved

Name: **AnP Certification Limited**
Address: **2, Parkfield Street Manchester M14 4PN**

Standards conform to

BS EN 62841-1, BS IEC EN 62841-4-3, BS EN 62233, BS EN ISO 3744, BS EN IEC 55014-1, BS EN IEC 55014-2, BS EN IEC 61000-3-2, BS EN 61000-3-3

The person authorized to compile the technical file,

Name: **Jim Kirkwood**
Address **Positec (UK & Ireland) Ltd,**
PO Box 6242, Newbury, RG14 9LT, UK



2022/03/23

Allen Ding

Deputy Chief Engineer, Testing & Certification

Positec Technology (China) Co., Ltd

18, Dongwang Road, Suzhou Industrial

Park, Jiangsu 215123, P. R. China

WORX
it's your nature

www.worx.com

Copyright © 2022, Positec. All Rights Reserved.