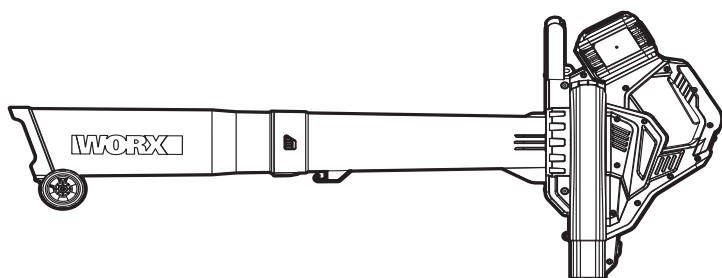
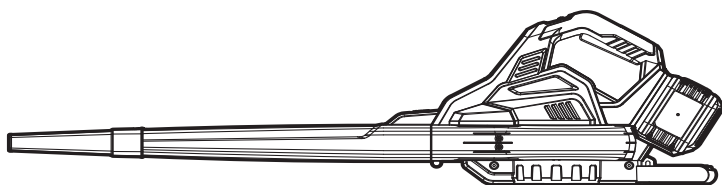


WORX



SAFETY AND OPERATING MANUAL ORIGINAL INSTRUCTIONS

**Cordless Blower/Vac/Mulcher
WG583E WG583E.X**

PRODUCT SAFETY



WARNING Read all safety warnings and all instructions. *Failure to follow the warnings and instructions may result in electric shock, fire and/or serious injury.*

Save all warnings and instructions for future reference.

The appliance is only to be used with the power supply unit provided with the appliance.

**IMPORTANT
READ CAREFULLY BEFORE
USE.**

**KEEP FOR FUTURE
REFERENCE.**

Safe operating practices

1) Training

- a) Read the instructions carefully. Be familiar with the controls and the correct use of the machine.
- b) Never allow children, persons with reduced physical, sensory or mental capabilities or lack of experience and knowledge or people unfamiliar with these instructions to use the machine, local regulations may restrict the

age of the operator.

- c) Never operate the machine while people, especially children, or pets are nearby.
- d) Keep in mind, that the operator or user is responsible for accidents or hazards occurring to other people or their property.

2) Preparation

- a) While operating the machine, always wear substantial footwear and long trousers. Do not operate the machine when barefoot or wearing open sandals. Avoid wearing clothing that is loose fitting or that has hanging cords or ties.
- b) Do not wear loose clothing or jewellery that can be drawn into the air inlet. Keep long hair away from the air inlets.
- c) Obtain ear protection and safety glasses. Wear them at all times while operating the machine.
- d) Operate the machine in a recommended position and only on a firm, level surface.
- e) Do not operate the machine on a paved or gravel surface where ejected material

could cause injury.

- f) Before using, always visually inspect to see, that the shredding means, shredding means bolts and other fasteners are secure, the housing is undamaged and that guards and screens are in place. Replace worn or damaged components in sets to preserve balance. Replace damaged or unreadable labels.

3) Operation

- a) Before starting the machine, make certain that the feeding chamber is empty.
- b) Keep your face and body away from the feed intake opening.
- c) Do not allow hands or any other part of the body or clothing inside the feeding chamber, discharge chute, or near any moving part.
- d) Keep proper balance and footing at all times. Do not overreach. Never stand at a higher level than the base of the machine when feeding material into it.
- e) Always stand clear of the discharge zone when

operating this machine.

- f) When feeding material into the machine be extremely careful that pieces of metal, rocks, bottles, cans or other foreign objects are not included.
- g) If the cutting mechanism strikes any foreign objects or if the machine should start making any unusual noise or vibration, immediately shut off the power source and allow the machine to stop. Remove the battery pack from the machine and take the following steps before restarting and operating the machine:
 - i) inspect for damage;
 - ii) replace or repair any damaged parts;
 - iii) check for and tighten any loose parts.
- h) Do not allow processed material to build up in the discharge zone; this may prevent proper discharge and can result in kickback of material through the intake opening.
 - i) If the machine becomes clogged, shut-off the power source and remove the battery pack from the

machine before cleaning debris.

- j) Never operate the machine with defective guards or shields, or without safety devices, for example debris collector in place.
- k) Keep the power source clean of debris and other accumulations to prevent damage to the power source or possible fire.
- l) Do not transport this machine while the power source is running.
- m) Always disconnect the machine from the power supply (e.g. remove the battery pack from the machine)
 - whenever you leave the machine,
 - before clearing blockages or unclogging chute,
 - before checking, cleaning or working on the machine.
- n) Avoid using the machine in bad weather conditions especially when there is a risk of lightning.

4) Maintenance and storage

- a) keep all nuts, bolts and screws tight to be sure the appliance is in safe working condition.

- b) Check the debris collector frequently for wear or deterioration.
- c) Replace worn or damaged parts.
- d) Use only genuine replacement parts and accessories.
- e) Store the machine in a dry place out of the reach of children.
- f) When the machine is stopped for servicing, inspection, or storage, or to change an accessory, shut off the power source, disconnect the machine from the supply and make sure that all moving parts are come to a complete stop. Allow the machine to cool before making any inspections, adjustments, etc. Maintain the machine with care and keep it clean.
- g) Store the machine in a dry place out of the reach of children.
- h) Always allow the machine to cool before storing.
- i) When servicing the shredding means be aware that, even though the power source is switched off due to the interlock feature of the guard, the shredding

- means can still be moved.
- j) Never attempt to override the interlocked feature of the guard.

5) Additional safety instructions for units with bagging attachments

Switch-off the machine before attaching or removing the bag.

GENERAL POWER TOOL SAFETY WARNINGS

 **WARNING: Read all safety warnings and all instructions.** *Failure to follow the warnings and instructions may result in electric shock, fire and/or serious injury.*

Save all warnings and instructions for future reference.

The appliance is only to be used with the power supply unit provided with the appliance.

GENERAL POWER TOOL SAFETY WARNINGS

The term "power tool" in the warnings refers to your mains-operated (corded) power tool or battery-operated (cordless) power tool.

1) Work area safety

a) Keep work area clean and well lit. Cluttered or dark areas invite accidents.

b) Do not operate power tools in explosive atmospheres, such as in the presence of flammable liquids, gases or dust.

Power tools create sparks which may ignite the dust or fumes.

c) Keep children and bystanders away while operating a power tool.

Distractions can cause you to lose control.

2) Electrical safety

a) Power tool plugs must match the outlet. Never modify the plug in any way. Do not use any adapter plugs with earthed (grounded) power tools. Unmodified plugs and matching outlets will reduce risk of electric shock.

b) Avoid body contact with earthed or grounded surfaces, such as pipes, radiators, ranges and refrigerators. There is an increased risk of electric shock if your body is earthed or grounded.

c) Do not expose power tools to rain or wet conditions.

Water entering a power tool will increase the risk of electric shock.

d) Do not abuse the cord.

Never use the cord for carrying, pulling or unplugging the power tool. Keep cord away from heat, oil, sharp edges or moving parts. Damaged or entangled cords increase the risk of electric shock.

e) When operating a power tool outdoors, use an extension cord suitable for outdoor use.

Use of a cord suitable for outdoor use reduces the risk of electric shock.

f) If operating a power tool in a damp location is unavoidable, use a residual current device (RCD) protected supply.

Use of an RCD reduces the risk of electric shock.

3) Personal safety

a) Stay alert, watch what you are doing and use common sense when operating a power tool. Do not use a power tool while you are tired or under the

influence of drugs, alcohol or medication. A moment of inattention while operating power tools may result in serious personal injury.

b) Use personal protective equipment. Always wear eye protection.

Protective equipment such as dust mask, non-skid safety shoes, hard hat, or hearing protection used for appropriate conditions will reduce personal injuries.

c) Prevent unintentional starting. Ensure the switch is in the off-position before connecting to power source and/or battery pack, picking up or carrying the tool.

Carrying power tools with your finger on the switch or energising power tools that have the switch on invites accidents.

d) Remove any adjusting key or wrench before turning the power tool on.

A wrench or a key left attached to a rotating part of the power tool may result in personal injury.

e) Do not overreach. Keep proper footing and balance at all times.

This

enables better control of the power tool in unexpected situations.

f) Dress properly. Do not wear loose clothing or jewellery. Keep your hair, clothing and gloves away from moving parts. Loose clothes, jewellery or long hair can be caught in moving parts.

g) If devices are provided for the connection of dust extraction and collection facilities, ensure these are connected and properly used. Use of these devices can reduce dust-related hazards.

4) Power tool use and care

a) Do not force the power tool. Use the correct power tool for your application. The correct power tool will do the job better and safer at the rate for which it was designed.

b) Do not use the power tool if the switch does not turn it on and off. Any power tool that cannot be controlled with the switch is dangerous and must be repaired.

c) Disconnect the plug from the power source and/

or the battery pack from the power tool before making any adjustments, changing accessories, or storing power tools. Such preventive safety measures reduce the risk of starting the power tool accidentally.

d) Store idle power tools out of the reach of children and do not allow persons unfamiliar with the power tool or these instructions to operate the power tool. Power tools are dangerous in the hands of untrained users.

e) Maintain power tools. Check for misalignment or binding of moving parts, breakage of parts and any other condition that may affect the power tool's operation. If damaged, have the power tool repaired before use. Many accidents are caused by poorly maintained power tools.

f) Keep cutting tools sharp and clean. Properly maintained cutting tools with sharp cutting edges are less likely to bind and are easier to control.

g) Use the power tool, accessories and tool bits

etc. in accordance with these instructions, taking into account the working conditions and the work to be performed. Use of the power tool for operations different from those intended could result in a hazardous situation.

5) Battery tool use and care

- a) Recharge only with the charger specified by the manufacturer.** A charger that is suitable for one type of battery pack may create a risk of fire when used with another battery pack.
- b) Use power tools only with specifically designated battery packs.** Use of any other battery packs may create a risk of injury and fire.
- c) When battery pack is not in use, keep it away from other metal objects, like paper clips, coins, keys, nails, screws or other small metal objects, that can make a connection from one terminal to another.** Shorting the battery terminals together may cause burns or a fire.
- d) Under abusive conditions, liquid may be ejected from**

the battery; avoid contact. If contact accidentally occurs, flush with water. If liquid contacts eyes, additionally seek medical help. Liquid ejected from the battery may cause irritation or burns.

6) Service


- a) Have your power tool serviced by a qualified repair person using only identical replacement parts.** This will ensure that the safety of the power tool is maintained.

ADDITIONAL SAFETY WARNINGS FOR CORDLESS BLOWER VACUUM

- This appliance is not intended for use by persons (including children) with reduced physical, sensory or mental capabilities, or lack of experience and knowledge, unless they have been given supervision or instruction concerning use of the appliance by a person responsible for their safety.
- Children should be supervised to ensure that they do not play with the appliance.

Intended purpose

**Cordless Blower/Vac/Mulcher
WG583E WG583E.X**

 **WARNING!** A garden vacuum-blower is not a wet suction device!

Please avoid the suction of wet materials (leaves and dirt), since this can lead to blockage of the shredder chamber and reduced performance.

The device is designed only for the suction and blowing of dry leaves in private households and as a hobby device in the garden. Any other utilization, which is not explicitly approved in these directions, can lead to damage to the device and represent a serious danger to the user.

-The device **MUST NOT** be employed in areas where there is health endangering dusts or as a wet suction device.

-The device is designed for use by adults. Young people over 16 years may use the device under supervision only.

-The use of the device in the rain or in a humid environment is forbidden.

-The manufacturer is not liable for damage which is caused through inappropriate use or incorrect operation.

NOTE: For the protection of the operator, the device can be

operated only with assembled vacuum tube and collection bag.

NOTE: Do not employ and low power machines for heavy work. **DO NOT** use your device for purposes for which it has not been designed.

 **WARNING:** To reduce the risk of injury, user must read and understand instruction manual.

1) Training

- a) Read the instructions carefully. Be familiar with the controls and the proper use of the appliance;
- b) Never allow children to use the appliance.
- c) Never allow people unfamiliar with these instructions to use the appliance. Local regulations may restrict the age of the operator;
- d) Never operate the appliance while people, especially children, or pets are nearby;
- e) The operator or user is responsible for accidents or hazards occurring to other people or their property.

2) Preparation

- a) While operating the

appliance, always wear substantial footwear and long trousers. Do not operate the equipment when barefoot or wearing open sandals;

b) Do not wear loose clothing or jewellery that can be drawn into the air inlet. Keep long hair away from the air inlets.

c) Wear protective goggles while operating

d) To prevent dust irritation the wearing of a face mask is recommended

e) Never operate the appliance with defective guards or shields, or without safety devices, for example debris collector in place

3) Operation

a) Take off the battery from the appliance,
- when not in use;
- before clearing a blockage;
- before checking, cleaning or working on the appliance;
- if the appliance starts to vibrate abnormally.

b) Operate the appliance only in daylight or in good artificial light.

c) Do not overreach and keep your balance at all times.

d) Always be sure of your footing on slopes.

e) Walk, never run;

f) Keep all cooling air inlets clear of debris.

g) Never blow debris in the direction of bystanders.

h) Do not put hands or feet near or under rotating parts.

4) Maintenance and storage

a) Keep all nuts, bolts and screws tight to be sure the appliance is in safe working condition;

b) Check the debris collector frequently for wear or deterioration

c) Replace worn or damaged parts.

d) Use only genuine replacement parts and accessories.

e) Store the appliance only in a dry place.

BATTERY SAFETY SAFETY WARNINGS FOR BATTERY PACK

a) Do not dismantle, open or shred cells or battery pack.

b) Do not short-circuit a battery pack. Do not store battery packs haphazardly in a box or

drawer where they may short-circuit each other or be short-circuited by conductive materials.

When battery pack is not in use, keep it away from other metal objects, like paper clips, coins, keys, nails, screws or other small metal objects, that can make a connection from one terminal to another. Shorting the battery terminals together may cause burns or a fire.

- c) Do not expose battery pack to heat or fire. Avoid storage in direct sunlight.**
- d) Do not subject battery pack to mechanical shock.**
- e) In the event of battery leaking, do not allow the liquid to come into contact with the skin or eyes. If contact has been made, wash the affected area with copious amounts of water and seek medical advice.**
- f) Keep battery pack clean and dry.**
- g) Wipe the battery pack terminals with a clean dry cloth if they become dirty.**
- h) Battery pack needs to**

be charged before use. Always refer to this instruction and use the correct charging procedure.

- i) Do not maintain battery pack on charge when not in use.**
- j) After extended periods of storage, it may be necessary to charge and discharge the battery pack several times to obtain maximum performance.**
- k) Recharge only with the charger specified by Worx. Do not use any charger other than that specifically provided for use with the equipment.**
- l) Do not use any battery pack which is not designed for use with the equipment.**
- m) Keep battery pack out of the reach of children.**
- n) Retain the original product literature for future reference.**
- o) Remove the battery from the equipment when not in use.**
- p) Dispose of properly.**
- q) Do not mix cells of different manufacture,**

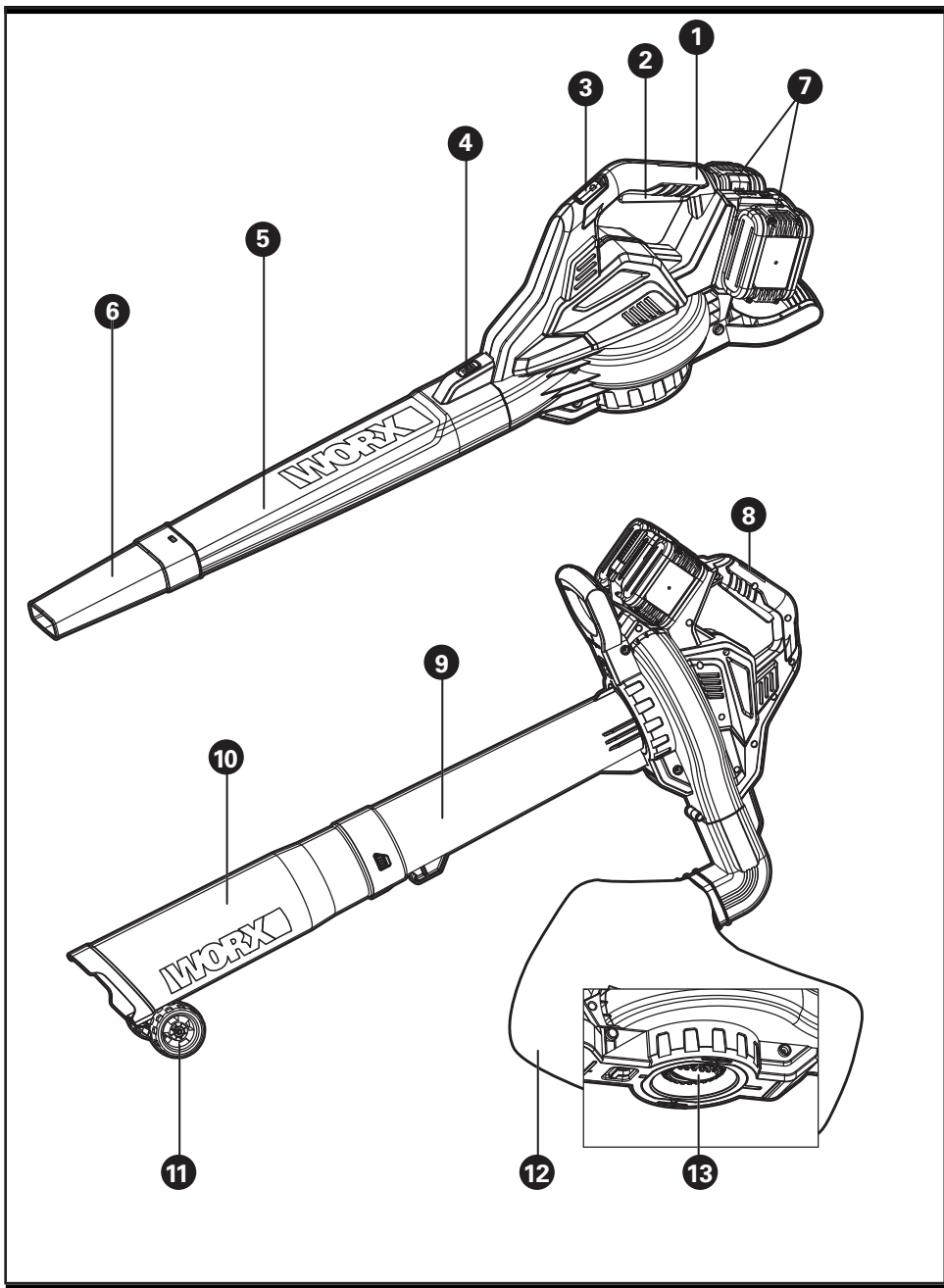
capacity, size or type within a device.

r) Keep the battery away from microwaves and high pressure.

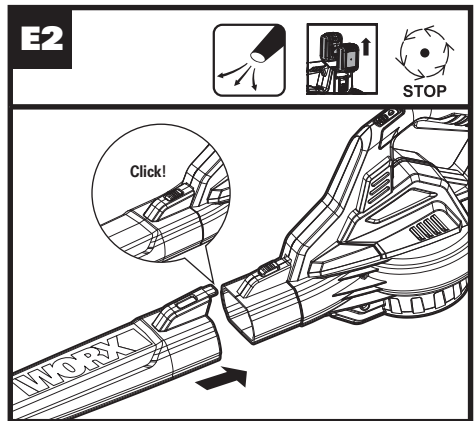
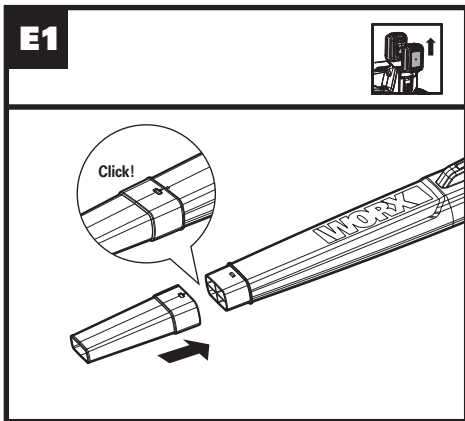
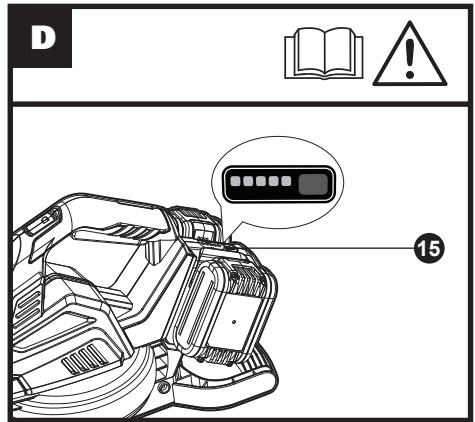
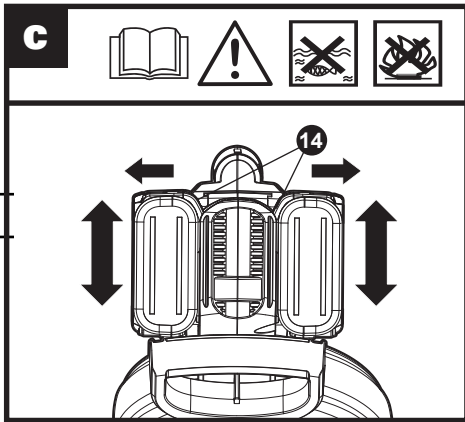
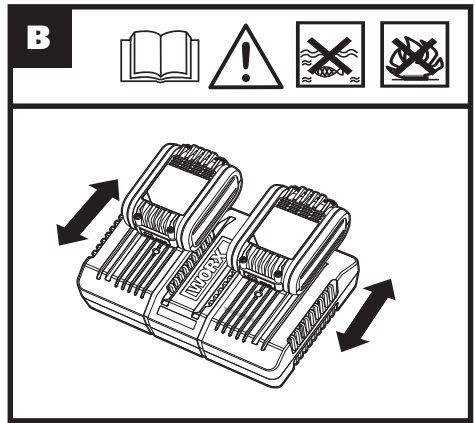
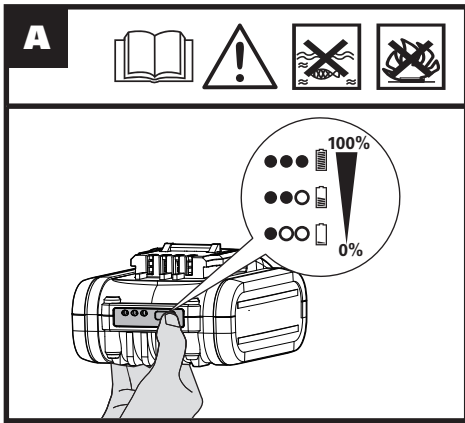
SYMBOL

	Read the operator's manual
	Wear eye protection
	Wear ear protection
	Do not expose to rain
	Warning of hazard
	Keep bystanders away
	Blow mode
	Vacuum mode

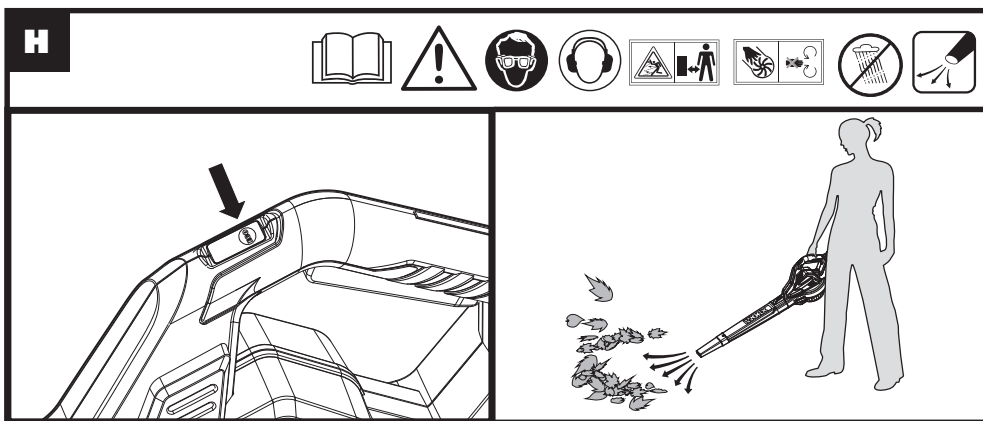
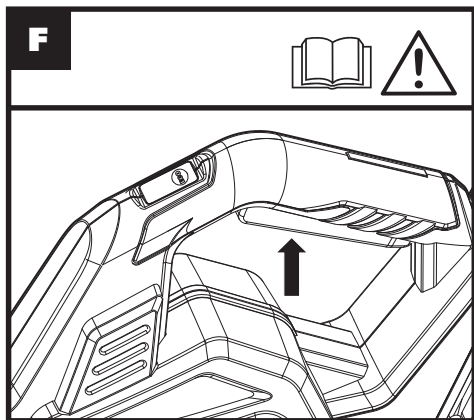
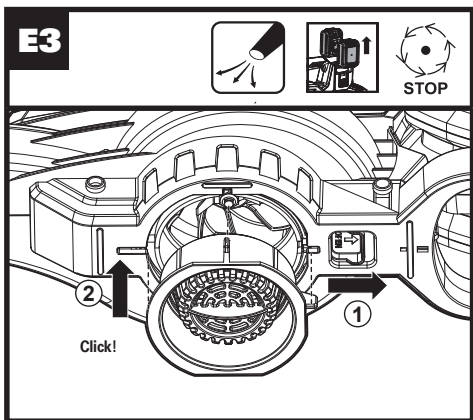
	Impeller continues to rotate after the machine is switched off. Wait until all machine components have completely stopped before touching them.
	Make sure the battery is removed prior to changing accessories.
	Batteries may enter water cycle if disposed improperly, which can be hazardous for ecosystem. Do not dispose of waste batteries as unsorted municipal waste.
	Do not burn
	Li-Ion battery This product has been marked with a symbol relating to 'separate collection' for all battery packs and battery pack. It will then be recycled or dismantled in order to reduce the impact on the environment. Battery packs can be hazardous for the environment and for human health since they contain hazardous substances.
	RCM marking
	ABN: Australian Business Number. By this number, business information such as entity type, status, business location etc. can be found at website http://abr.business.gov.au . ABN of Positec Australia Pty Limited is 14 101 682 357
	Waste electrical products must not be disposed of with household waste. Please recycle where facilities exist. Check with your local authorities or retailer for recycling advice.



**Cordless Blower/Vac/Mulcher
WG583E WG583E.X**



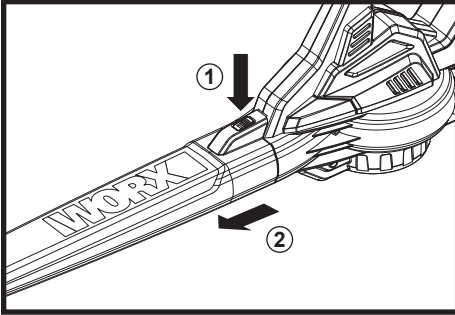
Cordless Blower/Vac/Mulcher WG583E WG583E.X



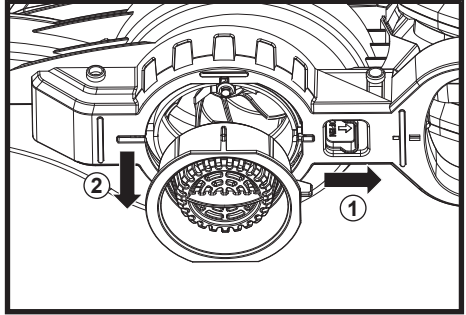
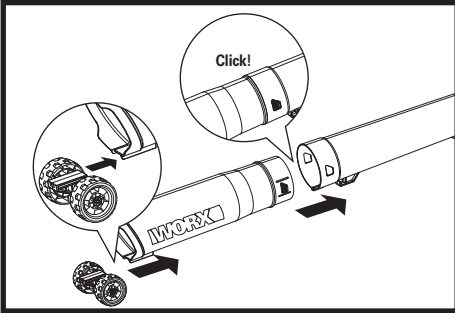
**Cordless Blower/Vac/Mulcher
WG583E WG583E.X**

I1

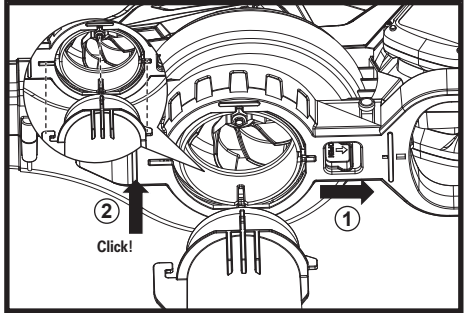
STOP

**I2**

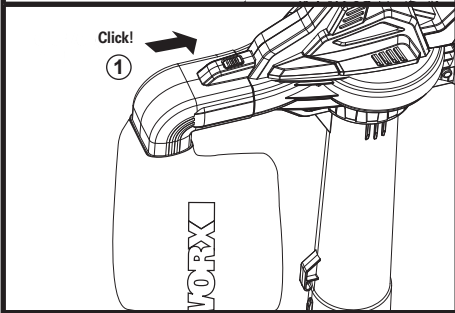
STOP

**J1****J2**

STOP

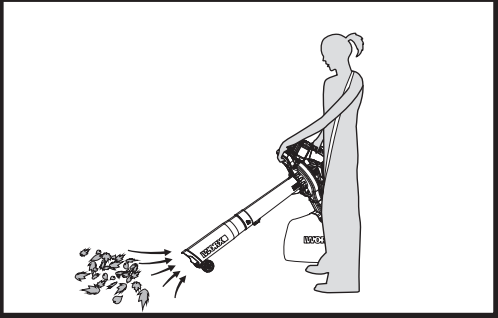
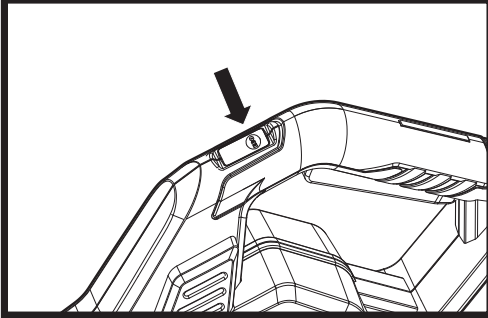
**J3**

STOP

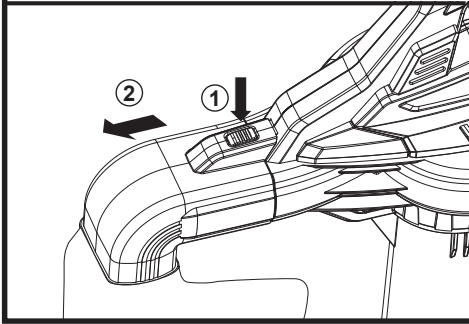


**Cordless Blower/Vac/Mulcher
WG583E WG583E.X**

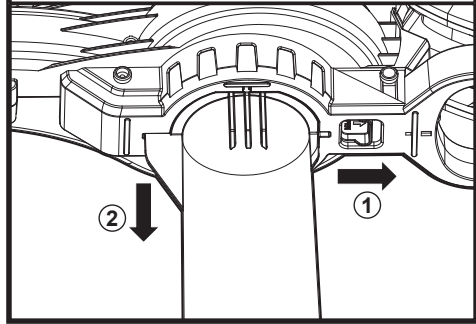
K



L1



L2

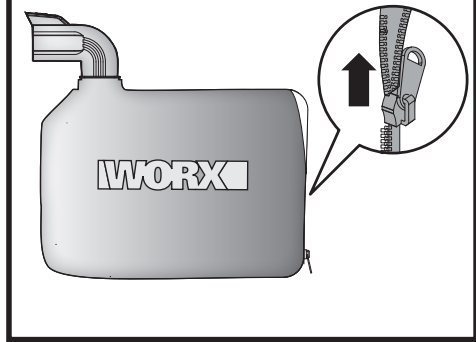


17

M1

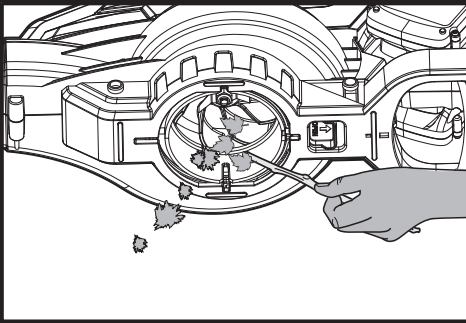


M2



Cordless Blower/Vac/Mulcher WG583E WG583E.X

N




COMPONENT LIST

1.	HANDLE
2.	ON/OFF SWITCH
3.	HIGH/LOW SPEED CONTROL BUTTON
4.	TUBE RELEASE BUTTON
5.	BLOWER TUBE
6.	BLOWER TUBE NOZZLE
7.	BATTERY PACKS*
8.	ANTI-STATIC STRIP
9.	UPPER VACUUM TUBE
10.	LOWER VACUUM TUBE
11.	WHEELS
12.	LEAF COLLECTION BAG
13.	FAN HOUSING COVER
14.	BATTERY PACK RELEASE BUTTON*(SEE FIG. C)
15.	BATTERY INDICATOR LIGHT (SEE FIG. D)

*Not all the accessories illustrated or described are included in standard delivery.

TECHNICAL DATA

Type WG583E WG583E.X (5 - designation of machinery, representative of Cordless Blower)

	WG583E WG583E.X**
Rated voltage	40 V  MAX(2x20 V MAX)***
Blow speed	Max. 335 km/h
Vacuum capacity	Max. 575 m ³ /h
Mulching ratio	12:1
Collection bag capacity	35 L
Machine weight (bare tool)	2.9 kg

** X=1-999, A-Z, M1-M9 there are only used for different customers, there are no safe relevant changes between these models.

*** Voltage measured without workload. Initial battery voltage reaches maximum of 20 volts. Nominal voltage is 18 volts.

SUGGESTED BATTERIES AND CHARGERS

Category	Type	Capacity
20V Battery	WA3553	4.0Ah
20V Charger	WA3883	4.0A

We recommend that you purchase your accessories listed in the above list from the same store that sold you the tool. Refer to the accessory packaging for further details. Store personnel can assist you and offer advice

NOISE INFORMATION

A weighted sound pressure L_{pA} : 84.7 dB(A)

A weighted sound power L_{WA} : 99.7 dB(A)

K_{pA} & K_{WA} : 3.0 dB(A)

Wear ear protection




VIBRATION INFORMATION

Typical weighted vibration a_h < 2.5 m/s²

Uncertainty K=1.5 m/s²

The declared vibration total value may be used for comparing one tool with another, and may also be used in a preliminary assessment of exposure.

 **WARNING:** The vibration emission value during actual use of the power tool can differ from the declared value depending on the ways in which the tool is used dependant on the following examples and other variations on how the tool is used:


How the tool is used and the materials being cut or drilled.

The tool being in good condition and well maintained. Using the correct accessory for the tool and ensuring it is sharp and in good condition.

The tightness of the grip on the handles and if any anti vibration accessories are used.

And the tool is being used as intended by its design and these instructions.

This tool may cause hand-arm vibration syndrome if its use is not adequately managed

 **WARNING:** To be accurate, an estimation of exposure level in the actual conditions of use should also take account of all parts of the operating cycle such as the times when the tool is switched off and when it is running idle but not actually doing the

Cordless Blower/Vac/Mulcher WG583E WG583E.X


job. This may significantly reduce the exposure level over the total working period.
 Helping to minimise your vibration exposure risk. ALWAYS use sharp chisels, drills and blades. Maintain this tool in accordance with these instructions and keep well lubricated (where appropriate). If the tool is to be used regularly then invest in anti vibration accessories.
 Plan your work schedule to spread any high vibration tool use across a number of days.



OPERATION


INTENDED USE:

The blower & Vac is intended for residential use only. Use the blower outdoors to move or vacuum yard debris as needed.

ASSEMBLY AND OPERATION

ACTION	FIGURE
BEFORE OPERATION	
Checking the battery condition NOTE: Fig. A only applies for the battery pack with battery indicator light.	See Fig. A
Charging the battery pack NOTE: <ul style="list-style-type: none"> The batteries are shipped un-charged. Each battery must be fully charged before the first use. Always fully charge the two batteries at same time. More details can be found in charger's manual.  WARNING! The charger and battery pack are specially designed to work together, so do not attempt to use any other devices. Never insert or allow metallic objects into your charger or battery pack connections because of an electrical failure and hazard will occur.	See Fig. B
Installing and Removing the battery pack NOTE: <ul style="list-style-type: none"> This machine will only run when 2 batteries are installed. It is recommended to use the same two batteries and charge the two batteries at the same time. When you use two batteries with different power, the machine will only run to the level of the lowest charged battery 	See Fig.C

Battery indicator light See details in BATTERY STATUS part IMPORTANT: When only one light is illuminated, your battery is overly discharged, even though the machine may still be capable to work. Continuing to operate your machine with the battery in this discharged condition may reduce the life and performance of your battery. When no light is illuminated, at least one battery is not fully installed or battery may be defective, please double check the batteries are fully seated into position.	See Fig. D
OPERATION	
Blow mode	
Assembling the Blower Tube and fan housing cover	See Fig. E1,E2,E3
On/Off Switch  WARNING! The tool runs for a few seconds after it has been switched off. Let the motor come to a complete standstill before setting the tool down.	See Fig. F
Using the Blower USER TIPS - Hold the blow tube approximately 8" above the ground when operating the tool. - Use a sweeping motion from side to side. Advance slowly keeping the accumulated debris/leaves in front of you.  Caution! Do not blow hard objects such as nails, bolts, or rocks.	See Fig.G
Adjusting the blowing speed NOTE: the speed your tool keeps each time you turn it on is the speed when you turned it off last time. If necessary, please readjust the speed.	See Fig.H
Vacuum mode	
Disassembling the blower tube and fan housing cover	See Fig. I1,I2
Assembling the vacuum Tube and wheel	See Fig. J1,J2
Assembling the Leaf Collection Bag	See Fig. J3

On/Off Switch  WARNING! The tool runs for a few seconds after it has been switched off. Let the motor come to a complete standstill before setting the tool down.	See Fig.F
Using the Vacuum NOTE: It is recommended to use high speed for best vacuum performance.	See Fig. K
Disassembling the vacuum Tube and the Leaf Collection Bag	See Fig.L1,L2
Emptying the Leaf Collection Bag	See Fig. M1,M2
Removing Clogged Debris from the Impeller(no tool included) NOTE: Ensure to remove the batteries before attempting to clear any debris.	See Fig. N

Only one light is flashing twice per cycle.	At least one battery is over discharged (please refer to the battery charge condition), please recharge the two batteries at once before use again or storage.
Only one light is flashing three times per cycle.	At least one battery is hot, wait for them cool down before start again.
Only one light is flashing four times per cycle.	The machine is over load. Remove tool from blowing area and try again.

BATTERY STATUS (See Fig. D)

- Before starting or after use, press the button beside the power indicator light on the machine to check the battery capacity.
- During operation, the battery capacity will be indicated automatically by the battery power indicator. The indicator constantly senses and displays the battery condition as follows.
- For the machine with 2 battery packs with different power, the power indicator light displays the battery condition with the lower one of the two batteries.

Battery indicator light status	Battery condition
Five green lights (●●●●●) are illuminated.	The two batteries are in a highly charged condition.
Two, three or four green lights are illuminated.	The two batteries have a remaining charge. The more lights are illuminated, the more battery capacity.
Only one green light (●□□□□) is illuminated.	The battery level of at least one battery pack is very low. Please check and charge the battery pack.
No light is illuminated.	At least one battery is not fully installed or battery may be defective.

STORAGE

Store the Blower/Vacuum indoors, in a cool dry location, out of reach of children and animals.

CLEANING THE TOOL

Clean the tool regularly.



Warning! Keep your product dry. Under no circumstances spray with water.

- **To clean the tool, use only mild soap and a damp cloth.**
- **Do not use any type of detergent, cleaner or solvent which may contain chemicals that could seriously damage the plastic.**

21

ENVIRONMENTAL PROTECTION



Waste electrical products must not be disposed of with household waste. Please recycle where facilities exist. Check with your local authorities or retailer for recycling advice.

Positec Australia Pty Limited
10 Corporate Blvd Bayswater, VIC

3153,Australia

Cordless Blower/Vac/Mulcher
WG583E WG583E.X

DECLARATION OF CONFORMITY

We,
Positec Germany GmbH
Postfach 32 02 16, 50796 Cologne, Germany

On behalf of Positec declare that the product
Description **Battery-operated Blower Vacuum**
Type **WG583E WG583E.X (5-designation of machinery, representative of battery-operated Blower Vacuum)**
Function **blowing and picking up debris into a debris collector**

Complies with the following regulations:
2006/42/EC, 2014/30/EU
2011/65/EU&(EU)2015/863
2000/14/EC amended by 2005/88/EC

2000/14/EC amended by 2005/88/EC:
- Conformity Assessment Procedure as per **Annex V**
- Measured Sound Power Level **99.7 dB(A)**
- Declared Guaranteed Sound Power Level **103 dB(A)**

Standards conform to:
EN 60335-1, EN 50636-2-100, EN 62233,
EN ISO 3744, EN 55014-1, EN 55014-2

The person authorized to compile the technical file,

Name Marcel Filz

Address Positec Germany GmbH
Postfach 32 02 16, 50796 Cologne, Germany



2022/01/27
Allen Ding
Deputy Chief Engineer, Testing & Certification
Positec Technology (China) Co., Ltd
18, Dongwang Road, Suzhou Industrial
Park, Jiangsu 215123, P. R. China

Cordless Blower/Vac/Mulcher
WG583E WG583E.X

DECLARATION OF CONFORMITY

We,
Positec (UK & Ireland) Ltd.
PO Box 6242, Newbury, RG14 9LT, UK

On behalf of Positec declare that the product
Description **Battery-operated Blower Vacuum**
Type **WG583E WG583E.X (5-designation of machinery, representative of battery-operated Blower Vacuum)**
Function **blowing and picking up debris into a debris collector**

Complies with the following regulations:
Supply of Machinery (Safety) Regulations 2008
Electromagnetic Compatibility Regulations 2016
The Restriction of the Use of Certain Hazardous Substances in Electrical and Electronic Equipment Regulations
Noise Emission in the Environment by Equipment for Use Outdoors Regulations
- Conformity Assessment Procedure as per **SCHEDULE 8**
- Measured Sound Power Level **99.7 dB(A)**
- Declared Guaranteed Sound Power Level **103 dB(A)**

Standards conform to:
BS EN 60335-1, BS EN 50636-2-100, BS EN 62233, BS EN ISO 3744, BS EN 55014-1, BS EN 55014-2

The person authorized to compile the technical file,
Name Jim Kirkwood
Address Positec (UK & Ireland) Ltd.,
PO Box 6242, Newbury, RG14 9LT, UK



2022/01/27
Allen Ding
Deputy Chief Engineer, Testing & Certification
Positec Technology (China) Co., Ltd
18, Dongwang Road, Suzhou Industrial
Park, Jiangsu 215123, P. R. China

WORX
it's your nature

www.worx.com

Copyright © 2022, Positec. All Rights Reserved.
V1-UK-WG583E WG583E.X-M-20220617