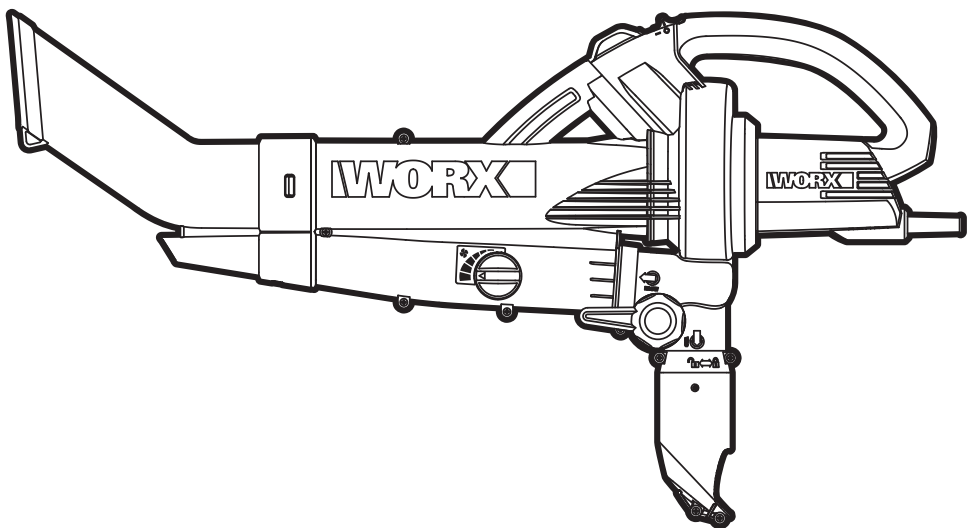
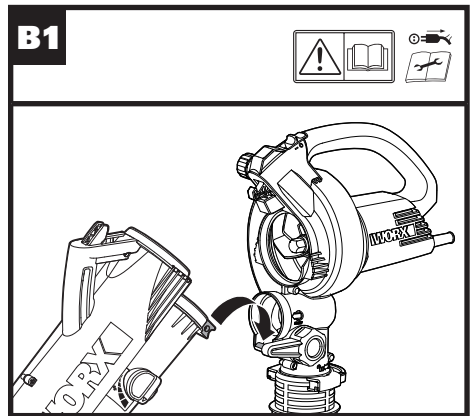
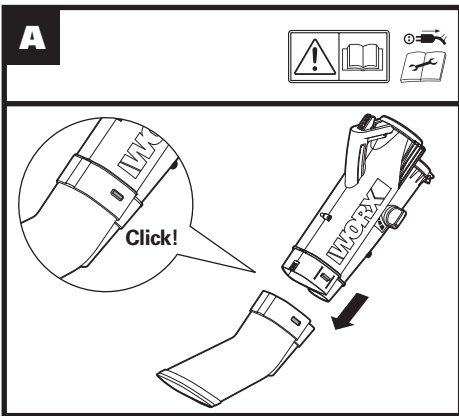
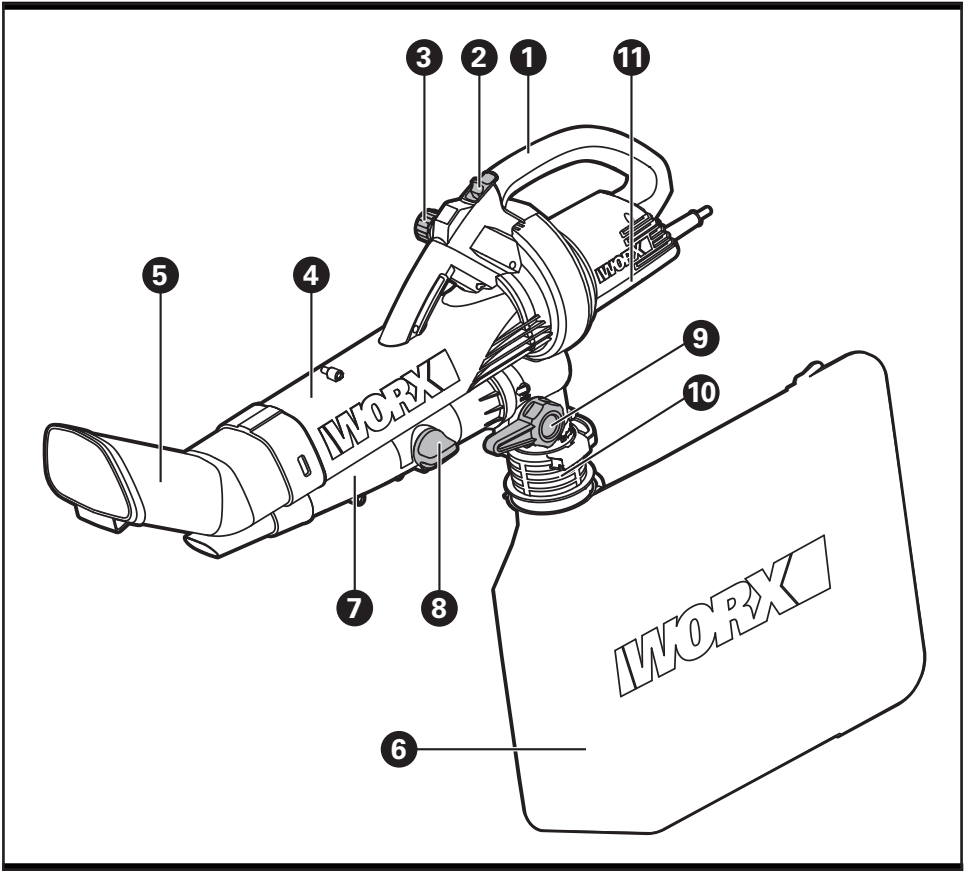


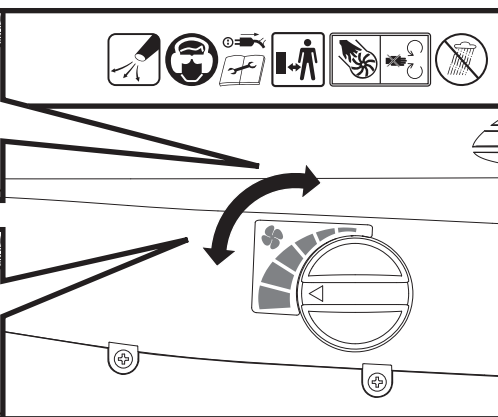
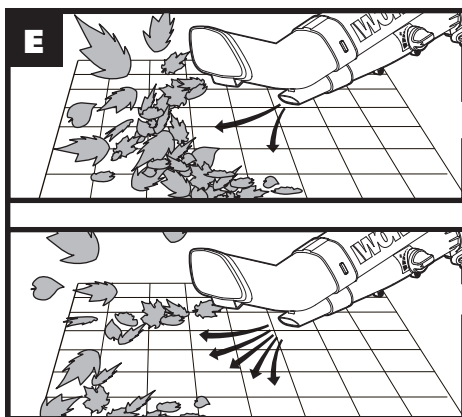
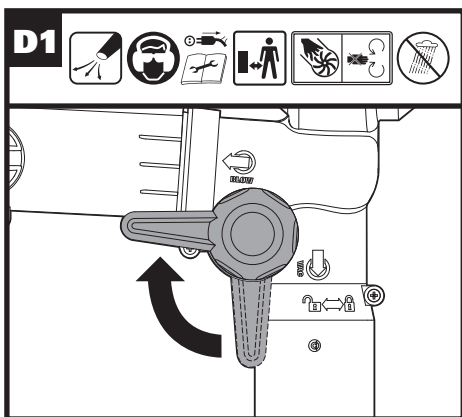
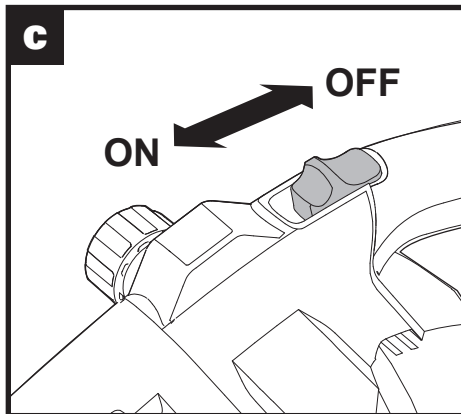
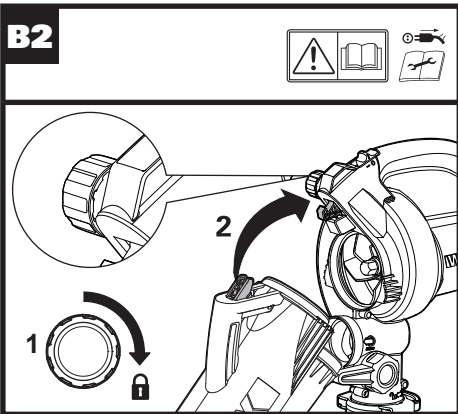
# **WORX**

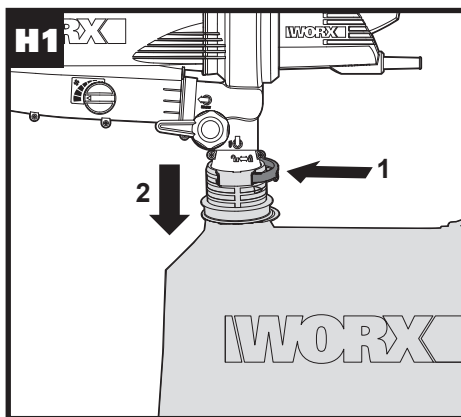
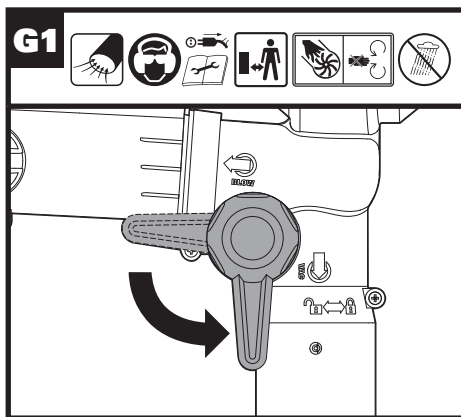
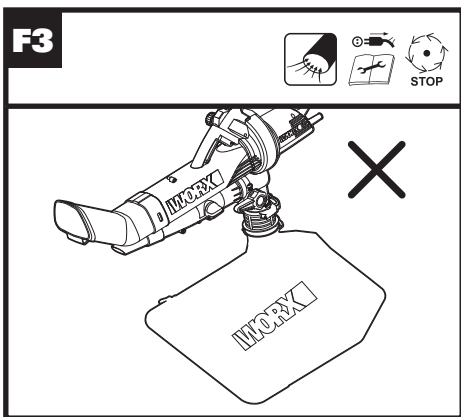
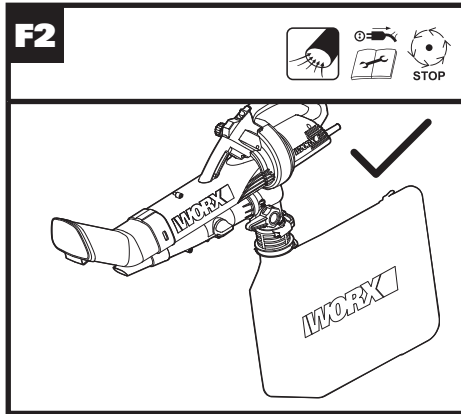
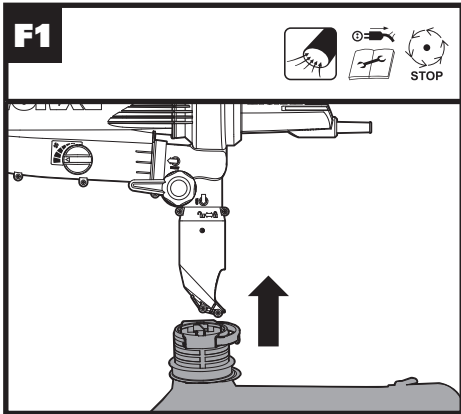


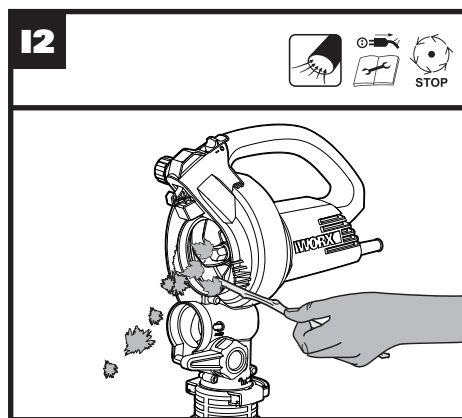
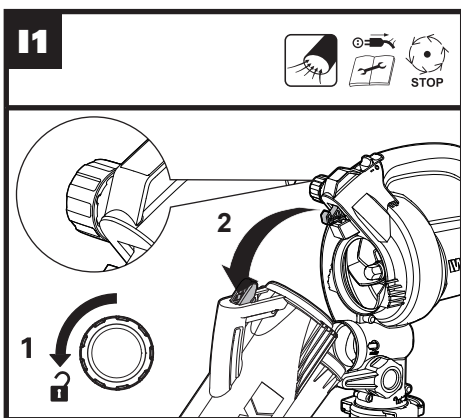
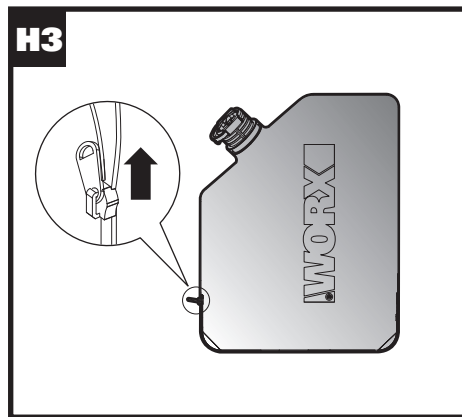
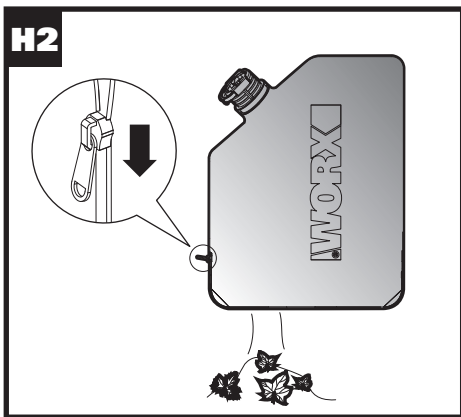
## **SAFETY AND OPERATING MANUAL ORIGINAL INSTRUCTIONS**

**All-in-One blower/vac/mulcher    WG505E**









## **PRODUCT SAFETY**

### **GENERAL SAFETY WARNINGS**

 **WARNING: Read all safety warnings and all instructions.** Failure to follow the warnings and instructions may result in electric shock, fire and/or serious injury.

#### **Save all warnings and instructions for future reference.**

If the supply cord is damaged, it must be replaced by the manufacturer, its service agent or similarly qualified persons in order to avoid a hazard.

#### **IMPORTANT READ CAREFULLY BEFORE USE. KEEP FOR FUTURE REFERENCE.**

#### **Safe operating practices**

##### **1) Training**

- a) Read the instructions carefully. Be familiar with the controls and the correct use of the machine.
- b) Never allow children, persons with reduced physical, sensory or

mental capabilities or lack of experience and knowledge or people unfamiliar with these instructions to use the machine, local regulations may restrict the age of the operator.

- c) Never operate the machine while people, especially children, or pets are nearby.
- d) Keep in mind that the operator or user is responsible for accidents or hazards occurring to other people or their property.

##### **2) Preparation**

- a) While operating the machine, always wear substantial footwear and long trousers. Do not operate the machine when barefoot or wearing open sandals. Avoid wearing clothing that is loose fitting or that has hanging cords or ties.
- b) Do not wear loose clothing or jewellery that can be drawn into the air inlet. Keep long hair away from the air inlets.
- c) Obtain ear protection and

safety glasses. Wear them at all times while operating the machine.

- d) Operate the machine in a recommended position and only on a firm, level surface.
- e) Do not operate the machine on a paved or gravel surface where ejected material could cause injury.
- f) Before using, always visually inspect to see, that the shredding means, shredding means bolts and other fasteners are secure, the housing is undamaged and that guards and screens are in place. Replace worn or damaged components in sets to preserve balance. Replace damaged or unreadable labels.
- g) Before use, check the supply and extension cord for signs of damage or aging. If the cord becomes damaged during use, disconnect the cord from the supply immediately.  
**DO NOT TOUCH  
THE CORD BEFORE  
DISCONNECTING THE**

**SUPPLY.** Do not use the machine if the cord is damaged or worn.

- h) Keep extension cords away from moving hazardous parts to avoid damages to the cords which can lead to contact with live parts.
- i) If an extension cord is used make sure it is for outdoor use and marked as such. The recommended size of extension cord is not lighter than 1mm<sup>2</sup>.

### **3) Operation**

- a) Before starting the machine, make certain that the feeding chamber is empty.
- b) Keep your face and body away from the feed intake opening.
- c) Do not allow hands or any other part of the body or clothing inside the feeding chamber, discharge chute, or near any moving part.
- d) Keep proper balance and footing at all times. Do not overreach. Never stand at a higher level than the base of the

machine when feeding material into it.

- e) Always stand clear of the discharge zone when operating this machine.
- f) When feeding material into the machine be extremely careful that pieces of metal, rocks, bottles, cans or other foreign objects are not included.
- g) If the cutting mechanism strikes any foreign objects or if the machine should start making any unusual noise or vibration, immediately shut off the power source and allow the machine to stop. Disconnect the machine from the supply and take the following steps before restarting and operating the machine:
  - i) inspect for damage;
  - ii) replace or repair any damaged parts;
  - iii) check for and tighten any loose parts.
- h) Do not allow processed material to build up in the discharge zone; this may prevent proper discharge and can result in kickback

of material through the intake opening.

- i) If the machine becomes clogged, shut-off the power source and disconnect the machine from supply before cleaning debris.
- j) Never operate the machine with defective guards or shields, or without safety devices, for example debris collector in place.
- k) Keep the power source clean of debris and other accumulations to prevent damage to the power source or possible fire.
- l) Do not transport this machine while the power source is running.
- m) Stop the machine, and remove plug from the socket. Make sure that all moving parts have come to a complete stop
  - Whenever you leave the machine,
  - Before clearing blockages or unclogging chute,
  - Before checking, cleaning or working on the machine.
- n) Avoid using the machine in bad weather conditions



especially when there is a risk of lightning.

#### **4) Maintenance and storage**

- a) Keep all nuts, bolts and screws tight to be sure the appliance is in safe working condition;
- b) Check the debris collector frequently for wear or deterioration.
- c) Replace worn or damaged parts.
- d) Use only genuine replacement parts and accessories.
- e) Store the machine in a dry place out of the reach of children.
- f) When the machine is stopped for servicing, inspection, or storage, or to change an accessory, shut off the power source, disconnect the machine from the supply and make sure that all moving parts are come to a complete stop. Allow the machine to cool before making any inspections, adjustments, etc. Maintain the machine with care and keep it clean.

- g) Store the machine in a dry place out of the reach of children.
- h) Always allow the machine to cool before storing.
- i) When servicing the shredding means be aware that, even though the power source is switched off due to the interlock feature of the guard, the shredding means can still be moved.
- j) Never attempt to override the interlocked feature of the guard.

#### **5) Additional safety instructions for units with bagging attachments**

Switch-off the machine before attaching or removing the bag.

#### **6) Recommendation**

The machine should be supplied via a residual current device (RCD) with a tripping current of not more than 30mA.

# SYMBOLS

	Read the operator's manual.
	Wear eye protection
	Wear ear protection
	Double insulation
	Disconnect the mains plug if the cord becomes damaged or entangled
	<b>SWITCH OFF:</b> Remove plug from mains before cleaning or maintenance.
	Keep bystanders away
	Warning of hazard
	Do not expose to rain
	Blow mode
	Vacuum mode

	Impeller continues to rotate after the machine is switched off. Wait until all machine components have completely stopped before touching them.
	Lock
	Unlock
	Waste electrical products must not be disposed of with household waste. Please recycle where facilities exist. Check with your local authorities or retailer for recycling advice.

# COMPONENT LIST


- 1. HANDLE**
- 2. ON /OFF SWITCH**
- 3. SAFETY LOCK KNOB**
- 4. UPPER VACUUM TUBE**
- 5. LOWER VACUUM TUBE**
- 6. LEAF COLLECTION BAG**
- 7. BLOWER TUBE**
- 8. VARIABLE BLOWER SPEED KNOB**
- 9. BLOWER/ VACUUM SELECTOR LEVER**
- 10. QUICK RELEASE BAG COLLAR**
- 11. MOTOR HOUSING**

**Not all the accessories illustrated or described are included in standard delivery.**


# TECHNICAL DATA

Type **WG505E**(5-designation of machinery, representative of **Electric Blower Vacuum**)

Voltage	220-240V~50/60Hz
Power input	3000W
No load speed	15000/min
Air capacity	600m <sup>3</sup> /h
Air speed	128-335Km/h

Mulching rate	16:1
Collection bag capacity	45L
Machine Weight	4.1kg
Protection class	

## NOISE DATA

A weighted sound pressure	$L_{pA}$ : 94dB(A)
$K_{pA}$ :	3dB(A)
A weighted sound power	$L_{wA}$ :110dB(A)
Wear ear protection	

## VIBRATION INFORMATION

Typical weighted vibration	$a_h=3.2m/s^2$
Uncertainty	$K=1.5m/s^2$

The declared vibration total value may be used for comparing one tool with another, and may also be used in a preliminary assessment of exposure.

**WARNING!** The vibration emission value during actual use of the power tool can differ from the declared value depending on the ways in which the tool is used dependant on the following examples and other variations on how the tool is used:

How the tool is used and the materials being cut or drilled.

The tool being in good condition and well maintained Using the correct accessory for the tool and ensuring it is sharp and in good condition.

The tightness of the grip on the handles and if any anti vibration accessories are used.

And the tool is being used as intended by its design and these instructions.

### This tool may cause hand-arm vibration syndrome if its use is not adequately managed.

**WARNING!** To be accurate, an estimation of exposure level in the actual conditions of use should also take account of all parts of the operating cycle such as the times when the tool is switched off and when it is running idle but not actually doing the job. This may significantly reduce the exposure level over the total working period.

Helping to minimise your vibration exposure risk. ALWAYS use sharp chisels, drills and blades Maintain this tool in accordance with these instructions and keep well lubricated (where appropriate)

If the tool is to be used regularly then invest in anti vibration accessories.

Plan your work schedule to spread any high

vibration tool use across a number of days.

## ACCESSORIES

### Leaf collection bag

1




We recommend that you purchase your accessories from a Worx authorized dealer or service center. Choose the type according to the work you intend to undertake. Refer to the accessory packaging for further details. Store personnel can assist you and offer advice.

## OPERATION

### INTENDED USE:

The blower & Vac is intended for residential use only. Use the blower outdoors to move or vacuum yard debris as needed.

## ASSEMBLY AND OPERATION

ACTION	FIGURE
<b>Blow mode</b>	
Assembling the Blower/ Vacuum Tube  <b>CAUTION:</b> When assembling the vacuum tube, make sure the safety lock knob is completely tightened firstly, then attach the vacuum tube to the motor housing.	See Fig. A & B1&B2
 <b>CAUTION:</b> Make sure the ON/OFF switch is in the OFF Position before loosening or tightening the safety lock knob.	
Starting & Stopping	See Fig. C
Using the Blower	See Fig. D1 & D2
Adjusting the Blowing Speed	See Fig. E
<b>Vaccuming</b>	
Attaching the Leaf Collection Bag	See Fig. F 1& F2& F3
Starting & Stopping	See Fig. C
Using the Vacuum	See Fig. G1 &G2
Emptying the Leaf Collection Bag	See Fig. H1& H2&H3
Removing Clogged Debris from the Impeller(no tool included)  <b>WARNING:</b> Make sure the ON/OFF switch is in the OFF Position before loosening the safety lock knob.	See Fig. I1&I2

11

## STORAGE

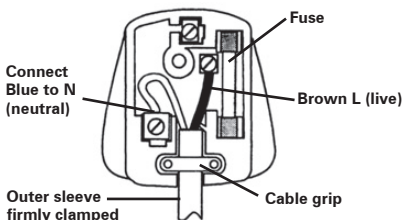
Store the Blower/Vacuum and extension cord indoors, in a cool dry location, out of reach of children and animals.

## TROUBLE SHOOTING

Problems	Possible Causes	Corrective Action
The Blower/Vac does not operate.	The Blower/Vacuum Tube is not attached to the Motor Housing.	Attach the Blower/Vacuum Tube to the Motor Housing.
	Power cord is not connected to the power source.	Connect the power cord to a power source.
The Blower/Vac jammed or clogged.	Debris blocking in the Impeller	Remove clogged debris from the Impeller.
	Debris blocking in the Blower/Vacuum Tube or the connection of the Leaf Collection Bag.	Remove clogged debris from the Blower/Vacuum Tube or the connection of the Leaf Collection Bag.

**WARNING!** Never connect live or neutral wires to the earth terminal of the plug. Only fit an approved BS1363/A plug and the correct rated current fuse which is used in the plug.

**NOTE:** If a moulded plug is fitted and has to be removed take great care in disposing of the plug and severed cable, it must be destroyed to prevent engaging into a socket.



## ENVIRONMENTAL PROTECTION



Waste electrical products must not be disposed of with household waste. Please recycle where facilities exist. Check with your local authorities or retailer for recycling advice.

## PLUG REPLACEMENT(ONLY FOR REWIRABLE PLUG OF UK & IRELAND)

If you need to replace the fitted plug then follow the instructions below.

### IMPORTANT

The wires in the mains lead are colored in accordance with the following code:

**Blue = Neutral**

**Brown = Live**

As the colors of the wires in the mains lead of this appliance may not correspond with the colored markings identifying the terminals in your plug, proceed as follows. The wire which is colored blue must be connected to the terminal which is marked with N. The wire which is colored brown must be connected to the terminal which is marked with L.

# DECLARATION OF CONFORMITY

We,  
Positec Germany GmbH  
Postfach 32 02 16, 50796 Cologne, Germany

On behalf of Positec declare that the product  
Description **Electric Blower Vacuum**  
Type **WG505E (5-designation of machinery, representative of Electric Blower Vacuum)**  
Function **Blowing and picking up debris into a debris collector**

Complies with the following Directives,  
**2006/42/EC, 2014/30/EU,**  
**2011/65/EU&(EU)2015/863,**  
**2000/14/EC amended by 2005/88/EC**

2000/14/EC amended by 2005/88/EC:  
- Conformity Assessment Procedure as per  
**Annex V**  
- Measured Sound Power Level **106.7dB(A)**  
- Declared Guaranteed Sound Power Level  
**110dB(A)**

Standards conform to  
**EN 60335-1**                    **EN 50636-2-100**  
**EN ISO 3744**                **EN 62233**  
**EN 55014-1**                **EN 55014-2**  
**EN IEC 61000-3-2**        **EN 61000-3-3**

The person authorized to compile the technical file,  
**Name Marcel Filz**  
**Address Positec Germany GmbH**  
**Postfach 32 02 16, 50796 Cologne, Germany**



2021/12/31  
Allen Ding  
Deputy Chief Engineer, Testing & Certification  
Positec Technology (China) Co., Ltd  
18, Dongwang Road, Suzhou Industrial  
Park, Jiangsu 215123, P. R. China

# DECLARATION OF CONFORMITY

We,  
Positec (UK & Ireland) Ltd.  
PO Box 6242 Newbury RG14 9LT UK

On behalf of Positec declare that the product  
Description **Electric Blower Vacuum**  
Type **WG505E(5-designation of machinery, representative of Electric Blower Vacuum)**  
Function **Blowing and picking up debris into a debris collector**

Complies with the following regulations,  
**Supply of Machinery (Safety) Regulations 2008**  
**Electromagnetic Compatibility Regulations 2016**

**The Restriction of the Use of Certain Hazardous Substances in Electrical and Electronic Equipment Regulations**  
**Noise Emission in the Environment by Equipment for Use Outdoors Regulations**

- Conformity Assessment Procedure as per **SCHEDULE 8**  
- Measured Sound Power Level **106.7dB(A)**  
- Declared Guaranteed Sound Power Level **110dB(A)**

Standards conform to  
**BS EN 60335-1, BS EN 50636-2-100,**  
**BS EN 62233, BS EN ISO 3744,**  
**BS EN 55014-1, BS EN 55014-2,**  
**BS EN IEC 61000-3-2, BS EN 61000-3-3**

The person authorized to compile the technical file,  
**Name Jim Kirkwood**  
**Address Positec (UK & Ireland) Ltd.,**  
**PO Box 6242 Newbury RG14 9LT UK**



**UK**  
**CA**

2021/12/31  
Allen Ding  
Deputy Chief Engineer, Testing & Certification  
Positec Technology (China) Co., Ltd  
18, Dongwang Road, Suzhou Industrial  
Park, Jiangsu 215123, P. R. China





#### **After-sales Service and Application**

At [www.worx.com](http://www.worx.com) you can order spare parts or arrange the collection of a product in need of servicing or repair.

Tel. Service: 0345 202 9679

E-Mail: [customerservices@worxtools.com](mailto:customerservices@worxtools.com)

**[www.worx.com](http://www.worx.com)**

Copyright © 2021, Positec. All Rights Reserved.  
AR01265104