

Installation Instruction

Fittings and parts checklist:



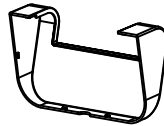
Plastic plug
(X5)



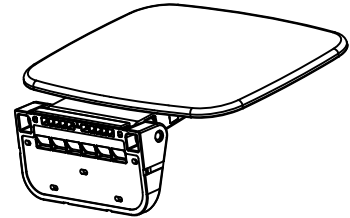
Washer
(X5)



Screw bolt
(X5)

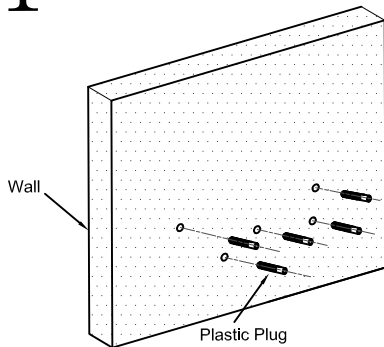


Base cover(Chromed ABS)
(X1)



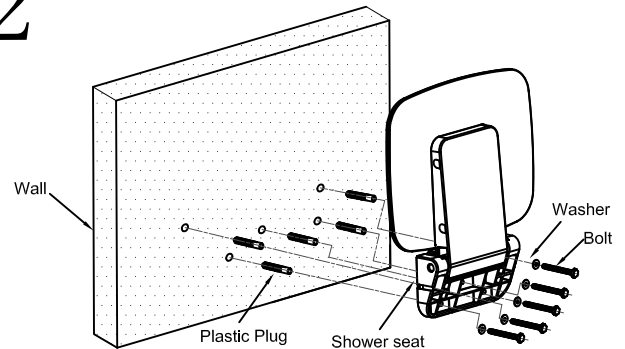
Shower seat
(X1)

1



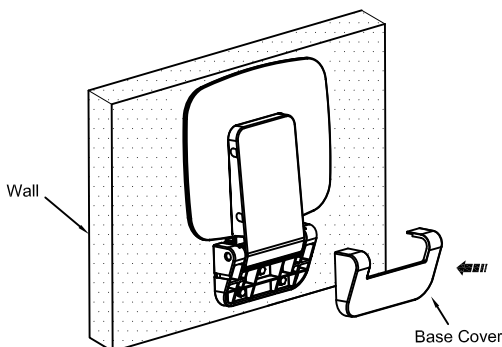
1. Measure the 5 fixing position on the shower seat. Drill 5 holes in the wall horizontally according to the fixing position. Insert 5 plastic plugs into the holes drilled in the wall.

2



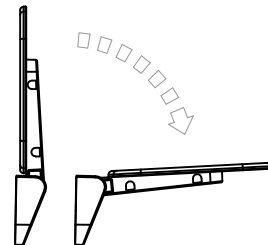
2. Slip the stainless steel bolt into the washer. Line up the holes in the wall and the fixing position on the shower seat and tighten the stainless steel bolts with screwdriver.

3



3. Install the base cover to the shower base.

4



4. Lay down the shower seat in use and gently lift it against the wall after use.