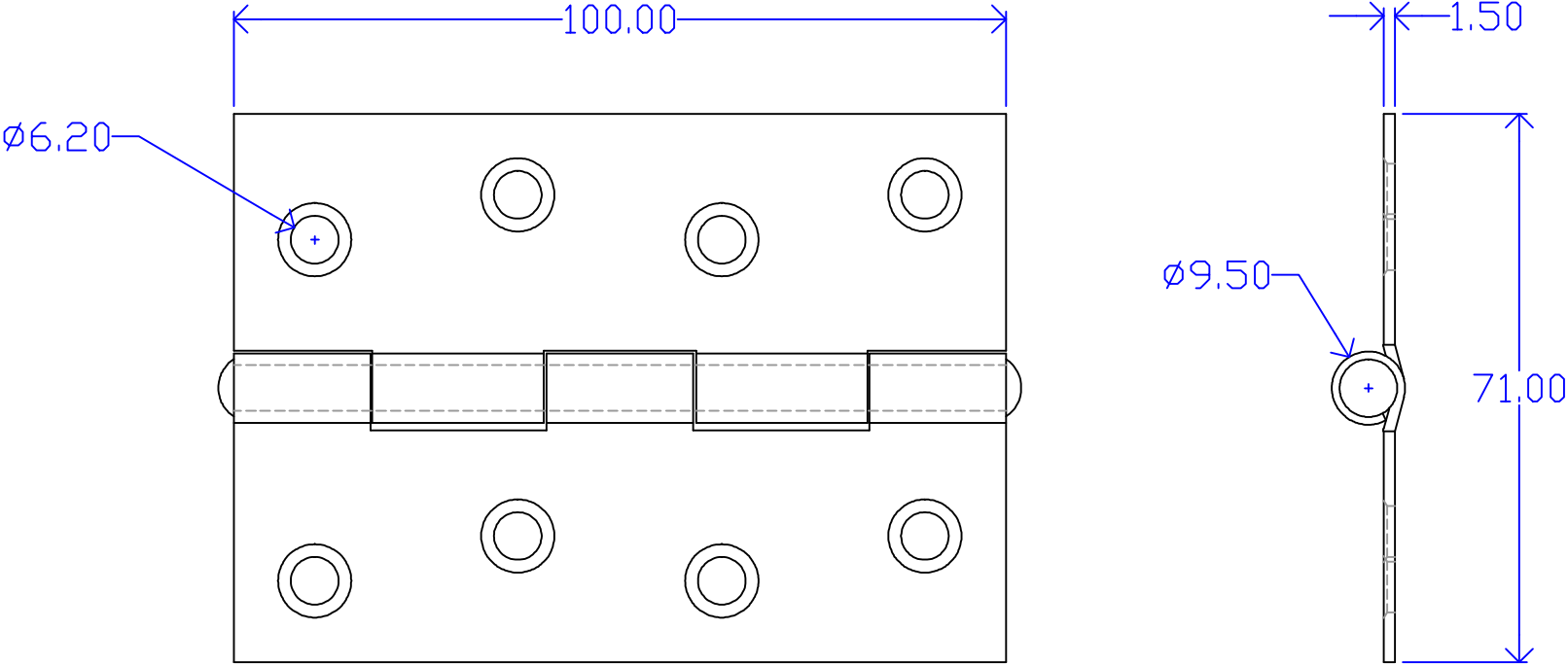


PRODUCT SPECIFICATION (2D VIEW)



All copyrights are reserved. It is strictly forbidden to reproduce partially or totally or to disclose or made available in any manner this project and any details related to it to third parties.

www.mascotmetal.com

MASCOT METAL MANUFACTURERS			*This drawing CANCELS and REPLACES any other previous one*
DESCRIPTION:- SMITH AND LOCKE 100MM POLISHED CHROME FIXED PIN HINGE X2		CODE:- SFXLOCALHINGE23	
FINISH:-CP	TOL:-±0.5mm	THICKNESS TOL:±0.1mm	DRAWN BY:- NAVNIDH
WEIGHT:- 0.236Kgs. (±5%)		CONTROLLED BY:-	
MATERIAL:- CARBON STEEL		APPROVED BY:-	
SCALE: NOT TO SCALE	ALL DIMENSIONS ARE IN MM	DATE:- 06/08/2022	