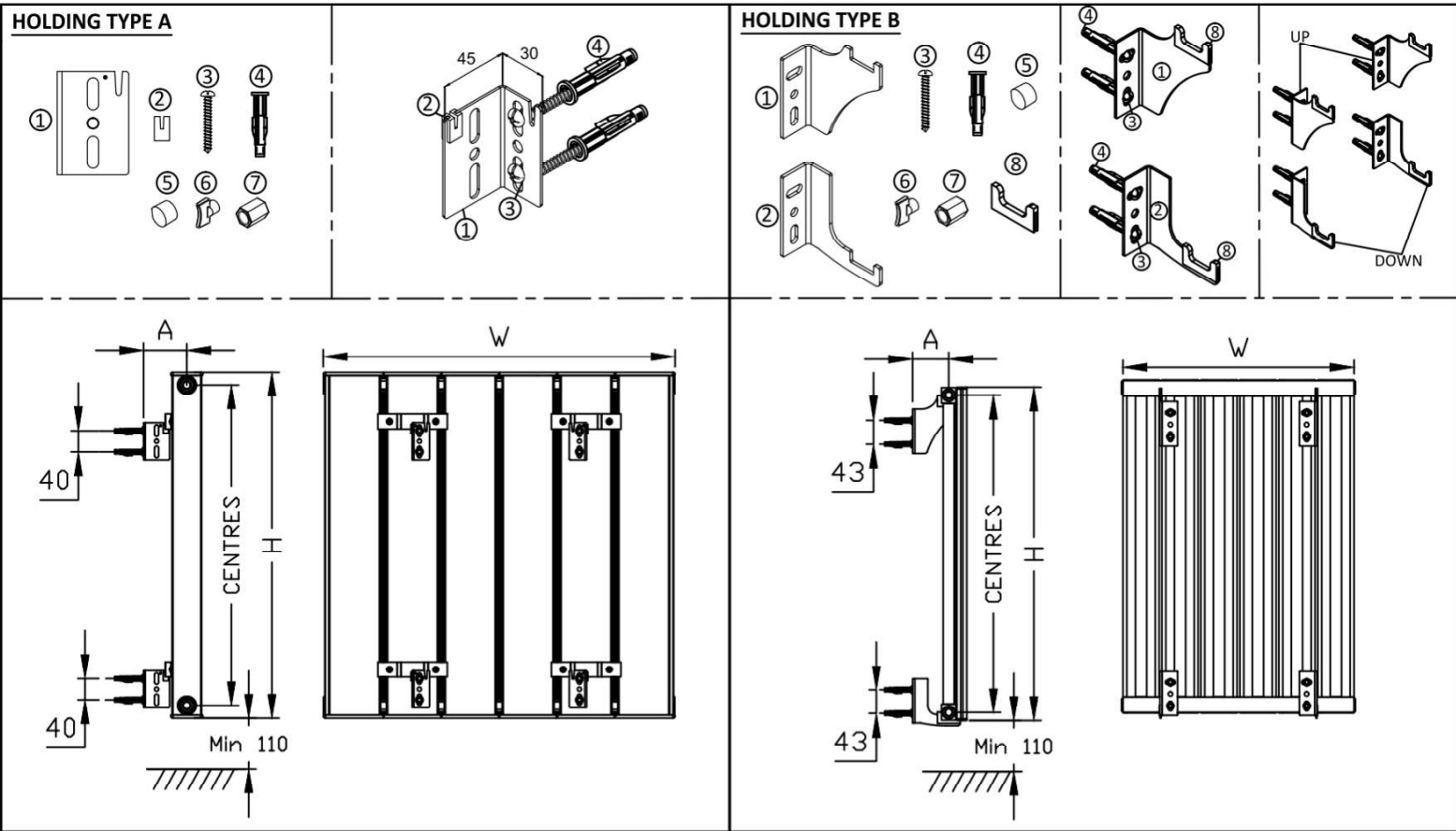


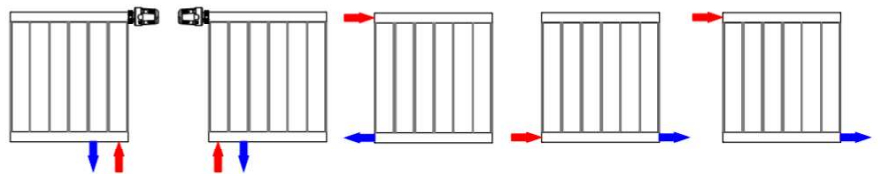
Mount the radiator and the flow diverter as shown:



DIMENSION TABLE

MODEL (SEE PACKAGING)	A	CENTRES	HOLDING TYPE
DLE/EDW/VIE	65 mm	H-30 mm	B
DEL/RAM/BER	65 mm	H-30 mm	B
ARI/HAR/MAD	75 mm	H-45 mm	A

PIPE CONNECTION TYPES



ISSUES TO PAY ATTENTION PRIOR TO ASSEMBLY

The Aluminium Radiators shall be assembled and commissioned by expert persons with experience in aluminum radiator in compliance with the principles specified in the assembly guide and standards related to installation principles in heating systems. Prior to mounting the radiators to the installation, make relevant checks and cleaning or have these made, in order to make sure that there is no construction debris or chemical substance in the heating device as well as overall installation. Debris or chemicals that are present in the heating device or installation may clog the water canals of the radiator or may damage the water canals of the radiator. Damages to be caused by chemicals or debris shall be outside the warranty scope. Pressure reducer shall be used in installations where water input pressure is higher than 10 bars. Problems that occur from not using pressure reducer shall be excluded from warranty scope.

The system shall be grounded against electricity leakage. The product shall be excluded from warranty scope of there is no grounding.

Check that hot water input - output connections to the radiator are correct. Ways of connection not in compliance with installation rules shall prevent the operation of your radiator.

Mount your radiator without removing from its nylon packaging. Remove the protective nylon before use after all modification and painting works are completed. (Initial commissioning operation could be performed while the protective nylon is on). The radiators can be easily mounted to the wall with the help of consoles. Radiator valve connections are G 1/2". Radiator valves to be used shall be chromium or nicked coated. All elements required for assembly are inside the packaging.

ISSUES TO PAY ATTENTION DURING ASSEMBLY

Locate the radiators on the consoles by means of the hanger elements at the back.

Make sure that the radiators is at scale after being placed on the console. If there is any slope in the radiator, some slices may not heat up, preventing operation with full efficiency.

ISSUES TO PAY ATTENTION DURING AND AFTER COMMISSIONING

DO NEVER USE WELL WATER in your system (even if for testing the heat system).

Using well water, water with hardness over 25 Fr and pH value outside the 6,5 - 8 interval (with acidic or basic character) shall exclude the product from warranty.

After the assembly is completed, perform initial water filling to the installation and after a water circulation of 5 minutes, make sure that you evacuate all water and remove all construction and installation debris.

Fill the installation with water, heat the radiators, and evacuate the air of radiators using the air relief clock at the corner of the radiator. Repeat the air evacuation process in a few following heating. If the radiator sounds as if water is flowing inside, this means that air is trapped in. In this case repeat the air evacuation process.

Do not add any chemical substance (inhibitor, anti-freeze, pH regulator, anti-calcification and anti-bacterial agent, chemicals claimed to increase radiator efficiency etc.) which is not approved in writing. Otherwise the radiators will be excluded from warranty scope.

System (or combi boiler) filter shall be checked as certain intervals, and any clogging shall be cleaned. If the filter is clogged, the efficiency will decrease since there will not be sufficient amount of water circulation in the radiators.

Take relevant measures in order to prevent freezing of water in the installation. Freezing of the water will damage the radiator and damage caused by the freezing water will be excluded from warranty.

Do never clean your radiator with a hard cleaning materials that leave marks. Do not use any chemical such as bleach, hydrochloric acid etc., and clean with a wet and soft cloth.

Chemicals and corrosive substances will damage the paint or eloxal layer on the radiator. Damages to occur in this way are excluded from warranty.