

Milwaukee[®]

Nothing but **HEAVY DUTY**.[®]



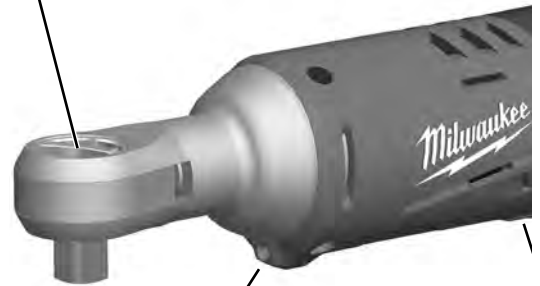
M12 IR

Original instructions

Important!

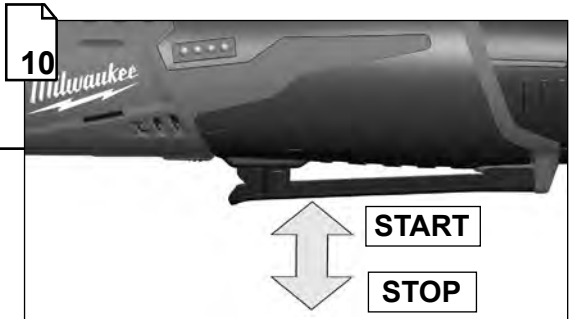
It is essential that you read the instructions in this manual before operating this machine.

Subject to technical modifications.





Remove the battery pack before starting any maintenance work on the tool.





Remove the battery pack before starting any maintenance work on the tool.

1



2

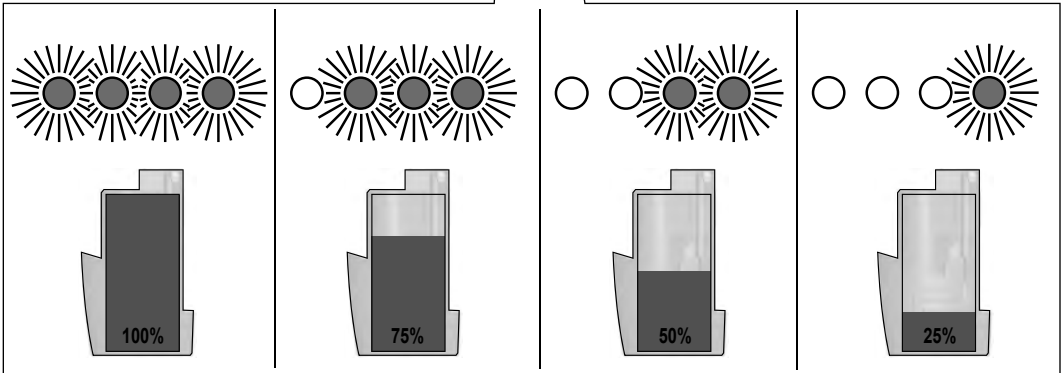
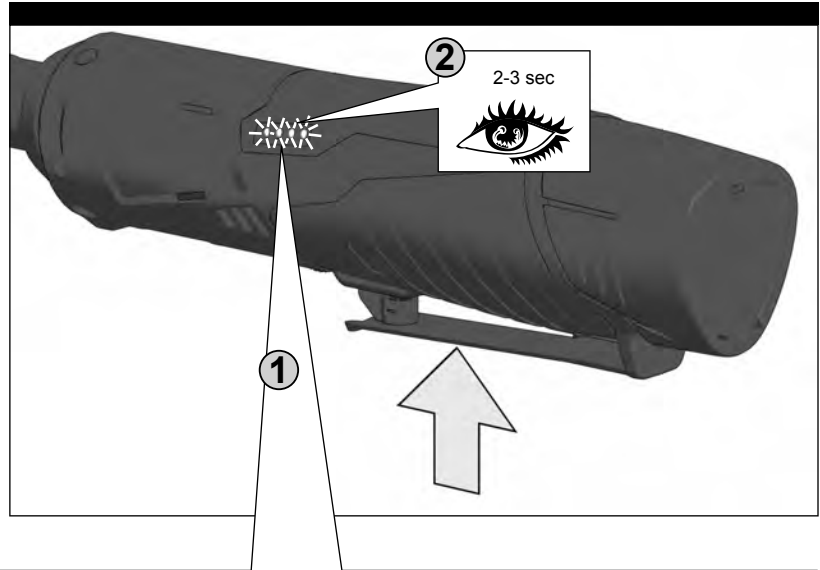


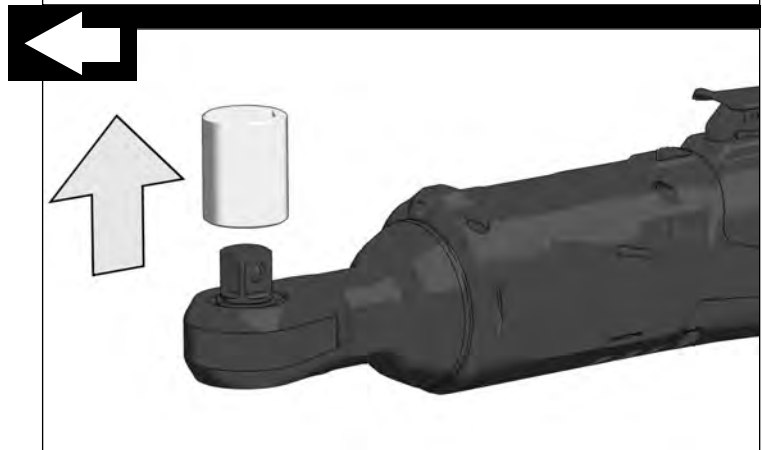
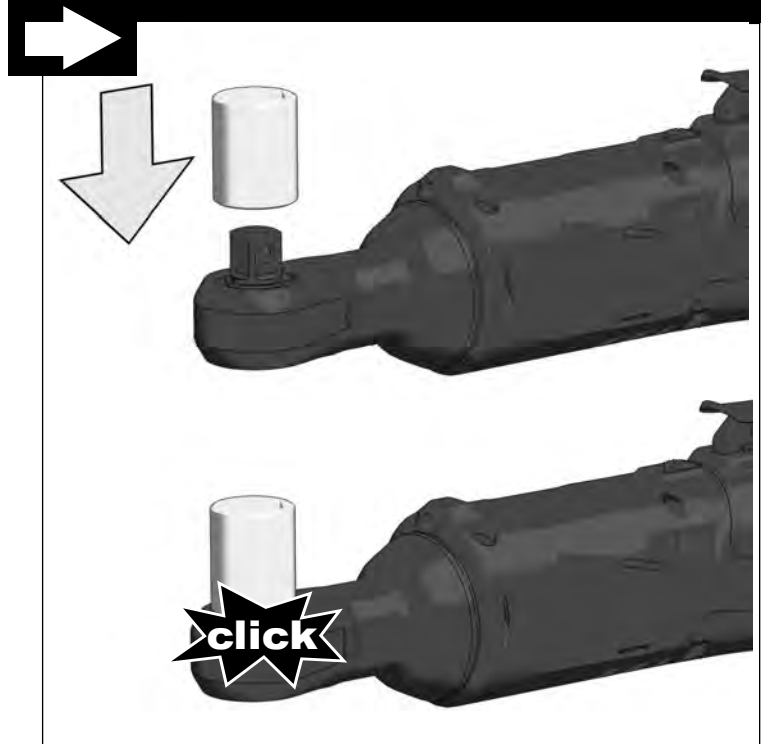
1



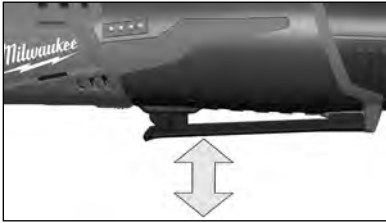
2



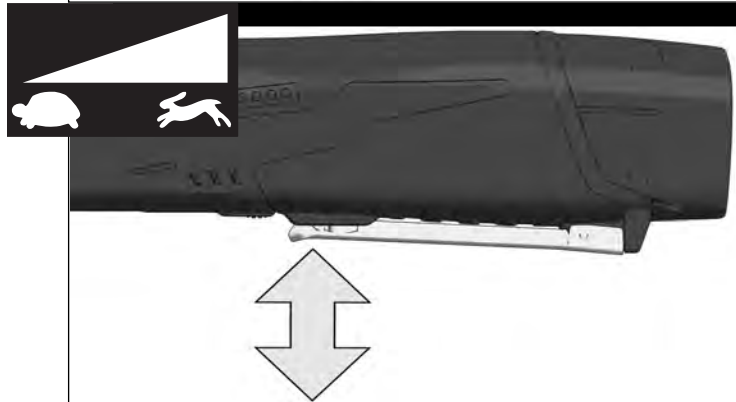






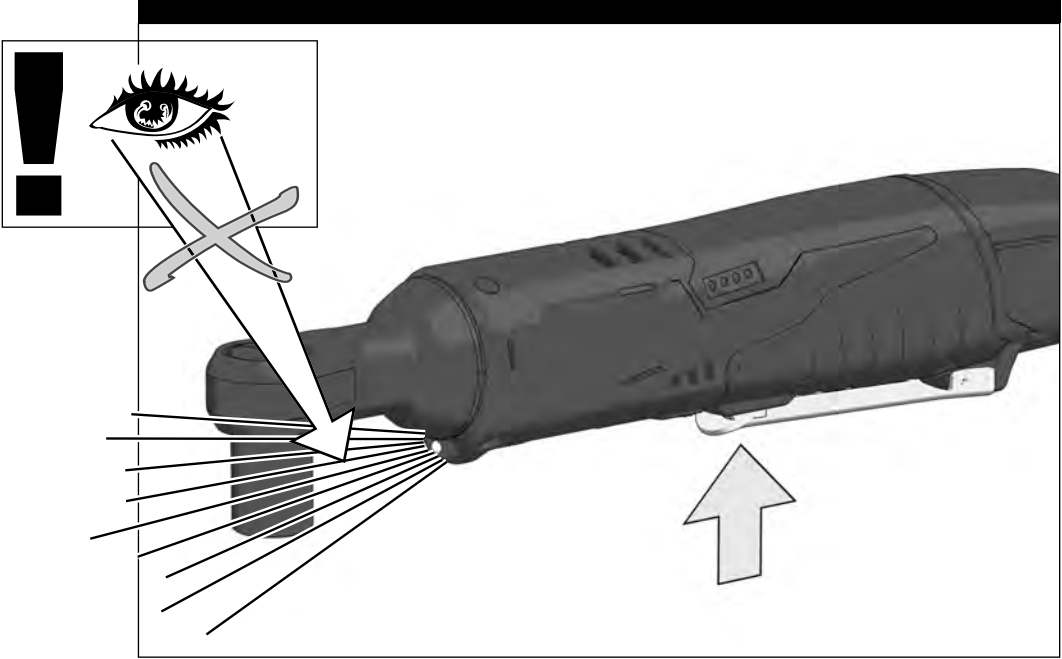
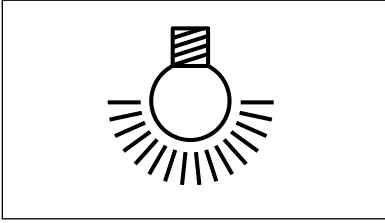


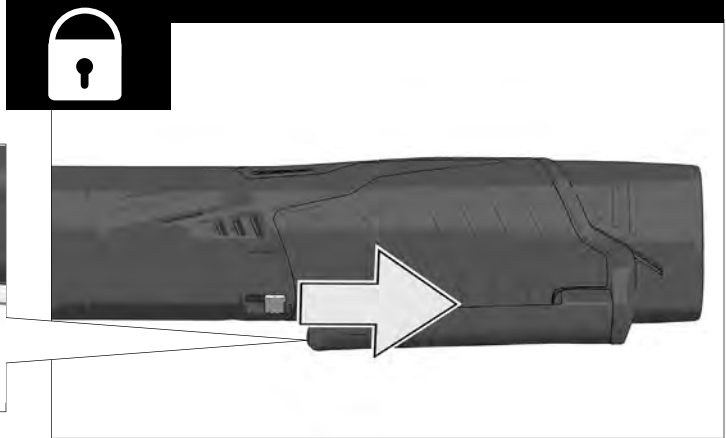
START



STOP







TECHNICAL DATA	Cordless Industrial Screwdriver	M12 IR (1/4")	M12 IR (3/8")
Tool reception		1/4" (6,35 mm)	3/8" (9,5 mm)
No-load speed		0-250 min ⁻¹	0-250 min ⁻¹
Torque		40 Nm	47 Nm
Battery voltage		12 V	12 V
Weight according EPTA-Procedure 01/2003		0,91 kg	0,91 kg

Noise/vibration information

Measured values determined according to EN 60 745.

Typically, the A-weighted noise levels of the tool are:

Sound pressure level (K=3 dB(A)) 72 dB (A) 72 dB (A)

The noise level when working can exceed 80 dB (A).

Wear ear protectors!

Total vibration values (vector sum in the three axes) determined according to EN 60745.

Vibration emission value a_v:

Impact tightening of fasteners of the maximum capacity of the tool < 2,5 m/s² < 2,5 m/s²

Uncertainty K = 1,5 m/s² 1,5 m/s²

WARNING

The vibration emission level given in this information sheet has been measured in accordance with a standardised test given in EN 60745 and may be used to compare one tool with another. It may be used for a preliminary assessment of exposure.

The declared vibration emission level represents the main applications of the tool. However if the tool is used for different applications, with different accessories or poorly maintained, the vibration emission may differ. This may significantly increase the exposure level over the total working period.

An estimation of the level of exposure to vibration should also take into account the times when the tool is switched off or when it is running but not actually doing the job. This may significantly reduce the exposure level over the total working period.

Identify additional safety measures to protect the operator from the effects of vibration such as: maintain the tool and the accessories, keep the hands warm, organisation of work patterns.

⚠ WARNING! Read all safety warnings and all instructions, including those given in the accompanying brochure. Failure to follow the warnings and instructions may result in electric shock, fire and/or serious injury. **Save all warnings and instructions for future reference.**

SAFETY INSTRUCTIONS

Wear ear protectors. Exposure to noise can cause hearing loss.

Hold power tool by insulated gripping surfaces, when performing an operation where the fastener may contact hidden wiring or its own cord. Fasteners contacting a live wire may make exposed metal parts of the power tool live and could give the operator an electric shock.

Sawdust and splinters must not be removed while the machine is running.

When working in walls ceiling, or floor, take care to avoid electric cables and gas or waterpipes.

Remove the battery pack before starting any maintenance work on the tool.

Do not dispose of used battery packs in the household refuse or by burning them. Abide by all local authority regulations on the correct disposal of batteries.

Do not store the battery pack together with metal objects (short circuit risk).

Use only System C12 chargers for charging System C12 battery packs. Do not use battery packs from other systems.

Battery acid may leak from damaged batteries under extreme load or extreme temperatures. In case of contact with battery acid wash it off immediately with soap and water. In case of eye contact rinse thoroughly for at least 10 minutes and immediately seek medical attention.

SPECIFIED CONDITIONS OF USE

The cordless industrial ratchet can be used to tighten and loosen nuts and bolts wherever no mains connection is available.

Do not use this product in any other way as stated for normal use.

EC-DECLARATION OF CONFORMITY

We declare under our sole responsibility that this product is in conformity with the following standards or standardized documents. EN 60745, EN 55014-1, EN 55014-2, in accordance with the regulations 2006/42/EC, 2004/108/EC



Winnenden, 2011-07-15

Rainer Kumpf
Manager Product Development

Authorized to compile the technical file

BATTERIES

New battery packs reach full loading capacity after 4 - 5 chargings and dischargings. Battery packs which have not been used for some time should be recharged before use.

Temperatures in excess of 50°C (122°F) reduce the performance of the battery pack. Avoid extended exposure to heat or sunshine (risk of overheating).

The contacts of chargers and battery packs must be kept clean.

For an optimum life-time, after use, the battery packs have to be fully charged.

For battery pack storage longer than 30 days:
Store the battery pack where the temperature is below 27°C
and away from moisture
Store the battery packs in a 30% - 50% charged condition
Every six months of storage, charge the pack as normal.

MAINTENANCE

Use only Milwaukee accessories and spare parts. Should components need to be replaced which have not been described, please contact one of our Milwaukee service agents (see our list of guarantee/service addresses).

If needed, an exploded view of the tool can be ordered. Please state the Article No. as well as the machine type printed on the label and order the drawing at your local service agents or directly from Milwaukee Australia (Toll Free Telephone Number 1300 361 505 Email Milwaukee@ttibrands.com.au) or Milwaukee New Zealand (Toll Free Telephone Number 0800 279 624 Email Milwaukee@ttibrands.co.nz).

SYMBOLS



Please read the instructions carefully before starting the machine.



Remove the battery pack before starting any maintenance work on the tool.



Do not dispose of electric tools together with household waste material! In observance of European Directive 2002/96/EC on waste electrical and electronic equipment and its implementation in accordance with national law, electric tools that have reached the end of their life must be collected separately and returned to an environmentally compatible recycling facility.



MILWAUKEE ELECTRIC TOOL CORPORATION

13135 West Lisbon Road • Brookfield, Wisconsin, U.S.A. 53005

Milwaukee Electric Tool Corporation (Australia)

Techtronic Industries (Australia) Pty. Ltd.

P.O. Box 121, Doncaster, Victoria, Australia, 3108

Milwaukee Electric Tool Corporation (New Zealand)

Techtronic Industries (New Zealand) Pty. Ltd.

P.O. Box 12-806, Penrose, Auckland, New Zealand, 1060

Professionally made in China for Milwaukee Electric Tool Co.
Printed in China

961075171-02(B)