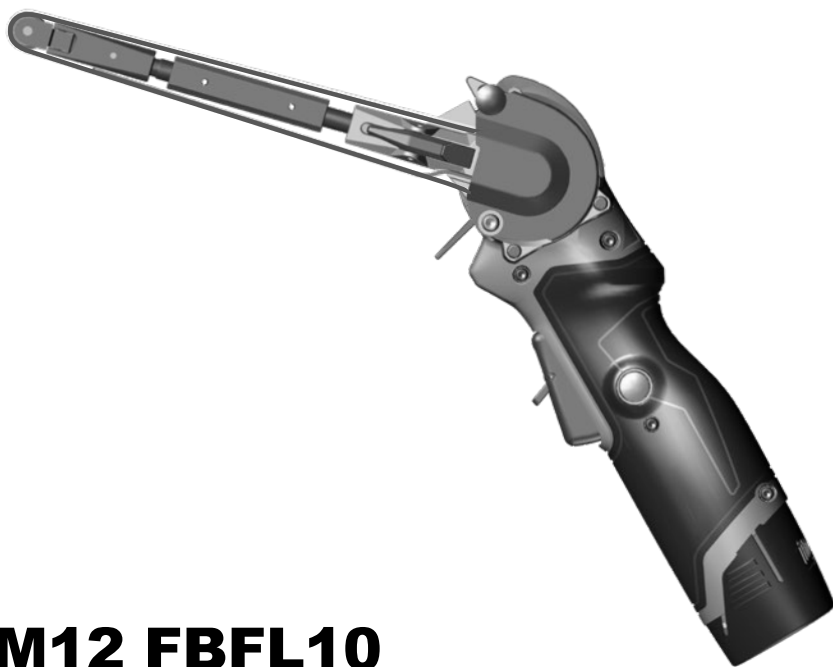




Nothing but **HEAVY DUTY**.®



M12 FBFL10 **M12 FBFL13**

Original instructions

Originalbetriebsanleitung

Notice originale

Istruzioni originali

Manual original

Oorspronkelijke gebruiksaanwijzing

Original brugsanvisning

Original bruksanvisning

Bruksanvisning i original

Alkuperäiset ohjeet

Πρωτότυπο οδηγιών χρήσης

Orijinal işletme talimatı

Původním návodem k

používání

Pôvodný návod na použitie

Instrukcją oryginalną

Eredeti használati utasítás

Izvirna navodila

Originalne pogonske upute

Instrukcijām oriģinālvalodā

Originali instrukcija

Algurðaræne kasutusjuhend

Оригинальное руководство по эксплуатации

Оригинално ръководство за експлоатация

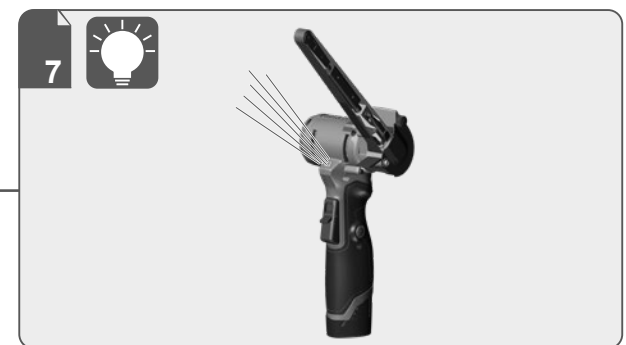
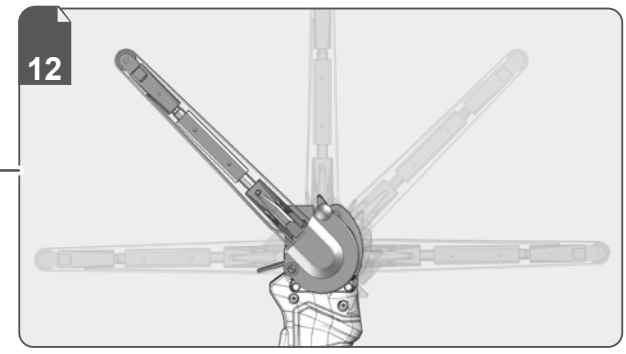
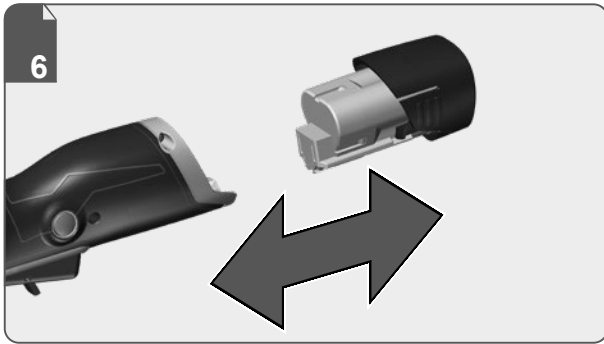
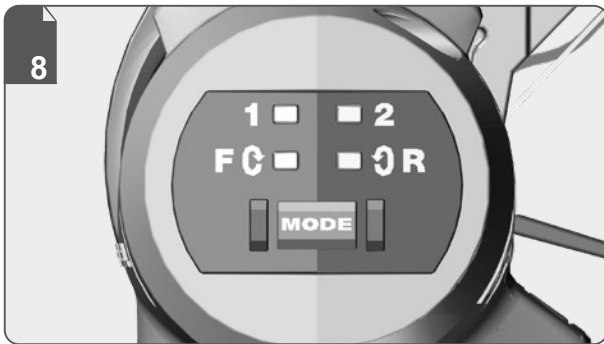
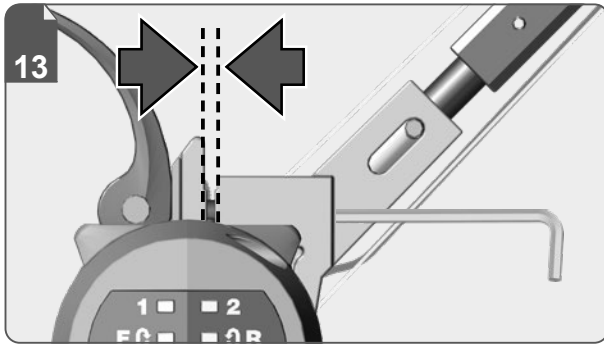
Instrucțiuni de folosire originale

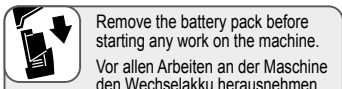
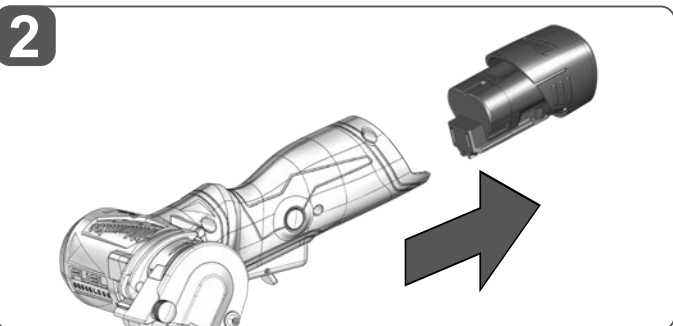
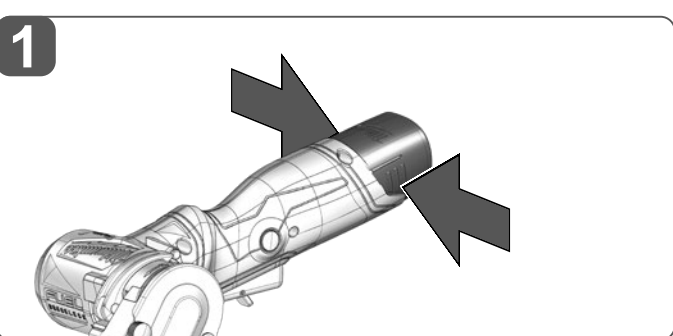
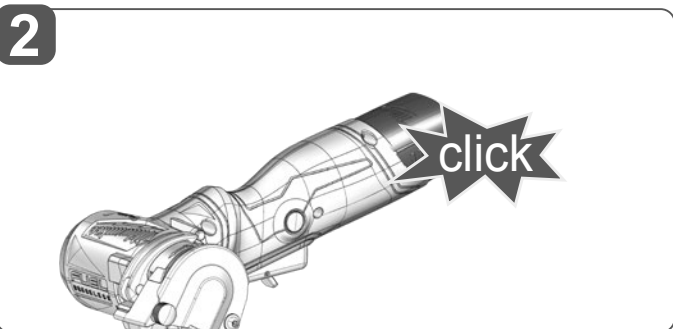
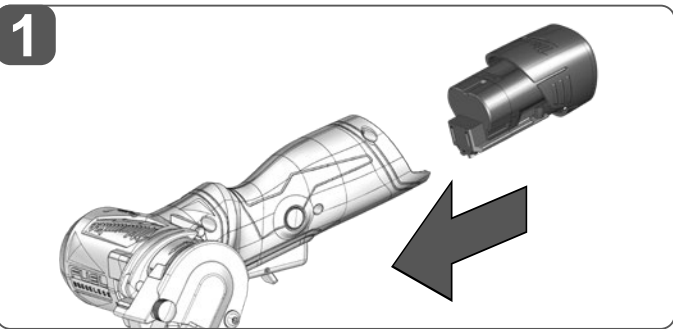
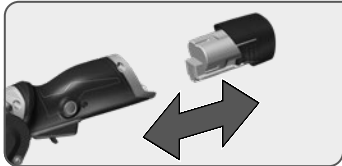
Оригинален прирачник за работа

Оригінал інструкції з експлуатації

التعليمات الأصلية

ENGLISH	Picture section with operating description and functional description	Page	4	Text section with Technical Data, important Safety and Working Hints and description of Symbols	Page	22
DEUTSCH	Bildteil mit Anwendungs- und Funktionsbeschreibungen	Seite	4	Textteil mit Technischen Daten, wichtigen Sicherheits- und Arbeitshinweisen und Erklärung der Symbole.	Seite	25
FRANÇAIS	Partie imagée avec description des applications et des fonctions	Page	4	Partie textuelle avec les données techniques, les consignes importantes de sécurité et de travail ainsi que l'explication des pictogrammes.	Page	28
ITALIANO	Sezione illustrata con descrizione dell'applicazione e delle funzioni	Pagina	4	Sezione testo con dati tecnici, importanti informazioni sulla sicurezza e sull'utilizzo, spiegazione dei simboli.	Pagina	31
ESPAÑOL	Sección de ilustraciones con descripción de aplicación y descripción funcional	Página	4	Sección de texto con datos técnicos, indicaciones importantes de seguridad y trabajo y explicación de los símbolos.	Página	34
PORTUGUES	Parte com imagens explicativas contendo descrição operacional e funcional	Página	4	Parte com texto explicativo contendo Especificações técnicas, avisos de segurança e de operação e a descrição dos símbolos.	Página	37
NEDERLANDS	Beeldgedeelte met toepassings- en functiebeschrijvingen	Pagina	4	Tekstgedeelte met technische gegevens, belangrijke veiligheids- en arbeidsinstructies en verklaring van de symbolen.	Pagina	40
DANSK	Billedel med anvendelses- og funktionsbeskrivelser	Side	4	Tekstdel med tekniske data, vigtige sikkerheds- og arbejdsanvisninger og symbolforklaring.	Side	43
NORSK	Billedel med bruks- og funksjonsbeskrivelse	Side	4	Tekstdel med tekniske data, viktige sikkerhets- og arbeidsinstruksjoner og forklaring av symbolene.	Side	46
SVENSKA	Bilddel med användnings- och funktionsbeskrivning	Sidan	4	Textdel med tekniska informationer, viktiga säkerhets- och användningsinstruktioner samt symbolförklaringar.	Sidan	49
SUOMI	Kuvasivut käyttö- ja toimintakuvaus	Sivu	4	Tekstisivut: tekniset tiedot, tärkeät turvallisuus- ja työskentelyohjeet sekä merkkien selitykset.	Sivu	52
ΕΛΛΗΝΙΚΑ	Τμήμα εικόνων με περιγραφές χρήσης και λειτουργίας	Σελίδα	4	Τμήμα κειμένου με τεχνικά χαρακτηριστικά, σημαντικές υποδείξεις ασφαλείας και εργασίας και εξήγηση των συμβόλων.	Σελίδα	55
TÜRKÇE	Resim bölümü Uygulama ve fonksiyon açıklamaları ile birlikte	Sayfa	4	Teknik bilgileri, önemli güvenlik ve çalışma açıklamalarını ve de sembollerin açıklamalarını içeren metin bölümü.	Sayfa	58
ČESKY	Obrazová část s popisem aplikací a funkcí	Stránka	4	Textová část s technickými daty, důležitými bezpečnostními a pracovními pokyny a s vysvětlivkami symbolů	Stránka	61
SLOVENSKY	Obrazová časť s popisom aplikácií a funkcií	Stránka	4	Textová časť s technickými dátami, dôležitými bezpečnostnými a pracovnými pokynmi a s vysvetlivkami symbolov	Stránka	64
POLSKI	Część rysunkowa z opisami zastosowania i działania	Strona	4	Część opisowa z danymi technicznymi, ważnymi wskazówkami dotyczącymi bezpieczeństwa i pracy oraz objaśnieniami symboli.	Strona	67
MAGYAR	Képes részalkalmazási- és működési leírásokkal	Oldal	4	Szöveges rész műszaki adatokkal, fontos biztonsági- és munkavégzési útmutatásokkal, valamint a szimbólumok magyarázata.	Oldal	70
SLOVENŠČINA	Del slikez opisom uporabe in funkcij	Stran	4	Del besedila s tehničnimi podatki, pomembnimi varnostnimi opozorili in delovnimi navodili in pojasnili simbolov.	Stran	73
HRVATSKI	Dio sa slikamasa opisima primjene i funkcija	Stranica	4	Dio štiva sa tehničkim podacima, važnim sigurnosnim i radnim uputama i objašnjenjem simbola.	Stranica	76
LATVISKI	Attēla daļa ar lietošanas un funkciju aprakstiem	Lappuse	4	Teksta daļa ar tehniskajiem parametriem, svarīgiem drošības un darbības norādījumiem, simbolu atšifrējumiem.	Lappuse	79
LIETUVIŠKAI	Paveikslėlio dalis su vartojimo instrukcija ir funkcijų aprašymais	Puslapis	4	Teksto dalis su techniniais duomenimis, svarbiomis saugumo ir darbo instrukcijomis bei simbolių paaiškinimais.	Puslapis	82
EESTI	Pildiosa kasutusjuhendi ja funktsioonide kirjeldusega	Lehekülg	4	Tekstiosa tehniliste näitajate, oluliste ohutus- ja tööjuhenditega ning sümbolite kirjeldustega.	Lehekülg	85
РУССКИЙ	Раздел иллюстраций с описанием эксплуатации и функций	Страница	4	Текстовый раздел, включающий технические данные, важные рекомендации по безопасности и эксплуатации, а также описание используемых символов.	Страница	88
БЪЛГАРСКИ	Част със снимки с описание за приложение и функции	Страница	4	Част с текст с технически данни, важни указания за безопасност и работа и разяснение на символите.	Страница	91
ROMÂNĂ	Secvența de imagine cu descrierea utilizării și a funcționării	Pagina	4	Porțiune de text cu date tehnice, indicații importante privind siguranța și modul de lucru și descrierea simbolurilor.	Pagina	94
МАКЕДОНСКИ	Дел со сликисо описи за употреба и функционирање	Страница	4	Текстуален дел со Технички карактеристики, важни безбедносни и работни упатства и објаснување на симболите.	Страница	97
УКРАЇНСЬКА	Частина з зображеннями з описом робіт та функцій	Сторінка	4	Текстова частина з технічними даними, важливими вказівками з техніки безпеки та експлуатації і поясненням символів.	Сторінка	100
عربي	قسم الصور يوجد به الوصف التشغيلي والوظيفي	الصفحة	4	القسم النصي المزود بالبيانات الفنية والنصائح الهامة للسلامة والعمل ووصف الرموز	الصفحة	103





Remove the battery pack before starting any work on the machine.

Vor allen Arbeiten an der Maschine den Wechselakku herausnehmen.

Avant tous travaux sur la machine retirer l'accu interchangeable.

Prima di iniziare togliere la batteria dalla macchina.

Retire la batería antes de comenzar cualquier trabajo en la máquina.

Antes de efectuar cualquier intervención na máquina retirar o bloco acumulador.

Voor alle werkzaamheden aan de machine de akku verwijderen.

Ved arbejde inden i maskinen, bør batteriet tages ud.

Ta ut vekslebatteriet før du arbeider på maskinen.

Drag ur batteripaket innan arbete utföres på maskinen.

Tarkista pistotulppa ja verkkojohto mahdollisilta vaurioilta. Viat saa korjata vain alan erikoismies.

Πριν από κάθε εργασία στη μηχανή αφαιρέστε την ανταλλακτική μπαταρία.

Aletin kendinde bir çalışma yapmadan önce kartuş aküyü çıkarın.

Před zahájením veškerých prací na vrtacím šroubováku vyjmout výměnný akumulátor.

Pred každou pracou na stroji výměnný akumulátor vytiahnuť.

Przed przystąpieniem do jakichkolwiek prac na elektronarzędziu należy wyjąć wkładkę akumulatową.

Karbantartás, javítás, tisztítás, stb. előtt az akkumulátort ki kell venni a készülékből.

Pred deli na stroju izvlecite izmenljivi akumulator.

Prije svih radova na stroju izvaditi bateriju za zamjenu.

Pirms mašīnai veikt jebkāda veida apkopes darbus, ir jāizņem ārā akumulators.

Prieš atlikdami bet kokius darbus įrenginyje, išimkite keičiamą akumuliatorių.

Enne kõiki töid masina kallal võtke vahetatav aku välja.

Выньте аккумулятор из машины перед проведением с ней каких-либо манипуляций.

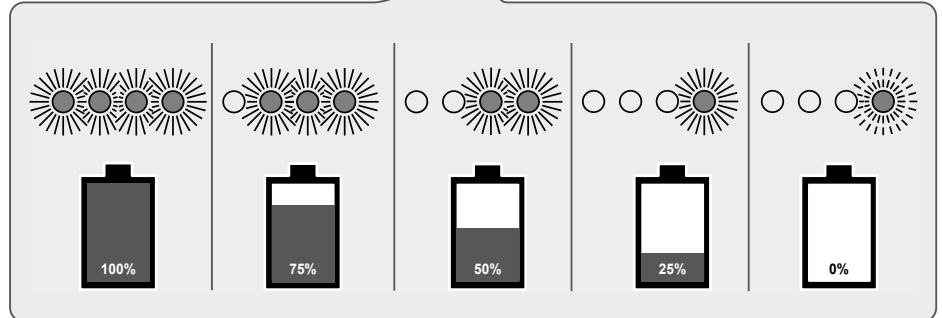
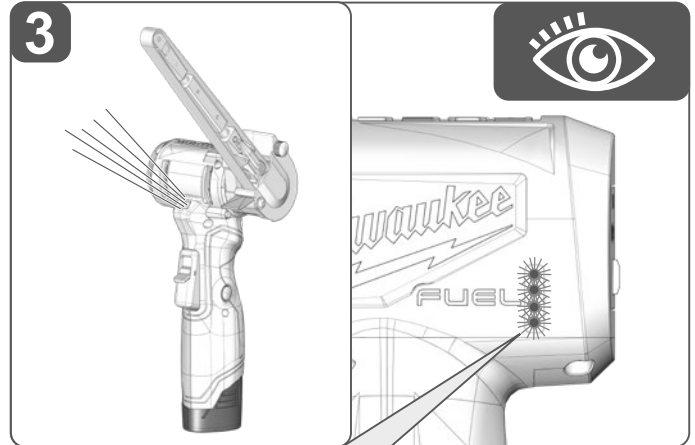
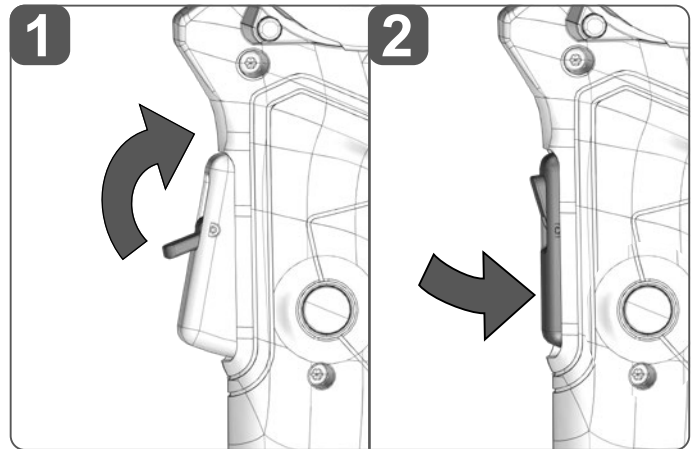
Преди започване на каквото е да работи по машината извадете акумулатора.

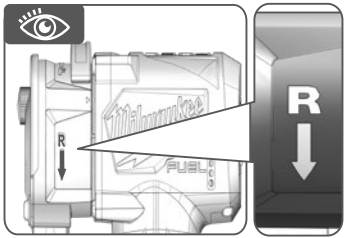
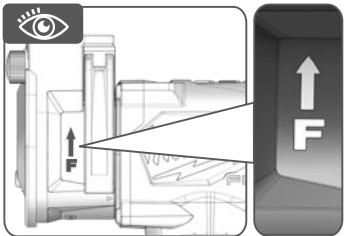
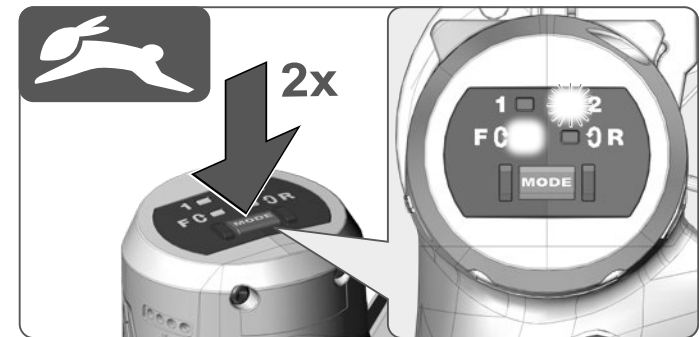
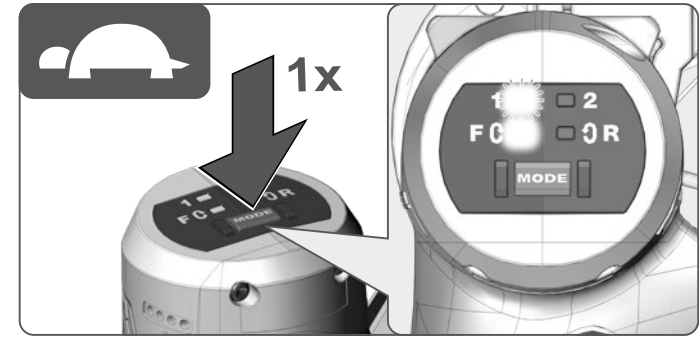
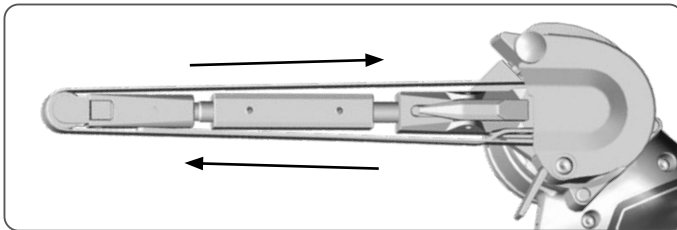
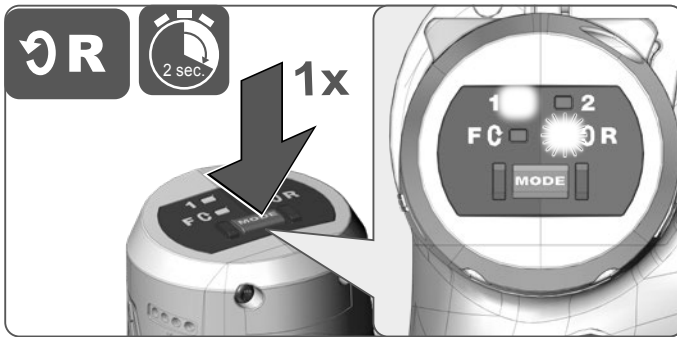
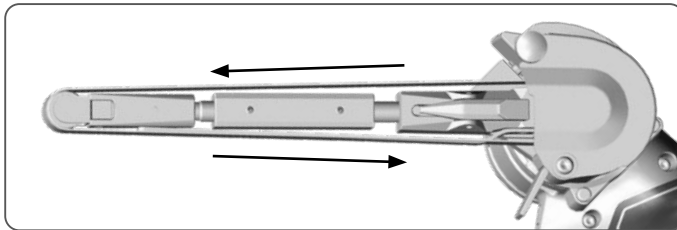
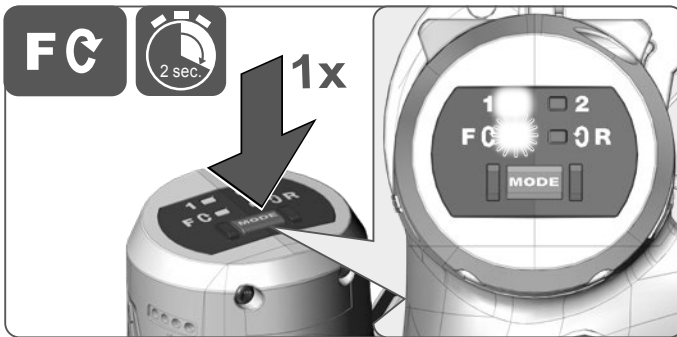
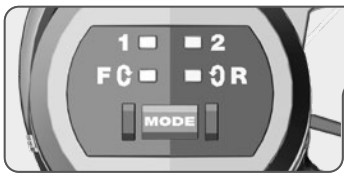
Scoteți acumulatorul înainte de a începe orice intervenție pe mașină.

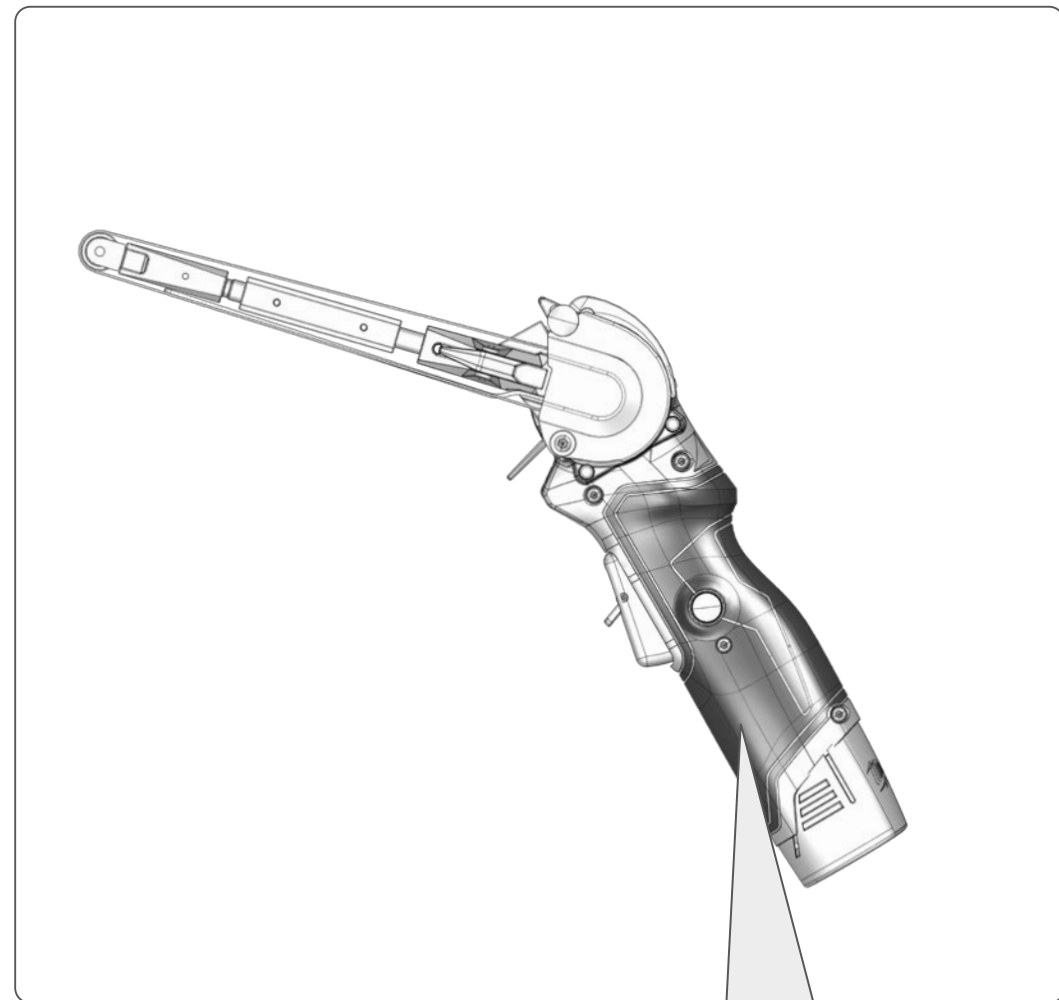
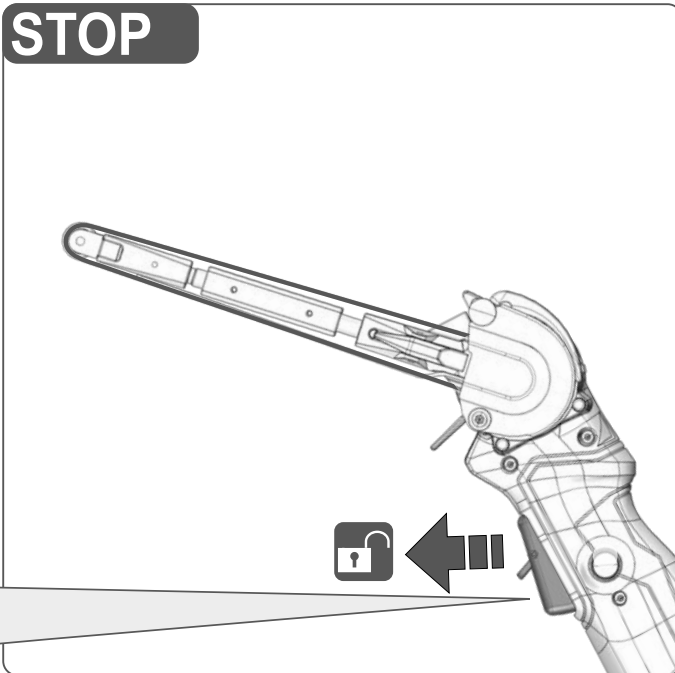
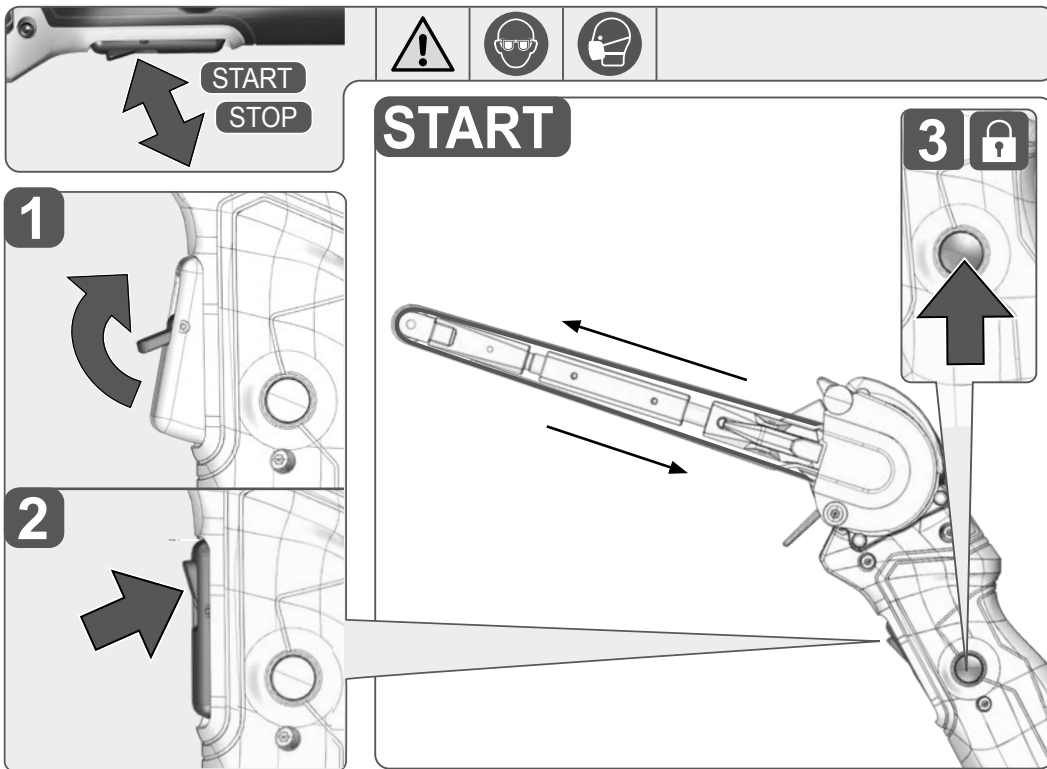
Отстранете ја батеријата пред да започнете да ја користите машината.

Перед будь-якими роботами на машині вийняти змінну акумуляторну батарею.

قم بإزالة حزمة البطارية قبل البدء في أي أعمال على الجهاز.





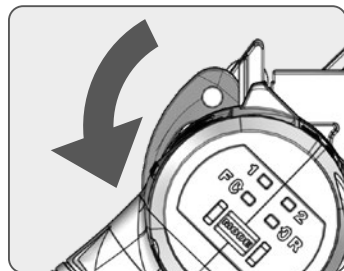
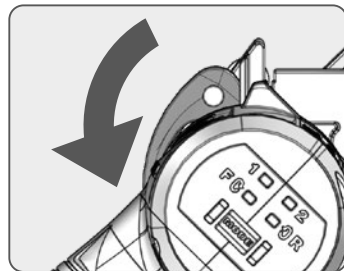
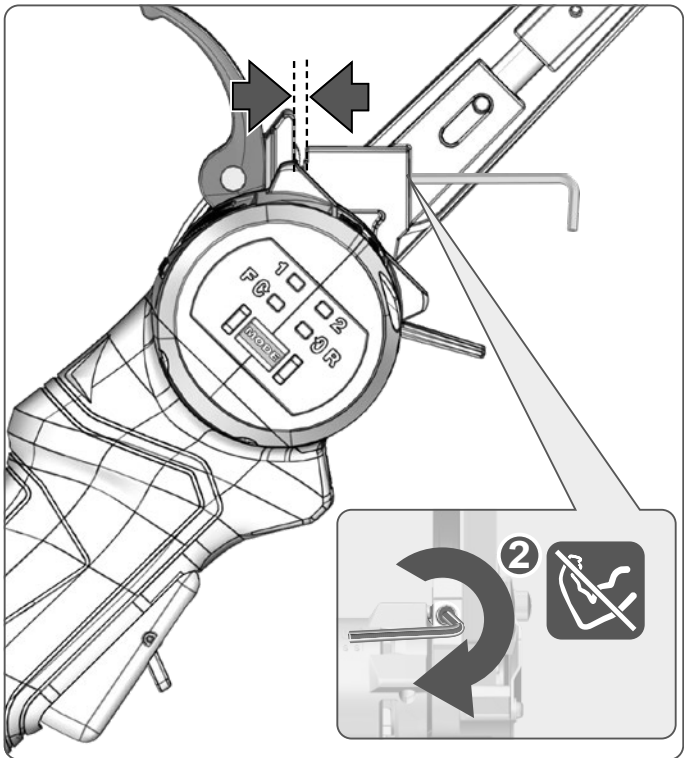
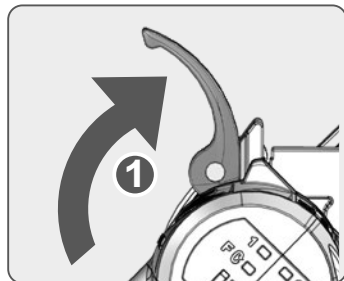
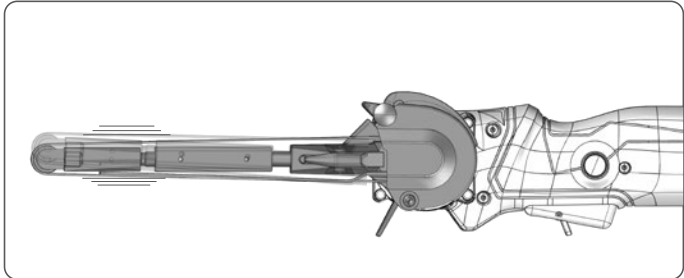
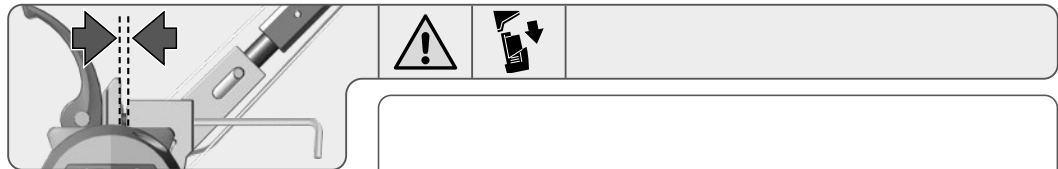
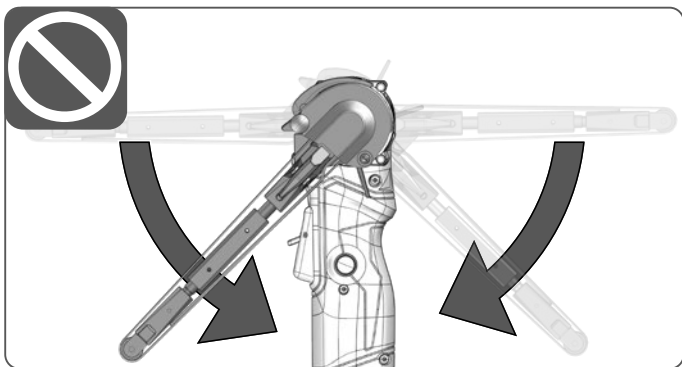
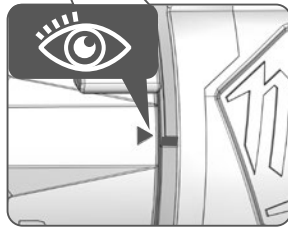
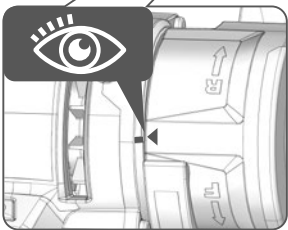
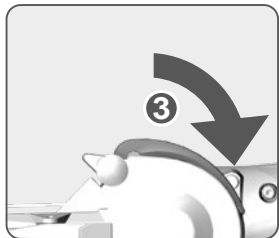
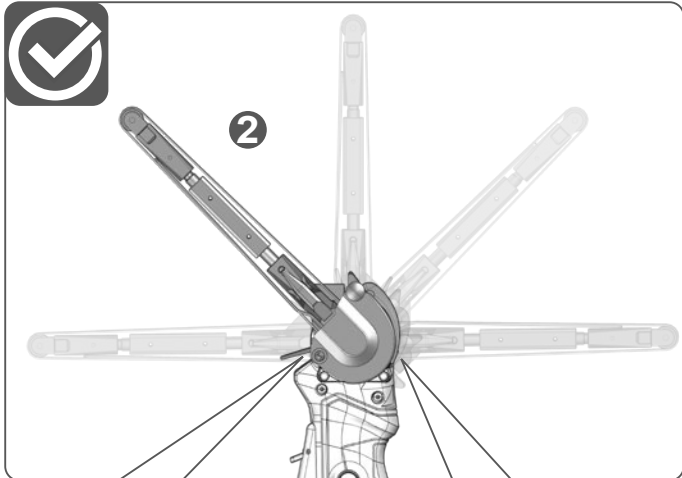
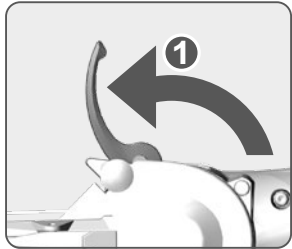


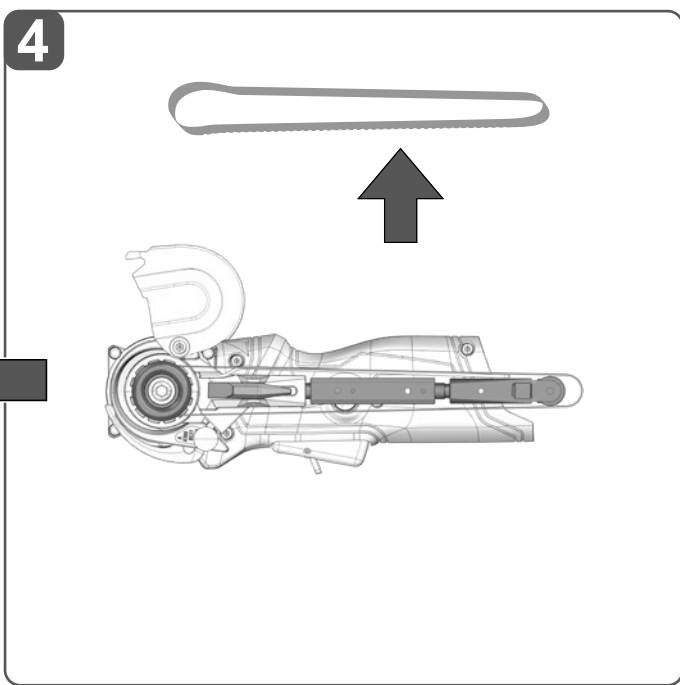
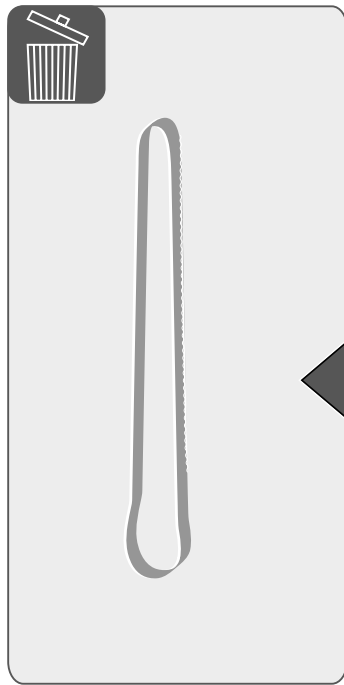
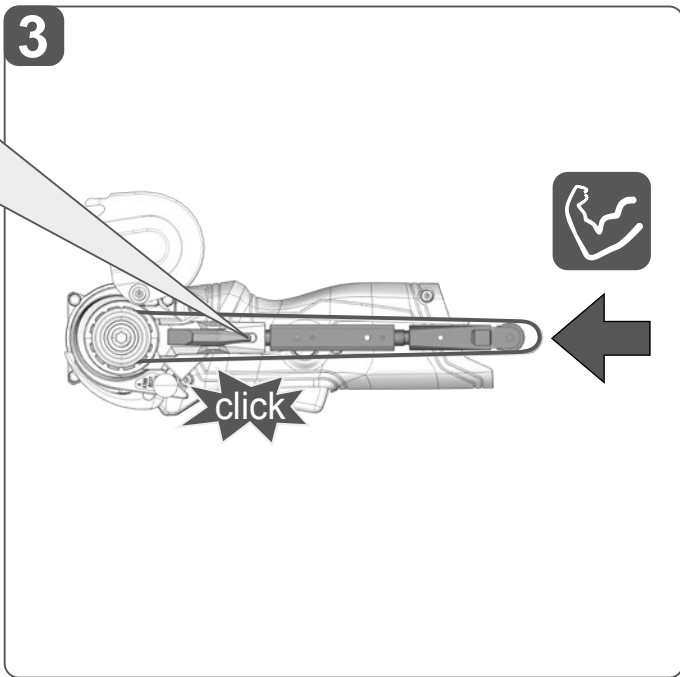
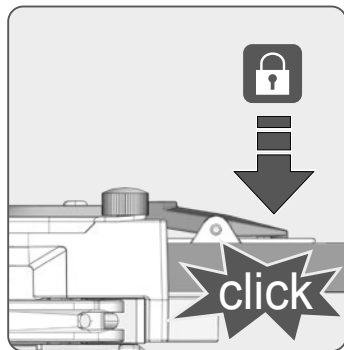
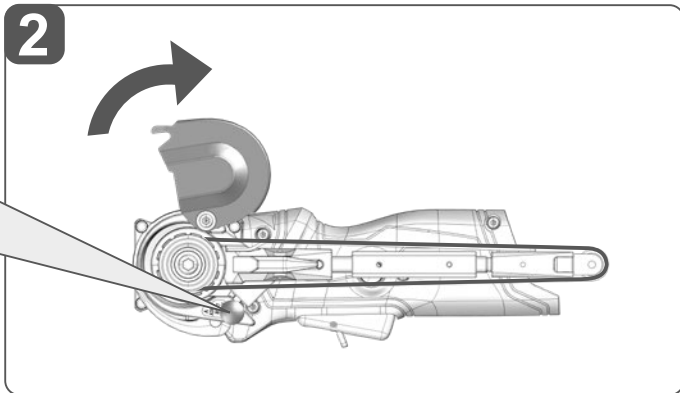
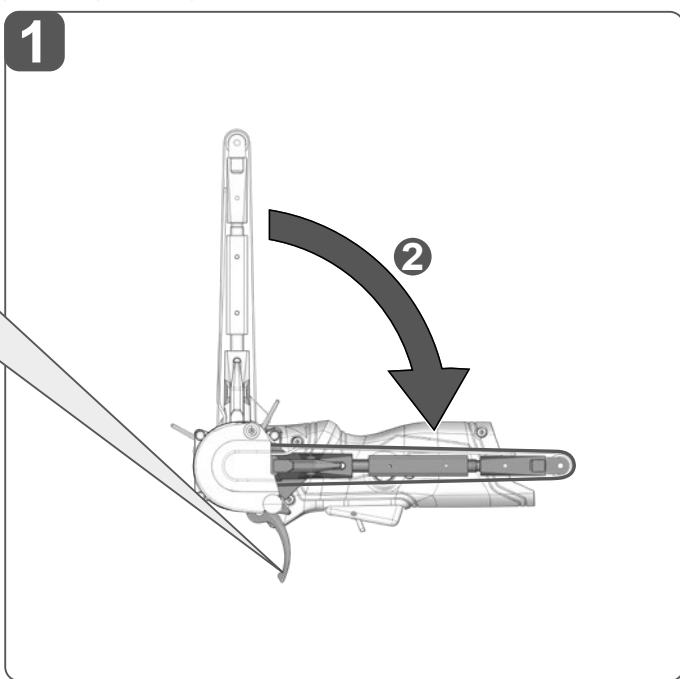
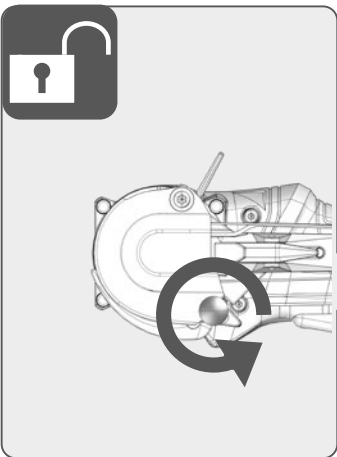
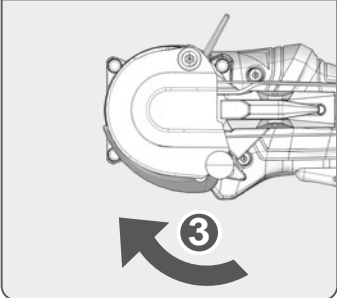
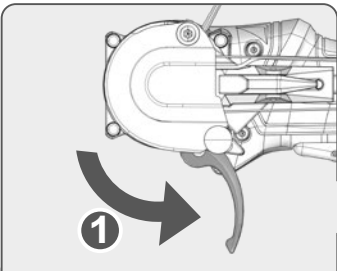
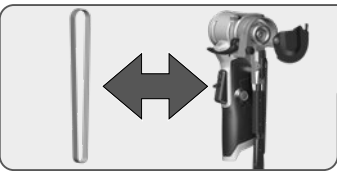
Insulated gripping surface
 Isolierte Grifffläche
 Surface de prise isolée
 Superficie di presa isolata
 Superficie de agarre con aislamiento
 Superficie de pega isolada
 Geïsoleerde handgrepen
 Isolerede gribefflader
 Isolerad gripeflate
 Eristetty tarttumapinta
 Μονωμένη επιφάνεια λαβής

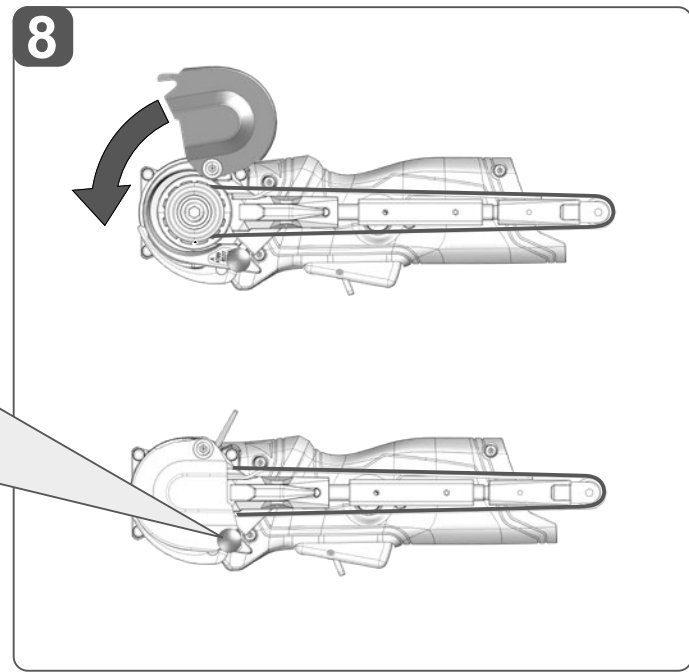
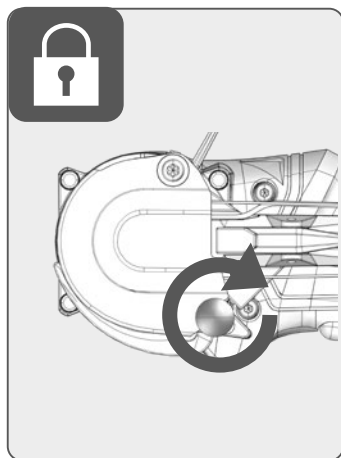
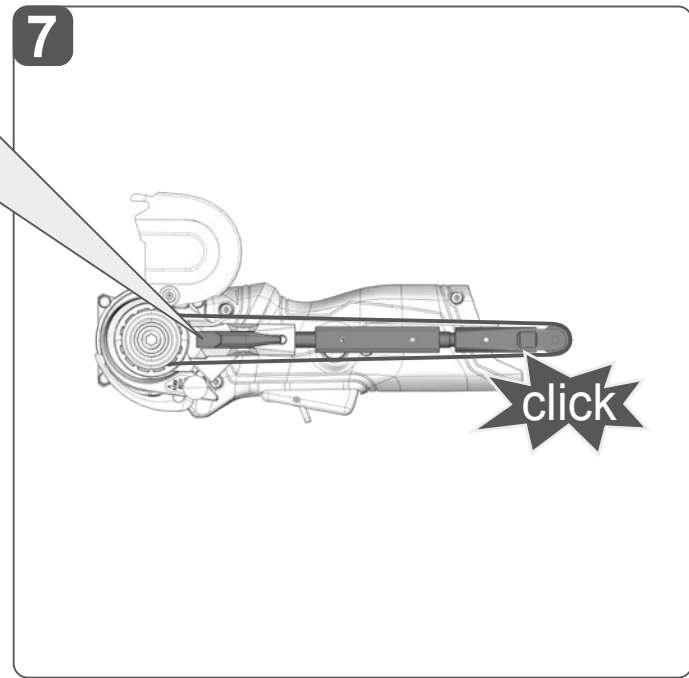
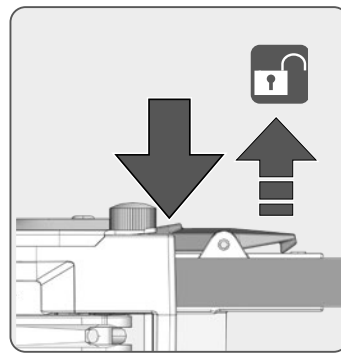
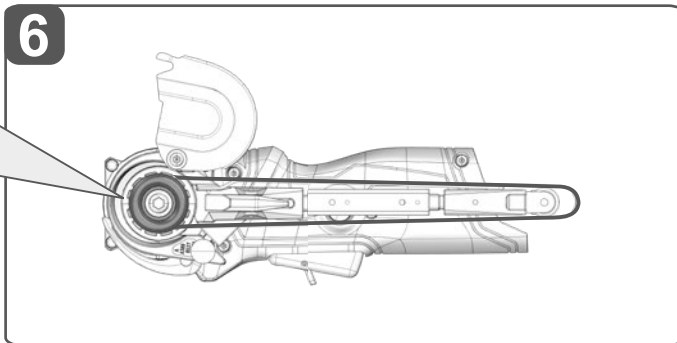
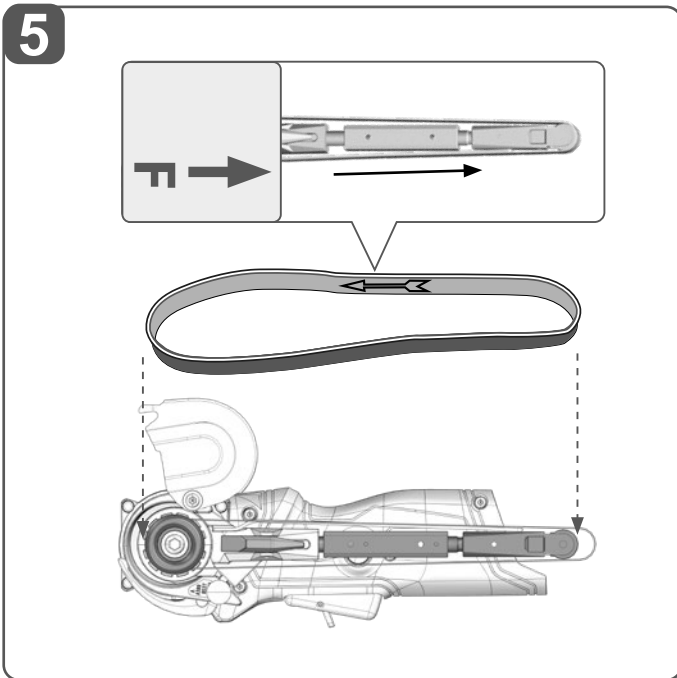
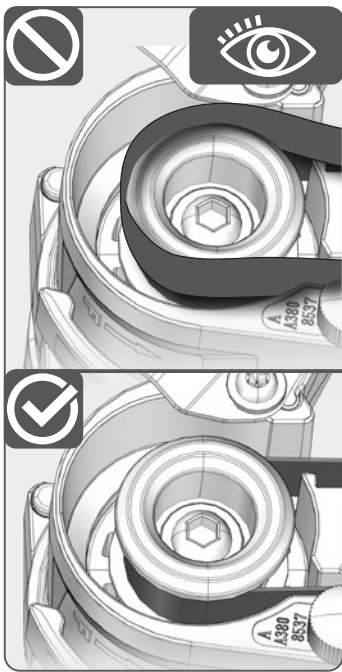
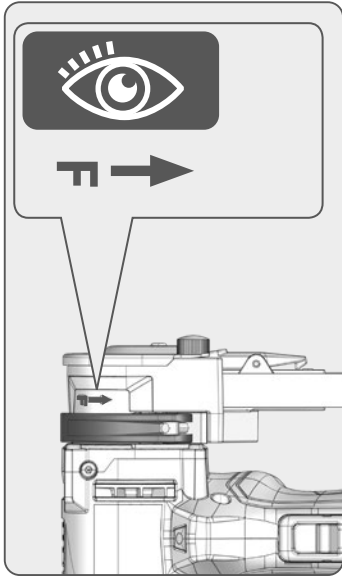
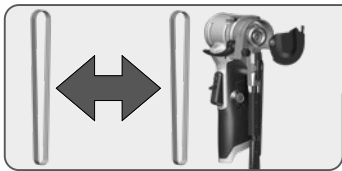
İzolasyonlu tutma yüzeyi
 Izolovaná uchopovací plocha
 Izolovaná úchopná plocha
 Izolowana powierzchnia uchwytu
 Szigetelt fogófelület
 Izolirana prijemalna površina
 Izolirana površina za držanje
 Izolēta satveršanas virsma
 Izoliuotas rankenos paviršius
 Isoleeritud pideme piirkond
 Изолированная поверхность ручки
 Изолирана повърхност за хващане

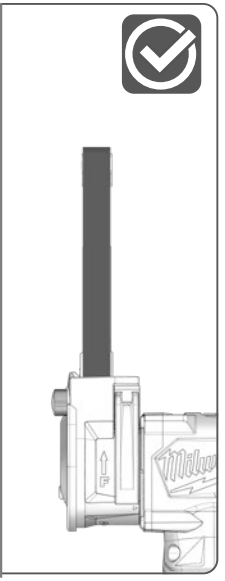
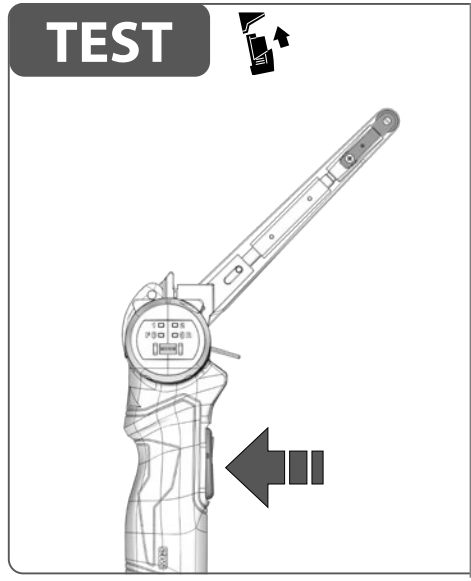
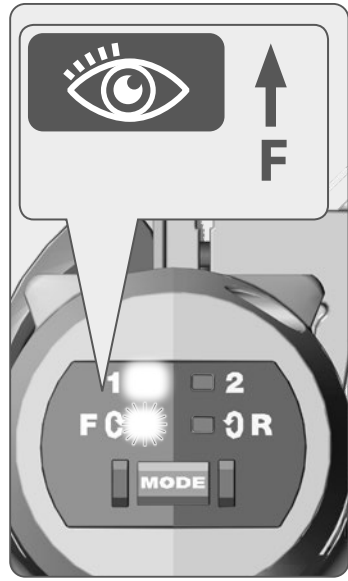
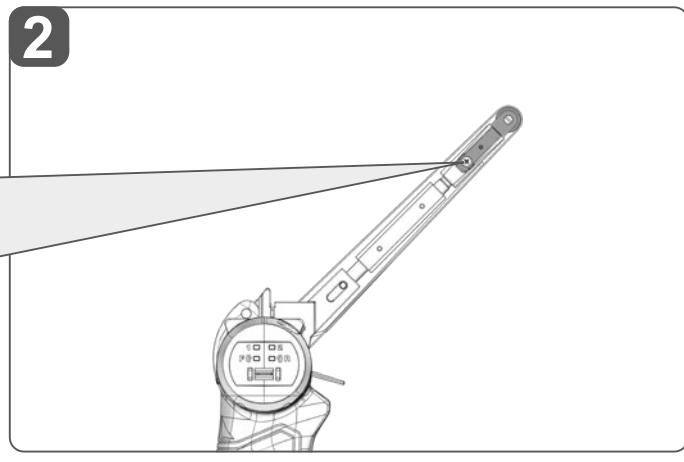
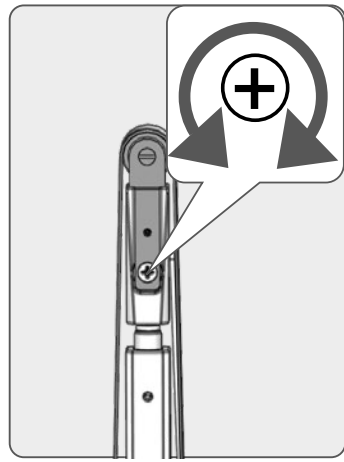
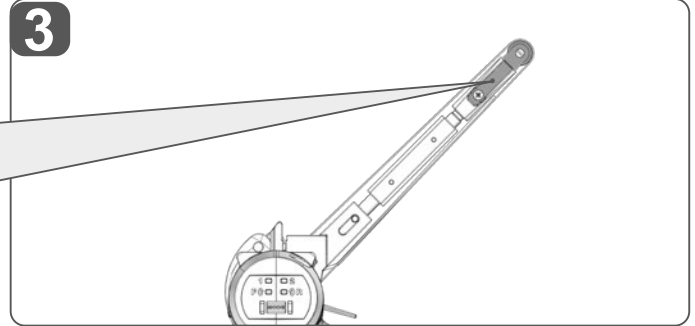
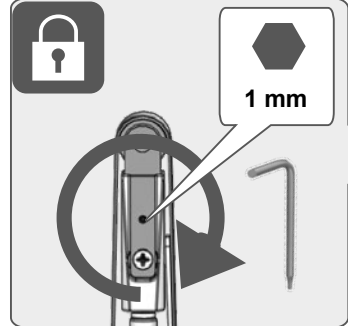
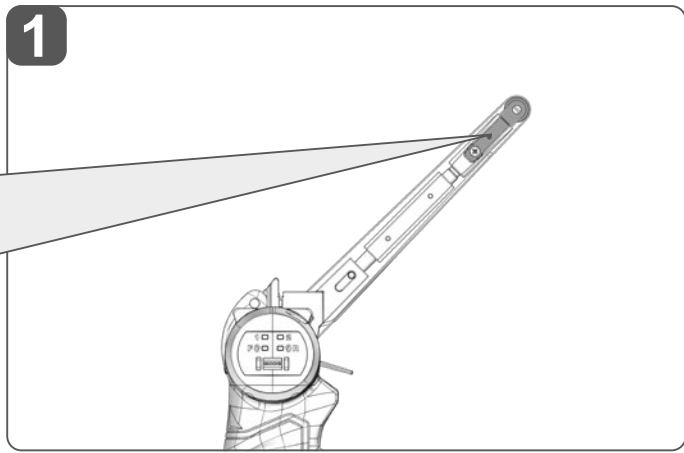
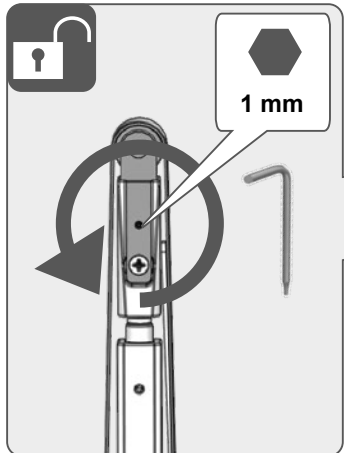
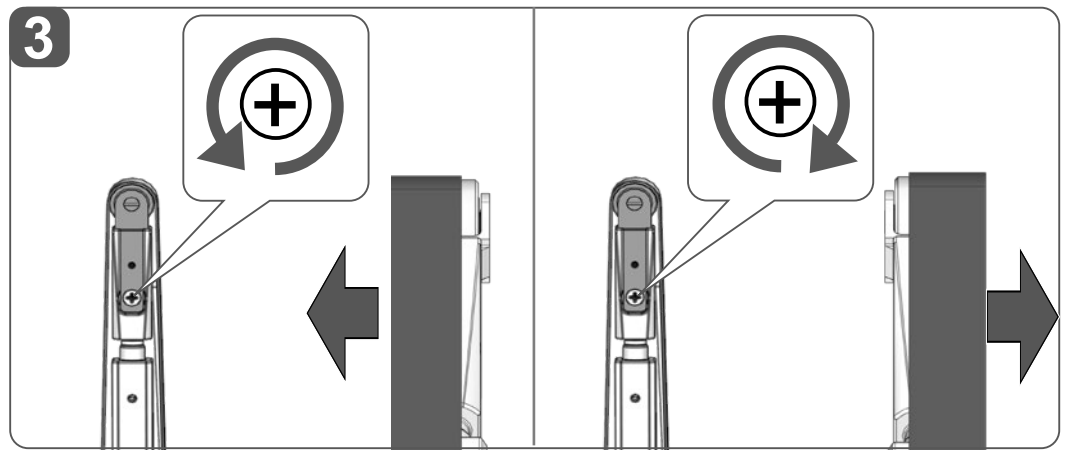
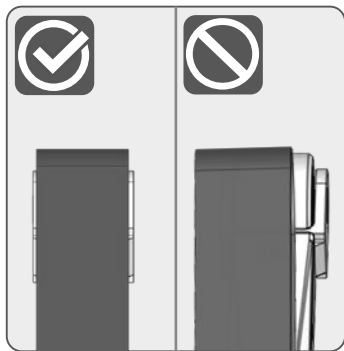
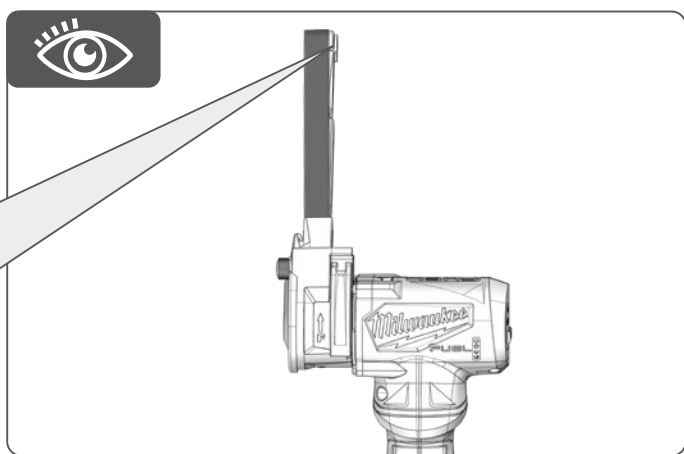
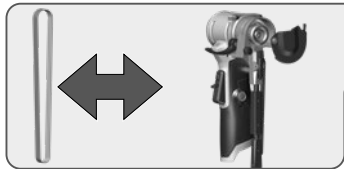
Suprafață de prindere izolată
 Изолирана површина на дршката
 Изольована поверхня ручки

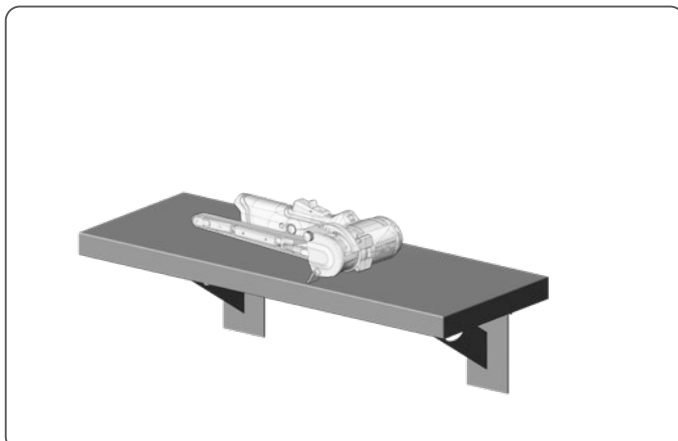
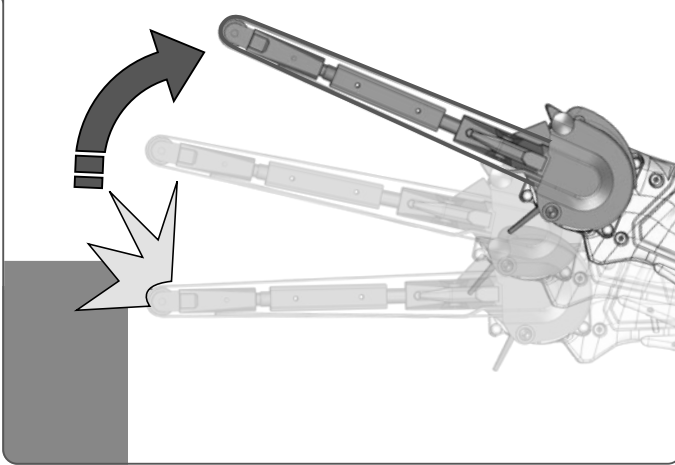
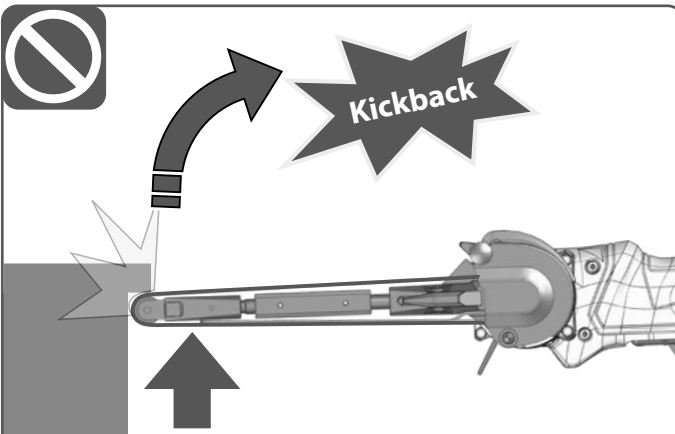
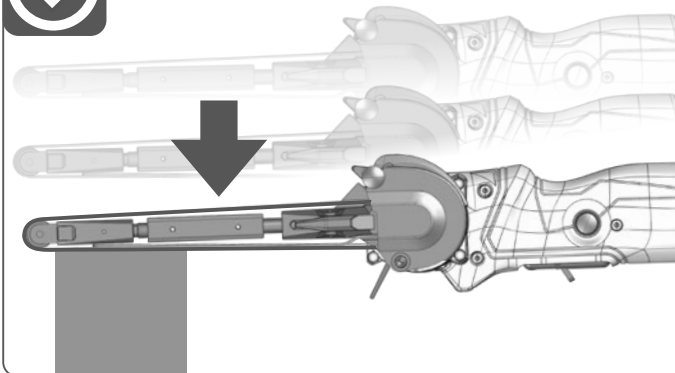
مساحة المقبض معزولة











TECHNICAL DATA	M12 FBFL10	M12 FBFL13
Type	Bandfile	Bandfile
Production code	4919 22 01 XXXXXX MJJJJ	4919 32 01 XXXXXX MJJJJ
Battery voltage	12 V =	12 V =
Belt speed, high speed	0 - 18,5 m/s	0 - 18,4 m/s
Belt speed, low speed	0 - 9,2 m/s	0 - 9,3 m/s
Belt width	10 mm / 3/8"	13 mm / 1/2"
Belt length	330 mm / 13"	457 mm / 18"
Weight according EPTA-Procedure 01/2014 (Li-Ion 2,0 Ah ... 6,0 Ah)	1,0 ... 1,2 kg	1,1 ... 1,3 kg
Recommended Ambient Operating Temperature	-18 ... +50 °C	-18 ... +50 °C
Recommended battery types	M12B...	M12B...
Recommended charger	C12C; M12-18...; M12C4; M12TC	C12C; M12-18...; M12C4; M12TC
Noise information Measured values determined according to EN 62841. Typically, the A-weighted noise levels of the tool are:		
Sound pressure level / Uncertainty K	70 dB (A) / 3 dB (A)	68 dB (A) / 3 dB (A)
Sound power level / Uncertainty K	81 dB (A) / 3 dB (A)	79 dB (A) / 3 dB (A)
Wear ear protectors!		
Vibration information Vibration total values (triaxial vector sum) determined according to EN 62841		
Vibration emission value a _v / Uncertainty K	2,16 m/s ² / 1,5 m/s ²	1,69 m/s ² / 1,5 m/s ²

⚠ WARNING!

The vibration and noise emission level given in this information sheet has been measured in accordance with a standardized test given in EN 62841 and may be used to compare one tool with another. It may be used for a preliminary assessment of exposure.

The declared vibration and noise emission level represents the main applications of the tool. However if the tool is used for different applications, with different accessories or poorly maintained, the vibration and noise emission may differ. This may significantly increase the exposure level over the total working period.

An estimation of the level of exposure to vibration and noise should also take into account the times when the tool is switched off or when it is running but not actually doing the job. This may significantly reduce the exposure level over the total working period.

Identify additional safety measures to protect the operator from the effects of vibration and/or noise such as: maintain the tool and the accessories, keep the hands warm, organization of work patterns.

⚠ WARNING! Read all safety warnings, instructions, illustrations and specifications provided with this power tool. Failure to follow all instructions listed below may result in electric shock, fire and/or serious injury.

Save all warnings and instructions for future reference.

SAFETY INSTRUCTIONS FOR SANDERS

Collected sanding dust from sanding surface coatings such as polyurethanes, linseed oil, etc. can self-ignite in the vacuum cleaner bag or elsewhere and cause fire. To reduce the risk of fire always empty the vacuum cleaner bag frequently (10-15 minutes) while sanding and never store or leave a vacuum cleaner without totally emptying its vacuum cleaner bag. Also follow the recommendations of the coatings manufacturers.

ADDITIONAL SAFETY AND WORKING INSTRUCTIONS

Use personal protective equipment. Always wear eye protection. Protective equipment such as a dust mask, non-skid safety shoes, hard hat or hearing protection used for appropriate conditions will reduce personal injuries.

The dust produced when using this tool may be harmful to health. Do not inhale the dust. Wear a suitable dust protection mask. Do not machine any materials that present a danger to health (e.g. asbestos).

Switch the device off immediately if the insertion tool stalls! Do not switch the device on again while the insertion tool is stalled, as doing so could trigger a sudden recoil with a high reactive force. Determine why the insertion tool stalled and rectify this, paying heed to the safety instructions.

The possible causes may be:

- it is tilted in the workpiece to be machined
- it has pierced through the material to be machined
- the power tool is overloaded

Do not reach into the machine while it is running.

The insertion tool is sharp-edged and can become hot during use.

WARNING! Danger of cuts and burns

- when handling the insertion tools
- when setting the device down.

Wear protective gloves when handling insertion tools.

Chips and splinters must not be removed while the machine is running.

When working in walls ceiling, or floor, take care to avoid electric cables and gas or waterpipes.

Clamp your workpiece with a clamping device. Unclamped workpieces can cause severe injury and damage.

Remove the battery pack before starting any adjustment, cleaning and maintenance work on the device.

WARNING! To reduce the risk of fire, personal injury, and product damage due to a short circuit, never immerse your tool, battery pack or charger in fluid or allow a fluid to flow inside them. Corrosive or conductive fluids, such as seawater, certain industrial chemicals, and bleach or bleach containing products, etc., Can cause a short circuit.

Never break open battery packs and chargers and store only in dry rooms. Keep dry at all times.

Use only System M12 chargers for charging System M12 battery packs. Do not use battery packs from other systems.

SPECIFIED CONDITIONS OF USE

The belt sander can be used for sanding wood, plastic, metal, filler and painted surfaces.

This machine is suitable only for dry sanding.

Do not use the product in any way other than those stated for intended use.

RESIDUAL RISK

Even when the product is used as prescribed, it is still impossible to completely eliminate certain residual risk factors. The following hazards may arise in use and the operator should pay special attention to avoid the following:

- Injury caused by vibration. Hold the product by designated handles and restrict working time and exposure.
- Exposure to noise can cause hearing injury. Wear ear protection and limit exposure.
- Injury due to flying debris. Wear eye protection, heavy long trousers and substantial footwear at all times.
- Inhalation of toxic dusts.

NOTES FOR LI-ION BATTERIES

Use of Li-Ion batteries

Battery packs which have not been used for some time should be recharged before use.

Temperatures in excess of 50°C (122°F) reduce the performance of the battery pack. Avoid extended exposure to heat or sunshine (risk of overheating).

The contacts of chargers and battery packs must be kept clean.

For an optimum life-time, the battery packs have to be fully charged, after use.

To obtain the longest possible battery life remove the battery pack from the charger once it is fully charged.

For battery pack storage longer than 30 days:

Store the battery pack where the temperature is below 27°C and away from moisture

Store the battery packs in a 30% - 50% charged condition
Every six months of storage, charge the pack as normal.

Battery protection for Li-Ion batteries

In extremely high torque, binding, stalling and short circuit situations that cause high current draw, the tool will vibrate for about 5 seconds, the fuel gauge will flash, and then the tool will turn OFF.

To reset, release the trigger. Under extreme circumstances, the internal temperature of the battery pack could raise too much. If this happens, the fuel gauge will flash until the battery pack cooled down. After the lights go off, the work may continue.

Transporting Lithium Batteries

Lithium-ion batteries are subject to the Dangerous Goods Legislation requirements.

Transportation of those batteries has to be done in accordance with local, national and international provisions and regulations.

The user can transport the batteries by road without further requirements.

Commercial transport of Lithium-Ion batteries by third parties is subject to Dangerous Goods regulations. Transport preparation and transport are exclusively to be carried out by appropriately trained persons and the process has to be accompanied by corresponding experts.

When transporting batteries:

Ensure that battery contact terminals are protected and insulated to prevent short circuit.

Ensure that battery pack is secured against movement within packaging. Do not transport batteries that are cracked or leak. Check with forwarding company for further advice.

WORKING INSTRUCTIONS

The stock removal rate during sanding and the surface finish are essentially determined by the choice of sanding belt and the preselected belt speed. The higher the belt speed, the higher the stock removal and the finer the sanding surface.

Only flawless abrasive belts produce good sanding performance and protect the power tool. If possible, work with a low contact pressure to increase the service life of the sanding belts. The dead weight of the power tool is sufficient for good sanding performance. Excessive increase of the contact pressure does not result in higher sanding performance, but in greater wear of the power tool and the sanding belt.

Place the power tool switched on on the surface to be machined. Work at a moderate feed rate and carry out the sanding process parallel and overlapping to the sanding paths. Sand in the direction of the grain, crosswise sanding tracks result in disturbing sanding effects.

Particularly when sanding off paint residues, these may melt and smear the material surface and the sanding belt. Therefore, work with dust extraction.

A sanding belt with which metal has already been processed should not be used for other materials.

Only store abrasive belts in a hanging position and do not bend them, otherwise they will become unusable.

Preselect belt speed

The required belt speed depends on the material and the working conditions and can be determined using practical tests.

CLEANING














The ventilation slots of the machine must be kept clear at all times.

MAINTENANCE

Use only Milwaukee accessories and Milwaukee spare parts. Should components need to be replaced which have not been described, please contact one of our Milwaukee service agents (see our list of guarantee/service addresses).

If needed, an exploded view of the tool can be ordered. Please state the Article No. as well as the machine type printed on the label and order the drawing at your local service agents or directly at: Techtronic Industries GmbH, Max-Eyth-Straße 10, 71364 Winnenden, Germany.

SYMBOLS

	Please read the instructions carefully before starting the machine.
	CAUTION! WARNING! DANGER!
	Remove the battery pack before starting any work on the appliance.
	Always wear goggles when using the machine.
	Wear a suitable dust protection mask.
	Rotation direction
	Accessory - Not included in standard equipment, available as an accessory.
	Do not dispose electric tools, batteries/rechargeable batteries together with household waste material. Electric tools and batteries that have reached the end of their life must be collected separately and returned to an environmentally compatible recycling facility. Check with your local authority or retailer for recycling advice and collection point.
n_0	Belt speed no load
V	Voltage
	Direct Current
	European Conformity Mark
	British Conformity Mark
	Ukraine Conformity Mark
	EurAsian Conformity Mark

TECHNISCHE DATEN	M12 FBFL10	M12 FBFL13
Bauart	Bandfeile	Bandfeile
Produktionsnummer	4919 22 01 XXXXXX MJJJJ	4919 32 01 XXXXXX MJJJJ
Spannung Wechselakku	12 V =	12 V =
Bandgeschwindigkeit, hohe Geschwindigkeit	0 - 18,5 m/s	0 - 18,4 m/s
Bandgeschwindigkeit, niedrige Geschwindigkeit	0 - 9,2 m/s	0 - 9,3 m/s
Breite Band	10 mm / 3/8"	13 mm / 1/2"
Bandlänge	330 mm / 13"	457 mm / 18"
Gewicht nach EPTA-Prozedur 01/2014 (Li-Ion 2,0 Ah ... 6,0 Ah)	1,0 ... 1,2 kg	1,1 ... 1,3 kg
Empfohlene Umgebungstemperatur für den Betrieb	-18 ... +50 °C	-18 ... +50 °C
Empfohlene Akku Typen	M12B...	M12B...
Empfohlene Ladegeräte	C12C; M12-18...; M12C4; M12TC	C12C; M12-18...; M12C4; M12TC
Geräuschinformation		
Messwerte ermittelt entsprechend EN 62841. Der A-bewertete Geräuschpegel des Gerätes beträgt typischerweise:		
Schalldruckpegel / Unsicherheit K	70 dB (A) / 3 dB (A)	68 dB (A) / 3 dB (A)
Schalleistungspegel / Unsicherheit K	81 dB (A) / 3 dB (A)	79 dB (A) / 3 dB (A)
Gehörschutz tragen!		
Vibrationsinformationen		
Schwingungsgesamtwerte (Vektorsumme dreier Richtungen) ermittelt entsprechend EN 62841.		
Schwingungsemissionswert a_v / Unsicherheit K	2,16 m/s ² / 1,5 m/s ²	1,69 m/s ² / 1,5 m/s ²

⚠️ WARNUNG!

Die angegebenen Schwingungsgesamtwerte und Geräuschemissionswerte wurden nach einem genormten Messverfahren gemäß EN 62841 gemessen und können für den Vergleich von Elektrowerkzeugen miteinander verwendet werden. Sie können für eine vorläufige Einschätzung der Belastung verwendet werden.

Der angegebene Schwingungs- und Geräuschemissionspegel repräsentiert die hauptsächlichsten Anwendungen des Elektrowerkzeugs. Wenn allerdings das Elektrowerkzeug für andere Anwendungen, mit abweichenden Eingeisungen oder ungenügender Wartung eingesetzt wird, können sich die Schwingungs- und Geräuschemissionen unterscheiden. Dies kann deren Wirkung über den gesamten Arbeitszeitraum deutlich erhöhen.

Bei der Abschätzung der Belastung durch Schwingungen und Lärm sollten auch die Zeiten berücksichtigt werden, in denen das Elektrowerkzeug ausgeschaltet ist oder zwar läuft, aber keine tatsächliche Arbeit verrichtet wird. Dies kann deren Wirkung über den gesamten Arbeitszeitraum deutlich reduzieren.

Legen Sie zusätzliche Sicherheitsmaßnahmen zum Schutz des Bedieners vor den Auswirkungen von Schwingungen- und / oder Lärm fest, wie z. B.: Wartung des Werkzeugs und des Zubehörs, Warmhalten der Hände, Organisation der Arbeitsabläufe.

⚠️ WARNUNG! Lesen Sie alle Sicherheitshinweise, Anweisungen, Bebilderungen und technischen Daten, mit denen dieses Elektrowerkzeug versehen ist. Versäumnisse bei der Einhaltung der nachfolgenden Anweisungen können elektrischen Schlag, Brand und/oder schwere Verletzungen verursachen. **Bewahren Sie alle Sicherheitshinweise und Anweisungen für die Zukunft auf.**

SICHERHEITSHINWEISE FÜR SCHLEIFER

Ansammlungen von Schleifstaub durch das Abschleifen von Oberflächenbeschichtungen wie Polyurethan, Leinöl usw. können sich im Staubbeutel des Staubsaugers oder an anderen Orten von selbst entzünden und einen Brand verursachen. Um Brandrisiken zu reduzieren, leeren Sie den Staubsaugerbeutel während des Schleifvorgangs häufig aus (alle 10 bis 15 Minuten) und stellen Sie einen Staubsauger niemals ab, ohne vorher seinen Staubsaugerbeutel vollständig geleert zu haben. Befolgen Sie außerdem die Empfehlungen der Beschichtungshersteller.

WEITERE SICHERHEITS- UND ARBEITSHINWEISE

Tragen Sie persönliche Schutzausrüstung und immer eine Schutzbrille. Das Tragen persönlicher Schutzausrüstung, wie Staubmaske, rutschfeste Sicherheitsschuhe, Schutzhelm oder Gehörschutz, je nach Art und Einsatz des Elektrowerkzeuges, verringert das Risiko von Verletzungen.

Beim Arbeiten entstehender Staub ist oft gesundheitsschädlich und sollte nicht in den Körper gelangen. Geeignete Staubschutzmaske tragen. Es dürfen keine Materialien bearbeitet werden, von denen eine Gesundheitsgefährdung ausgeht (z.B. Asbest).

Beim Blockieren des Einsatzwerkzeuges bitte das Gerät sofort ausschalten! Schalten Sie das Gerät nicht wieder ein, solange das Einsatzwerkzeug blockiert ist; hierbei könnte ein Rückschlag mit hohem Reaktionsmoment entstehen. Ermitteln und beheben Sie die Ursache für die Blockierung des Einsatzwerkzeuges unter Berücksichtigung der Sicherheitshinweise.

Mögliche Ursachen dafür können sein:

- Verkanten im zu bearbeitenden Werkstück
- Durchbrechen des zu bearbeitenden Materials
- Überlasten des Elektrowerkzeuges

Greifen Sie nicht in die laufende Maschine.

Das Einsatzwerkzeug ist scharfkantig und kann während der Anwendung heiß werden.

WARNUNG! Schnitt- und Verbrennungsgefahr

- bei Handhabung der Einsatzwerkzeuge
- bei Ablegen des Gerätes

Bei der Handhabung der Einsatzwerkzeuge Schutzhandschuhe tragen.

Späne oder Splitter dürfen bei laufender Maschine nicht entfernt werden.

Beim Arbeiten in Wand, Decke oder Fußboden auf elektrische Kabel, Gas- und Wasserleitungen achten.

Sichern Sie Ihr Werkstück mit einer Spannvorrichtung. Nicht gesicherte Werkstücke können schwere Verletzungen und Beschädigungen verursachen.

Vor allen Einstell-, Reinigungs- und Wartungsarbeiten am Gerät den Wechselakku herausnehmen.

WARNUNG! Um die durch einen Kurzschluss verursachte Gefahr eines Brandes, von Verletzungen oder Produktbeschädigungen zu vermeiden, tauchen Sie das Werkzeug, den Wechselakku oder das Ladegerät nicht in Flüssigkeiten ein und sorgen Sie dafür, dass keine Flüssigkeiten in die Geräte und Akkus eindringen. Korrodierende oder leitfähige Flüssigkeiten, wie Salzwasser, bestimmte Chemikalien und Bleichmittel oder Produkte, die Bleichmittel enthalten, können einen Kurzschluss verursachen.

Wechselakkus und Ladegeräte nicht öffnen und nur in trockenen Räumen lagern. Vor Nässe schützen.

Wechselakku des Systems M12 nur mit Ladegeräten des Systems M12 laden. Keine Akkus aus anderen Systemen laden.

BESTIMMUNGSGEMÄSSE VERWENDUNG

Der Bandschleifer kann zum Schleifen von Holz, Kunststoff, Metall, Füllstoffen und lackierten Oberflächen eingesetzt werden.

Diese Maschine ist nur für Trockenschliff geeignet!

Verwenden Sie das Produkt nur für den bestimmungsgemäßen Gebrauch.

RESTRISIKEN

Auch bei ordnungsgemäßer Verwendung können nicht alle Restrisiken ausgeschlossen werden. Beim Gebrauch können folgende Gefahren entstehen, auf die der Bediener besonders achten sollte:

- Durch Vibration verursachte Verletzungen. Halten Sie das Gerät an den dafür vorgesehenen Griffen und begrenzen Sie die Arbeits- und Expositionszeit.
- Lärmbelastung kann zu Gehörschädigungen führen. Tragen Sie einen Gehörschutz und schränken Sie die Expositionsdauer ein.
- Durch Schmutzpartikel verursachte Augenverletzungen. Tragen Sie immer eine Schutzbrille, feste lange Hosen, Handschuhe und festes Schuhwerk.
- Einatmen von giftigen Stäuben.

HINWEISE FÜR LI-ION-AKKUS

Gebrauch von Li-Ion-Akkus

Längere Zeit nicht benutzte Wechselakkus vor Gebrauch nachladen.

Eine Temperatur über 50°C vermindert die Leistung des Wechselakkus. Längere Erwärmung durch Sonne oder Heizung vermeiden.

Die Anschlusskontakte an Ladegerät und Wechselakku sauber halten.

Für eine optimale Lebensdauer müssen nach dem Gebrauch die Akkus voll geladen werden.

Für eine möglichst lange Lebensdauer sollten die Akkus nach dem Aufladen aus dem Ladegerät entfernt werden.

Bei Lagerung des Akkus länger als 30 Tage:

Bewahren Sie den Akkupack an einem trockenen Ort mit einer Temperatur unter 27 °C auf

Akku bei ca. 30%-50% des Ladezustandes lagern.

Akku alle 6 Monate erneut aufladen.

Akküberlastschutz bei Li-Ion-Akkus

Bei Überlastung des Akkus durch sehr hohen Stromverbrauch, z.B. extrem hohe Drehmomente, plötzlichem Stopp oder Kurzschluss, vibriert das Elektrowerkzeug 5 Sekunden lang, die Ladeanzeige blinkt und das Elektrowerkzeug schaltet sich selbsttätig ab.

Zum Wiedereinschalten, den Schalterdrücker loslassen und dann wieder einschalten. Unter extremen Belastungen erhitzt sich der Akku zu stark. In diesem Fall blinken alle Lampen der Ladeanzeige bis der Akku abgekühlt ist. Nach Erlöschen der Ladeanzeige kann weitergearbeitet werden.

Transport von Lithium-Ionen-Akkus

Lithium-Ionen-Akkus fallen unter die gesetzlichen Bestimmungen zum Gefahrguttransport.

Der Transport dieser Akkus muss unter Einhaltung der lokalen, nationalen und internationalen Vorschriften und Bestimmungen erfolgen.

Verbraucher dürfen diese Akkus ohne Weiteres auf der Straße transportieren.

Der kommerzielle Transport von Lithium-Ionen-Akkus durch Speditionsunternehmen unterliegt den Bestimmungen des Gefahrguttransports. Die Versandvorbereitungen und der Transport dürfen ausschließlich von entsprechend geschulten Personen durchgeführt werden. Der gesamte Prozess muss fachmännisch begleitet werden.

Folgende Punkte sind beim Transport von Akkus zu beachten:

Stellen Sie sicher, dass die Kontakte geschützt und isoliert sind, um Kurzschlüsse zu vermeiden.

Achten Sie darauf, dass der Akkupack innerhalb der Verpackung nicht verrutschen kann. Beschädigte oder auslaufende Akkus dürfen nicht transportiert werden. Wenden Sie sich für weitere Hinweise an Ihr Speditionsunternehmen.

ARBEITSHINWEISE

Die Abtragsleistung beim Schleifen und bei der Oberflächenbearbeitung richtet sich im Wesentlichen nach der Art des Schleifbands und der vorausgewählten Bandgeschwindigkeit. Je höher die Bandgeschwindigkeit ist, desto höher ist die Abtragsleistung und desto feiner wird die abgeschliffene Oberfläche.

Schleifbänder bieten nur dann eine gute Schleifleistung und Schutz für das Elektrowerkzeug, wenn sie im einwandfreien Zustand sind. Arbeiten Sie, insofern möglich, mit einem geringen Anpressdruck, um die Lebensdauer der Schleifbänder zu verlängern. Das Eigengewicht des Elektrowerkzeugs reicht für eine gute Schleifleistung aus. Eine übermäßige Erhöhung des Anpressdrucks führt nicht zu einer besseren Schleifleistung, sondern zu erhöhtem Verschleiß des Elektrowerkzeugs und des Schleifbands.

Platzieren Sie das eingeschaltete Elektrowerkzeug auf der zu bearbeitenden Oberfläche. Arbeiten Sie mit einer mittleren Vorschubgeschwindigkeit und führen Sie den Schleifvorgang parallel aus, wobei sich die Schleifpfade überlappen. Schleifen Sie in Faserrichtung, denn das Schleifen in Querrichtung kann zu unerwünschten Effekten führen.

Insbesondere beim Abschleifen von Farbresten können diese schmelzen und die Oberfläche des Materials und das Schleifband verschmieren. Arbeiten Sie daher mit einer Staubabsaugvorrichtung.

Ein Schleifband, das bereits zum Bearbeiten von Metall verwendet wurde, darf nicht für andere Materialien genutzt werden.

Bewahren sie Schleifbänder immer in einer hängenden Position auf und biegen Sie sie nicht, andernfalls werden sie unbrauchbar.

Vorauswahl der Bandgeschwindigkeit

Die erforderliche Bandgeschwindigkeit ist abhängig von dem Werkstoff und den Arbeitsbedingungen und kann im Rahmen von praktischen Tests ermittelt werden.

REINIGUNG

Stets die Lüftungsschlitze der Maschine sauber halten.

WARTUNG

Nur Milwaukee Zubehör und Milwaukee Ersatzteile verwenden. Bauteile, deren Austausch nicht beschrieben wurde, bei einer Milwaukee Kundendienststelle auswechseln lassen (Broschüre Garantie/Kundendienstadressen beachten).

Bei Bedarf kann eine Explosionszeichnung des Gerätes unter Angabe der Maschinen Type und der sechsstelligen Nummer auf dem Leistungsschild bei Ihrer Kundendienststelle oder direkt bei Techtronic Industries GmbH, Max-Eyth-Straße 10, 71364 Winnenden, Germany angefordert werden.

SYMBOLS



Bitte lesen Sie die Gebrauchsanweisung vor Inbetriebnahme sorgfältig durch.



ACHTUNG! WARNUNG! GEFAHR!



Vor allen Arbeiten am Gerät den Wechselakku herausnehmen.



Beim Arbeiten mit der Maschine stets Schutzbrille tragen.



Geeignete Staubschutzmaske tragen.



Rotationsrichtung



Zubehör - Im Lieferumfang nicht enthalten, empfohlene Ergänzung aus dem Zubehörprogramm.



Elektrogeräte, Batterien/Akkus dürfen nicht zusammen mit dem Hausmüll entsorgt werden. Elektrische Geräte und Akkus sind getrennt zu sammeln und zur umweltgerechten Entsorgung bei einem Verwertungsbetrieb abzugeben. Erkundigen Sie sich bei den örtlichen Behörden oder bei Ihrem Fachhändler nach Recyclinghöfen und Sammelstellen.



Bandgeschwindigkeit, Leerlauf



Spannung



Gleichstrom



Europäisches Konformitätszeichen



Britisches Konformitätszeichen



Ukrainisches Konformitätszeichen



Euroasiatisches Konformitätszeichen

CARACTÉRISTIQUES TECHNIQUES	M12 FBFL10	M12 FBFL13
Type	Lime à bande	Lime à bande
Numéro de série	4919 22 01 XXXXXX MJJJJ	4919 32 01 XXXXXX MJJJJ
Tension accu interchangeable	12 V =	12 V =
Vitesse de bande, vitesse élevée	0 - 18,5 m/s	0 - 18,4 m/s
Vitesse de bande, vitesse faible	0 - 9,2 m/s	0 - 9,3 m/s
Large bande	10 mm / 3/8"	13 mm / 1/2"
Longueur de la bande	330 mm / 13"	457 mm / 18"
Poids suivant EPTA-Procédure 01/2014 (Li-Ion 2,0 Ah ... 6,0 Ah)	1,0 ... 1,2 kg	1,1 ... 1,3 kg
Température ambiante conseillée pour le fonctionnement	-18 ... +50 °C	-18 ... +50 °C
Batteries conseillées	M12B...	M12B...
Chargeurs conseillés	C12C; M12-18...; M12C4; M12TC	C12C; M12-18...; M12C4; M12TC
Informations sur le bruit Valeurs de mesure obtenues conformément à la EN 62841. Les mesures réelles (des niveaux acoustiques de l'appareil) sont :		
Niveau de pression acoustique / Incertitude K	70 dB (A) / 3 dB (A)	68 dB (A) / 3 dB (A)
Niveau d'intensité acoustique / Incertitude K	81 dB (A) / 3 dB (A)	79 dB (A) / 3 dB (A)
Toujours porter une protection acoustique!		
Informations sur les vibrations Valeurs totales des vibrations (somme vectorielle de trois sens) établies conformément à EN 62841.		
Valeur d'émission vibratoire a_h / Incertitude K	2,16 m/s ² / 1,5 m/s ²	1,69 m/s ² / 1,5 m/s ²

AVERTISSEMENT!

Le niveau de vibration et d'émissions sonores indiqué dans cette fiche de données a été mesuré en respect d'une méthode standard de test selon la norme EN 62841 et peut être utilisé pour comparer les outils entre eux. Il peut être utilisé pour évaluation préliminaire de l'exposition.

Le niveau de vibration et d'émissions sonores déclaré correspond à l'application principale de l'outil. Cependant, si l'outil est utilisé pour des applications différentes, avec différents accessoires ou est mal entretenu, les vibrations et les émissions sonores peuvent différer. Cela peut augmenter considérablement le niveau d'exposition au cours de la période de travail totale.

Une estimation du niveau d'exposition aux vibrations et au bruit devrait également tenir compte des temps d'arrêt de l'outil ou des périodes où il est en marche mais n'effectue pas réellement le travail. Cela peut réduire considérablement le niveau d'exposition au cours de la période de travail totale.

Identifier des mesures de sécurité supplémentaires pour protéger l'opérateur des effets des vibrations et/ou du bruit tels que : l'entretien de l'outil et des accessoires, le maintien au chaud des mains, l'organisation des processus de travail.

AVERTISSEMENT! Lisez toutes les consignes de sécurité, instructions, présentations et données que vous recevez avec l'appareil. Le fait de ne pas suivre toutes les instructions données cidessous peut provoquer un choc électrique, un incendie et/ou une blessure grave.

Bien garder tous les avertissements et instructions.

CONSIGNES DE SÉCURITÉ POUR LES PONCEUSES

La poussière de ponçage recueillie lors du ponçage de revêtements de surface tels que les polyuréthanes, l'huile de lin, etc. peut s'enflammer dans le sac d'aspirateur ou ailleurs et provoquer un incendie. Pour réduire le risque d'incendie, videz toujours le sac d'aspirateur fréquemment (10-15 minutes) pendant le ponçage et ne rangez ou ne laissez jamais un aspirateur sans vider complètement son sac. Suivez également les recommandations des fabricants de revêtements.

AVIS COMPLÉMENTAIRES DE SÉCURITÉ ET DE TRAVAIL

Utiliser un équipement de sécurité. Toujours porter une protection pour les yeux. Les équipements de sécurité tels que les masques contre les poussières, les chaussures de sécurité antidérapantes, les casques ou les protections acoustiques utilisés pour les conditions appropriées réduiront les blessures de personnes.

Les poussières qui sont dégagées pendant les travaux sont souvent nocives pour la santé et ne devraient pas pénétrer dans le corps. Porter un masque de protection approprié contre les poussières. Il est interdit de travailler des matériaux dangereux pour la santé (par ex. amiante).

Désactiver immédiatement le dispositif en cas de blocage ! Ne pas réactiver le dispositif avec l'outil bloqué; il y a le risque de

provoquer un contrecoup avec moment de réaction élevé. Établir et éliminer la cause du blocage de l'outil en prêtant attention aux consignes de sécurité.

Les causes possibles sont :

- Encastrement dans la pièce à travailler.
- Le dispositif a traversé le matériau à travailler en le cassant.
- Le dispositif électrique a été surchargé.

Ne pas approcher les mains de la partie en mouvement de la machine.

L'outil d'insertion présente des arêtes vives et peut devenir chaud pendant son utilisation.

AVERTISSEMENT ! Risque de coupures et de brûlures

- lors de la manipulation des outils d'insertion
- durant la dépose de l'outil

Lors de la manipulation des outils d'insertion, portez des gants de protection.

Ne jamais enlever les copeaux ni les éclats lorsque la machine est en marche.

Lors du perçage dans les murs, les plafonds ou les planchers, toujours faire attention aux câbles électriques et aux conduites de gaz et d'eau.

Fixer fermement la pièce en exécution à l'aide d'un dispositif de serrage. Des pièces en exécution non fermement fixées peuvent provoquer des dommages et des lésions graves.

Retirer le bloc-batterie avant de procéder à tout réglage, nettoyage et travail de maintenance sur l'appareil.

AVERTISSEMENT! Pour réduire le risque d'incendie, de blessures corporelles et de dommages causés par un court-circuit, ne jamais

immerger l'outil, le bloc-piles ou le chargeur dans un liquide ou laisser couler un fluide à l'intérieur de celui-ci. Les fluides corrosifs ou conducteurs, tels que l'eau de mer, certains produits chimiques industriels, les produits de blanchiment ou de blanchiment, etc., peuvent provoquer un court-circuit.

Ne pas ouvrir les accus interchangeables et les chargeurs et ne les stocker que dans des locaux secs. Les protéger contre l'humidité.

Ne charger les accus interchangeables du système M12 qu'avec le chargeur d'accus du système M12. Ne pas charger des accus d'autres systèmes.

UTILISATION CONFORME AUX PRESCRIPTIONS

La ponceuse à bande peut être utilisée pour le ponçage du bois, du plastique, du métal, des mastics et des surfaces peintes.

Cette machine n'est prévue que pour le travail à sec.

Ne pas utiliser le produit d'une autre manière que celle indiquée pour l'usage auquel il est destiné.

RISQUES RÉSIDUELS

Même en cas d'utilisation correcte, il n'est pas possible d'exclure tous les risques résiduels. Lors de l'utilisation, les risques suivants pourront être présents et l'utilisateur devra prêter une attention particulière en vue de les éviter :

- Blessures causées par les vibrations. Tenir le dispositif à l'aide de ses poignées et limiter les temps de travail et d'exposition.
- L'exposition au bruit peut causer des dommages auditifs. Porter une protection auditive et limiter la durée de l'exposition.
- Lésions oculaires causées par des particules de déchets. Toujours porter des lunettes de sécurité, de pantalon long, des gants et des chaussures robustes.
- Inhalation de gaz toxiques.

REMARQUE CONCERNANT LES ACCUS LI-ION

Utilisation d'accus Li-Ion

Recharger les accus avant utilisation après une longue période de non utilisation.

Une température supérieure à 50°C amoindrit la capacité des accus. Éviter les expositions prolongées au soleil ou au chauffage. Tenir propres les contacts des accus et des chargeurs.

Pour une durée de vie optimale, les accus doivent être chargés à fond après l'utilisation.

Pour une plus longue durée de vie, enlever les batteries du chargeur de batterie quand celles-ci seront chargées.

En cas d'entreposage de la batterie pour plus de 30 jours: Conservez le bloc-piles dans un endroit où la température est inférieure à 27 °C et à l'abri de l'humidité.

Entreposer la batterie avec une charge d'environ 30% - 50%. Recharger la batterie tous les 6 mois.

Protection des accus Li-Ion

En cas d'une surcharge de l'accu à cause d'une très haute consommation de courant, par exemple suite à des couples extrêmement élevés, un arrêt soudain ou un court-circuit, l'outil électrique vibre pendant 5 secondes, l'indicateur de charge clignote et l'outil électrique se déconnecte automatiquement.

Pour le ré-enclencher, relâcher le poussoir de l'interrupteur, puis enclencher à nouveau l'appareil. Sous des sollicitations extrêmes, l'accu s'échauffe trop fortement. Dans ce cas, tous les témoins de l'indicateur de charge clignotent jusqu'à ce que l'accu se soit refroidi. Il est possible de continuer à travailler dès que l'indicateur de charge s'est éteint.

Transport de batteries lithium-ion

Les batteries lithium-ion sont soumises aux dispositions législatives concernant le transport de produits dangereux.

Le transport de ces batteries devra s'effectuer dans le respect des dispositions et des normes locales, nationales et internationales.

Les utilisateurs peuvent transporter ces batteries sans restrictions.

Le transport commercial de batteries lithium-ion est réglé par les

dispositions concernant le transport de produits dangereux. La préparation au transport et le transport devront être effectués uniquement par du personnel formé de façon adéquate. Tout le procédé devra être géré d'une manière professionnelle.

Durant le transport de batteries il faut respecter les consignes suivantes :

S'assurer que les contacts soient protégés et isolés en vue d'éviter des courts-circuits.

S'assurer que le groupe de batteries ne puisse pas se déplacer à l'intérieur de son emballage. Des batteries endommagées ou des batteries perdant du liquide ne devront pas être transportées. Pour tout renseignement complémentaire veuillez vous adresser à votre transporteur professionnel.

CONSIGNES DE TRAVAIL

Le taux d'enlèvement de matière pendant le ponçage et l'état de surface sont essentiellement déterminés par le choix de la bande abrasive et la vitesse présélectionnée de la bande. Plus la vitesse de la bande est élevée, plus l'enlèvement de matière est important et plus la surface de ponçage est fine.

Seules les bandes abrasives irréprochables produisent de bonnes performances de ponçage et protègent l'outil électrique. Si possible, travailler avec une faible pression de contact pour augmenter la durée de vie des bandes abrasives. Le poids mort de l'outil électrique est suffisant pour une bonne performance de ponçage. Une augmentation excessive de la pression de contact n'entraîne pas une meilleure performance de ponçage, mais une plus grande usure de l'outil électrique et de la bande abrasive.

Placez l'outil électrique allumé sur la surface à usiner. Travaillez à une vitesse d'avance modérée et effectuez le ponçage parallèlement aux trajectoires de ponçage et en les chevauchant. Poncez dans le sens du grain, les traces de ponçage transversales entraînent des effets de ponçage gênants.

En particulier lors du ponçage des résidus de peinture, ceux-ci peuvent fondre et salir la surface du matériau et la bande abrasive. Il faut donc travailler avec un système d'aspiration des poussières.

Une bande abrasive avec laquelle le métal a déjà été traité ne doit pas être utilisée pour d'autres matériaux.

Ne stockez les bandes abrasives qu'en position suspendue et ne les pliez pas, sinon elles deviendront inutilisables.

Présélectionner la vitesse de la bande

La vitesse de bande requise dépend du matériau et des conditions de travail et peut être déterminée par des essais pratiques.

LAVAGE

Tenir toujours propres les orifices de ventilation de la machine.

ENTRETIEN

Utiliser uniquement les accessoires Milwaukee et les pièces détachées Milwaukee. Faire remplacer les composants dont le remplacement n'a pas été décrit, par un des centres de service après-vente Milwaukee (observer la brochure avec les adresses de garantie et de service après-vente).

Si besoin est, une vue éclatée de l'appareil peut être fournie. S'adresser, en indiquant bien le numéro porté sur la plaque signalétique, à votre station de service après-vente (voir liste jointe) ou directement à Techtronic Industries GmbH, Max-Eyth-Straße 10, 71364 Winnenden, Germany.

SYMBLES

	Veuillez lire avec soin le mode d'emploi avant la mise en service
	ATTENTION! AVERTISSEMENT! DANGER!
	Avant tous travaux sur l'appareil retirer l'accu interchangeable.
	Toujours porter des lunettes protectrices en travaillant avec la machine.
	Porter un masque de protection approprié contre les poussières.
	Sens de rotation
	Accessoires - Ces pièces ne font pas partie de la livraison. Il s'agit là de compléments recommandés pour votre machine et énumérés dans le catalogue des accessoires.
	Les dispositifs électriques, les batteries et les batteries rechargeables ne sont pas à éliminer dans les déchets ménagers. Les dispositifs électriques et les batteries sont à collecter séparément et à remettre à un centre de recyclage en vue de leur élimination dans le respect de l'environnement. S'adresser aux autorités locales ou au détaillant spécialisé en vue de connaître l'emplacement des centres de recyclage et des points de collecte.
n_0	Vitesse de bande, à vide
v	Tension
	Courant continu
	Marque de conformité européenne
	Marque de conformité britannique
	Marque de conformité ukrainienne
001	
	Marque de conformité d'Eurasie

DATI TECNICI

	M12 FBFL10	M12 FBFL13
Tipo di costruzione	Lima a nastro	Lima a nastro
Numero di serie	4919 22 01 XXXXXX MJJJJ	4919 32 01 XXXXXX MJJJJ
Tensione batteria	12 V \approx	12 V \approx
Velocità, Alta velocità	0 - 18,5 m/s	0 - 18,4 m/s
Velocità, Bassa velocità	0 - 9,2 m/s	0 - 9,3 m/s
Nastro largo	10 mm / 3/8"	13 mm / 1/2"
Lunghezza nastro	330 mm / 13"	457 mm / 18"
Peso secondo la procedura EPTA 01/2014 (Li-Ion 2,0 Ah ... 6,0 Ah)	1,0 ... 1,2 kg	1,1 ... 1,3 kg
Temperatura ambiente consigliata per il funzionamento	-18 ... +50 °C	-18 ... +50 °C
Batterie consigliate	M12B...	M12B...
Caricatori consigliati	C12C; M12-18...; M12C4; M12TC	C12C; M12-18...; M12C4; M12TC
Informazioni sulla rumorosità Valori misurati conformemente alla norma EN 62841. La misurazione A del livello di pressione acustica dell'utensile è di solito di:		
Livello di rumorosità / Incertezza della misura K	70 dB (A) / 3 dB (A)	68 dB (A) / 3 dB (A)
Potenza della rumorosità / Incertezza della misura K	81 dB (A) / 3 dB (A)	79 dB (A) / 3 dB (A)
Utilizzare le protezioni per l'udito!		
Informazioni sulle vibrazioni Valori totali delle oscillazioni (somma di vettori in tre direzionimisurati conformemente alla norma EN 62841.		
Valore di emissione dell'oscillazione a_n / Incertezza della misura K	2,16 m/s ² / 1,5 m/s ²	1,69 m/s ² / 1,5 m/s ²

AVVERTENZA!

Il/i valore/i di emissione acustica riportato/i in questa scheda informativa sono stati misurati conformemente a un metodo di prova standard sulla base della norma EN 62841 e possono essere utilizzati per confrontare gli utensili tra loro. Può/possono essere utilizzato/i anche per una valutazione preliminare dell'esposizione.

Il livello di vibrazione ed emissione acustica dichiarata rappresenta le applicazioni principali dell'utensile. Tuttavia, se l'utensile è utilizzato per applicazioni diverse, con accessori differenti o una manutenzione non adeguata, la vibrazione e l'emissione acustica potrebbero variare. Ciò può aumentare significativamente il livello di esposizione durante l'intera durata del lavoro.

Una stima del livello di esposizione alle vibrazioni e al rumore dovrebbe tenere conto anche dei periodi in cui l'utensile è spento o è in funzione ma non sta lavorando. Ciò può ridurre significativamente il livello di esposizione durante l'intera durata del lavoro.

Identificare le misure di sicurezza supplementari per proteggere l'operatore dagli effetti delle vibrazioni e/o del rumore, ad esempio eseguendo la manutenzione dell'utensile e degli accessori, mantenendo le mani calde e organizzando gli schemi di lavoro.

AVVERTENZA! Leggere tutte le avvertenze di sicurezza, le istruzioni, le illustrazioni e i dati forniti a corredo dell'apparecchio. In caso di mancata osservanza delle seguenti istruzioni vi è il pericolo di provocare una scossa elettrica, di sviluppare incendi e/o di provocare seri incidenti.

Conservare tutte le avvertenze di pericolo e le istruzioni operative per ogni esigenza futura.

(ISTRUZIONI DI SICUREZZA PER LEVIGATRICI)

La polvere di sabbatura prelevata dai rivestimenti della superficie sabbata (poliuretani, olio di lino, ecc.) può autoincendiarsi nel sacchetto dell'aspirapolvere o altrove e causare un incendio. Per ridurre il rischio di incendio, durante la sabbatura vuotare sempre il sacchetto dell'aspirapolvere con una certa frequenza (10-15 minuti) e non riporre mai l'aspirapolvere o non allontanarsi da esso senza aver prima vuotato completamente il sacchetto. Seguire inoltre le raccomandazioni dei produttori di rivestimenti.

ULTERIORI AVVISI DI SICUREZZA E DI LAVORO

Indossare sempre equipaggiamento protettivo individuale, nonché guanti protettivi. Indossando abbigliamento di protezione personale come la maschera per polveri, scarpe di sicurezza che non scivolino, elmetto di protezione oppure protezione acustica a seconda del tipo e dell'applicazione dell'elettrotensile, si riduce il rischio di incidenti.

La polvere che si produce durante il lavoro è spesso dannosa per la salute e non dovrebbe essere aspirata. Portare un'adeguata mascherina protettiva. E' vietato lavorare materiali che possono costituire pericoli alla salute (ad es. amianto).

Spegnerne immediatamente il dispositivo in caso di bloccaggio! Non riaccendere il dispositivo fino a quando l'utensile ad inserto resta

bloccato; esiste il rischio di causare un contraccolpo con elevato momento di reazione. Rilevare ed eliminare la causa del bloccaggio dell'utensile ad inserto tenendo conto delle indicazioni di sicurezza.

Le possibili cause sono:

- Incastro nel pezzo in lavorazione
- Il dispositivo ha attraversato il materiale da lavorare rompendolo
- Il dispositivo elettrico è stato sovraccaricato

Non avvicinare le mani alla parte della macchina in movimento.

L'utensile ad inserto ha spigoli vivi e può surriscaldarsi durante l'uso.

AVVERTENZA! Pericolo di tagli e bruciature

- quando si maneggiano gli utensili ad inserto

- durante il deposito dell'utensile

Indossare guanti protettivi quando si maneggiano gli utensili ad inserto.

Non rimuovere trucioli o schegge mentre l'utensile è in funzione.

Forando pareti, soffitti o pavimenti, si faccia attenzione ai cavi elettrici e alle condutture dell'acqua e del gas.

Fissare in sicurezza il pezzo in lavorazione con un dispositivo di serraggio. Pezzi in lavorazione che non siano fissati in sicurezza possono causare gravi lesioni e danni.

Prima di eseguire qualsiasi operazione di regolazione, pulizia e manutenzione del dispositivo, rimuovere la batteria.

AVVERTENZA! Per ridurre il rischio d'incendio, di lesioni o di danni al prodotto causati da corto circuito, non immergere mai l'utensile, la batteria ricaricabile o la carica batterie in un liquido e non lasciare mai penetrare alcun liquido all'interno dei dispositivi e delle batterie. I fluidi corrosivi o conduttori come acqua salata, alcuni agenti chimici, agenti candeggianti o prodotti contenenti agenti candeggianti potrebbero provocare un corto circuito.

Non aprire nè la batteria nè il caricatore e conservarli solo in luogo asciutto. Proteggerli dalla umidità.

Le batterie del System M12 sono ricaricabili esclusivamente con i caricatori del System M12. Le batterie di altri sistemi non possono essere ricaricate.

UTILIZZO CONFORME

La levigatrice a nastro può essere usata per levigare legno, plastica, metallo, stucco e superfici verniciate.

Le levigatrici orbitali vanno utilizzate solo per la levigatura a secco. Non utilizzare il prodotto in altri modi diversi da quelli indicati per l'uso previsto.

RISCHI RESIDUI

Anche in caso di utilizzo corretto non è possibile escludere tutti i rischi residui. Durante l'uso possono esistere i seguenti pericoli e l'utilizzatore deve porre particolare attenzione per evitarli:

- Lesioni causate da vibrazioni. Tenere il dispositivo sulle apposite impugnature e limitare i tempi di lavoro e di esposizione.
- L'esposizione al rumore può causare danni all'udito. Indossare una protezione per l'udito e limitare la durata dell'esposizione.
- Lesioni agli occhi causate da particelle di detriti. Indossare sempre occhiali di protezione, pantaloni lunghi pesanti, guanti e scarpe robuste.
- Inalazione di polveri tossiche.

NOTE PER BATTERIE AGLI IONI DI LITIO

Uso di batterie agli ioni di litio

Batterie non utilizzate per molto tempo devono essere ricaricate prima dell'uso.

A temperature superiori ai 50°C, la potenza della batteria si riduce. Evitare di esporre l'accumulatore a surriscaldamento prolungato, dovuto ad esempio ai raggi del sole o ad un impianto di riscaldamento.

Per una ottimale vita utile è necessario ricaricare completamente le batterie dopo l'uso.

Per una più lunga durata, rimuovere le batterie dal caricabatterie quando saranno cariche.

In caso di immagazzinaggio della batteria per più di 30 giorni: Conservare il pacco batterie in un luogo con una temperatura inferiore a 27 °C e al riparo dall'umidità. Immagazzinare la batteria con carica di circa il 30% - 50%. Ricaricare la batteria ogni 6 mesi.

Protezione contro il sovraccarico di batterie agli ioni di litio

In caso di sovraccarico dell'accumulatore dovuto ad un consumo molto elevato di corrente, ad es. momenti di coppia estremamente elevati, arresto improvviso o corto circuito, l'utensile elettrico vibra per 5 secondi, il display di carica lampeggia e l'elettrotensile si spegne automaticamente.

Per riaccenderlo rilasciare l'interruttore e poi riaccenderlo. Se sottoposto a sollecitazioni estreme l'accumulatore si riscalda eccessivamente. In questo caso lampeggiano tutte le spie del display di carica finché l'accumulatore non è raffreddato. Quando il display di carica si spegne si può continuare a lavorare.

Trasporto di batterie agli ioni di litio

Le batterie agli ioni di litio sono soggette alle disposizioni di legge sul trasporto di merce pericolosa.

Il trasporto di queste batterie deve avvenire rispettando le disposizioni e norme locali, nazionali ed internazionali.

Gli utilizzatori possono trasportare queste batterie su strada senza alcuna restrizione.

Il trasporto commerciale di batterie agli ioni di litio è regolato dalle disposizioni sul trasporto di merce pericolosa. Le preparazioni al trasporto ed il trasporto stesso devono essere svolti esclusivamente da persone idoneamente istruite. Tutto il processo deve essere gestito in maniera professionale.

Durante il trasporto di batterie occorre tenere conto di quanto segue:

Assicurarsi che i contatti siano protetti ed isolati per evitare corto circuiti.

Accertarsi che il gruppo di batterie non possa spostarsi all'interno dell'imballaggio. Batterie danneggiate o batterie che perdono liquido non devono essere trasportate. Per ulteriori informazioni si prega di contattare il proprio trasportatore.

ISTRUZIONI DI LAVORO

Il tasso di asportazione durante la levigatura e la finitura superficiale sono determinati essenzialmente dalla scelta del nastro abrasivo e dalla velocità preselezionata del nastro. Più alta è la velocità del nastro, maggiore è la rimozione del materiale e più fine è la superficie di levigatura.

Solo i nastri abrasivi di qualità impeccabile producono buone prestazioni di levigatura e proteggono l'elettrotensile. Se possibile, lavorare con una bassa pressione di contatto per aumentare la durata di vita utile dei nastri abrasivi. La portata lorda dell'elettrotensile è sufficiente per una buona performance di levigatura. Un aumento eccessivo della pressione di contatto non comporta una maggiore prestazione di levigatura, bensì una maggiore usura dell'elettrotensile e del nastro abrasivo.

Posizionare l'elettrotensile acceso sulla superficie da lavorare. Lavorare con un avanzamento moderato ed eseguire il processo di levigatura parallelamente e sovrapponendosi ai percorsi di levigatura. Levigare nella direzione della venatura. Le tracce di levigatura trasversali provocano effetti di levigatura fastidiosi.

In particolare quando si levigano residui di vernice, questi possono sciogliersi e sporcare la superficie del materiale e il nastro abrasivo. Pertanto, servirsi dell'estrazione della polvere.

Un nastro abrasivo con cui è già stato lavorato del metallo non dovrebbe essere usato per altri materiali.

Conservare i nastri abrasivi solo in posizione appesa e non piegarli, altrimenti diventano inutilizzabili.

Preselezionare la velocità del nastro

La velocità del nastro richiesta dipende dal materiale e dalle condizioni di lavoro e può essere determinata con prove pratiche.

LAVAGGIO E PULIZIA

Tener sempre ben pulite le fessure di ventilazione dell'apparecchio.

MANUTENZIONE

Usare solo accessori Milwaukee e pezzi di ricambio Milwaukee. Gruppi costruttivi la cui sostituzione non è stata descritta, devono essere fatti cambiare da un punto di servizio di assistenza tecnica al cliente Milwaukee (vedi depliant garanzia/indirizzi assistenza tecnica ai clienti).

In caso di mancanza del disegno esploso, può essere richiesto al seguente indirizzo: Techtronic Industries GmbH, Max-Eyth-Straße 10, 71364 Winnenden, Germany.

SIMBOLI



Leggere attentamente le istruzioni per l'uso prima di mettere in funzione l'elettrotensile.



ATTENZIONE! AVVERTENZA! PERICOLO!



Prima di iniziare togliere la batteria dalla apparecchio.



Durante l'uso dell'apparecchio utilizzare sempre gli occhiali di protezione.



Portare un'adeguata mascherina protettiva.



Senso di rotazione



Accessorio - Non incluso nella dotazione standard, disponibile a parte come accessorio.



I dispositivi elettrici, le batterie e le batterie ricaricabili non devono essere smaltiti con i rifiuti domestici. I dispositivi elettrici e le batterie devono essere raccolti separatamente e devono essere conferiti ad un centro di riciclaggio per lo smaltimento rispettoso dell'ambiente. Chiedere alle autorità locali o al rivenditore specializzato dove si trovano i centri di riciclaggio e i punti di raccolta.



n_0 Velocità, a vuoto



V Voltaggio



Corrente continua



Marchio di conformità europeo



Marchio di conformità britannico



Marchio di conformità ucraino



Marchio di conformità euroasiatico

DATOS TÉCNICOS	M12 FBFL10	M12 FBFL13
Tipo de construcción	Lija de banda	Lija de banda
Número de producción	4919 22 01 XXXXXX MJJJJ	4919 32 01 XXXXXX MJJJJ
Voltaje de batería	12 V =	12 V =
Velocidad de la banda, alta velocidad	0 - 18,5 m/s	0 - 18,4 m/s
Velocidad de la banda, baja velocidad	0 - 9,2 m/s	0 - 9,3 m/s
Banda ancha	10 mm / 3/8"	13 mm / 1/2"
Longitud de la banda	330 mm / 13"	457 mm / 18"
Peso de acuerdo con el procedimiento EPTA 01/2014 (Li-Ion 2,0 Ah ... 6,0 Ah)	1,0 ... 1,2 kg	1,1 ... 1,3 kg
Temperatura ambiente recomendada para la operación	-18 ... +50 °C	-18 ... +50 °C
Juegos de baterías recomendados	M12B...	M12B...
Cargadores recomendados	C12C; M12-18...; M12C4; M12TC	C12C; M12-18...; M12C4; M12TC
Información sobre ruidos Determinación de los valores de medición según norma EN 62841. El nivel de ruido típico del aparato determinado con un filtro A corresponde a:		
Presión acústica / Tolerancia K	70 dB (A) / 3 dB (A)	68 dB (A) / 3 dB (A)
Resonancia acústica / Tolerancia K	81 dB (A) / 3 dB (A)	79 dB (A) / 3 dB (A)
Usar protectores auditivos!		
Informaciones sobre vibraciones Nivel total de vibraciones (suma vectorial de tres direcciones) determinado según EN 62841.		
Valor de vibraciones generadas a _n / Tolerancia K	2,16 m/s ² / 1,5 m/s ²	1,69 m/s ² / 1,5 m/s ²

⚠ ADVERTENCIA!

El nivel de emisión de ruido y vibración indicado en esta hoja informativa se ha medido de acuerdo con una prueba estandarizada que figura en EN 62841 y se puede usar para comparar una herramienta con otra. Puede ser empleado para una evaluación preliminar de la exposición.

El nivel declarado emisión de vibración y ruido representa las principales aplicaciones de la herramienta. Sin embargo, si la herramienta se utiliza para diferentes aplicaciones, con diferentes accesorios o con un mantenimiento deficiente, la emisión de ruido y vibración puede diferir. Esto puede aumentar significativamente el nivel de exposición durante el periodo total de trabajo.

También se debe tener en cuenta una estimación del nivel de exposición a la vibración y el ruido cuando la herramienta está apagada o cuando está funcionando, pero no está haciendo su trabajo. Esto puede reducir significativamente el nivel de exposición durante el periodo total de trabajo.

Identifique medidas de seguridad adicionales para proteger al operador de los efectos de la vibración o el ruido, como realizar mantenimiento de la herramienta y los accesorios, mantener las manos calientes y organizar las pautas de trabajo.

⚠ ADVERTENCIA! Lea las indicaciones de seguridad, instrucciones, descripciones y datos que se incluyen en el aparato.

En caso de no atenderse a las instrucciones siguientes, ello puede provocar una electrocución, incendio y/o lesiones serias.

Guardar todas las advertencias de peligro e instrucciones para futuras consultas.

INSTRUCCIONES DE SEGURIDAD PARA LIJADORAS

El polvo de lijado recogido al lijar revestimientos superficiales, como poliuretanos, aceite de linaza, etc., puede ocasionar autoginción en la bolsa del aspirador o en otro lugar y provocar un incendio. Para reducir el riesgo de incendio, vacíe siempre la bolsa del aspirador con frecuencia (10-15 minutos) mientras lija y nunca guarde o deje el aspirador sin haber vaciado totalmente su bolsa. Siga también las recomendaciones de los fabricantes de revestimientos.

INSTRUCCIONES ADICIONALES DE SEGURIDAD Y LABORALES

Utilice un equipo de protección personal y en todo caso unas gafas de protección. El riesgo a lesionarse se reduce considerablemente si, dependiendo del tipo y la aplicación de la herramienta eléctrica empleada, se utiliza un equipo de protección adecuado como una mascarilla antipolvo, zapatos de seguridad con suela antideslizante, casco, o protectores auditivos.

El polvo que se produce durante estos trabajos puede ser nocivo a la salud; es por ello aconsejable que no penetre al cuerpo. Utilice por ello una máscara protectora contra polvo. No se deben trabajar materiales que conlleven un riesgo para la salud (por ej. amianto).

¡En caso de que se bloquee el útil, el aparato se debe desconectar inmediatamente! No vuelva a conectar el aparato, mientras el útil

está bloqueado; se podría producir un rechazo debido a la reacción de retroceso brusca. Averigüe y elimine la causa del bloqueo del útil, teniendo en cuenta las indicaciones de seguridad.

Causas posibles para ello pueden ser:

- Atascamiento o bloqueo en la pieza de trabajo
- Rotura del material con el que está trabajando.
- Sobrecarga de la herramienta eléctrica

No introduzca las manos en la máquina mientras ésta se encuentra en funcionamiento.

La herramienta intercambiable tiene bordes afilados y se puede calentar durante su uso.

¡ADVERTENCIA! Riesgo de cortes y quemaduras

- al manipular las herramientas intercambiables
- en caso de depositar el aparato

Llevar guantes de protección al manipular las herramientas intercambiables.

Nunca se debe intentar limpiar el polvo o viruta procedente del taladrado con la máquina en funcionamiento.

Para trabajar en paredes, techo o suelo, tenga cuidado para evitar los cables eléctricos y tuberías de gas o agua.

Fije la pieza de trabajo con un dispositivo de fijación. Las piezas de trabajo no fijadas pueden causar lesiones graves y deterioros.

Retirar la batería antes de iniciar cualquier trabajo de ajuste, limpieza y mantenimiento en el dispositivo.

ADVERTENCIA! Para reducir el riesgo de incendio, lesiones personales y daños al producto debido a un cortocircuito, no sumerja nunca la herramienta, el paquete de baterías o el cargador en líquido ni permita que fluya un fluido dentro de ellos. Los fluidos

corrosivos o conductivos, como el agua de mar, ciertos productos químicos industriales y blanqueadores o lejías que contienen, etc., Pueden causar un cortocircuito.

No abra nunca las baterías ni los cargadores y guárdelos sólo en lugares secos. Protéjalos de la humedad en todo momento.

Recargar solamente los acumuladores del Sistema M12 en cargadores M12. No intentar recargar acumuladores de otros sistemas.

APLICACIÓN DE ACUERDO A LA FINALIDAD

La lijadora de banda se puede utilizar para lijar madera, plástico, metal, masilla y superficies pintadas.

Las lijadoras orbitales son solamente adecuadas para lijar en seco. No use el producto de ninguna manera que no sea la indicada para el uso previsto.

PELIGROS RESIDUALES

Incluso en caso de un uso correcto, no es posible excluir por completo la existencia de riesgos residuales. Durante el uso de la máquina se pueden producir los siguientes riesgos a tener en cuenta especialmente por el operador de la misma.

- Lesiones provocadas por efecto de la vibración. Sujete el dispositivo utilizando las empuñaduras previstas para ello y limite el tiempo de trabajo y de exposición a riesgos.
- La contaminación acústica puede provocar lesiones auditivas. Lleve una protección auditiva y limite el tiempo de exposición a riesgos.
- Lesiones oculares producidas por partículas de suciedad. Lleve siempre gafas protectoras, pantalones resistentes y largos y calzado resistente..
- Inhalación de polvos tóxicos.

INDICACIONES PARA BATERÍAS DE IONES DE LITIO

Uso de baterías de iones de litio

Las baterías no utilizadas durante cierto tiempo deben ser recargadas antes de usar.

Las temperaturas superiores a 50°C reducen el rendimiento de la batería. Evite una exposición excesiva a fuentes de calor o al sol (riesgo de sobrecalentamiento). Los puntos de contacto de los cargadores y las baterías se deben mantener limpios.

Para un tiempo óptimo de vida, deberán cargarse las baterías completamente después de su uso.

Para garantizar la máxima capacidad y vida útil, las baterías recargables se deberían retirar del cargador una vez finalizada la carga.

En caso de almacenar la batería recargable más de 30 días: Guarde la batería en un lugar con una temperatura inferior a 27 °C y lejos de la humedad

Almacenar la batería recargable con un estado de carga del 30% y 50% aproximadamente.

Recargar la batería cada 6 meses.

Protección de sobrecarga de baterías en baterías de iones de litio

En caso de sobrecarga de la batería a causa de un consumo de corriente demasiado elevado, por ejemplo, en momentos de torsión extremadamente altos, de una parada o cortocircuito repentinos; el aparato eléctrico vibra durante 5 segundos, el indicador de carga parpadea y el aparato eléctrico se desconecta automáticamente.

Para conectarlo de nuevo, soltar el botón de encendido y después conectarlo otra vez. Bajo cargas extremas la batería se calienta demasiado. En este caso, todas las luces del indicador de carga parpadean hasta que la batería se enfría. Cuando se apaga el indicador de carga se puede trabajar de nuevo.

Transporte de baterías de iones de litio

Las baterías de iones de litio caen bajo las disposiciones legales relativas al transporte de mercancías peligrosas.

El transporte de estas baterías recargables debe llevarse a cabo,

observando las normas y disposiciones locales, nacionales e internacionales.

Los consumidores pueden transportar estas baterías recargables sin el menor reparo en la calle.

El transporte comercial de baterías recargables de iones de litio por empresas de transportes está sometido a las disposiciones del transporte de mercancías peligrosas. Las preparaciones para el envío y el transporte deben ser llevados a cabo exclusivamente por personas instruidas adecuadamente. El proceso completo debe ser supervisado por personal competente.

Los siguientes puntos se deben observar para el transporte de las baterías recargables:

Se debe asegurar que los contactos estén protegidos y aislados para evitar que se produzcan cortocircuitos.

Preste atención a que el conjunto de baterías recargables no se pueda desplazar dentro del envase. Las baterías recargables deterioradas o derramadas no se deben transportar. Rogamos que para cualquier información adicional se dirija a su empresa de transportes.

INDICACIONES PARA EL TRABAJO

La tasa de eliminación de material durante el lijado y el acabado de la superficie se determinan esencialmente por la elección de la banda de lijado y la velocidad preseleccionada de la banda. Cuanto mayor sea la velocidad de la banda, mayor será la eliminación de material y más fina será la superficie de lijado.

Solo las bandas abrasivas sin defectos producen un buen rendimiento de lijado y protegen la herramienta eléctrica. Si es posible, trabaje con una presión de contacto baja para aumentar la vida útil de las bandas de lijado. El peso muerto de la herramienta eléctrica es suficiente para unos buenos resultados de lijado. Un aumento excesivo de la presión de contacto no produce unos mejores resultados de lijado, sino un mayor desgaste de la herramienta eléctrica y de la banda de lijado.

Coloque la herramienta eléctrica encendida sobre la superficie para mecanizar. Trabaje a una velocidad de avance moderada y realice el proceso de lijado en paralelo y superponiendo las trayectorias de lijado. Lije en el sentido del grano, ya que las marcas de lijado transversales producen efectos de lijado molestos.

Especialmente al lijar restos de pintura, estos pueden fundirse y manchar la superficie del material y la banda de lijado. Por ello, trabaje con extracción de polvo.

Una banda de lijado con la que ya se ha procesado metal no debe utilizarse para otros materiales.

Almacene las bandas abrasivas únicamente en posición suspendida y no las doble, ya que de lo contrario quedarán inutilizadas.

Preseleccionar la velocidad de la banda

La velocidad necesaria de la banda depende del material y de las condiciones de trabajo y puede determinarse mediante pruebas prácticas.

LIMPIEZA

Las ranuras de ventilación de la máquina deben estar despejadas en todo momento.

MANTENIMIENTO

Utilice solamente accesorios y repuestos Milwaukee. En caso de necesitar reemplazar componentes no descritos, contacte con cualquiera de nuestras estaciones de servicio Milwaukee (consultar lista de servicio técnicos)

En caso necesario, puede solicitar un despiece de la herramienta. Por favor indique el número de impreso que hay en la etiqueta y pida el despiece a la siguiente dirección: Techtronic Industries GmbH, Max-Eyth-Straße 10, 71364 Winnenden, Germany.

SÍMBOLOS

	Lea las instrucciones detenidamente antes de conectar la herramienta
	¡ATENCIÓN! ¡ADVERTENCIA! ¡PELIGRO!
	Retire la batería antes de comenzar cualquier trabajo el aparato.
	Para trabajar con la máquina, utilizar siempre gafas de protección.
	Utilice por ello una máscara protectora contra polvo.
	Dirección de rotación
	Accesorio - No incluido en el equipo estándar, disponible en la gama de accesorios.
	Los electrodomésticos y las baterías/acumuladores no se deben eliminar junto con la basura doméstica. Los aparatos eléctricos y los acumuladores se deben recoger por separado y se deben entregar a una empresa de reciclaje para una eliminación respetuosa con el medio ambiente. Infórmese en las autoridades locales o en su tienda especializada sobre los centros de reciclaje y puntos de recogida.
n_0	Velocidad de la banda, Marcha en vacío
V	Tensión
	Corriente continua
	Marcado de conformidad europeo
	Marcado de conformidad británico
	Marcado de conformidad ucraniano
	Marcado de conformidad euroasiático

CARACTERÍSTICAS TÉCNICAS	M12 FBFL10	M12 FBFL13
Tipo	Lixadora de cinta	Lixadora de cinta
Número de produção	4919 22 01 XXXXXX MJJJJ	4919 32 01 XXXXXX MJJJJ
Tensão do acumulador	12 V =	12 V =
Velocidade da cinta, alta velocidade	0 - 18,5 m/s	0 - 18,4 m/s
Velocidade da cinta, baixa velocidade	0 - 9,2 m/s	0 - 9,3 m/s
banda larga	10 mm / 3/8"	13 mm / 1/2"
Comprimento da cinta	330 mm / 13"	457 mm / 18"
Peso nos termos do procedimento-EPTA 01/2014 (Li-Ion 2,0 Ah ... 6,0 Ah)	1,0 ... 1,2 kg	1,1 ... 1,3 kg
Temperatura ambiente recomendada para a operação	-18 ... +50 °C	-18 ... +50 °C
Conjuntos de baterias recomendados	M12B...	M12B...
Carregadores recomendados	C12C; M12-18...; M12C4; M12TC	C12C; M12-18...; M12C4; M12TC
Informações sobre ruído Valores de medida de acordo com EN 62841.		
O nível de ruído avaliado A do aparelho é tipicamente:		
Nível da pressão de ruído / Incerteza K	70 dB (A) / 3 dB (A)	68 dB (A) / 3 dB (A)
Nível da potência de ruído / Incerteza K	81 dB (A) / 3 dB (A)	79 dB (A) / 3 dB (A)
Use protectores auriculares!		
Informações sobre vibração Valores totais de vibração (soma dos vectores das três direcções) determinadas conforme EN 62841.		
Valor de emissão de vibração a_v / Incerteza K	2,16 m/s ² / 1,5 m/s ²	1,69 m/s ² / 1,5 m/s ²

ATENÇÃO!

O nível de emissão de ruído e vibração fornecido nesta ficha de informações foi medido de acordo com um teste padronizado que se encontra na norma EN 62841, podendo ser utilizado para fazer comparações entre ferramentas. Pode ser utilizado para fazer uma avaliação preliminar da exposição.

O nível de emissão de ruído e vibração declarado representa as principais aplicações da ferramenta. No entanto, se a ferramenta for utilizada para aplicações diferentes ou com acessórios distintos, ou se a sua manutenção for deficiente, a emissão de ruídos e vibrações poderá diferir. Isso poderá aumentar significativamente o nível de exposição ao longo do período de trabalho total.

A estimativa do nível de exposição à vibração e ruído também deve ter em conta os tempos em que a ferramenta, quer desligada quer em funcionamento, não está realmente a trabalhar. Isso poderá reduzir significativamente o nível de exposição ao longo do período de trabalho total.

Identifique medidas de segurança adicionais para proteger o operador contra os efeitos da vibração e/ou ruído, tais como: fazer a manutenção da ferramenta e dos acessórios, manter as mãos quentes, organizar padrões de trabalho.

ATENÇÃO! Ler todas as indicações de segurança, instruções, representações e dados fornecidos juntamente com o aparelho. O desrespeito das seguintes instruções pode levar a um choque eléctrico, incêndio e/ou graves lesões.

Guarde bem todas as advertências e instruções para futura referência.

INSTRUÇÕES DE SEGURANÇA PARA LIXADEIRAS

A poeira recolhida na sequência da lixagem do revestimento de certas superfícies a lixar, como, por exemplo, poliuretanos, óleo de linhaça, etc., pode autoinflamar-se no saco do aspirador ou noutra sítio e provocar incêndios. Para reduzir o risco de incêndio, esvazie sempre o saco do aspirador com frequência (10-15 minutos) durante a lixagem e nunca guarde ou deixe o aspirador em qualquer lado, sem esvaziar totalmente o saco. Além disso, siga as recomendações dos fabricantes dos revestimentos.

INSTRUÇÕES DE SEGURANÇA E TRABALHO SUPLEMENTARES

Utilizar equipamento de protecção pessoal e sempre óculos de protecção. A utilização de equipamento de protecção pessoal, como máscara de protecção contra pó, sapatos de segurança antiderrapantes, capacete de segurança ou protecção auricular, de acordo com o tipo e aplicação da ferramenta eléctrica, reduz o risco de lesões.

O pó que resulta ao trabalhar pode ser nocivo para a saúde, por isso não devendo penetrar no corpo. Use uma máscara de protecção contra pó apropriada. Não devem ser procesados materiais que representem um perigo para a saúde (p. ex. asbesto).

Desligue o aparelho imediatamente, quando a ferramenta de inserção bloquear! Não ligue o aparelho novamente durante o bloqueio da ferramenta de inserção, pois isso pode levar a um

recuo repentino com uma alta força reactiva. Verifique e elimine a causa do bloqueio da ferramenta de inserção, observando as instruções de segurança.

lespejamie iemesli:

- Emperramento na peça a trabalhar
- Ruptura do material a processar
- Sobrecarga da ferramenta eléctrica

Não toque na máquina em operação. A ferramenta tem arestas afiadas e pode ficar quente durante a utilização.

ADVERTÊNCIA! Perigo de corte e queimadura

- no manejo das ferramentas
- ao depositar o aparelho

Use luvas de protecção no manejo das ferramentas.

Não remover aparas ou lascas enquanto a máquina trabalha.

Ao trabalhar em paredes, tectos e soalhos prestar atenção a que não sejam atingidos cabos eléctricos e canalizações de gás e água.

Fixe a peça a trabalhar com um dispositivo de fixação. Peças a trabalhar não fixadas podem levar a feridas graves e danos sérios.

Remova o bloco da bateria antes de iniciar qualquer trabalho de ajuste, limpeza e manutenção no dispositivo.

ATENÇÃO! Para evitar o risco de incêndio, de feridas ou de danificação do produto causado por um curto-circuito, não imerja a bateria intercambiável ou o carregador em líquidos e assegure-se de que líquidos não penetrem nos aparelhos ou nas baterias. Líquidos corrosivos ou condutivos como água salgada, determinadas substâncias químicas ou produtos que contêm branqueadores podem causar um curto-circuito.

Carregadores só devem ser utilizados em recintos secos.

Use apenas carregadores do Sistema M12 para recarregar os acumuladores do Sistema M12. Não utilize acumuladores de outros sistemas.

UTILIZAÇÃO AUTORIZADA

A lixadora de cinta pode ser utilizada para lixar madeira, plástico, metal, material de enchimento e superfícies pintadas.

Lixadeiras vibratórias destinam-se unicamente a trabalhos a seco. Não utilize o produto de qualquer outra forma além das indicadas para a utilização prevista.

RISCOS RESIDUAIS

Mesmo em caso de utilização correta não é possível excluir todos os riscos residuais. Na utilização da máquina podem ser causados os seguintes perigos que o utilizador deve observar:

- Feridas causadas pela vibração. Segure o aparelho nos punhos previstos e limite o tempo de trabalho e exposição.
- Os ruídos podem levar à perda de audição. Use um protetor auricular e limite o período de exposição.
- Feridas dos olhos causadas por partículas de sujeira. Sempre use óculos de proteção, calças compridas sólidas e calçados sólidos.
- Inalação de pó tóxicos.

NOTAS PARA BATERIAS DE IÕES DE LÍTIU

Utilização de iões de lítio

Acumuladores não utilizados durante algum tempo devem ser recarregados antes da sua utilização.

Temperaturas acima de 50°C reduzem a capacidade do bloco acumulador. Evitar exposição prolongada ao sol ou a caloríferos. Manter limpos os contactos eléctricos no carregador e no bloco acumulador.

Para uma vida útil óptima das baterias, terá que carregá-las plenamente após a sua utilização. Para assegurar uma vida útil longa, o pacote de bateria deve ser removido da carregadora depois do carregamento.

Se o pacote de bateria for armazenado por mais de 30 dias: Guarde a bateria num espaço cuja temperatura seja inferior a 27 °C e onde não haja humidade. Armazene o pacote de bateria com aprox. 30%-50% da carga completa. Carregue o pacote de bateria novamente de 6 em 6 meses.

Proteção contra sobrecarga para baterias de iões de lítio

No caso de sobrecarga da bateria devido a um consumo de corrente demasiado elevado, por exemplo um binário de rotação extremamente elevado, uma paragem repentina ou um curto-circuito, a ferramenta eléctrica vibra durante 5 segundos, o indicador de carregamento de bateria começa a piscar e a ferramenta eléctrica desliga-se automaticamente.

Para a ligar novamente, desligar e voltar a ligar o interruptor. Sob condições extremas, a bateria aquece demasiado. Nesse caso, todas as luzes do indicador de carregamento de bateria piscam até que esta arrefeça. Após as luzes do indicador de carregamento de bateria se apagarem, pode-se continuar a trabalhar.

Transporte de baterias de ião-lítio

Baterias de ião-lítio estão sujeitas às disposições da legislação relativa às substâncias perigosas.

O transporte destas baterias deve ser efetuado de acordo com as disposições e os regulamentos locais, nacionais e internacionais.

O utilizador pode efetuar o transporte rodoviário destas baterias sem restrições.

O transporte comercial de baterias de ião-lítio por terceiros está sujeito aos regulamentos relativos às substâncias perigosas. A preparação do transporte e o transporte devem ser executados exclusivamente por pessoas instruídas e o processo deve ser acompanhado pelos especialistas correspondentes.

Observe o seguinte no transporte de baterias:

Assegure-se de que os contactos terminais estejam protegidos e isolados para evitar um curto-circuito.

Assegure-se de que o bloco da bateria esteja protegido contra movimentos na embalagem. Não transporte baterias danificadas ou que tenham fuga. Para instruções mais detalhadas consulte a companhia de transportes

DICAS DE TRABALHO

A taxa de remoção do depósito durante o lixamento e o acabamento de superfícies é determinada principalmente pela escolha da cinta de lixamento e pela velocidade da cinta pré-selecionada. Quanto maior for a velocidade da cinta, maior a remoção do depósito e mais fina a superfície a lixar.

Apenas as cintas abrasivas em perfeito estado garantem um bom desempenho de lixamento e protegem a ferramenta eléctrica. Se possível, trabalhe com baixa pressão de contacto para aumentar a vida útil das cintas de lixa. O peso morto da ferramenta eléctrica é suficiente para um bom desempenho de lixamento. Um aumento excessivo da pressão de contacto não resulta num desempenho de lixamento mais elevado, mas sim num maior desgaste da ferramenta eléctrica e da cinta de lixa.

Coloque a ferramenta eléctrica ligada na superfície a ser tratada. Realize os trabalhos com uma taxa de alimentação moderada e execute o processo de lixamento no modo paralelo e por camadas de passagem de lixa. Lixe na direção do grão, os rastros transversais de lixa resultam num desempenho com resultados anómalos.

Em especial ao lixar resíduos de tinta, estes podem derreter e manchar a superfície do material e a cinta de lixa. Por isso, nestes casos, deve trabalhar com extração de pó.

Não use uma cinta de lixa já processada para o tratamento de metal no tratamento de outros materiais.

Guarde apenas as cintas abrasivas numa posição de suspensão e não as dobre, caso contrário tornar-se-ão inutilizáveis.

Pré-seleção da velocidade da cinta

A velocidade requerida da cinta depende do material e das condições de trabalho e pode ser determinada através de ensaios práticos.

LIMPEZA

Manter desobstruídos os rasgos de ventilação na carcaça da máquina.

MANUTENÇÃO

Utilizar apenas acessórios Milwaukee e peças sobresselentes Milwaukee. Os componentes cuja substituição não esteja descrita devem ser substituídos num serviço de assistência técnica Milwaukee (consultar a brochura relativa à garantia/moradas dos serviços de assistência técnica).

A pedido e mediante indicação da referência que consta da chapa de características da máquina, pode requerer-se um desenho explosivo da ferramenta eléctrica a: Techtronic Industries GmbH, Max-Eyth-Straße 10, 71364 Winnenden, Germany.

SÍMBOLOS

	Leia atentamente o manual de instruções antes de colocar a máquina em funcionamento.
	ATENÇÃO! PERIGO!
	Antes de efectuar qualquer intervenção o aparelho retirar o bloco acumulador.
	Usar sempre óculos de protecção ao trabalhar com a máquina.
	Use uma máscara de protecção contra pó apropriada.
	Sentido de rotação
	Acessório - Não incluído no equipamento normal, disponível como acessório.
	Aparelhos eléctricos, baterias/acumuladores não devem ser jogados no lixo doméstico. Os aparelhos eléctricos e as baterias devem ser colectados separadamente e entregues a uma empresa de reciclagem para a eliminação correcta. Solicite informações sobre empresas de reciclagem e postos de colecta de lixo das autoridades locais ou do seu vendedor autorizado.
n_0	Velocidade da cinta, em vazio
V	Tensão
	Corrente contínua
	Marca de Conformidade Europeia
	Marca de Conformidade Britânica
	Marca de Conformidade Ucraniana
	Marca de Conformidade Eurasiática

TECHNISCHE GEGEVENS	M12 FBFL10	M12 FBFL13
Type	Bandvijl	Bandvijl
Productienummer	4919 22 01 XXXXXX MJJJJ	4919 32 01 XXXXXX MJJJJ
Spanning wisselakku	12 V =	12 V =
Bandsnelheid, hoge snelheid	0 - 18,5 m/s	0 - 18,4 m/s
Bandsnelheid, lage snelheid	0 - 9,2 m/s	0 - 9,3 m/s
Breedte band	10 mm / 3/8"	13 mm / 1/2"
Bandlengte	330 mm / 13"	457 mm / 18"
Gewicht volgens de EPTA-procedure 01/2014 (Li-Ion 2,0 Ah ... 6,0 Ah)	1,0 ... 1,2 kg	1,1 ... 1,3 kg
Aanbevolen omgevingstemperatuur voor het bedrijf	-18 ... +50 °C	-18 ... +50 °C
Aanbevolen accupacks	M12B...	M12B...
Aanbevolen laadtoestellen	C12C; M12-18...; M12C4; M12TC	C12C; M12-18...; M12C4; M12TC
Geluidsinformatie Meetwaarden vastgesteld volgens EN 62841.		
Het kenmerkende A-gewogen geluidsniveau van de machine bedraagt:		
Geluidsdrukniveau / Onzekerheid K	70 dB (A) / 3 dB (A)	68 dB (A) / 3 dB (A)
Geluidsvermogensniveau / Onzekerheid K	81 dB (A) / 3 dB (A)	79 dB (A) / 3 dB (A)
Draag oorbeschermers!		
Trillingsinformatie Totale trillingswaarden (vectorsom van drie richtingebepaald volgens EN 62841.		
Trillingsmissiewaarde a_n / Onzekerheid K	2,16 m/s ² / 1,5 m/s ²	1,69 m/s ² / 1,5 m/s ²

WAARSCHUWING!

De in dit informatieblad vermelde trillings- en geluidsniveaus zijn gemeten in overeenstemming met een standaard testmethode conform EN 62841 en kunnen worden gebruikt om gereedschap met elkaar te vergelijken. Deze kunnen ook worden gebruikt voor het vooraf evalueren van de blootstelling.

De vermelde trillings- en geluidsniveaus gelden voor de meest gebruikelijke toepassingen van het gereedschap. Wanneer het gereedschap echter voor andere doeleinden of met andere hulpstukken gebruikt wordt of niet naar behoren onderhouden wordt, kan de mate van blootstelling over de hele werkperiode aanzienlijk hoger uitvallen.

Voor een nauwkeurige inschatting van de blootstelling aan trillingen en geluid moet ook de tijd in aanmerking worden genomen die het apparaat uitgeschakeld is of weliswaar loopt, maar niet werkelijk in gebruik is. Dit kan de waarde van de mate aan blootstelling over de hele werkperiode aanzienlijk verminderen.

Bepaal extra veiligheidsmaatregelen ter bescherming van de gebruiker tegen de gevolgen van trillingen en/of geluid, bijvoorbeeld: onderhoud van het gereedschap en hulpstukken, warmhouden van de handen, organisatie van de werkprocessen.

WAARSCHUWING! Lees en bekijk alle veiligheidsaanwijzingen, aanwijzingen, afbeeldingen en gegevens die u bij het apparaat ontvangt. Als u de volgende aanwijzingen niet in acht neemt, kunnen een elektrische schok, brand en/of ernstig letsel het gevolg zijn.

Bewaar alle waarschuwingen en voorschriften voor toekomstig gebruik.

VEILIGHEIDSLINSTRUCTIES VOOR SCHUURMACHINES

Zaagsel dat ontstaat door het schuren van coatings zoals polyurethaan, lijnzaadolie, enz. kan spontaan in de stofzuigerzak van de schuurmachine of ergens anders ontbranden en brand veroorzaken. Leeg de stofzuigerzak regelmatig (10-15 minuten) om het risico op brand te verlagen en laat een stofzuiger nooit achter zonder eerst de stofzuigerzak volledig te legen. Volg ook de aanbevelingen van de producent van de coatings.

VERDERE VEILIGHEIDS- EN WERKINSTRUCTIES

Draag persoonlijke beschermende uitrusting. Draag altijd een veiligheidsbril. Het dragen van persoonlijke beschermende uitrusting zoals een stofmasker, slipvaste werkschoenen, een veiligheidshelm of gehoorbescherming, afhankelijk van de aard en het gebruik van het elektrische gereedschap, vermindert het risico van verwondingen.

Het gedurende het werken vrijkomende stof is doorgaans schadelijk voor de gezondheid en mag niet met het lichaam in aanraking komen. Draag derhalve een geschikt stofbeschermsmasker. Het is niet toegestaan, materialen te bewerken waarvan een gezondheidsgevaar uitgaat (bijv. asbest).

Schakel het apparaat onmiddellijk uit als het gereedschap blokkeert! Schakel het apparaat uit in zolang het gereedschap

geblokkeerd is; dit zou een terugslag met een hoog reactiemoment kunnen veroorzaken. Achterhaal en verhelp de oorzaak voor de blokkering van het gereedschap met inachtneming van de veiligheidsinstructies.

Mogelijke oorzaken voor de blokkering:

- kantelen in het te bewerken werkstuk
- Doorbreken van het te bewerken materiaal
- overbelasting van het elektrische gereedschap

Grijp niet in de lopende machine.

Het inzetgereedschap heeft scherpe randen en kan tijdens het gebruik heet worden.

WAARSCHUWING! Gevaar voor snij- en brandwonden

- tijdens het gebruik van het inzetgereedschap
- bij het neerleggen van het apparaat

Draag veiligheidshandschoenen bij het hanteren met de inzetgereedschappen.

Spanen of splinters mogen bij draaiende machine niet worden verwijderd.

Bij het werken in wanden, plafonds of vloeren oppassen voor elektriciteitsdraden, gas- of waterleidingen.

Borg uw werkstuk met behulp van een spaninrichting Niet geborgde werkstukken kunnen ernstig letsel en grote schade veroorzaken.

Verwijder de accu voordat u de instellingen van het apparaat aanpast, het apparaat schoonmaakt of onderhoud pleegt.

WAARSCHUWING! Voorkom brand, persoonlijk letsel of materiële schade door kortsluiting en dompel het gereedschap, de wisselakku en het laadtoestel niet onder in vloeistoffen en waarborg dat geen vloeistoffen in de apparaten en accu's kunnen dringen. Corrosieve

of geleidende vloeistoffen zoals zout water, bepaalde chemicaliën, bleekmiddelen of producten die bleekmiddelen bevatten, kunnen een kortsluiting veroorzaken.

Wisselakku's en laadapparaten niet openen en alleen in droge ruimtes opslaan. Tegen vocht beschermen.

Wisselakku's van het Akku-Systeem M12 alléén met laadapparaten van het Akku-Systeem M12 laden. Geen akku's van andere systemen laden.

VOORGESCHREVEN GEBRUIK VAN HET SYSTEEM

De bandschuurmachine kan worden gebruikt op hout, plastic, metaal, vulmiddel en gevefde oppervlakken te schuren.

Deze vlakschuurmachines zijn alleen voor droog schuren geschikt.

Gebruik het product op geen andere wijze dan is aangegeven voor het beoogde gebruik.

RESTERENDE GEVAREN

Ook als de machine volgens de voorschriften gebruikt wordt, kunnen niet alle risico's worden uitgesloten. Let bij het gebruik op de volgende gevaren:

- Door vibraties veroorzaakt letsel. Houd de machine vast aan de daarvoor bedoelde grepen en beperk de tijd die u met de machine werkt en waarin u aan de vibraties wordt blootgesteld.
- Lawaai kan leiden tot gehoorschade. Draag een gehoorbescherming en beperk de tijd waarin u aan het lawaai wordt blootgesteld.
- Door vuildeeltjes veroorzaakt oogletsel. Draag altijd een veiligheidsbril, nauwsluitende, lange broeken, handschoenen en vast schoeisel.
- Inademen van toxische stoffen.

OPMERKINGEN OVER LI-ION-ACCU'S

Gebruik van li-ion-accu's

Langere tijd niet toegepaste wisselakku's vóór gebruik altijd naladen.

Een temperatuur boven de 50°C vermindert de capaciteit van de accu. Langdurige verwarming door zon of hitte vermijden.

De aansluitcontacten aan het laadapparaat en de accu schoonhouden.

Voor een optimale levensduur moeten de accu's na het gebruik volledig opgeladen worden.

Voor een zo lang mogelijke levensduur van de accu's dienen deze na het opladen uit het laadtoestel te worden verwijderd.

Bij een langere opslag van de accu dan 30 dagen:

Bewaar het accupack op een droge plek waar de temperatuur onder 27°C is
accu bij ca. 30 % - 50 % van de laadtoestand bewaren.
accu om de 6 maanden opnieuw opladen.

Overbelastingsbeveiliging voor li-ion-accu's

Bij overbelasting van de accu door zeer hoog stroomverbruik, bijv. extreem hoge draaimomenten, plotseling stoppen of kortsluiting, vibreert het elektrische gereedschap gedurende 5 seconden, de laadweergave knippert en het elektrische gereedschap schakelt automatisch uit.

Om het gereedschap weer in te schakelen, moet u de drukschakelaar loslaten en vervolgens weer inschakelen. Onder extreme belastingen wordt de accu te heet. In dit geval knipperen alle lampen van de laadweergave totdat de accu afgekoeld is. Na het doven van de laadweergave kunt u weer verder werken.

Transport van lithium-ionen-accu's

Lithium-ionen-accu's vallen onder de wettelijke bepalingen inzake het transport van gevaarlijke goederen.

Voor het transport van deze accu's moeten de lokale, nationale en internationale voorschriften en bepalingen in acht worden genomen.

Verbruikers mogen deze accu's zonder meer over de weg transporteren.

Het commerciële transport van lithium-ionen-accu's door expeditiebedrijven is onderhevig aan de bepalingen inzake het

transport van gevaarlijke goederen. De verzendingsvoorbereidingen en het transport mogen uitsluitend worden uitgevoerd door dienovereenkomstig opgeleide personen. Het complete proces moet vakkundig worden begeleid.

Onderstaande punten moeten bij het transport van accu's in acht worden genomen:

Waarborg ter vermindering van kortsluitingen dat de contacten beschermd en geïsoleerd zijn.

Let op dat het accupack in de verpakking niet kan verschuiven. Beschadigde of lekkende accu's mogen niet worden gerepariseerd. Neem voor meer informatie contact op met uw expeditiebedrijf.

ARBEIDSLINSTRUCTIES

De materiaalafname tijdens het schuren en de afwerking van het oppervlak worden hoofdzakelijk bepaald door de keuze van de schuurband en de voorgeslechteerde bandsnelheid. Hoe hoger de bandsnelheid, hoe hoger de materiaalafname en hoe fijner het geschuurde oppervlak.

Alleen onberispelijke schuurbanden leveren goede schuurprestaties op en beschermen het elektrische gereedschap. Werk indien mogelijk met een lage contactdruk om de levensduur van de schuurbanden te verhogen. Het eigen gewicht van het elektrische gereedschap is voldoende voor goede schuurprestaties. Te hoge contactdruk levert geen betere schuurprestaties op, maar meer slijtage van het elektrische gereedschap en de schuurband.

Plaats het elektrisch gereedschap op het te bewerken oppervlak. Werk met een gemiddelde snelheid en schuur in parallelle en overlappende stroken. Schuur in de richting van de houtnerf. Overdwars schuren levert storende schuureffecten op.

Vooral bij het afschuren van verfresten kunnen deze resten smelten en op het materiaaloppervlak en de schuurband worden gesmeerd. Werk daarom met stofafzuiging.

Een schuurband waarmee al metaal is verwerkt, moet niet voor andere materialen worden gebruikt.

Bewaar schuurbanden alleen in hangende positie en buig ze niet, anders worden ze onbruikbaar.

Voorgeslechteerde bandsnelheid

De vereiste bandsnelheid is afhankelijk van het materiaal en de werkomstandigheden, en kan worden bepaald door praktische testen uit te voeren.

ONDERHOUD

Altijd de luchtspleten van de machine schoonhouden.

ONDERHOUD

Gebruik uitsluitend Milwaukee toebehoren en onderdelen. Indien componenten die moeten worden vervangen niet zijn beschreven, neem dan contact op met een officieel Milwaukee servicecentrum (zie onze lijst met servicecentra).

Onder vermelding van het nummer op het machineplaatje is desgewenst een doorsnedetekening van de machine verkrijgbaar bij: Technronic Industries GmbH, Max-Eyth-Straße 10, 71364 Winnenden, Germany.

SYMBOLLEN

	Graag instructies zorgvuldig doorlezen vóórdat u de machine in gebruik neemt.
	OPGELET! WAARSCHUWING! GEVAAR!
	Voor alle werkzaamheden aan de apparat de akku verwijderen.
	Bij het werken met de machine altijd een veiligheidsbril dragen.
	Draag derhalve een geschikt stofbeschermsmasker.
	Draairichting
	Toebehoren - Wordt niet meegeleverd. Is apart leverbaar. Zie hiervoor het toebehorenprogramma.
	Elektrische apparaten, batterijen en accu's mogen niet via het huisafval worden afgevoerd. Elektrische apparaten en accu's moeten gescheiden worden verzameld en voor een milieuvriendelijke afvoer worden afgegeven bij een recyclingbedrijf. Informeer bij uw gemeente of bij uw vakhandelaar naar recyclingbedrijven en inzamelpunten.
n_0	Bandsnelheid, onbelast
V	Spanning
	Gelijkstroom
	Europees symbool van overeenstemming
	Brits symbool van overeenstemming
	Oekraïens symbool van overeenstemming
	Euro-Aziatisch symbool van overeenstemming

TEKNISKE DATA	M12 FBFL10	M12 FBFL13
Type	Båndfile	Båndfile
Produktionsnummer	4919 22 01 XXXXXX MJJJJ	4919 32 01 XXXXXX MJJJJ
Udskiftningsbatteriets spænding	12 V =	12 V =
Båbdhastighed,høj hastighed	0 - 18,5 m/s	0 - 18,4 m/s
Båbdhastighed,lav hastighed	0 - 9,2 m/s	0 - 9,3 m/s
Bredt bånd	10 mm / 3/8"	13 mm / 1/2"
Båndlængde	330 mm / 13"	457 mm / 18"
Vægt svarer til EPTA-procedure 01/2014 (Li-Ion 2,0 Ah ... 6,0 Ah)	1,0 ... 1,2 kg	1,1 ... 1,3 kg
Anbefalet omgivelsestemperatur til driften	-18 ... +50 °C	-18 ... +50 °C
Anbefalede batteripakker	M12B...	M12B...
Anbefalede opladere	C12C; M12-18...; M12C4; M12TC	C12C; M12-18...; M12C4; M12TC
Støjinformation Måleværdier beregnes iht. EN 62841. Værktøjets A-vurderede støjniveau er typisk:		
Lydtrykniveau / Usikkerhed K	70 dB (A) / 3 dB (A)	68 dB (A) / 3 dB (A)
Lydeffekt niveau / Usikkerhed K	81 dB (A) / 3 dB (A)	79 dB (A) / 3 dB (A)
Brug høreværn!		
Vibrationsinformation Samlede vibrationsværdier (værdisum for tre retninger) beregnet iht. EN 62841.		
Vibrationseksponering a_h / Usikkerhed K	2,16 m/s ² / 1,5 m/s ²	1,69 m/s ² / 1,5 m/s ²

ADVARSEL!

Det vibrations- og støjmissionsniveau, der nævnes i dette oplysningsskema, er blevet målt i overensstemmelse med en standardiseret test fra EN 62841, og det kan bruges til at sammenligne ét værktøj med et andet. Det kan bruges til en foreløbig bedømmelse af eksponeringen. Det erklærede vibrations- og støjmissionsniveau repræsenterer værktøjets primære anvendelsesformål. Det er dog sådan, at hvis værktøjet bruges til andre formål, med forskelligt tilbehør eller dårlig vedligehold, så kan vibrations- og støjmissionen variere. Det kan evt. øge eksponeringsniveauet markant i løbet af det samlede arbejdstidsrum. En vurdering af eksponeringsniveauet ift. vibration og støj bør også tage hensyn til de tidspunkter, hvor værktøjet er slukket eller hvor det kører, men rent faktisk ikke udfører jobbet. Det kan evt. mindske eksponeringsniveauet markant i løbet af det samlede arbejdstidsrum. Identificér yderligere sikkerhedsforanstaltninger med henblik på at beskytte brugeren mod effekten af vibration og/eller støj, som fx: vedligehold værktøjet og tilbehøret, hold hænderne varme, organisering af arbejdsmønstre.

ADVARSEL! Læs alle sikkerhedsanvisninger, anvisninger, instruktioner og data, der følger med enheden. Overholder du ikke følgende instruktioner, kan du få elektrisk stød, der kan opstå brand og/eller du kan blive kvæstet alvorligt.

Opbevar alle advarselshenvisninger og instrukser til senere brug.

SIKKERHEDSANVISNINGER FOR SLIBEMASKINER

Indsamlet slibestøv fra coatede slibeflader som fx polyuretan, linolie etc. kan selvantænde i støvsugerposen eller andre steder og forårsage brand. For at mindske risikoen for brand, så tøm altid støvsugerposen hyppigt (efter 10-15 minutter) under slibning, og opbevar eller efterlad aldrig en støvsuger uden at tømme dens støvsugerpose fuldstændigt. Følg også anbefalingerne fra producenterne af belægninger.

YDERLIGERE SIKKERHEDS- OG ARBEJDSINFORMATIONER

Brug beskyttelsesudstyr og hav altid beskyttelsesbriller på. Brug af sikkerhedsudstyr som f.eks. støvmaske, skridsikket fodtøj, beskyttelseshjelm eller høreværn afhængig af maskintype og anvendelse nedsætter risikoen for personskader. Støv, som opstår under arbejdet, er ofte sundhedsfarligt og bør ikke trænge ind i kroppen. Benyt egnet åndedrætsværn. Der må ikke bearbejdes nogen materialer, der kan udgøre en sundhedsrisiko (f.eks. asbest).

Sluk straks for maskinen, hvis indsatsværktøjet er blokeret! Tænd ikke for maskinen igen, så længe indsatsværktøjet er blokeret; dette kan føre til et tilbageslag med højt reaktionsmoment. Find frem til og afhjælp årsagen til indsatsværktøjets blokering under hensyntagen til sikkerhedsinstruktionerne.

Mulige årsager hertil kan være:

- at det sidder i klemme i emnet der bearbejdes
- Gennembrud af det materiale, som skal bearbejdes
- at el-værktøjet er overbelastet

Grib ikke ind i maskinen, når den kører. Indføringsværktøjet har skarpe kanter og kan blive varmt under brug. ADVARSEL! Risiko for snitsår og forbrændinger - ved håndtering af indføringsværktøj - når man lægger maskinen fra sig. Brug beskyttelseshandsker ved håndtering af indføringsværktøj. Spåner eller splinter må ikke fjernes, medens maskinen kører. Ved arbejdboring i væg, loft eller gulv skal man passe på elektriske kabler, gas- og vandledninger. Sørg for at sikre dit emne med en spændeanordning. Ikke sikrede emner kan forårsage alvorlige kvæstelser og beskadigelser. Fjern batteripakken inden du starter enhver form for justering, rengøring og vedligeholdelse af apparatet. **ADVARSEL!** For at undgå risiko for brand, kvæstelser eller beskadigelse af produktet forårsaget af kortslutning må værktøjet, batteripakken eller opladeren ikke nedsænkes i vand. Sørg ligeledes for, at der ikke trænger væske ind i enhederne og batterierne. Korroderende eller ledende væsker, f.eks. saltvand, bestemte kemikalier, blegestoffer eller produkter, som indeholder blegestoffer, kan forårsage kortslutning. Udskiftningsbatterier og opladere må ikke åbnes og skal opbevares i tørre rum. Beskyt dem mod fugtighed. Brug kun M12 ladeapparater for opladning af System M12 batterier.

TILT/ENKT FORMÅL

Båndsliberen kan benyttes til slibning af træ, plastic, metal, spartelmasse og malede overflader. Denne maskine er kun egnet til tørlibning! Brug ikke produktet til andre formål, end de her beskrevne.

RESTRISICI

Selv ved korrekt brug kan alle restrisici ikke udelukkes. Brugen kan medføre følgende farer, som operatøren bør være særlig opmærksom på:

- Kvæstelser, som forårsages af vibration. Hold maskinen fast i de dertil beregnede greb og begræns arbejds- og ekspositionstiden.
- Støjbelastning kan medføre høreskader. Brug høreværn og begræns ekspositionstiden.
- Øjenskader på grund af snavspartikler. Brug altid beskyttelsesbriller, faste lange bukser, handsker og fast fodtøj.
- Indånding af giftigt støv.

BEMÆRKNINGER VEDRØRENDE LI-ION-BATTERIER

Brug af Li-ion-batterier

Udskiftningsbatterier, der ikke har været brugt i længere tid, efterlades inden brug.

Ved temperaturer over 50°C formindskes batteriets effekt. Undgå direkte sollys og stærk varme. Tilslutningskontakterne på oplader og udskiftningsbatterier skal holdes rene.

For at opnå en optimal levetid skal de genopladelige batterier oplades fuldt efter brug.

For at sikre en så lang levetid som muligt skal batterierne tages ud af ladeaggregatet efter opladning.

Skal batterierne opbevares længere end 30 dage:

Opbevar batteripakken på et sted, hvor temperaturen er under 27°C, og ikke i nærheden af fugt

Opbevares ved ca. 30%-50% af ladetilstanden.

Batteri skal genoplades hver 6. måned.

Overbelastningsbeskyttelse vedrørende Li-Ion-batterier

Overbelastes batteriet på grund af meget højt strømforbrug, f.eks. som følge af ekstremt høje drejningsmomenter, pludseligt stop eller kortslutning, vibrerer el-værktøjet i 5 sekunder, ladeindikatoren blinker, og el-værktøjet slukker af sig selv.

For at tænde igen slippes trykknappen, hvorefter du tænder el-værktøjet igen. Ved ekstreme belastninger bliver batteriet for varmt. I så fald blinker alle lamper på ladeindikatoren, indtil batteriet er kølet af. Når ladeindikatoren går ud, kan arbejdet genoptages.

Transport af lithium-batterier

Lithium-batterier er omfattet af lovgivningen om transport af farligt gods.

Transporten af disse batterier skal ske under overholdelse af lokale, nationale og internationale regler og bestemmelser.

Forbrugere må transportere disse batterier på veje uden yderligere krav.

Den kommercielle transport af lithium-batterier ved speditjonsfirmaer er omfattet af reglerne for transport af farligt gods. Forberedelsen af forsendelse og transport må kun udføres af tilsvarende trænedde personer. Den samlede proces skal følges af fagfolk.

Følgende punkter skal overholdes ved transport af batterier:

Sørg for at kontakterne er beskyttet og isoleret for at forhindre kortslutninger.

Sørg for at batteripakken ikke kan bevæge sig inden for emballagen. Beskadede eller lækende batterier må ikke transporteres. Kontakt dit speditjonsfirma for at få yderligere oplysninger.

ARBEJDSANVISNINGER

Fjernelsesraten for materiale under slibning og overfladens finish afgøres i høj grad af valget af slibebånd og den forudvalgte båndhastighed. Jo højere båndhastighed, jo højere er fjernelsesraten for materiale og jo finere er slibefluden.

Det er kun perfekte slibebånd, der skaber en god slibedydelse og beskytter el-værktøjet. Hvis det er muligt, så arbejd med et lavt kontaktryk for at øge slibebåndenes levetid. El-værktøjets dødvægt er tilstrækkelig til at sørge for en god slibedydelse. Overdreven forøgelse af kontaktrykket medfører ikke en højere slibedydelse, men i stedet mere slitage af el-værktøjet og slibebåndet.

Placer det tændte el-værktøj på den overflade, der skal behandles. Arbejd med en moderat tilførselshastighed og udfør slibebejdet parallelt og overlappende ift. slibestierne. Slib i årenes retning, slibespor på tværs medfører forstyrrende slibeeffekter.

Især i forbindelse med afslibning af rester af maling kan de smelte og sprede sig på materialets overflade og slibebåndet. Arbejd derfor med støvudsugning.

Et slibebånd, som du allerede har brugt med metal, bør ikke benyttes til andre materialer.

Opbevar kun slibebånd hængende og bøj dem ikke, ellers vil de blive ubrugelige.

Forudgående valg af båndhastighed

Den påkrævede båndhastighed afhænger af materialet og arbejdsbetingelserne, og den kan bestemmes gennem praktiske tests.

RENGØRING

Hold altid maskinens ventilationsåbninger rene.

VEDLIGEHOLDELSE

Brug kun Milwaukee-tilbehør og Milwaukee-reservedele. Komponenter, hvor udskiftningsproceduren ikke er beskrevet, skal skiftes ud hos et Milwaukee-servicestæde (se brochure garanti/kundeserviceadresser).

Ved opgivelse af type nr. der er angivet på maskinens effektskilt, kan de rekvirere en reservedeltægnning, ved henvendelse til: Techtronic Industries GmbH, Max-Eyth-Straße 10, 71364 Winnenden, Germany.

SYMBOLER



Læs brugsanvisningen nøje før ibrugtagning.



VIGTIGT! ADVARSEL! FARE!



Ved arbejde inden i maskinen, bør batteriet tages ud.



Når der arbejdes med maskinen, skal man have beskyttelsesbriller på.



Benyt egnet åndedrætsværn.



Omdrejningsretning



Tilbehør - Ikke inkluderet i leveringsomfanget, køb købes som tilbehør.



Elektrisk udstyr eller (genopladelige) batterier må ikke bortskaffes sammen med det almindelige husholdningsaffald. Elektrisk udstyr og genopladelige batterier skal indsamles særskilt og afleveres hos en genbrugsvirksomhed til en miljømæssig forsvarlig bortskaffelse. Spørg de lokale myndigheder eller din forhandler om genbrugsstationer og indsamlingssteder til sådant affald.

n_0

Båndhastighed, tomgang

V

Spænding



Jævnstrøm



Europæisk konformitetsmærke



Britisk konformitetsmærke



Ukrainsk konformitetsmærke



Eurasisk konformitetsmærke

TEKNISKE DATA	M12 FBFL10	M12 FBFL13
Type	Båndfil	Båndfil
Produksjonsnummer	4919 22 01 XXXXXX MJJJJ	4919 32 01 XXXXXX MJJJJ
Spenningsvekselbatteri	12 V =	12 V =
Båndhastighet, høy hastighet	0 - 18,5 m/s	0 - 18,4 m/s
Båndhastighet, lav hastighet	0 - 9,2 m/s	0 - 9,3 m/s
Brede bånd	10 mm / 3/8"	13 mm / 1/2"
Båndlengde	330 mm / 13"	457 mm / 18"
Vekt i henhold til EPTA-Prosedyren 01/2014 (Li-Ion 2,0 Ah ... 6,0 Ah)	1,0 ... 1,2 kg	1,1 ... 1,3 kg
Anbefalt omgivelsestemperatur for drift	-18 ... +50 °C	-18 ... +50 °C
Anbefalte batteripakker	M12B...	M12B...
Anbefalte ladere	C12C; M12-18...; M12C4; M12TC	C12C; M12-18...; M12C4; M12TC
Støyinformasjon Måleverdier fastslått i samsvar med EN 62841. Det typiske A-bedømte støynivået for maskinen er:		
Lydtryknivå / Usikkerhet K	70 dB (A) / 3 dB (A)	68 dB (A) / 3 dB (A)
Lydeffektnivå / Usikkerhet K	81 dB (A) / 3 dB (A)	79 dB (A) / 3 dB (A)
Bruk hørselsvern!		
Vibrasjonsinformasjoner Totale svingningsverdier (vektorsum fra tre retninger) beregnet jf. EN 62841.		
Svingningsemisjonsverdi a _h / Usikkerhet K	2,16 m/s ² / 1,5 m/s ²	1,69 m/s ² / 1,5 m/s ²

⚠ ADVARSEL!

De angitte vibrasjonseksposering- og støynivåverdiene har blitt målt i samsvar med standardiserte målemetoder jmfør EN 62841 og kan brukes til å sammenligne et verktøy med et annet. De kan brukes til en foreløpig eksponeringsvurdering.

De angitte vibrasjonseksposering- og støyemisjonsverdiene gjelder for vanlig bruk av verktøyet. Dersom verktøyet blir brukt til noe annet, sammen med annet utstyr eller er dårlig vedlikeholdt kan de angitte vibrasjonseksposering- og støyeverdiene variere. Dette kan øke eksponerings- og emisjonsverdiene betraktelig for hele perioden du bruker verktøyet.

Når en vurderer vibrasjonseksposeringsnivået og støyeverdi må en inkludere den perioden som verktøyet er slått av eller når verktøyet går, men ikke direkte brukes til noe. Dette kan redusere eksponeringsnivået betraktelig over hele perioden som verktøyet er i bruk.

Det er viktig å etablere ytterligere sikkerhetstiltak for å beskytte brukeren mot påvirkning av vibrasjon og/eller støy, slik som: vedlikehold av verktøyet og tilleggsutstyr, hold hendene varme, organiserte arbeidsrutiner.

⚠ ADVARSEL! Les alle sikkerhetsanvisninger, instruksjer, bildeforklaringer og data som fulgte med maskinen. Hvis du ikke følger følgende anvisninger, kan det oppstå elektriske støt, ild og/eller store skader.

Ta godt vare på alle advarslene og informasjonene.

SIKKERHETSINSTRUKSJONER FOR SLIPEMASKINER

Oppsamlet slipestøv fra en overflate som er behandlet med f.eks. polyuretaner, linfrøolje osv. kan være selvantennelig inni støvsugerposen eller andre steder og kan føre til brann. For å redusere brannfaren bør du tømme støvsugerposen regelmessig (hvert 10 til 15 minutt) når du sliper. Du må aldri oppbevare eller forlate en støvsuger uten å tømme posen fullstendig for støv først. Du bør også følge anbefalingene fra produsenten av overflatebehandlingen.

YTTERLIGE SIKKERHETS- OG ARBEIDSSINSTRUKSJONER

Bruk personlig verneutstyr og husk alltid å bruke vernebriller. Bruk av personlig sikkerhetsutstyr som støvmasker, sklifaste arbeidssko, hjelm eller hørselsvern – avhengig av type og bruk av elektroverktøyet – reduserer risikoen for skader.

Støvet som oppstår ved arbeidet er ofte helsefarlig og skal ikke komme i kontakt med kroppen. Bruk derfor verneemaske som er egnet for støv. Materialer som er helsefarlig skal ikke bearbeides (f.eks. asbest)

Slå av apparatet med en gang dersom det isatte verktøyet er blokkert! Ikke slå apparatet på igjen så lenge det isatte verktøyet er blokkert; her kan det oppstå et tilbakeslag med høyt reaksjonsmoment. Finn ut hvorfor det isatte verktøyet blokkerer og fjern årsaken til dette. Ta herved hensyn til sikkerhetsinstruksene.

Galimos priezastys:

- det har forkantet seg i arbeidsemnet som bearbeides
- Gjennomtrykning av materialet som bearbeides
- elektroverktøyet er overbelastet

Ikke grip inn i maskinen når den står på og går.

Tilbehøret har skarpe kanter og kan bli varmt under bruken.

ADVARSEL! Fare for kutt og forbrenninger

- ved håndtering av tilbehøret

- når apparatet legges ned

Bruk vernehansker ved håndteringen av tilbehøret.

Spon eller fliser må ikke fjernes mens maskinen er i gang.

Pass på kabler, gass- og vannledninger når du arbeider i vegger, tak eller gulv.

Klem fast arbeidsemnet med en spenninnetning. Ikke sikrede arbeidsemner kan ha alvorlige helseskader og skader av material til følge.

Ta ut batteriet før du endrer, rengjør eller vedlikeholder enheten.

ADVARSEL! For å unngå fare for en brann forårsaket av en kortslutning, av personskafer eller skader av produktet, må det forhindres at batteripakken eller laderen dyppes i væsker og også sørges for at ingen væsker kan komme inn i apparatene eller batteriene. Korroderende og ledende væsker som saltvann, visse kjemikalier og blekemidler eller produkt som inneholder blekemidler kan forårsake en kortslutning.

Ikke åpne vekslebatterier og ladere, de skal oppbevares i tørre rom. Beskyttes mot fuktighet.

Vekslebatterier av systemet M12 skal kun lades med lader av systemet M12. Ikke lad opp batterier fra andre systemer.

FORMÅLMESSIG BRUK

Båndsliperen skal brukes til å slippe overflater av treverk, plastikk, metall, fugemasser og malte overflater.

Denne maskinen er kun egnet for tørrsliping!

Ikke bruk produktet på annen måte enn det som er angitt for beregnet bruk.

RESTFARER

Også ved sakyndig bruk kan ikke alle restrisikoer utelukkes. Ved bruk kan følgende farer oppstå og som bruker spesielt skulle ta hensyn til:

- Skader forårsaket av vibrasjon. Hold alltid apparatet i håndtakene som er konstruert for dette og begrenns arbeids- og eksponeringstiden.
- Støy kan føre til hørselsskader. Bruk hørselsvern og begrenns eksponeringens varighet.
- Øyeskader forårsaket av smusspartikler. Bruk alltid vernebriller, solide langbukser, hansker og stødige sko..
- Innånding av giftig støv

INFORMASJON SOM GJELDER LI-ION BATTERIPAKKER

Bruk av Li-Ion batteripakker

Vekslebatterier som ikke er brukt over lengre tid skal etterlades før bruk.

En temperatur over 50°C reduserer vekslebatteriets kapasitet. Unngå oppvarming i sol eller ved varmeovner (fyring) i lengre tid. Hold tilkopplingskontaktene på lader og vekslebatteri rene.

For optimal holdbarhet må batteriene lades opp helt etter bruk. For å sikre en lengst mulig brukstid av batteriene skal disse etter oppladning taes ut av laderen.

Ved lagring av batteriene lengre enn 30 dager: Batteriet skal lagres på temperaturer under 27 °C og unna fuktighet. Lagre batteriet ved en oppladningsstilstand på ca. 30%-50%. Lade opp batteriet igjen etter 6 måneder.

Overlastvern i Li-Ion batteripakker

Ved overbelastning av det oppladbare batteriet p.g.a. svært høyt strømförbruk; f.eks. ekstrem høye dreiemoment, plutselig stopp eller kortslutning, vibrert elektroverktøyet 5 sekunder, displayet for opplading blinker og elektroverktøyet utkobler seg automatisk.

For gjeninnkobling, slipp løs bryteren og slå så på igjen. Ved ekstreme belastninger opphører det oppladbare batteriet seg for sterkt. I slike tilfeller blinker alle lampene på displayet til batteriet er avkjølt. Når lampene har sluttet å blinke, kan man fortsette å arbeide.

Transport av Litium-Ion-Batteri

Litium-ion-batterier faller under de lovfestede forskriftene om transport av farlig gods.

Transporten av disse batteriene må rette seg etter lokale, nasjonale og internasjonale forskrifter og bestemmelser.

Forbruker har lov å transportere disse batteriene på gaten uten reglementering.

Den kommersielle transport av Litium-ion-batterier av spedisjonsfirma faller under bestemmelsene om transport av farlig gods. Forberedningene av forsendelsen og transport skal utelukkende gjennomføres av personer som har blitt skolert til dette. Hele prosessen skal følges opp av fagfolk.

Følgende punkter skal tas hensyn til ved transport:

Kontroller at kontaktene er beskyttet og isolert for å unngå kortslutninger.

Pass på at batteripakken i forpakningen ikke kan skli fram og tilbake. Skadede eller batterier som lekker er det ikke lov å transportere. Ta kontakt med spedisjonsfirma for ytterligere henvisninger.

ARBEIDSSINSTRUKSJONER

Hvor raskt sliperen arbeider og resultatet av slipingen bestemmes av slipebåndet og slipehastigheten du velger. Jo høyere tempo, desto raskere slipes overflaten ned og blir finere av det.

Kun slipebånd i god tilstand gir et godt resultat og tar vare på elektroverktøyet. Dersom det er mulig, legg så lite press på slipemaskinen som mulig for å øke slipebåndets levetid. Vekten av elektroverktøyet alene er nok for et godt sliperesultat. Det å legge mye press på slipemaskinen vil ikke gi bedre sliperesultat, men vil øke slitasjen på slipemaskinen og slipebåndet.

Slå på slipemaskinen og plasser den på overflaten som skal slipes.

Bruk moderat hastighet og slip i parallelle lengder over overflaten. Når du sliper neste lengde, bør denne overlape den forrige. Slip i samme retning som årene på treet. Sliper du mot årene, vil dette ødelegge effekten av slipingen.

Spesielt når du sliper av gammel maling, kan malingen smelte og smøres utover overflaten og klistre seg på slipebåndet. Du bør derfor bruke støvsamler.

Dersom du allerede har brukt slipebåndet på metall, bør du ikke bruke det på andre materialer etterpå.

Slipebåndene skal kun oppbevares opphengt og må ikke bøyes, ellers vil båndene ikke lengre kunne brukes.

Velg hastighet på forhånd

Beltet hastigheten avhenger av materialet og arbeidsforholdene. Du kan bestemme riktig hastighet med en praktisk test.

RENGJØRING

Hold alltid luftenåpningene på maskinen rene.

VEDLIKEHOLD

Bruk kun Milwaukee tilbehør og Milwaukee reservedeler. Komponenter der utskifting ikke er beskrevet skal skiftes ut hos Milwaukee kundeservice (se brosjyre garanti/kundeserviceadresser).

Ved behov kan du be om en eksplosjonstegning av apparatet hos din kundeservice eller direkte hos Techtronic Industries GmbH, Max-Eyth-Straße 10, 71364 Winnenden, Germany. Oppgi maskintype og det nummeret på typeskiltet.

SYMBOLER

	Les nøye gjennom bruksanvisningen før maskinen tas i bruk.
	OBS! ADVARSEL! FARE!
	Ta ut vekselbatteriet før du arbeider på maskinen
	Bruk alltid vernebrille når du arbeider med maskinen.
	Bruk derfor verneemaske som er egnet for støv.
	Rotasjonsretningen
	Tilbehør - inngår ikke i leveransen, anbefalt komplette-ring fra tilbehørsprogrammet.
	Elektriske apparater, batterier/oppladbare batterier skal ikke kastes sammen med vanlig husholdningsavfall. Elektriske og elektroniske apparater og oppladbare batterier skal samles separat og leveres til miljøvennlig deponering hos en avfallsbedrift. Informer deg hos myndighetene på stedet eller hos din fagforhandler hvor det finnes recycling bedrifter og oppsamlingssteder.
n_0	Båndhastighet, Tomgang
V	Spenning
	Likestrøm
	Europeisk samsvarsmerke
	Britisk samsvarsmerke
	Ukrainsk samsvarsmerke
	Euroasiatisk samsvarsmerke

TEKNISKA DATA	M12 FBFL10	M12 FBFL13
Typ	Båndfil	Båndfil
Produktionsnummer	4919 22 01 XXXXXX MJJJJ	4919 32 01 XXXXXX MJJJJ
Batterispänning	12 V =	12 V =
Bandhastighet: høy hastighet	0 - 18,5 m/s	0 - 18,4 m/s
Bandhastighet: lav hastighet	0 - 9,2 m/s	0 - 9,3 m/s
Brede bånd	10 mm / 3/8"	13 mm / 1/2"
Bandlängd	330 mm / 13"	457 mm / 18"
Vikt enligt EPTA 01/2014 (Li-Ion 2,0 Ah ... 6,0 Ah)	1,0 ... 1,2 kg	1,1 ... 1,3 kg
Rekommenderad omgivningstemperatur för driften	-18 ... +50 °C	-18 ... +50 °C
Rekommenderade batterier (Akkupacks)	M12B...	M12B...
Rekommenderade laddare	C12C; M12-18...; M12C4; M12TC	C12C; M12-18...; M12C4; M12TC
Bullerinformation Mätvärdena har tagits fram baserande på EN 62841.		
A-värdet av maskinens ljudnivå utgör:		
Ljudtrycksnivå / Onoggrannhet K	70 dB (A) / 3 dB (A)	68 dB (A) / 3 dB (A)
Ljudeffektsnivå / Onoggrannhet K	81 dB (A) / 3 dB (A)	79 dB (A) / 3 dB (A)
Använd hörselskydd!		
Vibrationsinformation Totala vibrationsvärden (vektorsumma ur tre riktningar) framtaget enligt EN 62841.		
Vibrationsemissionsvärde a_n / Onoggrannhet K	2,16 m/s ² / 1,5 m/s ²	1,69 m/s ² / 1,5 m/s ²

⚠ VARNING!

De deklarerade vibrations- och bullernivåerna på detta informationsblad har uppmätts i enlighet med en standardiserad testmetod enligt EN 62841 och kan användas för att jämföra ett verktyg med ett annat. Det kan användas för en preliminär bedömning av exponeringen. Den angivna vibrations- och bullernivån representerar verktygets huvudsakliga tillämpningar. Om verktyget emellertid används för olika tillämpningar, med olika eller dåligt underhållna tillbehör, kan vibrations- och bullerutsläppet variera. Detta kan öka exponeringsnivån avsevärt över den totala arbetsperioden. En uppskattning av exponeringsnivån för vibrationer och buller bör även ta hänsyn till de tider då verktyget är avstängt eller när det körs utan att faktiskt arbeta. Detta kan avsevärt minska exponeringsnivån över den totala arbetsperioden. Identifiera ytterligare säkerhetsåtgärder för att skydda operatören mot effekterna av vibrationer och/eller buller såsom: underhåll av verktyget och tillbehören, hålla händerna varma, organisation av arbetsmönster.

⚠ VARNING! Läs alla säkerhetsanvisningar, instruktioner, beskrivningar och uppgifter som du får tillsammans med apparaten. Om nedanstående anvisningar ignoreras finns risk för att elstöt, brand och/eller allvarliga personskador uppstår.

Förvara alla varningar och anvisningar för framtida bruk.

SÄKERHETSINSTRUKTIONER FÖR SLIPMASKINER

Uppsamlad slipdamm från slipyntans beläggning (till exempel bestående av polyuretan, linolja osv.) kan självantändas i dammsugarpåsen eller någon annanstans och orsaka brand. Minska brandrisken genom att tömma dammsugarpåsen ofta (efter 10 till 15 minuter) under slipningen och förvara eller lämna aldrig dammsugaren utan att först tömma dammsugarpåsen helt. Följ även rekommendationerna från slipbeläggningens tillverkare.

ÖVRIGA SÄKERHETS- OCH ANVÄNDNINGSSINSTRUKTIONER

Bär alltid personlig skyddsutrustning och skyddsglasögon. Användning av personlig skyddsutrustning som t. ex. dammfiltermask, halkfri säkerhetskor, skyddshjäl och hörselskydd reducerar alltefter elverkytets typ och användning risken för kroppsskada. Det damm som bildas under arbetets gång är ofta hälsofarligt och det ska inte komma in i kroppen. Bär därför lämplig skyddsmask. Det är inte tillåtet att bearbeta material som kan vara hälsofarligt (t.ex. asbest). Stäng av maskinen omedelbart om ett verktyg som används sitter fast! Sätt sedan inte på maskinen igen så länge som verktyget som används fortfarande sitter fast; risk för okontrollerade slag med högt reaktionsmoment. Ta reda på orsaken varför verktyget fastnade och åtgärda orsaken med hänsyn till säkerhetsanvisningarna.

Selle vöimalikeks pöjhusteks vöivad olla.

- Verktyget sitter snett i arbetsstycket
- Materialet som ska bearbetas har gått sönder

- Elverktyget är överbelastat

Gå aldrig med händerna in i en maskin som är igång. Införingsverktyget har en vass egg och kan bli het under användning. VARNING! Risk för skärsår och brännskador - vid hantering av införingsverktygen - när man lägger ifrån sig maskinen Använd skyddshandskar när du hanterar införingsverktyg. Avlägsna aldrig spån eller flisor när maskinen är igång. Vid arbetenborring i vägg, tak eller golv, var alltid observant på befintliga el-, gas- eller vattenledning. Säkra arbetsstycket med en fastspänningsanordning. Arbetsstycken som inte är ordentligt fastspända kan leda till allvarlig kroppsskada eller annan skada. Ta bort batteripacket innan du börjar med att utföra inställningar, rengöring och underhåll på utrustningen. VARNING! För att undvika den fara för brand, personskador eller produktskador som orsakas av en kortslutning, doppa inte ner verktyget, utbytesbatteriet eller laddaren i vätskor och se till att ingen vätska kan tränga in i apparaterna eller batterierna. Korroderande eller ledande vätskor, som saltvatten, vissa kemikalier, blekningsmedel eller produkter som innehåller blekmedel, kan orsaka en kortslutning. Batterier lagras torrt och skyddas för fukt. System M12 batterier laddas endast i System M12 laddare. Ladda inte batterier från andra system.

ANVÄND MASKINEN ENLIGT ANVISNINGARNA

Bandslipmaskinen kan användas till att slipa trä, plast, metall, fyllmedel och målade ytor. Dessa planslipar är endast lämpliga för torrslipning.

Använd inte produkten på något annat sätt än vad som anges som avsedd användning.

KVARSTÄENDE RISKER

Även vid föreskriftsenlig användning kan inte alla restriktioner uteslutas. Vid användning kan följande faror, på vilka användaren måste vara särskilt uppmärksam:

- Personskador orsakade av vibration. Håll fast maskinen i de därför avsedda handtagen och begränsa arbets- och exponeringstiden.
- Bullerbelastning kan leda till hörselskador. Bär hörselskydd och begränsa exponeringstiden.
- Ögonskador orsakade av smutspartiklar. Använd alltid skyddsglasögon, stabila långbyxor, handskar och stabila skor..
- Inandning av giftigt damm.

ANVISNINGAR AVSEENDE LITIJONBATTERIER

Användning av litiumjonbatterier

Batteri som ej använts på länge måste laddas före nytt bruk.

En temperatur över 50°C reducerar batteriets effekt. Undvik längre uppvärmning i solen eller nära ett element.

Se till att anslutningskontaktarna i laddaren och på batteriet är rena.

För att batterierna ska få lång livslängd ska de laddas fulla efter användning.

För att få en så lång livslängd som möjligt bör laddningsbara batterier avlägsnas från laddaren när de är laddade.

Om laddningsbara batterier lagras längre än 30 dagar:

Förvara batteripaketet på platser som är skyddade mot fukt och där temperaturen är under 27 °C

Lagra batteriet vid ca 30%-50% av laddningskapaciteten.

Ladda batterierna på nytt var 6:e månad.

Batteri-överbelastningsskydd för litiumjonbatterier

Om det laddningsbara batteriet överbelastas genom en mycket hög strömförbrukning, t.ex. extremt höga vridmoment, ett plötsligt stopp eller en kortslutning, så vibrerar elverkytet i 5 sekunder, laddningsindikeringen blinkar och elverkytet fränkopplas automatiskt.

För att sedan sätta på elverkytet igen släpper du tryckbrytaren och tillkopplar sedan verktyget igen. Vid en extrem belastning blir det laddningsbara batteriet för varmt. I detta fall blinkar alla lampor på laddningsindikeringen så länge tills batteriet har svalnat. När laddningsindikeringen har slocknat kan du fortsätta med arbetet.

Transportera litiumjon-batterier

För litiumjon-batterier gäller de lagliga föreskrifterna för transport av farligt gods på väg.

Därför får dessa batterier endast transporteras enligt gällande lokala, nationella och internationella föreskrifter och bestämmelser.

Konsumenter får transportera dessa batterier på allmän väg utan att behöva beakta särskilda föreskrifter.

För kommersiell transport av litiumjon-batterier genom en speditorsfirma gäller emellertid bestämmelserna för transport av farligt gods på väg. Endast personal som känner till alla tillämpliga föreskrifter och bestämmelser får förbereda och genomföra transporten. Hela processen ska följas upp på fackmässigt sätt.

Följande ska beaktas i samband med transporten av batterier:

Säkerställ att alla kontakter är skyddade och isolerade för att undvika kortslutning.

Se till att batteripacken inte kan glida fram och tillbaka i förpackningen. Transportera aldrig batterier som läcker, har runnit ut eller är skadade. För mer information vänligen kontakta din speditorsfirma.

ARBETSANVISNINGAR

Avverkningsgraden under slipningen och yffinheten beror huvudsakligen på vilket slipband som används och på den inställda bandhastigheten. Ju högre bandhastigheten är, desto högre blir avverkningsgraden och den slipade ytans yffinhet.

Endast slipband som är i felfritt skick ger goda slipresultat samtidigt som elverkytet skyddas. Arbeta om möjligt med lågt kontaktryck, så att slipbanden håller längre. Elverkytets egenvikt räcker för en god slipprestanda. Om kontaktrycket ökas för mycket leder det inte till bättre slipprestanda, utan bara till högre slitage på elverkytet och slipbandet.

Aktivera elverkytet och placera det på ytan som ska slipas. Gå framåt med måttlig hastighet under arbetet och slipa i parallella och överlappande spår. Slipa i fiberriktningen, om man slipar mot fiberriktningen uppstår störande slipspår.

Särskilt när man slipar bort färgrester kan det hända att färgen smälter och smetas ut på materialets yta och på slipbandet. Arbeta därför med dammutsugning.

Ett slipband som redan har använts till att slipa metall bör inte användas till andra material.

Förvara alltid slipband hängande och böj dem aldrig, annars blir de oanvändbara.

Inställning av bandhastigheten

Vilken bandhastighet som behövs beror på materialet och arbetsförhållandena och kan avgöras genom praktiska tester.

TVÄTTRÅD

Se till att motorhöljets luftslitsar är rena.

SKÖTSEL

Använd endast Milwaukee-tillbehör och Milwaukee-reservdelar. Komponenter, för vilka inget byte beskrivs, skall bytas ut hos Milwaukee-kundtjänst (se broschyren garanti-/kundtjänstadresser).

Vid behov av sprängskiss, kan en sådan, genom att uppge maskinens art. nr. (som finns på typskylten) erhållas från: Techtronc Industries GmbH, Max-Eyth-Straße 10, 71364 Winnenden, Germany.

SYMBOLER



Läs instruktionen noga innan du startar maskinen.



OBSERVERA! VARNING! FARA!



Drag ur batteripaketet innan arbete utföres på maskinen.



Använd alltid skyddsglasögon.



Bär därför lämplig skyddsmask.



Rotationsriktning



Tillbehör - Ingår ej i leveransomfånget, erhålles som tillbehör.



Elektriska maskiner, batterier/uppladdningsbara batterier och får inte slängas tillsammans med de vanliga hushållssoporna. Elektriska maskiner och uppladdningsbara batterier ska samlas separat och lämnas till en avfallsstation för miljövänlig avfallshantering. Kontakta den lokala myndigheten respektive kommunen eller fråga återförsäljare var det finns speciella avfallsstationer för elskrot.

n_0

Bandhastighet, tomgång

V

Spänning

≡

Likström



Europeiskt konformitetsmärke



Britiskt konformitetsmärke



Ukrainskt konformitetsmärke



Euroasiatiskt konformitetsmärke

TEKNISET ARVOT	M12 FBFL10	M12 FBFL13
Tyyppi	Nauhaviilat	Nauhaviilat
Tuotantonomero	4919 22 01 XXXXXX MJJJJ	4919 32 01 XXXXXX MJJJJ
Jännite vaihtoakku	12 V =	12 V =
Nauhan nopeus, suuri nopeus	0 - 18,5 m/s	0 - 18,4 m/s
Nauhan nopeus, matala nopeus	0 - 9,2 m/s	0 - 9,3 m/s
Leveä nauha	10 mm / 3/8"	13 mm / 1/2"
Neuhan pituus	330 mm / 13"	457 mm / 18"
Paino EPTA-menetellyn 01/2014 mukaan (Li-Ion 2,0 Ah ... 6,0 Ah)	1,0 ... 1,2 kg	1,1 ... 1,3 kg
Suositteltu ympäristön lämpötila käytön aikana	-18 ... +50 °C	-18 ... +50 °C
Suosittelut akkusarjat	M12B...	M12B...
Suosittelut latauslaitteet	C12C; M12-18...; M12C4; M12TC	C12C; M12-18...; M12C4; M12TC
Melunpäästötiedot Mitta-arvot määritetty EN 62841 mukaan. Koneen tyyppillinen A-luokitettu melutaso:		
Melutaso / Epävarmuus K	70 dB (A) / 3 dB (A)	68 dB (A) / 3 dB (A)
Äänenvoimakkuus / Epävarmuus K	81 dB (A) / 3 dB (A)	79 dB (A) / 3 dB (A)
Käytä kuulosuojaimia!		
Tärinätiedot Värähtelyn yhteisarvot (kolmen suunnan vektorisummitattuna EN 62841 mukaan..		
Värähtelyemissioarvo a _n / Epävarmuus K	2,16 m/s ² / 1,5 m/s ²	1,69 m/s ² / 1,5 m/s ²

VAROITUS!

Tässä tiedotteessa ilmoitettu (ilmoitetut) tärinä- ja melunpäästöarvo(t) on mitattu standardisoidulla testimenetelmällä SFS-EN 62841 mukaisesti ja sitä voidaan käyttää työkalun vertailumiseen toisen työkalun kanssa. Sitä voidaan käyttää alustavaan alitistuksen arviointiin.

Ilmoitettu tärinä- ja melunpäästöarvo koskee työkalun pääkäyttötarkoituksia. Jos kuitenkin työkalua käytetään eri käyttötarkoituksiin eri varusteiden kanssa tai huonosti huollettuna, voi tärinä- ja melunpäästö erota ilmoitetusta. Tämä voi merkittävästi nostaa alitistumistasoa koko työskentelyjakson ajaksi.

Arvioidussa tärinä- ja meluallistustasossa tulisi ottaa huomioon myös työkalun sammutuskerrat tai sen tyhjäkäynti. Tämä voi merkittävästi laskea alitistumistasoa koko työskentelyjakson ajaksi.

Tunnista esimerkiksi seuraavat lisävaroitimet, joilla voidaan suojata käyttäjää tärinän ja/tai melun vaikutuksilta: työkalun ja varusteiden ylläpito, käsien lämpimänä pito, työnkulun organisointi.

VAROITUS! Lue kaikki varoitimenpiteet, ohjeet, kuvalliset esitykset ja tiedot, jotka toimitetaan laitteen mukana. Ellet noudata seuraavia ohjeita, saattaa se johtaa sähköiskuun, tulipaloon ja/tai vaikeisiin loukkaantumisiin.

Säilytä kaikki turvallisuus- ja muut ohjeet tulevaisuutta varten.

HIOMAKONEIDEN TURVALLISUUSOHJEET

Hiomapintojen pinnoitteista, kuten polyuretaanin, pellavaöljy jne., kerääntynyt hiomapöly voi syttyä palamaan itsestään pölypussissa tai muualla, ja aiheuttaa tulipalon. Pienennä tulipalovaaraa tyhjennä pölypussi aina toistuvasti (10–15 minuutin välein) hiomisen aikana, äläkä koskaan säilytä tai jätä imuria tyhjentämättömän pölypussin kanssa. Noudata lisäksi pinnoitteen valmistajan suosituksia.

TÄYDENTÄVIÄ TURVALLISUUSMÄÄRÄYKSIÄ JA TYÖSKENTELYOHJEITA

Käytä suojavarusteita. Käytä aina suojalaseja. Henkilökohtaisen suojavarustuksen käyttö, kuten pölynaamarin, luistamattomien turvakenkien, suojakypärän tai kuulonsuojaimien, riippuen sähkötyökalun lajista ja käyttötavasta, vähentää loukkaumisriskiä.

Koneen käytöstä aiheutuva pöly ja jäte voi olla haitallista terveydelle eikä sen vuoksi tulisi päästä kosketukseen ihon kanssa. Koneella työskennellessä on käytettävä sopivaa suojainta. Terveystieteellisiä vaaroja aiheuttavien materiaalien (esim. asbestin) työstäminen on kielletty.

Jos käytetty työkalu juuttuu kiinni, sammuta laite heti! Älä kytkä laitetta uudelleen päälle työkalun ollessa vielä kiinni juuttuneena, koska tästä saattaa aiheutua voimakas takaisku. Selvitä työkalun juuttumisen syy ja poista syy turvallisuusmääräyksiä noudattaen.

Mahdollisia syitä voivat olla:

- työkalun vinoutuminen työstökappaleessa
- Työstettävän materiaalin läpimeno
- sähkötyökalun ylikuormitus

Älä tartu käynnissä olevan koneen työosiin.

Työkalu on teräväreunainen ja voi kuumentua käytön aikana.

VAROITUS! Viiltohaavojen ja palovammojen vaara

- työkaluja käytettäessä
- laitetta pois laskettaessa

Käytä työkalujen käsittelyn aikana suojakäsineitä.

Lastuja tai puruja ei saa poistaa koneen käydessä.

Varo seinään, kattoon tai lattiaan poraattaessa osumasta sähköjohtoon, kaasu- ja vesijohtoihin.

Varmista työstökappaleesi kiinnityslaitteella paikalleen. Varmistamattomat työstökappaleet saattavat aiheuttaa vakavia vammoja ja vaurioita.

Poista akku ennen laitteen säätö-, puhdistus- ja huoltotöiden aloittamista.

VAROITUS! Jotta vältetään lyhytsulun aiheuttama tulipalon, loukkaantumisen tai tuotteen vahingoittumisen vaara, älä koskaan upota työkalua, vaihtoakkuja tai latauslaitetta nesteeseen ja huolehdi siitä, ettei mitään nesteitä pääse tunkeutumaan laitteiden tai akkujen sisään. Syövyttävät tai sähköä johtavat nesteet, kuten suolavesi, tietyt kemikaalit ja lalkaisuinat tai valkaisuaineita sisältävät tuotteet voivat aiheuttaa lyhytsulun.

Vaihtoakkuja ja latauslaitteita ei saa avata. Säilytys vain kuivissa tiloissa. Suojattava kosteudelta.

Käytä ainoastaan System M12 latauslaitetta System M12 akkujen lataukseen. Älä käytä muiden järjestelmien akkuja.

TARKOITUKSEN MUKAINEN KÄYTTÖ

Nauhahiomakonetta voidaan käyttää puun, muovin, metallin, täyteaineen ja maalattujen pintojen hiomiseen.

Tämä tasohiomakone sopii vain kuivahiomiseen.

Älä käytä tuotetta muuhun kuin sille tarkoitettuun käyttöön.

JÄÄMÄRISKIT

Kaikkia jäämäreiskettä ei voida sulkea pois myöskään määräysten mukaisen käytön aikana. Käytössä saattaa syntyä seuraavia vaaroja, joita käyttäjän tulisi varoa erityisen huolella:

- Tärinän aiheuttamat vammat. Pitele laitetta tähän tarkoitettuista kahvoista ja rajoita työskentely- ja alitistumisaikasi.
- Melurasitus saattaa aiheuttaa kuulovaurioita. Käytä kuulosuojaimia ja rajoita alitistumisen kesto.
- Likahiukkasten aiheuttamat silmävammat. Käytä aina suojalaseja, tukevia pitkälahkeisia housuja, käsineitä ja tukevia jalkineita..
- Myrkyllisten pölyjen sisäänhengittäminen.

LI-IONI AKKUIEN OHJEITA

Li-ioniakkujen käyttö

Pitkään käyttämättä olleet vaihtoakut on ladattava ennen käyttöä.

Yli 50 °C lämpötilassa akun suorituskyky heikkenee. Välttämättä akkujen säilyttämistä auringossa tai kuumissa tiloissa. Pidä aina latauslaitteen ja akun kosketuspinnat puhtaina.

Optimaalisen käyttöiän saavuttamiseksi akut on ladattava täyteen käytön jälkeen.

Mahdollisimman pitkän elinajan takaamiseksi akut tulee poistaa laturista lataamisen jälkeen.

Akkuja yli 30 päivää säilytettäessä: Säilytä akkuyksikkö kuivassa paikassa, jonka lämpötila on alle 27 °C. Säilytä akku sen latauksen ollessa 30 % - 50 %. Lataa akku 6 kuukauden välein uudelleen.

Li-ioniakkujen ylläpidon ohjeet

Jos akku ylikuormittuu erittäin suuren virrankulutuksen takia, esim. erittäin voimakkaiden vääntömomenttien, äkillisen pysähtymisen tai oikosulun vuoksi, niin sähkötyökalu tärisee 5 sekunnin ajan, latausnäyttö vilkkuu ja sähkötyökalu sammuu omatoimisesti.

Käynnistä laite uudelleen päästämällä katkaisinpainikkeen irti ja käynnistämällä laitteen sitten uudelleen. Erittäin suuressa kuormituksessa akku kuumenee liikaa. Tässä tapauksessa latausnäytön kaikki lamput vilkkuvat, kunnes akku on jäähtynyt. Kun latausnäyttö on sammunut, voi työtä jatkaa.

Litium-ioniakkujen kuljetus

Litium-ioniakut kuuluvat vaarallisten aineiden kuljetuksesta annettujen lakien piiriin.

Näiden akkujen kuljettaminen täytyy suorittaa noudattaen paikallisia, kansallisia ja kansainvälisiä määräyksiä ja säädöksiä.

Kuluttajat saavat ilman muuta kuljettaa näitä akkuja teitä pitkin.

Kaupallisessa kuljetuksessa huolintaliikkeiden täytyy kuljettaa litium-ioniakkuja vaarallisten aineiden kuljetuksesta annettujen määräysten mukaisesti. Ainoastaan tähän vastaavasti koulutetut henkilöt saavat suorittaa kuljetuksen valmistelutoimet ja itse kuljetuksen. Koko prosessia tulee valvoa asiantuntevasti.

Seuraavat kohdat tulee huomioida akkuja kuljetettaessa:

Varmista, että akkujen kontaktit on suojattu ja eristetty, jotta vältetään lyhytsulut.

Huolehdi siitä, ettei akkusarja voi luiskahtaa paikaltaan pakkauksen sisällä. Vahingoittuneita tai vuotavia akkuja ei saa kuljettaa. Pyydä tarkemmat tiedot huolintaliikkeeltäsi.

TYÖSKENTELYOHJEITA

Aineenpoistonopeus hiomisen aikana ja pinnan viimeistely riippuvat olennaisesti hiomanauhan valinnasta ja esivalitusta nauhan nopeudesta. Mitä suurempi nauhan nopeus, sitä suurempi aineenpoistonopeus ja sitä hienompi hiomapinta.

Vain virheettömät hiomanauhut tuottavat hyvän hiontatuloksen ja suojaavat sähkötyökalua. Jos mahdollista, työskentele alhaisella kosketuspaineella pidentääksesi hiomanauhojen käyttöikää. Sähkötyökalun omapaino on riittävä hyvän hiontatuloksen saavuttamiseksi. Liika kosketuspaineen lisääminen ei paranna hiontatulosta vaan lisää sähkötyökalun ja hiomanauhan kulumista.

Aseta päälle kytketty sähkötyökalu koneistettavalle pinnalle. Työskentele kohtuullisella syöttönopeudella ja suorita hionta

hiomaratujen suuntaisesti ja limittäin. Hio syiden suuntaisesti. Ristikkäiset hiomaradat aiheuttavat häiritseviä hiontatuloksia.

Eriyisesti maalijäämät voivat pois hioittaessa sulaa ja tahrata materiaalin pinnan ja hiomanauhan. Työskentele siksi pölynpoistimen kanssa.

Hiomanauhaa, jolla on jo käsitelty metallia, ei tule käyttää muille materiaaleille.

Säilytä hiomanauhoja vain ripustamalla, äläkä taivuta niitä. Muuten niistä tulee käyttökelvottomia.

Nauhan nopeuden esivalinta

Tarvittava nauhan nopeus riippuu materiaalista ja työskentelyolosuhteista, ja se voidaan määrittää käytännön testien avulla.

PUHDISTUS

Pidä moottorin ilmanottoaukot puhtaina.

HUOLTO

Käytä ainoastaan Milwaukee lisätarvikkeita ja Milwaukee varaosia. Mikäli jokin komponentti, jota ei ole kuvailtu, tarvitsee vaihtoa ota yhteys johonkin Milwaukee palvelupisteistä (kts. listamme takuuhuoltoilikkeiden/ palvelupisteiden osoitteista)

Tarpeen vaatiessa voit pyytää lähettämään laitteen kokoonpanopiirustuksen ilmoittamalla arvokilven numeron seuraavasta osoitteesta: Techtronic Industries GmbH, Max-Eyth-Straße 10, 71364 Winnenden, Germany.

SYMBOLIT

	Lue käyttöohjeet huolellisesti, ennen koneen käynnistämistä.
	HUOMIO! VAROITUS! VAARA!
	Ota akku pois ennen kaikkia koneeseen tehtäviä toimenpiteitä.
	Käytä laitteella työskennellessäsi aina suojalaseja.
	Koneella työskennellessä on käytettävä sopivaa suojainta.
	Pyörimissuunta
	Lisälaite - Ei sisälly vakiovarustukseen, saatavana lisätarvikkeena.
	Sähkölaitteita, paristoja/akkuja ei saa hävittää yhdessä kotitalousjätteiden kanssa. Sähkölaitteet ja akut tulee kerätä erikseen ja toimittaa kierrätysliik- keeseen ympäristöstävällistä hävittämistä varten. Pyydä paikallisilta viranomaisilta tai alan kauppiailta tarkemmat tiedot kierrätyspisteistä ja keräyspaikoista.
n_0	Nauhan nopeus, tyhjäkäynnillä
v	Jännite
	Tasavirta
	Euroopan säännönmukaisuusmerkki
	Britannian säännönmukaisuusmerkki
	Ukrainan säännönmukaisuusmerkki
	Euraasian säännönmukaisuusmerkki

TEKNIKA SΤΟΙΧΕΙΑ	M12 FBFL10	M12 FBFL13
Κατασκευαστικό είδος	Λίμα μόντα	Λίμα μόντα
Αριθμός παραγωγής	4919 22 01 XXXXXX MJJJ	4919 32 01 XXXXXX MJJJ
Τάση ανταλλακτικής μπαταρίας	12 V =	12 V =
Ταχύτητα ταινίας, υψηλή ταχύτητα	0 - 18,5 m/s	0 - 18,4 m/s
Ταχύτητα ταινίας, χαμηλή ταχύτητα	0 - 9,2 m/s	0 - 9,3 m/s
Πλάτος μόντα	10 mm / 3/8"	13 mm / 1/2"
Μήκος ταινίας	330 mm / 13"	457 mm / 18"
Βάρος σύμφωνα με τη διαδικασία EPTA 01/2014 (Li-Ion 2,0 Ah ... 6,0 Ah)	1,0 ... 1.2 kg	1,1 ... 1,3 kg
Συνιστώμενη θερμοκρασία περιβάλλοντος για τη λειτουργία	-18 ... +50 °C	-18 ... +50 °C
Συνιστώμενη δέσμη συσσωρευτών	M12B...	M12B...
Συνιστώμενη συσκευή φόρτισης	C12C; M12-18...; M12C4; M12TC	C12C; M12-18...; M12C4; M12TC
Πληροφορίες θορύβου Τιμές μέτρησης εξακριβωμένες κατά EN 62841. Η σύμφωνη με την καμπύλη A εκτιμηθείσα στάθμη θορύβου του μηχανήματος αναφέρεται σε: Στάθμη ηχητικής πίεσης / Ανασφάλεια K Στάθμη ηχητικής ισχύος / Ανασφάλεια K	70 dB (A) / 3 dB (A) 81 dB (A) / 3 dB (A)	68 dB (A) / 3 dB (A) 79 dB (A) / 3 dB (A)
Φοράτε προστασία ακοής (ωασπίδες)!		
Πληροφορίες δόνησεων Υλικές τιμές κραδασμών (άθροισμα διανυσμάτων τριών διευθύνσεων) εξακριβώθηκαν σύμφωνα με τα πρότυπα EN 62841. Τιμή εκπομπής δόνησεων a_h / Ανασφάλεια K	2,16 m/s ² / 1,5 m/s ²	1,69 m/s ² / 1,5 m/s ²

ΠΡΟΕΙΔΟΠΟΙΗΣΗ!

Το αναφερόμενο στο παρόν φυλλάδιο επίπεδο τιμών δόνησης και εκπομπής θορύβου έχει μετρηθεί σύμφωνα με μια τυπική μέθοδο δοκιμών κατά το πρότυπο EN 62841 και μπορεί να χρησιμοποιηθεί για τη σύγκριση εργαλείων μεταξύ τους. Μπορεί να χρησιμοποιηθεί για μια προκαταρκτική αξιολόγηση της έκθεσης.

Οι αναφερόμενες τιμές επιπέδων δόνησης και εκπομπής θορύβου αντιστοιχούν στις βασικές εφαρμογές του εργαλείου. Στην περίπτωση χρήσης του εργαλείου σε διαφορετικές εφαρμογές, με διαφορετικά εξαρτήματα ή ανεπαρκή συντήρηση, τα επίπεδα δόνησης και εκπομπών θορύβου ενδέχεται να διαφέρουν. Αυτό μπορεί να έχει ως συνέπεια μία σημαντική αύξηση των επιπέδων έκθεσης καθόλη τη διάρκεια εκτέλεσης των εργασιών.

Για μία εκτίμηση των επιπέδων έκθεσης σε δόνηση και θόρυβο πρέπει να συνυπολογίζονται οι χρόνοι απενεργοποίησης του εργαλείου ή αυτοί κατά τους οποίους παραμένει ενεργό χωρίς να εκτελείται κάποια εργασία. Αυτό μπορεί να μειώσει σημαντικά τα επίπεδα έκθεσης καθόλη τη διάρκεια εκτέλεσης των εργασιών.

Ορίστε πρόσθετα μέτρα προστασίας του χειριστή από την έκθεση στη δόνηση ή/και στον θόρυβο όπως: συντήρηση του εργαλείου και των παρελκόμενων εξαρτημάτων, διατήρηση θερμότητας των χεριών, οργάνωση μοτίβων εργασίας.

ΠΡΟΕΙΔΟΠΟΙΗΣΗ! Διαβάστε όλες τις υποδείξεις ασφαλείας, τις οδηγίες, τις εικόνες και τα δεδομένα, τα οποία θα λάβετε μαζί με το μηχανήμα. Η μη τήρηση των οδηγιών που ακολουθούν, μπορεί να οδηγήσει σε ηλεκτροπληξία, φωτιά και/ή σε σοβαρούς τραυματισμούς.

Φυλάξτε όλες τις προειδοποιητικές υποδείξεις και οδηγίες για κάθε μελλοντική χρήση.

ΟΔΗΓΙΕΣ ΑΣΦΑΛΕΙΑΣ ΓΙΑ ΤΡΙΒΕΙΑ

Η σκόνη λείανσης που συλλέγεται από τις επικαλύψεις των επιφανειών λείανσης, όπως πολυουρεθάνης, λινέλαιου κ.λπ., μπορεί να αυταναφλεγεί μέσα στη σακούλα της ηλεκτρικής σκούπας ή αλλού και να προκαλέσει πυρκαγιά. Για να μειώσετε τον κίνδυνο πυρκαγιάς, αδειάζετε πάντα τη σακούλα της ηλεκτρικής σκούπας ανά τακτικά χρονικά διαστήματα (10-15 λεπτά) κατά τη διάρκεια της λείανσης και μην αποθηκεύετε ή αφήνετε ποτέ μια ηλεκτρική σκούπα χωρίς να αδειάσετε πλήρως τη σακούλα της. Επίσης ακολουθείτε τις συστάσεις των κατασκευαστών των υλικών επικάλυψης.

ΠΕΡΑΙΤΕΡΩ ΟΔΗΓΙΕΣ ΑΣΦΑΛΕΙΑΣ ΚΑΙ ΧΡΗΣΕΩΣ

Φοράτε έναν κατάλληλο για σας προστατευτικό εξοπλισμό και πάντοτε προστατευτικά γυαλιά. Όταν φοράτε έναν κατάλληλο προστατευτικό εξοπλισμό όπως μάσκα προστασίας από σκόνη, αντιολισθητικά υποδήματα ασφαλείας, προστατευτικό κράνος ή ωσασπίδες, ανάλογα με εκάστοτε εργαλείο και τη χρήση του, ελαττώνεται ο κίνδυνος τραυματισμών.

Η σκόνη που δημιουργείται κατά την εργασία είναι συχνά επιβλαβής για την υγεία και δεν επιτρέπεται να έλθει στο σώμα. Να φοράτε

κατάλληλη μάσκα προστασίας από σκόνη. Μην επεξεργάζεστε επικίνδυνα για την υγεία υλικά (π.χ. αμίαντος).

Σε περίπτωση μπλοκαρίσματος της αριδίας απενεργοποιείστε αμέσως τη συσκευή! Μην ενεργοποιείτε εκ νέου τη συσκευή όσο η αριδα είναι μπλοκαρισμένη. Σ' αυτή τη περίπτωση θα μπορούσε να προκύψει υψηλή ροπή αντίδρασης. Βρείτε την αιτία του μπλοκαρίσματος της αριδίας και ξεμπλοκάρτε την λαμβάνοντας υπόψη τις οδηγίες ασφαλείας.

Πιθανές αιτίες:

- Η αριδα μάγκωσε με το προς κατεργασία κομμάτι.
- Θραύση του επεξεργαζόμενου υλικού
- Υπερφόρτωση του ηλεκτρικού εργαλείου.

Μην απλώνετε τα χέρια σας στην επικίνδυνη περιοχή της μηχανής όταν είναι σε λειτουργία.

Το ένθετο εργαλείο είναι αιχμηρό και μπορεί να ζεσταίνεται πολύ κατά τη διάρκεια της εφαρμογής.

ΠΡΟΣΟΧΗ! Κίνδυνος κοψίματος και εγκαύματος - κατά το χειρισμό των ένθετων εργαλείων

- κατά την απόθεση της συσκευής
Κατά το χειρισμό των ένθετων εργαλείων να φοράτε προστατευτικά γάντια.

Τα γρέζια ή οι σκλήθρες δεν επιτρέπεται να απομακρύνονται όσο η μηχανή βρίσκεται σε λειτουργία.

Κατά τις εργασίες σε τοίχο, οροφή ή δάπεδο προσέχετε για τυχόν ηλεκτρικά καλώδια και για σωλήνες αερίου και νερού.

Ασφαλίστε το προς κατεργασία κομμάτι στη μέγερη ή με μια άλλη

διάταξη στερέωσης. Μη ασφαλισμένα προς κατεργασία κομμάτια μπορεί να προκαλέσουν σοβαρούς τραυματισμούς και ζημιές.

Αφαιρέστε το πακέτο συσσωρευτών, προτού ξεκινήσετε οποιαδήποτε εργασία ρύθμισης, καθαρισμού και συντήρησης στη συσκευή.

ΠΡΟΕΙΔΟΠΟΙΗΣΗ! Για να αποτρέπεται τον κίνδυνο πυρκαγιάς λόγω βραχυκυκλώματος, τραυματισμούς ή ζημιές του προϊόντος, να μη βυθίζετε το εργαλείο, τον ανταλλακτικό συσσωρευτή ή τη συσκευή φόρτισης σε υγρά και να φροντίζετε, ώστε να μη διεισδύουν υγρά στις συσκευές και τους συσσωρευτές. Διαβρωτικές ή αγώγιμες υγρές ουσίες, όπως αλατόνερο, ορισμένες χημικές ουσίες και λευκαντικά ή προϊόντα που περιέχουν λευκαντικά, μπορεί να προκαλέσουν βραχυκύκλωμα.

Μην ανοίγετε τις ανταλλακτικές μπαταρίες και τους φορτιστές και χρησιμοποιείτε για αποθήκευση μόνο στεγνούς χώρους. Προστατεύετε τις ανταλλακτικές μπαταρίες και τους φορτιστές από την υγρασία.

Φορτίζετε τις ανταλλακτικές μπαταρίες του συστήματος M12 μόνο με φορτιστές του συστήματος M12. Μη φορτίζετε μπαταρίες από άλλα συστήματα.

ΧΡΗΣΗ ΣΥΜΦΩΝΑ ΜΕ ΤΟ ΣΚΟΠΟ ΠΡΟΟΡΙΣΜΟΥ

Ο ταινιοεισαντήρας μπορεί να χρησιμοποιηθεί για τη λείανση ξύλου, πλαστικού, μετάλλων, στόκου και βαμμένων επιφανειών.

Αυτή η μηχανή είναι κατάλληλη μόνο για ξηρή λείανση!

Μη χρησιμοποιείτε το προϊόν με οποιονδήποτε άλλο τρόπο από αυτούς που δηλώνονται για την προβλεπόμενη χρήση.

ΛΟΙΠΟΙ ΚΙΝΔΥΝΟΙ

Ακόμη και σε κανονική χρήση δεν μπορούν να αποκλείονται όλοι οι υπολειπόμενοι κίνδυνοι. Κατά τη χρήση θα μπορούσαν να προκύψουν οι ακόλουθοι κίνδυνοι, στους οποίους θα έπρεπε να δίνει ο χειριστής ιδιαίτερη προσοχή:

- Τραυματισμοί που προκύπτουν από δονήσεις. Να κρατάτε το μηχάνημα από τις προβλεπόμενες για το σκοπό αυτό χειρολαβές και να περιορίζετε το χρόνο εργασίας και έκθεσης.
- Η ηχορρύπανση μπορεί να οδηγήσει σε ακουστικά τραύματα. Να φοράτε προστατευτικά ακούς και να περιορίζετε τη διάρκεια έκθεσης.
- Τραυματισμοί των οφθαλμών που προκύπτουν από ρυπαρόνα σωματίδια. Να φοράτε πάντα προστατευτικά γυαλιά, ανθεκτικά, μακριά παντελόνια, γάντια και ανθεκτικά υποδήματα..
- Εισπνοή δηλητηριώδους σκόνης.

ΥΠΟΔΕΙΞΕΙΣ ΓΙΑ ΕΠΑΝΑΦΟΡΤΙΖΟΜΕΝΕΣ ΜΠΑΤΑΡΙΕΣ ΙΟΝΤΩΝ ΛΙΘΙΟΥ

Χρήση επαναφορτιζόμενων μπαταριών ιόντων λιθίου

Επαναφορτίζετε τις ανταλλακτικές μπαταρίες που δεν έχουν χρησιμοποιηθεί για μεγαλύτερο χρονικό διάστημα πριν τη χρήση.

Μια θερμοκρασία πάνω από 50°C μειώνει την ισχύ της ανταλλακτικής μπαταρίας. Αποφεύγετε τη θέρμανση για μεγαλύτερο χρονικό διάστημα από τον ήλιο ή τις συσκευές θέρμανσης. Διατηρείτε τις επαφές σύνδεσης στο φορτιστή και στην ανταλλακτική μπαταρία καθαρές.

Για μια άριστη διάρκεια ζωής πρέπει μετά τη χρήση οι μπαταρίες να φορτιστούν πλήρως.

Για μια κατά το δυνατόν μεγάλη διάρκεια ζωής οι μπαταρίες μετά τη φόρτιση οφείλουν να αφαιρεθούν από το φορτιστή.

Για την αποθήκευση της μπαταρίας για διάστημα μεγαλύτερο των 30 ημερών:

Αποθηκεύετε το πακέτο μπαταρίας σε χώρο με θερμοκρασία μικρότερη από 27 °C και χωρίς υγρασία. Αποθηκεύετε τη μπαταρία περ. στο 30%-50% της κατάστασης φόρτισης.

Κάθε 6 μήνες φορτίζετε εκ νέου τη μπαταρία.

Προστασία υπερφόρτισης επαναφορτιζόμενων μπαταριών ιόντων λιθίου

Σε υπερφόρτωση της μπαταρίας από πολύ υψηλή κατανάλωση ρεύματος, π. χ. από ακραίες υψηλές ροπές περιστροφής, μπλοκάρισμα του τρυπανιού, δονείται το ηλεκτρικό εργαλείο για

5 δευτερόλεπτα, αναβοσβήνει η ένδειξη φόρτισης και το ηλεκτρικό εργαλείο απενεργοποιείται αυτόματα.

Για μια νέα ενεργοποίηση, αφήνετε ελεύθερο το διακόπτη και στη συνέχεια ενεργοποιείτε εκ νέου. Κάτω από ακραίες καταπονήσεις θερμαίνεται πάρα πολύ η μπαταρία. Στην περίπτωση αυτή αναβοσβήνουν όλες οι λάμπες της ένδειξης φόρτισης μέχρι να έχει κρυσώσει η μπαταρία. Μετά το σβήσιμο της ένδειξης φόρτισης μπορεί να συνεχιστεί η συνεργασία.

Μεταφορά των μπαταριών ιόντων λιθίου

Οι μπαταρίες ιόντων λιθίου υπόκεινται στις απαιτήσεις των νομικών διατάξεων για την μεταφορά επικινδύνων εμπορευμάτων.

Η μεταφορά τέτοιων μπαταριών πρέπει να πραγματοποιείται τηρώντας τους τοπικούς, εθνικούς και διεθνείς κανονισμούς και τις αντίστοιχες διατάξεις.

Επιτρέπεται η μεταφορά τέτοιων μπαταριών στο δρόμο χωρίς περαιτέρω απαιτήσεις.

Η εμπορική μεταφορά μπαταριών ιόντων λιθίου από εταιρείες μεταφορών υπόκειται στις απαιτήσεις των νομικών διατάξεων για την μεταφορά επικινδύνων εμπορευμάτων. Οι προετοιμασίες αποστολής και η μεταφορά πραγματοποιούνται αποκλειστικά από ειδικά εκπαιδευμένα πρόσωπα. Η συνολική διαδικασία συνοδεύεται από εξειδικευμένο προσωπικό.

Κατά τη μεταφορά μπαταριών ιόντων λιθίου πρέπει να προσέχετε τα εξής:

Φροντίστε τα σημεία επαφών να είναι προστατευμένα και μονωμένα ώστε να αποφευχθούν βραχυκυκλώματα.

Προσέξτε το πακέτο μπαταριών να είναι σταθερό μέσα στη συσκευασία και να μη γλιστρά. Η μεταφορά μπαταριών που παρουσιάζουν φθορές ή διαρροές δεν επιτρέπεται. Για περισσότερες πληροφορίες απευθυνθείτε στην εταιρεία μετάφορων.

ΥΠΟΔΕΙΞΕΙΣ ΕΡΓΑΣΙΑΣ

Ο ρυθμός αφαίρεσης υλικού κατά τη διάρκεια της λείανσης και το αποτέλεσμα λείανσης στην επιφάνεια εξαρτώνται ουσιαστικά από την επιλογή της ταινίας λείανσης και την προεπιλεγμένη ταχύτητα της ταινίας. Όσο υψηλότερη η ταχύτητα της ταινίας, τόσο υψηλότερος ο ρυθμός αφαίρεσης του υλικού και αμολότερη η επιφάνεια λείανσης.

Μόνο ταινίες λείανσης που βρίσκονται σε άριστη κατάσταση επιτυγχάνουν καλή απόδοση λείανσης και προστατεύουν το ηλεκτρικό εργαλείο. Εάν είναι δυνατόν, να εργάζεστε με χαμηλή πίεση επαφής για να αυξήσετε τη διάρκεια ζωής των ιμάντων λείανσης. Το ίδιο βάρος του ηλεκτρικού εργαλείου είναι επαρκές για μια καλή απόδοση λείανσης. Η υπερβολική αύξηση της πίεσης επαφής δεν καταλήγει σε υψηλότερη απόδοση λείανσης, αλλά σε αυξημένη φθορά του ηλεκτρικού εργαλείου και της ταινίας λείανσης.

Τοποθετήστε το ενεργοποιημένο ηλεκτρικό εργαλείο επάνω στην επιφάνεια προς επεξεργασία. Προωθήστε το εργαλείο επάνω στην επιφάνεια με μέτρια ταχύτητα και λειάνετε την επιφάνεια ακολουθώντας παράλληλες και αλληλεπικαλυπτόμενες ευθείες. Λειάνετε παράλληλα με τις ίνες του ξύλου. Η λείανση κάθετα προς τις ίνες του ξύλου καταλήγει σε ανομοιόμορφη όψη λείανσης. Ιδιαίτερα κατά την αφαίρεση υπολειμμάτων βαφής με λείανση, τα υπολείμματα βαφής μπορεί να λιώσουν και να λερώσουν την ταινία λείανσης. Για τον λόγο αυτό, να εργάζεστε με μια συσκευή αναρρόφησης σκόνης.

Μια ταινία λείανσης που έχει ήδη χρησιμοποιηθεί για την επεξεργασία μετάλλων δεν θα πρέπει να χρησιμοποιείται με οποιοδήποτε άλλο υλικό.

Αποθηκεύετε τις ταινίες λείανσης σε κρεμαστή θέση και μην τις λυγίζετε, αλλιώς θα καταστούν ακατάλληλες προς χρήση.

Προεπιλογή ταχύτητας ταινίας

Η απαιτούμενη ταχύτητα της ταινίας εξαρτάται από το υλικό και τις συνθήκες εργασίας και μπορεί να προσδιοριστεί με πρακτικές δοκιμές.

ΣΥΝΤΗΡΗΣΗ ΚΑΙ ΚΑΘΑΡΙΣΜΟΣ

Διατηρείτε πάντοτε τις σχισμές εξερισμού της μηχανής καθαρές.

ΣΥΝΤΗΡΗΣΗ

Χρησιμοποιείτε μόνο αξεσουάρ Milwaukee και ανταλλακτικά Milwaukee. Εξαρτήματα, που η αλλαγή τους δεν περιγράφεται, αντικαθιστώνται σε μια τεχνική υποστήριξη της Milwaukee (βλέπε φυλλάδιο εγγύηση/ διευθύνσεις τεχνικής υποστήριξης).

Όταν χρειάζεται, μπορείτε να ζητήσετε ένα σχέδιο συναρμολόγησης της συσκευής, δίνοντας τον τύπο της μηχανής και αριθμό στην πινακίδα ισχύος, από το κέντρο σέρβις ή απευθείας από τη φίρμα Techtronic Industries GmbH, Max-Eyth-Straße 10, 71364 Winnenden, Germany.

ΣΥΜΒΟΛΑ

	Παρακαλώ διαβάστε σχολαστικά τις οδηγίες χρήσης πριν από την έναρξη λειτουργίας.
	ΠΡΟΣΟΧΗ! ΠΡΟΕΙΔΟΠΟΙΗΣΗ! ΚΙΝΔΥΝΟΣ!
	Πριν από κάθε εργασία στη μηχανή αφαιρείτε την ανταλλακτική μπαταρία.
	Στις εργασίες με τη μηχανή φοράτε πάντοτε προστατευτικά γυαλιά.
	Να φοράτε κατάλληλη μάσκα προστασίας από σκόνη.
	Κατεύθυνση της περιστροφής
	Εξαρτήματα - Δεν περιλαμβάνονται στα υλικά παράδοσης, συνιστούμενη προσθήκη από το πρόγραμμα εξαρτημάτων.
	Ηλεκτρικά μηχανήματα, μπαταρίες/συσσωρευτές δεν επιτρέπεται να απορρίπτονται μαζί με τα οικιακά απορρίμματα. Ηλεκτρικά μηχανήματα και συσσωρευτές συλλέγονται ξεχωριστά και παραδίδονται προς ανακύκλωση με τρόπο φιλικό προς το περιβάλλον σε επιχείρηση επεξεργασίας απορριμμάτων. Ενημερωθείτε από τις τοπικές υπηρεσίες ή από ειδικευμένους εμπόρους σχετικά με κέντρα ανακύκλωσης και συλλογής απορριμμάτων.
n_0	Ταχύτητα ταινίας, Ρελαντί
v	Τάση
	Συνεχές ρεύμα
	Ευρωπαϊκό σήμα πιστότητας
	Βρετανικό σήμα πιστότητας
	Ουκρανικό σήμα πιστότητας
001	
	Ευρασιατικό σήμα πιστότητας

TEKNİK VERİLER	M12 FBFL10	M12 FBFL13
Modeli	Bant eđesi	Bant eđesi
Üretim numarası	4919 22 01 XXXXXX MJJJJ	4919 32 01 XXXXXX MJJJJ
Kartuş akü gerilimi	12 V =	12 V =
Şerit hızı, yüksek hız	0 - 18,5 m/s	0 - 18,4 m/s
Şerit hızı, düşük hız	0 - 9,2 m/s	0 - 9,3 m/s
Geniş bant	10 mm / 3/8"	13 mm / 1/2"
Şerit uzunluğu	330 mm / 13"	457 mm / 18"
Ağırlığı ise EPTA-üretici 01/2014'e göre (Li-Ion 2,0 Ah ... 6,0 Ah)	1,0 ... 1,2 kg	1,1 ... 1,3 kg
Çalıştırılması için tavsiye edilen ortam sıcaklığı	-18 ... +50 °C	-18 ... +50 °C
Tavsiye edilen güç paketleri	M12B...	M12B...
Tavsiye edilen şarj aletleri	C12C; M12-18...; M12C4; M12TC	C12C; M12-18...; M12C4; M12TC
Gürültü bilgileri Ölçüm değerleri EN 62841 e göre belirlenmektedir.		
Aletin, frekansa bağımlı uluslararası ses basıncı seviyesi değerlendirme eğrisi A'ya göre tipik gürültü seviyesi:		
Ses basıncı seviyesi / Tolerans K	70 dB (A) / 3 dB (A)	68 dB (A) / 3 dB (A)
Akustik kapasite seviyesi / Tolerans K	81 dB (A) / 3 dB (A)	79 dB (A) / 3 dB (A)
Koruyucu kulaklık kullanın!		
Vibrasyon bilgileri Toplam titreşim değeri (üç yönün vektör toplamı) EN 62841'e göre belirlenmektedir..		
titreşim emisyon değeri a _h / Tolerans K	2,16 m/s ² / 1,5 m/s ²	1,69 m/s ² / 1,5 m/s ²

⚠ UYARI!

Bu bilgi formunda belirtilen titreşim ve gürültü düzeyi EN 62841 uyarınca standart bir test yöntemine göre ölçülmüş olup, bir aleti diğeriyle karşılaştırmak için kullanılabilir. Bir maruz kalma ön değerlendirmesi için de kullanılabilir.

Beyan edilmiş titreşim ve gürültü emisyon değeri aletin ana uygulamalarını temsil eder. Ancak, alet farklı uygulamalar için veya farklı aksesuarla kullanılır ya da aletin bakımı yetersiz yapılırsa, titreşim ve gürültü emisyonu farklılık gösterebilir. Bu, toplam çalışma süresi boyunca maruz kalma seviyesini önemli ölçüde artırabilir.

Titreşim ve gürültüye maruz kalma seviyesi tahmininde, aletin kapalı olduğu veya çalıştığı, ancak aslında işini yapmadığı süreler de göz önünde bulundurulmalıdır. Bu, toplam çalışma süresi boyunca maruz kalma seviyesini önemli ölçüde azaltabilir.

Operatörü titreşim ve/veya gürültünün etkilerinden korumak için, aletin ve aksesuarların bakımını yapmak, elleri sıcak tutmak ve çalışma biçimlerini düzenlemek gibi ilave güvenlik önlemleri belirleyin.

⚠ UYARI! Cihazla birlikte gelen tüm güvenlik uyarılarını, talimatları, çizimleri ve bilgileri okuyun. Aşağıdaki talimat hükümlerine uymadığınız takdirde elektrik çarpması, yangın veya ağır yaralanma tehlikesi ile karşılaşabilirsiniz.

Bütün uyarıları ve talimat hükümlerini ilerde kullanmak üzere saklayın.

ZIMPARA MAKİNELERİ İÇİN GÜVENLİK TALİMATLARI

Poliüretan, bezir yağı vb. yüzey kaplamaları zımparalanırken toplanan zımpara tozu, elektrikli süpürge torbasında ya da başka bir yerde kendi kendine alev alarak yangına neden olabilir. Yangın riskini azaltmak için zımparalama sırasında daima elektrikli süpürge torbasını sık sık (10-15 dakikada bir) boşaltın ve elektrikli süpürgeyi asla elektrikli süpürge torbasını tamamen boşaltmadan bırakmayın. Ayrıca, kaplama üreticilerinin tavsiyelerine uyun.

EK GÜVENLİK VE ÇALIŞMA TALİMATLARI

Daima kişisel koruyucu donanım ve bir koruyucu gözlük kullanın. Elektrikli el aletin türü ve kullanımına uygun olarak; toz maskesi, kaymayan iş ayakkabıları, koruyucu kask veya koruyucu kulaklık gibi koruyucu donanım kullanımı yaralanma tehlikesini azaltır.

Çalışma sırasında ortaya çıkan toz genellikle sağlığa zararlıdır ve bedenimize temas etmemelidir. Uygun bir koruyucu toz maskesi kullanın Sağlık tehlikelerine neden olan malzemelerin işlenmesi yasaktır (örn. asbest).

Uca yerleştirilen takımın bloke olması halinde lütfen cihazı hemen kapatın! Uca yerleştirilen takım bloke olduğu sürece cihazı tekrar çalıştırmayın; bu sırada yüksek reaksiyon momentine sahip bir geri tepme meydana gelebilir. Uca yerleştirilen takımın neden bloke olduğuna bakın ve bu durumu güvenlik uyarılarına dikkat ederek gidin.

Olası nedenler şunlar olabilir:

- İşlenen parça içinde takılma

- İşlenen malzemenin kırılması
- Elektrikli alete aşırı yük binmesi

Ellerinizi çalışmakta olan makinenin içine uzatmayın.

Uç keskin kenarlıdır ve kullanım sırasında ısınabilir.

İKAZ! Kesme ve yanma tehlikesi

- uçların kullanımı sırasında

- aletin yere bırakılması sırasında

Uçları kullanırken eldiven giyiniz.

Alet çalışır durumda iken talaş ve kırıntılı temizlemeye çalışmayın.

Duvar, tavan ve zeminde delik açarken elektrik kablolarına, gaz ve su borularına dikkat edin.

İşlenen parçayı bir germe tertibatıyla emniyete alın. Emniyete alınmayan iş parçaları ağır yaralanmalar ve hasarlara neden olabilir.

Cihaz üzerinde herhangi bir ayar, temizlik ve bakım çalışmasına başlamadan önce pil paketini çıkarın.

UYARI! Bir kısa devreden kaynaklanan yangın, yaralanma veya ürün hasarları tehlikesini önlemek için aleti, güç paketini veya şarj cihazını asla sıvıların içine daldırmayınız ve cihazların ve pillerin içine sıvı girmesini önleyiniz. Tuzlu su, belirli kimyasallar, ağartıcı madde veya ağartıcı madde içeren ürünler gibi korozif veya iletken sıvılar kısa devreye neden olabilir.

Kartuş aküleri ve şarj cihazını açmayın ve sadece kuru yerlerde saklayın. Neme ve ıslanmaya karşı koruyun.

M12 sistemli kartuş aküleri sadece M12 sistemli şarj cihazları ile şarj edin. Başka sistemli aküleri şarj etmeyin.

KULLANIM

Bant zımpara; ahşap, plastik, metal, astar boya ve boyalı yüzeyleri zımparalamak için kullanılabilir.

Bu alet sadece kuru taşlama işleri uygundur.

Aleti belirtilen kullanım amaçları dışında herhangi bir başka amaç için kullanmayın.

KALAN TEHLİKELER

Usulüne uygun kullanım durumunda da bütün kalan riskler ortadan kaldırılamaz. Kullanım sırasında, kullanıcının özellikle dikkat etmesi gerektiği aşağıdaki tehlikeler oluşabilir:

- Titreşimden dolayı oluşan yaralanmalar. Cihazı bunun için öngörülen kulplardan tutun ve çalışma ve maruz kalam sürelerini sınırlandırın.
- Gürültü yükü işitme zararlarına neden olabilir. Kulaklık takın ve maruz kalma süresini sınırlandırın.
- Kir parçacıklarından dolayı oluşan göz yaralanmaları. Daima koruyucu gözlük, sağlam uzun pantolon, eldiven ve sağlama ayakkabılar giyiniz.
- Zehirli tozların solunması.

LİTYUM İYON PİLLER İÇİN AÇIKLAMALAR

Lityum iyon pillerin kullanılması

Uzun süre kullanım dışı kalmış kartuş aküleri kullanmadan önce şarj edin.

50°C üzerindeki sıcaklıklar kartuş akünün performansını düşürür. Akünün güneş ışığı veya mekân sıcaklığı altında uzun süre ısınmamasına dikkat edin.

Şarj cihazı ve kartuş aküdeki bağlantı noktalarını temiz tutun.

Akünün ömrünün mükemmel bir şekilde uzun olması için kullandıktan sonra tamamen doldurulması gerekir. Ömrünün mümkün olduğu kadar uzun olması için akülerin yüklemeye yapıldıktan sonra doldurma cihazından uzaklaştırılması gerekir.

Akünün 30 günden daha fazla depolanması halinde:

Batarya kutusunu, 27°C'nin altında bir sıcaklıkta ve nemden uzak bir yerde saklayın

Aküyü yüklemeye durumunun takriben % 30 - %50 olarak depolayın. Aküyü her 6 ay yeniden doldurun.

Lityum iyon pillerin aşırı pil şarj koruması

Pek fazla elektrik tüketiminden dolayı, örneğin aşırı fazla devir momentleri, aniden durma veya kısa devre gibi aküye aşırı yüklenme durumunda elektro cihazı 5 saniye titreşir, yüklemeye göstergesi yanıp söner ve elektro cihaz kendiliğinden durur.

Yeniden çalıştırmak için şalter baskısını serbest bırakın ve bundan sonra tekrar çalıştırın. Akü aşırı yüklenmeden dolayı fazla ısınır. Bu durumda akü soğuyana kadar yüklemeye göstergesinin bütün lambaları yanıp söner. Gösterge lambalarının sönmelerinden sonra tekrar çalışmaya devam edilebilir.

Lityum iyon pillerin taşınması

Lityum iyon piller tehlikeli madde taşımacılığı hakkındaki yasal hükümler tabidir.

Bu piller, bölgesel, ulusal ve uluslararası yönetmeliklere ve hükümlere uyularak taşınmak zorundadır.

Tüketiciler bu pilleri herhangi bir özel şart aranmaksızın karayoluyla taşıyabilirler.

Lityum iyon pillerin nakliye şirketleri tarafından ticari taşımacılığı için tehlikeli madde taşımacılığının hükümleri geçerlidir. Sevki hazırlığı ve taşıma sadece ilgili eğitimi görmüş personel tarafından gerçekleştirilebilir. Bütün süreç uzmanca bir refakatçilik altında gerçekleştirilmelidir.

Pillerin taşınması sırasında aşağıdaki hususlara dikkat edilmesi gerekmektedir.

Kısa devre oluşmasını önlemek için kontakların korunmuş ve izole edilmiş olması sağlanmalıdır.

Pil paketinin ambalajı taşınma kaymamasına dikkat ediniz. Hasarlı veya akmiş pillerin taşınması yasaktır. Ayrıca bilgiler için nakliye şirketinize başvurunuz.

ÇALIŞMA AÇIKLAMALARI

Zımparalama ve yüzey tesviyesi sırasında malzeme ayırma hızını, tercih edilen zımpara bandı ve önceden seçilen bant hızı belirler. Bant hızı ne kadar yüksek olursa, malzeme ayırma hızı da o kadar yüksek ve zımpara yüzeyi de o kadar ince olur.

Yalnızca kusursuz aşındırıcı bantlar iyi bir zımparalama performansı gösterir ve elektrikli cihazı korur. Zımpara bantlarının çalışma ömrünü arttırmak için mümkünse düşük temas basıncıyla çalışın. Elektrikli cihazın yüksüz ağırlığı, iyi bir zımparalama performansı için yeterlidir. Temas basıncının gereğinden fazla artırılması, daha yüksek bir zımparalama performansı sağlamaz; elektrikli cihaz ve zımpara bandının daha çok yıpranmasına sebep olur.

Elektrikli cihazı, zımparalanacak yüzeye çalışır şekilde yerleştirin. Orta dereceli bir ilerleme hızıyla çalışın; zımparalama işlemini zımparalama yollarına paralel ve üst üste gelecek şekilde sürdürün. Pürüzlerin yönüne doğru zımparalayın; çapraz zımparalama, rahatsız edici zımpara izleri bırakır.

Özellikle boya kalıntılarını zımparalarken, bu kalıntılar eriyip malzeme yüzeyine ve zımpara bandına bulaşabilir. Bu nedenle, tozları gidererek çalışın.

Metal işlediğiniz bir zımpara bandını başka bir malzeme için kullanmamalısınız.

Zımpara bantlarını yalnızca asarak saklayın ve eğip bükmeyin; aksi halde kullanılamaz hale gelirler.

Bant hızını önceden seçin

Gerekten bant hızı, malzeme ve çalışma koşullarına göre değişir ve pratik testlerle belirlenebilir.

TEMİZLENMESİ

Aletin havalandırma aralıklarını daima temiz tutun.

BAKIM

Sadece Milwaukee aksesuarı ve yedek parçası kullanın. Nasıl değiştirileceği açıklanmamış olan yapı parçalarını bir Milwaukee müşteri servisinden değiştirin (Garanti ve servis adresi broşürüne dikkat edin).

Gerektiği takdirde aletin dağılık görünüş şeması, alet tipinin ve tip etiketi üzerindeki sayıyı bildirilmesi koşuluyla müşteri servisinden veya doğrudan Techtronic Industries GmbH, Max-Eyth-Straße 10, 71364 Winnenden, Germany adresinden istenebilir.

	Lütfen aleti çalıştırmadan önce kullanma kılavuzunu dikkatli biçimde okuyun.
	DİKKAT! UYARI! TEHLİKE!
	Aletin kendinde bir çalışma yapmadan önce kartuş aküyü çıkarın.
	Aletle çalışırken daima koruyucu gözlük kullanın.
	Uygun bir koruyucu toz maskesi kullanın
	Dönme yönü
	Aksesuar - Teslimat kapsamında değildir, önerilen tamamlamalar aksesuar programında.
	Elektrikli cihazların, pillerin/akülerin evsel atıklarla birlikte bertaraf edilmesi yasaktır. Elektrikli cihazlar ve aküler ayrılarak biriktirilmeli ve çevreye zarar vermeden bertaraf edilmeleri için bir atık değerlendirme tesisine götürülmelidirler. Yerel makamlara veya satıcınıza geri dönüşüm tesisleri ve atık toplama merkezlerinin yerlerini danışınız.
n_0	Şerit hızı, Boşta çalışma
V	Voltaj
	Doğru akım
	Avrupa uyumluluk işareti
	Britanya uyumluluk işareti
	Ukrayna uyumluluk işareti
	Avrasya uyumluluk işareti

	M12 FBFL10	M12 FBFL13
Typ	Pilovací pásy	Pilovací pásy
Výrobní číslo	4919 22 01 XXXXXX MJJJJ	4919 32 01 XXXXXX MJJJJ
Napětí výměnného akumulátoru	12 V =	12 V =
Rychlost brusného pásu, vysoká rychlost	0 - 18,5 m/s	0 - 18,4 m/s
Rychlost brusného pásu, nízká rychlost	0 - 9,2 m/s	0 - 9,3 m/s
Široký pás	10 mm / 3/8"	13 mm / 1/2"
Délka brusného pásu	330 mm / 13"	457 mm / 18"
Hmotnost podle prováděcího předpisu EPTA 01/2014 (Li-Ion 2,0 Ah ... 6,0 Ah)	1,0 ... 1,2 kg	1,1 ... 1,3 kg
Doporučená teplota okolí pro provoz	-18 ... +50 °C	-18 ... +50 °C
Doporučené akupaky	M12B...	M12B...
Doporučené nabíječky	C12C; M12-18...; M12C4; M12TC	C12C; M12-18...; M12C4; M12TC
Informace o hluku Naměřené hodnoty odpovídají EN 62841. V třídě A posuzovaná hladina hluku přístroje činí typicky:		
Hladina akustického tlaku / Kolísavost K	70 dB (A) / 3 dB (A)	68 dB (A) / 3 dB (A)
Hladina akustického výkonu / Kolísavost K	81 dB (A) / 3 dB (A)	79 dB (A) / 3 dB (A)
Používejte chrániče sluchu !		
Informace o vibracích Celkové hodnoty vibrací (vektorový součet tří směrů) zjištěnéve smyslu EN 62841.		
Hodnota vibračních emisí a_{11} / Kolísavost K	2,16 m/s ² / 1,5 m/s ²	1,69 m/s ² / 1,5 m/s ²

VAROVÁNÍ!

Hladina vibrací a emisí hluku uvedená v tomto informačním listu byla měřena v souladu se standardizovanou zkouškou uvedenou v normě EN 62841 a může být použita ke srovnání jednoho nástroje s jiným. Může být použita k předběžnému posouzení expozice.

Deklarovaná úroveň vibrací a emisí hluku představuje hlavní použití nástroje. Pokud se však nástroj používá pro různé aplikace, s různým příslušenstvím nebo s nedostatečnou údržbou, mohou se vibrace a emise hluku lišit. To může výrazně zvýšit úroveň expozice v průběhu celé pracovní doby.

Odhad úrovně expozice vibracím a hluku by měl také vzít v úvahu dobu, kdy je nástroj vypnutý nebo když běží, ale ve skutečnosti neprovádí úlohu. To může výrazně snížit úroveň expozice v průběhu celé pracovní doby.

Identifikujte dodatečná bezpečnostní opatření k ochraně pracovníka obsluhy před účinky vibrací a/nebo hluku, například: údržba nástroje a příslušenství, udržování rukou v teple, organizace pracovních schémat.

VAROVÁNÍ! Přečtěte si všechny bezpečnostní pokyny, instrukce, popisy a údaje, které obdržíte s přístrojem. Pokud následující pokyny nedodržíte, může to vést k úderu elektrickým proudem, požáru nebo těžkým poraněním.

Všechna varovná upozornění a pokyny do budoucna uschovejte.

BEZPEČNOSTNÍ POKYNY PRO BRUSKY

Nahromaděný brusný prach z broušení povrchových nátěrů, jako jsou polyuretany, lněný olej atd., se může v prachovém sáčku vysavače nebo jinde samovolně zapálit. Abyste riziko požáru snížili, prachový sáček vysavače během broušení vždy často vyprazdňujte (každých 10–15 minut) a nikdy vysavač nenechávejte ležet ani neukládejte, aniž byste předtím zcela nevyprázdnili jeho prachový sáček. Dbejte také pokynů výrobců příslušných nátěrů.

DALŠÍ BEZPEČNOSTNÍ A PRACOVNÍ POKYNY

Noste osobní ochranné pomůcky a vždy ochranné brýle. Nošení osobních ochranných pomůcek jako maska proti prachu, bezpečnostní obuv s protiskluzovou podrážkou, ochranná přilba nebo sluchátka, podle druhu nasazení elektronářadí, snižují riziko poranění.

Prach vznikající při práci s tímto nářadím může být zdraví škodlivý. Proto by neměl přijít do styku s tělem. Používejte při práci vhodnou ochranou masku. Nesmějí se upravovat materiály, které mohou způsobit ohrožení zdraví (např. azbest)

Při zablokování nasazeného nástroje přístroj okamžitě vypněte! Přístroj nezapínejte, pokud je nasazený nástroj zablokovaný; mohl by při tom vzniknout zpětný náraz s vysokým reakčním momentem. Zjistěte příčinu zablokování nasazeného nástroje a odstraňte ji při dodržení bezpečnostních pokynů.

Možnými příčinami mohou být:

- vzpříčení v opracovávaném obrobku

- Opracovávaný materiál se zlomí.

- přetížení elektrického přístroje

Nezasahujte do běžícího stroje.

Nasazený nástroj má ostré hrany a během používání se může zahřát.

VAROVÁNÍ! Nebezpečí pozezání a popálení

- při manipulaci s nasazovanými nástroji

- při odkládání přístroje

Při manipulaci s nasazovanými nástroji používejte ochranné rukavice.

Pokud stroj běží, nesmí být odstraňovány třísky nebo odštěpky.

Při vrtní do zdi, stropu nebo podlahy dávat pozor na elektrické kabely, plynová a vodovodní potrubí.

Obrobek zabezpečte upínacím zařízením. Nezabezpečené obrobky mohou způsobit těžká poranění a poškození.

Před spuštěním jakýchkoliv úprav, čištění a údržby na zařízení vyberte akumulátorový článek.

VAROVÁNÍ! Abyste zabránili nebezpečí požáru způsobeného zkratem, poraněním nebo poškozením výrobku, neponořujte nářadí, výměnnou baterii nebo nabíječku do kapalín a zajistěte, aby do zařízení a akumulátorů nevnikly žádné tekutiny. Korodující nebo vodivé kapaliny, jako je slaná voda, určité chemikálie a bělicí prostředky nebo výrobky, které obsahují bělidlo, mohou způsobit zkrat.

Náhradní akumulátory ani nabíječku neotvírejte, skladujte je v suchu, chraňte před vlhkem.

Akumulátor systému M12 nabíjejte pouze nabíječkou systému M12. Nenabíjejte akumulátory jiných systémů.

OBLAST VYUŽITÍ

Pásovou brusku je možné použít k broušení dřevěných, plastových, kovových, tmelových a lakovaných povrchů.

Tento stroj je vhodný jen pro broušení za sucha.

Nepoužívejte výrobek jiným způsobem, než jaký je uveden pro zamýšlené použití.

ZBYVAJÍCÍ RIZIKA

Ani při řádném používání není možné vyloučit všechna zbývající rizika. Při používání mohou vzniknout níže uvedená rizika, na která by měla obsluha dávat zvlášť pozor:

- Poranění způsobená vibrací. Přístroj držte pouze za určená držadla a omezte čas práce a expozice.
- Zatížení hlukem může vést k poškození sluchu. Noste ochranu sluchu a omezte dobu expozice.
- Poranění očí způsobená částicemi nečistot. Noste vždy ochranné brýle, pevné dlouhé kalhoty, rukavice a pevnou obuv..
- Vdechnutí jedovatých druhů prachu.

UPOZORNĚNÍ NA LITHIUM-IONTOVÉ BATERIE

Použití lithiium-iontových baterií

Déle nepoužívané akumulátory je nutné před použitím znovu nabít.

Teplota přes 50 °C snižuje výkon akumulátoru. Chraňte před dlouhým přehříváním na slunci či u topení.

Kontakty nabíječky a akumulátoru udržujte v čistotě.

Pro optimální životnost je nutné akumulátory po použití plně dobít. K zabezpečení dlouhé životnosti by se akumulátory měly po nabití vyjmout z nabíječky.

Při skladování akumulátoru po dobu delší než 30 dní:

Napájecí sadu skladujte v prostředí s teplotou do 27 °C a chraňte ji před vlhkem.

Skladujte akumulátor při cca 30%-50% nabíjecí kapacitě.

Opakujte nabíjení akumulátoru každých 6 měsíců.

Ochrana proti přetížení u lithiium-iontových baterií

Při přetížení akumulátoru příliš vysokou spotřebou proudu, například při extrémně vysokém kroutícím momentu, začne elektrické nářadí po dobu 5 sekund vibrovat, indikátor dobíjení začne blikat a motor se následně samočinně vypne.

K opětovnému zapnutí uvolněte a následně opět stiskněte tlačítkový vypínač. Při extrémním zatížení dochází k příliš vysokému ohřevu akumulátoru. V tomto případě začnou blikat všechny kontrolky indikátoru dobíjení a blikají tak dlouho, dokud se akumulátor opět neochladí. V okamžiku, kdy indikátor dobíjení přestane blikat, je možné v práci opět pokračovat.

Přeprava lithiium-iontových baterií

Lithiium-iontové baterie spadají podle zákonných ustanovení pod přepravu nebezpečného nákladu.

Přeprava těchto baterií se musí realizovat s dodržováním lokálních, vnitrostátních a mezinárodních předpisů a ustanovení.

Spotřebitelé mohou tyto baterie bez problémů přepravovat po komunikacích.

Komerční přeprava lithiium-iontových baterií prostřednictvím přepravních firem podléhá ustanovením o přepravě nebezpečného nákladu. Přípravu k vyexpedování a samotnou přepravu směřující vykonávat jen příslušně vyškolené osoby. Na celý proces se musí odborně dohlížet.

Při přepravě baterií je třeba dodržovat následující:

Zajistěte, aby kontakty byly chráněné a izolované, aby se zamezilo zkratům.

Dávejte pozor na to, aby se svazek baterií v rámci balení nemohl sesmeknout. Poškozené a vytekající baterie se nesmějí přepravovat. Ohledně dalších informací se obraťte na vaši přepravní firmu.

PRACOVNÍ POKYNY

Úběr materiálu při broušení a finiš povrchu v zásadě závisí na výběru brusného pásu a předvolené rychlosti pásu. Čím vyšší je rychlost pásu, tím větší je úběr materiálu a tím jemnější je broušení povrchu.

Pouze s brusnými pásy v bezvadném stavu se dosáhne dobrého brusného výkonu a bude zajištěna ochrana elektronářadí. Pokud je to možné, pracujte při nízkém kontaktním tlaku, abyste prodloužili životnost brusných pásů. Celková hmotnost elektronářadí je dostačující pro dobrý výkon broušení. Nadměrné zvýšení kontaktního tlaku nepřinese vyšší výkon při broušení, ale bude mít za následek větší opotřebení elektronářadí a brusného pásu.

Přiložte zapnuté elektronářadí na povrch, který chcete opravit. Pracujte při střední rychlosti posunu a provádějte proces broušení paralelně a v překryvu s drahami broušení. Bruste po směru žilkování, broušením příčně k drahám broušení se naruší výsledky broušení.

Zejména při obrušování zbytků nátěru může dojít k jejich roztavení a roznesení materiálu po povrchu a brusném pásu. Proto pracujte s odsáváním prachu.

Brusný pás, se kterým se již brousil kov, by se neměl používat na jiné materiály.

Brusné pásy skladujte pouze pověšené a neohýbejte je, jinak se stanou nepoužitelnými.

Proveďte přednastavení rychlosti pásu

Požadovaná rychlost pásu závisí na materiálu a pracovních podmínkách a lze ji určit pomocí praktických zkoušek.

ČIŠTĚNÍ

Větrací štěrbinu nářadí udržujeme stále čisté.

ÚDRŽBA

Používat výhradně příslušenství Milwaukee a náhradní díly Milwaukee. Díly jejichž výměny nebyla popsána, nechte vyměnit v autorizovaném servisu (viz. Záruky / Seznam servisních míst)

Při potřebě podrobného rozkresu konstrukce, oslovte informaci o typu a čísle přímo servis nebo výrobce, Techtronic Industries GmbH, Max-Eyth-Strasse 10, 71364 Winnenden, Germany.

SYMBOLY



Před spuštěním stroje si pečlivě pročtěte návod k používání.



POZOR! VAROVÁNÍ! NEBEZPEČÍ!



Před zahájením veškerých prací na vrtacím šroubováku vyjmout výměnný akumulátor.



Při práci se strojem neustále nosit ochranné brýle.



Používejte při práci vhodnou ochranou masku.



Směr otáčení



Příslušenství není součástí dodávky, viz program příslušenství.



Elektrická zařízení, baterie/akumulátory se nesmí likvidovat společně s odpadem z domácnosti. Elektrická zařízení, baterie/akumulátory je třeba sbírat odděleně a odevzdat je v recyklačním podniku na ekologickou likvidaci. Na místních úřadech nebo u vašeho specializovaného prodejce se informujte na recyklační podniky a sběrné dvory.



Rychlost brusného pásu, Chod naprázdno



napětí



Stejnoseměrný proud



Značka shody v Evropě



Značka shody v Británii



Značka shody na Ukrajině



Značka shody pro oblast Eurasie

TECHNICKÉ ÚDAJE	M12 FBFL10	M12 FBFL13
Typ	Pásový pilník	Pásový pilník
Výrobné číslo	4919 22 01 XXXXXX MJJJJ	4919 32 01 XXXXXX MJJJJ
Napätie výmenného akumulátora	12 V =	12 V =
Rýchlosť pásu, vysoká rýchlosť	0 - 18,5 m/s	0 - 18,4 m/s
Rýchlosť pásu, nízka rýchlosť	0 - 9,2 m/s	0 - 9,3 m/s
Šírka pásu	10 mm / 3/8"	13 mm / 1/2"
Dĺžka pásu	330 mm / 13"	457 mm / 18"
Hmotnosť podľa vykonávacieho predpisu EPTA 01/2014 (Li-Ion 2,0 Ah ... 6,0 Ah)	1,0 ... 1,2 kg	1,1 ... 1,3 kg
Odporúčaná teplota okolia pre prevádzku	-18 ... +50 °C	-18 ... +50 °C
Odporúčané akupaky	M12B...	M12B...
Odporúčané nabíjačky	C12C; M12-18...; M12C4; M12TC	C12C; M12-18...; M12C4; M12TC
Informácia o hluku Namerané hodnoty určené v súlade s EN 62841. V triede A posudzovaná hladina hluku prístroja číni typicky:		
Hladina akustického tlaku / Kolísavosť K	70 dB (A) / 3 dB (A)	68 dB (A) / 3 dB (A)
Hladina akustického výkonu / Kolísavosť K	81 dB (A) / 3 dB (A)	79 dB (A) / 3 dB (A)
Používajte ochranu sluchu!		
Informácie o vibráciách Celkové hodnoty vibrácií (vektorový súčet troch smerov) zistených zmysle EN 62841.		
Hodnota vibračných emisií a _h / Kolísavosť K	2,16 m/s ² / 1,5 m/s ²	1,69 m/s ² / 1,5 m/s ²

POZOR!

Úroveň vibrácií a emisií hluku uvedená v tomto informačnom liste bola meraná v súlade so štandardizovanou skúškou uvedenou v EN 62841 a môže sa použiť na porovnanie jedného nástroja s druhým. Môže sa použiť v predbežnom posúdení expozície.

Deklarovaná úroveň vibrácií a emisií hluku predstavuje hlavné aplikácie nástroja. Ak sa však nástroj používa pre rôzne aplikácie, s rôznym príslušenstvom alebo s nedostatočnou údržbou, môžu sa vibrácie a emisie hluku líšiť. To môže výrazne zvýšiť úroveň expozície počas celej pracovnej doby.

Odhad úrovne expozície vibráciám a hluku by mal tiež brať do úvahy čas, keď je nástroj vypnutý alebo keď beží, ale v skutočnosti nevykonáva prácu. To môže výrazne znížiť úroveň expozície počas celej pracovnej doby.

Identifikujte dodatočné bezpečnostné opatrenia na ochranu pracovníka obsluhy pred účinkami vibrácií a/alebo hluku, ako je: údržba nástroja a príslušenstva, udržanie teplých rúk, organizácia pracovných schém.

POZOR! Prečítajte si všetky bezpečnostné upozornenia, pokyny, vyobrazenia a údaje, ktoré dostanete spolu s prístrojom. Ak by ste nedodržali nasledujúce pokyny, mohlo by to mať za následok zásah elektrickým prúdom, vznik požiaru a/alebo vážne poranenie.

Tieto Výstražné upozornenia a bezpečnostné pokyny starostlivo uschovajte na budúce použitie.

BEZPEČNOSTNÉ POKYNY PRE BRÚSKY

Nahromadený brúsny prach z brúsenia povrchových náterov, ako sú polyuretány, lanový olej atď., sa môže vo vrecku vysávača na prach alebo inde samovznietiť a spôsobiť požiar. Aby ste znížili riziko požiaru, počas brúsenia vždy často vyprázdňujte vrecko vysávača (10-15 minút) a nikdy neskladujte ani nenechávajte vysávač bez úplného vyprázdnenia vrecka vysávača. Dodržiavajte tiež odporúčania výrobcov náterov.

ĎALŠIE BEZPEČNOSTNÉ A PRACOVNÉ POKYNY

Noste osobné ochranné pomôcky a používajte vždy ochranné okuliare. Nosenie osobných ochranných pomôcok, ako je ochranná dýchacia maska, bezpečnostná pracovná obuv, ochranná prilba alebo chrániče sluchu, podľa druhu ručného elektrického náradia a spôsobu jeho použitia znižujú riziko poranenia.

Prach vznikajúci pri práci môže byť škodlivý zdraviu. Pri práci nosiť vhodnú ochrannú masku, aby sa nedostal do ľudského organizmu. Nesmú sa opracovávať materiály, ktoré môžu spôsobiť ohrozenie zdravia (napr. azbest)

Pri zablokovaní nasadeného nástroja prístroj okamžite vypnite! Prístroj nezapínajte, pokiaľ je nasadený nástroj zablokovaný; mohol by pri tom vzniknúť spätný náraz s vysokým reakčným momentom. Príčinu zablokovania nasadeného nástroja zistíte a odstránite so zohľadnením bezpečnostných pokynov.

Možnými príčinami môžu byť:

- spriečenie v opracovávanom obrobov
- zlomenie sa opracovávaného materiálu
- preťaženie elektrického prístroja

Nezasahujte do bežiacieho stroja.

Nasadený nástroj má ostré hrany a počas používania sa môže zahriať.

VÝSTRAHA! Nebezpečenstvo porezania a popálenia

- pri manipulácii s nasadzovanými nástrojmi

- pri odkladaní prístroja

Pri manipulácii s nasadzovanými nástrojmi používajte ochranné rukavice.

Triesky alebo úlomky sa nesmú odstraňovať za chodu stroja.

Pri práci v stene, strope alebo v podlahe dávajte pozor na elektrické káble, plynové a vodovodné potrubia.

Obrobok zabezpečte upínacím zariadením. Nezabezpečené obroby môžu spôsobiť ťažké poranenia a poškodenia.

Pred spustením akýchkoľvek úprav, čistenia a údržby na prístroj vyberte akumulátorový článok.

POZOR! Aby ste zabránili nebezpečenstvu požiaru spôsobeného skratom, poraneniam alebo poškodeniam výrobku, neponárajte náradie, výmennú batériu alebo nabíjačku do kvapalín a postarajte sa o to, aby do zariadení a akumulátorov nevnikli žiadne tekutiny. Korodujúce alebo vodivé kvapaliny, ako je slaná voda, určité chemikálie a bieliace prostriedky alebo výrobky, ktoré obsahujú bielicid, môžu spôsobiť skrat.

Výmenné akumulátory a nabíjacie zariadenia neotvárať a skladovať len v suchých priestoroch. Chrániť pred vlhkosťou.

Výmenné akumulátory systému M12 nabíjajú len nabíjacími zariadeniami systému M12. Akumulátory iných systémov týmto zariadením nenabíjajú.

POUŽITIE PODĽA PREDPISOV

Pásovú brúsku je možné použiť na brúsenie drevených, plastových, kovových, tmelových a lakovaných povrchov.

Tento prístroj je vhodný len na brúsenie za sucha.

Nepoužívajte výrobok iným spôsobom, než aký je uvedený pre zamýšľané použitie.

ZVÝŠKOVÉ RIZIKÁ

Aj pri riadnom používaní nie je možné vylúčiť všetky zvyškové riziká. Pri používaní môžu vzniknúť nasledovné nebezpečenstvá, na ktoré by mala obsluha dávať zvlášť pozor:

- Poranenia spôsobené vibráciou. Prístroj držte iba za určené držadlá a obmedzte čas práce a expozície.
- Zataženie hlukom môže viesť k poškodeniam sluchu. Noste ochranu sluchu a obmedzte dobu expozície.
- Poranenia očí spôsobené časticami nečistôt. Noste vždy ochranné okuliare, pevné dlhé nohavice, rukavice a pevnú obuv..
- Vdychnutie jedovatých druhov prachu.

UPOZORNENIE NA LÍTIUM-IÓNOVÉ BATÉRIE

Použitie lítium-iónových batérií

Dlhší čas nepoužívané výmenné akumulátory pred použitím dobíť.

Teplota vyššia ako 50°C znižuje výkon výmenného akumulátora. Zabráňte dlhšiemu ohriatiu slnkom alebo kúrením. Prípádne kontakty na nabíjacom zariadení a výmennom akumulátore udržiavať čisté.

Pre optimálnu životnosť je nutné akumulátory po použití plne dobíť. K zabezpečeniu dlhej životnosti by sa akumulátory mali po nabití vybrať z nabíjačky.

Pri skladovaní akumulátora po dobu dlhšiu než 30 dní:

Akumulátor skladujte pri teplote nižšej ako 27 °C a mimo dosahu vlhkosti

Skladujte akumulátor pri cca 30%-50% nabíjacej kapacite.

Opakujte nabíjanie akumulátora každých 6 mesiacov.

Ochrana proti preťaženiu pri lítium-iónových batériách

Pri preťažení akumulátora príliš vysokou spotrebou prúdu, napríklad pri extrémne vysokom krútiacom momente, začne elektrické náradie po dobu 5 sekúnd vibrovať, indikátor dobíjania začne blikať a motor sa následne samočinne vypne.

K opätovnému zapnutiu uvoľníte a následne opäť stlačíte tlačidlový vypínač. Pri extrémnom zaťažení dochádza k príliš vysokému ohrevu akumulátora. V tomto prípade začnú blikať všetky kontrolky indikátora dobíjania a blikať tak dlho, dokiaľ sa akumulátor opäť neochladí. V okamihu, keď indikátor dobíjania prestane blikať, je možné v práci opäť pokračovať.

Preprava lítiovo-iónových batérií

Lítiovo-iónové batérie podľa zákonných ustanovení spadajú pod prepravu nebezpečného nákladu.

Preprava týchto batérií sa musí realizovať s dodržiavaním lokálnych, vnútroštátnych a medzinárodných predpisov a ustanovení.

Spotrebiteľia môžu tieto batérie bez problémov prepravovať po cestách.

Komerčná preprava lítiovo-iónových batérií prostredníctvom špedičných firiem podlieha ustanoveniam o preprave nebezpečného nákladu. Prípravu k vyexpedovaniu a samotnú prepravu smú vykonávať iba adekvátne vyškolené osoby. Na celý proces sa musí odborné dohliadať.

Pri preprave batérií treba dodržiavať nasledovné:

Zabezpečte, aby boli kontakty chránené a izolované, aby sa zamedzilo skratom.

Dávajte pozor na to, aby sa zväzok batérií v rámci balenia nemohol zošmyknúť. Poškodené a vytečené batérie sa nesmú prepravovať. Kvôli ďalším informáciám sa obráťte na vašu špedičnú firmu.

NAPOTKI ZA DELO

Rýchlosť úberu materiálu pri brúsení a povrchovej úprave sú v podstate určené výberom brúsneho pásu a predvolenou rýchlosťou pásu. Čím vyššia je rýchlosť pásu, tým vyšší je úber materiálu a tým jemší je brúsny povrch.

Iba bezchybné brúsne pásy poskytujú dobrý brúsny výkon a chránia elektrické náradie. Ak je to možné, pracujte s nízkym prítlakom, aby ste zvýšili životnosť brúsnych pásov. Vlastná hmotnosť elektrického náradia je dostatočná pre dobrý brúsny výkon. Nadmerné zvýšenie prítlaku nemá za následok vyšší brúsny výkon, ale väčšie opotrebovanie elektrického náradia a brúsneho pásu.

Položte zapnuté elektrické náradie na povrch, ktorý sa má obrábať. Pracujte s miernym posuvom a brúsny proces vykonávajte paralelne a prekrývajúci sa s dráhami brúsenia. Brúste v smere zrna, paralelne brúsne stopy majú za následok rušivé brúsne efekty.

Najmä pri odbrusovaní zvyškov náteru sa tieto môžu roztopiť a zašpiníť povrch materiálu a brúsneho pásu. Pracujte preto s odsávaním prachu.

Brúsny pás, ktorým už bol opracovaný kov, by sa nemal používať na iné materiály.

Brúsne pásy skladujte len v zavesenej polohe a neohýbajte ich, inak sa stanú nepoužiteľnými.

Predvolenie rýchlosti pásu

Požadovaná rýchlosť pásu závisí od materiálu a pracovných podmienok a dá sa určiť pomocou praktických testov.

ČISTENIE

Vetracie otvory udržiavať stále v čistote.

ÚDRŽBA

Používať len Milwaukee príslušenstvo a Milwaukee náhradné diely. Súčasti bez návodu na výmenu treba dať vymeniť v jednom z Milwaukee zákaznických centier (viď brožúru Záruka/Adresy zákaznických centier).

Pri udaní typu stroja a čísla nachádzajúceho sa na štítku dá sa v prípade potreby vyžiadať explozívna schéma prístroja od vášho zákaznického centra alebo priamo v Techtronic Industries GmbH, Max-Eyth-Straße 10, 71364 Winnenden, Germany.

SYMBOLY

	Pred prvým použitím prístroja si pozorne prečítajte návod na obsluhu.
	POZOR! NEBEZPEČENSTVO!
	Pred každou prácou na stroji výmenný akumulátor vytiahnuť.
	Pri práci so strojom vždy noste ochranné okuliare.
	Pri práci nosiť vhodnú ochrannú masku, aby sa nedostal do ľudského organizmu.
	Smer otáčania
	Príslušenstvo - nie je súčasťou štandardnej výbavy, odporúčané doplnenie z programu príslušenstva.
	Elektrické zariadenia, batérie/akumulátory sa nesmú likvidovať spolu s odpadom z domácností. Elektrické zariadenia, batérie/akumulátory treba zbierať oddelene a odovzdať ich v recyklačnom podniku na ekologickú likvidáciu. Na miestnych úradoch alebo u vášho špecializovaného predajcu sa spýtajte na recyklačné podniky a zberné dvory.
n_0	Rýchlosť pásu, chod naprázdno
V	Napätie
	Jednosmerný prúd
	Značka zhody v Európe
	Značka zhody v Británii
	Značka zhody na Ukrajine
	Značka zhody pre oblasť Eurázie

DANE TECHNICZNE	M12 FBFL10	M12 FBFL13
Typ	Taśma szlifujaca	Taśma szlifujaca
Numer produkcyjny	4919 22 01 XXXXXX MJJJJ	4919 32 01 XXXXXX MJJJJ
Napiecie baterii akumulatorowej	12 V =	12 V =
Predkość taśmy, wysoka predkość	0 - 18,5 m/s	0 - 18,4 m/s
Predkość taśmy, niska predkość	0 - 9,2 m/s	0 - 9,3 m/s
Szeroka taśma	10 mm / 3/8"	13 mm / 1/2"
Długość taśmy	330 mm / 13"	457 mm / 18"
Cieźzar wg procedury EPTA 01/2014 (Li-Ion 2,0 Ah ... 6,0 Ah)	1,0 ... 1,2 kg	1,1 ... 1,3 kg
Zalecana temperatura otoczenia w trakcie eksploatacji	-18 ... +50 °C	-18 ... +50 °C
Zalecane zestawy akumulatorowe	M12B...	M12B...
Zalecane ładowarki	C12C; M12-18...; M12C4; M12TC	C12C; M12-18...; M12C4; M12TC
Informacja dotyczaca szumw Zmierzone wartości wyznaczono zgodnie z normą EN 62841. Poziom szumw urzadzenia oszacowany jako A wynosi typowo:		
Poziom cinienia akustycznego / Niepewność K	70 dB (A) / 3 dB (A)	68 dB (A) / 3 dB (A)
Poziom mocy akustycznej / Niepewność K	81 dB (A) / 3 dB (A)	79 dB (A) / 3 dB (A)
Należy uzywać ochroniaczy uszu!		
Informacje dotyczace wibracji Wartości łączne drgań (suma wektorowa trzech kierunkw) wyznaczone zgodnie z normą EN 62841.		
Wartość emisji drgań $a_{h,1}$ / Niepewność K	2,16 m/s ² / 1,5 m/s ²	1,69 m/s ² / 1,5 m/s ²

OSTRZEŻENIE!

Poziom drgań i emisji hałasu podany w niniejszej instrukcji zmierzono zgodnie ze standardową metodą badania wg EN 62841 i moźna ją wykorzystac do porownania narzadzia z innym narzadziem. Moźna go wykorzystac przy wstepnej ocenie naraźenia.

Deklarowany poziom emisji drgań i hałasu reprezentuje głowne zastosowania narzadzia. Jeźli jednak narzadzie jest uzywane do roznych zastosowań, z roznymi akcesoriami lub w przypadku nieprawidłowej konserwacji, emisja drgań i hałasu moźe sie roznic. Moźe to znacznie zwiekszyc poziom naraźenia w całym okresie eksploatacji narzadzia.

Oszacowanie poziomu naraźenia na wibracje i hałasu powinno rownieź uwzgledniac czasy, kiedy narzadzie jest wyłaczane lub kiedy jest właczane, ale nie pracuje. Moźe to znacznie obniźyc poziom ekspozycji w całym okresie eksploatacji narzadzia.

Należy zidentyfikowac dodatkowe środki bezpieczeñstwa w celu ochrony operatora przed skutkami wibracji i/lub hałasu, takie jak: utrzymywanie narzadzia i akcesoriw w nienagannym stanie, utrzymywanie ciepła rak, organizacja pracy.

OSTRZEŻENIE! Przeczytac wszystkie wskazowki bezpieczeñstwa, instrukcje, ilustracje i dane dołaczone do urzadzenia. Jeźli nie bedą przestrzegane nastepujace przepisy, moźe dojsc do poraźenia pradem, poźaru i/lub ciezkich obrażeń ciała.

Należy starannie przechowywac wszystkie przepisy i wskazowki bezpieczeñstwa dla dalszego zastosowania.

INSTRUKCJE BEZPIECZEÑSTWA DOTYCZACE SZLIFIEREK

Pył zbrany podczas szlifowania powłok, takich jak poliuretany, olej lniany itp. moźe ulec samozapłonowi w worku odkurzacza lub poza nim i spowodowac poźar. W celu zmniejszenia ryzyka poźaru, należy oproźniac worek odkurzacza podczas szlifowania (co 10-15 minut) – nie należy pozostawiac ani przechowywac odkurzacza bez uprzedniego oproźnienia worka. Ponadto należy przestrzegac zaleceń producentw powłok.

DODATKOWE WSKAZOWKI BEZPIECZEÑSTWA I INSTRUKCJE ROBOCZE

Należy nosic osobiste wyposaźenie ochronne i zawsze okulary ochronne. Noszenie osobistego wyposaźenia ochronnego – maski przeciwpyłowej, nieślizgających sie butw roboczych, kasku ochronnego lub srodkw ochrony słuchu (w zaleźności od rodzaju i zastosowania elektronarzadzia) – zmniejsza ryzyko obrażeń ciała.

Kurz powstajacy przy pracy z tym elektronarzadziem moźe byc szkodliwy dla zdrowia, w zwiazku z tym nie powinien dotrzec do ciała. Nosic odpowiednią maske przeciwpyłową. Nie wolno obrabiac materiałw, które mogą byc przyczyną zagraźenia zdrowia (na przykład azbestu).

W przypadku zablokowania narzadzia nasazanego należy natychmiast wyłaczc urzadzenie! Nie należy ponownie właczac urzadzenia tak długo, jak długo narzadzie nasadzone jest

zablokowane; przy tym mogłby powstac odrzut zwrotny o duźym momencie reakcyjnym. Należy wykryc i usunac przyczyne zablokowania narzadzia nasazanego uwzgledniajac wskazowki dotyczace bezpieczeñstwa.

Moźliwymi przyczynami tego mogą byc:

- Skośne ustawienie sie w poddawany obrobce przedmiocie obrabianym
- Przelamanie obrabianego materiału
- Przeciazenie narzadzia elektrycznego

Nie należy siegac do wnetrza maszyny bedacej w ruchu. Narzadzie robocze ma ostre krawedzie i moźe sie nagrzewac podczas pracy.

OSTRZEŻENIE! Niebezpieczeñstwo skaleceń i oparzeń

- w trakcie obsługi narzadzi roboczych

- przy odstawianiu urzadzenia

Podczas pracy z wykorzystaniem narzadzi roboczych należy nosic rekawice ochronne.

Podczas pracy elektronarzadzia nie wolno usuwac trocin ani drzazg. Podczas pracy przy scianach, sufitach i podłozce należy uwaźac na kable elektryczne, przewody gazowe i wodociagowe.

Należy zabezpieczyc przedmiot poddawany obrobce za pomocą urzadzenia mocującego. Niezabezpieczone przedmioty poddawane obrobce mogą spowodowac ciezkie obrażenia ciała i uszkodzenia.

Przed rozpoczeciem jakichkolwiek regulacji, czyszczenia i konserwacji urzadzenia należy wyjac akumulator.

OSTRZEŻENIE! Aby uniknac niebezpieczeñstwa poźaru, obrażeń lub uszkodzeń produktu na skutek zwarcia, nie wolno zanurzac narzadzia, akumulatora wymiennego ani ładowarki w cieczach i należy zatroszczyc sie o to, aby do urzadzeń i akumulatorw nie dostały sie żadne cieczy. Zwarcie spowodowac mogą korodujace

lub przewodzące ciecze, takie jak woda morska, określone chemikalia i wybielacze lub produkty zawierające wybielacze.

Nie otwierać wkładek akumulatorowych i ładowarek. Przechowywać w suchych pomieszczeniach. Chronić przed wilgocią.

Akumulatory Systemu M12 należy ładować wyłącznie przy pomocy ładowarek Systemu M12. Nie ładować przy pomocy tych ładowarek akumulatorów innych systemów.

WARUNKI UŻYTKOWANIA

Szlifierka taśmowa może być używana do szlifowania drewna, tworzyw sztucznych, metalu, szpachli i powierzchni lakierowanych. Elektronarzędzie przeznaczone jest wyłącznie do szlifowania na sucho.

Nie należy używać produktu w inny sposób niż zgodny z jego przeznaczeniem.

ZAGROŻENIA RESZTKOWE

Nawet przy prawidłowym użytkowaniu nie można wykluczyć wszystkich ryzyk rezydualnych. W trakcie użytkowania mogą powstawać poniższe zagrożenia, nawet w przypadku zachowania przez operatora najwyższej troski:

- Obrażenia spowodowane przez wibracje. Urządzenie należy trzymać za przeznaczony w tym celu uchwyt i ograniczać czas pracy i czas ekspozycji.
- Uciążliwość akustyczna może prowadzić do uszkodzeń słuchu. Należy mieć na sobie okulary ochronne i ograniczać czas trwania ekspozycji.
- Obrażenia oczu spowodowane przez cząstki brudu. Należy zawsze mieć na sobie okulary ochronne, solidne długie spodnie, rękawice i solidne buty robocze.
- Wdychanie toksycznego pyłu.

WSKAZÓWKI DLA AKUMULATORÓW LITOWO-JONOWYCH

Użytkowanie akumulatorów litowo-jonowych

Akumulatory, które nie były przez dłuższy czas użytkowane, należy przed użyciem naładować.

W temperaturze powyżej 50°C następuje spadek osiągniętych wkładki akumulatorowej. Unikać długotrwałego wystawienia na oddziaływanie ciepła lub promieni słonecznych (niebezpieczeństwo przegrzania). Styki ładowarek i wkładek akumulatorowych należy utrzymywać w czystości

Dla zapewnienia optymalnej żywotności akumulatory po użyciu należy naładować do pełnej pojemności.

Dla zapewnienia możliwie długiej żywotności akumulatory należy wyjąć z ładowarki po ich naładowaniu.

W przypadku składowania akumulatorów dłużej aniżeli 30 dni: Akumulator przechowywać w temperaturze nieprzekraczającej 27°C i z dala od wilgoci.

Przechowywać je w stanie naładowanym do ok. 30% - 50%. Ładować je ponownie co 6 miesięcy.

Ochrona przeciwprzeciążeniowa w akumulatorach litowo-jonowych

W przypadku przeciążenia akumulatora przez bardzo duży pobór prądu, na przykład wskutek ekstremalnie dużych momentów obrotowych, narzędzie ręczne z napędem elektrycznym wibruje przez 5 sekund, miga wskaźnik ładowania i narzędzie samoczynnie wyłącza się.

W celu ponownego włączenia narzędzia należy zwolnić przycisk przełączający, a następnie ponownie go włączyć. Przy ekstremalnych obciążeniach akumulator nagrzewa się za mocno. W takim przypadku wszystkie lampki wskaźnika ładowania migają tak długo, aż akumulator ochłodzi się. Po zgaśnięciu wskaźnika ładowania można kontynuować pracę.

Transport akumulatorów litowo-jonowych

Akumulatory litowo-jonowe podlegają ustawowym przepisom dotyczącym transportu towarów niebezpiecznych.

Transport tych akumulatorów winien odbywać się przy przestrzeganiu lokalnych, krajowych i międzynarodowych rozporządzeń i przepisów.

Odbiorcom nie wolno transportować tych akumulatorów po drogach ot tak po prostu.

Komercyjny transport akumulatorów litowo-jonowych przez przedsiębiorstwa spedycyjne podlega przepisom dotyczącym transportu towarów niebezpiecznych. Przygotowania do wysyłki oraz transport mogą być wykonywane wyłącznie przez odpowiednio przeszkolone osoby. Cały proces winien odbywać się pod fachowym nadzorem.

W czasie transportu akumulatorów należy przestrzegać następujących punktów:

Celem uniknięcia zwarcia należy upewnić się, że zestyki są zabezpieczone i zaizolowane.

Zwracać uwagę na to, aby zespół akumulatorów nie mógł się przemieszczać we wnętrzu opakowania. Nie wolno transportować akumulatorów uszkodzonych lub z wyciekającym z elektrolitem. Odnośnie dalszych wskazówek należy zwrócić się do swojego przedsiębiorstwa spedycyjnego.

WSKAZÓWKI DOTYCZĄCE UŻYTKOWANIA

Szybkość usuwania materiału podczas szlifowania oraz gładkość powierzchni po szlifowaniu zależy od stosowanego typu taśmy ścierniej i ustawionej szybkości urządzenia. Im wyższa prędkość taśmy, tym szybciej usuwany jest materiał i tym gładsza będzie szlifowana powierzchnia.

Aby zapewnić właściwą wydajność i parametry pracy elektronarzędzia, nie należy używać uszkodzonych taśm ściernych. Aby przedłużyć trwałość taśmy ścierniej, podczas szlifowania należy wywierać możliwie jak najmniejszy nacisk. Ciężar elektronarzędzia jest wystarczający, aby uzyskać dobrą wydajność szlifowania. Nadmierny nacisk nie powoduje poprawy wydajności szlifowania, ale skutkuje szybszym zużyciem elektronarzędzia i taśmy ścierniej.

Przyłożyć włączone elektronarzędzie do obrabianej powierzchni. Podczas szlifowania należy przesuwac urządzenie z umiarkowaną prędkością wzdłuż powierzchni i tak, aby ścieżki nachodziły na siebie. Szlifować zgodnie z kierunkiem włókien – przesuwanie narzędzia w poprzek pogarsza efekt szlifowania.

Pozostałości lakieru mogą topić się podczas szlifowania, zanieczyszczając powierzchnię materiału oraz taśmę ścierną. Z tego względu należy korzystać z urządzenia do odprowadzania pyłu.

Taśma używana wcześniej do szlifowania metalu nie nadaje się do obróbki innych materiałów.

Taśmy ściernie należy przechowywać wyłącznie w pozycji wiszącej, nie zginać ich, w przeciwnym razie staną się bezużyteczne.

Wybór prędkości taśmy

Wymagana prędkość taśmy zależy od typu materiału oraz warunków pracy i można ją określić wykonując szlifowanie próbne.

CZYSZCZENIE










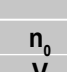





Otwory wentylacyjne elektronarzędzia muszą być zawsze drożne.

UTRZYMANIE I KONSERWACJA

Używać tylko i wyłącznie wyposażenia dodatkowego Milwaukee i części zamiennych Milwaukee. Gdyby trzeba było wymienić części, które nie zostały opisane, należy skontaktować się z przedstawicielem serwisu Milwaukee (patrz wykaz adresów punktów usługowych/gwarancyjnych).

Na życzenie można otrzymać rysunek widoku zespołu rozebranego. Przy zamawianiu należy podać numer oraz typ elektronarzędzia umieszczony na tabliczce znamionowej. Zamówienia można dokonać albo u lokalnych przedstawicieli serwisu, albo bezpośrednio w Techtronic Industries GmbH, Max-Eyth-Straße 10, 71364 Winnenden, Germany.

SYMBOLY

	Przed uruchomieniem elektronarzędzia zapoznać się uważnie z treścią instrukcji.
	UWAGA! OSTRZEŻENIE NIEBEZPIECZEŃSTWO!
	Przed przystąpieniem do jakichkolwiek prac na elektronarzędziu należy wyjąć wkładkę akumulatorową.
	Podczas pracy należy zawsze nosić okulary ochronne.
	Nosić odpowiednią maskę przeciwpyłową.
	Kierunek obrotów
	Wyposażenie dodatkowe dostępne osobno.
	Urządzenia elektryczne, baterie/akumulatory nie mogą być usuwane razem z odpadami pochodzącymi z gospodarstw domowych. Urządzenia elektryczne i akumulatory należy gromadzić oddzielnie i w celu usuwania ich do odpadów zgodnie z wymaganiami środowiska naturalnego oddawać do przedsiębiorstwa utylizacyjnego. Proszę zasięgnąć informacji o centrach recyklingowych i punktach zbiorczych u władz lokalnych lub u wyspecjalizowanego dostawcy.
	Prędkość taśmy, bez obciążenia
	Napięcie
	Prąd stały
	Europejski Certyfikat Zgodności
	Brytyjski Certyfikat Zgodności
	Ukraiński Certyfikat Zgodności
	Euroazjatycki Certyfikat Zgodności

MŰSZAKI ADATOK	M12 FBFL10	M12 FBFL13
Felépítés	Szalagcsiszoló	Szalagcsiszoló
Gyártási szám	4919 22 01 XXXXXX MJJJJ	4919 32 01 XXXXXX MJJJJ
Akkumulátor feszültség	12 V =	12 V =
Szalagsebesség, nagy sebesség	0 - 18,5 m/s	0 - 18,4 m/s
Szalagsebesség, alacsony sebesség	0 - 9,2 m/s	0 - 9,3 m/s
Széles szalag	10 mm / 3/8"	13 mm / 1/2"
Szalag hosszúság	330 mm / 13"	457 mm / 18"
Súly a 01/2014 EPTA-eljárás szerint (Li-Ion 2,0 Ah ... 6,0 Ah)	1,0 ... 1,2 kg	1,1 ... 1,3 kg
Üzemeléshez ajánlott környezeti hőmérséklet	-18 ... +50 °C	-18 ... +50 °C
Ajánlott akkusomagok	M12B...	M12B...
Ajánlott töltőkészülékek	C12C; M12-18...; M12C4; M12TC	C12C; M12-18...; M12C4; M12TC
Zajinformáció A közölt értékek megfelelnek az EN 62841 szabványnak. A készülék munkahelyi zajszintje tipikusan:		
Hangnyomás szint / K bizonytalanság	70 dB (A) / 3 dB (A)	68 dB (A) / 3 dB (A)
Hangteljesítmény szint / K bizonytalanság	81 dB (A) / 3 dB (A)	79 dB (A) / 3 dB (A)
Hallásvédő eszköz használata ajánlott!		
Vibráció-információk Összesített rezgésértékek (három irány vektorális összege az EN 62841-nek megfelelően meghatározva.)		
rezgésemisszió érték a _w / K bizonytalanság	2,16 m/s ² / 1,5 m/s ²	1,69 m/s ² / 1,5 m/s ²

FIGYELMEZTETÉS!

Az adatlapon feltüntetett rezgés- és zajkibocsátási szint mérésére az EN 62841 szabványos vizsgálati módszere alapján került sor, és a kapott értékek az egyes szerszámok összehasonlítására használhatók. Az értékek az expozíció előzetes értékelésében használhatók.

A feltüntetett rezgés- és zajkibocsátási szint a szerszám főbb alkalmazásait tükrözi. Mindazonáltal, ha a szerszámot különböző alkalmazásokra, eltérő tartozékokkal használják, illetve a szerszám nincs megfelelően karbantartva, a rezgés- és zajkibocsátási szint eltérő lehet. Ez jelentősen növelheti az expozíciós szintet a teljes munkafolyamat során.

A rezgésnek és zajnak való expozíció becslőt szintjét is figyelembe kell venni a szerszám kikapcsolásakor, illetve olyankor, ha a szerszám üzemel, de valójában nem történik vele munkavégzés. Ez jelentősen csökkentheti az expozíciós szintet a teljes munkafolyamat során.

Határozzon meg további biztonsági intézkedéseket, hogy védje a kezelőt a rezgés- és/vagy zajhatásoktól. Ilyen intézkedések pl.: a szerszámok és tartozékok karbantartása, a kéz melegen tartása, munkarend-szervezés.

FIGYELMEZTETÉS! Olvasson el minden, a géppel együtt megkapott biztonsági utalást, utasítást, ábrázolást és adatot.

Ha nem tartja be a következő előírásokat, akkor ez áramütéshez, tűzhez és/vagy súlyos személyi sérülésekhez vezethet.

Kérjük a későbbi használatra gondosan őrizze meg ezeket az előírásokat.

CSISZOLÓGÉPEKRE VONATKOZÓ BIZTONSÁGI UTASÍTÁSOK

A csiszolófelületek – poliuretán, lenolaj stb. – bevonatainak csiszolásából származó csiszolópor felgyülemzése öngyulladás idézhet elő a porszívó porzsákjában vagy máshol, így tüzet okozhat. A tűzveszély csökkentése érdekében a csiszolás során mindig gyakran (10-15 percenként) ürítse ki a porszívó porzsákját, és soha ne tárolja vagy ne hagyja magára a porszívót a porzsákjának teljes kiürítése nélkül. Tartsa be a bevonat gyártóinak ajánlásait is.

TOVÁBBI BIZTONSÁGI ÉS MUNKAÉVÉZÉSI UTASÍTÁSOK

Viseljen személyi védőfelszerelést és mindig viseljen védőszemüveget. A személyi védőfelszerelések, mint porvédő álc, csúszásbiztos védőcipő, védősapka és fülvédő használata az elektromos kéziszerszám használata jellegének megfelelően csökkenti a személyes sérülések kockázatát.

A munka során keletkező por gyakran egészségre káros, ezért ne kerüljön a szervezetbe. Hordjon e célra alkalmas porvédőmaszkot. Nem szabad olyan anyagokat megmunkálni, amelyek egészségre veszélyesek (pl. azbesztet).

A betétszerszám elakadásakor azonnal ki kell kapcsolni a készüléket! Addig ne kapcsolja vissza a készüléket, amíg a betétszerszám elakadása fennáll; ennek során nagy ellennyomatékú visszarúgás történhet. Határozza és szüntesse meg a betétszerszám elakadásának okát a biztonsági útmutatások betartása mellett.

Ennek következők lehetnek az okai:

- a szerszám elakad a megmunkálandó munkadarabban
- A megmunkálandó anyag átszakadt
- az elektromos szerszám túlterhelése

Ne nyúljon a járó géphez.

A betétszerszám éles szélű, és az alkalmazás során felforrósodhat.

FIGYELMEZTETÉS! Vágási és égési sérülések veszélye

- a betétszerszámok kezelései
- a készülék lerakásakor

A betétszerszámok kezelései védőkesztyűt kell használni.

A munka közben keletkezett forgácsokat, szilánkokat, törmelékét, stb. csak a készülék teljes leállása után szabad a munkaterületről eltávolítani.

Falban, fődémbe, aljzatban történő fúrásnál fokozottan ügyelni kell az elektromos-, víz- és gázvezetésekre.

Biztosítsa a munkadarabot befogó szerkezettel. A nem biztosított munkadarabok súlyos sérüléseket és károkat okozhatnak.

Az eszközön végzett mindennemű beállítás, tisztítás és karbantartás megkezdése előtt vegye ki az akkumulátort.

FIGYELMEZTETÉS! A rövidzárlat általi tűz, sérülések vagy termékkárosodások veszélye elkerülésére ne merítse a szerszámot, a cserélhető akkut vagy a töltőkészüléket folyadékba, és gondoskodjon arról, hogy ne hatoljanak folyadékok a készülékekbe és az akkuba. A korrozív hatású vagy vezetőképes folyadékok, mint pl. a sós víz, bizonyos vegyi anyagok, fémhírtők vagy fehérítő tartalmú termékek, rövidzárlatot okozhatnak.

Az akkumulátort, töltőt nem szabad megbotítani és kizárólag száraz helyen szabad tárolni. Nedvességtől óvni kell.

Az M12 elnevezésű rendszerhez tartozó akkumulátorokat kizárólag a rendszerhez tartozó töltővel tölts fel. Ne használjon más rendszerbe tartozó töltőt.

RENDELTESSZERŰ HASZNÁLAT

A szalagos csiszológép fa, műanyag, fém, gittelt és festett felület csiszolására használható.

A készülék kizárólag szárazcsiszolóhoz használható!

A terméket csak rendeltésszerűen használja.

FENNMARADÓ VESZÉLYEK

Szabályos használat esetén sem lehet minden fennmaradó kockázatot kizárni. A használat során a következő veszélyek keletkezhetnek, amelyekre a kezelőnek különösen figyelnie kell:

- Vibráció okozta sérülések. A készüléket az e célra szolgáló markolatoknál fogja meg és korlátozza a munka- és expozíciós időt.
- A zajterhelés halláskárosodást okozhat. Viseljen hallásvédőt és korlátozza az expozíciós időt.
- Szennyrészecskék által okozott szemsérülések. Viseljen mindig védőszemüveget, erős hosszú nadrágot, kesztyűt és ellenálló lábbelit.
- Mérgező porok belélegzése

LI-ION AKKUKRA VONATKOZÓ ÚTMUTATÁSOK

Li-ion akku használata

A hosszabb ideig üzemben kívánta akkumulátort használat előtt ismételtelen fel kell tölteni.

50°C feletti hőmérsékletnél csökkenthet az akkumulátor teljesítménye. Kerülni kell a túlzottan meleg helyen vagy napon történő hosszabb idejű tárolást.

A töltő és az akkumulátor csatlakozóit mindig tisztán kell tartani.

Az optimális élettartam érdekében használat után az akkukat teljesen fel kell tölteni.

A lehetőleg hosszú élettartamhoz az akkukat feltöltés után ki kell venni a töltőkészülékből.

Az akku 30 napot meghaladó tárolása esetén:

Az akkumulátort 27 °C-os hőmérséklet alatti és nedvességtől védett helyen tárolja.

Az akkut kb. 30-50%-os töltöttségi állapotban kell tárolni.

Az akkut 6 havonta újra fel kell tölteni.

Akku-túlterhelés elleni védelem Li-ion akkuknál

Az akku nagyon nagy áramfelhasználása következtében fellépő túlterhelése esetén - pl. rendkívül magas forgatónyomatékok, a fűrészeszűrő, a hirtelen leállítás vagy rövidzárlat miatt – az elektromos szerszám 5 másodpercen keresztül vibrál, a töltéskijelző villog és az elektromos szerszám magától kikapcsol.

Az újbóli bekapcsoláshoz engedje el a nyomókapcsolót, majd kapcsolja be ismét. Rendkívüli terheléseknél az akku túlságosan felmelegszik. Ebben az esetben a töltéskijelző minden lámpája addig villog, amíg az akku le nem hűl. Ha a töltéskijelző kialszik, utána tovább lehet dolgozni.

Lítium-ion akku szállítása

A lítium-ion akku a veszélyes áruk szállítására vonatkozó törvényi rendelkezések hatálya alá tartoznak.

Az ilyen akku szállításának a helyi, országos és nemzetközi előírások és rendelkezések betartása mellett kell történnie.

A fogyasztók minden további nélkül szállíthatják az ilyen akkukat közúton.

A lítium-ion akku szállítmányozási vállalatok általi kereskedelmi célú szállítása a veszélyes áruk szállítására vonatkozó rendelkezések érvényesek. A kiszállítás előkészítését és a szállítást kizárólag megfelelő képzettségű személyek végezhetik. A teljes folyamatnak szakmai felügyelet alatt kell történnie.

A következő pontokat kell figyelembe venni akku szállításakor:

Biztosítsa, hogy a rövidzárlatok elkerülése érdekében az érintkezők védve és szigetelve legyenek.

Ügyeljen arra, hogy az akkusomag ne tudjon elcsúszni a csomagoláson belül. Tilos sérült vagy kifolyt akkukat szállítani. További útmutatásokért forduljon szállítványozási vállalatához.

A HASZNÁLATRA VONATKOZÓ ÚTMUTATÁSOK

A csiszolás során az anyag eltávolításának sebességét és a felületi finomságot a csiszolószalag megválasztása és az előzetesen kiválasztott szalagsebesség határozza meg. Minél nagyobb a szalagsebesség, annál több anyag kerül eltávolításra és annál finomabb lesz a csiszolt felület.

Csak ép csiszolószalagok nyújtanak jó csiszolási teljesítményt és védik a villamos szerszámot. A csiszolószalagok élettartamának növelése érdekében lehetőség szerint kis érintkezési nyomással dolgozzon. A villamos szerszám súlya elegendő a jó csiszolási teljesítményhez. Az érintkezési nyomás túlzott növelése nem eredményez jobb csiszolási teljesítményt, azonban a villamos szerszám és a csiszolószalag nagyobb kopásához vezet.

A villamos szerszámot bekapcsolt állapotban helyezze a megmunkálandó felületre. Közepes mozgatási sebességgel dolgozzon, és a csiszolási műveletet párhuzamos és egymást átfedő csiszolási sávokkal végezze. Szálirányban csiszoljon! A keresztbe csiszolás zavaró csiszolási hatásokat eredményez.

Különösen festékmaradványok lecsiszolása során ezek megolvadhatnak és szétkenődhetnek az anyagfelületen és a csiszolószalagon. Ezért porleszívással dolgozzon.

Más anyagokhoz ne használjon olyan csiszolószalagot, amelyel már fémét csiszoltak.

A csiszolószalagokat csak függeszteve tárolja, és ne hajtja meg azokat, mert használhatatlanná válhatnak.

Előzetesen állítsa be a szalag sebességét

A szükséges szalagsebesség függ az anyagtól és a munkakörülményektől, és gyakorlati próbák alapján határozható meg.

TISZTÍTÁS

A készülék szellőzőnyílásait mindig tisztán kell tartani.

KARBANTARTÁS

Csak Milwaukee tartozékokat és Milwaukee pótalkatrészeket szabad használni. Az olyan elemeket, melyek cseréje nincs ismertetve, cseréltesse ki Milwaukee szervizzel (lásd Garancia/Ugyfélszolgálat címet kiadványt).

Szükség esetén a készülékek robbantott ábráját - a készülék típusa és azonosító száma alapján a területileg illetékes TTI márkaszervizről vagy közvetlenül a gyártótól (Techtronic Industries GmbH, Max-Eyth-Straße 10, 71364 Winnenden, Germany) lehet kérni.

	Kérjük alaposan olvassa el a tájékoztatót mielőtt a gépet használja.
	FIGYELEM! FIGYELMEZTETÉS! VESZÉLY!
	Karbantartás, javítás, tisztítás, stb. előtt az akkumulátort ki kell venni a készülékből.
	Munkavégzés közben ajánlatos védőszemüveget viselni.
	Hordjon e célra alkalmas porvédőmaszkot.
	Forgásirány
	Azokat a tartozékokat, amelyek gyárilag nincsenek a készülékhez mellékelve, külön lehet megrendelni.
	Az elektromos eszközöket, elemeket/akkukat nem szabad a háztartási hulladékkal együtt ártalmatlanítani. Az elektromos eszközöket és akkukat szelektíven kell gyűjteni, és azokat környezetbarát ártalmatlanítás céljából hulladékhasznosító üzemben kell leadni. A helyi hatóságoknál vagy szakkereskedőjénél tájékozódjon a hulladékudvarokról és gyűjtőhelyekről.
n_0	Szalagsebesség, üresjárat
V	Feszültség
	Egyenáram
	Európai megfelelőségi jelölés
	Egyesült királyságbeli megfelelőségi jelölés
	Ukrán megfelelőségi jelölés
	Eurázsiai megfelelőségi jelölés

TEHNIČNI PODATKI	M12 FBFL10	M12 FBFL13
Model	Tračna pila	Tračna pila
Proizvodna številka	4919 22 01 XXXXXX MJJJJ	4919 32 01 XXXXXX MJJJJ
Napetost izmenljivega akumulatorja	12 V =	12 V =
Hitrost traku, visoka hitrost	0 - 18,5 m/s	0 - 18,4 m/s
Hitrost traku, nizka hitrost	0 - 9,2 m/s	0 - 9,3 m/s
Širok trak	10 mm / 3/8"	13 mm / 1/2"
Dolžina traku	330 mm / 13"	457 mm / 18"
Teža po EPTA-proceduri 01/2014 (Li-Ion 2,0 Ah ... 6,0 Ah)	1,0 ... 1,2 kg	1,1 ... 1,3 kg
Priporočena temperatura okolice za obratovanje	-18 ... +50 °C	-18 ... +50 °C
Priporočeni kompleti akumulatorjev	M12B...	M12B...
Priporočeni polnilniki	C12C; M12-18...; M12C4; M12TC	C12C; M12-18...; M12C4; M12TC
Informacije o hrupnosti Vrednosti merjenja ugotovljene ustrezno z EN 62841.		
Raven hrupnosti naprave ovrednotena z A, znaša tipično:		
Nivo zvočnega tlaka / Nevarnost K	70 dB (A) / 3 dB (A)	68 dB (A) / 3 dB (A)
Višina zvočnega tlaka / Nevarnost K	81 dB (A) / 3 dB (A)	79 dB (A) / 3 dB (A)
Nosite zaščito za sluh!		
Informacije o vibracijah Skupna vibracijska vrednost (Vektorska vsota treh smerdoločena ustrezno EN 62841.		
Vibracijska vrednost emisij a_h / Nevarnost K	2,16 m/s ² / 1,5 m/s ²	1,69 m/s ² / 1,5 m/s ²

⚠ OPOZORILO!

Raven vibracij in hrupa, navedena v tem informativnem listu, je bila izmerjena v skladu s standardiziranim preskusom iz EN 62841 in jo je mogoče uporabljati za primerjavo orodij med seboj. Mogoče jo je tudi uporabiti za predhodno oceno izpostavljenosti.

Navedena raven vibracij in hrupa predstavlja glavno uporabo orodja. Če pa se orodje uporablja za različne namene, z različnimi dodatki ali slabo vzdrževano, se lahko vibracije in hrup razlikujejo. To lahko znatno poveča raven izpostavljenosti v celotnem delovnem obdobju.

Pri oceni ravni izpostavljenosti vibracijam in hrupu je treba upoštevati tudi čas, ko je orodje izklopljeno ali ko teče, vendar dejansko ne opravlja dela. To lahko bistveno zmanjša raven izpostavljenosti v celotnem delovnem obdobju.

Ugotovite dodatne varnostne ukrepe za zaščito upravljavca pred učinki vibracij in/ali hrupa, kot so: vzdrževanje orodja in dodatkov, tople roke, organizacija delovnih vzorcev.

⚠ OPOZORILO! Preberite vse varnostne napotke, navodila, prikaze in podatke, ki ste jih prejeli skupaj z napravo. Zaradi nespoštovanja spodaj navedenih navodil lahko pride do električnega udara, požara in/ali težkih telesnih poškodb.

Vsa opozorila in napotila shranite, ker jih boste v prihodnje še potrebovali.

VARNOSTNA NAVODILA ZA BRUSILNIKE

Brusilni prah, zbran z brusilnih površin, kot so poliuretani, laneno olje itn., se lahko samodejno vžge v vrečki za prah vakuumskega sesalnika ali drugje in povzroči požar. Za zmanjšanje nevarnosti požara vedno redno (na 10–15 minut) praznite vrečko za prah vakuumskega sesalnika in vakuumskega sesalnika nikoli ne shranjujte ali puščajte, ne da bi popolnoma izpraznili vrečko za prah. Upoštevajte tudi priporočila proizvajalcev premazov.

NADALJNA VARNOSTNA IN DELOVNA OPOZORILA

Uporabljajte osebno zaščitno opremo in vedno nosite zaščitna očala. Nošenje osebne zaščitne opreme, na primer maske proti prahu, nedrsečih zaščitnih čevljev, varnostne čelade ali zaščitnih glušnikov, kar je odvisno od vrste in načina uporabe električnega orodja, zmanjšuje tveganje telesnih poškodb.

Prah, ki nastaja pri delu, je pogosto zdravju škodljiv in naj ne zaide v telo. Nosite ustrezno masko proti prahu. Obdelava materialov, iz katerih izhaja ogroženost zdravja (npr. azbest), ni dovoljena.

V primeru blokade orodja napravo takoj izklopite! Naprave ponovno ne vklopljajte dokler je orodje blokirano; pri tem bi lahko prišlo do povratnega udara z velikim reakcijskim momentom. Ugotovite in odpravite vzroke blokade orodja ob upoštevanju varnostnih navodil.

Možni razlogi so lahko:

- Zagozditve v obdelovancu
- Preboj obdelovanega materiala
- Preobremenitev električnega orodja

Ne segajte v stroj v teku.

Orodje ima ostre robove in se lahko med uporabo segreje.

OPOZORILO! Nevarnost ureznin in opeklin

- pri rokovanju z orodji
- pri odlaganju naprave

Pri rokovanju z orodji nosite zaščitne rokavice.

Trske ali iveri se pri tekočem stroju ne smejo odstranjevati.

Pri delih na steni, stropu ali v tleh pazite na električne kable, plinske in vodne napeljave.

Obdelovanec zavarujte z vpenjalno pripravo. Nezavarovani obdelovanci lahko povzročijo težke poškodbe in okvare.

Pred nastavitvami, čiščenjem in vzdrževanjem na napravi odstranite nadomestni akumulator.

OPOZORILO! V izogib, s kratkim stikom povzročene nevarnosti požara, poškodb ali okvar na proizvodu, orodja, izmenljivega akumulatorja ali polnilne naprave ne potaplajte v tekočine in poskrbite, da ne bo prihajalo do vdora tekočin v napravo in akumulatorje. Korozivne ali prevodne tekočine, kot so slana voda, določene kemikalije in belila ali proizvodi, ki le ta vsebujejo, lahko povzročijo kratek stik.

Izmenljivih akumulatorjev in polnilnih aparatov ne odpirajte in jih hranite samo v suhih prostorih. Zaščitite jih pred mokroto.

Izmenljive akumulatorje sistema M12 polnite samo s polnilnimi aparati sistema M12. Ne polnite nobenih akumulatorjev iz drugih sistemov.

UPORABA V SKLADU Z NAMEDNOSTJO

Tračni brusilnik se lahko uporablja za brušenje lesa, plastike, kovine, polnila in barvanih površin.

Ta stroj je primeren samo za suho brušenje!

Izdelka ne uporabljajte na noben drugačen način od navedenega za predvideno uporabo.

PREOSTALE NEVARNOSTI

Tudi pri pravilni uporabi vseh pretalnih tveganj ni mogoče izključiti. Pri uporabi lahko pride do sledečih nevarnosti, na katere naj bo uporabnik zmeraj pozoren:

- Vsled vibracij povzročene poškodbe. Napravo držite za temu namenu predvidene ročaje in omejite čas dela in izpostavljenosti.
- Obremenitev s hrupom lahko privede do poškodb sluha. Nosite zaščitno sluha in omejite dovo izpostavljenosti.
- Vsled delcev nečistoč povzročene poškodbe oči. Nosite zmeraj zaščitna očala, močne dolge hlače, rokavice in močno obutev..
- Vdihavanje nevarnih prahov.

NAPOTKI ZA LITIJ-IONSKE AKUMULATORJE

Uporaba litij-ionskih akumulatorjev

Izmenljive akumulatorje, ki jih daljši čas niste uporabljali, pred uporabo naknadno napolnite.

Temperatura nad 50°C zmanjšuje zmogljivost izmenljivega akumulatorja. Izogibajte se daljšemu segrevanju zaradi sončnih žarkov ali gretja.

Pazite, da ostanejo priključni kontakti na polnilnem aparatu in izmenljivem akumulatorju čisti.

za optimalno življenjsko dobo je potrebno akumulatorje po uporabi do konca napolniti.

Za čim daljšo življenjsko dobo naj se akumulatorji po napolnitvi vzamejo ven iz naprave za polnjenje.

Pri skladiščenju akumulatorjev daj kot 30 dni:

Baterijo hranite pri temperaturi pod 27 °C in na mestu, kjer ni vlage.

Akumulator skladiščiti pri 30%-50% stanja polnjenja.

Akumulator spet napolniti vsakih 6 mesecev.

Preobremenitvena zaščita litij-ionskih akumulatorjev

V primeru preobremenitve akumulatorja zaradi visoke porabe toka, npr. ekstremno visokih vrtilnih momentov, nenadne zaustavitve ali kratkega stika, električno orodje 5 sekund vibrira, prikazovalnik polnjenja utripa, električno orodje pa se samodejno izklopi.

Za ponoven vklop izpustite pritisno stikalo in nato znova vklopite.

Pod ekstremnimi obremenitvami se akumulator premočno segreva.

V tem primeru utripajo vse lučke prikazovalnika polnjenja dokler se akumulator ne ohladi. Za tem, ko prikazovalnik polnjenja ugasne lahko z delom nadaljujemo.

Transport litij-ionskih akumulatorjev

Litij-ionski akumulatorji so podvrženi zakonskim določbam transporta nevarnih snovi.

Transport teh akumulatorjev se mora izvajati upoštevajoč lokalne, nacionalne in mednarodne predpise in določbe.

Potrošniki lahko te akumulatorje še nadalje transportirajo po cesti.

Komercialni transport litij-ionskih akumulatorjev s strani špediterskih podjetij je podvržen določbam transporta nevarnih snovi. Priprava odpreme in transporta se lahko vrši izključno s strani ustrezno izšolanih oseb. Celoten proces je potrebno strokovno spremljati.

Pri transportu akumulatorjev je potrebno upoštevati sledeče točke:

V izogib kratkim stikom zagotovite, da bodo kontakti zaščiteni in izolirani.

Bodite pozorni na to, da paket akumulatorja v notranjosti embalaže ne bo mogel zdrsniti. Poškodovanih ali iztekajočih akumulatorjev ni dovoljeno transportirati. Za nadaljnja navodila se obrnite na vaše špeditersko podjetje.

PRACOVNE POKYNY

Hitrost odstranjevanja obloge med brušenjem in končna obdelava površine sta v bistvu odvisna od izbire brusnega traku in predhodno nastavljene hitrosti traku. Višja kot je hitrost traku, večje je odstranjevanje obloge in bolj fina je brusilna površina.

Samo brezhibni abrazivni trakovi zagotavljajo dobro učinkovitost brušenja in varujejo električno orodje. Če je mogoče, delajte z nizkim kontaktnim tlakom, da podaljšate življenjsko dobo brusnih trakov. Nosilnost električnega orodja zadošča za dobro učinkovitost brušenja. Čezmerno povečanje kontaktnega tlaka ne vpliva na povečano učinkovitost brušenja, temveč na večjo obrabo električnega orodja in brusnega traku.

Vklopljeno električno orodje namestite na površino, ki jo želite obdelati. Delajte z zmerno hitrostjo pomikanja ter postopek brušenja izvedite vzporedno in prekrivajoče se s potmi brušenja. Brusite v smeri zrna, navzkrizne brusilne sledi povzročajo moteče učinke brušenja.

Zlasti pri brušenju ostankov barve se lahko ti stopijo in se razmažejo po površini materiala in brusilnem traku. Zato med delom uporabljajte napravo za odsesavanje prahu.

Brusnega traku, s katerim je bila kovina že obdelana, ni dovoljeno uporabljati za druge materiale.

Abrazivne trakove hranite samo v visečem položaju in jih ne upogibajte, sicer bodo postali neuporabni.

Predizbira hitrosti pasu

Zahtevana hitrost traku je odvisna od materiala in delovnih pogojev ter se lahko določi s praktičnimi preizkusi.

ČIŠČENJE










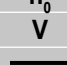





Pazite na to, da so prezračevalne reže stroja vedno čiste.

VZDRŽEVANJE

Uporabljajte samo Milwaukee pribor in Milwaukee nadomestne dele. Poskrbite, da sestavne dele, katerih zamenjava ni opisana, zamenjajo v Milwaukee servisni službi (upoštevajte brošuro Garancija aslovi servisnih služb).

Po potrebi se lahko pri vaši servisni službi ali direktno pri Techtronic Industries GmbH naroči eksplozijska risba naprave ob navedbi tipa stroja in številke s tipske ploščice Techtronic Industries GmbH, Max-Eyth-Straße 10, 71364 Winnenden, Germany.

SIMBOLI

	Prosimo, da pred uporabo pozorno preberete to navodilo za uporabo.
	POZOR! OPOZORILO! NEVARNO!
	Pred vsemi deli na stroji odstranite izmenljivi akumulator.
	Pri delu s strojem vedno nosite zaščitna očala.
	Nosite ustrezno masko proti prahu.
	Smer vrtenja
	Oprema – ni vsebovana v obsegu dobave, priporočeno dopolnilo iz programa opreme.
	Električnih naprav, baterij/akumulatorjev ni dovoljeno odstranjevati skupaj z gospodinjstvi odpadki. Električne naprave in akumulatorje je potrebno zbirati ločeno in za okolju prijazno odstranitev, oddati podjetju za reciklažo. Pri krajevnem uradu ali vašem strokovnem prodajalcu se pozanimajte glede reciklažnih dvorišč in zbirnih mest.
	Hitrost traku, Prosti tek
	Napetost
	Enosmerni tok
	Evropska oznaka za združljivost
	Britanska oznaka za združljivost
	Ukrajinska oznaka za združljivost
	Evrazijska oznaka za združljivost

TEHNIČKI PODACI	M12 FBFL10	M12 FBFL13
Vrsta izvedbe	Tračna turpija	Tračna turpija
Broj proizvodnje	4919 22 01 XXXXXX MJJJJ	4919 32 01 XXXXXX MJJJJ
Napon baterije za zamjenu	12 V =	12 V =
Brzina trake, velika brzina	0 - 18,5 m/s	0 - 18,4 m/s
Brzina trake, mala brzina	0 - 9,2 m/s	0 - 9,3 m/s
Širina trake	10 mm / 3/8"	13 mm / 1/2"
Dužina trake	330 mm / 13"	457 mm / 18"
Težina po EPTA-proceduri 01/2014 (Li-Ion 2,0 Ah ... 6,0 Ah)	1,0 ... 1,2 kg	1,1 ... 1,3 kg
Preporučena temperatura okoline za pogon	-18 ... +50 °C	-18 ... +50 °C
Preporučeni akumulatorski paket	M12B...	M12B...
Preporučeni punjači	C12C; M12-18...; M12C4; M12TC	C12C; M12-18...; M12C4; M12TC
Informacije o buci Mjerne vrijednosti utvrđene odgovarajuće EN 62841. A-ocjenjeni nivo buke aparata iznosi tipično:		
Nivo pritiska zvuka / Nesigurnost K	70 dB (A) / 3 dB (A)	68 dB (A) / 3 dB (A)
Nivo učinka zvuka / Nesigurnost K	81 dB (A) / 3 dB (A)	79 dB (A) / 3 dB (A)
Nositi zaštitu sluha!		
Informacije o vibracijama Ukupne vrijednosti vibracije (Vektor suma tri smjersu odmjerene odgovarajuće EN 62841.		
Vrijednost emisije vibracije a_{hv} / Nesigurnost K	2,16 m/s ² / 1,5 m/s ²	1,69 m/s ² / 1,5 m/s ²

UPOZORENIE!

Razine emisije vibracija i buke navedena u ovom informacijskom listu izmjerene su u skladu sa standardiziranim ispitom koji propisuje EN 62841 i mogu se upotrebljavati za međusobnu usporedbu alata. Također se mogu upotrebljavati za prethodnu procjenu izloženosti.

Navedene razine emisija vibracija i buke predstavljaju glavnu svrhu primjene alata. Međutim, ako se alat upotrebljava u druge svrhe, s drugim priborom ili se ne održava dovoljno, emisije vibracija i buke mogu biti drukčije. To može značajno povećati razinu izloženosti tijekom cjelokupna razdoblja rada.

Procjena razine izloženosti vibracijama i buci također bi u obzir trebala uzeti razdoblja tijekom kojih je alat isključen ili kada je uključen, no nje se ne obavlja nikakav rad. Time se značajno može smanjiti razina izloženosti tijekom cjelokupna razdoblja rada.

Utvrđite dodatne sigurnosne mjere kako biste zaštitili rukovatelja od ovih učinaka vibracija i/ili buke, primjerice: održavanje alata i pribora, osiguravanje da ruke budu tople, organizacija obrazaca rada.

UPOZORENIE! Pročitajte sve sigurnosne upute, napomene, prikaze i podatke koje dobijete uz uređaj. Ako se ne bi pridržavali sljedećih uputa, moglo bi doći do električnog udara, požara i/ili teških ozljeda.

Sačuvajte sve napomene o sigurnosti i upute za buduću primjenu.

SIGURNOSNE UPUTE ZA BRUSILICE

Nakupljena brusna prašina s premaza brusnih površina kao što su poliuretani, laneno ulje itd. mogu se samozapaliti u vreći usisivača ili drugdje te uzrokovati požar. Da biste umanjili rizik požara, redovito praznite vreću usisivača (10 – 15 minuta) tijekom brušenja te nikada nemojte skladištiti niti ostavljati usisivač, a da vreću usisivača u cijelosti ne ispraznite. Također, slijedite preporuke proizvođača premaza.

OSTALE SIGURNOSNE I RADNE UPUTE

Nosite osobnu zaštitnu opremu i uvijek nosite zaštitne naočale. Nošenje osobne zaštitne opreme, kao što je maska za prašinu, sigurnosna obuća koja ne klizi, zaštitna kaciga ili štitnik za sluh, ovisno od vrste i primjene električnog alata, smanjuje opasnost od ozljeda.

Prašina koja nastaje prilikom rada je često nezdrava i ne bi smijela dospjeti u tijelo. Nosite prikladnu zaštitnu masku protiv prašine. Ne smiju se obrađivati nikakvi materijali, od kojih prijeti opasnost po zdravlje (npr. azbest).

Kod blokiranja alata koji se upotrebljava uređaj molimo odmah isključiti! Uređaj nemojte ponovno uključiti za vrijeme dok je alat koji se upotrebljava blokiran; time može doći do povratnog udara sa visokim reakcijskim momentom. Pronađite i otklonite uzrok blokiranja alata koji se upotrebljava uz poštivanje sigurnosnih uputa.

Mogući uzroci tome mogu biti:

- Izobličavanje u izratku koji se obrađuje

- Proboj materijala koji se obrađuje
- Preopterećenje električnog alata

Nemojte sezati u stroj koji radi.

Radni alat je oštrobridan i može za vrijeme uporabe postati vruć.

UPOZORENJE! Opasnost od rezanja i opekotina

- kod rukovanja s radnim alatima

- kod odlaganja uređaja

Kod rukovanja radnim alatima nositi zaštitne rukavice.

Piljevina ili iverje se za vrijeme rada stroja ne smiju odstranjivati.

Kod radova na zidu, stropu ili podu paziti na električne kablove kao i vodove plina i vode.

Osigurajte vaš izradak jednim steznom uređenjem. Neosigurani izradci mogu prouzročiti teške povrede i oštećenja.

Prije početka postavljanja, čišćenja ili održavanja uređaja izvadite baterije.

UPOZORENIE! Zbog izbjegavanja opasnosti od požara jednim kratkim spojem, opasnosti od ozljeda ili oštećenja proizvoda, alat, izmjenjivi akumulator ili napravu za punjenje ne uronjavati u tekućine i pobrinite se za to, da u uređaje ili akumulator ne prodiru nikakve tekućine. Korozirajuće ili vodljive tekućine kao slana voda, određene kemikalije i sredstva za bijeljenje ili proizvodi koji sadrže sredstva bijeljenja, mogu prouzročiti kratak spoj.

Baterije za zamjenu i uređaje za punjenje ne otvarati i čuvati ih samo u suhim prostorijama. Čuvati protiv vlage.

Baterije sistema M12 puniti samo sa uređajem za punjenje sistema M12. Ne puniti baterije iz drugih sistema.

PROPISNA UPOTREBA

Tračna brusilica može se upotrebljavati za brušenje drva, plastike, metala, punila i obojenih površina.

Ovaj stroj je prikladan samo za suho brušenje.

Proizvod nemojte koristiti u svrhe za koje nisu namijenjeni.

PREOSTALE OPASNOSTI

I kod pravilne uprabe se ne mogu isključiti svi ostaci rizika. Kod uporabe mogu nastati sljedeće opasnosti, na koje poslužioc mora obratiti posebnu pažnju:

- Vibracijama prouzročene ozljede. Uređaj držite na za to predviđenim drškama i ograničite radno vrijeme i vrijeme ekspozicije.
- Opterećenje bukom može dovesti do oštećenja sluha. Nosite zaštitu sluha i ograničite trajanje ekspozicije.
- Česticama prljavštine prouzročene ozljede očiju. Nosite uvijek zaštitne naočale, zatvorene duge hlače, rukavice i zatvorene cipele.
- Udisanje otrovnih prašina.

UPUTE ZA LI-ION-AKUMULATORE

Korištenje Li-Ion-akumulatora

Baterije koje duže vremena nisu korištene, prije upotrebe napuniti.

Temperatura od preko 50°C smanjuje učinak baterija. Duže zagrijavanje od strane sunca ili grijanja izbjeci. Priključne kontakte na uređaju za punjenje i baterijama držati čistima.

Za optimalni vijek trajanja se akumulatori poslije upotrebe moraju sasvim napuniti.

Za što duže vrijeme trajanja, akumulatori se nakon punjenja moraju odstraniti iz punjača.

Kod skladištenja akumulatora duže od 30 dana:

Pohranite paket baterija na mjestu s temperaturom nižom od 27 °C i na kojem nema vlage

Akumulator skladištiti kod ca. 30%-50% stanja punjenja.

Akumulator ponovno napuniti svakih 6 mjeseci.

Zaštita od preopterećenja akumulatora kod Li-Ion-akumulatora

Kod preopterećenja akumulatora kroz vrlo visoku potrošnju struje, npr. ekstremno visoki zakretni momenti, električni alat vibrira za vrijeme od 5 sekundi, pokazivač punjenja treperi i električni alat se samostalno isključuje.

Za ponovno uključivanje ispuštiti okidač sklopke i zatim ponovno uključiti. Pod ekstremnim opterećenjima se akumulator prejak zagrije. U tome slučaju trepere sve lampice pokazivača punjenja, sve dok se akumulator ne ohladi. Poslije gašenja pokazivača punjenja se može nastaviti sa radom.

Transport litijskih ionskih baterija

Litijske-ionske baterije spadaju pod zakonske odredbe u svezi transporta opasne robe.

Prijevoz ovih baterija mora uslijediti uz poštivanje lokalnih, nacionalnih i internacionalnih propisa i odredaba.

Korisnici mogu bez ustručavanja ove baterije transportirati po cestama.

Komercijalni transport litijsko-ionskih baterija od strane transportnih poduzeća spada pod odredbe o transportu opasne robe. Otpremničke pripreme i transport smiju izvoditi isključivo odgovarajuće školovane osobe. Kompletni proces se mora pratiti na stručan način.

Kod transporta baterija se moraju poštivati sljedeće točke:

Uvjerite se da su kontakti zaštićeni i izolirani kako bi se izbjegli kratki spojevi.

Pazite na to, da blok baterija unutar pakiranja ne može proklizavati. Oštećene ili iscrpive baterije se ne smiju transportirati. U svezi ostalih uputa obratite se vašem prijevoznom poduzeću.

RADNE UPUTE

Brzina uklanjanja strugotina tijekom brušenja i završna obrada površine u načelu se određuju odabirom brusne trake te unaprijed određenom brzinom trake. Što je brzina trake veća, to je uklanjanje strugotina bolje te je površina nakon brušenja finija.

Samo besprijekorne abrazivne trake daju dobre rezultate brušenja te štite električni alat. Ako je moguće, radite uz nizak kontaktni tlak da biste povećali vijek trajanja brusnih traka. Ukupna nosivost električnog alata dovoljna je za dobar rezultat brušenja. Prekomjerno povećanje kontaktnog tlaka ne dovodi do boljih rezultata brušenja, već do većeg trošenja električnog alata i brusne trake.

Postavite uključeni električni alat na površinu koju je potrebno strojno obraditi. Radite uz umjerenu brzinu pomicanja te provodite proces brušenja paralelno i preklapajuće u pogledu staza brušenja. Brusite u smjeru godova jer unakrsne staze brušenja vode do ometajućih rezultata brušenja.

Posebno tijekom brušenja ostataka boje može doći do njihova rastapanja te razmazivanja po površini materijala i brusnoj traci. Stoga radite uz sustav za ekstrakciju prašine.

Brusna traka kojom je već obrađivan metal ne bi se smjela upotrebljavati za druge materijale.

Skladištite abrazivne trake isključivo u visećem položaju i nemojte ih savijati jer će one u protivnom postati neupotrebljive.

Predodabir brzine trake

Potrebna brzina trake ovisi o materijalu i radnim uvjetima te se može odrediti s pomoću praktičnih provjera.

ČIŠĆENJE

Proreze za prozračivanje stroja uvijek držati čistima.

ODRŽAVANJE

Primijeniti samo Milwaukee opremu i Milwaukee rezervne dijelove. Sastavne dijelove, čija zamjena nije opisana, dati zamijeniti kod jedne od Milwaukee servisnih službi (poštivati brošuru Garancija/ Adrese servisa).

Po potrebi se može zatražiti crtež eksplozije aparata uz davanje podataka o tipu stroja i desetoznamenkastog broja na pločici snage kod Vaše servisne službe ili direktno kod Techtronic Industries GmbH, Max-Eyth-Straße 10, 71364 Winnenden, Germany.

SIMBOLI

	Molimo da pažljivo pročitate uputu o upotrebi prije puštanja u rad.
	PAŽNJA! UPOZORENIE! OPASNOST!
	Prije svih radova na stroju izvaditi bateriju za zamjenu.
	Kod radova na stroju uvijek nositi zaštitne naočale.
	Nositi prikladnu zaštitnu masku protiv prašine.
	Smjer vrtnje
	Oprema - u opsegu isporuke nije sadržana, preporučena dopuna iz promgrama opreme.
	Elektrouređaji , baterije/akumulatori se ne smiju zbrinjavati skupa sa kućnim smećem. Električni uređaji/akumulatori se moraju skupljati odvojeno i predati na zbrinjavanje primjereno okolišu jednom od pogona za iskorišćavanje. Raspitajte se kod mjesnih vlasti ili kod stručnog trgovca u svezi gospodarstva za recikliranje i mjesta skupljanja.
	n_0 Brzina trake, Rad na prazno
	V Napon
	Istosmjerna struja
	Europski znak suglasnosti
	Britanski znak suglasnosti
	Ukrajinski znak suglasnosti
	Euroazijski znak suglasnosti

TEHNIŠKIE DATI	M12 FBFL10	M12 FBFL13
Konstrukcija	Lentes sljipmašina	Lentes sljipmašina
Izlaides numurs	4919 22 01 XXXXXX MJJJJ	4919 32 01 XXXXXX MJJJJ
Akumulatora spriegums	12 V =	12 V =
Lentas kustības ātrums, Augsts ātrums	0 - 18,5 m/s	0 - 18,4 m/s
Lentas kustības ātrums, Zems ātrums	0 - 9,2 m/s	0 - 9,3 m/s
Plata lente	10 mm / 3/8"	13 mm / 1/2"
Lentas garums	330 mm / 13"	457 mm / 18"
Svars atbilstoši EPTA -Procedure 01/2014 (Li-Ion 2,0 Ah ... 6,0 Ah)	1,0 ... 1,2 kg	1,1 ... 1,3 kg
Darbībai ieteicamā apkārtnes temperatūra	-18 ... +50 °C	-18 ... +50 °C
Ieteicamie akumulatoru komplekti	M12B...	M12B...
Ieteicamās uzlādes ierīces	C12C; M12-18...; M12C4; M12TC	C12C; M12-18...; M12C4; M12TC
Trokšņu informācija Vērtības, kas noteiktas saskaņā ar EN 62841.		
A novērtētās aparatūras skaņas līmenis ir:		
Trokšņa spiediena līmenis / Nedrošība K	70 dB (A) / 3 dB (A)	68 dB (A) / 3 dB (A)
Trokšņa jaudas līmenis / Nedrošība K	81 dB (A) / 3 dB (A)	79 dB (A) / 3 dB (A)
Nēsāt trokšņa slāpētāju!		
Vibrāciju informācija Svārstību kopējā vērtība (Trīs virzienu vektoru summīteik noteikta atbilstoši EN 62841.		
svārstību emisijas vērtība a_n / Nedrošība K	2,16 m/s ² / 1,5 m/s ²	1,69 m/s ² / 1,5 m/s ²

UZMANĪBU!

Vibrācijas un trokšņa emisijas līmenis šajā informācijas lapā ir izmērīts saskaņā ar EN 62841 standarta testa metodi un var tikt izmantots, lai salīdzinātu vienu ierīci ar otru. Tās var tikt izmantotas ietekmes sākotnējai izvērtēšanai.

Norādītais vibrācijas un trokšņa emisijas līmenis attēlo ierīces galvenos izmantošanas veidus. Tomēr, ja ierīce tiek izmantota citiem mērķiem, ar citu papildaprīkojumu vai nepareizi apkalpota, vibrācijas un trokšņa emisija var atšķirties. Tas var ievērojami paaugstināt ietekmes līmeni visā darba laikā.

Novērtējot vibrācijas un trokšņa ietekmes līmeni, vajadzētu ņemt vērā arī laiku, kad ierīce ir izslēgta vai ieslēgta, taču netiek lietota. Tas var ievērojami samazināt ietekmes līmeni visā darba laikā.

Lai aizsargātu operatoru no vibrācijas un/vai trokšņa, veiciet papildu drošības pasākumus, piemēram, veiciet apkopi ierīcei un papildaprīkojumam, uzturiet rokas siltas, organizējiet darba grafiku.

UZMANĪBU!

Izlasiet visus drošības norādījumus, instrukcijas, attēlus un datus, ko saņemat kopā ar ierīci. Turpmāk sniegto norādījumu neievērošana var kļūt par cēloni elektriskajam triecienam, ugunsgrēkam un/vai smagam savainojumam.

Pēc izlasīšanas uzglabājiet šos noteikumus turpmākai izmantošanai.

DROŠĪBAS INSTRUKCIJA SLĪPMAŠĪNĀM

Savāktie slīpēšanas putekļi no tādu slīpēšanas virsmu pārklājumiem kā poliuretāns, linsēklu eļļa utt. var pašaiizdegties putekļsūcēja maisiņā vai citur un izraisīt ugunsgrēku. Lai mazinātu ugunsgrēka risku, vienmēr slīpēšanas laikā regulāri (ik pēc 10–15 minūtēm) iztukšojiet putekļsūcēja maisiņu un nekad neglabājiet un neatstājiet putekļsūcēju ar pilnībā neiztukšotu maisiņu. Turklāt ievērojiet pārklājuma ražotāja norādījumus.

CITAS DROŠĪBAS UN DARBA INSTRUKCIJAS

Izmantojiet individuālos darba aizsardzības līdzekļus. Darba laikā nēsājiet aizsargbrilles. Individuālo darba aizsardzības līdzekļu (putekļu maskas, neslīdošu apavu un aizsargķiveres vai asu aizsargu) pielietošana atbilstoši elektroinstrumenta tipam un veicamā darba raksturam ļauj izvairīties no savainojumiem.

Putekļi, kas rodas darba gaitā, bieži ir kaitīgi veselībai un tiem nevajadzētu nokļūt organismā. Jānēsā piemērota maska, kas pasargā no putekļiem. Nedrīkst apstrādāt materiālus, kas rada draudus veselībai (piemēram, azbestu).

Ja izmantojamais darba rīks tiek bloķēts, nekavējoties izslēgt ierīci! Neieslēdziet ierīci, kamēr izmantojamais darba rīks ir bloķēts; var rasties atsitens ar augstu griezes momentu. Noskaidrojiet un novērsiet izmantojamā darba rīka bloķēšanas iemeslu, ievērojot visas drošības norādes.

Iespējami iemesli var būt:

- iesprūdis apstrādājamajā materiālā
- Apstrādājamā materiāla caururbšana
- elektroinstrumenti ir pārslogots

Leslēgtai ierīcei nepieskarties.

Ierīces uzgajiem ir asas malas un lietošanas laikā tas var sakarst.

BRĪDINĀJUMS! Sagriešanās un apdedzināšanās risks

- strādājot ar ierīci

- noliekot iekārtu

Strādājot ar ierīci, valkājiet aizsargcimdus.

Skaidas un atlūzas nedrīkst ņemt ārā, kamēr mašina darbojas.

Veicot darbus sienā, griestū un grīdās apvidū, vajag uzmanīties, lai nesabojātu elektriskos, gāzes un ūdens vadus.

Fiksējiet apstrādājamo materiālu ar fiksācijas aprīkojumu.

Nenostiprināti materiāli var izraisīt smagus savainojumus un bojājumus.

Pirms instrumenta regulēšanas, tīrīšanas vai tehniskās apkopes atvienojiet akumulatora komplektu.

UZMANĪBU! Lai novērstu īssavienojuma izraisītu aizdegšanās, savainojumu vai produkta bojājuma risku, neiegremdējiet instrumentu, maināmo akumulatoru vai uzlādes ierīci šķidrums un rūpējieties par to, lai ierīcēs un akumulatoros neiekļūtu šķidrums. Koroziju izraisoši vai vadītspējīgi šķidrums, piemēram, sālsūdens, noteiktas ķīmikālijas, balinātāji vai produkti, kas satur balinātājus, var izraisīt īssavienojumu.

Akumulatorus un lādētājus nedrīkst taisīt vaiņ un tie jāuzglabā sausās telpās.

M12 sistēmas akumulatorus lādēt tikai ar M12 sistēmas lādētājiem. Nedrīkst lādēt citus akumulatorus no citām sistēmām.

NOTEIKUMIEM ATBILSTOŠS IZMANTOJUMS

Lentes slīpmašīnu var izmantot koka, plastmasas, metāla, pildvielas un krāsotu virsmu slīpēšanai.

Šī mašīna ir piemērota tikai slīpēšanai bez ūdens.

Izmantojiet ražojumu tikai tam paredzētajiem mērķiem.

PĀRĒJIE RISKI

Arī, pareizi lietojot ierīci, nav iespējams izslēgt pilnīgi visus riskus. Lietojot ierīci, var rasties šāds apdraudējums, kam lietotājam jāpievērš īpaša uzmanība:

- Vibrācijas radītas traumas. Turiet ierīci aiz tam paredzētajiem rokturiem un ierobežojiet darbu un ekspozīcijas laiku.
- Troksnis var bojāt dzirdi. Lietojiet dzirdes aizsargierīces un ierobežojiet ekspozīcijas laiku.
- Netīrumu daļiņas var traumēt acis. Vienmēr valkājiet aizsargbrilles, stingras, garas bikses, cimdus un stingrus apavus.
- Indīgu putekļu ieelpošana.

NORĀDĪJUMI LITĪJA JONU AKUMULATORIEM

Litija jonu akumulatoru lietošana

Akumulatori, kas ilgāku laiku nav izmantoti, pirms lietošanas jāuzlādē.

Pie temperatūras, kas pārsniedz 50°C, akumulatoru darbība tiek negatīvi ietekmēta. Vajag izvairīties no ilgākas saules un karstuma iedarbības.

Lādētāja un akumulatoru pievienojuma kontakti jāuztur tīri.

Lai baterijas darba ilgums būtu optimāls, pēc iekārtas izmantošanas tā jāuzlādē.

Lai akumulatori kalpotu pēc iespējas ilgāku laiku, tos pēc uzlādes ieteicams atvienot no lādētāj ierīces.

Akumulatora uzglabāšana ilgāk kā 30 dienas:

Glabājiet akumulatora bloku mitrumam nepakļautā vietā temperatūrā zem 27 °C

Uzglabāt akumulatoru uzlādes stāvoklī aptuveni pie 30%-50%.

Uzlādēt akumulatoru visus 6 mēnešus no jauna.

Litija jonu akumulatoru aizsardzība pret pārslodzi

Akumulatoru pārslodzuma gadījumos, esot ļoti lielam elektroenerģijas patēriņam, piem., ārkārtīgi augsts griezes moments, pēkšņa apstāšanās vai īssavienojums, elektriskais darbarīks 5 sekundes vibrē, uzlādes indikators mirgo, un elektriskais darbarīks pats izslēdzas.

Lai to atkal ieslēgtu, atlaidiet ieslēgšanas pogu un tad to ieslēdziet no jauna. Esot ārkārtīgi augstam noslogojumam, akumulators sakarst pārāk daudz. Šādā gadījumā visas uzlādes indikatora lampiņas mirgo tik ilgi, kamēr akumulators ir atdzisis. Darbu varat turpināt, kad uzlādes indikators vairs nedeg.

Litija jonu akumulatoru transportēšana

Uz litija jonu akumulatoriem attiecas noteikumi par bīstamo kravu pārvadāšanu.

Šo akumulatoru transportēšana jāveic saskaņā ar vietējiem, valsts un starptautiskajiem normatīvajiem aktiem un noteikumiem.

Patērētāja darbības, pārvadājot šos akumulatorus pa autoceļiem, nav reglamentētas.

Uz litija jonu akumulatoru komerciālu transportēšanu, ko veic ekspedīcijas uzņēmums, attiecas bīstamo kravu pārvadāšanas noteikumi. Sagatavošanas darbus un transportēšanu drīkst veikt tikai atbilstoši apmācīts personāls. Viss process jāvada profesionāli.

Veicot akumulatoru transportēšanu, jāievēro:

Pārliecinieties, ka kontakti ir aizsargāti un izolēti, lai izvairītos no īssavienojumiem.

Pārliecinieties, ka akumulators iepakojumā nevar prasīdēt. Bojātus vai tekošus akumulatorus nedrīkst transportēt. Plašāku informāciju Jūs varat saņemt no ekspedīcijas uzņēmuma.

DARBA NORĀDĪJUMI

Materiāla noņemšanas slīpēšanas pakāpe slīpēšanas laikā un virsmas apdare pamatā ir atkarīga no slīpēšanas lentes izvēles un iepriekš iestatītā lentes ātruma. Jo lielāks lentes ātrums, jo augstāka slīpēšanas pakāpe un gludāka slīpētā virsma.

Tikai nebojātas abrazīvās lentes nodrošina labu slīpēšanas veiktspēju un aizsargā elektrisko darbarīku. Ja iespējams, strādājiet ar zemu kontaktspiedienu, lai pagarinātu slīpēšanas lentes darbību. Elektriskā darbarīka pašsvars ir pietiekams, lai nodrošinātu labu slīpēšanas veiktspēju. Pārmērīga kontaktspiediena palielināšana neveicina augstāku slīpēšanas veiktspēju, bet izraisa lielāku elektriskā darbarīka un slīpēšanas lentes nodilumu.

Novietojiet ieslēgtu elektrisko darbarīku uz apstrādājamās virsmas. Darbojieties vidējā ātrumā un veiciet slīpēšanas darbību tikai paralēli slīpēšanas ceļam un to pārklājot. Slīpējiet šķiedras virzienā, krustenisks slīpēšanas virziens rada traucējošus slīpēšanas efektus.

It īpaši slīpējot nost krāsas atliekas, tās var izkust un izsmērēties uz materiāla virsmas un slīpēšanas lentes. Tādēļ ir jāstrādā, izmantojot putekļu sūcēju.

Slīpēšanas lenti, kas jau ir izmantota metāla slīpēšanai, nedrīkst izmantot citu materiālu apstrādei.

Glabājiet abrazīvās lentes tikai pakārta, un tās nesalieciet, pretējā gadījumā tās vairs nebūs lietojamas.

Iepriekš iestatīts lentes ātrums

Nepieciešamais lentes ātrums ir atkarīgs no materiāla un darba apstākļiem, un to var noteikt, izmantojot praktiskas pārbaudes.

TĪRĪŠANA









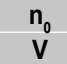






Vajag vienmēr uzmanīties, lai būtu tīras dzesēšanas atveres.

APKOPE

Izmantojiet tikai firmu Milwaukee piederumus un firmas Milwaukee rezerves daļas. Lieciet nomainīt detaļas, kuru nomaīņa nav aprakstīta, kādā no firmu Milwaukee klientu apkalpošanas servisiem. (Skat. brošūru "Garantija/klientu apkalpošanas serviss".)

Ja nepieciešams, klientu apkalpošanas servisā vai tieši pie firmas Techtronic Industries GmbH, Max-Eyth-Straße 10, 71364 Winnenden, Germany, var pieprasīt instrumenta numurs, kas norādīts uz jaudas paneļa.

SIMBOLI

	Pirms sākt lietot instrumentu, lūdzu, izlasiet lietošanas pamācību.
	UZMANĪBU! BĪSTAMI!
	Pirms mašīnai veikt jebkāda veida apkopes darbus, ir jāizņem arī akumulators.
	Strādājot ar mašīnu, vienmēr jānēsā aizsargbrilles.
	Jānēsā piemērota maska, kas pasargā no putekļiem.
	Griešanās virzienu
	Piederumi - standartaprīkojumā neietvertās, bet ieteicamās papildus komplektācijas detaļas no piederumu programmas.
	Elektriskus aparātus, baterijas/akumulatorus nedrīkst utilizēt kopā ar mājāsaimniecības atkritumiem. Elektriski aparāti un akumulatori ir jāsavāc atsevišķi un jānodod atkritumu pārstrādes uzņēmumā videi saudzīgai utilizācijai. Jautājiet vietējā iestādē vai savam specializētajam tirgotājam, kur atrodas atkritumu pārstrādes uzņēmumi vai savākšanas punkti.
	Lentas kustības ātrums, Tukšgaita
	Voltāža
	Līdzstrāva
	Eiropas atbilstības zīme
	Lielbritānijas atbilstības zīme
	Ukrainas atbilstības zīme
	Eiropas atbilstības zīme

TECHNINIAI DUOMENYS	M12 FBFL10	M12 FBFL13
Konstrukcija	Juostinis šlifukoilis	Juostinis šlifukoilis
Produkto numeris	4919 22 01 XXXXXX MJJJJ	4919 32 01 XXXXXX MJJJJ
Keičiamo akumulatoriaus įtampa	12 V =	12 V =
Juostos greitis, didelis greitis	0 - 18,5 m/s	0 - 18,4 m/s
Juostos greitis, mažas greitis	0 - 9,2 m/s	0 - 9,3 m/s
Plati juosta	10 mm / 3/8"	13 mm / 1/2"
Juostos ilgis	330 mm / 13"	457 mm / 18"
Prietaiso svoris įvertintas pagal EPTA 01/2014 tyrimų metodiką (Li-Ion 2,0 Ah ... 6,0 Ah)	1,0 ... 1,2 kg	1,1 ... 1,3 kg
Rekomenduojama aplinkos temperatūra eksploatuojant	-18 ... +50 °C	-18 ... +50 °C
Rekomenduojami akumulatoriai	M12B...	M12B...
Rekomenduojami įkrovikliai	C12C; M12-18...; M12C4; M12TC	C12C; M12-18...; M12C4; M12TC
Informacija apie keliamą triukšmą Vertės matuotos pagal EN 62841.		
Įvertintas A įrenginio keliamo triukšmo lygis dažniausiai sudaro:		
Garso slėgio lygis / Paklaida K	70 dB (A) / 3 dB (A)	68 dB (A) / 3 dB (A)
Garso galios lygis / Paklaida K	81 dB (A) / 3 dB (A)	79 dB (A) / 3 dB (A)
Nešioti klausos apsauginės priemonės!		
Informacija apie vibraciją Bendroji svyravimų reikšmė (trijų krypčių vektorių suma), nustatyta remiantis EN 62841.		
Vibravimų emisijos reikšmė a _h / Paklaida K	2,16 m/s ² / 1,5 m/s ²	1,69 m/s ² / 1,5 m/s ²

⚠ DĖMESIO!

Šiame vadove nurodytos bendrosios vibracijos ir triukšmo emisijos vertės nustatytos pagal standartinius bandymo metodus pagal EN 62841, todėl gali būti taikomos lyginant vieną įrankį su kitu. Gali būti naudojama preliminariam poveikio įvertinimui.

Nurodytos bendrosios vibracijos ir triukšmo emisijos vertės atitinka įrankio taikymą. Jei įrankis naudojamas kitokiais tikslais, kartu su kitokiais priedais ar netinkamai prižiūrimas, bendrosios vibracijos ir triukšmo emisijos vertės gali skirtis. Tai gali žymiai padidinti poveikio lygį viso darbo metu.

Apskaičiuojant bendrosios vibracijos ir triukšmo emisijos vertes reikėtų atsižvelgti į laikotarpį, kai prietaisas yra išjungtas arba įjungtas, bet nėra naudojamas. Tai gali žymiai sumažinti poveikio lygį viso darbo metu.

Tam, kad naudotojas būtų apsaugotas nuo vibracijos ir (arba) triukšmo poveikio, reikia nustatyti papildomus saugos reikalavimus, pavyzdžiui: tinkamai prižiūrėti prietaisą ir jo priedus, laikyti rankas šiltais, organizuoti darbo modelius.

⚠ DĖMESIO! Perskaitykite visas saugos nuorodas, instrukcijas, iliustracijas ir duomenis, kuriuos gaunate su prietaisu. Jei nepaisysite toliau pateiktų nuorodų, gali kilti elektros smūgio, gaisro ir /arba sunkių sužalojimų pavojus.

Išsaugokite šias saugos nuorodas ir reikalavimus, kad ir ateityje galėtumėte jais pasinaudoti.

SAUGOS INSTRUKCIJOS DIRBANT SU ŠLIFUOKLIAIS

Surinktos šlifavimo dulkės nuo šlifuojamo paviršiaus dangų, tokių kaip poliuretanas, sėmenų aliejus ir kt., gali savaime užsidegti dulkių siurblio maišelyje ar kitur ir sukelti gaisrą. Tam, kad sumažintumėte gaisro pavojų, visada šlifuodami periodiškai (kas 10–15 minučių) ištuštinkite dulkių siurblio maišelį ir niekada nelaikykite bei nepalikite dulkių siurblio visiškai neištuštę dulkių siurblio maišelio. Taip pat laikykites dangų gamintojų rekomendacijų.

KITI SAUGUMO IR DARBO NURODYMAI

Visada dirbkite su asmens apsaugos priemonėmis ir apsauginiais akiniais. Naudojant asmens apsaugos priemones, pvz., respiratorių ar apsauginę kaukę, neslystantčius batus, apsauginį šalną, klausos apsaugos priemones ir kt., rekomenduojamas atitinkamai pagal naudojamą elektrinį įrankį, sumažėja rizika susižeisti.

Darbo metu susidarancios dulkes yra dažnai kenksmingos sveikatai ir todėl turėtų nepatekti į organizmą. Dėvėti tinkamą apsauginę kaukę nuo dulkių. Negalima apdirbti medžiagu, dėl kurių galimi sveikatos pažeidimai (pvz., asbesto).

Blokuojant įstatomąjį įrankį būtina išjungti prietaisą! Neįjunkite prietaiso, kol įstatomas įrankis yra užblokuotas; galimas grįžtamasis smūgis su dideliu sukimo momentu. Atsižvelgdam į saugumo nurodymus, nustatykite ir pašalinkite įstatomojo įrankio blokavimo priežastį.

Galimos priežastys:

- Susidariusios apdirbamo ruošinio briaunos
- Apdirbamos medžiagos lūžimas
- Elektros įrankio perkrova

Nekiškite rankų į veikiančią mašiną.

Darbinis įrankis yra aštriabriaunis ir naudojimo metu gali įkaišti.

ĮSPĖJIMAS! Pavojus įsipjauti ir nudegti:

- dirbant su darbinio įrankiu,

- padedant prietaisą

Dirbdami su darbinio įrankiu, mūvėkite apsauginės pirštines.

Draudžiama išiminti drožles ar nuopjovas, įrenginiui veikiant.

Dirbdami sienoje, lubose arba grindyse, atkreipkite dėmesį į elektros laidus, dujų ir vandens vamzdžius.

Ruošinį užfiksuokite įtempimo įrenginiu. Neužfiksuoti ruošiniai gali sunkiai sužaloti ir būti pažeidimų priežastimi.

Prieš reguliuodami, valydami ir atlikdami techninę įrenginio priežiūrą išimkite akumuliatorių.

DĖMESIO! Siekdam išvengti trumpojo jungimo sukeliama gaisro pavojaus, sužalojimų arba produkto pažeidimų, neikiškite įrankio, keičiamo akumulatoriaus arba įkroviklio į skysčius ir pasirūpinkite, kad į prietaisus arba akumuliatorius nepatektų jokių skysčių. Koroziją sukeliatys arba laidūs skysčiai, pvz., sūrus vanduo, tam tikri chemikalai ir balikliai arba produktai, kurių sudėtyje yra baliklių, gali sukelti trumpąjį jungimą.

Keičiamų akumuliatorių ir įkroviklių nelaikykite atvirai. Laikykite tik sausoje vietoje. Saugokite nuo drėgmės.

Keičiamus M12 sistemoms akumuliatorius kraukite tik „M12“ sistemoms įkrovikliais. Nekraukite kitų sistemų akumuliatorių.

NAUDOJIMAS PAGAL PASKIRTĮ

Juostinis šlifukoilis gali būti naudojamas medienos, plastiko, metalo, glaistytų ir dažytų paviršių šlifavimui.

Šis įrenginys tinka tik sausam šlifavimui!

Nenaudokite gaminio kitaip, nei nurodytas naudojimas pagal paskirtį.

KITI PAVOJAI

Net ir tinkamai naudojant įrenginį neįmanoma apsisaugoti nuo visų liekamųjų rizikų. Naudojant įrenginį gali kilti šie pavojai, į kuriuos naudotojui ypač svarbu atkreipti dėmesį:

- Vibracijos sukeliama sužalojimai. Įrenginį laikykite už tam skirtų rankenų ir apribokite darbo bei ekspozicijos trukmę.
- Dėl triukšmo gali būti pažeista klausos. Naudokite klausos organų apsaugos priemones ir apribokite ekspozicijos trukmę.
- Nešvarumų dalelių sukeliama akių sužalojimai. Visuomet būkite su apsauginiais akiniais, mūvėkite tvirtas ilgas kelnes, pirštines ir avėkite tvirtus apsauginius batus..
- Nuodingų dulkių įkvėpimas.

NURODYMAI DĖL LIČIO JONŲ AKUMULIATORIAUS

Ličio jonų akumulatoriaus naudojimas

Ilgesnį laiką nenaudotus keičiamus akumuliatorius prieš naudojimą įkraukite.

Aukštesnė nei 50°C temperatūra mažina keičiamų akumuliatorių galią. Venkite ilgesnio saulės ar šilumos šaltinių poveikio.

Įkroviklio ir keičiamo akumulatoriaus jungiamieji kontaktai visada turi būti švarūs.

Kad prietaisas kuo ilgiau veiktų, pasinaudoję juo, iki galo įkraukite akumuliatorių.

Siekiant užtikrinti kuo ilgesnį baterijos tarnavimo laiką, reikėtų ją po atlikto įkrovimo iškart išimti iš įkroviklio.

Bateriją laikant ilgiau nei 30 dienų, būtina atkreipti dėmesį į šias nuorodas:

Laikykite akumulatoriaus bloką žemesnėje nei 27 °C temperatūroje ir sausoje vietoje

Baterijos įkrovimo lygis turi būti nuo 30% iki 50%.

Baterija pakartotinai turi būti įkraunama kas 6 mėnesius.

Ličio jonų akumulatoriaus apsauga nuo perkrovos

Esant akumulatoriaus perkrovai dėl pernelyg didelio srovės suvartojimo, pvz.: itin didelių apsučių, staigus sustabdymo ar trumpojo jungimo, elektrinis įrankis vibruoja 5 sekundes, signalinis įkrovos rodmuo pradeda mirksėti ir elektrinis įrankis automatiškai išsijungia.

Norint įrankį pakartotinai įjungti, reikia atleisti jungiklį ir vėl jį įjungti. Esant ekstremalioms apkrovoms akumuliatorius per stipriai įkaista. Tokiu atveju visos įkrovos lempučių mirksi taip ilgai, kol akumuliatorius atvėsta. Užgesus įkrovos rodmenims įrankiu galima naudotis toliau.

Ličio jonų akumuliatorių pervežimas

Ličio jonų akumuliatoriams taikomos įstatyminės nuostatos dėl pavojingų krovinių pervežimų.

Šiuos akumuliatorius pervežti būtina laikantis vietinių, nacionalinių ir tarptautinių direktyvų ir nuostatų.

Naudotojai šiuos akumuliatorius gali naudoti savo transporte be jokių kitų sąlygų.

Už komercinį ličio jonų akumuliatorių pervežimą atsako ekspedicijos įmonė pagal nuostatas dėl pavojingų krovinių pervežimo.

Pasiruošimo išsiųsti ir pervežimo darbus gali atlikti tik atitinkamai išmokyti asmenys. Visas procesas privalo būti prižiūrimas.

Pervežant akumuliatorius būtina laikytis šių punktų:

Siekiant išvengti trumpųjų jungimų, įsitikinkite, kad kontaktai yra apsaugoti ir izoliuoti.

Atkreipkite dėmesį, kad akumuliatorius pakuotės viduje neslidinėtų. Draudžiama pervežti pažeistus arba tekančius akumuliatorius. Dėl detalesnių nurodymų kreipkitės į savo ekspedicijos įmonę.

DARBO NUORODOS

Atliekų pašalinimo greitis šlifuojant ir paviršiaus apdaila iš esmės priklauso nuo pasirinktos šlifavimo juostos ir iš anksto pasirinkto juostos greičio. Kuo didesnis juostos greitis, tuo greičiau pašalinamos drožlės ir smulkesnis šlifavimo paviršius.

Tik nepriekaištingi abrazyviniai diržai užtikrina gerą šlifavimo efektyvumą ir apsaugo elektrinį įrankį. Jei įmanoma, dirbkite su maža prispaudimo jėga tam, kad pailgintumėte šlifavimo juostų tarnavimo laiką. Elektrinio įrankio masės pakanka geriems šlifavimo rezultatams pasiekti. Pernelyg padidinus spaudimą, šlifavimo efektyvumas nepagerėja, tačiau dėl to labiau dėvėsi elektrinis įrankis ir šlifavimo juosta.

Padėkite įjungtą elektrinį įrankį ant apdirbamo paviršiaus. Dirbkite vidutiniu padavimo greičiu ir įrankį apdirbamu ruošinio paviršiumi veskite lygiagrečiai ir persidengiant šlifavimo takams. Smėliuokite grūdėlių kryptimi, šlifuojant skersai sukeliama nepageidaujami šlifavimo efektai.

Ypač šlifuojant dažų likučius, jie gali išsilydyti ir ištepti medžiagos paviršių bei šlifavimo juosta. Todėl dirbkite nusiurbdami dulkes.

Šlifavimo juosta, su kuria jau buvo apdorotas metalas, neturėtų būti naudojamas kitoms medžiagoms.

Abrazyvinius diržus laikykite tik pakabintus ir nelenkite, kitaip jie taps netinkami naudoti.

Išankstinis diržo greičio pasirinkimas

Reikiamas diržo greitis priklauso nuo medžiagos ir darbo sąlygų bei gali būti nustatytas atliekant praktinius bandymus.

VALYMAS

Įrenginio vėdinimo angos visada turi būti švarios.

TECHNINIS APTARNAVIMAS

Naudokite tik „Milwaukee“ priedus ir „Milwaukee“ atsargines dalis. Dalis, kurių keitimas neaprašytas, leidžiama keisti tik „Milwaukee“ klientų aptarnavimo skyriams (žr. garantiją/klientų aptarnavimo skyrių adresus brošiūroje).

Jei reikia, nurodant įrenginio tipą bei specifikačių lentelėje esantį numerį, iš klientų aptarnavimo skyriaus arba tiesiai iš Techtron Industries GmbH, Max-Eyth-Strasse 10, 71364 Winnenden, Germany, galima užsisakyti prietaiso surinkimo brėžinius.

SIMBOLIAI

	Prieš pradėdami dirbti su prietaisu, atidžiai perskaitykite jo naudojimo instrukciją.
	DĖMESIO! ĮSPĖJIMAS! PAVOJUS!
	Prieš atlikdami bet kokius darbus įrenginyje, išimkite keičiamą akumuliatorių.
	Dirbdami su įrenginiu visada nešiokite apsauginius akinius.
	Dėvėti tinkamą apsauginę kaukę nuo dulkių.
	Sukimosi kryptis
	Priedas – neįeina į tiekimo komplektaciją, rekomenduojamas papildymas iš priedų asortimento.
	Elektros prietaisų, baterijų/akumuliatorių šalinti kartu su buitinėmis atliekomis negalima. Elektros prietaisus ir akumuliatorius reikia surinkti atskirai ir atiduoti perdirbimo įmonei, kad būtų pašalinti aplinkai saugiu būdu. Vietos valdžios institucijose arba specializuotose prekybos vietose pasidomėkite apie perdirbimo ir surinkimo centrus.
n_0	Juostos greitis, Tuščia eiga
v	Įtampa
	Nuolatinė srovė
	Europos atitikties ženklas
	Britanijos atitikties ženklas
	Ukrainos atitikties ženklas
	Eurazijos atitikties ženklas

TEHNILISED ANDMED	M12 FBFL10	M12 FBFL13
Konstruksioon	Lintviil	Lintviil
Tootmisnumber	4919 22 01 XXXXXX MJJJJ	4919 32 01 XXXXXX MJJJJ
Vahetatava aku pinge	12 V =	12 V =
Lindi kiirus, suur kiirus	0 - 18,2 m/s	0 - 18,2 m/s
Lindi kiirus, väike kiirus	0 - 9,1 m/s	0 - 9,1 m/s
Lai liint	10 mm / 3/8"	13 mm / 1/2"
Lindi pikkus	330 mm / 13"	457 mm / 18"
Kaal vastavalt EPTA-protseduurile 01/2014 (Li-Ion 2,0 Ah ... 6,0 Ah)	1,0 ... 1,2 kg	1,1 ... 1,3 kg
Soovituslik keskkonna temperatuur töötamiseks	-18 ... +50 °C	-18 ... +50 °C
Soovituslikud akupakid	M12B...	M12B...
Soovituslik laadija	C12C; M12-18...; M12C4; M12TC	C12C; M12-18...; M12C4; M12TC
Müra andmed Mõõteväärtused on kindlaks tehtud vastavalt normile EN 62841. Seadme tüüpiline hinnanguline (müratase):		
Helirõhutase / Määramatus K	70 dB (A) / 3 dB (A)	68 dB (A) / 3 dB (A)
Helivõimsuse tase / Määramatus K	81 dB (A) / 3 dB (A)	79 dB (A) / 3 dB (A)
Kandke kaitseks kõrvaklappe!		
Vibratsiooni andmed Vibratsiooni koguväärtus (kolme suuna vektorsummõõdetud EN 62841 järgi..)		
Vibratsiooni emissiooni väärtus a_h / Määramatus K	2,16 m/s ² / 1,5 m/s ²	1,69 m/s ² / 1,5 m/s ²

▲ TÄHELEPANU!

Sellel teabelehel toodud vibratsiooni- ja müraemissioon on mõõdetud standardis EN 62841 kirjeldatud standarditud testiga ning seda võib kasutada tööriistade omavaheliseks võrdlemiseks. Testi võib kasutada kokkupuute esialgseks hindamiseks. Deklareeritud vibratsiooni- ja müratase puudutab tööriista põhikasutus. Kui tööriista kasutatakse muuks otstarbeks, teistsuguste tarvikutega või tööriista hooldatakse halvasti, võivad vibratsioon ja müraemissioon erineda. See võib kokkupuutetaset kogu tööajal oluliselt suurendada. Vibratsiooni ja müraga kokkupuute hinnanguise taseme juures tuleb arvesse võtta ka aega, kui tööriist on välja lülitatud või töötab, kuid sellega ei tehta tööd. See võib kokkupuutetaset kogu tööaja kohta oluliselt vähendada. Tehke kindlaks täiendavad ohutusmeetmed operaatore kaitsmiseks vibratsiooni ja/või müra eest, näiteks: hooldage tööriista ja tarvikuid, hoidke käed soojas, vaadake üle töökorraldus.

▲ TÄHELEPANU! Lugege kõik seadmega kaasas olevad ohutusjuhised, juhendid, joonised ja andmed läbi. Järgnevalt toodud juhiste eiramise tagajärjeks võib olla elektrilöök, tulekahju ja/või raskek vigastused.

Hoidke kõik ohutusnõuded ja juhised edasiseks kasutamiseks hoolikalt alles.

OHUTUSJUHISED LIHVIJATELE

Pinnakatete, nagu polüuretaanid, linaseemneõli jms lihvimise käigus kogunenud lihvimitolm võib tolmuimejakotis või mujal süttida ja tulekahju põhjustada. Tuleohtu vähendamiseks tühjendage lihvimise ajal tolmuimejakotti sagedasti (10–15 minuti järel) ning ärge kunagi hoiustage ega jätke lihvijat seisma, eelnevalt tolmuimejakotti täielikult tühjendamata. Järgige ka pinnakatete tootjate soovitusi.

EDASISED OHUTUS- JA TÖÖJUHISED

Kandke isikukaitsevahendeid ja alati kaitseprille. Isikukaitsevahendite, näiteks tolmu maski, libisemiskindlate turvajalatsite, kaitsekiivri või kuulmiskaitsevahendite kandmine – sõltuvalt elektrilise tööriista tüübist ja kasutusala – vähendab vigastuste ohtu. Töö ajal tekkiv tolm on sageli tervistkahjustav ning ei tohiks sattuda organismi. Kanda sobivat kaitsemaski. Töödelda ei tohi materjale, millest lähtub oht tervisele (nt asbest). Palun lülitage seade rakendustööriista blokeerumise korral kohe välja! Ärge lülitage seadet sisse tagasi, kuni rakendustööriist on blokeeritud; seejuures võib kõrge reaktsioonimomendiga tagasilöökk tekkida. Tehke ohutusjuhiseid arvesse võttes kindlaks ja kõrvaldage rakendustööriista blokeerumise põhjus.

Võimalikud põhjused võivad olla järgmised:

- viltu asetumine töödeldavas toorikus
- Töödeldava materjali läbipuurimine
- elektritööriista ülekoormamine

Ärge sisestage jäsemeid töötavasse masinasse.

Kasutatav tööriist on teravate servadega ja võib kasutamise ajal muutuda kuumaks.

HOIATUS! Lõike- ja põletusohu

- kasutatavate tööriistade käsitsemisel

- seadme ärapanemisel

Kandke kasutatavate tööriistade käsitsemise ajal kaitsekindaid.

Puru ega pilpaid ei tohi eemaldada masina töötamise ajal.

Seina, lae või põranda tööde puhul pidage silmas elektrijuhtmeid, gaasi- ja veetorusid.

Kinnitage toorik kinnipingutusseadise. Kinnitamata toorikud võivad raskeid vigastusi ja kahjustusi põhjustada.

Eemaldage akupakk enne seadme reguleerimist, puhastamist ja hooldust.

TÄHELEPANU! Lühisest põhjustatud tuleohtu, vigastuste või toote kahjustuste vältimiseks ärge kaske tööriista, vahetusakut ega laadimiseadet vedelikku ning jälgige, et vedelikke ei tungiks seadmetesse ega akusse. Korrodeeruvad või elektrit juhtivad vedelikud, nagu soolvesi, teatud kemikaalid ja pleegitusained või pleegitusained sisaldavad tooted, võivad põhjustada lühisid.

Ärge avage vahetatavaid akusid ega laadijaid ning ladustage neid ainult kuivades ruumides. Kaitske niiskuse eest.

Laadige süsteemi M12 vahetatavaid akusid ainult süsteemi M12 laadijatega. Ärge laadige nendega teiste süsteemide akusid.

KASUTAMINE VASTAVALT OTSTARBELE

Lintlihvijat saab kasutada puidu, plasti, metalli, täite- ja värvipindade lihvimiseks.

Antud masin sobib ainult kuivlihvimiseks!

Ärge kasutage toodet viisidel, mida ei ole toodud kasutusotstarbe peatükis.

JÄÄKOHUD

Jääkohud ei ole välistatud ka otstarbekohase kasutamise korral. Kasutamisel võivad tekkida järgmised ohud, millele kasutaja peab erilist tähelepanu pöörama:

- Vibratsioonist põhjustatud vigastused. Hoidke seadet selleks ette nähtud käepidemetest ja piirake töö- ning toimeaega.
- Mürasaaste võib põhjustada kuulmekahjustusi. Kandke kuulmekaitset ja piirake toimeaega.
- Mustuseosakestest põhjustatud silmavigastused. Kandke alati kaitseprille, vastupidavaid pikki pükse, kindaid ning tugevaid jalatseid.
- Mürgiste tolmude sissehingamine

LIITIUMIOONAKUDE JUHISED

Liitiumioonakude kasutus

Pikemat aega mittekasutatud akusid laadige veel enne kasutamist.

Temperatuur üle 50 °C vähendab vahetatava aku töövõimet. Vältige pikemat soojenemist päikese või kütteseadme mõjul. Hoidke laadija ja vahetatava aku ühenduskontaktid puhtad.

Optimaalse patarei eluea tagamiseks, pärast kasutamist lae patareiplokk täielikult.

Akud tuleks võimalikult pika kasutusea saavutamiseks pärast täislaadimist laadijast välja võtta.

Aku ladustamisel üle 30 päeva:

Hoidke akupakki kohas, kus temperatuur on alla 27 °C, ja niiskusest eemal

Ladustage akut u 30-50% laetusseisundis.

Laadige aku iga 6 kuu tagant täis.

Liitiumioonakude ülekoormuskaitse

Aku ülekoormamisel kõrge voolutarbimisega, nt puuri blokeerumisel, lühise tekkimisel või ülikõrgetel pööretel, vibreerib elektritööriist 5 sekundit, laadimistuli vilgub ja tööriist lülitub automaatselt välja.

Uuesti sisse lülitamiseks tuleb päästik esmalt vabastada ning seejärel uuesti alla suruda. Ülisuurel koormusel võib aku kuumeneda kõrgete temperatuurideni. Sellisel juhul vilguvad kõik laadimistulukesed kuni aku jahtumiseni. Peale laadimistulukeste kustumist võite tööd jätkata.

Liitiumioonakude transportimine

Liitiumioonakud on allutatud ohtlike ainete transportimisega seonduvatele õigusaktidele.

Nende akude transportimine peab toimuma kohalikest, siseriiklikest ja rahvusvahelistest eeskirjadest ning määrustest kinni pidades.

Tarbijad tohivad neid akusid edasiste piiranguteta tänaval transportida.

Liitiumioonakude komertstransport ekspedeerimisettevõtete kaudu on allutatud ohtlike ainete transportimisega seonduvatele õigusaktidele. Tarne-ettevalmistusi ja transporti tohivad teostada eranditult vastavalt koolitatud isikud. Kogu protsessi tuleb asjatundlikult jälgida.

Akude transportimisel tuleb järgida järgmisi punkte:

Tehke kindlaks, et kontaktid on lühiste vältimiseks kaitstud ja isoleeritud.

Pöörake tähelepanu sellele, et akupakk ei saaks pakendis nihkuda. Kahjustatud või välja voolanud akusid ei tohi kasutada. Pöörduge edasiste juhiste saamiseks ekspedeerimisettevõtte poole.

TÖÖJUHISED

Varu eemaldamise kiirus lihvimisel ja pinnaviimistlus sõltub sisuliselt lihvimislindi valikust ja lindi eelvalitud kiirusest. Mida suurem on lindi kiirus, seda suurem on varu eemaldamine ja seda peenem on lihvimispind.

Ainult veatud abrasiivlindid tagavad hea lihvimise ja kaitsevaid elektritööriista. Võimalusel töötage madala kontaktisurvega, et pikendada lihvimislindide kasutusiga. Elektritööriista tühimass on piisav hea lihvimisvõime tagamiseks. Liigne kontaktisurve suurendamine ei too kaasa lihvimistõhususe suurenemist, vaid elektritööriista ja lihvimislindi suuremat kulumist.

Asetage sisselülitatud elektritööriista töödeldavale pinnale. Töötage mõõduka söötismääraga ja viige lihvimisprotsess läbi lihvimisradadega paralleelselt ja kattudes. Lihvige tera suunas, ristuvad lihvimisjäljed põhjustavad häirivaid lihvimiseffekte.

Eriti värvijääkide maha lihvimisel võivad need sulada ja määrada materjali pinda ja lihvimislinti. Seetõttu töötage tolmueemaldusega.

Lihvimislinti, millega on juba metalli töödeldud, ei tohi kasutada muude materjalide jaoks.

Hoidke abrasiivseid rihmasid ainult rippuv asendis ja ärge painutage neid, vastasel juhul muutuvad need kasutuskõlbmatuks.

Eelvalige rihma kiirus

Nõutav rihma kiirus sõltub materjalist ja töötingimustest ning seda saab määrata praktiliste testidega.

PUHASTAMINE




Hoidke masina õhutuspilud alati puhtad.

HOOLDUS

Kasutage ainult Milwaukee tarvikuid ja Milwaukee tagavaraosi. Detailid, mille väljavahetamist pole kirjeldatud, laske välja vahetada Milwaukee klienditeeninduspunktis (vaadake brošüüri garantii / klienditeeninduste aadressid).

Vajaduse korral võite tellida seadme läbilõikejoonise, näidates ära masina tüübi ja andmesildil oleva numbriga. Selleks pöörduge klienditeeninduspunkti või otse: Techtronic Industries GmbH, Max-Eyth-Straße 10, 71364 Winnenden, Germany.

SÜMBOLID

	Palun lugege enne käikulaskmist kasutusjuhend hoolikalt läbi.
	ETTEVAATUST! TÄHELEPANU! OHUD!
	Enne kõiki töid masina kallal võtke vahetatav aku välja.
	Masinaga töötades kandke alati kaitseprille.
	Kanda sobivat kaitsemaski.
	Pöörlemissuund
	Tarvikud - ei kuulu tarne komplekti, soovitatav täiendus on saadaval tarvikute programmis.
	Elektriseadmeid, patareisid/akusid ei tohi utiliseerida koos majapidamisprüügiga. Elektriseadmed ja akud tuleb eraldi kokku koguda ning kõrvaldada keskkonnasõbralikul moel töötlemiskeskusesse. Küsige infot jäätmekäitlusjaamade ja kogumispunktide kohta oma kohalike ametnike või edasimüüja käest.
n_0	Lindi kiirus, Tühijooks
V	Voltaaž
	Alalisvool
	Euroopa vastavusmärk
	Ühendkuningriigi vastavusmärk
	Ukraina vastavusmärk
	Euraasia vastavusmärk

ТЕХНИЧЕСКИЕ ДАННЫЕ	M12 FBFL10	M12 FBFL13
Модель	Истончение ремешка	Истончение ремешка
Серийный номер изделия	4919 22 01 XXXXXX MJJJJ	4919 32 01 XXXXXX MJJJJ
Вольтаж аккумулятора	12 V \approx	12 V \approx
Скорость ленты, высокая скорость	0 - 18,5 m/s	0 - 18,4 m/s
Скорость ленты, низкая скорость	0 - 9,2 m/s	0 - 9,3 m/s
Широкий ремешок	10 mm / 3/8"	13 mm / 1/2"
Длина ленты	330 mm / 13"	457 mm / 18"
Вес согласно процедуре EPTA 01/2014 (Li-Ion 2,0 Ah ... 6,0 Ah)	1,0 ... 1,2 kg	1,1 ... 1,3 kg
Температура окружающей среды, рекомендованная для эксплуатации	-18 ... +50 °C	-18 ... +50 °C
Рекомендованные аккумуляторные блоки	M12B...	M12B...
Рекомендованные зарядные устройства	C12C; M12-18...; M12C4; M12TC	C12C; M12-18...; M12C4; M12TC
Информация по шумам Значения замерялись в соответствии со стандартом EN 62841. Уровень шума прибора, определенный по показателю A, обычно составляет:		
Уровень звукового давления / Небезопасность K	70 dB (A) / 3 dB (A)	68 dB (A) / 3 dB (A)
Уровень звуковой мощности / Небезопасность K	81 dB (A) / 3 dB (A)	79 dB (A) / 3 dB (A)
Пользуйтесь приспособлениями для защиты слуха.		
Информация по вибрации Общие значения вибрации (векторная сумма трех направлений) определены в соответствии с EN 62841.	2,16 m/s ² / 1,5 m/s ²	1,69 m/s ² / 1,5 m/s ²
Значение вибрационной эмиссии a _h / Небезопасность K		

ВНИМАНИЕ!

Заявленные значения вибрации и шумового излучения, указанные в настоящем информационном листе, были измерены согласно стандартизированному методу испытания согласно EN 62841 и могут использоваться для сравнения одного инструмента с другим. Они могут применяться для предварительной оценки воздействия на организм человека.

Указанные значения вибрации и шумового излучения действительны для основных областей применения инструмента. Однако если инструмент используется в других областях применения или с другими принадлежностями либо проходит ненадлежащее обслуживание, значения вибрации и шумового излучения могут отличаться. Это может существенно увеличить уровень воздействия на организм на протяжении общего периода работы.

При оценке уровня воздействия вибрации и шумового излучения на организм также необходимо учитывать периоды, когда инструмент выключен, или когда он работает, но фактически не используется для выполнения работы. Это может существенно сократить уровень воздействия на организм на протяжении общего периода работы.

Определите дополнительные меры для защиты оператора от воздействия вибрации и/или шума, такие как обслуживание инструмента и его принадлежностей, сохранение рук в тепле, организация графиков работы.

ВНИМАНИЕ! Ознакомьтесь с правилами техники безопасности, техническими регламентами, изображениями и данными, прилагаемыми к устройству. При несоблюдении нижеследующих указаний возможно поражение электротоком, возникновение пожара и/или получение серьезных травм.

Сохраняйте эти инструкции и указания для будущего использования.

ИНСТРУКЦИЯ ПО БЕЗОПАСНОЙ ЭКСПЛУАТАЦИИ ШЛИФОВАЛЬНЫХ ИНСТРУМЕНТОВ

Пыль, образовавшаяся от шлифования покрытий из полиуретанов, льняной олифы и других материалов, может самовоспламениться в пылесборном мешке пылесоса или в другом месте и вызвать возгорание. Для снижения риска возгорания во время шлифования следует регулярно (через каждые 10–15 минут) опорожнять пылесборный мешок пылесоса и ни в коем случае не хранить и не оставлять пылесос с неполностью опорожненным пылесборным мешком. Также необходимо выполнять рекомендации производителей покрытий.

ДОПОЛНИТЕЛЬНЫЕ УКАЗАНИЯ ПО БЕЗОПАСНОСТИ И РАБОТЕ

б) Применяйте средства индивидуальной защиты и всегда защитные очки. Использование средств индивидуальной защиты, как то, защитной маски. Обувь на нескользящей подошве, защитного шлема или средств защиты органов слуха в зависимости от вида работы электроинструмента снижает риск получения травм.

Пыль, возникающая при работе данным инструментом, может нанести вред здоровью. Не следует допускать её попадания в организм. Надевайте противопылевой респиратор. Запрещается обрабатывать материалы, которые могут нанести вред здоровью (напр., асбест).

При блокировании используемого инструмента немедленно выключить прибор! Не включайте прибор до тех пор, пока используемый инструмент заблокирован, в противном случае может возникнуть отдача с высоким реактивным моментом. Определите и устраните причину блокирования используемого инструмента с учетом указаний по безопасности.

Возможные причины:

- перекос заготовки, подлежащей обработке
- разрушение материала, подлежащего обработке;
- перегрузка электроинструмента

Не прикасаться к работающему станку.

Вставной инструмент имеет острые края и может нагреваться во время применения.

ПРЕДУПРЕЖДЕНИЕ! Опасность порезов и ожогов

- при обращении с вставными инструментами

- при укладывании прибора

При работе со вставными инструментами надевайте защитные перчатки.

Не убирайте опилки и обломки при включенном инструменте.

При работе в стенах, потолках или полу следите за тем, чтобы не повредить электрические кабели или водопроводные трубы.

Зафиксируйте вашу заготовку с помощью зажимного приспособления. Незафиксированные заготовки могут привести к тяжелым травмам и повреждениям.

Перед началом любых работ по настройке, очистке или техническому обслуживанию устройства извлеките аккумулятор.

ВНИМАНИЕ! Для предотвращения опасности пожара в результате короткого замыкания, травм и повреждения изделия не опускайте инструмент, сменный аккумулятор или зарядное устройство в жидкости и не допускайте попадания жидкости внутрь устройства или аккумуляторов. Коррозионные и проводящие жидкости, такие как соленый раствор, определенные химикаты, отбеливающие средства или содержащие их продукты, могут привести к короткому замыканию.

Никогда не вскрывайте аккумуляторы или зарядные устройства и храните их только в сухих помещениях. Следите, чтобы они всегда были сухими.

Для зарядки аккумуляторов модели M12 используйте только зарядным устройством M12. Не заряжайте аккумуляторы других систем.

ИСПОЛЬЗОВАНИЕ

Ленточный шлифовальный инструмент предназначен для шлифования деревянных, пластиковых, металлических, шпаклеванных и окрашенных поверхностей.

Этот инструмент пригоден только для сухой шлифовки.

Не используйте этот продукт для любой другой цели; используйте его только по указанному целевому назначению.

ОСТАТОЧНЫЕ ОПАСНОСТИ

Даже при надлежащем использовании нельзя исключить все остаточные риски. При использовании могут возникнуть такие опасности, на которые пользователь должен обратить особое внимание:

- Травмы вследствие вибрации. Держите прибор за предусмотренные для этого рукоятки и ограничивайте время работы и экспозиции.
- Шумовое воздействие может привести к повреждению слуха. Носите защитные наушники и ограничивайте продолжительность экспозиции.
- Травмы глаз, вызванные частицами загрязнений. Всегда надевайте защитные очки, плотные длинные брюки, рукавицы и прочную обувь.
- Вдыхание ядовитой пыли.

УКАЗАНИЯ ДЛЯ ЛИТИЙ-ИОННЫХ АККУМУЛЯТОРОВ

Использование литий-ионных аккумуляторов

Перед использованием аккумулятора, которым не пользовались некоторое время, его необходимо зарядить.

Температура свыше 50°C снижает работоспособность аккумуляторов. Избегайте продолжительного нагрева или прямого солнечного света (риск перегрева).

Контакты зарядного устройства и аккумуляторов должны содержаться в чистоте.

Для обеспечения оптимального срока службы аккумулятор необходимо полностью заряжать после использования прибора. Для достижения максимально возможного срока службы аккумулятора после зарядки следует вынимать из зарядного устройства.

При хранении аккумулятора более 30 дней:

Храните аккумуляторную батарею при температуре ниже 27°C, вдали от источников влажности

Храните аккумулятор с зарядом примерно 30% - 50%.

Каждые 6 месяцев аккумулятор следует заряжать.

Защита литий-ионных аккумуляторов от перегрузки

В случае перегрузки аккумулятора по причине слишком большого потребления электроэнергии, при экстремально большом крутящем моменте, внезапной остановке или коротком замыкании, электроприбор вибрирует в течение 5 секунд, загорается индикатор заряда аккумулятора и электроприбор автоматически выключается. ть работу.

Для повторного включения следует отжать кнопку включения и потом снова включиться. При слишком высоких нагрузках аккумулятор перегревается. В этом случае загораются все лампы индикатора заряда аккумулятора. Когда аккумулятор остынет и лампы погаснут – можно продолжит

Транспортировка литий-ионных аккумуляторов

Литий-ионные аккумуляторы в соответствии с предписаниями закона транспортируются как опасные грузы.

Транспортировка этих аккумуляторов должна осуществляться с соблюдением местных, национальных и международных предписаний и положений.

Эти аккумуляторы могут перевозиться по улице потребителем без дальнейших обязательств.

При коммерческой транспортировке литий-ионных аккумуляторов экспедиторскими компаниями действуют положения, касающиеся транспортировки опасных грузов. Подготовка к отправке и транспортировка должны производиться исключительно специально обученными лицами. Весь процесс должен находиться под контролем специалиста.

При транспортировке аккумуляторов необходимо соблюдать следующие пункты:

Убедитесь, что контакты защищены и изолированы во избежание короткого замыкания.

Следите за тем, чтобы аккумуляторный блок не соскользнул внутри упаковки. Транспортировка поврежденных или протекающих аккумуляторов запрещена. За дополнительными указаниями обратитесь к своему экспедитору.

УКАЗАНИЯ ПО РАБОТЕ

Скорость удаления материала при шлифовании и чистота поверхности в основном определяются выбором шлифовальной ленты и заданной скоростью. Чем выше скорость ленты, тем выше скорость удаления материала и тем тоньше обработка поверхности шлифования.

Высокое качество шлифования и защита электропроводного инструмента возможны только при условии использования абразивных лент, находящихся в безупречном состоянии. Для увеличения срока службы шлифовальных лент рекомендуется по возможности работать с низким прижимным усилием. Собственный вес электропроводного инструмента является достаточным для высокой производительности шлифования. Чрезмерное увеличение прижимного усилия приведет не к повышению производительности шлифования, а к чрезмерному износу электропроводного инструмента и шлифовальной ленты.

Поместите включенный электропроводный инструмент на обрабатываемую поверхность. Работайте с умеренной скоростью подачи и выполняйте процесс шлифования параллельными полосами внахлест. Шлифуйте в направлении волокон, попеременное шлифование приведет к нежелательным результатам.

В частности, при шлифовании остатков краски они могут расплавиться и загрязнить поверхность материала

и шлифовальную ленту. Поэтому следует работать с пылеудалением.

Шлифовальную ленту, которая использовалась для обработки металла, нельзя использовать для обработки других материалов.

Храните абразивные ленты только в подвешенном состоянии и не сгибайте их, иначе они придут в негодность.

Предварительный выбор скорости ленты

Устанавливайте скорость ленты в зависимости от материала и условий работы; ее можно определить опытным путем.

СТИРКА

Всегда держите охлаждающие отверстия чистыми.

ОБСЛУЖИВАНИЕ

Пользуйтесь аксессуарами и запасными частями Milwaukee. В случае возникновения необходимости в замене, которая не была описана, обращайтесь в один из сервисных центров по обслуживанию электроинструментов Milwaukee (см. список сервисных организаций).

При необходимости может быть заказан чертеж инструмента с трехмерным изображением деталей. Пожалуйста, укажите номер и тип инструмента и закажите чертеж у Ваших местных агентов или непосредственно у Techtronic Industries GmbH, Max-Eyth-Straße 10, 71364 Winnenden, Germany.

СИМВОЛЫ

	Пожалуйста, внимательно прочтите инструкцию по использованию перед началом любых операций с инструментом.
	ВНИМАНИЕ! ПРЕДУПРЕЖДЕНИЕ! ОПАСНОСТЬ!
	Выньте аккумулятор из машины перед проведением с ней каких-либо манипуляций.
	При работе с инструментом всегда надевайте защитные очки.
	Надевайте противопылевой респиратор.
	Направление вращения
	Принадлежности - В стандартную комплектацию не входит, поставляется в качестве дополнительной принадлежности.
	Электроприборы, батареи/аккумуляторы запрещено утилизировать вместе с бытовым мусором. Электрические приборы и аккумуляторы следует собирать отдельно и сдавать в специализированную компанию для утилизации в соответствии с нормами охраны окружающей среды. Получите в местных органах власти или у вашего специализированного дилера сведения о центрах вторичной переработки и пунктах сбора.
n_0	Скорость ленты, без нагрузки
V	Напряжение
	Постоянный ток
	Европейский знак соответствия
	Британский знак соответствия
	Украинский знак соответствия
	Евразийский знак соответствия

ТЕХНИЧЕСКИ ДАННИ

	M12 FBFL10	M12 FBFL13
Тип	Лентова пила	Лентова пила
Производствен номер	4919 22 01 XXXXXX MJJJJ	4919 32 01 XXXXXX MJJJJ
Напряжение на аккумулятора	12 V \approx	12 V \approx
Скорост на лентата, висока скорост	0 - 18,5 m/s	0 - 18,4 m/s
Скорост на лентата, ниска скорост	0 - 9,2 m/s	0 - 9,3 m/s
Широка лента	10 mm / 3/8"	13 mm / 1/2"
Дължина на лентата	330 mm / 13"	457 mm / 18"
Тегло съгласно процедурата EPTA 01/2014 (Li-Ion 2,0 Ah ... 6,0 Ah)	1,0 ... 1,2 kg	1,1 ... 1,3 kg
Препоръчителна температура на околната среда при експлоатация	-18 ... +50 °C	-18 ... +50 °C
Препоръчителни акумулаторни батерии	M12B...	M12B...
Препоръчителни зарядни устройства	C12C; M12-18...; M12C4; M12TC	C12C; M12-18...; M12C4; M12TC
Информация за шума Измерените стойности са получени съобразно EN 62841.		
Оцененото с A ниво на шума на уреда е съответно:		
Равнище на звуковото налягане / Несигурност K	70 dB (A) / 3 dB (A)	68 dB (A) / 3 dB (A)
Равнище на мощността на звука / Несигурност K	81 dB (A) / 3 dB (A)	79 dB (A) / 3 dB (A)
Да се носи предпазно средство за слуха!		
Информация за вибрациите Общите стойности на вибрациите (векторна сума на три посоки) са определени в съответствие с EN 62841.		
	2,16 m/s ² / 1,5 m/s ²	1,69 m/s ² / 1,5 m/s ²
Стойност на емисии на вибрациите a_h / Несигурност K		

ВНИМАНИЕ!

Посочените в настоящия информационен лист нива на вибрации и шумови емисии са измерени в съответствие със стандартизирано изпитване, предоставено в EN 62841, и могат да се използват за сравняване на един инструмент с друг. Те може също така да се използват и за предварителна оценка на излагането на вредни въздействия.

Декларираните нива на вибрации и шумови емисии се отнасят за основните приложения на инструмента. Ако обаче инструментът се използва за други приложения, с други приспособления или не се поддържа добре, нивата на вибрации и шумови емисии могат да са различни. Това може значително да повиши нивото на излагане на вредни въздействия за общата продължителност на работата.

При оценка на нивото на излагане на въздействието на вибрации и шум следва също така да се вземе предвид времето, през което инструментът е изключен или през което е включен, но не се използва. Това може значително да понижи нивото на излагане на вредни въздействия за общата продължителност на работата.

Определете допълнителни мерки за безопасност за защита на оператора от въздействието на вибрациите и/или шума, като например поддръжка на инструмента и приспособленията, поддържането на топлината на ръцете и организацията на работата.

ВНИМАНИЕ! Прочетете всички указания за безопасност, инструкции, изображенията и техническите данни, които получавате с уреда. Ако не спазвате следните указания, това може да доведе до токов удар, пожар и/или тежки наранявания. **Запазете всички указания и инструкции за безопасност за бъдещето.**

ИНСТРУКЦИИ ЗА БЕЗОПАСНОСТ ПРИ РАБОТАТА С ШЛАЙФОВЕ

Събраият от покритието на шлифовъчната повърхност прах от рода на полиуретан, ленено масло и пр. може да се самозапали в торбата за прах на прахосмукачката или на друго място и да причини пожар. За да намалите риска от пожар, докато шлифовате, изправайте торбата за прах на прахосмукачката често (на всеки 10 — 15 минути) и никога не оставяйте прахосмукачката за кратко, нито я прибирайте за съхранение, без да сте изпразнили изцяло торбата ѝ за прах. Спазвайте и препоръките на производителите на покритията.

ДОПЪЛНИТЕЛНИ УКАЗАНИЯ ЗА РАБОТА И БЕЗОПАСНОСТ

б) Използвайте лични предпазни средства и винаги носете предпазни очила. Носенето на лични предпазни средства като дихателна маска, безопасителни обувки със стабилен грайфер, защитна каска или средства за защита на слуха (антисони), намалява риска от травми.

Прахът, който се образува при работа, често е вреден за здравето и не бива да попада в тялото. Да се носи подходяща прахозащитна маска. Не е разрешена обработката на материали, които представляват опасност за здравето (напр.

азбест).

Ако използваният инструмент блокира, изключете веднага уреда! Не включвайте уреда отново, докато използваният инструмент е блокиран; това би могло да доведе до откат с висока реактивна сила. Открийте и отстранете причината за блокирането на използвания инструмент и майки в предвид инструкциите за безопасност.

Възможните причини за това могат да бъдат:

- Заклинване в обработваната част
- Пречупване на обработвания материал
- Пренатоварване на електрически инструмент

Не бъркайте в машината, докато тя работи.

Приставката е остра и може да се нагорещи по време на работа.

ПРЕДУПРЕЖДЕНИЕ! Опасност от порязване и изгаряне

- при боравене с приставките

- при оставяне на уреда

При боравенето с приставките носете предпазни ръкавици.

Стружки или отчупени парчета да не се отстраняват, докато машина работи.

При работа в стени, тавани или подове внимавайте за кабели, газопроводи и водопроводи.

Закрепете обработваната част с устройство за захващане. Незакрепени части за обработка могат да причинят сериозни наранявания и материални щети.

Преди да настройвате, почиствате и извършвате дейности по поддръжката на уреда, извадете батерията.

ВНИМАНИЕ! За да избегнете опасността от пожар, предизвикана от късо съединение, както и нараняванията и повредите на продукта, не потапяйте инструмента, сменяемата акумулаторна батерия или зарядното устройство в течности и се погрижете в уредите и акумулаторните батерии да не попадат течности. Течностите, предизвикващи корозия или провеждащи електричество, като солена вода, определени химикали, избелващи вещества или продукти, съдържащи избелващи вещества, могат да предизвикат късо съединение.

Не отваряйте акумулатори и зарядни устройства и ги съхранявайте само в сухи помещения. Пазете ги от влага.

Акумулатори от системата M12 да се зареждат само със зарядни устройства от системата M12 laden. Да не се зареждат акумулатори от други системи.

ИЗПОЛЗВАНЕ ПО ПРЕДНАЗНАЧЕНИЕ

Ремъчният шлайф може да се използва за шлифване на дърво, пластмаса, метал, пълнеж и боядисани повърхности.

Тази машина е подходяща само за сухо шлифване!

Не използвайте уреда по различен от описаните в предназначението начини.

ОСТАТЪЧНИ РИСКОВЕ

Дори при правилна употреба, остатъчните рискове не могат да бъдат изключени. При използване могат да възникнат следните опасности, за които обслужващият трябва да внимава:

- Наранявания, причинени от вибрации. Дръжте уреда за предвидените за целта ръкохватки и ограничавайте времето на работа и експозиция.
- Шумовото натоварване може да причини слухови увреждания. Носете защита за слуха и ограничете продължителността на експозицията.
- Наранявания на очите, причинени от замърсяващи частици. Винаги носете предпазни очила, здрави дълги панталони, ръкавици и стабилни обувки..
- Вдишване на отровни прахове.

УКАЗАНИЯ ЗА ЛИТИЕВО-ЙОННИ АКУМУЛАТОРНИ БАТЕРИИ

Употреба на литиево-йонни акумулаторни батерии

Акумулатори, които не са ползвани по-дълго време, преди употреба да се дозаредят.

Температура над 50°C намалява мощността на акумулатора. Да се избягва по-продължително нагряване на слънце или от отопление.

Поддържайте чисти присъединителните контакти на зарядното устройство и на акумулатора.

За оптимална продължителност на живот след употреба батериите трябва да се заредят напълно. За възможно по-дълга продължителност на живот батериите трябва да се изваждат от уреда след зареждане.

При съхранение на батериите за повече от 30 дни: Съхранявайте батерията на сухо място, при температура под 27°C.

Съхранявайте батерията при 30 до 50 % от заряда. Зареждайте батерията на всеки 6 месеца.

Защита от претоварване при литиево-йонни акумулаторни батерии

При претоварване на батерията вследствие на голямо потребление на енергия, например изключително високи въртящи моменти, внезапно спиране или късо съединение, електрическият инструмент вибрира в продължение на 5 секунди, мига индикаторът за зареждане и електрическият инструмент се изключва сам.

За да го включите повторно, освободете превключвателя и след това включете уреда. При екстремни натоварвания батерията се нагрява значително. В този случай всички светлини на индикатора за зареждане мигат дотогава, докато батерията се охладя. След изгасване на индикатора за зареждане можете да продължите работата с уреда.

Превоз на литиево-йонни батерии

Литиево-йонните батерии са предмет на законовите разпоредби за превоз на опасни товари.

Превозът на тези батерии трябва да се извършва в съответствие с местните, националните и международните разпоредби и регламенти.

Потребителите могат да превозват тези батерии по пътя без допълнителни изисквания.

Превозът на литиево-йонни батерии от транспортни компании е предмет на законовите разпоредби за превоз на опасни товари. Подготовката на превоза и самият превоз трябва да се извършват само от обучени лица. Целият процес трябва да е под професионален надзор.

Спазвайте следните изисквания при превоз на батерии:

Уверете се, че контактите са защитени и изолирани, за да се избегне късо съединение.

Уверете се, че няма опасност от разместване на батерията в опаковката. Не превозвайте повредени батерии или такива с течове. Обърнете се към Вашата транспортна компания за допълнителни инструкции.

УКАЗАНИЯ ЗА РАБОТА

Като цяло скоростта на премахване на материала и на гланциране на повърхността се определят от избрания шлифовъчен ремък и от зададената скорост на ремъка. Колкото по-висока е скоростта на ремъка, толкова по-бързо ще става премахването на материала и толкова по-фина ще бъде шлифовъчната повърхност.

Единствено безупречните абразивни ремъци имат добро качество на работа и предпазват електрическия инструмент. Ако е възможно, работете при ниско контактно налягане, за да удължите експлоатационния срок на шлифовъчните ремъци. Собственото тегло на инструмента е достатъчно за добро качество на работа. Прекомерното повишаване на контактното налягане не води до подобряване качеството на работа, а само до по-бързото износване на инструмента и на шлифовъчния ремък.

Поставете включения инструмент на повърхността, която ще обработвате. Работете с умерена скорост и се движете по шлифовъчната повърхност успоредно, като застъпвате пътеките на шлифване. Шлифвайте по посока на влакната, защото напречното шлифване може да причини неестетичен ефект.

Особено когато шлифовате остатъци от боя — те могат да се разтопят и да зацапат повърхността на материала и на шлифовъчния ремък. Затова използвайте прахосмукачка.

Не използвайте шлифовъчен ремък, с който вече сте шлифовали метал, за шлифване на други материали.

Съхранявайте абразивните ремъци само в окачено положение и не ги прегъвайте, защото в противен случай могат да станат неизползваеми.

Избор на скорост на ремъка

Необходимата скорост на ремъка зависи от материала и от работните условия и може да бъде определена чрез специални тестове.

ПОЧИСТВАНЕ









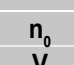




Вентилационните шлицы на машината да се поддържат винаги чисти.

ПОДДРЪЖКА

Да се използват само аксесоари на Milwaukee и резервни части на Milwaukee. Елементи, чията подмяна не е описана, да се дадат за подмяна в сервис на Milwaukee (вижте брошурата "Гаранция и адреси на сервизи").

При необходимост можете да поискате за уреда от Вашия сервис или директно от Techtronic Industries GmbH, Max-Eyth-Straße 10, 71364 Winnenden, Germany, чертеж за в случай на експлозия, като посочите типа на машината и номер върху заводската табелка.

СИМВОЛИ

	Преди пускане на уреда в действие моля прочетете внимателно инструкцията за използване.
	ВНИМАНИЕ! ПРЕДУПРЕЖДЕНИЕ! ОПАСНОСТ
	Преди започване на каквито и да е работи по машината извадете акумулатора.
	При работа с машината винаги носете предпазни очила.
	Да се носи подходяща прахозащитна маска.
	Посока на въртене
	Аксесоари - Не се съдържат в обема на доставката, препоръчвано допълнение от програмата за аксесоари.
	Електрическите уреди, батерии/акумулаторни батерии не трябва да се изхвърлят заедно с битовите отпадъци. Електрическите уреди и акумулаторни батерии трябва да се събират отделно и да се предават на службите за рециклиране на отпадъците според изискванията за опазване на околната среда. Информирайте се при местните служби или при местните специализирани търговци относно местата за събиране и центровете за рециклиране на отпадъци.
n_0	Скорост на лентата, Празен ход
V	Напрежение
	Постоянен ток
	Европейски знак за съответствие
	Британски знак за съответствие
	Украински знак за съответствие
001	
	Евро-азиатски знак за съответствие

DATE TEHNICE	M12 FBFL10	M12 FBFL13
Tip	Pilă cu bandă	Pilă cu bandă
Număr producție	4919 22 01 XXXXXX MJJJJ	4919 32 01 XXXXXX MJJJJ
Tensiune acumulator	12 V =	12 V =
Viteză curea, viteza ridicată	0 - 18,5 m/s	0 - 18,4 m/s
Viteză curea, viteza redusă	0 - 9,2 m/s	0 - 9,3 m/s
Bandă lată	10 mm / 3/8"	13 mm / 1/2"
Lungimea curea	330 mm / 13"	457 mm / 18"
Greutatea conform „EPTA procedure 01/2014” (Li-Ion 2,0 Ah ... 6,0 Ah)	1,0 ... 1,2 kg	1,1 ... 1,3 kg
Temperatură ambientală recomandată pentru funcționare	-18 ... +50 °C	-18 ... +50 °C
Seturi de baterii recomandate	M12B...	M12B...
Încărcător de baterii recomandat	C12C; M12-18...; M12C4; M12TC	C12C; M12-18...; M12C4; M12TC
Informație privind zgomotul Valori măsurate determinate conform EN 62841.		
Nivelul de zgomot evaluat cu A al aparatului este tipic de:		
Nivelul presiunii sonore / Nesiguranță K	70 dB (A) / 3 dB (A)	68 dB (A) / 3 dB (A)
Nivelul sunetului / Nesiguranță K	81 dB (A) / 3 dB (A)	79 dB (A) / 3 dB (A)
Purtați căști de protecție		
Informații privind vibrațiile Valorile totale de oscilație (suma vectorială pe trei direcții determinate conform normei EN 62841.		
Valoarea emisiei de oscilații a _h / Nesiguranță K	2,16 m/s ² / 1,5 m/s ²	1,69 m/s ² / 1,5 m/s ²

AVERTISMENT!

Nivelul vibrației și emisiei de zgomot indicat în această fișă informativă a fost măsurat în conformitate cu o metodă standard de testare specificată în EN 62841 și se poate utiliza pentru a compara dispozitivele între ele. Acesta se poate utiliza și într-o evaluare preliminară a expunerii.

Nivelul declarat al vibrației și emisiei sonore reprezintă principalele aplicații ale dispozitivului. Cu toate acestea, dacă dispozitivul este utilizat pentru aplicații diferite, cu accesorii diferite sau întreținute necorespunzător, emisia de vibrații și zgomote poate diferi. Acest lucru poate crește semnificativ nivelul expunerii pe întreaga perioadă de lucru.

O estimare a nivelului de expunere la vibrații și zgomot ar trebui să țină cont și de momentele în care dispozitivul este oprit sau când funcționează, dar nu realizează de fapt nicio lucrare. Acest lucru poate reduce semnificativ nivelul expunerii pe întreaga perioadă de lucru.

Identificați măsuri de siguranță suplimentare pentru a proteja operatorul de efectele vibrațiilor și/sau zgomotului, cum ar fi: întreținerea dispozitivului și a accesoriilor, menținerea caldă a mâinilor, organizarea modelelor de lucru.

AVERTISMENT! Citiți toate instrucțiunile de securitate, recomandările, reprezentările grafice și datele de pe care le primiți livrate împreună cu aparatul. În cazul în care nu veți respecta următoarele instrucțiuni, se poate ajunge la electrocutare, incendii și/sau răni grave.

Păstrați toate indicațiile de avertizare și instrucțiunile în vederea utilizărilor viitoare.

INSTRUCȚIUNI DE SIGURANȚĂ PENTRU ȘLEFUITOARE

Praful de șlefuire colectat la șlefuirea straturilor de acoperire a suprafețelor, cum ar fi poliuretani, uleiul de în etc. se poate autoaprinde în sacul de praf al aspiratorului sau în altă parte și poate provoca un incendiu. Pentru a reduce riscul de incendiu, goliți întotdeauna sacul de praf al aspiratorului în mod frecvent (10-15 minute) în timpul șlefuirii și nu depozitați sau lăsați niciodată un aspirator fără a-i goli complet sacul de praf. De asemenea, respectați recomandările producătorilor straturilor de acoperire.

INSTRUCȚIUNI SUPLIMENTARE DE SIGURANȚĂ ȘI DE LUCRU

Purtați echipament personal de protecție și întotdeauna ochelari de protecție. Purtarea echipamentului personal de protecție, ca masca pentru praf, încălțăminte de siguranță antiderapantă, casca de protecție sau protecția auditivă, în funcție de tipul și utilizarea sculei electrice, diminuează riscul rănilor.

Praful care apare când se lucrează cu această sculă poate fi dăunător sănătății și prin urmare nu trebuie să atingă corpul. Purtați o mască de protecție corespunzătoare împotriva prafului. Nu se admite prelucrarea unui material care poate pune în pericol sănătatea operatorului (de exemplu azbestul).

La blocarea sculei demontabile vă rugăm să deconectați imediat

aparatul! Nu conectați aparatul atâta timp cât scula demontabilă este blocată; dacă o faceți, s-ar putea să se producă un recul cu un cuplu mare de reacție. Găsiți și remediați cauza de blocare a sculei demontabile respectând indicațiile pentru siguranță.

Cauzele posibile pot fi:

- Agățarea în piesa de prelucrat
- Penetrarea completă în materialul de prelucrat
- Suprasolicitarea sculei electrice

Nu atingeți părțile fixe ale mașinii aflate în rotație.

Unealta inserată este foarte ascuțită și se poate încălzi în timpul utilizării.

AVERTIZARE! Pericol de tăieturi și arsuri

- la manevrarea uneltelor inserate
- la depunerea aparatului

La manevrarea uneltelor inserate purtați mănuși de protecție.

Rumegușul și spanul nu trebuie îndepărtate în timpul funcționării mașinii.

Când se lucrează pe pereți, tavan sau dușumea, aveți grijă să evitați cablurile electrice și țevile de gaz sau de apă.

Asigurați piesa de prelucrat cu un dispozitiv de fixare. Piese neasigurate pot provoca accidente grave și stricăciuni.

Îndepărtați blocul de baterii înainte de a începe orice lucrare de ajustare, curățare și întreținere asupra dispozitivului.

AVERTISMENT! Pentru a reduce pericolul unui incendiu și evitarea rănilor sau deteriorarea produsului în urma unui scurtcircuit nu imersați scula, acumulatorul de schimb sau încărcătorul în lichide și asigurați-vă să nu pătrundă lichide în aparate și acumulatori. Lichidele corosive sau cu conductibilitate, precum apa sărată,

anumite substanțe chimice și înălbitori sau produse ce conțin înălbitori, pot provoca un scurtcircuit.

Nu deschideți niciodată acumulatorii și încărcătoarele și pastrați-le numai în încăperi uscate. Pastrați-le întotdeauna uscate.

Folosiți numai încărcătoare System M12 pentru încărcarea acumulatorilor System M12. Nu folosiți acumulatori din alte sisteme.

CONDIȚII DE UTILIZARE SPECIFICATE

Șlefuitorul cu bandă poate fi utilizat pentru șlefuirea lemnului, plasticului, metalului, materialelor de umplură și a suprafețelor vopsite.

Această mașină este indicată numai pentru șlefuire uscată.

Nu utilizați produsul în niciun alt mod decât cel specificat în utilizare prevăzută.

RISCURI REZIDUALE

Excluderea tuturor pericolelor reziduale nu este posibilă chiar și în condiții de utilizare corectă a mașinii. În timpul utilizării pot apărea următoarele pericole, de care utilizatorul ar trebui să țină seama:

- Accidentări provocate de vibrații. Țineți aparatul de mânerule prevăzute în acest scop și reduceți timpul de lucru și de expunere.
- Poluarea fonică poate duce la vătămarea auzului. Purtați căști antifonice și reduceți durata expunerii.
- Afectiuni oculare cauzate de particulele de impurități. Purtați întotdeauna ochelari de protecție, pantaloni lungi rezistenți, mănuși și încălțăminte robustă..
- Inhalare de pulberi toxice.

INDICAȚII PENTRU ACUMULATORII LI-ION

Utilizarea acumulatorilor Li-Ion

Acumulatorii care nu au fost utilizați o perioadă de timp trebuie reîncărcați înainte de utilizare

Temperatura mai mare de 50°C (122°F) reduce performanța acumulatorului. Evitați expunerea prelungită la căldură sau radiație solară (risca de supraîncălzire)

Contactele încărcătoarelor și acumulatorilor trebuie păstrate curate.

În scopul optimizării duratei de funcționare, bateriile trebuie reîncărcate complet după utilizare.

Pentru o durată de viață cât mai lungă, acumulatorii ar trebui scoși din încărcător după încărcare.

La depozitarea acumulatorilor mai mult de 30 zile:

Depozitați blocul de baterii la temperaturi sub 27 °C și în condiții lipsite de umiditate.

Acumulatorii se depozitează la nivelul de încărcare de cca. 30%-50%.

Acumulatorii se încarcă din nou la fiecare 6 luni.

Protecție la suprasarcină la acumulatorii Li-Ion

În cazul unei suprasolicitări a acumulatorului datorită unui consum excesiv de curent electric, de ex. datorită unor momente de turație extrem de înalte, a unei opriri subite sau a unui scurt circuit, scula electrică trepidează timp de 5 secunde, indicația stării de încărcare pălpăie și scula electrică se deconectează de la sine.

Pentru reconectare dați drumul întrerupătorului și conectați din nou. În cazul unor sarcini extreme, acumulatorul se încinge prea tare. În acest caz toate lămpile indicației stării de încărcare pălpăie până când acumulatorul s-a răcit. După ce indicația stării de încărcare s-a stins se poate lucra mai departe.

Transportul acumulatorilor cu ioni de litiu

Acumulatorii cu ioni de litiu cad sub incidența prescripțiilor legale pentru transportul de mărfuri periculoase.

Transportul acestor acumulatori trebuie să se efectueze cu respectarea prescripțiilor și reglementărilor pe plan local, național și internațional.

Consumatorii le este permis transportul rutier nerestricționat al acestui tip de acumulatori.

Transportul comercial al acumulatorilor cu ioni de litiu prin intermediul firmelor de expediție și transport este supus

reglementărilor transportului de mărfuri periculoase. Pregătirile pentru expediție și transportul au voie să fie efectuate numai de către personal instruit corespunzător. Întregul proces trebuie asistat în mod competent.

Următoarele puncte trebuie avute în vedere la transportul acumulatorilor:

Pentru a se evita scurtcircuite, asigurați-vă de faptul că sunt protejate și izolate contactele.

Aveți grijă ca pachetul de acumulatori să nu poată aluneca în altă poziție în interiorul ambalajului său. Este interzis transportarea unor acumulatori deteriorați sau care pierd lichid. Pentru indicații suplimentare adresați-vă firmei de expediție și transport cu care colaborați.

INDICAȚII DE LUCRU

Capacitatea de îndepărtare a materialului în timpul șlefuirii și calitatea suprafeței sunt determinate, în mod esențial, de alegerea benzii de abrazive și de viteza preselecată a benzii. Cu cât viteza benzii este mai mare, cu atât mai mare este capacitatea de îndepărtare a materialului și suprafața șlefuită este mai fină.

Numai benzile abrazive perfecte conduc la performanțe bune de șlefuire și protejează dispozitivul electric. Dacă este posibil, lucrați cu o presiune de contact redusă pentru a mări durata de viață a benzilor abrazive. Greutatea proprie a dispozitivului electric este suficientă pentru a obține performanțe de șlefuire bune. Creșterea excesivă a presiunii de contact nu conduce la o performanță mai mare de șlefuire, ci la o uzură mai mare a dispozitivului electric și a benzii abrazive.

Așezați dispozitivul electric pornit pe suprafața care urmează să fie prelucrată. Lucrați la o viteză de avans moderată și efectuați procesul de șlefuire paralel și suprapus peste traseele de șlefuire. Șlefuiți în direcția fibrelor; șlefuirea transversală are ca rezultat efecte deranjante ale șlefuirii.

În special la șlefuirea resturilor de vopsea, acestea se pot topi și se pot lipi de suprafața materialului și a benzii abrazive. Prin urmare, lucrați cu aspirarea prafului.

O bandă abrazivă cu care a fost deja prelucrat metalul nu trebuie utilizată pentru alte materiale.

Depozitați benzile abrazive numai în poziție suspendată și nu le îndoiți, altfel acestea vor deveni inutilizabile.

Preselecția vitezei benzii

Viteza necesară a benzii depinde de material și de condițiile de lucru și poate fi determinată cu ajutorul unor teste practice.

CURĂȚARE

Fantele de aerisire ale mașinii trebuie să fie menținute libere tot timpul

ÎNȚEȚINERE

Utilizați numai accesorii și piese de schimb Milwaukee. Dacă unele din componente care nu au fost descrise trebuie înlocuite, vă rugăm contactați unul din agenții de service Milwaukee (vezi lista noastră pentru service / garanți

Dacă este necesară, se poate comanda o imagine descompusă a sculei. Vă rugăm menționați numărul art. Precum și tipul mașinii tipărit pe etichetă și comandați desenul la agenții de service locali sau direct la Techtronic Industries GmbH, Max-Eyth-Straße 10, 71364 Winnenden, Germany.

СИБОЛУРИ

	Va rugăm citiți cu atenție инструкциите înainte de pornirea mașinii
	PERICOL! AVERTIZARE! ATENȚIE!
	Îndepărtați acumulatorul înainte de începerea lucrului pe mașina
	Purtați întotdeauna ochelari de protecție când utilizați mașina.
	Purtați o mască de protecție corespunzătoare împotriva prafului.
	Direcția de rotație
	Accesorii - Nu este inclus în echipamentul standard, disponibil ca accesoriu
	Aparatele electrice, bateriile/acumulatorii nu se elimină împreună cu deșeurile menajere. Aparatele electrice și acumulatorii se colectează separat și se predau la un centru de reciclare, în vederea eliminării ecologice. Informați-vă de la autoritățile locale sau de la comercianții acreditați în legătură cu centrele de reciclare și de colectare.
n_0	Viteză curea, fără sarcină
V	Tensiune
	Curent continuu
	Marcă de conformitate europeană
	Marcă de conformitate britanică
	Marcă de conformitate ucraineană
	Marcă de conformitate eurasiatică

ТЕХНИЧКИ ПОДАТОЦИ	M12 FBFL10	M12 FBFL13
Тип на дизајн	појас мелница	појас мелница
Произведен број	4919 22 01 XXXXXX MJJJJ	4919 32 01 XXXXXX MJJJJ
Волтажа на батеријата	12 V =	12 V =
Брзина на лентестата шмиргла, голема брзина	0 - 18,5 m/s	0 - 18,4 m/s
Брзина на лентестата шмиргла, мала брзина	0 - 9,2 m/s	0 - 9,3 m/s
Ширина на ременот	10 mm / 3/8"	13 mm / 1/2"
Должина на лентата	330 mm / 13"	457 mm / 18"
Тежина според ЕПТА-процедурата 01/2014 (Li-Ion 2,0 Ah ... 6,0 Ah)	1,0 ... 1,2 kg	1,1 ... 1,3 kg
Препорачана температура на околината за работа	-18 ... +50 °C	-18 ... +50 °C
Препорачани комплекти акумулаторски батерии	M12B...	M12B...
Препорачани полначи	C12C; M12-18...; M12C4; M12TC	C12C; M12-18...; M12C4; M12TC
Информации за бучавата Измерените вредности се одредени согласно стандардот EN 62841. А-оценетото ниво на бучава на апаратот типично изнесува:		
Ниво на звучен притисок / Несигурност К	70 dB (A) / 3 dB (A)	68 dB (A) / 3 dB (A)
Ниво на јачина на звук / Несигурност К	81 dB (A) / 3 dB (A)	79 dB (A) / 3 dB (A)
Носте штитник за уши.		
Информации за вибрации Вкупни вибрациски вредности (векторски збир на трите насоки) пресметани согласно EN 62841.		
Вибрациска емисиона вредност a_{hv} / Несигурност К	2,16 m/s ² / 1,5 m/s ²	1,69 m/s ² / 1,5 m/s ²

⚠ ПРЕДУПРЕДУВАЊЕ!

Нивото на вибрации и емисија на бучава дадени во овој информативен лист се измерени во согласност со стандардизиран метод на тестирање даден во EN 62841 и може да се користат за споредување на еден електричен алат со друг. Тие исто така може да се користат при првична проценка на изложеност.

Наведеното ниво на вибрации и емисија на бучава ја претставува главната примена на алатот. Сепак ако алатот се користи за поинакви примени, со поинаков прибор или лошо се одржува, вибрациите и емисијата на бучава може да се разликуваат. Тоа може значително да го зголеми нивото на изложеност преку целиот работен период.

Проценка на нивото на изложеност на вибрации и бучава треба исто така да се земе предвид кога е исклучен алатот или кога е вклучен, но не врши никаква работа. Тоа може значително да го намали нивото на изложеност преку целиот работен период.

Утврдете дополнителни безбедносни мерки за да се заштити операторот од ефектите на вибрациите и/или бучавата како на пр.: одржувајте го алатот и приборот, рацете нека ви бидат топли, организација на работните шеми.

⚠ ПРЕДУПРЕДУВАЊЕ! Прочитајте ги сите безбедносни напомени, упатства, цртежи и податоци, коишто ги добивате заедно со уредот. Доколку не ги почитувате следните упатства, може да дојде до електричен удар, до пожар и/или до тешки повреди.

Сочувајте ги сите безбедносни упатства и инструкции за во иднина.

БЕЗБЕДНОСНИ УПАТСТВА ЗА БРУСИЛКИ

Собраниот прав од брусењето од облогите на површината за брусење како што се полиуретани, ленено масло итн. може да се самозапали во кесето од правосмукалката или на друго место и да предизвика пожар. За да го намалите ризикот од пожар, секогаш празнете го кесето од правосмукалката често (10-15 минути) додека брусите и никогаш не складирајте ја ниту оставајте ја правосмукалката без целосно да го испразните кесето од правосмукалката. Исто така, следете ги упатствата од производителите на облогите.

ОСТАНАТИ БЕЗБЕДНОСНИ И РАБОТНИ УПАТСТВА

Користете сигурносна опрема. Секогаш носете заштита за очи. Сигурносната опрема како маска против прашина, сигурносни чевли кои не се лизгаат, шлем, или заштита за ушите, користени во конкретни услови ќе ги намалат вашите повреди.

Причината која се создава при користење на овој алат може да биде штетна по здравјето. Не ја вдишувајте. Носете соодветна заштитна маска. Не смеат да бидат обработувани материјали кои што можат да го загорзат здравјето (на пр. азбест).

Доколку употребуваното орудие се блокира, молиме веднаш да се исклучи апаратот! Не го вклучувајте апаратот повторно додека употребуваното орудие е блокирано; притоа би можело

да дојде до повратен удар со висок момент на реакција. Испитајте и отстранете ја причината за блокирањето на употребеното орудие имајќи ги во предвид напомените за безбедност.

Можни причини би можеле да се:

- Заканување во парчето кое што се обработува
- кршење на материјалот што се обработува
- Преоптоварување на електричното орудие

Не фаќајте во машината кога работи.

Алатката има остри рабови и може да се загрее за време на работата.

ПРЕДУПРЕДУВАЊЕ! Опасност од исеченици и изгореници

- при ракување со алатката

- при ставање на апаратот на страна

Носете заштитни ракавици кога ракувате со алатката.

Прашината и струготините не смеат да се одстрануваат додека е машината работи.

Кога работите на сидови, таван или под внимавајте да ги избегнете електричните, гасните и водоводни инсталации.

Обезбедете го предметот кој што го обработувате со направа за напон. Необезбедени парчиња кои што се обработуваат можат да предизвикаат тешки повреди и оштетувања.

Пред да почнете со било какво подесување, чиستهње и сервисирање на уредот, извадете ја батеријата.

ПРЕДУПРЕДУВАЊЕ! За да избегнете опасноста од пожар, од наранувања или од оштетувања на производот, коишто ги создава краток спој, не ја потопувајте во течност алатката, заменливата батерија или полначот и пазете во уредите и

во батериите да не проникнуваат течности. Корозивни или електрички течности, како солена вода, одредени хемикалии, избелувачки препарати или производи кои содржат избелувачки супстанции, можат да предизвикаат краток спој.

Не ги отворајте насилно батериите и полначите, и чувајте ги само на суво место. Чувајте ги постојано суви.

Користете исклучиво Систем M12 за полнење на батерии од M12 систем. Не користете батерии од друг систем.

СПЕЦИФИЦИРАНИ УСЛОВИ НА УПОТРЕБА

Брусилката со ремен може да се користи за брусење дрво, пластика, метал, филер и обоени површини.

Машината е погодна само за суво полирање.

Не користете го производот на друг начин освен на начините за кои е наменет.

ОСТАТОЧНИ ОПАСНОСТИ

Дури и при уредна употреба на машината, не може да се исклучат сите преостанати ризици. При употребата може да настанат следните опасности, на кои операторот треба особено да внимава:

- Повреди предизвикани како последица на вибрации. Држете ја алатката за рачките предвидени за тоа и ограничете го времето на работа и експозицијата.
- Изложеноста на бучава може да доведе до оштетување на слухот. Носете заштита за ушите и ограничете го траењето на експозицијата.
- Честичките нечистотија може да предизвикаат повреди на очите. Секогаш носете заштитни очила, долги пантолони, ракавици и цврсти чевли.
- Вдишување токсични прашини.

УПАТСТВА ЗА ЛИТИУМ-ЈОНСКИ БАТЕРИИ

Употреба на литиум-јонски батерии

Батериите кои не биле користени подолго време треба да се наполнат пред употреба.

Температура повисока од 50°C (122°F) го намалуваат траењето на батериите. Избегнувајте подолго изложување на батериите на високи температури или сонце (ризик од прегревање). Клемите на полначот и батериите мора да бидат чисти.

За оптимален работен век батериите мора да се наполнат целосно по употреба.

За можно подолг век на траење, апаратите после нивното полнење треба да бидат извадени од апаратот за полнење на батериите.

Во случај на складирање на батеријата подолго од 30 дена: Чувајте го акумулаторот на температура под 27°C и подалеку од влага

Акумулаторот да се складира на приближно 30%-50% од состојбата на наполнетост.

Акумулаторот повторно да се наполни на секои 6 месеци.

Заштита од преоптоварување на батеријата за литиум-јонски батерии

При преоптеретување на батеријата како резултат на мошне висока потрошувачка на струја, на пример екстремно високи вртежни моменти, ненадејно стопирање или краток спој, електро-алатот вибрира 5 секунди, приказот за полнење трепка и електро-алатот самостојно се исклучува.

За повторно вклучување ослободете го притискачот на прекинувачот, а потоа повторно вклучете. Во случај на екстремни оптоварувања батеријата се загрева премногу. Во таков случај трепкаат сите ламбички од приказот за полнење се додека батеријата не се излади. По гасење на приказот за полнење може да се продолжи со работа.

Транспорт на литиум-јонски батерии

Литиум-јонските батерии подлежат на законските одредби за транспорт на опасни материи.

Транспортот на овие батерии мора да се врши согласно

локалните, националните и меѓународните прописи и одредби.

Потрошувачите на овие батерии може да вршат непречен патен транспорт на истите.

Комерцијалниот транспорт на литиум-јонски батерии од страна на шпедитерски претпријатија подлежат на одредбите за транспорт на опасни материи. Подготовките за шпедиција и транспорт треба да ги вршат исклучиво соодветно обучени лица. Целокупниот процес треба да биде стручно надгледуван.

При транспортот на батерии треба да се внимава на следното:

Осигурајте се дека контактите се заштитени и изолирани, а сето тоа со цел да се избегнат кратки споеви.

Внимавајте да не дојде до изместување на батериите во нивната амбалажа. Забранет е транспорт на оштетени или протечени литиум-јонски батерии. За понатамошни инструкции обратете се до Вашето шпедитерско претпријатие.

РАБОТНИ УПАТСТВА

Брзината на отстранување на материјалот за време на брусењето и завршницата на површината суштински се утврдуваат со изборот на ременот за брусење и претходно избраната брзина на ременот. Колку е поголема брзината на ременот, толку е поголемо отстранувањето на материјалот и пофина е површината за брусење.

Само беспрекорните абразивни ремени даваат добри перформанси на брусење и го штитат алатот на струја. Ако е можно, работете со мал контакт притисок за да го зголемите работниот век на ремените за брусење. Мртвата тежина на алатот на струја е доволна за добри перформанси на брусење. Прекумерното зголемување на контактниот притисок не резултира со повисоки перформанси на брусење, туку со поголемо абеење на алатот на струја и ременот за брусење.

Поставете го вклучениот алат на струја на површината што треба да се обработи. Работете со умерена брзина на механизам и извршете го процесот на брусење паралелно и со преклопување со патеките за брусење. Брусете во вертикална насока, патеките за вкрстено брусење резултираат со нарушени ефекти од брусењето.

Особено кога се брусат остатоци од боја, тие може да се стопат и да ја извалкаат површината на материјалот и ременот за брусење. Затоа, работете со извлекување на правот.

Ременот за брусење со кој веќе е обработен метал не треба да се користи за други материјали.

Складирајте ги абразивните ремени само во висечка положба и не виткајте ги, инаку ќе станат неупотребливи.

Избирање однапред на брзината на ременот

Потребната брзина на ременот зависи од материјалот и работните услови и може да се одреди со помош на практични тестови.

ЧИШЕЊА

Вентилациските отвори на машината мора да бидат комплетно отворени постојано.

ОДРЖУВАЊЕ

Користете само Milwaukee додаточи и резервни делови. Доколку некои од компонентите кои не се опишани треба да бидат заменети, Ве молиме контактирајте ги сервисните агенти на Milwaukee (консултирајте ја листата на адреси).

Доколку е потребно можно е да биде набавен детален приказ на алатот. Ве молиме наведете го бројот на артиклот како и типот на машина кој е отпечатен на етикетата и порачајте ја скицата кај локалниот застапник или директно кај: Techtronic Industries GmbH, Max-Eyth-Straße 10, 71364 Winnenden, Germany.

СИМБОЛИ

	Ве молиме пред да ја стартувате машината обрнете внимание на упатствата за употреба.
	ВНИМАНИЕ! ПРЕДУПРЕДУВАЊЕ! ОПАСНОСТ!
	Извадете го батерискиот склоп пред отпочнување на каков и да е зафат врз машината.
	Секогаш при користење на машината носете ракавици.
	Не ја вдишувајте. Носете соодветна заштитна маска.
	Насока на вртење
	Дополнителна опрема - Не е вклучена во стандардната, а достапна е како додаток.
	Електричните апарати и батериите што се полнат не смеат да се фрлат заедно со домашниот отпад. Електричните апарати и батериите треба да се собираат одделно и да се однесат во соодветниот погон заради нивно фрлање во склад со начелата за заштита на околината. Информирајте се кај Вашите местни служби или кај специјализирани трговски претставник, каде има такви погони за рециклажа и собирни станици.
n_0	Брзина на лентестата шмиргла, без оптоварување
V	Напон
	Истосмерна струја
	Европска ознака за сообразност
	Британска ознака за сообразност
	Украинска ознака за сообразност
001	
	Евроазиска ознака за сообразност

ТЕХНІЧНІ ХАРАКТЕРИСТИКИ	M12 FBFL10	M12 FBFL13
Тип конструкції	стрічкова шліфувальна машина	стрічкова шліфувальна машина
Номер виробу	4919 22 01 XXXXXX MJJJJ	4919 32 01 XXXXXX MJJJJ
Напряга знімної акумуляторної батареї	12 V =	12 V =
Швидкість стрічки, висока швидкість	0 - 18,5 m/s	0 - 18,4 m/s
Швидкість стрічки, низька швидкість	0 - 9,2 m/s	0 - 9,3 m/s
Ширина пояса	10 mm / 3/8"	13 mm / 1/2"
Довжина стрічки	330 mm / 13"	457 mm / 18"
Вага згідно з процедурою EPTA 01/2014 (Li-Ion 2,0 Ah ... 6,0 Ah)	1,0 ... 1,2 kg	1,1 ... 1,3 kg
Температура навколишнього середовища, рекомендована для експлуатації	-18 ... +50 °C	-18 ... +50 °C
Рекомендовані акумулятори	M12B...	M12B...
Рекомендовані зарядні пристрої	C12C; M12-18...; M12C4; M12TC	C12C; M12-18...; M12C4; M12TC
Інформація про шум Виміряні значення визначені згідно з EN 62841.		
Рівень шуму "A" приладу становить в типовому випадку:		
Рівень звукового тиску / похибка K =	70 dB (A) / 3 dB (A)	68 dB (A) / 3 dB (A)
Рівень звукової потужності / похибка K =	81 dB (A) / 3 dB (A)	79 dB (A) / 3 dB (A)
Використовувати засоби захисту органів слуху!		
Інформація щодо вібрації Сумарні значення вібрації (векторна сума трьох напрямків), встановлені згідно з EN 62841.		
Значення вібрації a_{h_v} / похибка K =	2,16 m/s ² / 1,5 m/s ²	1,69 m/s ² / 1,5 m/s ²

▲ ПОПЕРЕДЖЕННЯ!

Заявлені значення шумового випромінювання, вказані в цьому інформаційному аркуші, було виміряно відповідно до стандартизованого випробування згідно з EN 62841 та можуть використовуватися для порівняння одного інструмента з іншим.. Вони також можуть використовуватися для попередньої оцінки рівня впливу на організм.

Вказані значення вібрації та шумового випромінювання дійсні для основних областей застосування інструмента. Якщо інструмент використовується в інших областях застосування чи з іншим приладом або не проходить належне обслуговування, значення вібрації та шумового випромінювання можуть відрізнитися. Це може суттєво збільшити рівень впливу на організм протягом загального періоду роботи.

Під час оцінки рівня впливу вібрації та шумового випромінювання на організм також необхідно враховувати періоди, коли інструмент вимкнено, чи коли він працює, але фактично не використовується для виконання роботи. Це може суттєво знизити рівень впливу на організм протягом загального періоду роботи.

Визначте додаткові заходи для захисту оператора від впливу вібрації та/або шуму, наприклад, обслуговування інструмента та його приладдя, зберігання рук у теплі, організація графіків роботи.

▲ ПОПЕРЕДЖЕННЯ!

Ознайомтеся з усіма вказівками щодо техніки безпеки, інструкціями, ілюстраціями та відомостями, що було надано разом із приладом. Недотримання наведених далі інструкцій може спричинити ураження електричним струмом, пожежу та/або тяжкі травми.

Зберігайте всі вказівки з техніки безпеки та інструкції на майбутнє.

ІНСТРУКЦІ З ТЕХНІКИ БЕЗПЕКИ ДЛЯ ШЛІФУВАЛЬНИХ МАШИН

Зібраний пил від таких покриттів шліфувальних поверхонь, як поліуретан, лляна олія, тощо можуть самозайнятися у пілозбірному мішку пилососа або в іншому місці та спричинити пожежу. Щоб зменшити ризик пожежі, достатньо часто (кожні 10–15 хвилин) спорожніть пілозбірник пилососа під час шліфування та ніколи не зберігайте та не залишайте пилосос, не спорожнивши пілозбірник повністю. Також дотримуйтеся рекомендацій виробників відповідних покриттів.

ДОДАТКОВІ ІНСТРУКЦІ З ТЕХНІКИ БЕЗПЕКИ ТА ЕКСПЛУАТАЦІЇ

Використовувати засоби індивідуального захисту. Завжди носіть засоби для захисту очей. Засоби захисту, наприклад, респіратор, нековзне захисне взуття, каска або засіб захисту для органів слуху, використані за відповідних умов, зменшують травматизм.

Пил, що утворюється під час роботи, часто буває шкідливим для здоров'я; він не повинен потрапляти в організм. Носіть

відповідну маску для захисту від пилу. Не можна обробляти матеріали, небезпечні для здоров'я (наприклад, азбест).

При блокуванні вставного інструменту негайно вимкнути прилад! Не вмикайте прилад, якщо вставний інструмент заблокований; при цьому може виникати віддача з високим зворотнім моментом. Визначити та усунути причину блокування вставного інструменту з урахуванням вказівок з техніки безпеки.

Можливі причини:

- Перекіс в заготовці, що обробляється
- Пробивання оброблюваного матеріалу
- Перевантаження електроінструмента

Частини тіла не повинні потрапляти в машину, коли вона працює.

Робочий інструмент має гострі країки й може нагріватися під час застосування.

ПОПЕРЕДЖЕННЯ! Небезпека порізів та опіків

- під час маніпуляцій із робочими інструментами

- при відкладанні приладу

Під час маніпуляцій із робочими інструментами надавайте рукавички.

Не можна видаляти стружку або уламки, коли машина працює.

Під час роботи на стінах, стелях або підлозі звертати увагу на електричні кабелі, газів та водопровідні лінії.

Зафіксувати заготовку в затисковому пристрої. Незакріплені заготовки можуть привести до тяжких травм та пошкоджень.

Перед початком будь-яких робіт із налаштування, очищення чи

технічного обслуговування пристрою вийміть акумулятор.

ПОПЕРЕДЖЕННЯ! Для запобігання небезпеці пожежі в результаті короткого замикання, травмам і пошкодженню виробів не занурюйте інструмент, змінний акумулятор або зарядний пристрій у рідину і не допускайте потрапляння рідини всередину пристроїв або акумуляторів. Корозійні і струмопровідні рідини, такі як солоний розчин, певні хімікати, вибілювальні засоби або продукти, що їх містять, можуть призвести до короткого замикання.

Не відкривайте знімні акумуляторні батареї і зарядні пристрої та зберігати їх лише в сухих приміщеннях. Беріть від вологі.

Знімні акумуляторні батареї системи M12 заряджати лише зарядними пристроями системи M12. Не заряджати акумуляторні батареї інших системи.

ВИКОРИСТАННЯ ЗА ПРИЗНАЧЕННЯМ

Стрічкову шліфувальну машину можна використовувати для шліфування деревини, пластику, металу, шпаклівки та фарбованих поверхонь.

Ця машина призначена тільки для сухого шліфування!

Не використовуйте цей продукт для будь-якої іншої мети; використовуйте його лише згідно зі вказаним цільовим призначенням.

ЗАЛИШКОВІ НЕБЕЗПЕКИ

Навіть при належному використанні не можна виключити всі залишкові ризики. При використанні можуть виникнути такі небезпеки, на які користувач повинен звернути особливу увагу:

- Травми внаслідок вібрації. Тримайте прилад за передбачені для цього руків'я і обмежуйте час роботи та експозиції.
- Шумовий вплив може погіршити слух. Носіть захисні навушники і обмежуйте тривалість експозиції.
- Травми очей, викликані частинками забруднень. Завжди надавайте захисні окуляри, щільні довгі штани, рукавиці і міцне взуття..
- Вдихання отруйного пилу.

ВКАЗІВКИ ЩОДО ЛІТІЙ-ІОННИХ АКУМУЛЯТОРІВ

Застосування літій-іонних акумуляторів

Знімну акумуляторну батарею, що не використовувалася тривалий час, перед використанням необхідно підзарядити.

Температура понад 50 °C зменшує потужність змінної акумуляторної батареї. Уникати тривалого нагрівання сонячними променями або системою обігріву.

З'єднувальні контакти зарядного пристрою та знімної акумуляторної батареї повинні бути чистими.

Для забезпечення оптимального строку експлуатації акумуляторні батареї після використання необхідно повністю зарядити.

Для забезпечення максимально можливого терміну експлуатації акумуляторні батареї після зарядки необхідно виймати з зарядного пристрою.

При зберіганні акумуляторної батареї понад 30 днів: Зберігайте акумулятор у місці, де температура не перевищує 27°C і куди не потрапляє волога.

Зберігати акумуляторну батарею в стані зарядки приблизно 30-50 %.

Кожні 6 місяців заново заряджати акумуляторну батарею.

Захист від перевантаження літій-іонних акумуляторів

У випадку перевантаження акумуляторної батареї внаслідок дуже високого споживання струму, наприклад, надмірно високого крутильного моменту, раптової зупинки або короткого замикання, електроінструмент вібере 5 секунд, індикатор заряду блимає, електроінструмент самостійно вимикається.

Для повторного увімкнення відпустити кнопку вимикача і знов увімкнути. При надмірних навантаженнях акумуляторна батарея сильно перегрівається. В цьому випадку всі лампочки індикатора заряду блимають, доки акумуляторна батарея не охолоне. Можна продовжити роботу після того, як індикатор заряду згасне.

Транспортування літій-іонних акумуляторних батарей

Літій-іонні акумуляторні батареї піддають під законоположення про перевезення небезпечних вантажів.

Транспортування таких акумуляторних батарей повинно відбуватися із дотриманням місцевих, національних та міжнародних приписів та положень.

споживачі можуть без проблем транспортувати ці акумуляторні батареї по вулиці.

Комерційне транспортування літій-іонних акумуляторних батарей експедиторськими компаніями підпадає під положення про транспортування небезпечних вантажів. Підготовку до відправлення та транспортування можуть здійснювати виключно особи, які пройшли відповідне навчання. Весь процес повинні контролювати кваліфіковані фахівці.

При транспортуванні акумуляторних батарей необхідно дотримуватися зазначених далі пунктів:

Переконайтеся в тому, що контакти захищені та ізольовані, щоб запобігти короткому замиканню.

Слідкуйте за тим, щоб акумуляторна батарея не переміщувалася всередині упаковки. Пошкоджені акумуляторні батареї, або акумуляторні батареї, що потекли, не можна транспортувати. Для отримання подальших вказівок звертайтеся до своєї експедиторської компанії.

ВКАЗІВКИ ЩОДО ЕКСПЛУАТАЦІЇ

Швидкість видалення матеріалу під час шліфування та обробка поверхні в основному визначаються вибраною шліфувальною стрічкою та попередньо встановленою швидкістю стрічки. Що вищою є швидкість стрічки, то швидшим буде видалення матеріалу та то тоншою буде обробка шліфувальної поверхні.

Лише не пошкоджені абразивні стрічки забезпечують високу продуктивність шліфування та захищають електропривідний інструмент. Якщо можливо, притискайте інструмент із невеликим зусиллям, щоб збільшити термін служби шліфувальних стрічок. Для належного шліфування достатньо власної ваги електропривідного інструмента. Притискання з надмірним зусиллям не підвищує ефективність шліфування, але спричиняє більш швидше зношення електропривідного інструмента та шліфувальної стрічки.

Покладіть увімкнений електропривідний інструмент на оброблювану поверхню. Переміщуйте його з помірною швидкістю, виконуйте процес шліфування паралельними смугами внапуск. Шліфуйте у напрямку зернистості, шліфування уперек зернистості погіршує результат.

Зокрема, під час шліфування залишків фарби, вони можуть розплавитися та забруднити поверхню матеріалу та шліфувальну стрічку. Тому під час роботи всмоктуйте пил.

Шліфувальну стрічку, використану для обробки металу, не можна використовувати для інших матеріалів.

Зберігайте абразивні стрічки тільки у підвищеному положенні та не згинайте їх, інакше вони стануть непридатними для використання.

Попередній вибір швидкості стрічки

Необхідна швидкість стрічки залежить від матеріалу й умов роботи; її можна визначити під час практичних випробувань.

ЧИСТКА

Завжди підтримувати чистоту вентиляційних отворів.

ОБСЛУГОВУВАННЯ

Використовувати тільки комплектуючі та запчастини Milwaukee. Деталі, заміна яких не описується, замінювати тільки в відділі обслуговування клієнтів Milwaukee (зверніть увагу на брошуру "Гарантія / адреси сервісних центрів").

У разі необхідності можна запросити креслення з зображенням вузлів машини в перспективному вигляді, для цього потрібно звернутися в ваш відділ обслуговування клієнтів або безпосередньо в Techtronic Industries GmbH, Max-Eyth-Strasse 10, 71364 Winnenden, Німеччина, та вказати тип машини та шестизначний номер на фірмовій таблиці з даними машини.

СИМВОЛИ

	Уважно прочитайте інструкцію з експлуатації перед введенням приладу в дію.
	УВАГА! ПОПЕРЕДЖЕННЯ! НЕБЕЗПЕЧНО!
	Перед будь-якими роботами на приладі вийняти змінну акумуляторну батарею.
	Під час роботи з машиною завжди носити захисні окуляри.
	Носити відповідну маску для захисту від пилу.
	Напрямок обертання
	Комплектуючі - не входять в обсяг постачання, рекомендовані доповнення з програми комплектуючих.
	Електроприлади, батареї/акумулятори заборонено утилізувати разом з побутовим сміттям. Електричні прилади і акумулятори слід збирати окремо і здавати в спеціалізовану компанію для утилізації відповідно до норм охорони довкілля. Зверніться до місцевих органів або до вашого дилера, щоб отримати адреси пунктів вторинної переробки та пунктів прийому.
n_0	Швидкість стрічки, Холостий хід
v	Напруга
	Постійний струм
	Європейський знак відповідності
	Британський знак відповідності
	Український знак відповідності
	Євразійський знак відповідності

الرموز

	يرجى قراءة التعليمات بعناية قبل بدء تشغيل الجهاز.
	تنبيه! تحذير! خطر!
	انزع البطارية قبل التعامل مع الجهاز.
	ارتد دائماً نظارات الوقاية عند استخدام الجهاز.
	لا تستنشق هذه الأتربة. ارتد قناعاً واقياً من الأتربة مناسباً.
	اتجاه دوران
	الملحق - ليس مدرجاً كمعدة قياسية، متوفر كملحق.
	يحظر التخلص من الأجهزة الكهربائية والبطاريات/البطاريات القابلة للشحن في القمامة المنزلية. يجب جمع الأجهزة الكهربائية والبطاريات القابلة للشحن منفصلة وتسليمها للتخلص منها بشكل لا يضر بالبيئة لدى شركة إعادة استغلال الرجاء الاستفسار لدى الهيئات المحلية أو لدى التجار المتخصصين عن مواقع إعادة الاستغلال ومواقع الجمع.
n_0	سرعة الحزام بدون حمل
v	الجهد الكهربى
	التيار المستمر
	علامة التوافق الأوروبية
	علامة التوافق البريطانية
	علامة التوافق الأوكرانية
	علامة التوافق الأوروبية الآسيوية

إرشادات خاصة ببطاريات أيون الليثيوم القابلة للشحن

استخدام بطاريات أيون الليثيوم القابلة للشحن

يجب إعادة شحن البطارية غير المستخدمة لفترة قبل الاستخدام.
تقلل درجات الحرارة التي تتجاوز 50° سيلزيوس (122° فهرنهايت) من أداء البطارية. تجنب التعرض الزائد للحرارة أو أشعة الشمس (خطر التسخين)..
يجب الحفاظ على محتويات الشواحن و البطاريات نظيفة.
للحصول على فترة استخدام مثالية، يجب شحن البطاريات تماماً، بعد الاستخدام.
للحصول على أطول عمر ممكن للبطارية، انزع البطارية من الشاحن بمجرد شحنها تماماً.
لتخزين البطارية أكثر من 30 يوم:
خزن حزمة البطارية في مكان تقل درجة حرارته عن 27 درجة مئوية وبعيداً عن الرطوبة
خزن البطارية مشحونة بنسبة تتراوح بين 30-50 %
اشحن البطارية كالمعتاد، وذلك كل ستة أشهر من التخزين.

حماية بطاريات أيون الليثيوم القابلة للشحن من التحميل الزائد

في حالات العزم العالي، أو إعاقة الحركة أو التوقف المفاجئ، أو القصور في الدائرة الكهربائية الذي ينتج عنه سحب للفر كبير من التيار الكهربائي، ستصدر الأداة ذبذبات لمدة 5 ثوان، وسيضيء مقياس الوقود ثم تتوقف عن العمل.
لإعادة الضغط، جرر الزناد في الظروف القصوى للعمل، قد ترتفع درجة الحرارة الداخلية للبطارية ارتفاعاً شديداً. إذا حدث ذلك، سيضيء مقياس الوقود حتى تنخفض درجة حرارة البطارية. بعد انقضاء الأضواء، يمكنك متابعة العمل.

نقل بطاريات الليثيوم

تخضع بطاريات الليثيوم أيون لشروط قوانين نقل السلع الخطرة.
ويجب نقل هذه البطاريات وفقاً للأحكام والقوانين المحلية والوطنية والدولية.
يمكن للمستخدم نقل البطاريات براً دون الخضوع لشروط أخرى.
يخضع النقل التجاري لبطاريات الليثيوم أيون عن طريق الغير إلى قوانين نقل السلع الخطرة. يتعين أن يقوم أفراد مدربيون جيداً بالإعداد لعملية النقل والقيام بها بصحبة خبراء مثلهم.
متى تُنقل البطاريات:
عند التأكد من حماية أطراف توصيل البطارية وعزلها تجنباً لحدوث قصر بالدائرة.
عند التأكد من حماية حزمة البطارية من الحركة داخل صندوق التعبئة. يُرجى عدم نقل البطاريات التي بها تشققات أو تسربات. يُرجى البحث مع شركة الشحن عن نصيحة أخرى

نصائح العمل

يتم تحديد معدل الإزالة من الخامة أثناء السفرة وتشطيب الأسطح بشكل أساسي من خلال اختيار شريط السفرة وسرعة الشريط المحددة مسبقاً. كلما زادت سرعة الشريط، زاد معدل الإزالة من الخامة وزادت نعومة سطح السفرة.
فقط الأشرطة الكاشطة الخالية من العيوب هي التي تنتج أداء سفرة جيد وتحمي الأداة الكهربائية. اعمل، قدر الإمكان، بقوة ضغط تتناسب مع منقضية زيادة العمر الافتراضي لأشرطة السفرة. إذ أن الوزن الثقيل للأداة الكهربائية كاف لتوفير أداء سفرة جيد. ولا تؤدي الزيادة المفرطة في قوة ضغط التلامس إلى أداء سفرة أعلى، بل تؤدي إلى تآكل أكبر للأداة الكهربائية وشريط السفرة.
ضع الأداة الكهربائية وهي مشغلة على السطح المراد معالجته. اعمل بمعدل مناولة معتدل ونفذ عملية السفرة بشكل متواز ومتراكم على مسارات السفرة. قم بالسفرة في اتجاه التجزيع، حيث إن مسارات السفرة المتقاطعة تؤدي إلى تأثيرات سفرة مشوهة.
وعلى وجه الخصوص عند سفرة بقايا الطلاء، فإنها قد تندوب وتُلطخ سطح المادة وشريط السفرة. لذلك اعمل في ظل استخدام تجهيزة شغط للغبار.
شريط السفرة الذي تم استخدامه بالفعل في معالجة المعدن، يجب عدم استخدامه مع مواد أخرى.
خزن الأشرطة الكاشطة في وضع مُعلق فقط ولا تشبيها، وإلا فإنها ستصبح غير صالحة للاستخدام.
التحديد المسبق لسرعة الشريط
تعتمد سرعة الشريط المطلوبة على مادة الشغل المعنية وظروف العمل ويمكن تحديدها باستخدام الاختبارات العملية.

التنظيف

يجب أن تكون فتحات تهوية الجهاز نظيفة طوال الوقت.

الصيانة

استخدم فقط ملحقات ميلوكي وكذلك قطع غيار ميلوكي. إذا كانت المكونات التي يجب تغييرها غير مذكورة، يرجى الاتصال بأحد عملاء صيانة ميلوكي (انظر قائمة عناوين الضمان/الصيانة الخاصة بنا).

عند الحاجة يمكن طلب رمز انفجار الجهاز بعد ذكر طراز الآلة والرقم السداسي المذكور على بطاقة طاقة الآلة لدى جهة خدمة العملاء أو مباشرة لدى شركة Technronic Industries GmbH, Max-Eyth-Strasse 10, 71364 Winnenden ألمانيا

البيئات الفنية	M12 FBFL10	M12 FBFL13
الطراز	مطحنة الحزام	مطحنة الحزام
إنتاج عدد	4919 22 01 XXXXXX MJJJJ	4919 32 01 XXXXXX MJJJJ
فولطية البطارية	12 V =	12 V =
سرعة الحزام، العالياهوسرعه العاليه	0 - 18,5 m/s	0 - 18,4 m/s
سرعة الحزام، سرعة منخفضة	0 - 9,2 m/s	0 - 9,3 m/s
عرض الحزام	10 mm / 3/8"	13 mm / 1/2"
طول السير	330 mm / 13"	457 mm / 18"
الوزن وفقا لنهج EPTA رقم 01/2014 (Li-Ion 2,0 Ah ... 6,0 Ah)	1,0 ... 1,2 kg	1,1 ... 1,3 kg
درجة حرارة البيئة المحيطة المنصوح بها من أجل التشغيل	-18 ... +50 °C	-18 ... +50 °C
البطاريات المنصوح بها	M12B...	M12B...
جهاز الشحن المنصوح به	C12C; M12-18...; M12C4; M12TC	C12C; M12-18...; M12C4; M12TC
معلومات الضوضاء القيم التي تم قياسها محددة وفقا للمعايير الأوروبية EN 62841		
مستويات ضوضاء الجهاز ، ترجيح أ بشكل نمونجي كالتالي:		
مستوى ضغط الصوت / الارتباب في القياس	70 dB (A) / 3 dB (A)	68 dB (A) / 3 dB (A)
مستوى شدة الصوت / الارتباب في القياس	81 dB (A) / 3 dB (A)	79 dB (A) / 3 dB (A)
ارتد واقيات الأذن!		
معلومات الاهتزاز قيم الذبذبات الإجمالي (مجموع الكميات الموجبة في المحاور الثلاثة) محددة وفقا للمعايير الأوروبية EN 62841.		
قيمة انبعاث الذبذبات a_h / الارتباب في القياس	2,16 m/s ² / 1,5 m/s ²	1,69 m/s ² / 1,5 m/s ²

⚠ تحذير!

تم قياس مستوى الاهتزاز وانبعاث الضوضاء الوارد في ورقة المعلومات هذه، وفقاً لاختبار قياسي محدد في المواصفة **EN 62841**، ويمكن استخدامه لمقارنة آلة مع أخرى.. كما يمكن استخدام ذلك أيضاً في اجراء تقييم أولي للتعرض.

يمثل مستوى الاهتزاز وانبعاث الضوضاء المعلن عنه الاستخدامات الأساسية للألة. ومع ذلك، إذا استُعملت الآلة في استخدامات مختلفة، أو بملحقات مختلفة، أو تم صيانتها على نحو سيئ، فقد يختلف مستوى الاهتزاز وانبعاث الضوضاء. وهذا قد يزيد -إلى حد كبير- من مستوى التعرض خلال مدة العمل الإجمالية.

عند تقييم مستوى التعرض للاهتزاز والضوضاء، ينبغي أيضاً أن يوضع في الاعتبار فترات إطفاء الآلة أو تشغيلها دون أن تقوم بأي وظيفة فعليًا. فهذا قد يقلل إلى حد كبير - من مستوى التعرض خلال مدة العمل الإجمالية.

تعرف على تدابير السلامة الإضافية؛ لحماية المشغل من تأثيرات الاهتزاز أو الضوضاء أو كليهما، مثل: صيانة الآلة وملحقاتها، والحفاظ على دفة اليدين، وتنظيم نماذج العمل.

⚠ تحذير! اقرأ جميع تعليمات السلامة والإرشادات والشروح والبيانات المرفقة مع الجهاز.

قد يؤدي عدم مراعاة التعليمات المدرجة أدناه إلى التعرّض للإصابة بصدمة كهربية أو الحريق و/ أو إصابة خطيرة.

احتفظ بجميع التنبيهات والتعليمات للرجوع إليها مستقبلا.

تعليمات السلامة لإجهزة السفرة

غبار السفرة المجمع من طلاءات أسطح السفرة مثل البولي يوريثان وزيت بذر الكتان وخلفه، يمكن أن يشتعل ذاتياً في كيس المكنتسة الكهربائية أو في أي مكان آخر وينسبب في نشوب حريق. ولتقليل خطر نشوب حريق، احرص دائماً على تفريغ كيس المكنتسة الكهربائية بشكل متكرر (كل 10 إلى 15 دقيقة) في أثناء السفرة، ولا تقم أبداً بتخزين أو ترك المكنتسة الكهربائية دون التفريغ التام لكيس المكنتسة الكهربائية الخاصة به. واتبع كذلك توصيات الشركات المصنعة للطلاءات.

إرشادات أمان وعمل إضافية

استخدم ادوات وقاية شخصية وارتدي دائماً واقي للعين. استخدام الأدوات الواقية مثل القناع الواقي من الغبار أو أغطية الأمان ضد الإنزلاق أو القبة الواقية أو واقي السمع بما يتناسب مع الظروف يقلل من الحوادث الشخصية.

قد تكون الأثرية الناتجة عن استخدام هذه الآلة ضارة بالصحة. لا تستنشق هذه الأثرية. ارتد قناعاً واقياً من الأثرية مناسباً. لا يجوز استخدام مواد بنجم عنها أضرار على الصحة (حزير صخري).

الرجاء إيقاف تشغيل الجهاز على الفور في حالة عرقلة أداء الاستعمال! لا تقم بتشغيل الجهاز مرة أخرى، طالما أن الآداة المستعملة لازالت في حالة عرقلة؛ حيث يمكن أن يحدث هنا ارتداد عكسي مصحوب بقوة رد فعل عالية.
قم بالبحث وإزالة أسباب عرقلة أداة الاستعمال مع مراعاة تعليمات الأمان.

من المحتمل أن تكون الأسباب هي:

• أندحار في القطعة المخصصة للاستعمال

• إنكسار المواد المستخدمة.

• زيادة الحمل على الآلة الكهربائية

لا تلامس بينك الماكينة أثناء دورانها.

الأداة المستخدمة حادة الحافة وقد تصبح ساخنة أثناء الاستخدام.

تحذير! خطر إصابة بجروح وحروق

- عند التعامل مع أدوات الاستخدام

- عند وضع الجهاز

ينعين ارتداء قفازات وقاية عند استعمال أداة الاستخدام.

لا يجب إزالة النشارة والشظايا أثناء تشغيل الآلة.

عند العمل في سقف الحوائط أو الأرضية، توخ الحذر وتجنب الكابلات الكهربائية وأنابيب الغاز أو المياه.

قم بتأمين القطعة المستخدمة من المواد في تجهيزة تثبيت. القطع المستخدمة من المواد الغير مرمنة يمكن أن تسبب في إصابات وأضرار حادة.

قم بإزالة حزمة البطارية قبل بدء أية أعمال للتعديل والتنظيف والصيانة على الجهاز.

تحذير! تحذير! لتجنب أخطار الحريق أو الإصابة أو الأضرار بالمنتج التي تنجم عن الماس الكهربائي، لا تقصر الأداة أو البطارية القابلة للاستبدال أو جهاز الشحن في السوائل وأحرص على أن لا تلمس السوائل إلى داخل الجهاز والبطارية. السوائل المؤدية للتآكل أو الموصلة للتيار الكهربائي، مثل الماء المالح ومركبات كيميوية معينة ومواد التبييض أو المنتجات التي تشتمل على مواد تبيض، يمكن أن تؤدي إلى حدوث ماس كهربائي.

لا تقم أبداً بفتح قفل البطارية والشواحن ولا تخزنها إلا في غرف جافة. وحافظ عليها جاف طوال الوقت.

استخدم فقط شواحن System M12 لشحن بطاريات System M12 . لا تستخدم بطاريات من أنظمة أخرى.

شروط الاستخدام المحددة

يمكن استخدام جهاز السفرة الشريطي لغرض سفرة الخشب والبلاستيك والمعدن والحشوات والأسطح المطلية.

هذه الآلة لا تلائم إلا الرمال الجافة.

لا تستخدم المنتج بأي طريقة غير الموضحة للاستخدام المقصود.

المخاطر المتوقعة

أيضاً عند الاستخدام الصحيح لا يمكن استبعاد جميع المخاطر المتبقية. عند الاستعمال قد تنشأ المخاطر التالية التي يجب على المستخدم مراعاتها بشكل خاص.

• الإصابات الناجمة عن الاهزازات. أمسك الجهاز من المقابض المخصصة لذلك وحدد أوقات العمل وخطة العمل.

• يمكن أن تسبب الضوضاء في أضرار سمعية. لذا يرح ارتداء واقي للسمع وقم بتحديد فترة العمل.

• إصابات العين الناجمة عن جزئيات القنورات. ارتدي دائماً نظارة واقية، ونظولن طويل

• وقفازات وحذاء واقي.

• استنشاق الأثرية السامة.

EC DECLARATION OF CONFORMITY

We declare as the manufacturer under our sole responsibility that the product described under "Technical Data" fulfills all the relevant regulations and directives listed below and that the following harmonized standards have been used.

EG-KONFORMITÄTSEKLERUNG

Wir erklären als Hersteller in alleiniger Verantwortung, dass das unter „Technische Daten“ beschriebene Produkt alle nachstehend aufgeführten relevanten Verordnungen und Richtlinien erfüllt und dass die folgenden harmonisierten Normen angewandt wurden.

DÉCLARATION CE DE CONFORMITÉ

Nous déclarons en tant que fabricant et sous notre seule responsabilité, que le produit décrit dans « Données techniques » est conforme à toutes les réglementations et directives pertinentes mentionnées ci-après et que les normes harmonisées suivantes ont été appliquées.

DICHIARAZIONE CE DI CONFORMITÀ

In qualità di produttore dichiariamo sotto la nostra esclusiva responsabilità che il prodotto descritto nei "Dati tecnici" è conforme a tutti i regolamenti e tutte le direttive pertinenti elencati qui di seguito e che sono state usate le seguenti norme armonizzate.

DECLARACIÓN CE DE CONFORMIDAD

Declaramos como fabricante y bajo nuestra responsabilidad que el producto descrito bajo "Datos técnicos" está en conformidad con todos los reglamentos y directivas detallados a continuación y que se han utilizado las siguientes normas armonizadas.

DECLARAÇÃO CE DE CONFORMIDADE

Como fabricante, declaramos sob responsabilidade exclusiva, que o produto descrito sob "Dados Técnicos" corresponde com todos os regulamentos relevantes e directivas abaixo que as seguintes normas harmonizadas foram utilizadas.

EG-VERKLARING VAN OVEREENSTEMMING

Wij als fabrikant verklaren in uitsluitende verantwoording dat het onder "Technische gegevens" beschreven product aan alle onderstaand vermelde relevante verordeningen en richtlijnen voldoet en dat de volgende geharmoniseerde normen werden toegepast.

EF-OVERENSSTEMMELSESERKLÆRING

Vi erklærer som producent og eneansvarlig, at produktet, der er beskrevet under "Tekniske data", opfylder kravene i alle relevante forordninger og direktiver som nævnt nedenfor og at nedenstående harmoniserede standarder er blevet anvendt.

EF-SAMSVARSERKLÆRING

Som producent erklærer vi under eget ansvar at produktet som beskrives under « Tekniske data » opfylder alle relevante forordninger og direktiver som står opført nedenfor og at de følgende harmoniserede standarder har blitt brukt.

EG-FÖRSÄKRAN ÖVERENSSTÄMMELSE

Vi som tillverkare förklarar under eget ansvar, att den produkt som beskrivs under "Tekniska data" överensstämmer med alla de nedan angivna relevanta förordningarna och direktiven och att de följande harmoniserade normen har tillämpats.

EY-VAATIMUSTENMUKAISUUSVAKUUTUS

Vakuutamme valmistajan ominaisuudessa yksinvastuullisesti, että kohdassa "Tekniset tiedot" kuvattu tuote täyttää kaikki seuraavassa luetellut sitä koskevat asetukset ja direktiivit ja että seuraavia harmonisoituja standardeja on sovellettu.

ΑΝΑΩΣΗ ΣΥΜΜΟΡΦΩΣΗΣ ΕΚ

Ως κατασκευαστής δηλώνουμε υπεύθυνα ότι το προϊόν που περιγράφεται στο κεφάλαιο «Τεχνικά Χαρακτηριστικά», πληροί όλους τους κανονισμούς κι όλες τις οδηγίες που αναφέρονται σχετικά παρακάτω, και για το οποίο έχουν εφαρμοστεί τα ακόλουθα εναρμονισμένα πρότυπα.

AT UYGUNLUK BEYANI

Üretici sıfatıyla tek sorumlu olarak "Teknik Veriler" bölümünde tarif edilen ürünün aşağıda sıralanan bütün ilgili yönetmelik ve direktiflere uygun olduğunu ve aşağıdaki uyumlaştırılmış standartların kullanılacağını beyan etmekteyiz.

ES PROHLÁŠENÍ O SHODĚ

My jako výrobce prohlašujeme na svou vlastní odpovědnost, že produkt popsáný v části „Technické údaje“ splňuje všechna příslušná nařízení a směrnice uvedené níže a že byly použity následující harmonizované normy.

ES VYHLÁŠENIE O ZHODE

My ako výrobca vyhlasujeme na vlastnú zodpovednosť, že produkt popísaný v časti „Technické údaje“ spĺňa všetky príslušné nariadenia a smernice uvedené nižšie a že boli použité nasledujúce harmonizované normy.

DEKLARACJA ZGODNOŚCI WE

Jako producent oświadczamy na naszą wyłączną odpowiedzialność, że produkt opisany w punkcie „Dane techniczne” odpowiada wszystkim poniższym istotnym rozporządzeniom oraz dyrektywom, a także iż zastosowano poniższe zharmonizowane normy.

EK-MEGFELELŐSÉGI NYILATKOZAT

Gyártóként egyedüli felelősséggel kijelentjük, hogy a „Műszaki Adatok” alatt leírt termék megfelel a következőkben felsorolt minden releváns rendeletnek és irányelvnek, és hogy a következők harmonizált szabványok kerültek használatra.

ES-IZJAVA O SKLADNOSTI

Mi kao proizvođač izjavljujemo na osobnu odgovornost, da je proizvod, opisan pod "Tehnički podaci", sukladan sa svim relevantnim propisima i u nastavku navedenim smjernicama i harmoniziranim normativima dokumenata.

IZJAVA O SUKLADNOSTI

Mi kao proizvođač izjavljujemo na osobnu odgovornost, da proizvod opisan pod "Tehnički podaci", ispunjava sve u nastavku navedene relevantne odredbe i smjernice i da su sljedeće harmonizirane norme bile primijenjene.

EK ATBILSTĪBAS DEKLARĀCIJA

Mēs kā ražotājs un vienīgā atbildīgā persona apliecinām, ka "Tehniskajos datos" raksturotais produkts atbilst visiem attiecīgajiem noteikumiem un vadlīnijām, kas uzskaitītas turpmāk, un ka ir izmantoti šādi saskaņotie standarti.

EB ATITIKTIES DEKLARACIJA

Gamintojo vardu atsakingai pareiškiamo, kad gaminy, aprašytas skyriuje „Techniniai duomenys“, atitinka visus toliau išvardytų susijusių reglamentų, direktyvų ir darniųjų standartų taikomus reikalavimus.

EŪ VASTAVUSDEKLARATSIOON

Kinnitame tootjana ainuiskuliselt vastutades, et jaotises „Tehnilised andmed“ kirjeldatud toode on kooskõlas alpool nimetatud direktiivide asjaomaste eeskirjade ja ühtlustatud normdokumentidega ning et on kasutatud järgmisi ühtlustatud standardeid.

ДЕКЛАРАЦИЯ СООТВЕТСТВИЯ ЕС

Мы как производитель под собственную ответственность заявляем о том, что описанное в разделе «Технические характеристики» изделие отвечает всем нижеперечисленным соответствующим предписаниям и директивам и что в отношении него применяются следующие гармонизированные стандарты.

DEKLARACIJA ZA СЪОТВЕТСТВИЕ НА ЕО

В качеството си на производител декларираме на собствена отговорност, че продуктът, описан в „Технически данни“, отговаря на всички изброени по-нататък приложими регламенти и директиви и че са използвани посочените хармонизирани стандарти.

DECLARAȚIE DE CONFORMITATE CE

În calitate de producător declarăm pe propria răspundere că produsul descris la "Date tehnice" este în concordanță cu toate regulamentele și directivele relevante de mai jos și că au fost utilizate următoarele norme armonizate.

EK-DEKLARACIJA ZA SOOBRAZNOT

Kako proizvođač, izjavjuvamo pod celopisna odgovornost дека производот опишан во „Технички податоци“ подолу е во согласност со сите релевантни одредби и регулативи наведени подолу и дека се користени следниве усогласени стандарди.

ДЕКЛАРАЦИЯ ЕС ПРО ВІДПОВІДНІСТЬ

Як виробник, ми заявляємо на власну відповідальність, що виріб, описаний у розділі "Технічних даних", відповідає всім застосовним положенням директив і приписам перерахованим нижче, і що щодо нього були використані наступні гармонізовані стандарти.

إقرار المطابقة وفقاً للمواصفات الاتحاد الأوروبي
موجب هذا نعلن كشركة منتجة وعلى مسؤوليتنا المنفردة، أن المنتج الموصوف تحت "البيانات الفنية" يطابق جميع الأوامر والتوجيهات الهامة المذكورة فيما يلي وقد جرى فيها استخدام معايير التوافق التالية.

2011/65/EU (RoHS)

2014/30/EU

2006/42/EC

EN 62841-1:2015

EN 62841-2-4:2014

EN IEC 55014-1:2021

EN IEC 55014-2:2021

EN IEC 63000:2018

Winnenden, 2022-05-28

Alexander Krug
Managing Director



Authorized to compile the technical file

Bevollmächtigt die technischen Unterlagen zusammenzustellen.

Autorisé à compiler la documentation technique.

Autorizzato alla preparazione della documentazione tecnica

Autorizado para la redacción de los documentos técnicos.

Autorizado a reunir a documentação técnica.

Gemachtigd voor samenstelling van de technische documenten

Autoriseret til at udarbejde de tekniske dokumenter.

Autorisert til å utarbeide den tekniske dokumentasjonen

Befullmäktigad att sammanställa teknisk dokumentation.

Valtuutettu kokoamaan tekniset dokumentit.

Εξουσιοδοτημένος να συντάξει τον τεχνικό φάκελο.

Teknik evrakları hazırlamakla görevlendirilmiştir.

Zplnomocněn k sestavování technických podkladů.

Splnomocnený zostaviť technické podklady.

Upeinomocniony do zestawienia danych technicznych

Műszaki dokumentáció összeállításra felhatalmazva

Pooblaščen za izdelavo spisov tehnične dokumentacije.

Ovlašten za formiranje tehničke dokumentacije.

Pilnvarotais tehniskās dokumentācijas sastādītānā.

Igaliotas parengti techninius dokumentus.

On volitatud koostama tehnilist dokumentatsiooni.

Уполномочен на составление технической документации.

Упълномощен за съставяне на техническата документация

Ímputernicit sá elaboreze documentația tehnică.

Ополномоштен за составување на техничката документација.

Уповноважений из складання технічної документації.

معمتدة للمطابقة مع الملف الفني

Techtronic Industries GmbH

Max-Eyth-Straße 10

71364 Winnenden

Germany

GB-DECLARATION OF CONFORMITY

We declare as the manufacturer under our sole responsibility that the product described under "Technical Data" fulfills all the listed below relevant regulations and that the following designated standards have been used.

S.I. 2008/1597 (as amended)

S.I. 2016/1091 (as amended)

S.I. 2012/3032 (as amended)

BS EN 62841-1:2015

BS EN 62841-2-4:2014

BS EN IEC 55014-1:2021

BS EN IEC 55014-2:2021

BS EN IEC 63000:2018

Winnenden, 2022-05-28

Alexander Krug
Managing Director

Techtronic Industries GmbH

Max-Eyth-Straße 10

71364 Winnenden

Germany

Authorized to compile the technical file:

Techtronic Industries (UK) Ltd

Parkway

Marlow, SL7 1YL

UK

Copyright 2022
Techtronic Industries GmbH
Max-Eyth-Straße 10
71364 Winnenden
Germany
+49 (0) 7195-12-0
www.milwaukeeetool.eu

Techtronic Industries (UK) Ltd
Parkway
Marlow, SL7 1YL
UK

(12.22)

4931 4251 22