

# Milwaukee®

Nothing but **HEAVY DUTY**®



## M12 FDSS

Original instructions

Originalbetriebsanleitung

Notice originale

Istruzioni originali

Manual original

Oorspronkelijke gebruiksaanwijzing

Original brugsanvisning

Original bruksanvisning

Bruksanvisning i original

Alkuperäiset ohjeet

Πρωτότυπο οδηγιών χρήσης

Orijinal işletme talimatı

Původní návodem k

používání

Pôvodný návod na použitie

Instrukcją oryginalną

Eredeti használati utasítás

Izvirna navodila

Originalne pogonske upute

Instrukcijām oriģinālvalodā

Originali instrukcija

Algupärane kasutusjuhend

Оригинальное руководство по эксплуатации

Оригинално ръководство за експлоатация

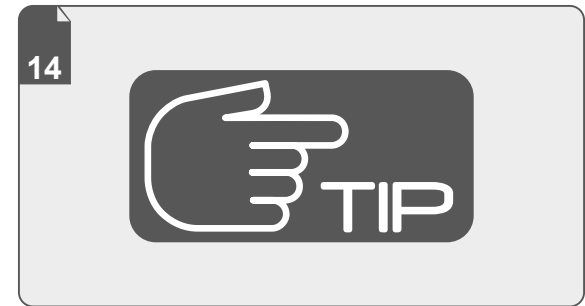
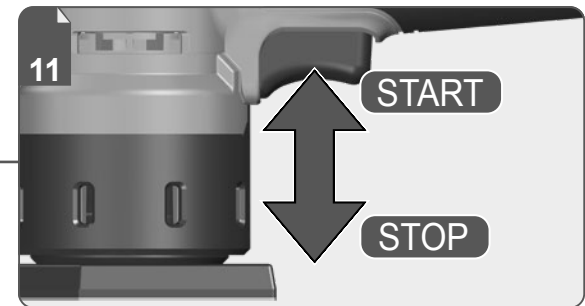
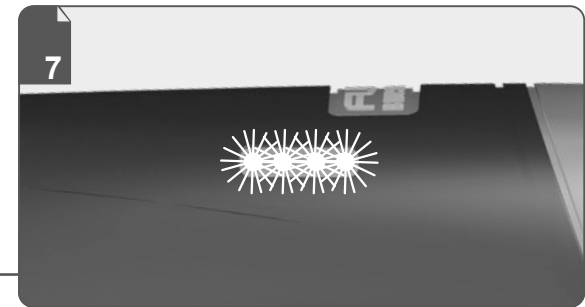
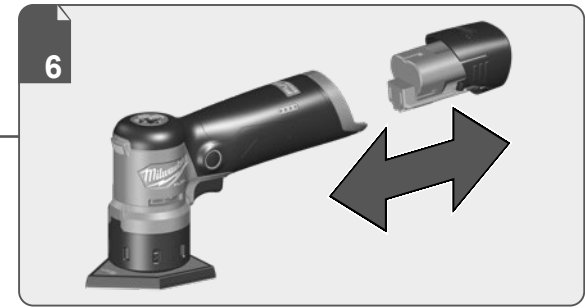
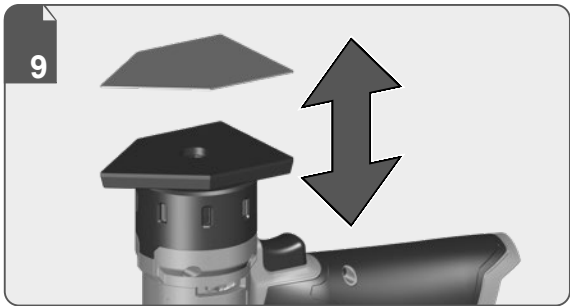
Instrucțiuni de folosire originale

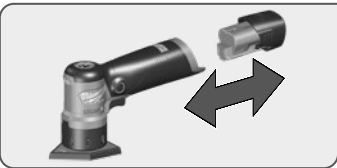
Оригинален прирачник за работа

Оригінал інструкції з експлуатації

التعليمات الأصلية

<b>ENGLISH</b>	Picture section with operating description and functional description	Page	4	Text section with Technical Data, important Safety and Working Hints and description of Symbols	Page	15
<b>DEUTSCH</b>	Bildteil mit Anwendungs- und Funktionsbeschreibungen	Seite	4	Textteil mit Technischen Daten, wichtigen Sicherheits- und Arbeitshinweisen und Erklärung der Symbole.	Seite	18
<b>FRANÇAIS</b>	Partie imagée avec description des applications et des fonctions	Page	4	Partie textuelle avec les données techniques, les consignes importantes de sécurité et de travail ainsi que l'explication des pictogrammes.	Page	21
<b>ITALIANO</b>	Sezione illustrata con descrizione dell'applicazione e delle funzioni	Pagina	4	Sezione testo con dati tecnici, importanti informazioni sulla sicurezza e sull'utilizzo, spiegazione dei simboli.	Pagina	24
<b>ESPAÑOL</b>	Sección de ilustraciones con descripción de aplicación y descripción funcional	Página	4	Sección de texto con datos técnicos, indicaciones importantes de seguridad y trabajo y explicación de los símbolos.	Página	27
<b>PORTUGUES</b>	Parte com imagens explicativas contendo descrição operacional e funcional	Página	4	Parte com texto explicativo contendo Especificações técnicas, avisos de segurança e de operação e a descrição dos símbolos.	Página	30
<b>NEDERLANDS</b>	Beeldgedeelte met toepassings- en functiebeschrijvingen	Pagina	4	Tekstgedeelte met technische gegevens, belangrijke veiligheids- en arbeidsinstructies en verklaring van de symbolen.	Pagina	33
<b>DANSK</b>	Billedel med anvendelses- og funktionsbeskrivelser	Side	4	Tekstdel med tekniske data, vigtige sikkerheds- og arbejdsanvisninger og symbolforklaring.	Side	36
<b>NORSK</b>	Billedel med bruks- og funksjonsbeskrivelse	Side	4	Tekstdel med tekniske data, viktige sikkerhets- og arbeidsinstruksjoner og forklaring av symbolene.	Side	39
<b>SVENSKA</b>	Bilddel med användnings- och funktionsbeskrivning	Sidan	4	Textdel med tekniska informationer, viktiga säkerhets- och användningsinstruktioner samt symbolförklaringar.	Sidan	42
<b>SUOMI</b>	Kuvasivut käyttö- ja toimintakuvaus	Sivu	4	Tekstisivut: tekniset tiedot, tärkeät turvallisuus- ja työskentelyohjeet sekä merkkien selitykset.	Sivu	45
<b>ΕΛΛΗΝΙΚΑ</b>	Τμήμα εικόνων με περιγραφές χρήσης και λειτουργίας	Σελίδα	4	Τμήμα κειμένου με τεχνικά χαρακτηριστικά, σημαντικές υποδείξεις ασφαλείας και εργασίας και εξήγηση των συμβόλων.	Σελίδα	48
<b>TÜRKÇE</b>	Resim bölümü Uygulama ve fonksiyon açıklamaları ile birlikte	Sayfa	4	Teknik bilgileri, önemli güvenlik ve çalışma açıklamalarını ve de sembollerin açıklamalarını içeren metin bölümü.	Sayfa	51
<b>ČESKY</b>	Obrazová část s popisem aplikací a funkcí	Stránka	4	Textová část s technickými daty, důležitými bezpečnostními a pracovními pokyny a s vysvětlivkami symbolů	Stránka	54
<b>SLOVENSKY</b>	Obrazová část s popisom aplikácií a funkcií	Stránka	4	Textová časť s technickými dátami, dôležitými bezpečnostnými a pracovnými pokynmi a s vysvetlivkami symbolov	Stránka	57
<b>POLSKI</b>	Część rysunkowa z opisami zastosowania i działania	Strona	4	Część opisowa z danymi technicznymi, ważnymi wskazówkami dotyczącymi bezpieczeństwa i pracy oraz objaśnieniami symboli.	Strona	60
<b>MAGYAR</b>	Képes részalkalmazási- és működési leírásokkal	Oldal	4	Szöveges rész műszaki adatokkal, fontos biztonsági- és munkavégzési útmutatásokkal, valamint a szimbólumok magyarázata.	Oldal	63
<b>SLOVENŠČINA</b>	Del slikez opisom uporabe in funkcij	Stran	4	Del besedila s tehničnimi podatki, pomembnimi varnostnimi opozorili in delovnimi navodili in pojasnili simbolov.	Stran	66
<b>HRVATSKI</b>	Dio sa slikama opisima primjene i funkcija	Stranica	4	Dio štiva sa tehničkim podacima, važnim sigurnosnim i radnim uputama i objašnjenjem simbola.	Stranica	69
<b>LATVISKI</b>	Attēla daļa ar lietošanas un funkciju aprakstiem	Lappuse	4	Teksta daļa ar tehniskajiem parametriem, svarīgiem drošības un darbības norādījumiem, simbolu atšifrējumiem.	Lappuse	72
<b>LIETUVIŠKAI</b>	Paveikslėlio dalis su vartojimo instrukcija ir funkcijų aprašymais	Puslapis	4	Teksto dalis su techniniais duomenimis, svarbiomis saugumo ir darbo instrukcijomis bei simbolių paaiškinimais.	Puslapis	75
<b>EESTI</b>	Pildiosa kasutusjuhendi ja funktsioonide kirjeldusega	Lehekülg	4	Tekstiosa tehniliste näitajate, oluliste ohutus- ja tööjuhenditega ning sümbolite kirjeldustega.	Lehekülg	78
<b>РУССКИЙ</b>	Раздел иллюстраций с описанием эксплуатации и функций	Страница	4	Текстовый раздел, включающий технические данные, важные рекомендации по безопасности и эксплуатации, а также описание используемых символов.	Страница	81
<b>БЪЛГАРСКИ</b>	Част със снимки с описание за приложение и функции	Страница	4	Част с текст с технически данни, важни указания за безопасност и работа и разяснение на символите.	Страница	84
<b>ROMÂNĂ</b>	Secvența de imagine cu descrierea utilizării și a funcționării	Pagina	4	Porțiune de text cu date tehnice, indicații importante privind siguranța și modul de lucru și descrierea simbolurilor.	Pagina	87
<b>МАКЕДОНСКИ</b>	Дел со сликисо описи за употреба и функционирање	Страница	4	Текстуален дел со Технички карактеристики, важни безбедносни и работни упатства и објаснување на символите.	Страница	90
<b>УКРАЇНСЬКА</b>	Частина з зображеннями з описом робіт та функцій	Сторінка	4	Текстова частина з технічними даними, важливими вказівками з техніки безпеки та експлуатації і поясненням символів.	Сторінка	93
<b>عربي</b>	قسم الصور يوجد به الوصف التشغيلي والوظيفي	الصفحة	4	القسم النصي المزود بالبيانات الفنية والنصائح الهامة للسلامة والعمل ووصف الرموز	الصفحة	97





Remove the battery pack before starting any work on the machine.  
Vor allen Arbeiten an der Maschine den Wechselakku herausnehmen.

Avant tous travaux sur la machine retirer l'accu interchangeable.

Prima di iniziare togliere la batteria dalla macchina.

Retire la batería antes de comenzar cualquier trabajo en la máquina.

Antes de efectuar cualquier intervención na máquina retirar o bloco acumulador.

Voor alle werkzaamheden aan de machine de akku verwijderen.

Ved arbejde inden i maskinen, bør batteriet tages ud.

Ta ut vekselbatteriet før du arbeider på maskinen

Drag ur batteripaket innan arbete utföres på maskinen.

Tarkista pistotulppa ja verkkojohto mahdollisilta vaurioilta. Viat saa korjata vain alan erikoismies.

Πριν από κάθε εργασία στη μηχανή αφαιρέστε την ανταλλακτική μπαταρία.

Aletin kendinde bir çalışma yapmadan önce kartuş aküyü çıkarın.

Před zahájením veškerých prací na vrtacím šroubováku vyjmout výměnný akumulátor.

Pred každou pracou na stroji výmenný akumulátor vytiahnuť.

Przed przystąpieniem do jakichkolwiek prac na elektronarzędziu należy wyjąć wkładkę akumulatorową.

Karbantartás, javítás, tisztítás, stb. előtt az akkumulátort ki kell venni a készülékből.

Pred deli na stroju izvlecite izmenljivi akumulator.

Prije svih radova na stroju izvaditi bateriju za zamjenu.

Pirms mašīnai veikt jebkāda veida apkopes darbus, ir jāizņem ārā akumulātors.

Prieš atlikdami bet kokius darbus įrenginyje, išimkite keičiamą akumuliatorių.

Enne kõiki töid masina kallal võtke vahetatav aku välja.

Вийніть акумулятор из машини перед проведенням с неї яких-либo маніпуляцій.

Преди започване на каквито е да е работи по машината извадете акумулятора.

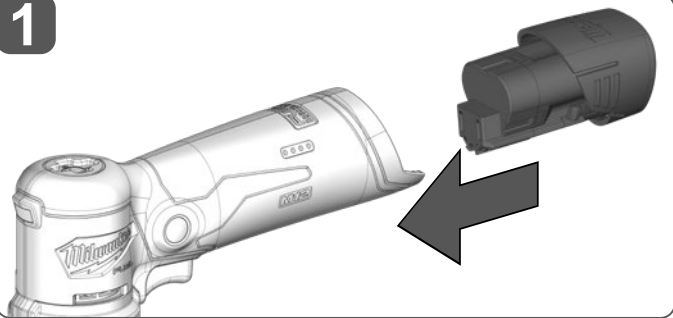
Scoateți acumulatorul înainte de a începe orice intervenție pe mașină.

Отстранете ја батеријата пред да започнете да ја користите машината.

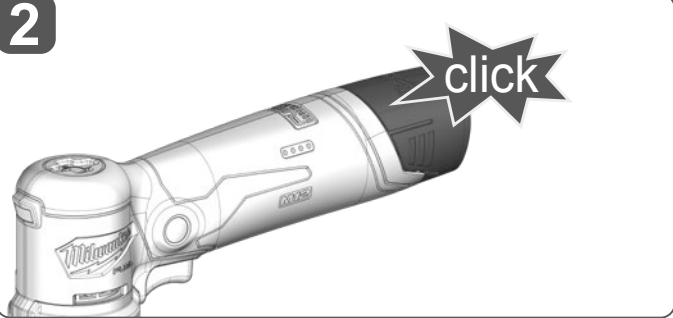
Перед будь-якими роботами на машині вийняти змінну акумуляторну батарею.

قم بإزالة حزمة البطارية قبل البدء في أي أعمال على الجهاز.

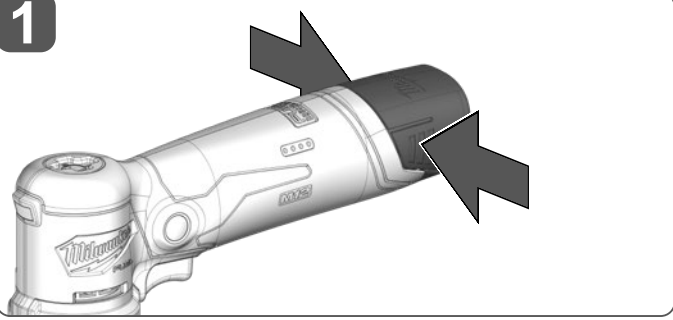
1



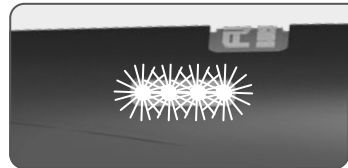
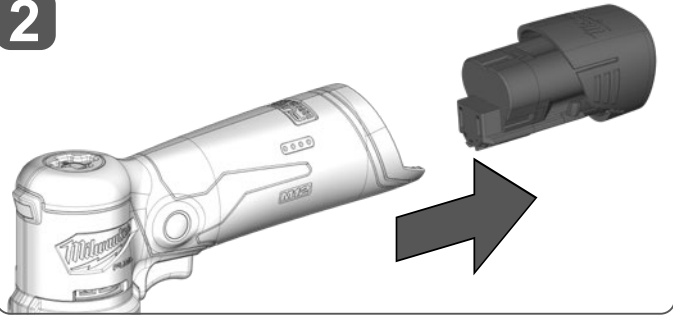
2



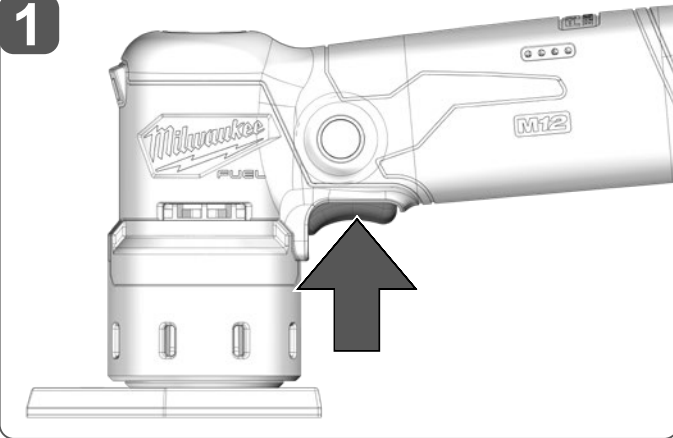
1



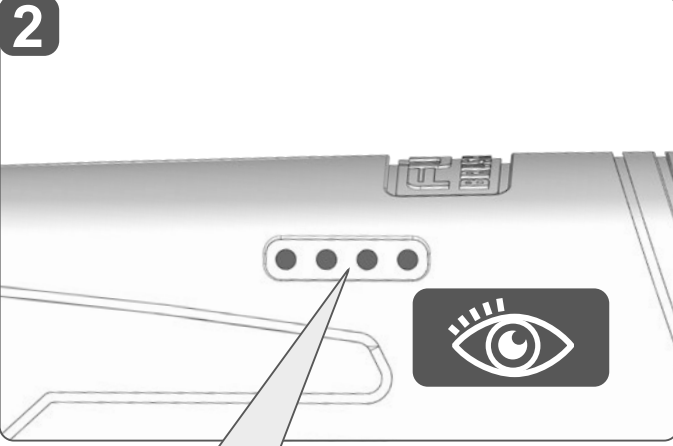
2



1

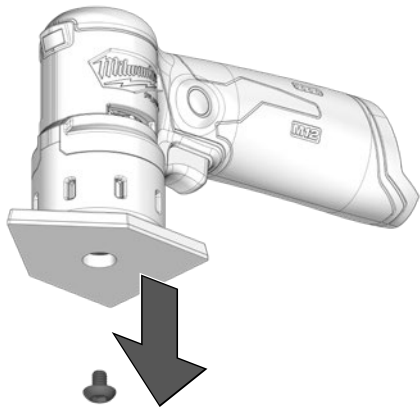


2





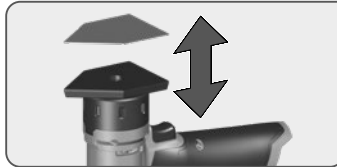
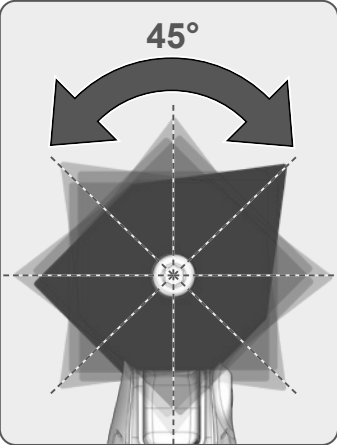
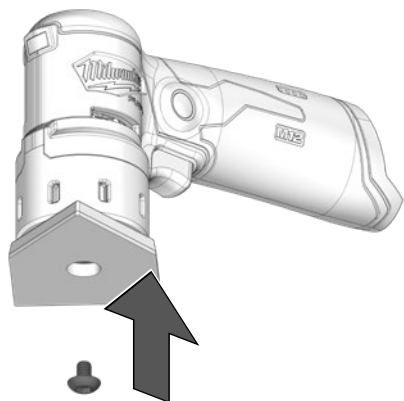
1



2



3



Press carefully the fuzzy side of sanding disc against the packaging pad, as firmly as possible.  
Die Haftseite des Schleifpads vorsichtig auf den Schleifteller auflegen und so fest wie möglich andrücken.

Placer la face adhérente du disque abrasif avec précaution sur le plateau de meulage et presser aussi fermement que possible.

Appoggiare attentamente il lato adesivo del dischetto levigante sul piatto levigatore e premere il più forte possibile.

Colocar cuidadosamente la parte adherente del disco lijador en el plato de lijar y presionar tan fuerte como sea posible.

Colocar com cuidado o lado aderente da folha de lixa sobre o disco de lixa e pressioná-lo o melhor possível contra este.

Plaats de hechtende zijde van de schuurpad voorzichtig op de schuurschijf en druk het zo vast mogelijk aan.

Set sliberondellens fastgørelsesside forsigtigt på slibetallerkenen og tryk den så fast som muligt.

Legg slipepadsens klebeside forsiktig på slipeplaten og tryk den på så fast som mulig.

Placera slipkuddens vidhäftande sida försiktigt på slipallriken och tryck sedan så hårt som möjligt.

Aseta hiomalaikan tarttumapinta varovasti hiomalevyllä ja paina se kiinni lujaan kuin suinkin mahdollista.

Τοποθετήστε προσεκτικά την κολλητική πλευρά του γυαλόχαρτου στο δίσκο λείανσης και πιέστε το όσο πιο δυνατά γίνεται.

Zmpara diskinin yapışkan tarafını zmpara tablasının üzerine dikkatlice oturtun ve mümkün olduğu kadar kuvvetli bir şekilde bastırın.

Prilnavo stranu brusného kotouče položte na brusný tanier a čo najpevnejšie pritlačte.

Prilnavú stranu brúsneho kotúča položte na brusný tanier a čo najpevnejšie pritlačte.

Stronę przyczepną podkładki szlifarskiej należy przyłożyć ostrożnie do tarczy szlifarskiej i jak najsilniej docisnąć.

A csiszológépá tapadó oldalát helyezze óvatosan a csiszológéptányérra, és a lehető legerősebben nyomja rá.

Oprijemalno stran brusilne podloge previdno položiti na brusilni krožnik in jo čim bolj močno pritisniti na krožnik.

Stranu prijanjanja brusnog ruha oprezno postaviti na klizni tanjur i pritisnuti što jače.

Pielīpošo slīpēšanas pamatnes pusi uzmanīgi novietojiet uz slīpēšanas diska un pēc iespējas stingrāk piespiediet.

Kibijajá slīfavimo pado pusē atsargiai uzdēkite ant slīfavimo disko ir kaip galima stipriau prispauskite.

Осторожно наложите липучку шлифовального круга на шлифовальную тарелку и прижмите настолько сильно, насколько это возможно.

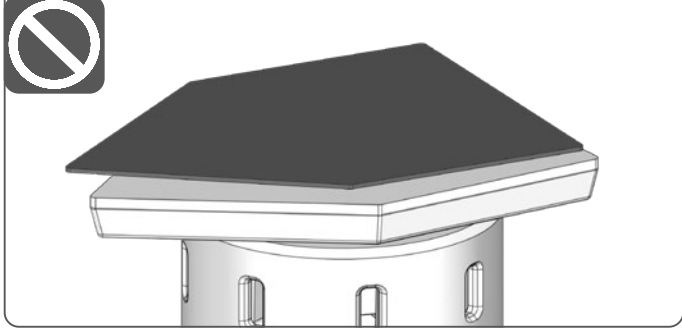
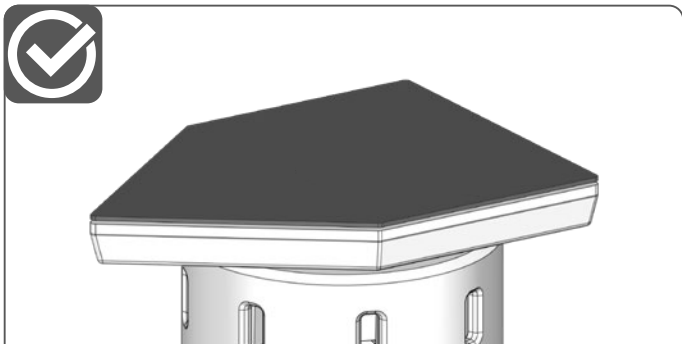
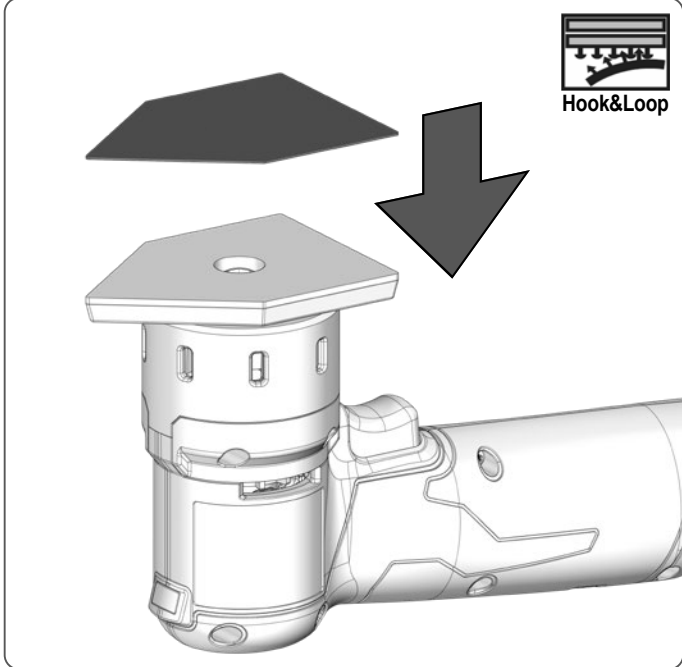
Прилепаващата страна на подложката за шлайфане се поставя внимателно върху шлифовъния кръг и се притиска колкото е възможно по-силно.

Așezați cu atenție partea aderentă a suportului de material abraziv pe discul polizorului și apăsați-l cât puteți de tare spre acesta.

Поставете ја страната за лепење од влошката на основата од површината за мазање и притиснете ја што е можно поцврсто.

Обережно покласти диск сторонуо з липучкою на шліфовальний тарілчастий диск та притиснути якнайміцніше.

اضغط بعناية على الجانب غير المصفر في عكس قضيب التعبئة بالقصى قوة ممكنة.





Insulated gripping surface

Isolierte Grifffläche

Surface de prise isolée

Superficie di presa isolata

Superficie de agarre con aislamiento

Geisoleerde handgrepen

Isolerede gribeflader

Isolert gripeflate

Isolerad greppyta

Eristetty tarttumapinta

Μονωμένη επιφάνεια λαβής

İzolasyonlu tutma yüzeyi

Izolovaná uchopovací plocha

Izolovaná úchopná plocha

Izolowana powierzchnia uchwytu

Szigetelt fogófelület

Izolirana prijemalna površina

Izolirana površina za držanje

Izolēta satveršanas virsma

Izoliuotas rankenos paviršius

Isoleeritud pideme piirkond

Изолированная поверхность ручки

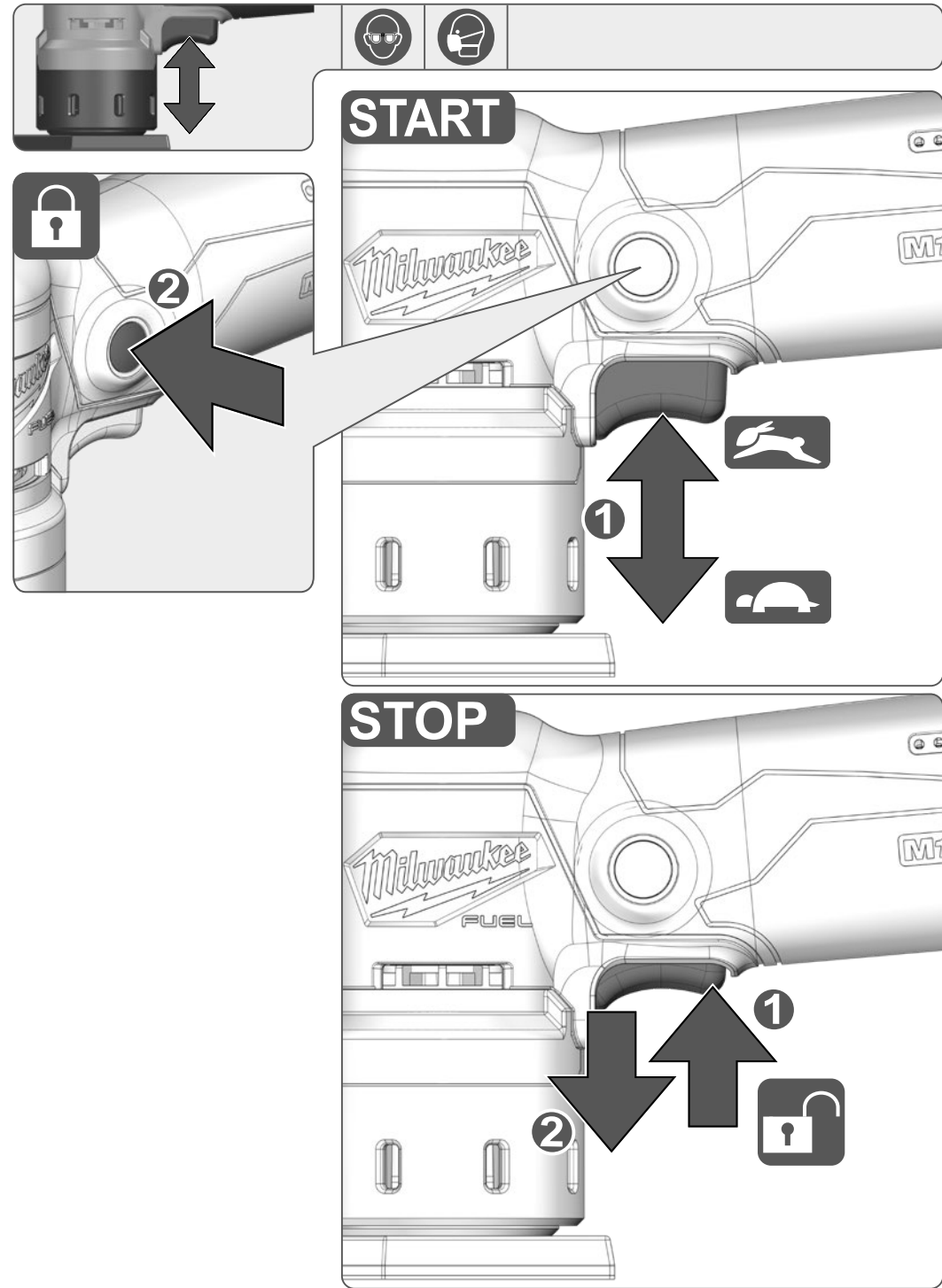
Изолирана повърхност за хващане

Suprafață de prindere izolată

Изолирана површина на дршката

Ізольована поверхня ручки

مساحة المقبض معزولة





1

0-8000 min<sup>-1</sup>

2

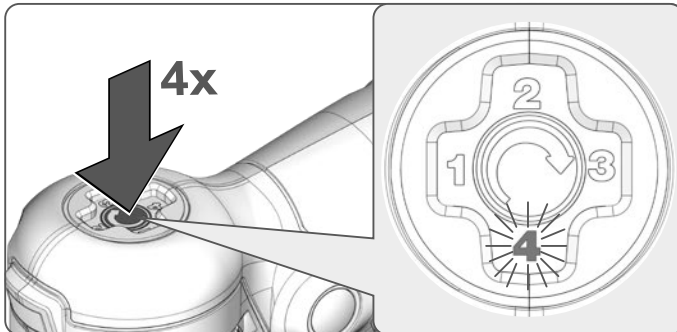
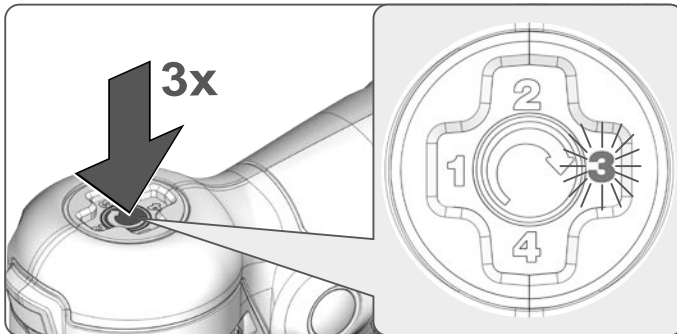
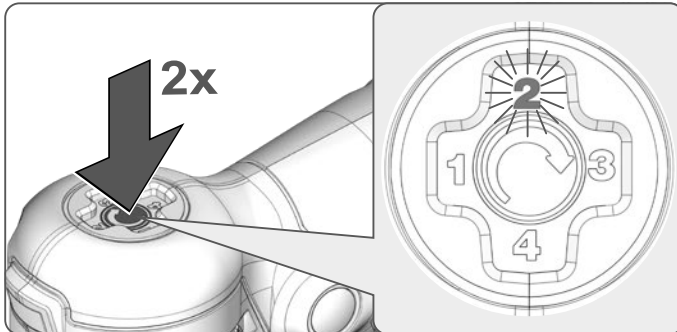
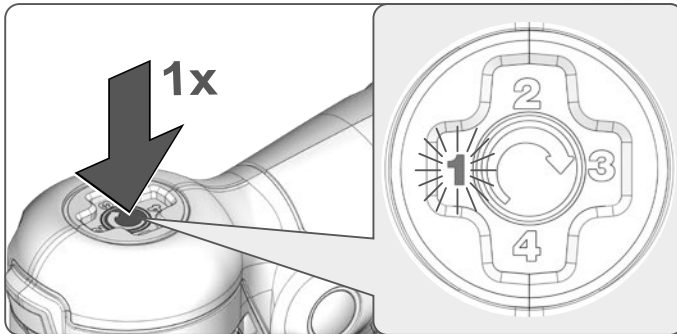
0-10000 min<sup>-1</sup>

3

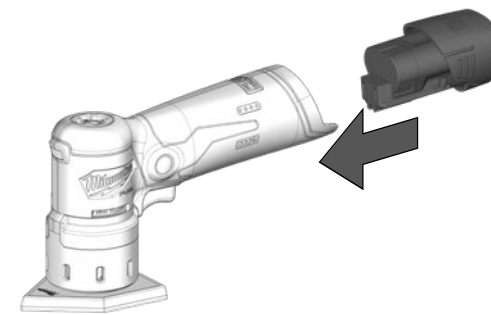
0-12000 min<sup>-1</sup>

4

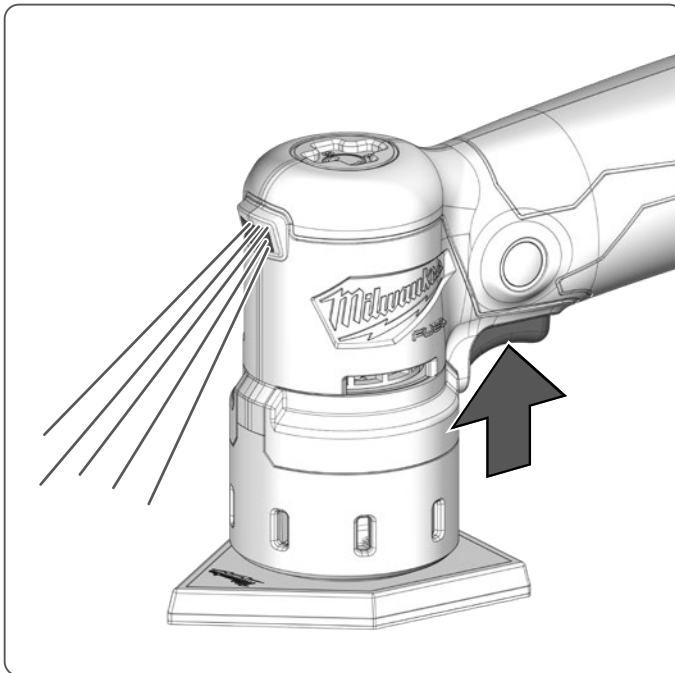
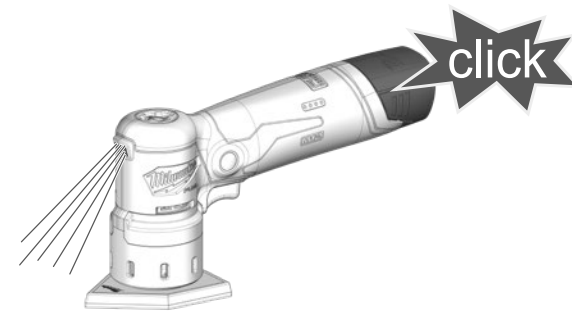
0-14000 min<sup>-1</sup>



1



2





#### TECHNICAL DATA

	M12 FDSS
Type	Oscillating sander
Production code	4914 26 01 XXXXXX MJJJJ
Battery voltage	12 V =
No-load speed 1/2/3/4	0-8000 / 0-10000 / 0-12000 / 0-14000 min <sup>-1</sup>
Orbital travel diameter	1,5 mm
Dimensions of grinding plate	88,8 x 63,5 mm
Weight according EPTA-Procedure 01/2014 (Li-Ion 2,0 Ah ... 6,0 Ah)	0,76 ... 1,00 kg
Recommended Ambient Operating Temperature	-18 ... +50 °C
Recommended battery types	M12B...
Recommended charger	C12C; M12C4; M12-18...

**Noise information:** Measured values determined according to EN 62841. Typically, the A-weighted noise levels of the tool are:

Sound pressure level / Uncertainty K	64,69 dB (A) / 3 dB (A)
Sound power level / Uncertainty K	75,69 dB (A) / 3 dB (A)

#### Wear ear protectors!

**Vibration information:** Vibration total values (triaxial vector sum) determined according to EN 62841

Vibration emission value $a_h$ / Uncertainty K	4,3 m/s <sup>2</sup> / 1,5 m/s <sup>2</sup>
--	---

#### WARNING!

The vibration and noise emission level given in this information sheet has been measured in accordance with a standardized test given in EN 62841 and may be used to compare one tool with another. It may be used for a preliminary assessment of exposure.

The declared vibration and noise emission level represents the main applications of the tool. However if the tool is used for different applications, with different accessories or poorly maintained, the vibration and noise emission may differ. This may significantly increase the exposure level over the total working period.

An estimation of the level of exposure to vibration and noise should also take into account the times when the tool is switched off or when it is running but not actually doing the job. This may significantly reduce the exposure level over the total working period.

Identify additional safety measures to protect the operator from the effects of vibration and/or noise such as: maintain the tool and the accessories, keep the hands warm, organization of work patterns.

**WARNING!** Read all safety warnings, instructions, illustrations and specifications provided with this power tool. Failure to follow all instructions listed below may result in electric shock, fire and/or serious injury.

Save all warnings and instructions for future reference.

#### ADDITIONAL SAFETY AND WORKING INSTRUCTIONS

Never reach into the danger area of the machine when it is running. Chips and splinters must not be removed while the machine is running. Use protective equipment. Always wear safety glasses when working with the machine. The dust produced when using this tool may be harmful to health. Do not inhale the dust. Use a dust absorption system and wear a suitable dust protection mask. Remove deposited dust thoroughly, e.g. with a vacuum cleaner.

Immediately switch off the machine in case of considerable vibrations or if other malfunctions occur. Check the machine in order to find out the cause.

The workpiece must be fixed if it is not heavy enough to be steady. Do not let any metal parts enter the airing slots - danger of short circuit!

**WARNING!** To reduce the risk of fire, personal injury, and product damage due to a short circuit, never immerse your tool, battery pack or charger in fluid or allow a fluid to flow inside them. Corrosive or conductive fluids, such as seawater, certain industrial chemicals, and bleach or bleach containing products, etc., Can cause a short circuit.

Only use original Milwaukee sanding and polishing tools with selfadhesive hook&loop fastening.

Never break open battery packs and chargers and store only in dry rooms. Keep dry at all times.

Use only System M12 chargers for charging System M12 battery packs. Do not use battery packs from other systems.

#### SPECIFIED CONDITIONS OF USE

The sander can be used for sanding wood, plastic, metal, filler and painted surfaces.

Do not use the product in any way other than those stated for intended use.

#### RESIDUAL RISK

Even when the product is used as prescribed, it is still impossible to completely eliminate certain residual risk factors. The following hazards may arise in use and the operator should pay special attention to avoid the following:

- Injury caused by vibration. Hold the product by designated handles and restrict working time and exposure.
- Exposure to noise can cause hearing injury. Wear ear protection and limit exposure.
- Injury due to flying debris. Wear eye protection, heavy long trousers, gloves and substantial footwear at all times.
- Inhalation of toxic dusts.

#### NOTES FOR LI-ION BATTERIES

##### Use of Li-Ion batteries

Battery packs which have not been used for some time should be recharged before use.

Temperatures in excess of 50°C (122°F) reduce the performance of the battery pack. Avoid extended exposure to heat or sunshine (risk of overheating).

The contacts of chargers and battery packs must be kept clean.

For an optimum life-time, the battery packs have to be fully charged, after use.

To obtain the longest possible battery life remove the battery pack from the charger once it is fully charged.

For battery pack storage longer than 30 days:

Store the battery pack where the temperature is below 27°C and away from moisture



Store the battery packs in a 30% - 50% charged condition  
Every six months of storage, charge the pack as normal.

#### Battery protection for Li-Ion batteries

In extremely high torque, binding, stalling and short circuit situations that cause high current draw, the tool will vibrate for about 5 seconds, the fuel gauge will flash, and then the tool will turn OFF.

To reset, release the trigger. Under extreme circumstances, the internal temperature of the battery pack could raise too much. If this happens, the fuel gauge will flash until the battery pack cooled down. After the lights go off, the work may continue.

#### Transporting Lithium Batteries

Lithium-ion batteries are subject to the Dangerous Goods Legislation requirements.

Transportation of those batteries has to be done in accordance with local, national and international provisions and regulations.

The user can transport the batteries by road without further requirements.

Commercial transport of Lithium-Ion batteries by third parties is subject to Dangerous Goods regulations. Transport preparation and transport are exclusively to be carried out by appropriately trained persons and the process has to be accompanied by corresponding experts.

When transporting batteries:

Ensure that battery contact terminals are protected and insulated to prevent short circuit.

Ensure that battery pack is secured against movement within packaging. Do not transport batteries that are cracked or leak. Check with forwarding company for further advice.

#### WORKING INSTRUCTIONS

##### General Sanding with Random Orbit Sanders

When using random orbit sanders there are a few things to keep in mind:

- Unlike most sanders, random orbit sanders should be placed on the workpiece BEFORE the tool is started. If the sander is started before it is placed on the workpiece, the free floating pad may be spinning at a speed that can cause scratches when it is finally placed on workpiece.
- Unlike most sanders, random orbit sanders can be moved across the workpiece in any direction (in the case of wood, regardless of the direction of the grain).
- Varying pressure applied to the sander will affect its rotating speed. A light pressure is recommended for fine work, moderate pressure for rough work. Excessive pressure does not allow the pad to rotate enough.
- Keep sanding pad flat on the workpiece. Tipping the sander or using the edges of the pad may produce an uneven finish, and reduce pad life.
- Keep sander moving in broad even strokes across the workpiece. Sanding in one spot too long can cause gouging and uneven results.
- Check the workpiece frequently, random orbit sanders work more aggressively than simple orbital sanders.

1. Place sander on the workpiece and turn on the sander.
2. Keep the sanding sheet flat against the workpiece, keep the sander moving across the workpiece, and use long, sweeping strokes.
3. Begin sanding with a coarse grit sandpaper and gradually use finer and finer grits of sandpaper until the desired finish is reached. For example when using the sander on wood, begin with an 80 grit followed by a 120 grit, then a 180 grit and so on.

#### Removing Paint or Varnish

1. When removing several layers of paint or varnish, remove as much as possible with a paint solvent or varnish remover.
2. Scrape away the residue with a putty knife or other scraping tool and allow the surface to cool and dry before applying sander to the workpiece.
3. Select a coarse grit sandpaper sheet to help prevent the sandpaper from clogging.
4. Keep the sander moving over new areas to avoid heating and softening the old coating (paint or varnish).
5. Work in wide, overlapping strokes to produce a uniform finish.
6. As the workpiece begins to show through the old coating, switch to a medium grit sandpaper sheet to avoid scratching the surface of the workpiece. Gradually switch to a fine grit sandpaper until you achieve the desired finish.

#### CLEANING














The ventilation slots of the machine must be kept clear at all times.

#### MAINTENANCE

Use only Milwaukee accessories and Milwaukee spare parts. Should components need to be replaced which have not been described, please contact one of our Milwaukee service agents (see our list of guarantee/service addresses).

If needed, an exploded view of the tool can be ordered. Please state the Article No. as well as the machine type printed on the label and order the drawing at your local service agents or directly at: Techtronic Industries GmbH, Max-Eyth-Straße 10, 71364 Winnenden, Germany.

#### SYMBOLS

	Please read the instructions carefully before starting the machine.
	CAUTION! WARNING! DANGER!
	Remove the battery pack before starting any work on the appliance..
	Do not use force.
	Always wear goggles when using the machine.
	Wear a suitable dust protection mask.
	Accessory - Not included in standard equipment, available as an accessory.
	Do not dispose electric tools, batteries/rechargeable batteries together with household waste material. Electric tools and batteries that have reached the end of their life must be collected separately and returned to an environmentally compatible recycling facility. Check with your local authority or retailer for recycling advice and collection point.
$n_0$	No-load speed
V	Voltage
	Direct Current
	European Conformity Mark
	British Conformity Mark
	Ukraine Conformity Mark
	EurAsian Conformity Mark

TECHNISCHE DATEN	M12 FDSS
Bauart	Schwingschleifer
Produktionsnummer	4914 26 01 XXXXXX MJJJJ
Spannung Wechselakku	12 V =
Leerlaufdrehzahl 1/2/3/4	0-8000 / 0-10000 / 0-12000 / 0-14000 min <sup>-1</sup>
Schwingkreis-ø	1,5 mm
Abmessung Schleifplatte	88,8 x 63,5 mm
Gewicht nach EPTA-Prozedur 01/2014 (Li-Ion 2,0 Ah ... 6,0 Ah)	0,76 ... 1,00 kg
Empfohlene Umgebungstemperatur für den Betrieb	-18 ... +50 °C
Empfohlene Akku Typen	M12B...
Empfohlene Ladegeräte	C12C; M12C4; M12-18...
<b>Geräuschinformation:</b> Messwerte ermittelt entsprechend EN 62841. Der A-bewertete Geräuschpegel des Gerätes beträgt typischerweise:	
Schalldruckpegel / Unsicherheit K	64,69 dB (A) / 3 dB (A)
Schalleistungspegel / Unsicherheit K	75,69 dB (A) / 3 dB (A)
<b>Gehörschutz tragen!</b>	
<b>Vibrationsinformationen:</b> Schwingungsgesamtwerte (Vektorsumme dreier Richtungen) ermittelt entsprechend EN 62841.	
Schwingungsemissionswert a <sub>n</sub> / Unsicherheit K	4,3 m/s <sup>2</sup> / 1,5 m/s <sup>2</sup>

## ⚠️ WARNUNG!

Die angegebenen Schwingungsgesamtwerte und Geräuschemissionswerte wurden nach einem genormten Messverfahren gemäß EN 62841 gemessen und können für den Vergleich von Elektrowerkzeugen miteinander verwendet werden. Sie können für eine vorläufige Einschätzung der Belastung verwendet werden.

Der angegebene Schwingungs- und Geräuschemissionspegel repräsentiert die hauptsächlichen Anwendungen des Elektrowerkzeugs. Wenn allerdings das Elektrowerkzeug für andere Anwendungen, mit abweichenden Einsatzwerkzeugen oder ungenügender Wartung eingesetzt wird, können sich die Schwingungs- und Geräuschemissionen unterscheiden. Dies kann deren Wirkung über den gesamten Arbeitszeitraum deutlich erhöhen.

Bei der Abschätzung der Belastung durch Schwingungen und Lärm sollten auch die Zeiten berücksichtigt werden, in denen das Elektrowerkzeug ausgeschaltet ist oder zwar läuft, aber keine tatsächliche Arbeit verrichtet wird. Dies kann deren Wirkung über den gesamten Arbeitszeitraum deutlich reduzieren.

Legen Sie zusätzliche Sicherheitsmaßnahmen zum Schutz des Bedieners vor den Auswirkungen von Schwingungen- und / oder Lärm fest, wie z. B.: Wartung des Werkzeugs und des Zubehörs, Warmhalten der Hände, Organisation der Arbeitsabläufe.

**⚠️ WARNUNG!** Lesen Sie alle Sicherheitshinweise, Anweisungen, Gebildungen und technischen Daten, mit denen dieses Elektrowerkzeug versehen ist. Versäumnisse bei der Einhaltung der nachfolgenden Anweisungen können elektrischen Schlag, Brand und/oder schwere Verletzungen verursachen.

**Bewahren Sie alle Sicherheitshinweise und Anweisungen für die Zukunft auf.**

## WEITERE SICHERHEITS- UND ARBEITSHINWEISE

Nicht in den Gefahrenbereich der laufenden Maschine greifen. Späne oder Splitter dürfen bei laufender Maschine nicht entfernt werden. Schutzausrüstung verwenden. Beim Arbeiten mit der Maschine stets Schutzbrille tragen. Beim Arbeiten entstehender Staub ist oft gesundheitsschädlich und sollte nicht in den Körper gelangen. Staubabsaugung verwenden und zusätzlich geeignete Staubschutzmaske tragen. Abgelagerten Staub gründlich entfernen, z.B. Aufsaugen.

Gerät sofort ausschalten, wenn beträchtliche Schwingungen auftreten oder andere Mängel festgestellt werden. Überprüfen Sie die Maschine, um die Ursache festzustellen.

Das zu bearbeitende Werkstück muss festgespannt werden, sofern es nicht durch sein Eigengewicht hält. Wegen Kurzschlussgefahr dürfen Metallteile nicht in die Lüftungsschlitze gelangen.

**WARNUNG!** Um die durch einen Kurzschluss verursachte Gefahr eines Brandes, von Verletzungen oder Produktbeschädigungen zu vermeiden, tauchen Sie das Werkzeug, den Wechselakku oder das Ladegerät nicht in Flüssigkeiten ein und sorgen Sie dafür, dass keine Flüssigkeiten in die Geräte und Akkus eindringen. Korrodierende oder leitfähige Flüssigkeiten, wie Salzwasser, bestimmte Chemikalien und Bleichmittel oder Produkte, die Bleichmittel enthalten, können einen Kurzschluss verursachen.

Nur Original Milwaukee-Schleif- und Polierwerkzeuge mit selbsthaftenden Klettverschluss verwenden.

Wechselakku und Ladegeräte nicht öffnen und nur in trockenen Räumen lagern. Vor Nässe schützen.

Wechselakku des Systems M12 nur mit Ladegeräten des Systems M12 laden. Keine Akkus aus anderen Systemen laden.

## BESTIMMUNGSGEMÄSSE VERWENDUNG

Der Schleifer kann für das Schleifen von Holz, Kunststoff, Metall, Füllstoffen und lackierten Oberflächen verwendet werden.

Verwenden Sie das Produkt nur für den bestimmungsgemäßen Gebrauch.

## RESTRISIKEN

Auch bei ordnungsgemäßer Verwendung können nicht alle Restrisiken ausgeschlossen werden. Beim Gebrauch können folgende Gefahren entstehen, auf die der Bediener besonders achten sollte:

- Durch Vibration verursachte Verletzungen. Halten Sie das Gerät an den dafür vorgesehenen Griffen und begrenzen Sie die Arbeits- und Expositionszeit.
- Lärmbelastung kann zu Gehörschädigungen führen. Tragen Sie einen Gehörschutz und schränken Sie die Expositionsdauer ein.
- Durch Schmutzpartikel verursachte Augenverletzungen. Tragen Sie immer eine Schutzbrille, feste lange Hosen, Handschuhe und festes Schuhwerk.
- Einatmen von giftigen Stäuben.

## HINWEISE FÜR LI-ION-AKKUS

### Gebrauch von Li-Ion-Akkus

Längere Zeit nicht benutzte Wechselakkus vor Gebrauch nachladen.

Eine Temperatur über 50°C vermindert die Leistung des Wechselakkus. Längere Erwärmung durch Sonne oder Heizung vermeiden.

Die Anschlusskontakte an Ladegerät und Wechselakku sauber halten.

Für eine optimale Lebensdauer müssen nach dem Gebrauch die Akkus voll geladen werden.

Für eine möglichst lange Lebensdauer sollten die Akkus nach dem Aufladen aus dem Ladegerät entfernt werden.

Bei Lagerung des Akkus länger als 30 Tage:

Akku bei ca. 27°C und trocken lagern.

Akku bei ca. 30%-50% des Ladezustandes lagern.

Akku alle 6 Monate erneut aufladen.

### Akkuüberlastschutz bei Li-Ion-Akkus

Bei Überlastung des Akkus durch sehr hohen Stromverbrauch, z.B. extrem hohe Drehmomente, plötzlichem Stopp oder Kurzschluss, vibriert das Elektrowerkzeug 5 Sekunden lang, die Ladeanzeige blinkt und das Elektrowerkzeug schaltet sich selbsttätig ab.

Zum Wiedereinschalten, den Schalterdrücker loslassen und dann wieder einschalten. Unter extremen Belastungen erhitzt sich der Akku zu stark. In diesem Fall blinken alle Lampen der Ladeanzeige bis der Akku abgekühlt ist. Nach Erlöschen der Ladeanzeige kann weitergearbeitet werden.

### Transport von Lithium-Ionen-Akkus

Lithium-Ionen-Akkus fallen unter die gesetzlichen Bestimmungen zum Gefahrguttransport.

Der Transport dieser Akkus muss unter Einhaltung der lokalen, nationalen und internationalen Vorschriften und Bestimmungen erfolgen.

Verbraucher dürfen diese Akkus ohne Weiteres auf der Straße transportieren.

Der kommerzielle Transport von Lithium-Ionen-Akkus durch Speditionsunternehmen unterliegt den Bestimmungen des Gefahrguttransports. Die Versandvorbereitungen und der Transport dürfen ausschließlich von entsprechend geschulten Personen durchgeführt werden. Der gesamte Prozess muss fachmännisch begleitet werden.

Folgende Punkte sind beim Transport von Akkus zu beachten:

Stellen Sie sicher, dass die Kontakte geschützt und isoliert sind, um Kurzschlüsse zu vermeiden.

Achten Sie darauf, dass der Akkupack innerhalb der Verpackung nicht verrutschen kann. Beschädigte oder auslaufende Akkus dürfen nicht transportiert werden. Wenden Sie sich für weitere Hinweise an Ihr Speditionsunternehmen.

## ARBEITSHINWEISE

### Allgemeines Schleifen mit Exzenterschleifern

Bei der Verwendung von Exzenterschleifern sind einige Dinge zu beachten:

- Im Gegensatz zu den meisten anderen Schleifern sollten Exzenterschleifer auf dem Werkstück platziert werden, BEVOR das Werkzeug eingeschaltet wird. Wenn der Schleifer eingeschaltet wird, bevor er auf dem Werkstück platziert wird, kann es sein, dass sich der Schleifbelag mit einer Drehzahl dreht, die Kratzer verursacht, wenn er schließlich auf dem Werkstück platziert wird.
- Im Gegensatz zu den meisten Schleifern können Exzenterschleifer in jeder Richtung über das Werkstück bewegt werden (im Falle von Holz ungeachtet der Maserung).
- Wenn wechselnder Druck auf den Schleifer ausgeübt wird, wirkt sich dies auf seine Drehzahl aus. Für feine Arbeiten wird ein leichter Druck empfohlen, für grobe Arbeiten ein mittlerer Druck. Bei zu hohem Druck kann sich der Teller nicht ausreichend drehen.

• Halten Sie den Schleifbelag flach auf das Werkstück. Wenn der Schleifer gekippt wird oder die Ränder der Schleifscheibe benutzt werden, kann dies zu ungleichmäßigen Oberflächen und einer Verringerung der Lebensdauer des Schleifbelags führen.

• Bewegen Sie den Schleifer in gleichmäßigen Zügen über das Werkstück. Wenn zu lange an einer Stelle geschliffen wird, kann dies zu Furchen und ungleichmäßigen Ergebnissen führen.

• Überprüfen Sie das Werkstück regelmäßig, Exzenterschleifer arbeiten aggressiver als Schwingschleifer.

1. Platzieren Sie den Schleifer auf dem Werkstück und schalten Sie den Schleifer ein.
2. Halten Sie das Schleifblatt flach gegen das Werkstück und bewegen Sie den Schleifer mit langen, weiten Bewegungen über das Werkstück.
3. Beginnen Sie mit einem Schleifpapier mit grober Körnung und verwenden Sie nach und nach feinere Körnungen, bis die gewünschte Oberfläche erreicht ist. Wenn Sie zum Beispiel den Schleifer auf Holz verwenden, beginnen Sie mit einer Körnung von 80, gefolgt von 120, 180 und so weiter.

### Entfernen von Farbe oder Lack

1. Wenn mehrere Schichten an Farbe oder Lack entfernt werden sollen, entfernen Sie so viel wie möglich mit einem Lösungsmittel oder Lackentferner.
2. Kratzen Sie den Rest mit einem Spachtel oder einem anderen Werkzeug ab und lassen Sie die Oberfläche abkühlen und trocknen, bevor Sie das Werkstück mit dem Schleifer bearbeiten.
3. Wählen Sie Schleifpapier mit einer groben Körnung, um zu verhindern, dass das Sandpapier verstopft.
4. Bewegen Sie den Schleifer immer wieder über neue Bereiche, um zu verhindern, dass sich die alte Beschichtung (Farbe oder Lack) erhitzt und weich wird.
5. Arbeiten Sie mit weiten, überlappenden Bewegungen, um eine gleichmäßige Oberfläche zu erzeugen.
6. Wenn allmählich das Werkstück unter der alten Beschichtung zum Vorschein kommt, wechseln Sie zu Sandpapier mit einer mittleren Körnung, um zu verhindern, dass die Oberfläche des Werkstücks verkratzt. Wechseln Sie nach und nach zu Sandpapier mit einer feinen Körnung, bis Sie die gewünschte Oberfläche erzielen.

## REINIGUNG

Stets die Lüftungsschlitze der Maschine sauber halten.

## WARTUNG

Nur Milwaukee Zubehör und Milwaukee Ersatzteile verwenden. Bauteile, deren Austausch nicht beschrieben wurde, bei einer Milwaukee Kundendienststelle auswechseln lassen (Broschüre Garantie/Kundendienstadressen beachten).

Bei Bedarf kann eine Explosionszeichnung des Gerätes unter Angabe der Maschinen Type und der sechsstelligen Nummer auf dem Leistungsschild bei Ihrer Kundendienststelle oder direkt bei Techtronic Industries GmbH, Max-Eyth-Straße 10, 71364 Winnenden, Germany angefordert werden.

**SYMBOLE**

	Bitte lesen Sie die Gebrauchsanweisung vor Inbetriebnahme sorgfältig durch.
	ACHTUNG! WARNUNG! GEFAHR!
	Vor allen Arbeiten am Gerät den Wechselakku herausnehmen..
	Keine Kraft anwenden.
	Beim Arbeiten mit der Maschine stets Schutzbrille tragen.
	Geeignete Staubschutzmaske tragen.
	Zubehör - Im Lieferumfang nicht enthalten, empfohlene Ergänzung aus dem Zubehörprogramm.
	Elektrogeräte, Batterien/Akkus dürfen nicht zusammen mit dem Hausmüll entsorgt werden. Elektrische Geräte und Akkus sind getrennt zu sammeln und zur umweltgerechten Entsorgung bei einem Verwertungsbetrieb abzugeben. Erkundigen Sie sich bei den örtlichen Behörden oder bei Ihrem Fachhändler nach Recyclinghöfen und Sammelstellen.
$n_0$	Leerlaufdrehzahl
$V$	Spannung
	Gleichstrom
	Europäisches Konformitätszeichen
	Britisches Konformitätszeichen
	Ukrainisches Konformitätszeichen
	Euroasiatisches Konformitätszeichen

**CARACTÉRISTIQUES TECHNIQUES**

	M12 FDSS
Type	Ponceuse orbitale
Numéro de série	4914 26 01 XXXXXX MJJJJ
Tension accu interchangeable	12 V =
Vitesse de rotation à vide 1/2/3/4	0-8000 / 0-10000 / 0-12000 / 0-14000 min <sup>-1</sup>
Diamètre d'oscillation	1,5 mm
Dimension semelle de ponçage	88,8 x 63,5 mm
Poids suivant EPTA-Procédure 01/2014 (Li-Ion 2,0 Ah ... 6,0 Ah)	0,76 ... 1,00 kg
Température ambiante conseillée pour le fonctionnement	-18 ... +50 °C
Batteries conseillées	M12B...
Chargeurs conseillés	C12C; M12C4; M12-18...

**Informations sur le bruit:** Valeurs de mesure obtenues conformément à la EN 62841.

Les mesures réelles (des niveaux acoustiques de l'appareil sont :

Niveau de pression acoustique / Incertitude K	64,69 dB (A) / 3 dB (A)
Niveau d'intensité acoustique / Incertitude K	75,69 dB (A) / 3 dB (A)

**Toujours porter une protection acoustique!**

**Informations sur les vibrations:** Valeurs totales des vibrations (somme vectorielle de trois sens) établies conformément à EN 62841.

Valeur d'émission vibratoire $a_n$ / Incertitude K	4,3 m/s <sup>2</sup> / 1,5 m/s <sup>2</sup>
--	---

**AVERTISSEMENT!**

Le niveau de vibration et d'émissions sonores indiqué dans cette fiche de données a été mesuré en respect d'une méthode standard de test selon la norme EN 62841 et peut être utilisé pour comparer les outils entre eux. Il peut être utilisé pour évaluation préliminaire de l'exposition.

Le niveau de vibration et d'émissions sonores déclaré correspond à l'application principale de l'outil. Cependant, si l'outil est utilisé pour des applications différentes, avec différents accessoires ou est mal entretenu, les vibrations et les émissions sonores peuvent différer. Cela peut augmenter considérablement le niveau d'exposition au cours de la période de travail totale.

Une estimation du niveau d'exposition aux vibrations et au bruit devrait également tenir compte des temps d'arrêt de l'outil ou des périodes où il est en marche mais n'effectue pas réellement le travail. Cela peut réduire considérablement le niveau d'exposition au cours de la période de travail totale.

Identifier des mesures de sécurité supplémentaires pour protéger l'opérateur des effets des vibrations et/ou du bruit tels que : l'entretien de l'outil et des accessoires, le maintien au chaud des mains, l'organisation des processus de travail.

**AVERTISSEMENT!** Lisez toutes les consignes de sécurité, instructions, présentations et données que vous recevez avec l'appareil. Le fait de ne pas suivre toutes les instructions données ci-dessous peut provoquer un choc électrique, un incendie et/ou une blessure grave.

**Bien garder tous les avertissements et instructions.**

**AVIS COMPLÉMENTAIRES DE SÉCURITÉ ET DE TRAVAIL**

Ne jamais intervenir dans la zone dangereuse lorsque la machine est en marche. Ne jamais enlever les copeaux ni les éclats lorsque la machine est en marche. Utiliser l'équipement de protection. Toujours porter des lunettes de protection pendant le travail avec la machine. Les poussières dégagées lors du travail sont souvent nocives et ne devraient pas pénétrer dans le corps. Utiliser un dispositif d'aspiration de poussières et porter en plus un masque de protection approprié. Éliminer soigneusement les dépôts de poussières, p. ex. en les aspirant au moyen d'un système d'aspiration de copeaux.

Arrêter la machine tout de suite lorsqu'il y a des vibrations importantes ou que d'autres défauts surgissent. Contrôler la machine afin d'en trouver les causes.

La pièce à travailler doit être fortement serrée lorsque son propre poids ne suffit pas à la maintenir. En raison de risques de court-circuit, veiller à ce qu'aucune pièce métallique ne pénètre dans les ouies de ventilation.

**AVERTISSEMENT!** Pour réduire le risque d'incendie, de blessures corporelles et de dommages causés par un court-circuit, ne jamais immerger l'outil, le bloc-piles ou le chargeur dans un liquide ou laisser couler un fluide à l'intérieur de celui-ci. Les fluides corrosifs ou conducteurs, tels que l'eau de mer, certains produits chimiques industriels, les produits de blanchiment ou de blanchiment, etc., peuvent provoquer un court-circuit.

N'utiliser que des outils de ponçage et de polissage (à pose auto-accrochante) d'origine Milwaukee.

Ne pas ouvrir les accus interchangeables et les chargeurs et ne les stocker que dans des locaux secs. Les protéger contre l'humidité.

Ne charger les accus interchangeables du système M12 qu'avec le chargeur d'accus du système M12. Ne pas charger des accus d'autres systèmes.

**UTILISATION CONFORME AUX PRESCRIPTIONS**

La ponceuse peut être utilisée pour le ponçage du bois, du plastique, du métal, du mastic et des surfaces peintes.

Ne pas utiliser le produit d'une autre manière que celle indiquée pour l'usage auquel il est destiné.

**RISQUES RÉSIDUELS**

Même en cas d'utilisation correcte, il n'est pas possible d'exclure tous les risques résiduels. Lors de l'utilisation, les risques suivants pourront être présents et l'utilisateur devra prêter une attention particulière en vue de les éviter :

- Blessures causées par les vibrations. Tenir le dispositif à l'aide de ses poignées et limiter les temps de travail et d'exposition.
- L'exposition au bruit peut causer des dommages auditifs. Porter une protection auditive et limiter la durée de l'exposition.
- Lésions oculaires causées par des particules de déchets. Toujours porter des lunettes de sécurité, de pantalon long, des gants et des chaussures robustes.
- Inhalation de gaz toxiques.

**REMARQUE CONCERNANT LES ACCUS LI-ION**

**Utilisation d'accus Li-Ion**

Recharger les accus avant utilisation après une longue période de non utilisation.

Une température supérieure à 50°C amoindrit la capacité des accus.

Éviter les expositions prolongées au soleil ou au chauffage.  
Tenir propres les contacts des accus et des chargeurs.

Pour une durée de vie optimale, les accus doivent être chargés à fond après l'utilisation.

Pour une plus longue durée de vie, enlever les batteries du chargeur de batterie quand celles-ci seront chargées.

En cas d'entreposage de la batterie pour plus de 30 jours:  
Entreposer la batterie à 27°C environ dans un endroit sec.  
Entreposer la batterie avec une charge d'environ 30% - 50%.  
Recharger la batterie tous les 6 mois.

#### Protection des accus Li-Ion

En cas d'une surcharge de l'accu à cause d'une très haute consommation de courant, par exemple suite à des couples extrêmement élevés, un arrêt soudain ou un court-circuit, l'outil électrique vibre pendant 5 secondes, l'indicateur de charge clignote et l'outil électrique se déconnecte automatiquement.

Pour le ré-endercher, relâcher le poussoir de l'interrupteur, puis enclencher à nouveau l'appareil. Sous des sollicitations extrêmes, l'accu s'échauffe trop fortement. Dans ce cas, tous les témoins de l'indicateur de charge clignotent jusqu'à ce que l'accu se soit refroidi. Il est possible de continuer à travailler dès que l'indicateur de charge s'est éteint.

#### Transport de batteries lithium-ion

Les batteries lithium-ion sont soumises aux dispositions législatives concernant le transport de produits dangereux.

Le transport de ces batteries devra s'effectuer dans le respect des dispositions et des normes locales, nationales et internationales.

Les utilisateurs peuvent transporter ces batteries sans restrictions.

Le transport commercial de batteries lithium-ion est réglé par les dispositions concernant le transport de produits dangereux. La préparation au transport et le transport devront être effectués uniquement par du personnel formé de façon adéquate. Tout le procédé devra être géré d'une manière professionnelle.

Durant le transport de batteries il faut respecter les consignes suivantes :

S'assurer que les contacts soient protégés et isolés en vue d'éviter des courts-circuits.

S'assurer que le groupe de batteries ne puisse pas se déplacer à l'intérieur de son emballage. Des batteries endommagées ou des batteries perdant du liquide ne devront pas être transportées. Pour tout renseignement complémentaire veuillez vous adresser à votre transporteur professionnel.

#### CONSIGNES DE TRAVAIL

##### Ponçage général avec des ponceuses à orbite aléatoire

Lors de l'utilisation de ponceuses à orbite aléatoire, il y a quelques points à garder à l'esprit :

- Contrairement à la plupart des ponceuses, les ponceuses à orbite aléatoire doivent être placées sur la pièce de travail AVANT de mettre l'outil en marche. Si la ponceuse est mise en marche avant d'être placée sur la pièce, le tampon flottant peut tourner à une vitesse qui peut provoquer des rayures lorsqu'il est finalement placé sur la pièce.
- Contrairement à la plupart des ponceuses, les ponceuses à orbite aléatoire peuvent être déplacées sur la pièce dans n'importe quelle direction (dans le cas du bois, indépendamment du sens du grain).
- La variation de la pression appliquée sur la ponceuse affectera sa vitesse de rotation. Une pression légère est recommandée pour les travaux fins, une pression modérée pour les travaux grossiers. Une pression excessive ne permet pas au tampon de tourner suffisamment.
- Maintenez le patin de ponçage à plat sur la pièce à usiner. Le fait de basculer la ponceuse ou d'utiliser les bords du tampon peut produire une finition inégale et réduire la durée de vie du tampon.
- Maintenez la ponceuse en mouvement par larges coups réguliers sur la pièce. Poncer trop longtemps au même endroit peut provoquer des gouges et des résultats inégaux.

- Vérifiez fréquemment la pièce à travailler, les ponceuses orbitales aléatoires travaillent de manière plus agressive que les ponceuses orbitales simples.

1. Placez la ponceuse sur la pièce à usiner et mettez la ponceuse en marche.
2. Maintenez la feuille de ponçage à plat contre la pièce, continuez à déplacer la ponceuse sur la pièce et effectuez de longs mouvements de balayage.
3. Commencez le ponçage avec un papier de verre à gros grain et utilisez progressivement des grains de papier de verre de plus en plus fins jusqu'à obtenir la finition souhaitée. Par exemple, lorsque vous utilisez la ponceuse sur du bois, commencez par un grain 80, puis un grain 120, puis un grain 180 et ainsi de suite.

#### Enlever la peinture ou le vernis

1. Lorsque vous enlevez plusieurs couches de peinture ou de vernis, enlevez-en le plus possible avec un solvant pour peinture ou un décapant pour vernis.
2. Grattez les résidus avec un couteau à mastic ou un autre outil de grattage et laissez la surface refroidir et sécher avant d'appliquer la ponceuse sur la pièce.
3. Choisissez une feuille de papier de verre à gros grain pour éviter que le papier de verre ne s'encrasse.
4. Gardez la ponceuse en mouvement sur les nouvelles zones pour éviter de chauffer et de ramollir l'ancien revêtement (peinture ou vernis).
5. Travaillez par larges touches qui se chevauchent pour obtenir une finition uniforme.
6. Lorsque la pièce commence à laisser apparaître l'ancien revêtement, passez à une feuille de papier de verre de grain moyen pour éviter de rayer la surface de la pièce. Passez progressivement à un papier de verre à grain fin jusqu'à ce que vous obteniez la finition souhaitée.

#### LAVAGE






Tenir toujours propres les orifices de ventilation de la machine.









#### ENTRETIEN

Utiliser uniquement les accessoires Milwaukee et les pièces détachées Milwaukee. Faire remplacer les composants dont le remplacement n'a pas été décrit, par un des centres de service après-vente Milwaukee (observer la brochure avec les adresses de garantie et de service après-vente).

Si besoin est, une vue éclatée de l'appareil peut être fournie. S'adresser, en indiquant bien le numéro porté sur la plaque signalétique, à votre station de service après-vente (voir liste jointe) ou directement à Techtronic Industries GmbH, Max-Eyth-Strasse 10, 71364 Winnenden, Germany.

#### SYMBOLES

	Veuillez lire avec soin le mode d'emploi avant la mise en service
	ATTENTION! AVERTISSEMENT! DANGER!
	Avant tous travaux sur l'appareil retirer l'accu interchangeable..
	Ne pas appliquer de la force.
	Toujours porter des lunettes protectrices en travaillant avec la machine.

	Porter un masque de protection approprié contre les poussières.
	Accessoires - Ces pièces ne font pas partie de la livraison. Il s'agit là de compléments recommandés pour votre machine et énumérés dans le catalogue des accessoires.
	Les dispositifs électriques, les batteries et les batteries rechargeables ne sont pas à éliminer dans les déchets ménagers. Les dispositifs électriques et les batteries sont à collecter séparément et à remettre à un centre de recyclage en vue de leur élimination dans le respect de l'environnement. S'adresser aux autorités locales ou au détaillant spécialisé en vue de connaître l'emplacement des centres de recyclage et des points de collecte.
$n_0$	Vitesse de rotation à vide
V	Tension
	Courant continu
	Marque de conformité européenne
	Marque de conformité britannique
	Marque de conformité ukrainienne
	Marque de conformité d'Eurasie

DATI TECNICI	M12 FDSS
Tipo di costruzione	Smergliatrice ad oscillazione
Numero di serie	4914 26 01 XXXXXX MJJJ
Tensione batteria	12 V =
Numero di giri a vuoto 1/2/3/4	0-8000 / 0-10000 / 0-12000 / 0-14000 min <sup>-1</sup>
Diámetro orbite	1,5 mm
Dimensione slitta	88,8 x 63,5 mm
Peso secondo la procedura EPTA 01/2014 (Li-Ion 2,0 Ah ... 6,0 Ah)	0,76 ... 1,00 kg
Temperatura ambiente consigliata per il funzionamento	-18 ... +50 °C
Batterie consigliate	M12B...
Caricatori consigliati	C12C; M12C4; M12-18...
<b>Informazioni sulla rumorosità:</b> Valori misurati conformemente alla norma EN 62841. La misurazione A del livello di pressione acustica dell'utensile è di solito di:	
Livello di rumorosità / Incertezza della misura K	64,69 dB (A) / 3 dB (A)
Potenza della rumorosità / Incertezza della misura K	75,69 dB (A) / 3 dB (A)
<b>Utilizzare le protezioni per l'udito!</b>	
<b>Informazioni sulle vibrazioni:</b> Valori totali delle oscillazioni (somma di vettori in tre direzionmisurati conformemente alla norma EN 62841	
Valore di emissione dell'oscillazione a <sub>n</sub> / Incertezza della misura K	4,3 m/s <sup>2</sup> / 1,5 m/s <sup>2</sup>

## AVVERTENZA!

Il/i valore/i di emissione acustica riportato/i in questa scheda informativa sono stati misurati conformemente a un metodo di prova standard sulla base della norma EN 62841 e possono essere utilizzati per confrontare gli utensili tra loro. Può/possono essere utilizzato/i anche per una valutazione preliminare dell'esposizione.

Il livello di vibrazione ed emissione acustica dichiarato rappresenta le applicazioni principali dell'utensile. Tuttavia, se l'utensile è utilizzato per applicazioni diverse, con accessori differenti o una manutenzione non adeguata, la vibrazione e l'emissione acustica potrebbero variare. Ciò può aumentare significativamente il livello di esposizione durante l'intera durata del lavoro.

Una stima del livello di esposizione alle vibrazioni e al rumore dovrebbe tenere conto anche dei periodi in cui l'utensile è spento o è in funzione ma non sta lavorando. Ciò può ridurre significativamente il livello di esposizione durante l'intera durata del lavoro.

Identificare le misure di sicurezza supplementari per proteggere l'operatore dagli effetti delle vibrazioni e/o del rumore, ad esempio eseguendo la manutenzione dell'utensile e degli accessori, mantenendo le mani calde e organizzando gli schemi di lavoro.

## AVVERTENZA!

Leggere tutte le avvertenze di sicurezza, le istruzioni, le illustrazioni e i dati forniti a corredo dell'apparecchio. In caso di mancata osservanza delle seguenti istruzioni vi è il pericolo di provocare una scossa elettrica, di sviluppare incendi e/o di provocare seri incidenti.

**Conservare tutte le avvertenze di pericolo e le istruzioni operative per ogni esigenza futura.**

### ULTERIORI AVVISI DI SICUREZZA E DI LAVORO

Non entrare nel raggio d'azione dell'utensile mentre è in funzione. Non rimuovere trucioli o schegge mentre l'utensile è in funzione. Usare dispositivi di protezione. Durante il lavoro con la macchina bisogna sempre portare occhiali di protezione. La polvere provocata durante la lavorazione con questo utensile può essere dannosa alla salute e per questo motivo non devono entrare in contatto con il corpo. Usare un sistema d'aspirazione polvere e indossare una maschera di protezione dalla polvere. Rimuovere i depositi di polvere, per esempio con un aspiratore.

Disinserire immediatamente la macchina in caso che si verificano delle forti oscillazioni oppure se si riscontrano altri difetti. Controllare la macchina per cercare di identificarne le cause.

Il pezzo in lavorazione deve essere ben bloccato in posizione a meno che non resti stabile per via del proprio peso. Non lasciare che nessuna parte metallica venga a contatto con l'apertura dell'areazione - pericolo di corto circuito

**AVVERTENZA!** Per ridurre il rischio d'incendio, di lesioni o di danni al prodotto causati da corto circuito, non immergere mai l'utensile, la batteria ricaricabile o il carica batterie in un liquido e non lasciare mai penetrare alcun liquido all'interno dei dispositivi e delle batterie. I fluidi corrosivi o conduttori come acqua salata, alcuni agenti chimici, agenti candeggianti o prodotti contenenti agenti candeggianti potrebbero provocare un corto circuito.

Utilizzare solo accessori Milwaukee con fissaggio adesivo  
Non aprire né la batteria né il caricatore e conservarli solo in luogo

asciutto. Proteggerli dalla umidità.

Le batterie del System M12 sono ricaricabili esclusivamente con i caricatori del System M12. Le batterie di altri sistemi non possono essere ricaricate.

### UTILIZZO CONFORME

La levigatrice può essere usata per levigare legno, plastica, metallo, stucco e superfici verniciate.

Non utilizzare il prodotto in altri modi diversi da quelli indicati per l'uso previsto.

### RISCHI RESIDUI

Anche in caso di utilizzo corretto non è possibile escludere tutti i rischi residui. Durante l'uso possono esistere i seguenti pericoli e l'utilizzatore deve porre particolare attenzione per evitarli:

- Lesioni causate da vibrazioni. Tenere il dispositivo sulle apposite impugnature e limitare i tempi di lavoro e di esposizione.
- L'esposizione al rumore può causare danni all'udito. Indossare una protezione per l'udito e limitare la durata dell'esposizione.
- Lesioni agli occhi causate da particelle di detriti. Indossare sempre occhiali di protezione, pantaloni lunghi pesanti, guanti e scarpe robuste.
- Inalazione di polveri tossiche.

### NOTE PER BATTERIE AGLI IONI DI LITIO

#### Uso di batterie agli ioni di litio

Batterie non utilizzate per molto tempo devono essere ricaricate prima dell'uso.

A temperature superiori ai 50°C, la potenza della batteria si riduce. Evitare di esporre l'accumulatore a surriscaldamento prolungato, dovuto ad esempio ai raggi del sole o ad un impianto di riscaldamento.

Per una ottimale vita utile è necessario ricaricare completamente le batterie dopo l'uso.

Per una più lunga durata, rimuovere le batterie dal caricabatterie quando saranno cariche.

In caso di immagazzinaggio della batteria per più di 30 giorni: Immagazzinare la batteria a circa 27°C in ambiente asciutto. Immagazzinare la batteria con carica di circa il 30% - 50%. Ricaricare la batteria ogni 6 mesi.

#### Protezione contro il sovraccarico di batterie agli ioni di litio

In caso di sovraccarico dell'accumulatore dovuto ad un consumo molto elevato di corrente, ad es. momenti di coppia estremamente elevati, arresto improvviso o corto circuito, l'utensile elettrico vibra per 5 secondi, il display di carica lampeggia e l'elettrotensile si spegne automaticamente.

Per riaccenderlo rilasciare l'interruttore e poi riaccenderlo. Se sottoposto a sollecitazioni estreme l'accumulatore si riscalda eccessivamente. In questo caso lampeggiano tutte le spie del display di carica finché l'accumulatore non è raffreddato. Quando il display di carica si spegne si può continuare a lavorare.

#### Trasporto di batterie agli ioni di litio

Le batterie agli ioni di litio sono soggette alle disposizioni di legge sul trasporto di merce pericolosa.

Il trasporto di queste batterie deve avvenire rispettando le disposizioni e norme locali, nazionali ed internazionali.

Gli utilizzatori possono trasportare queste batterie su strada senza alcuna restrizione.

Il trasporto commerciale di batterie agli ioni di litio è regolato dalle disposizioni sul trasporto di merce pericolosa. Le preparazioni al trasporto ed il trasporto stesso devono essere svolti esclusivamente da persone idoneamente istruite. Tutto il processo deve essere gestito in maniera professionale.

Durante il trasporto di batterie occorre tenere conto di quanto segue: Assicurarsi che i contatti siano protetti ed isolati per evitare corto circuiti.

Accertarsi che il gruppo di batterie non possa spostarsi all'interno dell'imballaggio. Batterie danneggiate o batterie che perdono liquido non devono essere trasportate. Per ulteriori informazioni si prega di contattare il proprio trasportatore.

### ISTRUZIONI DI LAVORO

#### Levigatura generale con levigatrici ad orbita casuale

Quando si usano levigatrici ad orbita casuale occorre tenere a mente diversi punti:

- a differenza della maggior parte delle levigatrici, quelle ad orbita casuale devono essere posizionate sul pezzo da lavorare PRIMA di avviare l'utensile. Se la levigatrice viene avviata prima di essere posizionata sul pezzo da lavorare, il tampone flottante può girare a una velocità che può causare graffi quando viene finalmente posizionato sul pezzo da lavorare.
- A differenza della maggior parte delle levigatrici, quelle ad orbita casuale possono essere spostate sul pezzo da lavorare in qualsiasi direzione (nel caso del legno, indipendentemente dalla direzione delle venature).
- La variazione della pressione applicata alla levigatrice influenzerà la sua velocità di rotazione. Si raccomanda una pressione leggera per i lavori fini e una pressione moderata per lavori grossolani. Una pressione eccessiva non permette ai tamponi di ruotare a sufficienza.
- Tenere il tampone di levigatura in piano sul pezzo da lavorare. Ribaltare la levigatrice o usare i bordi del tampone può produrre una finitura irregolare e ridurre la durata di vita del tampone.
- Mantenere la levigatrice in movimento con ampi movimenti uniformi sul pezzo da lavorare. Levigare troppo a lungo in un punto può causare scricchiolii e risultati non uniformi.
- Controllare spesso il pezzo da lavorare. Le levigatrici orbitali casuali sono più forti delle semplici levigatrici orbitali.

1. Posizionare la levigatrice sul pezzo da lavorare e accendere la levigatrice.

2. Tenere il foglio di levigatura piatto contro il pezzo da lavorare, mantenere la levigatrice in movimento sul pezzo da lavorare e procedere con colpi lunghi e ampi.

3. Iniziare la levigatura con una carta vetrata a grana grossa e utilizzare gradualmente grane sempre più fini di carta vetrata fino a raggiungere la finitura desiderata. Per esempio, quando si usa la levigatrice sul legno, cominciare con una grana 80, per passare poi a una grana 120, 180 e così via.

#### Rimozione di pittura o vernice

1. Quando si rimuovono diversi strati di pittura o vernice, rimuovere il più possibile con un solvente per pittura o uno sverniciatore.
2. Raschiare via il residuo con una spatola o un altro utensile di raschiamento e lasciare che la superficie si raffreddi e si asciughi prima di applicare la levigatrice al pezzo da lavorare.
3. Scegliere un foglio di carta di levigatura grana grossa per evitare che la carta si inceppi.
4. Mantenere la levigatrice in movimento sulle nuove aree per evitare di riscaldare e ammorbidire il vecchio rivestimento (vernice o pittura).
5. Procedere con movimenti larghi e sovrapposti per produrre una finitura uniforme.
6. Quando si comincia a vedere il pezzo attraverso il vecchio rivestimento, passare a un foglio di carta di media grana per evitare di graffiare la superficie del pezzo da lavorare. Passare gradualmente a una carta di levigatura di grana fine fino a raggiungere la finitura desiderata.

### LAVAGGIO E PULIZIA

Tener sempre ben pulite le fessure di ventilazione dell'apparecchio.

### MANUTENZIONE

Usare solo accessori Milwaukee e pezzi di ricambio Milwaukee. Gruppi costruttivi la cui sostituzione non è stata descritta, devono essere fatti cambiare da un punto di servizio di assistenza tecnica al cliente Milwaukee (vedi depliant garanzia/indirizzi assistenza tecnica ai clienti).

In caso di mancanza del disegno esploso, può essere richiesto al seguente indirizzo: Techtronic Industries GmbH, Max-Eyth-Straße 10, 71364 Winnenden, Germany.

**SIMBOLI**

	Leggere attentamente le istruzioni per l'uso prima di mettere in funzione l'elettrotensile.
	ATTENZIONE! AVVERTENZA! PERICOLO!
	Prima di iniziare togliere la batteria dalla apparecchio..
	Non applicare forza.
	Durante l'uso dell'apparecchio utilizzare sempre gli occhiali di protezione.
	Portare un'adeguata mascherina protettiva.
	Accessorio - Non incluso nella dotazione standard, disponibile a parte come accessorio.
	I dispositivi elettrici, le batterie e le batterie ricaricabili non devono essere smaltiti con i rifiuti domestici. I dispositivi elettrici e le batterie devono essere raccolti separatamente e devono essere conferiti ad un centro di riciclaggio per lo smaltimento rispettoso dell'ambiente. Chiedere alle autorità locali o al rivenditore specializzato dove si trovano i centri di riciclaggio e i punti di raccolta.
$n_0$	Numero di giri a vuoto
$V$	Voltaggio
	Corrente continua
	Marchio di conformità europeo
	Marchio di conformità britannico
	Marchio di conformità ucraino
	Marchio di conformità euroasiatico

DATOS TÉCNICOS	M12 FDSS
Tipo de construcción	Lijadora vibratoria
Número de producción	4914 26 01 XXXXXX MJJJJ
Voltaje de batería	12 V =
Velocidad en vacío 1/2/3/4	0-8000 / 0-10000 / 0-12000 / 0-14000 min <sup>-1</sup>
Radio de las orbitas $\phi$	1,5 mm
Dimensiones del plato	88,8 x 63,5 mm
Peso de acuerdo con el procedimiento EPTA 01/2014 (Li-Ion 2,0 Ah ... 6,0 Ah)	0,76 ... 1,00 kg
Temperatura ambiente recomendada para la operación	-18 ... +50 °C
Juegos de baterías recomendados	M12B...
Cargadores recomendados	C12C; M12C4; M12-18...
<b>Información sobre ruidos:</b> Determinación de los valores de medición según norma EN 62841.	
El nivel de ruido típico del aparato determinado con un filtro A corresponde a:	
Presión acústica / Tolerancia K	64,69 dB (A) / 3 dB (A)
Resonancia acústica / Tolerancia K	75,69 dB (A) / 3 dB (A)
<b>Usar protectores auditivos!</b>	
<b>Informaciones sobre vibraciones:</b> Nivel total de vibraciones (suma vectorial de tres direcciones) determinado según EN 62841.	
Valor de vibraciones generadas $a_n$ / Tolerancia K	4,3 m/s <sup>2</sup> / 1,5 m/s <sup>2</sup>

**⚠️ ADVERTENCIA!**

El nivel de emisión de ruido y vibración indicado en esta hoja informativa se ha medido de acuerdo con una prueba estandarizada que figura en EN 62841 y se puede usar para comparar una herramienta con otra. Puede ser empleado para una evaluación preliminar de la exposición.

El nivel declarado emisión de vibración y ruido representa las principales aplicaciones de la herramienta. Sin embargo, si la herramienta se utiliza para diferentes aplicaciones, con diferentes accesorios o con un mantenimiento deficiente, la emisión de ruido y vibración puede diferir. Esto puede aumentar significativamente el nivel de exposición durante el periodo total de trabajo.

También se debe tener en cuenta una estimación del nivel de exposición a la vibración y el ruido cuando la herramienta está apagada o cuando está funcionando, pero no está haciendo su trabajo. Esto puede reducir significativamente el nivel de exposición durante el periodo total de trabajo.

Identifique medidas de seguridad adicionales para proteger al operador de los efectos de la vibración o el ruido, como realizar mantenimiento de la herramienta y los accesorios, mantener las manos calientes y organizar las pautas de trabajo.

**⚠️ ADVERTENCIA!** Lea las indicaciones de seguridad, instrucciones, descripciones y datos que se incluyen en el aparato. En caso de no atenerse a las instrucciones siguientes, ello puede provocar una electrocución, incendio y/o lesiones serias.  
**Guardar todas las advertencias de peligro e instrucciones para futuras consultas.**

**INSTRUCCIONES ADICIONALES DE SEGURIDAD Y LABORALES**

No manipular en el rodillo ni en las cuchillas con la máquina conectada. Nunca se debe intentar limpiar el polvo o viruta procedente del taladrado con la máquina en funcionamiento. Utilice el equipamiento de protección. Mientras trabaje con la máquina lleve siempre gafas protectoras. El polvo que se produce cuando se usa esta herramienta puede ser perjudicial para la salud. Use un sistema de absorción de polvo y utilice una máscara adecuada de protección contra el polvo. Limpie el polvo depositado, por ejemplo con un aspirador.

Desconectar inmediatamente el aparato al presentarse vibraciones fuertes u otras anomalías. Examine la máquina para determinar las posibles causas.

La pieza de trabajo debe fijarse adecuadamente, a no ser que se mantenga bien fija por su propio peso. Evite que cualquier pieza metálica alcance las ranuras de ventilación - ¡peligro de cortocircuito!

**ADVERTENCIA!** Para reducir el riesgo de incendio, lesiones personales y daños al producto debido a un cortocircuito, no sumerja nunca la herramienta, el paquete de baterías o el cargador en líquido ni permita que fluya un fluido dentro de ellos. Los fluidos corrosivos o conductivos, como el agua de mar, ciertos productos químicos industriales y blanqueadores o lejías que contienen, etc., Pueden causar un cortocircuito.

Utilizar solamente accesorios y lijas originales Milwaukee con

fijación tipo Velcro.

No abra nunca las baterías ni los cargadores y guárdelos sólo en lugares secos. Protéjalos de la humedad en todo momento.

Recargar solamente los acumuladores del Sistema M12 en cargadores M12. No intentar recargar acumuladores de otros sistemas.

**APLICACIÓN DE ACUERDO A LA FINALIDAD**

La lijadora se puede utilizar para lijar madera, plástico, metal, masilla y superficies pintadas.

No use el producto de ninguna manera que no sea la indicada para el uso previsto.

**PELIGROS RESIDUALES**

Incluso en caso de un uso correcto, no es posible excluir por completo la existencia de riesgos residuales. Durante el uso de la máquina se pueden producir los siguientes riesgos a tener en cuenta especialmente por el operador de la misma.

- Lesiones provocadas por efecto de la vibración. Sujete el dispositivo utilizando las empuñaduras previstas para ello y limite el tiempo de trabajo y de exposición a riesgos.
- La contaminación acústica puede provocar lesiones auditivas. Lleve una protección auditiva y limite el tiempo de exposición a riesgos.
- Lesiones oculares producidas por partículas de suciedad. Lleve siempre gafas protectoras, pantalones resistentes y largos y calzado resistente.
- Inhalación de polvos tóxicos.

## INDICACIONES PARA BATERÍAS DE IONES DE LITIO

### Uso de baterías de iones de litio

Las baterías no utilizadas durante cierto tiempo deben ser recargadas antes de usar.

Las temperaturas superiores a 50°C reducen el rendimiento de la batería. Evite una exposición excesiva a fuentes de calor o al sol (riesgo de sobrecalentamiento).

Los puntos de contacto de los cargadores y las baterías se deben mantener limpios.

Para un tiempo óptimo de vida, deberán cargarse las baterías completamente después de su uso.

Para garantizar la máxima capacidad y vida útil, las baterías recargables se deberían retirar del cargador una vez finalizada la carga.

En caso de almacenar la batería recargable más de 30 días:

Almacenar la batería recargable en un lugar seco a una temperatura de aproximadamente 27°C.

Almacenar la batería recargable con un estado de carga del 30% y 50% aproximadamente.

Recargar la batería cada 6 meses.

### Protección de sobrecarga de baterías en baterías de iones de litio

En caso de sobrecarga de la batería a causa de un consumo de corriente demasiado elevado, por ejemplo, en momentos de torsión extremadamente altos, de una parada o cortocircuito repentinos; el aparato eléctrico vibra durante 5 segundos, el indicador de carga parpadea y el aparato eléctrico se desconecta automáticamente.

Para conectarlo de nuevo, soltar el botón de encendido y después conectarlo otra vez. Bajo cargas extremas la batería se calienta demasiado. En este caso, todas las luces del indicador de carga parpadean hasta que la batería se enfría. Cuando se apaga el indicador de carga se puede trabajar de nuevo.

### Transporte de baterías de iones de litio

Las baterías de iones de litio caen bajo las disposiciones legales relativas al transporte de mercancías peligrosas.

El transporte de estas baterías recargables debe llevarse a cabo, observando las normas y disposiciones locales, nacionales e internacionales.

Los consumidores pueden transportar estas baterías recargables sin el menor reparo en la calle.

El transporte comercial de baterías recargables de iones de litio por empresas de transportes está sometido a las disposiciones del transporte de mercancías peligrosas. Las preparaciones para el envío y el transporte deben ser llevados a cabo exclusivamente por personas instruidas adecuadamente. El proceso completo debe ser supervisado por personal competente.

Los siguientes puntos se deben observar para el transporte de las baterías recargables:

Se debe asegurar que los contactos estén protegidos y aislados para evitar que se produzcan cortocircuitos.

Preste atención a que el conjunto de baterías recargables no se pueda desplazar dentro del envase. Las baterías recargables deterioradas o derramadas no se deben transportar. Rogamos que para cualquier información adicional se dirija a su empresa de transportes.

## INDICACIONES PARA EL TRABAJO

### Lijado general con lijadoras orbitales aleatorias

Al utilizar lijadoras orbitales aleatorias deben tenerse en cuenta algunas cosas:

- A diferencia de la mayoría de las lijadoras, las lijadoras orbitales aleatorias deben colocarse en la pieza de trabajo ANTES de poner en marcha la herramienta. Si la lijadora se pone en marcha antes de colocarla en la pieza de trabajo, el disco fluctuante puede estar girando a una velocidad que puede causar arañazos cuando finalmente se coloque en la pieza.
- A diferencia de la mayoría de las lijadoras, las lijadoras orbitales

aleatorias pueden moverse a través de la pieza de trabajo en cualquier dirección (en el caso de la madera, independientemente de la dirección del grano).

- La variación de la presión aplicada a la lijadora afectará a su velocidad de giro. Se recomienda aplicar una presión ligera para trabajos de precisión y una presión moderada para trabajos aproximados. Una presión excesiva no permite que el disco gire lo suficiente.
- Mantenga el disco de lijado plano sobre la pieza de trabajo. Inclinar la lijadora o utilizar los bordes del disco puede producir un acabado irregular y reducir la vida útil del disco.
- Mantenga la lijadora trazando movimientos amplios y uniformes sobre la pieza de trabajo. Lijar en un punto durante demasiado tiempo puede causar raspados y resultados desiguales.
- Compruebe la pieza de trabajo con frecuencia, ya que las lijadoras orbitales aleatorias trabajan de forma más agresiva que las lijadoras orbitales simples.

1. Coloque la lijadora sobre la pieza de trabajo y encienda la lijadora.
2. Mantenga el papel de lija plano contra la pieza de trabajo, mantenga la lijadora en movimiento a lo largo de la pieza de trabajo y utilice movimientos largos y de barrido.
3. Comience a lijar con un papel de lija de grano grueso y utilice gradualmente lijas cada vez más finas hasta alcanzar el acabado deseado. Por ejemplo, cuando utilice la lijadora en madera, comience con un grano 80, seguido de un grano 120, luego un grano 180 y así sucesivamente.

### Eliminar pintura o barniz

1. Cuando se eliminen varias capas de pintura o barniz, retire la mayor cantidad posible con un disolvente de pintura o desbarnizador.
2. Raspe los residuos con una espátula u otra herramienta de raspado y deje que la superficie se enfríe y se seque antes de utilizar la lijadora en la pieza.
3. Seleccione una hoja de lija de grano grueso para evitar que el papel de lija se atasque.
4. Mantenga la lijadora en movimiento sobre las zonas nuevas para evitar que se caliente y ablande el revestimiento antiguo (pintura o barniz).
5. Trabaje con trazos amplios y superpuestos para obtener un acabado uniforme.
6. Cuando la pieza empiece a mostrar el revestimiento antiguo, cambie a una hoja de papel de lija de grano medio para evitar arañar la superficie de la pieza. Cambie gradualmente a un papel de lija de grano fino hasta conseguir el acabado deseado.

## LIMPIEZA

Las ranuras de ventilación de la máquina deben estar despejadas en todo momento.

## MANTENIMIENTO

Utilice solamente accesorios y repuestos Milwaukee. En caso de necesitar reemplazar componentes no descritos, contacte con cualquiera de nuestras estaciones de servicio Milwaukee (consultar lista de servicio técnicos)

En caso necesario, puede solicitar un despiece de la herramienta. Por favor indique el número de impreso que hay en la etiqueta y pida el despiece a la siguiente dirección: Techtronic Industries GmbH, Max-Eyth-Straße 10, 71364 Winnenden, Germany.

## SÍMBOLOS



Lea las instrucciones detenidamente antes de conectar la herramienta



¡ATENCIÓN! ¡ADVERTENCIA! ¡PELIGRO!



Retire la batería antes de comenzar cualquier trabajo el aparato.



No aplique fuerza.



Para trabajar con la máquina, utilizar siempre gafas de protección.



Utilice por ello una máscara protectora contra polvo.



Accesorio - No incluido en el equipo estándar, disponible en la gama de accesorios.



Los electrodomésticos y las baterías/acumuladores no se deben eliminar junto con la basura doméstica. Los aparatos eléctricos y los acumuladores se deben recoger por separado y se deben entregar a una empresa de reciclaje para una eliminación respetuosa con el medio ambiente. Infórmese en las autoridades locales o en su tienda especializada sobre los centros de reciclaje y puntos de recogida.

$n_0$

Velocidad en vacío

V

Tensión



Corriente continua



Marcado de conformidad europeo



Marcado de conformidad británico



Marcado de conformidad ucraniano



Marcado de conformidad euroasiático

CARACTERÍSTICAS TÉCNICAS		M12 FDSS
Tipo	rebarbadora de vibração,	
Número de produção	4914 26 01 XXXXXX MJJJJ	
Tensão do acumulador	12 V =	
Velocidade em vazio 1/2/3/4	0-8000 / 0-10000 / 0-12000 / 0-14000 min <sup>-1</sup>	
Ø do círculo vibratório	1,5 mm	
Dimensões da base de ligação	88,8 x 63,5 mm	
Peso nos termos do procedimento-EPTA 01/2014 (Li-Ion 2,0 Ah ... 6,0 Ah)	0,76 ... 1,00 kg	
Temperatura ambiente recomendada para a operação	-18 ... +50 °C	
Conjuntos de baterias recomendados	M12B...	
Carregadores recomendados	C12C; M12C4; M12-18...	
<b>Informações sobre ruído:</b> Valores de medida de acordo com EN 62841.		
O nível de ruído avaliado A do aparelho é tipicamente:		
Nível da pressão de ruído / Incerteza K	64,69 dB (A) / 3 dB (A)	
Nível da potência de ruído / Incerteza K	75,69 dB (A) / 3 dB (A)	
<b>Use protectores auriculares!</b>		
<b>Informações sobre vibração:</b> Valores totais de vibração (soma dos vectores das três direcções) determinadas conforme EN 62841.		
Valor de emissão de vibração a <sub>v</sub> / Incerteza K	4,3 m/s <sup>2</sup> / 1,5 m/s <sup>2</sup>	

## ATENÇÃO!

O nível de emissão de ruído e vibração fornecido nesta ficha de informações foi medido de acordo com um teste padronizado que se encontra na norma EN 62841, podendo ser utilizado para fazer comparações entre ferramentas. Pode ser utilizado para fazer uma avaliação preliminar da exposição.

O nível de emissão de ruído e vibração declarado representa as principais aplicações da ferramenta. No entanto, se a ferramenta for utilizada para aplicações diferentes ou com acessórios distintos, ou se a sua manutenção for deficiente, a emissão de ruídos e vibrações poderá diferir. Isso poderá aumentar significativamente o nível de exposição ao longo do período de trabalho total.

A estimativa do nível de exposição à vibração e ruído também deve ter em conta os tempos em que a ferramenta, quer desligada quer em funcionamento, não está realmente a trabalhar. Isso poderá reduzir significativamente o nível de exposição ao longo do período de trabalho total.

Identifique medidas de segurança adicionais para proteger o operador contra os efeitos da vibração e/ou ruído, tais como: fazer a manutenção da ferramenta e dos acessórios, manter as mãos quentes, organizar padrões de trabalho.

**ATENÇÃO!** Ler todas as indicações de segurança, instruções, representações e dados fornecidos juntamente com o aparelho. O desrespeito das seguintes instruções pode levar a um choque eléctrico, incêndio e/ou graves lesões.

**Guarde bem todas as advertências e instruções para futura referência.**

## INSTRUÇÕES DE SEGURANÇA E TRABALHO SUPLEMENTARES

Não introduza as mãos na área perigosa, estando a máquina em funcionamento. Não remover aparas ou lascas enquanto a máquina trabalha. Utilizar equipamento de protecção. Durante os trabalhos com a máquina, usar sempre óculos de protecção. A poeira gerada ao trabalhar com esta ferramenta pode ser perigosa para a saúde e por isso não deve atingir o corpo. Utilize um sistema de absorção de poeiras e use uma máscara de protecção. Retire completamente a poeira depositada, por exemplo com um aspirador.

Desligar imediatamente o aparelho, se ocorrerem grandes oscilações ou se forem observadas outras avarias. Controlar a máquina para determinar a causa.

A peça a ser trabalhada deve ser fixada, caso não esteja firme devido ao seu peso próprio. Não deixe que peças metálicas toquem nas fendas de circulação de ar - perigo de curto-circuitos.

**ATENÇÃO!** Para evitar o risco de incêndio, de feridas ou de danificação do produto causado por um curto-circuito, não imerja a bateria intercambiável ou o carregador em líquidos e assegure-se de que líquidos não penetrem nos aparelhos ou nas baterias. Líquidos corrosivos ou condutivos como água salgada, determinadas substâncias químicas ou produtos que contenham branqueadores podem causar um curto-circuito.

Só utilizar folhas de lixa e acessórios de polir com fixação autoaderente da Milwaukee.

Carregadores só devem ser utilizados em recintos secos.

Use apenas carregadores do Sistema M12 para recarregar os acumuladores do Sistema M12. Não utilize acumuladores de outros sistemas.

## UTILIZAÇÃO AUTORIZADA

A lixadeira pode ser utilizada para lixar madeira, plástico, metal, material de enchimento e superfícies pintadas.

Não utilize o produto de qualquer outra forma além das indicadas para a utilização prevista.

## RISCOS RESIDUAIS

Mesmo em caso de utilização correta não é possível excluir todos os riscos residuais. Na utilização da máquina podem ser causados os seguintes perigos que o utilizador deve observar:

- Feridas causadas pela vibração. Segure o aparelho nos punhos previstos e limite o tempo de trabalho e exposição.
- Os ruídos podem levar à perda de audição. Use um protetor auricular e limite o período de exposição.
- Feridas dos olhos causadas por partículas de sujeira. Sempre use óculos de protecção, calças compridas sólidas e calçados sólidos.
- Inalação de pós tóxicos.

## NOTAS PARA BATERIAS DE IÕES DE LÍTIU

### Utilização de iões de lítio

Acumuladores não utilizados durante algum tempo devem ser recarregados antes da sua utilização.

Temperaturas acima de 50°C reduzem a capacidade do bloco acumulador. Evitar exposição prolongada ao sol ou a caloríferos. Manter limpos os contactos eléctricos no carregador e no bloco acumulador.

Para uma vida útil óptima das baterias, terá que carregá-las plenamente após a sua utilização.

Para assegurar uma vida útil longa, o pacote de bateria deve ser removido da carregadora depois do carregamento.

Se o pacote de bateria for armazenado por mais de 30 dias: Armazene o pacote de bateria com aprox. 27°C em um lugar seco. Armazene o pacote de bateria com aprox. 30%-50% da carga completa.

Carregue o pacote de bateria novamente de 6 em 6 meses.

## Proteção contra sobrecarga para baterias de iões de lítio

No caso de sobrecarga da bateria devido a um consumo de corrente demasiado elevado, por exemplo um binário de rotação extremamente elevado, uma paragem repentina ou um curto-circuito, a ferramenta eléctrica vibra durante 5 segundos, o indicador de carregamento de bateria começa a piscar e a ferramenta eléctrica desliga-se automaticamente.

Para a ligar novamente, desligar e voltar a ligar o interruptor Sob condições extremas, a bateria aquece demasiado. Nesse caso, todas as luzes do indicador de carregamento de bateria piscam até que esta arrefeça. Após as luzes do indicador de carregamento de bateria se apagarem, pode-se continuar a trabalhar.

## Transporte de baterias de ião-lítio

Baterias de ião-lítio estão sujeitas às disposições da legislação relativa às substâncias perigosas.

O transporte destas baterias deve ser efetuado de acordo com as disposições e os regulamentos locais, nacionais e internacionais.

O utilizador pode efetuar o transporte rodoviário destas baterias sem restrições.

O transporte comercial de baterias de ião-lítio por terceiros está sujeito aos regulamentos relativos às substâncias perigosas. A preparação do transporte e o transporte devem ser executados exclusivamente por pessoas instruídas e o processo deve ser acompanhado pelos especialistas correspondentes.

Observe o seguinte no transporte de baterias:

Assegure-se de que os contactos terminais estejam protegidos e isolados para evitar um curto-circuito.

Assegure-se de que o bloco da bateria esteja protegido contra movimentos na embalagem. Não transporte baterias danificadas ou que tenham fuga. Para instruções mais detalhadas consulte a companhia de transportes

## DICAS DE TRABALHO

### Lixamento geral com Lixadeiras orbitais aleatórias

Quando usar lixadeiras orbitais aleatórias, ter em atenção o seguinte:

- Ao contrário da maioria das lixadeiras, as lixadeiras orbitais aleatórias devem ser colocadas na peça de trabalho ANTES de ligar a ferramenta. Se a lixadeira for ligada antes de ser colocada na peça de trabalho, o disco flutuante pode girar a uma velocidade que pode causar arranhões, no momento em que é colocado na peça de trabalho.
- Ao contrário da maioria das lixadeiras, as lixadeiras orbitais aleatórias podem ser deslocadas em qualquer direcção (no caso da madeira, independentemente da direcção do grão) na peça de trabalho.
- A pressão variável aplicada a lixadeira afeta a respetiva velocidade de rotação. Recomenda-se uma ligeira pressão para um bom trabalho, uma pressão moderada para trabalhos brutos. A pressão excessiva não permite que o disco rode o suficiente.
- Mantenha o disco de lixar plano na peça de trabalho. A inclinação da lixadeira ou a utilização das bordas do disco pode produzir um acabamento irregular, e reduzir a vida útil do disco.
- Mantenha a lixadeira a trabalhar ao longo da peça de trabalho, usando movimentos de varredura amplos e uniformes. Lixar num ponto demasiado tempo pode causar bloqueios e resultados não uniformes.
- Verifique regularmente a peça de trabalho: as lixadeiras orbitais aleatórias trabalham com maior agressividade do que as lixadeiras orbitais simples.

1. Coloque a lixadeira na peça de trabalho e ligue-a.

2. Mantenha a folha de lixa plana contra a peça de trabalho, desloque a lixadeira sobre a peça de trabalho de modo contínuo e com movimentos longos e amplos.

3. Inicie o lixamento com uma lixa grão mais grossa e vá alternando gradualmente para lixas de grão mais fino até obter o acabamento desejado. Por exemplo, ao usar a lixadeira em madeira, comece com um Grão 80, alterne para um Grão 120, depois um Grão 180 e assim por diante.

## Remoção de Tinta ou Verniz

1. Ao remover várias camadas de tinta ou verniz, comece por tentar retirar o máximo possível com um solvente de tinta ou um dissolvente de verniz.

2. Raspe o resíduo com uma espátula ou outra ferramenta de raspagem e deixe a superfície arrefecer e secar antes de colocar a lixadeira sobre a peça de trabalho.

3. Escolha uma lixa grão mais grossa para ajudar a evitar o bloqueio da lixa grão.

4. Opte por manter a lixadeira em movimento sobre áreas ainda não tratadas para evitar o aquecimento e amolecimento do revestimento antigo (pinta ou verniz).

5. Trabalhe com movimentos de varredura amplos e por camadas, para obter um acabamento uniforme.

6. Assim que a peça de trabalho começar a aparecer através do revestimento antigo, alterne para uma lixa grão média, para evitar arranhar a superfície da peça de trabalho. Vá alternando gradualmente para lixas de grão mais fino até obter o acabamento desejado.

## LIMPEZA

Mantém desobstruídos os rasgos de ventilação na carcaça da máquina.

## MANUTENÇÃO

Utilizar apenas acessórios Milwaukee e peças sobresselentes Milwaukee. Os componentes cuja substituição não esteja descrita devem ser substituídos num serviço de assistência técnica Milwaukee (consultar a brochura relativa à garantia/moradas dos serviços de assistência técnica).

A pedido e mediante indicação da referência que consta da chapa de características da máquina, pode requerer-se um desenho explosivo da ferramenta eléctrica a: Techtronic Industries GmbH, Max-Eyth-Straße 10, 71364 Winnenden, Germany.



## SÍMBOLOS

	Leia atentamente o manual de instruções antes de colocar a máquina em funcionamento.
	ATENÇÃO! PERIGO!
	Antes de efectuar qualquer intervenção o aparelho retirar o bloco acumulador..
	Não aplique força.
	Usar sempre óculos de protecção ao trabalhar com a máquina.
	Use uma máscara de protecção contra pó apropriada.
	Acessório - Não incluído no equipamento normal, disponível como acessório.
	Aparelhos eléctricos, baterias/acumuladores não devem ser jogados no lixo doméstico. Os aparelhos eléctricos e as baterias devem ser colectados separadamente e entregues a uma empresa de reciclagem para a eliminação correcta. Solicite informações sobre empresas de reciclagem e postos de colecta de lixo das autoridades locais ou do seu vendedor autorizado.
$n_0$	Velocidade em vazio
V	Tensão
	Corrente contínua
	Marca de Conformidade Europeia
	Marca de Conformidade Britânica
	Marca de Conformidade Ucraniana
	Marca de Conformidade Eurasática

## TECHNISCHE GEGEVENS

	M12 FDSS
Type	vlakschuurmachine
Productienummer	4914 26 01 XXXXXX MJJJJ
Spanning wisselakku	12 V =
Onbelast toerental 1/2/3/4	0-8000 / 0-10000 / 0-12000 / 0-14000 min <sup>-1</sup>
Schuurcirkel - $\emptyset$	1,5 mm
Afmeting schuurzool	88,8 x 63,5 mm
Gewicht volgens de EPTA-procedure 01/2014 (Li-Ion 2,0 Ah ... 6,0 Ah)	0,76 ... 1,00 kg
Aanbevolen omgevingstemperatuur voor het bedrijf	-18 ... +50 °C
Aanbevolen accupacks	M12B...
Aanbevolen laadtoestellen	C12C; M12C4; M12-18...
<b>Geluidsinformatie:</b> Meetwaarden vastgesteld volgens EN 62841. Het kenmerkende A-gewogen geluidsniveau van de machine bedraagt:	
Geluidsdrukniveau / Onzekerheid K	64,69 dB (A) / 3 dB (A)
Geluidsvermogeniveau / Onzekerheid K	75,69 dB (A) / 3 dB (A)
<b>Draag oorbeschermers!</b>	
<b>Trillingsinformatie:</b> Totale trillingswaarden (vectorsom van drie richtingebepaald volgens EN 62841.	
Trillingsemisiewaarde $a_{h,v}$ / Onzekerheid K	4,3 m/s <sup>2</sup> / 1,5 m/s <sup>2</sup>

## WAARSCHUWING!

De in dit informatieblad vermelde trillings- en geluidsniveaus zijn gemeten in overeenstemming met een standaard testmethode conform EN 62841 en kunnen worden gebruikt om gereedschap met elkaar te vergelijken. Deze kunnen ook worden gebruikt voor het vooraf evalueren van de blootstelling.

De vermelde trillings- en geluidsniveaus gelden voor de meest gebruikelijke toepassingen van het gereedschap. Wanneer het gereedschap echter voor andere doeleinden of met andere hulpstukken gebruikt wordt of niet naar behoren onderhouden wordt, kan de mate van blootstelling over de hele werkperiode aanzienlijk hoger uitvallen.

Voor een nauwkeurige inschatting van de blootstelling aan trillingen en geluid moet ook de tijd in aanmerking worden genomen die het apparaat uitgeschakeld is of weliswaar loopt, maar niet werkelijk in gebruik is. Dit kan de waarde van de mate aan blootstelling over de hele werkperiode aanzienlijk verminderen.

IBepaal extra veiligheidsmaatregelen ter bescherming van de gebruiker tegen de gevolgen van trillingen en/of geluid, bijvoorbeeld: onderhoud van het gereedschap en hulpstukken, warmhouden van de handen, organisatie van de werkprocessen.

**WAARSCHUWING!** Lees en bekijk alle veiligheidsaanwijzingen, aanwijzingen, afbeeldingen en gegevens die u bij het apparaat ontvangt. Als u de volgende aanwijzingen niet in acht neemt, kunnen een elektrische schok, brand en/of ernstig letsel het gevolg zijn.

**Bewaar alle waarschuwingen en voorschriften voor toekomstig gebruik.**

## VERDERE VEILIGHEIDS- EN WERKINSTRUCTIES

Niet aan de draaiende delen komen. Spanen of splinters mogen bij draaiende machine niet worden verwijderd. Draag veiligheidsuitrusting. Bij werkzaamheden met de machine dient u altijd een veiligheidsbril te dragen. Stof die vrijkomt tijdens het werken vormt vaak een gevaar voor de gezondheid en mag niet met het lichaam in aanraking komen. Machines met stofafzuiging gebruiken en tevens geschikte stofmaskers dragen. Vrijgekomen stof grondig verwijderen resp. opzuigen.

Machine onmiddellijk controleren als sterke trillingen optreden of andere gebreken worden vastgesteld. Controleer de machine om de oorzaak vast te stellen.

Het te bewerken werkstuk moet vast worden ingespannen als het niet door het eigen gewicht stabiel ligt. Vanwege kortsluitingsgevaar mogen metaaldeeltjes niet in de luchtschachten terechtkomen.

**WAARSCHUWING!** Voorkom brand, persoonlijk letsel of materiële schade door kortsluiting en dompel het gereedschap, de wisselaccu en het laadtoestel niet onder in vloeistoffen en waarborg dat geen vloeistoffen in de apparaten en accu's kunnen dringen. Corrosieve of geleidende vloeistoffen zoals zout water, bepaalde chemicaliën, bleekmiddelen of producten die bleekmiddelen bevatten, kunnen een kortsluiting veroorzaken.

Alleen origineel Milwaukee schuur- en polijstgereedschap met zelfhechtende klit hechting gebruiken.

Wisselakku's en laadapparaten niet openen en alleen in droge ruimtes opslaan. Tegen vocht beschermen.

Wisselakku's van het Akku-Systeem M12 alléén met laadapparaten van het Akku-Systeem M12 laden. Geen akku's van andere systemen laden.

## VOORGESCHREVEN GEBRUIK VAN HET SYSTEEM

De schuurmachine kan worden gebruikt voor het schuren van hout, plastic, metaal, vulmiddel en geleverde oppervlakken.

Gebruik het product op geen andere wijze dan is aangegeven voor het beoogde gebruik.

## RESTERENDE GEVAREN

Ook als de machine volgens de voorschriften gebruikt wordt, kunnen niet alle risico's worden uitgesloten. Let bij het gebruik op de volgende gevaren:

- Door vibraties veroorzaakt letsel. Houd de machine vast aan de daarvoor bedoelde grepen en beperk de tijd die u met de machine werkt en waarin u aan de vibraties wordt blootgesteld.
- Lawaai kan leiden tot gehoorschade. Draag een gehoorbescherming en beperk de tijd waarin u aan het lawaai wordt blootgesteld.
- Door vuildeeltjes veroorzaakt oogletsel. Draag altijd een veiligheidsbril, nauwsluitende, lange broeken, handschoenen en vast schoeisel.
- Inademen van toxische stoffen.

## OPMERKINGEN OVER LI-ION-ACCU'S

### Gebruik van li-ion-accu's

Langere tijd niet toegepaste wisselakku's vóór gebruik altijd naladen.

Een temperatuur boven de 50°C vermindert de capaciteit van de accu. Langdurige verwarming door zon of hitte vermijden. De aansluitcontacten aan het laadapparaat en de accu schoonhouden.

Voor een optimale levensduur moeten de accu's na het gebruik volledig opgeladen worden.

Voor een zo lang mogelijke levensduur van de accu's dienen deze na het opladen uit het laadtoestel te worden verwijderd.

Bij een langere opslag van de accu dan 30 dagen:

accu bij ca. 27 °C droog bewaren.

accu bij ca. 30 % - 50 % van de laadtoestand bewaren.

accu om de 6 maanden opnieuw opladen.

#### Overbelastingsbeveiliging voor li-ion-accu's

Bij overbelasting van de accu door zeer hoog stroomverbruik, bijv. extreem hoge draaimomenten, plotseling stoppen of kortsluiting, vibreert het elektrische gereedschap gedurende 5 seconden, de laadweergave knippert en het elektrische gereedschap schakelt automatisch uit.

Om het gereedschap weer in te schakelen, moet u de drukschakelaar loslaten en vervolgens weer inschakelen. Onder extreme belastingen wordt de accu te heet. In dit geval knipperen alle lampen van de laadweergave totdat de accu afgekoeld is. Na het doven van de laadweergave kunt u weer verder werken.

#### Transport van lithium-ionen-accu's

Lithium-ionen-accu's vallen onder de wettelijke bepalingen inzake het transport van gevaarlijke goederen.

Voor het transport van deze accu's moeten de lokale, nationale en internationale voorschriften en bepalingen in acht worden genomen.

Verbruikers mogen deze accu's zonder meer over de weg transporteren.

Het commerciële transport van lithium-ionen-accu's door expeditiebedrijven is onderhevig aan de bepalingen inzake het transport van gevaarlijke goederen. De verzendingsvoorbereidingen en het transport mogen uitsluitend worden uitgevoerd door dienovereenkomstig opgeleide personen. Het complete proces moet vakkundig worden begeleid.

Onderstaande punten moeten bij het transport van accu's in acht worden genomen:

Waarborg ter vermindering van kortsluitingen dat de contacten beschermd en geïsoleerd zijn.

Let op dat het accupack in de verpakking niet kan verschuiven. Beschadigde of lekkende accu's mogen niet worden getransporteerd. Neem voor meer informatie contact op met uw expeditiebedrijf.

#### ARBEIDSinSTRUCTIES

##### Algemeen schuren met excentrische schuurmachines

Bij het gebruik van excentrische schuurmachines moet met een aantal zaken rekening worden gehouden:

- Anders dan de meeste schuurmachines moeten excentrische schuurmachines op het te bewerken object worden geplaatst VOORDAT het apparaat wordt ingeschakeld. Als de schuurmachine wordt ingeschakeld voordat hij op het object staat, kan het vrij bewegende schuurvlak met een snelheid bewegen die krassen veroorzaakt als het uiteindelijk op het object wordt geplaatst.
- Anders dan de meeste schuurmachines kunnen excentrische schuurmachines in alle mogelijke richtingen over het object worden verplaatst (in het geval van hout: ongeacht de houtnerf).
- Het uitoefenen van druk op de schuurmachine beïnvloedt de draaisnelheid. Voor fijn werk wordt een lichte druk aanbevolen, voor zwaar werk een gemiddelde druk. Te veel druk zorgt ervoor dat het schuurvlak niet voldoende kan draaien.
- Houd het schuurvlak recht op het te bewerken object. Het kantelen van de schuurmachine of het gebruik van de randen van het schuurvlak kan een oneven afwerking opleveren of de levensduur van het schuurvlak verlagen.
- Beweeg de schuurmachine in brede, gelijkmatige bewegingen over het te bewerken object. Te lang op een bepaalde plek schuren kan leiden tot krassen en ongelijke resultaten.

- Controleer het te bewerken object regelmatig. Excentrische schuurmachines werken op een agressievere manier dan gewone vlakschuurmachines.

1. Plaats de schuurmachine op het te bewerken object en schakel de schuurmachine in.
2. Houd het schuurvlak plat op het te bewerken object, blijf de schuurmachine over het object bewegen en gebruik lange, vegende bewegingen.
3. Begin te schuren met een schuurpapier met een grove korrel en gebruik daarna geleidelijk finer en finer schuurpapier totdat de gewenste afwerking is bereikt. Als de schuurmachine bijvoorbeeld op hout wordt gebruikt: begin met een korrel van 80, gevolgd door een korrel van 120, daarna 180 enzovoorts.

#### Verwijderen van lak of verf

1. Als u meerdere lagen verf of lak verwijdert, probeer dan zoveel mogelijk te verwijderen met een oplosmiddel of lakverwijderaar.
2. Schrap het overgebleven materiaal af met een plamuurmes of ander schrapend gereedschap en laat het oppervlak afkoelen en opdrogen voordat u de schuurmachine gebruikt.
3. Selecteer een schuurpapier met een grove korrel zodat het schuurpapier niet dichtslibt.
4. Blijf de schuurmachine over nieuwe gebieden bewegen om verhitting en zacht worden van de oude coating (verf of lak) te voorkomen.
5. Werk in brede, overlappende bewegingen om een uniforme afwerking te bereiken.
6. Als het object door de oude coating heen zichtbaar begint te worden, schakelt u over naar een middelgrof schuurpapier om te voorkomen dat het oppervlak van het object bekrast wordt. Schakel geleidelijk over naar een schuurpapier met een fijnere korrel totdat u de gewenste afwerking hebt bereikt.

#### ONDERHOUD

Altijd de lichtspleten van de machine schoonhouden.








#### ONDERHOUD

Gebruik uitsluitend Milwaukee toebehoren en onderdelen. Indien componenten die moeten worden vervangen niet zijn beschreven, neem dan contact op met een officieel Milwaukee servicecentrum (zie onze lijst met servicecentra).

Onder vermelding van het nummer op het machineplaatje is desgewenst een doorsnedetekening van de machine verkrijgbaar bij: Techtronic Industries GmbH, Max-Eyth-Straße 10, 71364 Winnenden, Germany.

#### SYMBOLLEN

	Graag instructies zorgvuldig doorlezen vóórdat u de machine in gebruik neemt.
	OPGELET! WAARSCHUWING! GEVAAR!
	Voor alle werkzaamheden aan de apparat de akku verwijderen..
	Geen kracht uitoefenen.
	Bij het werken met de machine altijd een veiligheidsbril dragen.
	Draag derhalve een geschikt stofbeschermsmasker.

	Toebehoren - Wordt niet meegeleverd. Is apart leverbaar. Zie hiervoor het toebehorenprogramma.
	Elektrische apparaten, batterijen en accu's mogen niet via het huisafval worden afgevoerd. Elektrische apparaten en accu's moeten gescheiden worden verzameld en voor een milieuvriendelijke afvoer worden afgegeven bij een recyclingbedrijf. Informeer bij uw gemeente of bij uw vakhandelaar naar recyclingbedrijven en inzamelpunten.
$n_0$	Onbelast toerental
V	Spanning
	Gelijkstroom
	Europees symbool van overeenstemming
	Brits symbool van overeenstemming
	Oekraïens symbool van overeenstemming
	Euro-Aziatisch symbool van overeenstemming

TEKNISKE DATA	M12 FDSS
Type	Svingsliber
Produktionsnummer	4914 26 01 XXXXXX MJJJJ
Udskiftningsbatteriets spænding	12 V =
Omdrejningstal, ubelastet 1/2/3/4	0-8000 / 0-10000 / 0-12000 / 0-14000 min <sup>-1</sup>
Svingkreds-ø	1,5 mm
Mål for slibeplade	88,8 x 63,5 mm
Vægt svarer til EPTA-procedure 01/2014 (Li-Ion 2,0 Ah ... 6,0 Ah)	0,76 ... 1,00 kg
Anbefalet omgivelsestemperatur til driften	-18 ... +50 °C
Anbefalede batteripakker	M12B...
Anbefalede opladere	C12C; M12C4; M12-18...
<b>Støjinformation:</b> Måleværdier beregnes iht. EN 62841. Værktøjets A-vurderede støjniveau er typisk:	
Lydtrykniveau / Usikkerhed K	64,69 dB (A) / 3 dB (A)
Lydeffekt niveau / Usikkerhed K	75,69 dB (A) / 3 dB (A)
<b>Brug høreværn!</b>	
<b>Vibrationsinformation:</b> Samlede vibrationsværdier (værdisum for tre retninger) beregnet iht. EN 62841.	
Vibrationseksponering a <sub>v</sub> / Usikkerhed K	4,3 m/s <sup>2</sup> / 1,5 m/s <sup>2</sup>

## ADVARSEL!

Det vibrations- og støjemissionsniveau, der nævnes i dette oplysningskema, er blevet målt i overensstemmelse med en standardiseret test fra EN 62841, og det kan bruges til at sammenligne ét værktøj med et andet. Det kan bruges til en foreløbig bedømmelse af eksponeringen.

Det erklærede vibrations- og støjemissionsniveau repræsenterer værktøjets primære anvendelsesformål. Det er dog sådan, at hvis værktøjet bruges til andre formål, med forskelligt tilbehør eller dårlig vedligehold, så kan vibrations- og støjemissionen variere. Det kan evt. øge eksponeringsniveauet markant i løbet af det samlede arbejdstidsrum.

En vurdering af eksponeringsniveauet ift. vibration og støj bør også tage hensyn til de tidspunkter, hvor værktøjet er slukket eller hvor det kører, men rent faktisk ikke udfører jobbet. Det kan evt. mindske eksponeringsniveauet markant i løbet af det samlede arbejdstidsrum.

Identificér yderligere sikkerhedsforanstaltninger med henblik på at beskytte brugeren mod effekten af vibration og/eller støj, som fx: vedligehold værktøjet og tilbehøret, hold hænderne varme, organisering af arbejdsmonstre.

**ADVARSEL!** Læs alle sikkerhedsanvisninger, anvisninger, instruktioner og data, der følger med enheden. Overholder du ikke følgende instruktioner, kan du få elektrisk stød, der kan opstå brand og/eller du kan blive kvæstet alvorligt.

**Opbevar alle advarselshenvisninger og instrukser til senere brug.**

## YDERLIGERE SIKKERHEDS- OG ARBEJDSINFORMATIONER

Pas på ikke at få hånden ind i maskinen. Spåner eller splinter må ikke fjernes, medens maskinen kører. Brug beskyttelsesudstyr. Bær altid sikkerhedsbriller, når du arbejder med maskinen. Støv, som opstår i forbindelse med fræsearbejdet, er ofte sundhedsskadeligt og må ikke trænge ind i kroppen. Brug en støvsuger og bær egnet støvbeskyttelsesmaske. Fjern grundigt aflejret støv (f.eks. ved opugning).

Sluk straks for værktøjet, hvis der opstår betydelige svingninger eller der konstateres andre mangler. Kontrollér værktøjet og find frem til årsagen.

Det arbejdsemne, som skal bearbejdes, fastspændes, medmindre det holdes på plads af arbejdsemnets egenvægt. Metaldele må ikke trænge ind i ventilationsåbningerne, da dette kan føre til kortslutning **ADVARSEL!** For at undgå risiko for brand, kvæstelser eller beskadigelse af produktet forårsaget af kortslutning må værktøjet, batteripakken eller opladeren ikke nedsænkes i vand. Sørg ligeledes for, at der ikke trænger væske ind i enhederne og batterierne. Korroderende eller ledende væsker, f.eks. saltvand, bestemte kemikalier, blegestoffer eller produkter, som indeholder blegestoffer, kan forårsage kortslutning.

Brug kun originale Milwaukee-slibe- og polereværktøjer med velcrolukning.

Udskiftningsbatterier og opladere må ikke åbnes og skal opbevares i tørre rum. Beskyt dem mod fugtighed.

Brug kun M12 ladeapparater for opladning af System M12 batterier.

## TILTÆNKT FORMÅL

Slibemaskinen kan benyttes til slibning af træ, plastic, metal, spartelmasse og malede overflader.

Brug ikke produktet til andre formål, end de her beskrevne.

## RESTRISICI

Selv ved korrekt brug kan alle restrisici ikke udelukkes. Brugen kan medføre følgende farer, som operatøren bør være særlig opmærksom på:

- Kvæstelser, som forårsages af vibration. Hold maskinen fast i de dertil beregnede greb og begræns arbejds- og ekspositionstiden.
- Støbelastning kan medføre høreskader. Brug høreværn og begræns ekspositionstiden.
- Øjenskader på grund af snavspartikler. Brug altid beskyttelsesbriller, faste lange bukser, handsker og fast fodtøj.
- Indånding af giftigt støv.

## BEMÆRKNINGER VEDRØRENDE LI-ION-BATTERIER

### Brug af Li-ion-batterier

Udskiftningsbatterier, der ikke har været brugt i længere tid, efterlades inden brug.

Ved temperaturer over 50°C formindskes batteriets effekt. Undgå direkte sollys og stærk varme. Tilslutningskontaktterne på oplader og udskiftningsbatterier skal holdes rene.

For at opnå en optimal levetid skal de genopladelige batterier oplades fuldt efter brug.

For at sikre en så lang levetid som muligt skal batterierne tages ud af ladeaggregatet efter opladning.

Skal batterierne opbevares længere end 30 dage:

Temperatur ca. 27°C i tørre omgivelser.

Opbevares ved ca. 30%-50% af ladetilstanden.

Batteri skal genoplades hver 6. måned.

## Overbelastningsbeskyttelse vedrørende Li-Ion-batterier

Overbelastes batteriet på grund af meget højt strømforbrug, f.eks. som følge af ekstremt høje drejningsmomenter, pludseligt stop eller kortslutning, vibrerer el-værktøjet i 5 sekunder, ladeindikatoren blinker, og el-værktøjet slukker af sig selv.

For at tænde igen slippes trykknappen, hvorefter du tænder el-værktøjet igen. Ved ekstreme belastninger bliver batteriet for varmt. I så fald blinker alle lamper på ladeindikatoren, indtil batteriet er kølet af. Når ladeindikatoren går ud, kan arbejdet genoptages.

## Transport af lithium-batterier

Lithium-batterier er omfattet af lovgivningen om transport af farligt gods.

Transporten af disse batterier skal ske under overholdelse af lokale, nationale og internationale regler og bestemmelser.

Forbrugere må transportere disse batterier på veje uden yderligere krav.

Den kommercielle transport af lithium-batterier ved speditjonsfirmaer er omfattet af reglerne for transport af farligt gods. Forberedelsen af forsendelse og transport må kun udføres af tilsvarende trænedede personer. Den samlede proces skal følges af fagfolk.

Følgende punkter skal overholdes ved transport af batterier:

Sørg for at kontakterne er beskyttet og isoleret for at forhindre kortslutninger.

Sørg for at batteripakken ikke kan bevæge sig inden for emballagen. Beskadede eller lækkelige batterier må ikke transporteres. Kontakt dit speditjonsfirma for at få yderligere oplysninger.

## ARBEJDSANVISNINGER

### Generel slibning med excenterslibere

Når du bruger excenterslibere er der er par ting, du skal være opmærksom på:

- I modsætning til de fleste slibemaskiner bør excenterslibere placeres på arbejdsemnet **INDEN** værktøjet tændes. Hvis slibemaskinen er tændt inden den placeres på arbejdsemnet, kan den frit roterende pude rotere med en hastighed, som kan forårsage ridser, når den til sidst placeres på arbejdsemnet.
- I modsætning til de fleste slibemaskiner kan excenterslibere bevæges på tværs af arbejdsemnet i enhver retning (ved træ uafhængigt af træets årer).
- Når der benyttes forskelligt tryk på slibemaskinen, vil det påvirke dens rotationshastighed. Et let tryk anbefales til fint arbejde, mens et moderat tryk anbefales til grovere arbejde. Et for stort tryk giver ikke puden mulighed for at rotere nok.
- Hold slibepuder fladt på arbejdsemnet. Hvis du vipper slibemaskinen eller bruger pudens kanter, kan det medføre en ujævn finish og forkorte pudens levetid.
- Hold slibemaskinen i gang med brede, ensartede strøg på tværs af arbejdsemnet. Hvis du sliber for længe på samme sted kan det medføre udhuling og ujævne resultater.
- Tjek arbejdsemnet jævnligt, excenterslibere arbejder mere aggressivt end almindelige orbitalslibere.

1. Placer slibemaskinen på arbejdsemnet og tænd for slibemaskinen.
2. Hold slibepuden fladt mod arbejdsemnet, bevæg slibemaskinen på tværs af arbejdsemnet og brug lange fejende strøg.
3. Start slibningen med grovkornet sandpapir, og brug så efterhånden finere og finere sandpapir, indtil den ønskede finish er opnået. Hvis du fx bruger slibemaskinen på træ, så start med en kornstørrelse 80 efterfulgt af 120, så 180 og så videre.

### Fjernelse af maling eller lak

1. Når du fjerner flere lag maling eller lak, så fjern så meget som muligt med et opløsningsmiddel til maling eller en lakfjerner.
2. Skrab resterne af med en spatel eller et andet skrabeværktøj, og lad overfladen køle af og tørre, inden du bruger slibemaskinen på arbejdsemnet.
3. Vælg et grovkornet sandpapir, så du hjælper med at undgå, at sandpapiret tilstoppes.
4. Hold slibemaskinen i gang, når du bevæger den hen over nye

områder, så du undgår at overophede og blødgøre den gamle belægning (maling eller lak).

5. Arbejd med brede, overlappende strøg, så du skaber en ensartet finish.

6. Når arbejdsemnet begynder at kunne ses gennem den gamle belægning, så skift til middel groft sandpapir, så du undgår at ridse arbejdsemnets overflade. Skift gradvist til fint sandpapir, indtil du har opnået den ønskede finish.

## RENGØRING

Hold altid maskinens ventilationsåbninger rene.

## VEDLIGEHOLDELSE

Brug kun Milwaukee-tilbehør og Milwaukee-reservedele. Komponenter, hvor udskiftningsproceduren ikke er beskrevet, skal skiftes ud hos et Milwaukee-servicested (se brochure garanti/kundeserviceadresser).

Ved opgivelse af type nr. der er angivet på maskinens effektskilt, kan de rekvirere en reservedelstegning, ved henvendelse til: Techtronic Industries GmbH, Max-Eyth-Straße 10, 71364 Winnenden, Germany.

**SYMBOLER**

	Læs brugsanvisningen nøje før ibrugtagning.
	VIGTIGT! ADVARSEL! FARE!
	Ved arbejde inden i maskinen, bør batteriet tages ud..
	Brug ikke kraft.
	Når der arbejdes med maskinen, skal man have beskyttelsesbriller på.
	Benyt egnet åndedrætsværn.
	Tilbehør - Ikke inkluderet i leveringsomfanget, køb købes som tilbehør.
	Elektrisk udstyr eller (genopladelige) batterier må ikke bortskaffes sammen med det almindelige husholdningsaffald. Elektrisk udstyr og genopladelige batterier skal indsamles særskilt og afleveres hos en genbrugsvirksomhed til en miljømæssig forsvarlig bortskaffelse. Spørg de lokale myndigheder eller din forhandler om genbrugsstationer og indsamlingssteder til sådant affald.
$n_0$	Omdrejningstal, ubelastet
V	Spænding
	Jævnstrøm
	Europæisk konformitetsmærke
	Britisk konformitetsmærke
	Ukrainsk konformitetsmærke
	Eurasisk konformitetsmærke

TEKNISKE DATA	M12 FDSS
Type	Sirkelnde slipeapparat
Produktionsnummer	4914 26 01 XXXXXX MJJJJ
Spenning vekselbatteri	12 V =
Tomgangsturtall 1/2/3/4	0-8000 / 0-10000 / 0-12000 / 0-14000 min <sup>-1</sup>
Svingekrets-Ø	1,5 mm
Mål, slipesåle	88,8 x 63,5 mm
Vekt i henhold til EPTA-Prosedyren 01/2014 (Li-Ion 2,0 Ah ... 6,0 Ah)	0,76 ... 1,00 kg
Anbefalt omgivelsestemperatur for drift	-18 ... +50 °C
Anbefalte batteripakker	M12B...
Anbefalte ladere	C12C; M12C4; M12-18...
<b>Støynformasjon:</b> Måleverdier fastslått i samsvar med EN 62841. Det typiske A-bedømte støynivået for maskinen er:	
Lydtryknivå / Usikkerhet K	64,69 dB (A) / 3 dB (A)
Lydeffektnivå / Usikkerhet K	75,69 dB (A) / 3 dB (A)
<b>Bruk hørselsvern!</b>	
<b>Vibrasjonsinformasjoner:</b> Totale svingningsverdier (vektorsum fra tre retninger) beregnet jf. EN 62841.	
Svingningsemisjonsverdi $a_{hv}$ / Usikkerhet K	4,3 m/s <sup>2</sup> / 1,5 m/s <sup>2</sup>

**ADVARSEL!**

De angitte vibrasjonseksposering- og støynivåverdiene har blitt målt i samsvar med standardiserte målemetoder jmfør EN 62841 og kan brukes til å sammenligne et verkøy med et annet. De kan brukes til en foreløpig eksponeringsvurdering.

De angitte vibrasjonseksposering- og støyemisjonsverdiene gjelder for vanlig bruk av verktøyet. Dersom verktøyet blir brukt til noe annet, sammen med annet utstyr eller er dårlig vedlikeholdt kan de angitte vibrasjonseksposering- og støyeverdiene variere. Dette kan øke eksponerings- og emisjonsverdiene betraktelig for hele perioden du bruker verktøyet.

Når en vurderer vibrasjonseksposeringsnivået og støyeverdi må en inkludere den perioden som verktøyet er slått av eller når verktøyet går, men ikke direkte brukes til noe. Dette kan redusere eksponeringsnivået betraktelig over hele perioden som verktøyet er i bruk.

IDet er viktig å etablere ytterligere sikkerhetstiltak for å beskytte brukeren mot påvirkning av vibrasjon og/eller støy, slik som: vedlikehold av verktøyet og tilleggsutstyr, hold hendene varme, organiserte arbeidsrutiner.

**ADVARSEL!** Les alle sikkerhetsanvisninger, instruksjer, bildeforklaringer og data som fulgte med maskinen. Hvis du ikke følger følgende anvisninger, kan det oppstå elektriske støt, ild og/eller store skader.

**Ta godt vare på alle advarselene og informasjonene.**

**YTTERLIGE SIKKERHETS- OG ARBEIDSINSTRUKSJONER**

Ikke grip inn i fareområdet mens maskinen er i gang. Spon eller fliser må ikke fjernes mens maskinen er i gang. Bruk vernebekledning. Ta alltid på vernebrille ved bruk av maskinen. Støv som oppstår under arbeidet er ofte helsefarlig og bør ikke komme inn i kroppen. Bruk støvavsug og i tillegg egnede støvbeskyttelsesmaske. Fjern oppsamlet støv grundig, f.eks. oppsuging.

Slå straks av apparat når det oppstår store svingninger eller du fastslår andre mangler. Kontroller maskinen for å fastslå årsaken.

Det emnet som skal bearbeides må være fastspent, hvis det ikke blir holdt av sin egen vekt. På grunn av kortslutningsfare må metalldeler ikke komme inn i luftenåpningene.

**ADVARSEL!** For å unngå fare for en brann forårsaket av en kortslutning, av personskader eller skader av produktet, må det forhindres at batteripakken eller laderen dyppes i væsker og også sørges for at ingen væsker kan komme inn i apparatene eller batteriene. Korroderende og ledende væsker som saltvann, visse kjemikalier og blekemidler eller produkt som inneholder blekemidler kan forårsake en kortslutning.

Bruk bare originale Milwaukee slipe- og poleringsverktøy med selvklebende borrelås.

Ikke åpne vekselbatterier og ladere, de skal oppbevares i tørre rom. Beskyttes mot fuktighet.

Vekselbatterier av systemet M12 skal kun lades med lader av systemet M12. Ikke lad opp batterier fra andre systemer.

**FORMÅLSMESSIG BRUK**

Båndsliperen kan brukes til å slippe treverk, plastikk, metall, fugemasser og malte overflater.

Ikke bruk produktet på annen måte enn det som er angitt for beregnet bruk.

**RESTFARER**

Også ved sakyndig bruk kan ikke alle restrisikoer utelukkes. Ved bruk kan følgende farer oppstå og som bruker spesielt skulle ta hensyn til:

- Skader forårsaket av vibrasjon. Hold alltid apparatet i håndtakene som er konstruert for dette og begrenns arbeids- og eksponeringstiden.
- Støy kan føre til hørselsskader. Bruk hørselsvern og begrenns eksponeringens varighet.
- Øyeskader forårsaket av smusspartikler. Bruk alltid vernebriller, solide langbukser, hansker og stødige sko.
- Innånding av giftig støv

**INFORMASJON SOM GJELDER LI-ION BATTERIPAKKER**

**Bruk av Li-Ion batteripakker**

Vekselbatterier som ikke er brukt over lengre tid skal etterlades før bruk.

En temperatur over 50°C reduserer vekselbatteriets kapasitet. Unngå oppvarming i sol eller ved varmeovner (fyring) i lengre tid. Hold tilkoplingskontaktene på lader og vekselbatteri rene.

For optimal holdbarhet må batteriene lades opp helt etter bruk. For å sikre en lengst mulig brukstid av batteriene skal disse etter oppladning taes ut av laderen.

Ved lagring av batteriene lengre enn 30 dager:

- Lagre batteriet tørt ved ca. 27°C.
- Lagre batteriet ved en oppladningstilstand på ca. 30%-50%.
- Lade opp batteriet igjen etter 6 måneder.

**Overlastvern i Li-Ion batteripakker**

Ved overbelastning av det oppladbare batteriet p.g.a. svært høyt strømforbruk; f.eks. ekstrem høye dreiemoment, plutselig stopp

eller kortslutning, vibrert elektroverktøyet 5 sekunder, displayet for opplading blinker og elektroverktøyet utkobler seg automatisk.

For gjeninnkobling, slipp løs bryteren og slå så på igjen. Ved ekstreme belastninger opphører det oppladbare batteriet seg for sterkt. I slike tilfeller blinker alle lampene på displayet til batteriet er avkjølt. Når lampene har sluttet å blinke, kan man fortsette å arbeide.

#### Transport av Litium-Ion-Batteri

Litium-ion-batterier faller under de lovfestede forskriftene om transport av farlig gods.

Transporten av disse batteriene må rette seg etter lokale, nasjonale og internasjonale forskrifter og bestemmelser.

Forbruker har lov å transportere disse batteriene på gaten uten reglementering.

Den kommersielle transport av Litium-ion-batterier av spedisjonsfirma faller under bestemmelsene om transport av farlig gods. Forberedningene av forsendelsen og transport skal utelukkende gjennomføres av personer som har blitt skolert til dette. Hele prosessen skal følges opp av fagfolk.

Følgende punkter skal tas hensyn til ved transport:

Kontroller at kontaktene er beskyttet og isolert for å unngå kortslutninger.

Pass på at batteripakken i forpakningen ikke kan skli fram og tilbake. Skadede eller batterier som lekker er det ikke lov å transportere. Ta kontakt med spedisjonsfirma for ytterlige henvisninger.

#### ARBEIDSTRUKSJONER

##### Generell sliping med eksentersliper

Når du bruker eksentersliperen, er det et par ting du må huske på:

- I motsetning til andre slipemaskiner, skal eksentersliperen plasseres på slipeoverflaten FØR du starter den. Dersom du starter den før du setter den på overflaten, kan slipeplaten rotere i en hastighet som lager riper i overflaten og ødelegge emnet du arbeider på.
  - I motsetning til de fleste andre slipemaskiner, kan eksentersliperen beveges i alle retninger (dette gjelder spesielt treverk, uansett i hvilken retning årene går).
  - Dersom du bruker ulikt press på slipemaskinen vil dette påvirke rotasjonshastigheten. Det anbefales å bruke lett trykk for delikat slipearbeid, moderat trykk for grovt arbeid. For mye trykk vil forhindre at sliperondellen kan rotere nok.
  - Hold sliperondellen flatt på slipeemne. Dersom du holder slipemaskinen på skrå eller bruker kantene på sliperondellen, vil dette lage en ujevn overflate og redusere rondellens levetid.
  - Beveg slipemaskinen i brede, jevne strøk over hele slipeemnet. Dersom du holder slipemaskinen på et sted for lenge, kan dette lage furer og et ujevnt resultat.
  - Kontroller emnet regelmessig. Eksentersliperen arbeider mer aggressivt enn andre, enklere slipemaskiner.
- Sett slipemaskinen på slipeemnet og skru den på.
  - Hold sandpapiret flatt på emnet, beveg slipemaskinen over hele arbeidsemnet i lange, strykende bevegelser.
  - Begynn med et grovt sandpapir og bytt til et finere og finere papir helt til resultatet er slik du ønsker. Når du for eksempel bruker slipemaskinen på treverk, start med sandpapir type 80, bytt til type 120, deretter 180 og så videre.

#### Fjerne maling eller lakk

- Når du fjerner flere lag med maling eller lakk, fjern så mye maling som mulig først med malingsfjerner.
- Skrap av restene med en sparkel eller et annet verktøy. Vent til overflaten er avkjølt og tørr før du bruker slipemaskinen på emnet.
- Bruk et grovt sandpapir for å unngå at det tettes til.
- Beveg til nye flater for å unngå at gammel lakk eller maling smelter eller mykner opp.
- Brede overlappende strøk fører til et jevnt og homogent resultat.
- Så snart du ser hull i den gamle malingen, bytter du til et finere sandpapir for å unngå å lage striper i emnets overflate. Bytt til et finere sandpapir helt til du har nådd ønsket resultat.

#### RENGJØRING

Hold alltid lufteåpningene på maskinen rene.

#### VEDLIKEHOLD

Bruk kun Milwaukee tilbehør og Milwaukee reservedeler. Komponenter der utskiftning ikke er beskrevet skal skiftes ut hos Milwaukee kundeservice (se brosjyre garanti/kundeserviceadresser). Ved behov kan du be om en eksplosjonstegning av apparatet hos din kundeservice eller direkte hos Techtronic Industries GmbH, Max-Eyth-Straße 10, 71364 Winnenden, Germany. Oppgi maskintype og det nummeret på typeskiltet.

#### SYMBOLER

	Les nøye gjennom bruksanvisningen før maskinen tas i bruk.
	OBS! ADVARSEL! FARE!
	Ta ut vekselbatteriet før du arbeider på maskinen.
	Ikke bruk kraft.
	Bruk alltid vernebrille når du arbeider med maskinen.
	Bruk derfor verneemaske som er egnet for støv.
	Tilbehør - inngår ikke i leveransen, anbefalt komplette-ring fra tilbehørsprogrammet.
	Elektriske apparater, batterier/oppladbare batterier skal ikke kastes sammen med vanlig husholdningsavfall. Elektriske og elektroniske apparater og oppladbare batterier skal samles separat og leveres til miljøvennlig deponering hos en avfallsbedrift. Informer deg hos myndighetene på stedet eller hos din fagforhandler hvor det finnes recycling bedrifter og oppsamlingssteder.
$n_0$	Tomgangsturtall
V	Spenning
	Likestrøm

	Europeisk samsvarsmerke
	Britisk samsvarsmerke
	Ukrainsk samsvarsmerke
	Euroasiatisk samsvarsmerke

TEKNISKA DATA	M12 FDSS
Typ	Planslip
Produktionsnummer	4914 26 01 XXXXXX MJJJJ
Batterispänning	12 V =
Tomgångsvarvtal, obelastad 1/2/3/4	0-8000 / 0-10000 / 0-12000 / 0-14000 min <sup>-1</sup>
Svängningscirkel- $\emptyset$	1,5 mm
Slipplatta, storek	88,8 x 63,5 mm
Vikt enligt EPTA 01/2014 (Li-Ion 2,0 Ah ... 6,0 Ah)	0,76 ... 1,00 kg
Rekommenderad omgivningstemperatur för driften	-18 ... +50 °C
Rekommenderade batterier (Akkupacks)	M12B...
Rekommenderade laddare	C12C; M12C4; M12-18...
<b>Bullerinformation:</b> Mätvärdena har tagits fram baserade på EN 62841. A-värdet av maskinens ljudnivå utgår:	
Ljudtrycksnivå / Onoggrannhet K	64,69 dB (A) / 3 dB (A)
Ljudeffektsnivå / Onoggrannhet K	75,69 dB (A) / 3 dB (A)
<b>Använd hörselskydd!</b>	
<b>Vibrationsinformation:</b> Totala vibrationsvärden (vektorsumma ur tre riktningar) framtaget enligt EN 62841.	
Vibrationsemissionsvärde a <sub>v</sub> / Onoggrannhet K	4,3 m/s <sup>2</sup> / 1,5 m/s <sup>2</sup>

## ⚠ VARNING!

De deklarerade vibrations- och bullernivåerna på detta informationsblad har uppmätts i enlighet med en standardiserad testmetod enligt EN 62841 och kan användas för att jämföra ett verktyg med ett annat. Det kan användas för en preliminär bedömning av exponeringen.

Den angivna vibrations- och bullernivån representerar verktygets huvudsakliga tillämpningar. Om verktyget emellertid används för olika tillämpningar, med olika eller dåligt underhållna tillbehör, kan vibrations- och bullerutsläppet variera. Detta kan öka exponeringsnivån avsevärt över den totala arbetsperioden.

En uppskattning av exponeringsnivån för vibrationer och buller bör även ta hänsyn till de tider då verktyget är avstängt eller när det körs utan att faktiskt arbeta. Detta kan avsevärt minska exponeringsnivån över den totala arbetsperioden.

Identifiera ytterligare säkerhetsåtgärder för att skydda operatören mot effekterna av vibrationer och/eller buller såsom: underhåll av verktyget och tillbehören, hålla händerna varma, organisation av arbetsmönster.

**⚠ VARNING!** Läs alla säkerhetsanvisningar, instruktioner, beskrivningar och uppgifter som du får tillsammans med apparaten. Om nedanstående anvisningar ignoreras finns risk för att elstöt, brand och/eller allvarliga personskador uppstår.

**Förvara alla varningar och anvisningar för framtida bruk.**

## ÖVRIGA SÄKERHETS- OCH ANVÄNDNINGSPROCEDURER

Lakttag största försiktighet när maskinen är igång. Avlägsna aldrig spån eller flisor när maskinen är igång. Använd skyddsutrustning. Använd alltid skyddsglasögon när du använder maskinen. Dammet som uppkommer vid arbeten med denna maskin kan vara skadligt för hälsan om de når kroppen. Använd ett utsugningssystem och bär skyddsmask. Avlägsna kvarblivande damm med t.ex. en dammsugare.

Frånkoppla maskinen omedelbart om kraftiga vibrationer uppstår eller andra felkänningar registreras. Kontrollera maskinen för lokalisering av orsak.

Spänn fast arbetsstycket om det inte ligger stadigt till följd av egen vikt. OBS! Undvik att metalldelar hamnar i luftsitsarna - risk för kortslutning!

**VARNING!** För att undvika den fara för brand, personskador eller produktskador som orsakas av en kortslutning, doppa inte ner verktyget, utbytesbatteriet eller laddaren i vätskor och se till att ingen vätska kan tränga in i apparaterna eller batterierna. Korroderande eller ledande vätskor, som saltvatten, vissa kemikalier, blekningsmedel eller produkter som innehåller blekmedel, kan orsaka en kortslutning.

Använd endast Milwaukee Slip- och polerverktyg med självhäftande korbortstillslutning.

Batterier lagras torrt och skyddas för fukt.

System M12 batterier laddas endast i System M12 laddare. Ladda inte batterier från andra system.

## Batteri-överbelastningsskydd för litiumjonbatterier

Om det laddningsbara batteriet överbelastas genom en mycket hög strömförbrukning, t.ex. extremt höga vridmoment, ett plötsligt stopp eller en kortslutning, så vibrerar elverktyget i 5 sekunder, laddningsindikeringen blinkar och elverktyget fränkopplas automatiskt.

För att sedan sätta på elverktyget igen släpper du tryckbrytaren och tillkopplar sedan verktyget igen. Vid en extrem belastning blir det laddningsbara batteriet för varmt. I detta fall blinkar alla lampor på laddningsindikeringen så länge tills batteriet har svalnat. När laddningsindikeringen har slocknat kan du fortsätta med arbetet.

## Transportera litiumjon-batterier

För litiumjon-batterier gäller de lagliga föreskrifterna för transport av farligt gods på väg.

Därför får dessa batterier endast transporteras enligt gällande lokala, nationella och internationella föreskrifter och bestämmelser.

Konsumenter får transportera dessa batterier på allmän väg utan att behöva beakta särskilda föreskrifter.

För kommersiell transport av litiumjon-batterier genom en speditönsfirma gäller emellertid bestämmelserna för transport av farligt gods på väg. Endast personal som känner till alla tillämpliga föreskrifter och bestämmelser får förbereda och genomföra transporten. Hela processen ska följas upp på fackmässigt sätt.

Följande ska beaktas i samband med transporten av batterier:

Säkerställ att alla kontakter är skyddade och isolerade för att undvika kortslutning.

Se till att batteripacken inte kan glida fram och tillbaka i förpackningen. Transportera aldrig batterier som läcker, har runnit ut eller är skadade. För mer information vänligen kontakta din speditönsfirma.

## ARBETSANVISNINGAR

### Allmänt om slipning med excenterslipmaskiner

När man slipar med en excenterslipmaskin finns det ett par saker man bör tänka på:

- Till skillnad från de flesta andra slipmaskiner ska excenterslipmaskinen placeras på arbetsstycket INNAN verktyget startas. Om slipmaskinen startas innan den placeras på arbetsstycket, så kan den frilöpande slipplattan rotera med så hög hastighet att det blir repor när den sätts mot arbetsstycket.
- Till skillnad från de flesta andra slipmaskiner kan en excenterslipmaskin flyttas över arbetsstycket i vilken riktning som helst (fibreriktningen spelar t.ex. ingen roll när man slipar trä).
- När man trycker slipmaskinen olika hårt mot slipytan så påverkas rotationshastigheten. För finare arbeten rekommenderas ett lätt tryck och för grövre arbeten ett måttligt tryck. Om man trycker för hårt kan slipplattan inte rotera tillräckligt.
- Håll slipplattan plant mot arbetsstycket under slipningen. Om slipmaskinen lutas eller kanterna på slipplattan används kan ytan bli ojämn och slipplattans livslängd reduceras.
- Flytta hela tiden slipmaskinen med breda, jämna rörelser över arbetsstycket. Om man slipar för länge på samma ställe kan det leda till urgröningar och ojämma resultat.
- Kontrollera arbetsstycket ofta, eftersom excenterslipar arbetar mer aggressivt än vanliga roterande slipmaskiner.

- Placera slipmaskinen på arbetsstycket och starta slipmaskinen.
- Håll slippappret plant mot arbetsstycket, rör hela tiden slipmaskinen över arbetsstycket och arbeta med långa, svepande rörelser.
- Börja slipa med ett grovt sandpapper och byt sedan till finare och finare sandpapper tills önskad ytförhållning uppnås. Om du till exempel använder slipmaskinen på trä börjar du med kornstorlek 80 och byter sedan till 120, sedan till 180 och så vidare.

### Borttagning av målarfärg eller lack

- När flera lager målarfärg eller lack ska tas bort, ska man först ta bort så mycket som möjligt med färglösningsmedel eller lackborttagningsmedel.
- Skrapa bort resterna med en spackel eller någon annan skrapa

och låt ytan svalna och torka innan slipmaskinen används på arbetsstycket.

- Välj ett sandpapper med grov kornstorlek för att förhindra att sandpappret sätts igen.
- Flytta hela tiden slipmaskinen över nya områden så att den gamla ytbeläggningen (färgen eller lacken) inte hetas upp och mjuknar.
- Arbeta med breda och överlappande tag för att få en jämn yta.
- När arbetsstycket börjar synas igenom den gamla ytbeläggningen byter man till ett sandpapper med medelgrov kornstorlek, så att ytan på arbetsstycket inte repas. Sedan byter man efter hand till ett fint sandpapper för att få den önskade ytförhållningen.

## TVÅTRÅD

Se till att motorhöljets luftsitsar är rena.

## SKÖTSEL

Använd endast Milwaukee-tillbehör och Milwaukee-reservdelar. Komponenter, för vilka inget byte beskrivs, skall bytas ut hos Milwaukee-kundtjänst (se broschyren garanti-/kundtjänstadresser).

Vid behov av sprängskiss, kan en sådan, genom att uppge maskinens art. nr. (som finns på typskylten) erhållas från: Techtron Industries GmbH, Max-Eyth-Straße 10, 71364 Winnenden, Germany.

## SYMBOLER

	Läs instruktionen noga innan du startar maskinen.
	OBSERVERA! VARNING! FARA!
	Drag ur batteripaket innan arbete utföres på maskinen..
	Använd ingen kraft.
	Använd alltid skyddsglasögon.
	Bär därför lämplig skyddsmask.
	Tillbehör - Ingår ej i leveransomfånget, erhålles som tillbehör.
	Elektriska maskiner, batterier/uppladdningsbara batterier och får inte slängas tillsammans med de vanliga hushållssoporna. Elektriska maskiner och uppladdningsbara batterier ka samlas separat och lämnas till en avfallsstation för miljövänlig avfallshantering. Kontakta den lokala myndigheten respektive kommunen eller fråga återförsäljare var det finns speciella avfallsstationer för elskrot.
$n_0$	Tomgångsvarvtal, obelastad
$V$	Spänning
	Likström
	Europeiskt konformitetsmärke
	Britiskt konformitetsmärke
	Ukrainskt konformitetsmärke
	Euroasiatiskt konformitetsmärke

## TEKNISER ARVOT

	M12 FDSS
Tyyppi	Tasohiomakone
Tuotantonumero	4914 26 01 XXXXXX MJJJJ
Jännite vaihtoakku	12 V =
Kuormittamaton kierros-luku 1/2/3/4	0-8000 / 0-10000 / 0-12000 / 0-14000 min <sup>-1</sup>
Värähtelyliikkeen-ø	1,5 mm
Hiomapöydän mitat	88,8 x 63,5 mm
Paino EPTA-menettelyn 01/2014 mukaan (Li-Ion 2,0 Ah ... 6,0 Ah)	0,76 ... 1,00 kg
Suosittelun ympäristön lämpötila käytön aikana	-18 ... +50 °C
Suosittelut akkumarjat	M12B...
Suosittelut latauslaitteet	C12C; M12C4; M12-18...
<b>Melunpäästötiedot:</b> Mitta-arvot määritetty EN 62841 mukaan. Koneen tyypillinen A-luokitettu melutaso:	
Melutaso / Epävarmuus K	64,69 dB (A) / 3 dB (A)
Äänenvoimakkuus / Epävarmuus K	75,69 dB (A) / 3 dB (A)
<b>Käytä kuulosuojaimia!</b>	
<b>Tärinä-tiedot:</b> Värähtelyn yhteisarvot (kolmen suunnan vektorisummitattuna EN 62841 mukaan.	
Värähtelyemissioarvo $a_n$ / Epävarmuus K	4,3 m/s <sup>2</sup> / 1,5 m/s <sup>2</sup>

## VAROITUS!

Tässä tiedotteessa ilmoitettu (ilmoitetut) tärinä- ja melupäästöarvo(t) on mitattu standardisoidulla testimenetelmällä SFS-EN 62841 mukaisesti ja sitä voidaan käyttää työkalun vertailemiseen toisen työkalun kanssa. Sitä voidaan käyttää alustavaan altistuksen arviointiin. Ilmoitettu tärinä- ja melupäästöarvo koskee työkalun pääkäyttötarkoituksia. Jos kuitenkin työkalua käytetään eri käyttötarkoituksiin eri varusteiden kanssa tai huonosti huollettuna, voi tärinä- ja melupäästö erota ilmoitetusta. Tämä voi merkittävästi nostaa altistumistasoa koko työskentelyjakson ajaksi.

Arvioidussa tärinä- ja melu- ja altistustasossa tulisi ottaa huomioon myös työkalun sammutuskerrat tai sen tyhjäkäynti. Tämä voi merkittävästi laskea altistumistasoa koko työskentelyjakson ajaksi.

ITunnista esimerkiksi seuraavat lisävaroittoimet, joilla voidaan suojata käyttäjää tärinän ja/tai melun vaikutuksilta: työkalun ja varusteiden ylläpito, käsin lämpimänä pito, työnkulun organisointi.

**VAROITUS!** Lue kaikki varoittoimenpiteet, ohjeet, kuvalliset esitykset ja tiedot, jotka toimitetaan laitteen mukana. Ellet noudata seuraavia ohjeita, saattaa se johtaa sähköiskuun, tulipaloon ja/tai vaikeisiin loukkaantumisiin.

**Säilytä kaikki turvallisuus- ja muut ohjeet tulevaisuutta varten.**

## TÄYDENTÄVIÄ TURVALLISUUSMÄÄRÄYKSIÄ JA TYÖSKENTELYOHJEITA

Älä tartu käynnistetyn laitteen työskentelyalueelle. Lastuja tai puruja ei saa poistaa koneen käydessä. Käytä suojavarusteita. Käytä aina suojalaseja käyttäessäsi konetta. Työstössä syntyvä pöly saattaa olla terveydelle vahingollista, joten sen koskettaminen tai hengittäminen tulisi välttää. Liitä kone kohdeimujärjestelmään ja käytä sopivaa pölysuojaa kasvoilla. Poista laskeutunut pöly huolellisesti esimerkiksi pölynimurilla.

Pysäytä laite välittömästi jos siinä esiintyy huomattavaa värähtelyä tai huomaat muita puutteita. Tarkista kone vian aiheuttajan määrittelemiseksi.

Työstettävä kappale on kiinnitettävä, ellei se omapainonsa vuoksi pysy paikallaan. Älä päästä metalliesineitä tuuletusaukkoihin - oikosulkuvaara

**VAROITUS!** Jotta vältetään lyhytsulun aiheuttama tulipalon, loukkaantumisen tai tuotteen vahingoittumisen vaara, älä koskaan upota työkalua, vaihtoakkuja tai latauslaitetta nesteeseen ja huolehdi siitä, ettei mitään nesteitä pääse tunkeutumaan laitteiden tai akkujen sisään. Syövyttävät tai sähköä johtavat nesteet, kuten suolavesi, tietyt kemikaalit ja lalkaisuaineet tai valkaisuaineita sisältävät tuotteet voivat aiheuttaa lyhytsulun.

Käytä vain alkuperäisiä Milwaukee-hioma- ja kiillotuslaikkoja, joissa on itsekiinnittyvä takiaistarra.

Vaihtoakkuja ja latauslaitteita ei saa avata. Säilytys vain kuivissa tiloissa. Suojattava kosteudelta.

Käytä ainoastaan System M12 latauslaitetta System M12 akkujen lataukseen. Älä käytä muiden järjestelmien akkuja.

## TARKOITUKSEN MUKAINEN KÄYTTÖ

Hiomakonetta voidaan käyttää puun, muovin, metallin, täyteaineen ja maalattujen pintojen hiomiseen.

Älä käytä tuotetta muuhun kuin sille tarkoitettuun käyttöön.

## JÄÄMÄRISKIT

Kaikkia jäämäriskejä ei voida sulkea pois myöskään määräysten mukaisen käytön aikana. Käytössä saattaa syntyä seuraavia vaaroja, joita käyttäjän tulisi varoa erityisen huolella:

- Tärinän aiheuttamat vammat. Pitele laitetta tähän tarkoitettuista kahvoista ja rajoita työskentely- ja altistusaikaa.
- Melurasitus saattaa aiheuttaa kuulovaurioita. Käytä kuulosuojaimia ja rajoita altistumisen kesto.
- Likahiukkasten aiheuttamat silmävammat. Käytä aina suojalaseja, tukevia pitkälahkeisia housuja, käsiineitä ja tukevia jalkineita.
- Myrkyllisten pölyjen sisäänhengittäminen.

## LI-HIONI AKKUKUJEN OHJEITA

### Li-ioniakkujen käyttö

Pitkään käyttämättä olleet vaihtoakut on ladattava ennen käyttöä.

Yli 50°C lämpötilassa akun suorituskyky heikkenee. Vältäthän akkujen säilyttämistä auringossa tai kuumissa tiloissa. Pidä aina latauslaitteen ja akun kosketinpinnat puhtaina.

Optimaalisen käyttöiän saavuttamiseksi akut on ladattava täyteen käytön jälkeen.

Mahdollisimman pitkän elinajan takaamiseksi akut tulee poistaa laturista lataamisen jälkeen.

Akkua yli 30 päivää säilytettäessä:

Säilytä akku yli 27 °C:ssa ja kuivassa.

Säilytä akku sen latauksen ollessa 30 % - 50 %.

Lataa akku 6 kuukauden välein uudelleen.

## Li-ioniakkujen ylilataussuojaus

Jos akku ylikuormittuu erittäin suuren virrankulutuksen takia, esim. erittäin voimakkaiden vääntömomenttien, äkillisen pysähtymisen tai oikosulun vuoksi, niin sähkötyökalu tärisee 5 sekunnin ajan, latausnäyttö vilkkuu ja sähkötyökalu sammuu omatoimisesti.

Käynnistä laite uudelleen päästämällä katkaisinpainikkeen irti ja käynnistämällä laitteen sitten uudelleen. Erittäin suuressa kuormituksessa akku kuumenee liikaa. Tässä tapauksessa latausnäytön kaikki lamput vilkkuvat, kunnes akku on jäähtynyt. Kun latausnäyttö on sammunut, voi työtä jatkaa.

## Litiumi-ioniakkujen kuljettaminen

Litiumi-ioniakut kuuluvat vaarallisten aineiden kuljetuksesta annettujen lakien piiriin.

Näiden akkujen kuljettaminen täytyy suorittaa noudattaen paikallisia, kansallisia ja kansainvälisiä määräyksiä ja säädöksiä.

Kuluttajat saavat ilman muuta kuljettaa näitä akkuja teitä pitkin.

Kaupallisessa kuljetuksessa huolintaliikkeiden täytyy kuljettaa litiumi-ioniakkuja vaarallisten aineiden kuljetuksesta annettujen määräysten mukaisesti. Ainoastaan tähän vastaavasti koulutetut henkilöt saavat suorittaa kuljetuksen valmistelutoimet ja itse kuljetuksen. Koko prosessia tulee valvoa asiantuntevasti.

Seuraavat kohdat tulee huomioida akkuja kuljetettaessa:

Varmista, että akkujen kontaktit on suojattu ja eristetty, jotta vältetään lyhytsulut.

Huolehdi siitä, ettei akkusarja voi luiskahtaa paikaltaan pakkauksen sisällä. Vahingoittuneita tai vuotavia akkuja ei saa kuljettaa. Pyydä tarkemmat tiedot huolintaliikkeeltäsi.

## TYÖSKENTELYOHJEITA

### Yleinen hiominen epäkeskohiomakoneilla

Epäkeskohiomakoneita käytettäessä on huomioitava joitakin asioita:

- Toisin kuin useimmat hiomakoneet, epäkeskohiomakoneet on asetettava työkalun päälle ENNEN työkalun käynnistämistä. Jos hiomakone käynnistetään ennen työkalun päälle asettamista, ilmassa oleva hiomatyyny voi pyöriä nopeudella, joka voi aiheuttaa naarmuja, kun se asetetaan työkalun päälle.
- Toisin kuin useimmat hiomakoneet, epäkeskohiomakoneita voidaan liikuttaa työkalun päällä mihin tahansa suuntaan (jos kyseessä on puu, syiden suunnasta huolimatta).
- Hiomakoneeseen kohdistuvan paineen vaihtelu vaikuttaa sen pyörimisnopeuteen. Hienoon työhön suositellaan kevyttä painetta ja karkeaan työhön kohtuullista painetta. Liiallinen paine estää tyynyä pyörimästä riittävästi.
- Pidä hiomatyyny tasaisesti työkalua vasten. Hiomakoneen kallistaminen tai tyynyn reunojen käyttäminen voi tuottaa epätasaisen lopputuloksen ja lyhentää tyynyn käyttöikää.
- Liikuta hiomakonetta koko ajan laajoin ja tasaisin vedoin työkalun päällä. Yhden kohdan hiominen liian pitkään voi aiheuttaa uria ja epätasaisia tuloksia.
- Tarkista työkalun säännöllisesti, sillä epäkeskohiomakoneet toimivat tehokkaammin kuin tavalliset tasohiomakoneet.

1. Aseta hiomakone työkalun päälle ja kytke hiomakone päälle.

2. Pidä hioma-arkki tasaisesti työkalua vasten ja liikuta hiomakonetta koko ajan työkalun päällä pitkin ja pyyhkivän vedoin.

3. Aloita hiominen karkealla hiomapaperilla ja vaihda asteittain hienompaan hiomapaperiin, kunnes haluttu lopputulos on saavutettu. Kun hiomakoneella hiotaan esimerkiksi puuta, aloita karkeudella 80 ja siirry karkeuteen 120, sitten karkeuteen 180 ja niin edelleen.

## Maalin tai lakan poistaminen

- Kun poistat useaa maali- tai lakkakerrosta, poista mahdollisimman suuri osa liuotteella tai lakanpoistoaineella.
- Kaavi jäämät pois teräslastalla tai muulla kaavintyökalulla ja anna pinnan jäähtyä ja kuivua ennen kuin käytät hiomakonetta työkalupaleeseen.
- Valitse karkea hiomapaperiarikki, jotta hiomapaperi ei tukkeudu.
- Liikuta hiomakonetta koko ajan uusilla alueilla kuumentamisen ja vanhan pinnoitteen (maali tai lakka) pehmenemisen välttämiseksi.
- Työskentele laajoin ja limittäisin vedoin yhtenäisen lopputuloksen saavuttamiseksi.
- Kun työkalupaleen vanha pinnoite alkaa näkyä läpi, vaihda keskikarkeaan hiomapaperiin, jotta työkalupaleen pinta ei naarmuunnu. Vaihda asteittain hienompaan hiomapaperiin, kunnes haluttu lopputulos on saavutettu.

## PUHDISTUS

Pidä moottorin ilmanottoaukot puhtaina.





## HUOLTO

Käytä ainoastaan Milwaukee lisätarvikkeita ja Milwaukee varaosia. Mikäli jokin komponentti, jota ei ole kuvailtu, tarvitsee vaihtoa ota yhteys johonkin Milwaukee palvelupisteistä (kts. listamme takuuhuoltoilikkeiden/ palvelupisteiden osoitteista)

Tarpeen vaatiessa voit pyytää lähettämään laitteen kokoonpanopiirustuksen ilmoittamalla arvokilven numeron seuraavasta osoitteesta: Techtronic Industries GmbH, Max-Eyth-Straße 10, 71364 Winnenden, Germany.

## SYMBOLIT

	Lue käyttöohjeet huolellisesti, ennen koneen käynnistämistä.
	HUOMIO! VAROITUS! VAARA!
	Ota akku pois ennen kaikkia koneeseen tehtäviä toimenpiteitä..
	Älä käytä väkivoimaa.
	Käytä laitteella työskennellessäsi aina suojalaseja.
	Koneella työskennellessä on käytettävä sopivaa suojainta.
	Lisälaite - Ei sisälly vakiovarustukseen, saatavana lisätarvikkeena.
	Sähkölaitteita, paristoja/akkuja ei saa hävittää yhdessä kotitalousjätteiden kanssa. Sähkölaitteet ja akut tulee kerätä erikseen ja toimittaa kierrätysliik- keeseen ympäristöystävällistä hävittämistä varten. Pyydä paikallisilta viranomaisilta tai alan kauppiailta tarkemmat tiedot kierrätyspisteistä ja keräyspaikoista.
	Kuormittamaton kierrosluku
	Jännite
	Tasavirta

	Euroopan säännönmukaisuusmerkki
	Britannian säännönmukaisuusmerkki
	Ukrainan säännönmukaisuusmerkki
	Euraasian säännönmukaisuusmerkki



ΤΕΧΝΙΚΑ ΣΤΟΙΧΕΙΑ	M12 FDSS
Κατασκευαστικό είδος	Παλμικό τριβείο
Αριθμός παραγωγής	4914 26 01 XXXXXX MJJJJ
Τάση ανταλλακτικής μπαταρίας	12 V =
Αριθμός στροφών χωρίς φορτίο 1/2/3/4	0-8000 / 0-10000 / 0-12000 / 0-14000 min <sup>-1</sup>
Διάμετρος κύκλου δόνησης	1,5 mm
Διάσταση πλάκας λείανσης	88,8 x 63,5 mm
Βάρος σύμφωνα με τη διαδικασία ΕΡΤΑ 01/2014 (Li-Ion 2,0 Ah ... 6,0 Ah)	0,76 ... 1,00 kg
Συνιστώμενη θερμοκρασία περιβάλλοντος για τη λειτουργία	-18 ... +50 °C
Συνιστώμενη δέσμη συσσωρευτών	M12B...
Συνιστώμενη συσκευή φόρτισης	C12C; M12C4; M12-18...
<b>Πληροφορίες θορύβου:</b> Τιμές μέτρησης εξακριβωμένες κατά EN 62841. Η σύμφωνη με την καμπύλη Α εκτιμηθείσα στάθμη θορύβου του μηχανήματος αναφέρεται σε:	
Στάθμη ηχητικής πίεσης / Ανασφάλεια K	64,69 dB (A) / 3 dB (A)
Στάθμη ηχητικής ισχύος / Ανασφάλεια K	75,69 dB (A) / 3 dB (A)
<b>Φοράτε προστασία ακοής (ωασιπίδες)!</b>	
<b>Πληροφορίες δόνησεων:</b> Υλικές τιμές κραδασμών (άθροισμα διανυσμάτων τριών διευθύνσεων) εξακριβώθηκαν σύμφωνα με τα πρότυπα EN 62841.	
Τιμή εκπομπής δονήσεων a <sub>h</sub> / Ανασφάλεια K	4,3 m/s <sup>2</sup> / 1,5 m/s <sup>2</sup>

## ΠΡΟΕΙΔΟΠΟΙΗΣΗ!

Το αναφερόμενο στο παρόν φυλλάδιο επίπεδο τιμών δόνησης και εκπομπής θορύβου έχει μετρηθεί σύμφωνα με μια τυπική μέθοδο δοκιμών κατά το πρότυπο EN 62841 και μπορεί να χρησιμοποιηθεί για τη σύγκριση εργαλείων μεταξύ τους. Μπορεί να χρησιμοποιηθεί για μια προκαταρκτική αξιολόγηση της έκθεσης.

Οι αναφερόμενες τιμές επιπέδων δόνησης και εκπομπής θορύβου αντιστοιχούν στις βασικές εφαρμογές του εργαλείου. Στην περίπτωση χρήσης του εργαλείου σε διαφορετικές εφαρμογές, με διαφορετικά εξαρτήματα ή ανεπαρκή συντήρηση, τα επίπεδα δόνησης και εκπομπών θορύβου ενδέχεται να διαφέρουν. Αυτό μπορεί να έχει ως συνέπεια μια σημαντική αύξηση των επιπέδων έκθεσης καθόλη τη διάρκεια εκτέλεσης των εργασιών.

Για μία εκτίμηση των επιπέδων έκθεσης σε δόνηση και θόρυβο πρέπει να συνυπολογίζονται οι χρόνοι απενεργοποίησης του εργαλείου ή αυτοί κατά τους οποίους παραμένει ενεργό χωρίς να εκτελείται κάποια εργασία. Αυτό μπορεί να μειώσει σημαντικά τα επίπεδα έκθεσης καθόλη τη διάρκεια εκτέλεσης των εργασιών.

Ιορίστε πρόσθετα μέτρα προστασίας του χειριστή από την έκθεση στη δόνηση ή/και στον θόρυβο όπως: συντήρηση του εργαλείου και των παρελκόμενων εξαρτημάτων, διατήρηση θερμότητας των χεριών, οργάνωση μοτίβων εργασίας.

## ΠΡΟΕΙΔΟΠΟΙΗΣΗ! Διαβάστε όλες τις υποδείξεις ασφαλείας, τις οδηγίες, τις εικόνες και τα δεδομένα, τα οποία θα λάβετε μαζί με το μηχανήμα. Η μη τήρηση των οδηγιών που ακολουθούν, μπορεί να οδηγήσει σε ηλεκτροπληξία, φωτιά και/ή σε σοβαρούς τραυματισμούς.

**Φυλάξτε όλες τις προειδοποιητικές υποδείξεις και οδηγίες για κάθε μεμονωτική χρήση.**

## ΠΕΡΑΙΤΕΡΩ ΟΔΗΓΙΕΣ ΑΣΦΑΛΕΙΑΣ ΚΑΙ ΧΡΗΣΕΩΣ

Μην απλώνετε τα χέρια σας στην επικίνδυνη περιοχή της μηχανής όταν είναι σε λειτουργία. Τα γρέζια ή οι σκληρές δεν επιτρέπεται να απομακρύνονται όσο η μηχανή βρίσκεται σε λειτουργία. Χρησιμοποιείτε προστατευτικό εξοπλισμό. Κατά την εργασία με τη μηχανή φοράτε πάντα προστατευτικά γυαλιά. Η δημιουργούμενη κατά την εργασία σκόνη είναι συχνά επιβλαβής για την υγεία και δεν πρέπει να έρχεται σε επαφή με το σώμα. Χρησιμοποιείτε μια διάταξη αναρρόφησης της σκόνης και φοράτε επιπλέον μια κατάλληλη προσωπικά προστασίας από τη σκόνη. Απομακρύνετε επιμελώς τη μαζεμένη σκόνη, π.χ. με αναρρόφηση.

Θέστε τη συσκευή αμέσως εκτός λειτουργίας όταν παρουσιαστούν σημαντικοί κραδασμοί ή διαπιστωθούν άλλα ελαττώματα. Ελέγξτε τη μηχανή, για να διαπιστώσετε την αιτία.

Το προς επεξεργασία κομμάτι πρέπει να σφικτεί καλά, όταν δεν μπορεί να κρατηθεί με το ίδιο του το βάρος. Λόγω του κινδύνου βραχυκυκλώματος δεν επιτρέπεται να μπίνουν μεταλλικά αντικείμενα στις σχισμές εξερισμού.

**ΠΡΟΕΙΔΟΠΟΙΗΣΗ!** Για να αποτρέπεται τον κίνδυνο πυρκαγιάς λόγω βραχυκυκλώματος, τραυματισμούς ή ζημιές του προϊόντος, να μη βυθίζετε το εργαλείο, τον ανταλλακτικό συσσωρευτή ή τη συσκευή φόρτισης σε υγρά και να φροντίζετε, ώστε να μη διεσθύνουν υγρά στις συσκευές και τους συσσωρευτές. Διαβρωτικές ή αγώγιμες υγρές ουσίες, όπως αλατόνερο, ορισμένες χημικές ουσίες και λευκαντικά

ή προϊόντα που περιέχουν λευκαντικά, μπορεί να προκαλέσουν βραχυκύκλωμα.

Χρησιμοποιείτε μόνο τα αυθεντικά εργαλεία λείανσης και στίλβωσης της Milwaukee με αυτοκόλλητη ζώνη.

Μην ανοίγετε τις ανταλλακτικές μπαταρίες και τους φορτιστές και χρησιμοποιείτε για αποθήκευση μόνο στεγνού χώρους. Προστατεύετε τις ανταλλακτικές μπαταρίες και τους φορτιστές από την υγρασία.

Φορτίζετε τις ανταλλακτικές μπαταρίες του συστήματος M12 μόνο με φορτιστές του συστήματος M12. Μη φορτίζετε μπαταρίες από άλλα συστήματα.

## ΧΡΗΣΗ ΣΥΜΦΩΝΑ ΜΕ ΤΟ ΣΚΟΠΟ ΠΡΟΟΡΙΣΜΟΥ

Το τριβείο μπορεί να χρησιμοποιηθεί για τη λείανση ξύλου, πλαστικού, μετάλλων, στόκου και βαμμένων επιφανειών.

Μη χρησιμοποιείτε το προϊόν με οποιονδήποτε άλλο τρόπο από αυτούς που δηλώνονται για την προβλεπόμενη χρήση.

## ΛΟΙΠΟΙ ΚΙΝΔΥΝΟΙ

Ακόμη και σε κανονική χρήση δεν μπορούν να αποκλείονται όλοι οι υπολειπόμενοι κίνδυνοι. Κατά τη χρήση θα μπορούσαν να προκύψουν οι ακόλουθοι κίνδυνοι, στους οποίους θα έπρεπε να δίνει ο χειριστής ιδιαίτερη προσοχή:

- Τραυματισμοί που προκύπτουν από δονήσεις. Να κρατάτε το μηχανήμα από τις προβλεπόμενες για το σκοπό αυτό χειρολαβές και να περιορίζετε το χρόνο εργασίας και έκθεσης.
- Η ηχορρόπηση μπορεί να οδηγήσει σε ακουστικά τραύματα. Να φοράτε προστατευτικά ακοής και να περιορίζετε τη διάρκεια έκθεσης.
- Τραυματισμοί των οφθαλμών που προκύπτουν από ρυπογόνα σωματίδια. Να φοράτε πάντα προστατευτικά γυαλιά, ανθεκτικά,

μακριά παντελόνια, γάντια και ανθεκτικά υποδήματα.

- Εισπνοή δηλητηριώδους σκόνης.

## ΥΠΟΔΕΙΞΕΙΣ ΓΙΑ ΕΠΑΝΑΦΟΡΤΙΖΟΜΕΝΕΣ ΜΠΑΤΑΡΙΕΣ ΙΟΝΤΩΝ ΛΙΘΙΟΥ

### Χρήση επαναφορτιζόμενων μπαταριών ιόντων λιθίου

Επαναφορτίζετε τις ανταλλακτικές μπαταρίες που δεν έχουν χρησιμοποιηθεί για μεγαλύτερο χρονικό διάστημα πριν τη χρήση.

Μια θερμοκρασία πάνω από 50°C μειώνει την ισχύ της ανταλλακτικής μπαταρίας. Αποφεύγετε τη θέρμανση για μεγαλύτερο χρονικό διάστημα από τον ήλιο ή τις συσκευές θέρμανσης. Διατηρείτε τις επαφές σύνδεσης στο φορτιστή και στην ανταλλακτική μπαταρία καθαρές.

Για μια άριστη διάρκεια ζωής πρέπει μετά τη χρήση οι μπαταρίες να φορτιστούν πλήρως. Για μια κατά το δυνατόν μεγάλη διάρκεια ζωής οι μπαταρίες μετά τη φόρτιση οφείλουν να αφαιρεθούν από το φορτιστή.

Για την αποθήκευση της μπαταρίας για διάστημα μεγαλύτερο των 30 ημερών:

Αποθηκεύετε τη μπαταρία περ. στους 27°C σε στεγνό χώρο.

Αποθηκεύετε τη μπαταρία περ. στο 30%-50% της κατάστασης φόρτισης.

Κάθε 6 μήνες φορτίζετε εκ νέου τη μπαταρία.

### Προστασία υπερφόρτισης επαναφορτιζόμενων μπαταριών ιόντων λιθίου

Σε υπερφόρτωση της μπαταρίας από πολύ υψηλή κατανάλωση ρεύματος, π. χ. από ακραίες υψηλές ροπές περιστροφής, μπλοκάρισμα του τρυπανιού, δονείται το ηλεκτρικό εργαλείο για 5 δευτερόλεπτα, αναβοβοήνει η ένδειξη φόρτισης και το ηλεκτρικό εργαλείο απενεργοποιείται αυτόματα.

Για μια νέα ενεργοποίηση, αφήνετε ελεύθερο το διακόπτη και στη συνέχεια ενεργοποιείτε εκ νέου. Κάτω από ακραίες καταπονήσεις θερμαίνεται πάρα πολύ η μπαταρία. Στην περίπτωση αυτή αναβοβοήνουν όλες οι λάμπες της ένδειξης φόρτισης μέχρι να έχει κρυώσει η μπαταρία. Μετά το σβήσιμο της ένδειξης φόρτισης μπορεί να συνεχιστεί η συνεργασία.

### Μεταφορά των μπαταριών ιόντων λιθίου

Οι μπαταρίες ιόντων λιθίου υπόκεινται στις απαιτήσεις των νομικών διατάξεων για την μεταφορά επικινδύνων εμπορευμάτων.

Η μεταφορά τέτοιων μπαταριών πρέπει να πραγματοποιείται τηρώντας τους τοπικούς, εθνικούς και διεθνείς κανονισμούς και τις αντίστοιχες διατάξεις.

Επιτρέπεται η μεταφορά τέτοιων μπαταριών στο δρόμο χωρίς περαιτέρω απαιτήσεις.

Η εμπορική μεταφορά μπαταριών ιόντων λιθίου από εταιρείες μεταφορών υπόκειται στις απαιτήσεις των νομικών διατάξεων για την μεταφορά επικινδύνων εμπορευμάτων. Οι προετοιμασίες αποστολής και η μεταφορά πραγματοποιούνται αποκλειστικά από ειδικά εκπαιδευμένα πρόσωπα. Η συνολική διαδικασία συνοδεύεται από εξειδικευμένο προσωπικό.

Κατά τη μεταφορά μπαταριών ιόντων λιθίου πρέπει να προσέχετε τα εξής:

Φροντίστε τα σημεία επαφών να είναι προστατευμένα και μονωμένα ώστε να αποφευχθούν βραχυκυκλώματα.

Προσέξτε το πακέτο μπαταριών να είναι σταθερό μέσα στη συσκευασία και να μη γλιστρά. Η μεταφορά μπαταριών που παρουσιάζουν φθορές ή διαρροές δεν επιτρέπεται. Για περισσότερες πληροφορίες απευθυνθείτε στην εταιρεία μετάφορων.

## ΥΠΟΔΕΙΞΕΙΣ ΕΡΓΑΣΙΑΣ

### Γενική λείανση με έκκεντρα τριβεία

Όταν χρησιμοποιείτε έκκεντρα τριβεία, πρέπει να έχετε υπόψη μερικά σημεία:

- Σε αντίθεση με τα περιστρεφόμενα τριβεία, τα έκκεντρα τριβεία θα πρέπει να τοποθετούνται επάνω στο τεμάχιο προς επεξεργασία PIN ΑΠΟ την ενεργοποίηση του εργαλείου. Εάν το τριβείο ενεργοποιηθεί πριν από την τοποθέτησή του επάνω στο τεμάχιο προς επεξεργασία, η ελεύθερα περιστρεφόμενη βάση μπορεί να

περιστρέφεται με τέτοια ταχύτητα που να γδάρει το τεμάχιο προς επεξεργασία μόλις έρθει σε επαφή μαζί του.

- Αντίθετα με τα περισσότερα τριβεία, τα έκκεντρα τριβεία μπορούν να κινούνται επάνω στο τεμάχιο προς επεξεργασία ακολουθώντας οποιαδήποτε κατεύθυνση (στην περίπτωση του ξύλου, αγνοώντας τη φορά των ντών).

- Η μεταβαλλόμενη πίεση στο τριβείο θα επηρεάσει την ταχύτητα περιστροφής του. Για λεπτιές εργασίες συνιστάται μια μικρή πίεση, ενώ για τη λείανση άγριων επιφανειών συνιστάται μια μέτρια πίεση. Η υπερβολική πίεση δεν επιτρέπει την περιστροφή της βάσης.

- Κρατάτε τη βάση του τριβείου επίπεδα επάνω στο τεμάχιο προς επεξεργασία. Η θέση του τριβείου υπό κλίση ή η λείανση με την ακμή της βάσης μπορεί να προκαλέσει ανομοιόμορφο αποτέλεσμα και να μειώσει τη διάρκεια ζωής της βάσης.

- Διατηρείτε το τριβείο σε κίνηση, διαγράφοντας πλατιές ομοιόμορφες κινήσεις κατά μήκος του τεμαχίου προς επεξεργασία. Η επίμονη λείανση ενός σημείου για παρατεταμένο διάστημα μπορεί να προκαλέσει γούβα στην επιφάνεια και ανομοιόμορφα αποτελέσματα.

- Ελέγχετε το τεμάχιο προς επεξεργασία τακτικά, γιατί τα έκκεντρα τριβεία λειάνουν περισσότερο επιθετικά από τα περιστροφικά τριβεία.

1. Τοποθετήστε το τριβείο επάνω στο τεμάχιο προς επεξεργασία και ενεργοποιήστε το τριβείο.

2. Κρατήστε το γυαλόχαρτο επίπεδα επάνω στο τεμάχιο προς επεξεργασία, διατηρήστε το τριβείο σε κίνηση σε όλο το τεμάχιο προς επεξεργασία διαγράφοντας μακριές, σαρωτικές κινήσεις.

3. Ξεκινήστε τη λείανση με ένα γυαλόχαρτο άγριας κόκκωσης και βαθμιαία χρησιμοποιήστε γυαλόχαρτα με όλο και λεπτότερη κόκκωση, μέχρι να επιτευχθεί το επιθυμητό αποτέλεσμα. Για παράδειγμα, όταν χρησιμοποιείτε το τριβείο σε ξύλο, ξεκινάτε με κόκκωση αρ. 80, συνεχίζετε με κόκκωση αρ. 120, μετά με κόκκωση αρ. 180 κ.λπ.

### Αφαίρεση βαφής ή βερνικίου

1. Όταν αφαιρέτε πολλά στρώματα βαφής ή βερνικιού, αφαιρέστε όσο το δυνατόν περισσότερη βαφή ή βερνίκι με ένα διαλυτικό χρωμάτων ή ένα υλικό αποβερνικίωσης.

2. Ύστε τα υπολείμματα με μια σπάτουλα ή ένα άλλο εργαλείο απόξεσης και αφήστε την επιφάνεια να κρυώσει και να στεγνώσει, προτού επεξεργαστείτε το τεμάχιο προς επεξεργασία με το τριβείο.

3. Επιλέξτε ένα γυαλόχαρτο με άγρια κόκκωση για να αποτρέψετε τη στόμωση του γυαλόχαρτου.

4. Διατηρήστε το τριβείο σε κίνηση μετακινώντας το σε νέες περιοχές για να αποφύγετε τη θέρμανση και το λιώσιμο της παλιάς επικάλυψης (βαφής ή βερνικιού).

5. Εργαστείτε διαγράφοντας πλατιές, αλληλεπικαλυπτόμενες κινήσεις για να παράγετε ένα ομοιόμορφο αποτέλεσμα.

6. Καθώς αρχίζει να εμφανίζεται η επιφάνεια του τεμαχίου επεξεργασίας κάτω από την παλιά επικάλυψη, χρησιμοποιήστε ένα φύλλο μεσαίας κόκκωσης για να αποφύγετε το γδάρσιμο της επιφάνειας του τεμαχίου προς επεξεργασία. Βαθμιαία χρησιμοποιήστε γυαλόχαρτα με λεπτότερη κόκκωση μέχρι να επιτύχετε το επιθυμητό αποτέλεσμα.

## ΣΥΝΤΗΡΗΣΗ ΚΑΙ ΚΑΘΑΡΙΣΜΟΣ

Διατηρείτε πάντοτε τις σχισμές εξερισμού της μηχανής καθαρές.

## ΣΥΝΤΗΡΗΣΗ

Χρησιμοποιείτε μόνο αξεσουάρ Milwaukee και ανταλλακτικά Milwaukee. Εξαρτήματα, που η αλλαγή τους δεν περιγράφεται, αντικαθίστανται σε μια τεχνική υποστήριξη της Milwaukee (βλέπε φυλλάδιο εγγύηση/ διευθύνσεις τεχνικής υποστήριξης).

Όταν χρειάζεται, μπορείτε να ζητήσετε ένα σχέδιο συναρμολόγησης της συσκευής, δίνοντας τον τύπο της μηχανής και αριθμό στην πινακίδα ισχύος, από το κέντρο σέρβις ή απευθείας από τη φίρμα Techtronic Industries GmbH, Max-Eyth-Straße 10, 71364 Winnenden, Germany.

**ΣΥΜΒΟΛΑ**

	Παρακαλώ διαβάστε σχολαστικά τις οδηγίες χρήσης πριν από την έναρξη λειτουργίας.
	<b>ΠΡΟΣΟΧΗ! ΠΡΟΕΙΔΟΠΟΙΗΣΗ! ΚΙΝΔΥΝΟΣ!</b>
	Πριν από κάθε εργασία στη μηχανή αφαιρείτε την ανταλλακτική μπαταρία..
	Μην βάζετε δύναμη.
	Στις εργασίες με τη μηχανή φοράτε πάντοτε προστατευτικά γυαλιά.
	Να φοράτε κατάλληλη μάσκα προστασίας από σκόνη.
	Εξαρτήματα - Δεν περιλαμβάνονται στα υλικά παράδοσης, συνιστούμενη προσθήκη από το πρόγραμμα εξαρτημάτων.
	Ηλεκτρικά μηχανήματα, μπαταρίες/αυτοαποφορτιστές δεν επιτρέπεται να απορρίπτονται μαζί με τα οικιακά απορρίμματα. Ηλεκτρικά μηχανήματα και αυτοαποφορτιστές συλλέγονται ξεχωριστά και παραδίδονται προς ανακύκλωση με τρόπο φιλικό προς το περιβάλλον σε επιχείρηση επεξεργασίας απορριμμάτων. Ενημερωθείτε από τις τοπικές υπηρεσίες ή από ειδικευμένους εμπόρους σχετικά με κέντρα ανακύκλωσης και συλλογής απορριμμάτων.
$n_0$	Αριθμός στροφών χωρίς φορτίο
$V$	Τάση
	Συνεχές ρεύμα
	Ευρωπαϊκό σήμα πιστότητας
	Βρετανικό σήμα πιστότητας
	Ουκρανικό σήμα πιστότητας
	Ευρασιατικό σήμα πιστότητας

ΤΕΧΝΙΚ VERILER	M12 FDSS
Modeli	Salınlımlı zımpara makinesi
Üretim numarası	4914 26 01 XXXXXX MJJJJ
Kartuş akü gerilimi	12 V =
Boştaki devir sayısı 1/2/3/4	0-8000 / 0-10000 / 0-12000 / 0-14000 min <sup>-1</sup>
Titreşim çapı-ı	1,5 mm
Zımpara levhası ölçüleri	88,8 x 63,5 mm
Ağırlığı ise EPTA-üretici 01/2014'e göre (Li-Ion 2,0 Ah ... 6,0 Ah)	0,76 ... 1,00 kg
Çalıştırılması için tavsiye edilen ortam sıcaklığı	-18 ... +50 °C
Tavsiye edilen güç paketleri	M12B...
Tavsiye edilen şarj aletleri	C12C; M12C4; M12-18...
<b>Gürültü bilgileri:</b> Ölçüm değerleri EN 62841 e göre belirlenmektedir. Aletin, frekansa bağımlı uluslararası ses basıncı seviyesi değerlendirme eğrisi A'ya göre tipik gürültü seviyesi:	
Ses basıncı seviyesi / Tolerans K	64,69 dB (A) / 3 dB (A)
Akustik kapasite seviyesi / Tolerans K	75,69 dB (A) / 3 dB (A)
<b>Koruyucu kulaklık kullanın!</b>	
<b>Vibrasyon bilgileri:</b> Toplam titreşim değeri (üç yönün vektör toplamı) EN 62841'e göre belirlenmektedir:	
titreşim emisyon değeri $a_{hv}$ / Tolerans K	4,3 m/s <sup>2</sup> / 1,5 m/s <sup>2</sup>

**⚠ UYARI!**

Bu bilgi formunda belirtilen titreşim ve gürültü düzeyi EN 62841 uyarınca standart bir test yöntemine göre ölçülmüş olup, bir aleti diğeriyle karşılaştırmak için kullanılabilir. Bir maruz kalma ön değerlendirmesi için de kullanılabilir.

Beyan edilmiş titreşim ve gürültü emisyon değeri aletin ana uygulamalarını temsil eder. Ancak, alet farklı uygulamalar için veya farklı aksesuarlarla kullanılır ya da aletin bakımı yetersiz yapılırsa, titreşim ve gürültü emisyonu farklılık gösterebilir. Bu, toplam çalışma süresi boyunca maruz kalma seviyesini önemli ölçüde artırabilir.

Titreşim ve gürültüye maruz kalma seviyesi tahmininde, aletin kapalı olduğu veya çalıştığı, ancak aslında işini yapmadığı süreler de göz önünde bulundurulmalıdır. Bu, toplam çalışma süresi boyunca maruz kalma seviyesini önemli ölçüde azaltabilir.

İOperatörü titreşim ve/veya gürültünün etkilerinden korumak için, aletin ve aksesuarlarının bakımını yapmak, elleri sıcak tutmak ve çalışma biçimlerini düzenlemek gibi ilave güvenlik önlemleri belirleyin.

**⚠ UYARI!** Cihazla birlikte gelen tüm güvenlik uyarılarını, talimatları, çizimleri ve bilgileri okuyun. Aşağıdaki talimat hükümlerine uymadığınız takdirde elektrik çarpması, yangın veya ağır yaralanma tehlikesi ile karşılaşabilirsiniz.

**Bütün uyarıları ve talimat hükümlerini ileride kullanmak üzere saklayın.**

**EK GÜVENLİK VE ÇALIŞMA TALİMATLARI**

Aletin tehlikeli olabilecek bölümlerini tutmayın. Alet çalışır durumda iken talaş ve kırpıntıları temizlemeye çalışmayın. Koruma teçhizatı kullanın. Makinada çalışırken devamlı surette koruyucu gözlük takın. Tahtalar uzun süre işlenirken veya sağlığa zararlı toz çıkaran malzemeler profesyonel olarak işlenirken alet uygun bir toz emme donanımına bağlanmalıdır. Profesyonel kullanıcılar diğer malzemelere ilişkin hükümleri yetkili meslek kuruluşu ile açıklığa kavuşturmak zorundadır.

Hissedilir ölçüde titreşim oluşmaya başlarsa veya normal olmayan başka aksaklıklar ortaya çıkarsa aleti hemen kapatın. Bu aksaklıkların nedenini belirlemek için aleti kontrol edin.

Kendi ağırlığı ile güvenli biçimde durmuyorsa iş parçasının uygun bir tertibatla sıkıca tespit edilmesi gerekir. Kısa devre tehlikesi ortaya çıkacağından metal parçaların havalandırma aralıklarına girmemesi gerekir.

UYARI! Bir kısa devreden kaynaklanan yangın, yaralanma veya ürün hasarları tehlikesini önlemek için aleti, güç paketini veya şarj cihazını asla sıvıların içine daldırmayınız ve cihazların ve pillerin içine sıvı girmesini önleyiniz. Tuzlu su, belirli kimyasallar, ağartıcı madde veya ağartıcı madde içeren ürünler gibi korozif veya iletken sıvılar kısa devreye neden olabilir.

Sadece, pıtrak tutturmalı orijinal Milwaukee zımpara ve polisaj uçlarını kullanın.

Kartuş aküleri ve şarj cihazını açmayın ve sadece kuru yerlerde saklayın. Neme ve ıslanmaya karşı koruyun.

M12 sistemli kartuş aküleri sadece M12 sistemli şarj cihazları ile şarj edin. Başka sistemli aküleri şarj etmeyin.

**KULLANIM**

Zımpara; ahşap, plastik, metal, astar boyalı ve boyanmış yüzeyleri zımparalamak için kullanılabilir.

Aleti belirtilen kullanım amaçları dışında herhangi bir başka amaç için kullanmayın.

**KALAN TEHLİKELER**

Usulüne uygun kullanım durumunda da bütün kalan riskler ortadan kaldırılamaz. Kullanım sırasında, kullanıcının özellikle dikkat etmesi gerektiği aşağıdaki tehlikeler oluşabilir:

- Titreşimden dolayı oluşan yaralanmalar. Cihazı bunun için öngörülen kulplardan tutun ve çalışma ve maruz kalam sürelerini sınırlandırın.
- Gürültü yükü işitme zararlarına neden olabilir. Kulaklık takın ve maruz kalma süresini sınırlandırın.
- Kir parçacıklarından dolayı oluşan göz yaralanmaları. Daima koruyucu gözlük, sağlam uzun pantolon, eldiven ve sağlama ayakkabılar giyiniz.
- Zehirli tozların solunması.

**LİTYUM İYON PİLLER İÇİN AÇIKLAMALAR**

**Lityum iyon pillerin kullanılması**

Uzun süre kullanım dışı kalmış kartuş aküleri kullanmadan önce şarj edin.

50°C üzerindeki sıcaklıklar kartuş akünün performansını düşürür. Akünün güneş ışığı veya mekân sıcaklığı altında uzun süre ısınmamasına dikkat edin.

Şarj cihazı ve kartuş aküdeki bağlantı kontaklarını temiz tutun.

Akünün ömrünün mükemmel bir şekilde uzun olması için kullandıktan sonra tamamen doldurulması gerekir. Ömrünün mümkün olduğu kadar uzun olması için akülerin yüklemeye yapıldıktan sonra doldurma cihazından uzaklaştırılması gerekir.

Akünün 30 günden daha fazla depolanması halinde: Aküyü takriben 27°C'de kuru olarak depolayın. Aküyü yüklemeye durumunun takriben % 30 - %50 olarak depolayın. Aküyü her 6 ay yeniden doldurun.

#### Lityum iyon pillerin aşırı pil şarj koruması

Pek fazla elektrik tüketiminden dolayı, örneğin aşırı fazla devir momentleri, aniden durma veya kısa devre gibi aküye aşırı yüklenme durumunda elektro cihazı 5 saniye titreşir, yüklemeye göstergesi yanıp söner ve elektro cihaz kendiliğinden durur.

Yeniden çalıştırmak için şalter baskısını serbest bırakın ve bundan sonra tekrar çalıştırın. Akü aşırı yüklenmeden dolayı fazla ısınır. Bu durumda akü soğuyana kadar yüklemeye göstergesinin bütün lambaları yanıp söner. Gösterge lambalarının sönmelerinden sonra tekrar çalışmaya devam edilebilir.

#### Lityum iyon pillerin taşınması

Lityum iyon piller tehlikeli madde taşımacılığı hakkındaki yasal hükümler tabidir.

Bu piller, bölgesel, ulusal ve uluslararası yönetmeliklere ve hükümlere uyularak taşınmak zorundadır.

Tüketiciler bu pilleri herhangi bir özel şart aranmaksızın karayoluyla taşıyabilirler.

Lityum iyon pillerin nakliye şirketleri tarafından ticari taşımacılığı için tehlikeli madde taşımacılığının hükümleri geçerlidir. Sevk hazırlığı ve taşıma sadece ilgili eğitimi görmüş personel tarafından gerçekleştirilebilir. Bütün süre uzmanca bir refakatçilik altında gerçekleştirilmek zorundadır.

Pillerin taşınması sırasında aşağıdaki hususlara dikkat edilmesi gerekmektedir:

Kısa devre oluşmasını önlemek için kontakların korunmuş ve izole edilmiş olmasını sağlayınız.

Pil paketinin ambalajı içinde kaymamasına dikkat ediniz. Hasarlı veya akmış pillerin taşınması yasaktır. Ayrıca bilgiler için nakliye şirketinize başvurunuz.

#### ÇALIŞMA AÇIKLAMALARI

##### Rastgele Yörüngeli Zımpara Makineleri ile Genel Zımparalama

Rastgele yörüngeli zımpara makinesi kullanırken birkaç konuya dikkat edilmelidir:

- Çoğu zımpara makinesinin aksine rastgele yörüngeli zımparalar, çalışılacak parçanın üzerine aleti çalıştırmadan ÖNCE yerleştirilmelidir. Zımpara, çalışılacak parçanın üzerine yerleştirilmeden önce çalıştırılırsa boşa salınan taban, parçanın üstüne konurken çizimelere neden olacak bir hızda çalışabilir.
- Rastgele yörüngeli zımpara makineleri, çoğu zımparanın aksine, çalışılan parçanın üzerinde istenen yönde hareket ettirilebilir (ahşap üstünde çalışılıyorsa, pürüzlerin yönünden bağımsız).
- Zımparaya uygulanan basıncın değişmesi, zımparanın dönme hızını etkiler. İnce işler için hafif bir basınç, kaba işler için orta düzeyde bir basınç önerilir. Fazla basınç uygulanması, tabanın yeteri kadar dönmemesine neden olur.
- Zımparalama tabanının, çalışılan parçanın üstünde düz halde durmasına dikkat edin. Zımpara makinesini eğmek ya da tabanın kenarlarını kullanmak, yüzeyin eşit olmasına yol açabilir ve tabanın ömrünü kısaltır.
- Zımparayı çalışılan parçanın üzerinde, geniş ve eşit hareketlerle kullanın. Bir noktayı uzun süre boyunca zımparalamak, o noktanın oyuk olmasına ve eşit olmayan bir yüzeye yol açabilir.
- Çalışılan parçayı sık sık kontrol edin; rastgele yörüngeli zımpara makineleri, basit yörüngeli zımpara makinelerinden daha sert çalışır.

1. Zımpara makinesini çalışılacak parçanın üstüne yerleştirin ve zımpara makinesini çalıştırın.

2. Zımpara sacını çalışılan parça üzerinde düz tutun; zımpara makinesini parça üzerinde uzun ve süpüren hamlelerle sürekli hareket ettirin.

3. Zımparalamaya kalın kumlu zımparayla başlayın; istenen sonuca ulaşana kadar kademeli olarak daha ince kumlu zımparalara geçin. Örneğin, zımpara makinesini ahşap üzerinde kullanırken 80 kumla başlayın; ardından önce 120 kumla, sonra 180 kumla devam edin.

#### Boya ya da Vernik Giderme

1. Birden fazla boya veya vernik katmanı giderirken mümkün olduğunca fazla kısmını boya çözücü ya da vernik çıkarıcı ile giderin.
2. Kalan boya veya verniği, spatula ya da başka bir kazıma aletiyle kazıyın. Çalışılacak parçaya zımpara uygulamadan önce yüzeyin soğumasını ve kurumasını bekleyin.
3. Zımparanın tıkanmasını önlemek için kalın kumlu bir zımpara seçin.
4. Eski kaplamanın (boya ya da vernik) ısınmasını ve yumuşamasını önlemek için zımpara makinesini sürekli yeni alanlara doğru hareket ettirin.
5. Bitmiş yüzeyin eşit olması için geniş ve üst üste gelen hareketlerle çalışın.
6. Eski kaplamanın altından çalışılan parça görünmeye başlayınca, parçanın yüzeyini çizmemek için orta kumlu bir zımparaya geçin. İstenen bitmiş yüzeye ulaşana kadar kademeli olarak daha ince kumlu zımparalara geçin.

#### TEMİZLENMESİ

Aletin havalandırma aralıklarını daima temiz tutun.

#### BAKIM

Sadece Milwaukee aksesuarı ve yedek parçası kullanın. Nasıl değiştirileceği açıklanmamış olan yapı parçalarını bir Milwaukee müşteri servisinde değiştirin (Garanti ve servis adresi broşürüne dikkat edin).

Gerektiği takdirde aletin dağılık görünüş şeması, alet tipinin ve tip etiketi üzerindeki sayının bildirilmesi koşuluyla müşteri servisinden veya doğrudan Techtronic Industries GmbH, Max-Eyth-Straße 10, 71364 Winnenden, Germany adresinden istenebilir.

#### SEMBOLLER

	Lütfen aleti çalıştırmadan önce kullanma kılavuzunu dikkatli biçimde okuyun.
	DİKKAT! UYARI! TEHLİKE!
	Aletin kendinde bir çalışma yapmadan önce kartuş aküyü çıkarın..
	Güç kullanmayın.
	Aletle çalışırken daima koruyucu gözlük kullanın.
	Uygun bir koruyucu toz maskesi kullanın
	Aksesuar - Teslimat kapsamında değildir, önerilen tamamlamalar aksesuar programında.



Elektrikli cihazların, pillerin/akülerin evsel atıklarla birlikte bertaraf edilmesi yasaktır. Elektrikli cihazlar ve aküler ayrılarak biriktirilmeli ve çevreye zarar vermeden bertaraf edilmeleri için bir atık değerlendirme tesisine götürülmelidirler. Yerel makamlara veya satıcınıza geri dönüşüm tesisleri ve atık toplama merkezlerinin yerlerini danışınız.

	Boştaki devir sayısı
	Voltaj
	Doğru akım
	Avrupa uyumluluk işareti
	Britanya uyumluluk işareti
	Ukrayna uyumluluk işareti
	Avrasya uyumluluk işareti

TECHNICKÁ DATA	M12 FDSS
Typ	vibrační bruska
Výrobní číslo	4914 26 01 XXXXXX MJJJJ
Napětí výměnného akumulátoru	12 V =
Volnoběžné otáčky 1/2/3/4	0-8000 / 0-10000 / 0-12000 / 0-14000 min <sup>-1</sup>
Průměr excentricity	1,5 mm
Rozměry brusné patky	88,8 x 63,5 mm
Hmotnost podle prováděcího předpisu EPTA 01/2014 (Li-Ion 2,0 Ah ... 6,0 Ah)	0,76 ... 1,00 kg
Doporučená teplota okolí pro provoz	-18 ... +50 °C
Doporučené akupaky	M12B...
Doporučené nabíječky	C12C; M12C4; M12-18...
<b>Informace o hluku:</b> Naměřené hodnoty odpovídají EN 62841. V třídě A posuzovaná hladina hluku přístroje činí typicky:	
Hladina akustického tlaku / Kolísavost K	64,69 dB (A) / 3 dB (A)
Hladina akustického výkonu / Kolísavost K	75,69 dB (A) / 3 dB (A)
<b>Používejte chrániče sluchu !</b>	
<b>Informace o vibracích:</b> Celková hodnota vibrací (vektorový součet tří směrů) zjištěnéve smyslu EN 62841.	
Hodnota vibračních emisí a <sub>n</sub> / Kolísavost K	4,3 m/s <sup>2</sup> / 1,5 m/s <sup>2</sup>

## VAROVÁNÍ!

Hladina vibrací a emisí hluku uvedená v tomto informačním listu byla měřena v souladu se standardizovanou zkouškou uvedenou v normě EN 62841 a může být použita ke srovnání jednoho nástroje s jiným. Může být použita k předběžnému posouzení expozice.

Deklarovaná úroveň vibrací a emisí hluku představuje hlavní použití nástroje. Pokud se však nástroj používá pro různé aplikace, s různými příslušenstvími nebo s nedostatečnou údržbou, mohou se vibrace a emise hluku lišit. To může výrazně zvýšit úroveň expozice v průběhu celé pracovní doby.

Odhad úrovně expozice vibracím a hluku by měl také vzít v úvahu dobu, kdy je nástroj vypnutý nebo když běží, ale ve skutečnosti neprovádí úlohu. To může výrazně snížit úroveň expozice v průběhu celé pracovní doby.

Identifikujte dodatečná bezpečnostní opatření k ochraně pracovníka obsluhy před účinky vibrací a/nebo hluku, například: údržba nástroje a příslušenství, udržování rukou v teple, organizace pracovních schémat.

**VAROVÁNÍ!** Přečtěte si všechny bezpečnostní pokyny, instrukce, popisy a údaje, které obdržíte s přístrojem. Pokud následující pokyny nedodržíte, může to vést k úderu elektrickým proudem, požáru nebo těžkým poraněním.

**Všechna varovná upozornění a pokyny do budoucna uschovejte.**

## DALŠÍ BEZPEČNOSTNÍ A PRACOVNÍ POKYNY

Nesahejte do nebezpečného prostoru běžícího stroje. Pokud stroj běží, nesmí být odstraňovány třísky nebo odštěpky. Použijte ochranné vybavení. Při práci s elektrickým nářadím používejte vždy ochranné brýle. Prach vznikající při práci bývá zdraví škodlivý, a proto by se neměly vdechovat. Používejte odsávání prachu a navíc se chraňte vhodnou ochrannou maskou. Usazený prach dobře odstraňte, např. odsátím

Stroj okamžitě vypněte, zjistíte-li neobvyklé vibrace nebo jiné problémy. Stroj přezkoušejte, abyste zjistili příčinu problému.

Obráběný kus musí být řádně upnut, není-li dostatečně těžký. Vzhledem k nebezpečí zkratu se nesmí dostat do odvětrávací mezery kovy.

**VAROVÁNÍ!** Abyste zabránili nebezpečí požáru způsobeného zkratem, poraněním nebo poškozením výrobku, neponožujte nářadí, výměnnou baterii nebo nabíječku do kapalín a zajistěte, aby do zařízení a akumulátoru nevnikly žádné tekutiny. Korodující nebo vodivé kapaliny, jako je slaná voda, určité chemikálie a bělicí prostředky nebo výrobky, které obsahují bělidlo, mohou způsobit zkrat.

Používejte jen originální Milwaukee brusivo a lešticí příslušenství se suchým zipem.

Náhradní akumulátory ani nabíječku neotvírejte, skladujte je v suchu, chraňte před vlhkem.

Akumulátor systému M12 nabíjejte pouze nabíječkou systému M12. Nenabíjejte akumulátory jiných systémů.

## OBlast VYUŽITÍ

Brusku je možné použít k broušení dřevěných, plastových, kovových, tmelových a lakovaných povrchů.

Nepoužívejte výrobek jiným způsobem, než jaký je uveden pro zamýšlené použití.

## ZBYVAJÍCÍ RIZIKA

Ani při řádném používání není možné vyloučit všechna zbývající rizika. Při používání mohou vzniknout níže uvedené rizika, na která by měla obsluha dávat zvlášť pozor:

- Poranění způsobená vibrací. Přístroj držte pouze za určená držadla a omezte čas práce a expozice.
- Zatížení hlukem může vést k poškození sluchu. Noste ochranu sluchu a omezte dobu expozice.
- Poranění očí způsobená částicemi nečistot. Noste vždy ochranné brýle, pevně dlouhé kalhoty, rukavice a pevnou obuv.
- Vdechnutí jedovatých druhů prachu.

## UPOZORNĚNÍ NA LITHIUM-IONTOVÉ BATERIE

### Použití lithium-iontových baterií

Déle nepoužívané akumulátory je nutné před použitím znovu nabít.

Teplota přes 50°C snižuje výkon akumulátoru. Chraňte před dlouhým přehříváním na slunci či u topení. Kontakty nabíječky a akumulátoru udržujte v čistotě.

Pro optimální životnost je nutné akumulátory po použití plně dobít. K zabezpečení dlouhé životnosti by se akumulátory měly po nabíjení vyjmout z nabíječky.

Při skladování akumulátoru po dobu delší než 30 dní:

Skladujte akumulátor v suchu při cca 27°C. Skladujte akumulátor při cca 30%-50% nabíjecí kapacitě. Opakujte nabíjení akumulátoru každých 6 měsíců.

## Ochrana proti přetížení u lithium-iontových baterií

Při přetížení akumulátoru příliš vysokou spotřebou proudu, například při extrémně vysokém kroučícím momentu, začne elektrické nářadí po dobu 5 sekund vibrovat, indikátor dobíjení začne blikat a motor se následně samočinně vypne.

K opětnému zapnutí uvolněte a následně opět stiskněte tlačítkový vypínač. Při extrémním zatížení dochází k příliš vysokému ohřevu akumulátoru. V tomto případě začnou blikat všechny kontrolky indikátoru dobíjení a blikají tak dlouho, dokud se akumulátor opět neochladí. V okamžiku, kdy indikátor dobíjení přestane blikat, je možné v práci opět pokračovat.

## Přeprava lithium-iontových baterií

Lithium-iontové baterie spadají podle zákonných ustanovení pod přepravu nebezpečného nákladu.

Přeprava těchto baterií se musí realizovat s dodržováním lokálních, vnitrostátních a mezinárodních předpisů a ustanovení.

Spotřebitelé mohou tyto baterie bez problémů přepravovat po komunikacích.

Komerční přeprava lithium-iontových baterií prostřednictvím přepravních firem podléhá ustanovením o přepravě nebezpečného nákladu. Přípravu k vyexpedování a samotnou přepravu smějí vykonávat jen příslušně vyškolené osoby. Na celý proces se musí odborně dohlížet.

Při přepravě baterií je třeba dodržovat následující:

Zajistěte, aby kontakty byly chráněné a izolované, aby se zamezilo zkratům.

Dávejte pozor na to, aby se svazek baterií v rámci balení nemohl sesmeknout. Poškozené a vyteklé baterie se nesmějí přepravovat. Ohledně dalších informací se obraťte na vaši přepravní firmu.

## PRACOVNÍ POKYNY

### Běžné broušení s excentrickými bruskami

Při použití excentrických brusek je potřeba myslet na několik věcí:

- Na rozdíl od většiny brusek by se excentrické brusky měly na obrobek přiložit PŘED zapnutím nářadí. Pokud se bruska zapne před umístěním na obrobek, volně se pohybující podložka se může otáčet rychlostí, při které může dojít po kontaktu s obrobkem k poškrábání.
- Excentrickými bruskami se na rozdíl od většiny brusek může pohybovat po obrobku v kterémkoli směru (v případě dřeva bez ohledu na směr žilkování).
- Různý tlak vyvíjený na brusku bude mít vliv na rychlost jejího otáčení. Pro jemnou práci se doporučuje lehký tlak, pro hrubou práci středně silný tlak. Při nadměrném tlaku se podložka nebude dostatečně otáčet.
- Brusnou podložku držte na obrobku vodorovně. Budete-li brousit špičku nebo používat okraje brusné podložky, pak může být povrch nerovný a může se zkrátit životnost podložky.
- Po obrobku pohybujte brusku širokými souměrnými tahy. Budete-li brousit jedno místo příliš dlouho, může vzniknout prohlubeň a výsledkem může být nerovný povrch.
- Obrobek často kontrolujte, jelikož excentrické brusky brousí silněji než obyčejné orbitální brusky.

1. Přiložte brusku na obrobek a zapněte ji.

2. Dbejte na to, aby se brusný list vždy dotýkal obrobku naplocho, pohybujte bruskou po obrobku a přitom dělejte dlouhé táhlé pohyby.

3. Začněte obrušovat hrubým brusným papírem a postupně ho měňte za jemnější a jemnější, dokud nedocílíte požadovaného finišu. Pokud budete brusku používat například na dřevo, začněte s papírem o hrubosti 80, poté použijte papír o hrubosti 120, poté 180 a tak dále.

### Odstranění nátěru nebo laku

1. Budete-li chtít odstranit několik vrstev nátěru nebo laku, odstraňte jich co možná nejvíce ředidlem na barvu nebo odlakovačem.

2. Zbytky oškrábejte škrabkou nebo jiným nástrojem na škrábání, a než přiložíte brusku na obrobek, nechejte povrch vychladnout a uschnout.

3. Zvolte si hrubý brusný papír, abyste předešli zanesení brusného papíru.

4. Bruskou pohybujte po nových místech, abyste předešli zahřívání a změkčení starého nátěru (barvy nebo laku).

5. Dělejte široké překrývající se pohyby, aby byl výsledný finiš jednotný.

6. Jakmile se pod starým nátěrem začne objevovat obrobek, vyměňte brusný papír za středně hrubý, abyste povrch obrobku nepoškrábali. Postupně bruste jemnějším brusným papírem, dokud nedosáhnete požadovaného finišu.

## ČIŠTĚNÍ

Větrací štěrbinu nářadí udržujeme stále čisté.

## ÚDRŽBA

Používat výhradně příslušenství Milwaukee a náhradní díly Milwaukee. Díly jejichž výměny nebyla popsána, nechte vyměnit v autorizovaném servisu (viz. "Záruky / Seznam servisních míst")

Při potřebě podrobného rozkresu konstrukce, oslovte informaci o typu a čísle přímo servis a nebo výrobce, Techtronic Industries GmbH, Max-Eyth-Straße 10, 71364 Winnenden, Germany.

**SYMBOLY**

	Před spuštěním stroje si pečlivě pročtěte návod k používání.
	<b>POZOR! VAROVÁN! NEBEZPEČÍ!</b>
	Před zahájením veškerých prací na vrtacím šroubováků vyjmout výměnný akumulátor..
	Nepoužívejte sílu.
	Při práci se strojem neustále nosit ochranné brýle.
	Používejte při práci vhodnou ochranou masku.
	Příslušenství není součástí dodávky, viz program příslušenství.
	Elektrická zařízení, baterie/akumulátory se nesmí likvidovat společně s odpadem z domácnosti. Elektrická zařízení, baterie/akumulátory je třeba sbírat odděleně a odevzdat je v recyklačním podniku na ekologickou likvidaci. Na místních úřadech nebo u vašeho specializovaného prodejce se informujte na recyklační podniky a sběrné dvory.
$n_0$	Volnoběžné otáčky
$v$	napětí
	Stejnoseměrný proud
	Značka shody v Evropě
	Značka shody v Británii
	Značka shody na Ukrajině
	Značka shody pro oblast Eurasie

**TECHNICKÉ ÚDAJE**

	M12 FDSS
Typ	Vibračná brúska
Výrobné číslo	4914 26 01 XXXXXX MJJJJ
Napätie výmenného akumulátora	12 V ==
Otáčky naprázdno 1/2/3/4	0-8000 / 0-10000 / 0-12000 / 0-14000 min <sup>-1</sup>
Priemer okruhu kmitania.	1,5 mm
Rozmery brúsnej platne.	88,8 x 63,5 mm
Hmotnosť podľa vykonávacieho predpisu EPTA 01/2014 (Li-Ion 2,0 Ah ... 6,0 Ah)	0,76 ... 1,00 kg
Odporúčaná teplota okolia pre prevádzku	-18 ... +50 °C
Odporúčaná akupaky	M12B...
Odporúčané nabíjačky	C12C; M12C4; M12-18...
<b>Informácia o hluku:</b> Namerané hodnoty určené v súlade s EN 62841. V triede A posudzovaná hladina hluku prístroja činí typicky:	
Hladina akustického tlaku / Kolísavosť K	64,69 dB (A) / 3 dB (A)
Hladina akustického výkonu / Kolísavosť K	75,69 dB (A) / 3 dB (A)
<b>Používajte ochranu sluchu!</b>	
<b>Informácie o vibráciách:</b> Celkové hodnoty vibrácií (vektorový súčet troch smerov) zistených zmysle EN 62841.	
Hodnota vibračných emisií a <sub>v</sub> / Kolísavosť K	4,3 m/s <sup>2</sup> / 1,5 m/s <sup>2</sup>

**POZOR!**

Úroveň vibrácií a emisií hluku uvedená v tomto informačnom liste bola meraná v súlade so štandardizovanou skúškou uvedenou v EN 62841 a môže sa použiť na porovnanie jedného nástroja s druhým. Môže sa použiť v predbežnom posúdení expozície.

Deklarovaná úroveň vibrácií a emisií hluku predstavuje hlavné aplikácie nástroja. Ak sa však nástroj používa pre rôzne aplikácie, s rôznym príslušenstvom alebo s nedostatočnou údržbou, môžu sa vibrácie a emisie hluku líšiť. To môže výrazne zvýšiť úroveň expozície počas celej pracovnej doby.

Odhad úrovne expozície vibráciám a hluku by mal tiež brať do úvahy časy, keď je nástroj vypnutý alebo keď beží, ale v skutočnosti nevykonáva prácu. To môže výrazne znížiť úroveň expozície počas celej pracovnej doby.

Identifikujte dodatočné bezpečnostné opatrenia na ochranu pracovníka obsluhy pred účinkami vibrácií a/alebo hluku, ako je: údržba nástroja a príslušenstva, udržanie teplých rúk, organizácia pracovných schém.

**POZOR!** Prečítajte si všetky bezpečnostné upozornenia, pokyny, vyobrazenia a údaje, ktoré dostanete spolu s prístrojom. Ak by ste nedodržali nasledujúce pokyny, mohlo by to mať za následok zásah elektrickým prúdom, vznik požiaru a/alebo vážne poranenie.

**Tieto Výstražné upozornenia a bezpečnostné pokyny starostlivo uschovajte na budúce použitie.**

**ĎALŠIE BEZPEČNOSTNÉ A PRACOVNÉ POKYNY**

Nesiahať do nebezpečnej oblasti bežiaceho stroja. Triesky alebo úlomky sa nesmú odstraňovať za chodu stroja. Použite ochranné vybavenie. Pri práci s elektrickým náradím používajte vždy ochranné okuliare. Prach, ktorý vzniká pri práci je často zdraviu škodlivý a nemal by sa dostať do tela. používajte odsávac prachu a noste vhodnú masku proti prachu. Uskladnený prach dôkladne odstráňte, napr. vysať.

Ak za chodu prístroja dôjde k výraznému kmitaniu alebo sa vyskytnú iné nedostatky, okamžite ho vypnite. Stroj skontrolujte, aby ste zistili príčinu.

Opracovávaný obrobok musí byť pevne upnutý, pokiaľ nedrží vlastnou váhou. Z dôvodu nebezpečia skratu sa do vetracích otvorov nesmú dostať kovové predmety.

**POZOR!** Aby ste zabránili nebezpečenstvu požiaru spôsobeného skratom, poraneniam alebo poškodeniam výrobku, neponárajte náradie, výmennú batériu alebo nabíjačku do kvapalín a postarajte sa o to, aby do zariadení a akumulátorov nevnikli žiadne tekutiny. Korodujúce alebo vodivé kvapaliny, ako je slaná voda, určité chemikálie a bieliace prostriedky alebo výrobky, ktoré obsahujú bielidlo, môžu spôsobiť skrat.

Používajte len originálne Milwaukee brúsne a leštiace nástroje so suchým zipsom.

Výmenné akumulátory a nabíjacie zariadenia neotvárajte a skladovajte len v suchých priestoroch. Chránite pred vlhkosťou.

Výmenné akumulátory systému M12 nabíjajte len nabíjacími zariadeniami systému M12. Akumulátory iných systémov týmto zariadením nenabíjajte.

**POUŽITIE PODĽA PREDPISOV**

Brúska je možné použiť na brúsenie drevených, plastových, kovových, tmelových a lakovaných povrchov.

Nepoužívajte výrobok iným spôsobom, než aký je uvedený pre zamýšľané použitie.

**ZVÝŠKOVÉ RIZIKÁ**

Aj pri riadnom používaní nie je možné vylúčiť všetky zvyškové riziká. Pri používaní môžu vzniknúť nasledovné nebezpečenstvá, na ktoré by mala obsluha dávať zvlášť pozor:

- Poranenia spôsobené vibráciou. Prístroj držte iba za určené držadlá a obmedzte čas práce a expozície.
- Zaťaženie hlukom môže viesť k poškodeniam sluchu. Noste ochranu sluchu a obmedzte dobu expozície.
- Poranenia očí spôsobené čistočkami nečistôt. Noste vždy ochranné okuliare, pevné dlhé nohavice, rukavice a pevnú obuv.
- Vdýchnutie jedovatých druhov prachu.

**UPOZORNENIE NA LÍTIUM-IÓNOVÉ BATÉRIE**

**Použitie lítium-iónových batérií**

Dlhší čas nepoužívané výmenné akumulátory pred použitím dobíť.

Teplota vyššia ako 50°C znižuje výkon výmenného akumulátora. Zabráňte dlhšiemu ohriatiu slnkom alebo kúrením. Prípadné kontakty na nabíjacom zariadení a výmennom akumulátore udržiavať čisté.

Pre optimálnu životnosť je nutné akumulátory po použití plne dobíť. K zabezpečeniu dlhej životnosti by sa akumulátory mali po nabíť vybrať z nabíjačky.

Pri skladovaní akumulátora po dobu dlhšiu než 30 dní: Skladujte akumulátor v suchu pri cca 27°C. Skladujte akumulátor pri cca 30%-50% nabíjacej kapacity. Opakujte nabíjanie akumulátora každých 6 mesiacov.

## Ochrana proti preťaženiu pri lítium-iónových batériách

Pri preťažení akumulátora príliš vysokou spotrebou prúdu, napríklad pri extrémne vysokom krútiacom momente, začne elektrické náradie po dobu 5 sekúnd vibrovať, indikátor dobijania začne blikať a motor sa následne samočinne vypne.

K opätovnému zapnutiu uvoľníte a následne opäť stlačíte tlačidlový vypínač. Pri extrémnom zaťažení dochádza k príliš vysokému ohrevu akumulátora. V tomto prípade začnú blikať všetky kontrolky indikátora dobijania a blikajú tak dlho, dokiaľ sa akumulátor opäť neochladí. V okamihu, keď indikátor dobijania prestane blikať, je možné v práci opäť pokračovať.

## Preprava lítiovo-iónových batérií

Lítiovo-iónové batérie podľa zákonných ustanovení spadajú pod prepravu nebezpečného nákladu.

Preprava týchto batérií sa musí realizovať s dodržiavaním lokálnych, vnútroštátnych a medzinárodných predpisov a ustanovení.

Spotrebiteľia môžu tieto batérie bez problémov prepravovať po cestách.

Komerčná preprava lítiovo-iónových batérií prostredníctvom špeciálnych firiem podlieha ustanoveniam o preprave nebezpečného nákladu. Prípravu k vyexpedovaniu a samotnú prepravu smú vykonávať iba adekvátne vyškolené osoby. Na celý proces sa musí odborné dohliadať.

Pri preprave batérií treba dodržiavať nasledovné:

Zabezpečte, aby boli kontakty chránené a izolované, aby sa zamedzilo skratom.

Dávajte pozor na to, aby sa zväzok batérií v rámci balenia nemohol zošmyknúť. Poškodené a vytečené batérie sa nesmú prepravovať. Kvôli ďalším informáciám sa obráťte na vašu špeciálnu firmu.

## NAPOTKI ZA DELO

### Všeobecné brúsenie pomocou excentrických brúsok

Pri používaní excentrických brúsok je potrebné mať na pamäti niekoľko vecí:

- Na rozdiel od väčšiny brúsok by mali byť excentrické brúsky umiestnené na obrobok PRED spustením nástroja. Ak sa brúška spustí pred umiestnením na obrobok, voľne plávajúca podložka sa môže otáčať rýchlosťou, ktorá môže spôsobiť škrabance, keď bude konečne umiestnená na obrobok.
- Na rozdiel od väčšiny brúsok sa excentrické brúsky môžu pohybovať po obrobku v ľubovoľnom smere (v prípade dreva bez ohľadu na smer jadra).
- Rôzny tlak aplikovaný na brúsku ovplyvní rýchlosť jej otáčania. Malý tlak sa odporúča pre jemnú prácu, stredný tlak pre hrubú prácu. Nadmerný tlak neumožňuje dostatočnú rotáciu podložky.
- Brúsku podložku udržiajte rovno na obrobku. Naklonenie brúsky alebo používanie okrajov podložky môže spôsobiť nerovný povrch a znížiť životnosť podložky.
- Udržiajte brúsku v pohybe širokými rovnomernými pohybmi po obrobku. Príliš dlhé brúsenie na jednom mieste môže spôsobiť ryhovanie a nerovnomerné výsledky.
- Často kontrolujte obrobok, excentrické brúsky pracujú agresívnejšie ako jednoduché brúsky.

1. Položte brúsku na obrobok a zapnite ju.

2. Udržiajte brúsny list rovno na obrobku, udržiajte brúsku v pohybe po obrobku a používajte dlhé, splyvajúce pohyby.

3. Začnite brúsiť brúsny papierom s hrubou zrnitosťou a postupne používajte jemnejšie a jemnejšie zrnitosti brúsneho papiera, kým nedosiahnete požadovaný povrch. Napríklad pri použití brúsky na dreve začnite so zrnitosťou 80, potom 120, následne 180 atď.

## Odstránenie farby alebo laku

1. Pri odstraňovaní niekoľkých vrstiev farby alebo laku odstráňte čo najviac pomocou rozpúšťadla farieb alebo odstraňovača lakov.
2. Zvyšky zoškrabte špachtľou alebo iným škrabacím nástrojom a pred umiestnením brúsky na obrobok nechajte povrch vychladnúť a vysušiť.
3. Vyberte list brúsneho papiera s hrubou zrnitosťou, aby ste zabránili upchávaniu brúsneho papiera.
4. Udržiajte brúsku v pohybe na nových plochách, aby ste zabránili zahrievaniu a zmäkčovaniu starého náteru (farby alebo laku).
5. Pracujte širokými, prekrývajúcimi sa pohybmi, aby ste dosiahli jednotný povrch.
6. Keď obrobok začne presvitať cez starý náter, prejdite na list brúsneho papiera so strednou zrnitosťou, aby ste predišli poškrabaniu povrchu obrobku. Postupne prejdite na brúsny papier s jemnou zrnitosťou, kým nedosiahnete požadovaný povrch.

## ČISTENIE









Vetracie otvory udržiavať stále v čistote.






## ÚDRZBA

Používať len Milwaukee príslušenstvo a Milwaukee náhradné diely. Súčiastky bez návodu na výmenu treba dať vymeniť v jednom z Milwaukee zákazníckych centier (viď brožúru Záruka/Adresy zákazníckych centier).

Pri udaní typu stroja a čísla nachádzajúceho sa na štítku dá sa v prípade potreby vyžiadať explozívna schéma prístroja od vášho zákazníckeho centra alebo priamo v Techtronic Industries GmbH, Max-Eyth-Straße 10, 71364 Winnenden, Germany.

## SYMBOLY

	Pred prvým použitím prístroja si pozorne prečítajte návod na obsluhu.
	POZOR! NEBEZPEČENSTVO!
	Pred každou prácou na stroji výmenný akumulátor vytiahnuť..
	Nepoužívajte silu.
	Pri práci so strojom vždy nosite ochranné okuliare.
	Pri práci nosiť vhodnú ochrannú masku, aby sa nedostal do ľudského organizmu.
	Príslušenstvo - nie je súčasťou štandardnej výbavy, odporúčané doplnenie z programu príslušenstva.
	Elektrické zariadenia, batérie/akumulátory sa nesmú likvidovať spolu s odpadom z domácností. Elektrické zariadenia, batérie/akumulátory treba zbierať oddelene a odovzdať ich v recyklačnom podniku na ekologickú likvidáciu. Na miestnych úradoch alebo u vášho špecializovaného predajcu sa spýtajte na recyklačné podniky a zberné dvory.
<b>n<sub>0</sub></b>	Otáčky naprázdno
<b>V</b>	Napätie

	Jednosmerný prúd
	Značka zhody v Európe
	Značka zhody v Británii
	Značka zhody na Ukrajine
	Značka zhody pre oblasť Eurázie

DANE TECHNICZNE	M12 FDSS
Typ	szlifierka wibracyjna
Numer produkcyjny	4914 26 01 XXXXXX MJJJJ
Napięcie baterii akumulatorowej	12 V =
Prędkość bez obciążenia 1/2/3/4	0-8000 / 0-10000 / 0-12000 / 0-14000 min <sup>-1</sup>
Średnica ruchu orbitalnego	1,5 mm
Wymiary płyty ściernej	88,8 x 63,5 mm
Ciężar wg procedury EPTA 01/2014 (Li-Ion 2,0 Ah ... 6,0 Ah)	0,76 ... 1,00 kg
Zalecana temperatura otoczenia w trakcie eksploatacji	-18 ... +50 °C
Zalecane zestawy akumulatorowe	M12B...
Zalecane ładowarki	C12C; M12C4; M12-18...
<b>Informacja dotycząca szumów:</b> Zmierzone wartości wyznaczono zgodnie z normą EN 62841.	
Poziom szumów urządzenia oszacowany jako A wynosi typowo:	
Poziom ciśnienia akustycznego / Niepewność K	64,69 dB (A) / 3 dB (A)
Poziom mocy akustycznej / Niepewność K	75,69 dB (A) / 3 dB (A)
<b>Należy używać ochroniaczy uszu!</b>	
<b>Informacje dotyczące wibracji:</b> Wartości łączne drgań (suma wektorowa trzech kierunków) wyznaczone zgodnie z normą EN 62841	
Wartość emisji drgań a <sub>h</sub> / Niepewność K	4,3 m/s <sup>2</sup> / 1,5 m/s <sup>2</sup>

## OSTRZEŻENIE!

Poziom drgań i emisji hałasu podany w niniejszej instrukcji zmierzono zgodnie ze standardową metodą badania wg EN 62841 i można ją wykorzystać do porównania narzędzia z innym narzędziem. Można go wykorzystać przy wstępnej ocenie narażenia.

Deklarowany poziom emisji drgań i hałasu reprezentuje główne zastosowania narzędzia. Jeśli jednak narzędzie jest używane do różnych zastosowań, z różnymi akcesoriami lub w przypadku nieprawidłowej konserwacji, emisja drgań i hałasu może się różnić. Może to znacznie zwiększyć poziom narażenia w całym okresie eksploatacji narzędzia.

Oszacowanie poziomu narażenia na wibracje i hałas powinno również uwzględniać czasy, kiedy narzędzie jest wyłączone lub kiedy jest włączone, ale nie pracuje. Może to znacznie obniżyć poziom ekspozycji w całym okresie eksploatacji narzędzia.

Należy zidentyfikować dodatkowe środki bezpieczeństwa w celu ochrony operatora przed skutkami wibracji i/lub hałasu, takie jak: utrzymywanie narzędzia i akcesoriów w nienagannym stanie, utrzymywanie ciepła rąk, organizacja pracy.

**OSTRZEŻENIE!** Przeczytać wszystkie wskazówki bezpieczeństwa, instrukcje, ilustracje i dane dołączone do urządzenia. Jeśli nie będą przestrzegane następujące przepisy, może dojść do porażenia prądem, pożaru i/lub ciężkich obrażeń ciała.

**Należy starannie przechowywać wszystkie przepisy i wskazówki bezpieczeństwa dla dalszego zastosowania.**

## DODATKOWE WSKAZÓWKI BEZPIECZEŃSTWA I INSTRUKCJE ROBOCZE

Podczas pracy strugarki nie zbliżać się do strefy niebezpiecznej. Podczas pracy elektronarzędzia nie wolno usuwać trocin ani drzazg. Stosować wyposażenie ochronne. Przy pracy maszyną zawsze nosić okulary ochronne. Pył wydzielający się podczas pracy z elektronarzędziem może być szkodliwy dla zdrowia i dlatego też nie powinien on mieć kontaktu z ciałem. Stosować układ pochłaniania pyłu i nosić odpowiednią maskę ochronną. Dokładnie usunąć nagromadzony pył np. przy pomocy odkurzacza.

Natychmiast wyłączyć elektronarzędzie w przypadku wystąpienia znacznych drgań lub w przypadku stwierdzenia innych usterek. Sprawdzić urządzenie w celu ustalenia przyczyny.

Jeśli ciężar własny obrabianego przedmiotu nie pozwala jego unieruchomienie, to należy go zamocować. Nie dopuszczać do przedostawania się części metalowych do szczelin powietrznych - niebezpieczeństwo zwarcia!

**OSTRZEŻENIE!** Aby uniknąć niebezpieczeństwa pożaru, obrażeń lub uszkodzeń produktu na skutek zwarcia, nie wolno zanurzać narzędzia, akumulatora wymiennego ani ładowarki w cieczach i należy zatroszczyć się o to, aby do urządzeń i akumulatorów nie dostały się żadne ciecze. Zwarcie spowodować mogą korodujące lub przewodzące ciecze, takie jak woda morska, określone chemikalia i wybielacze lub produkty zawierające wybielacze.

Stosować wyłącznie oryginalne narzędzia strugarskie i polerskie z samoczującym systemem Velcro

Nie otwierać wkładek akumulatorowych i ładowarek. Przechowywać

w suchych pomieszczeniach. Chronić przed wilgocią.

Akumulatory Systemu M12 należy ładować wyłącznie przy pomocy ładowarek Systemu M12. Nie ładować przy pomocy tych ładowarek akumulatorów innych systemów.

## WARUNKI UŻYTKOWANIA

Szlifierka może być używana do obróbki drewna, tworzyw sztucznych, metalu, szpachli i powierzchni malowanych.

Nie należy używać produktu w inny sposób niż zgodny z jego przeznaczeniem.

## ZAGROŻENIA RESZTKOWE

Nawet przy prawidłowym użytkowaniu nie można wykluczyć wszystkich ryzyk rezydualnych. W trakcie użytkowania mogą powstawać poniższe zagrożenia, nawet w przypadku zachowania przez operatora najwyższej troski:

- Obrażenia spowodowane przez wibrację. Urządzenie należy trzymać za przeznaczony w tym celu uchwyt i ograniczać czas pracy i czas ekspozycji.
- Uciążliwość akustyczna może prowadzić do uszkodzeń słuchu. Należy mieć na sobie nauszki i ograniczać czas trwania ekspozycji.
- Obrażenia oczu spowodowane przez cząstki brudu. Należy zawsze mieć na sobie okulary ochronne, solidne długie spodnie, rękawice i solidne buty robocze.
- Wdychanie toksycznego pyłu.

## WSKAZÓWKI DLA AKUMULATORÓW LITOWO-JONOWYCH

### Użytkowanie akumulatorów litowo-jonowych

Akumulatory, które nie były przez dłuższy czas użytkowane, należy przed użyciem naładować.

W temperaturze powyżej 50°C następuje spadek osiągniętych wartości akumulatorowej. Unikaj długotrwałego wystawienia na

oddziaływanie ciepła lub promieni słonecznych (niebezpieczeństwo przegrzania). Styki ładowarek i wkładek akumulatorowych należy utrzymywać w czystości

Dla zapewnienia optymalnej żywotności akumulatory po użyciu należy naładować do pełnej pojemności.

Dla zapewnienia możliwie długiej żywotności akumulatory należy wyjąć z ładowarki po ich naładowaniu.

W przypadku składowania akumulatorów dłużej aniżeli 30 dni: Przechowywać je w suchym miejscu w temperaturze ok. 27°C. Przechowywać je w stanie naładowanym do ok. 30% - 50%. Ładować je ponownie co 6 miesięcy.

## Ochrona przeciwpromieniowa w akumulatorach litowo-jonowych

W przypadku przecięcia akumulatora przez bardzo duży pobór prądu, na przykład wskutek ekstremalnie dużych momentów obrotowych, narzędzie ręczne z napędem elektrycznym wibruje przez 5 sekund, miga wskaźnik ładowania i narzędzie samoczynnie wyłącza się.

W celu ponownego włączenia narzędzia należy zwolnić przycisk przełączający, a następnie ponownie go włączyć. Przy ekstremalnych obciążeniach akumulator nagrzewa się za mocno. W takim przypadku wszystkie lampki wskaźnika ładowania migają tak długo, aż akumulator ochłodzi się. Po zgaśnięciu wskaźnika ładowania można kontynuować prace.

## Transport akumulatorów litowo-jonowych

Akumulatory litowo-jonowe podlegają ustawowym przepisom dotyczącym transportu towarów niebezpiecznych.

Transport tych akumulatorów winien odbywać się przy rozporządzeniu lokalnych, krajowych i międzynarodowych przepisów.

Odbiorcom nie wolno transportować tych akumulatorów po drogach ot tak po prostu.

Komercyjny transport akumulatorów litowo-jonowych przez przedsiębiorstwa spedycyjne podlega przepisom dotyczącym transportu towarów niebezpiecznych. Przygotowania do wysyłki oraz transport mogą być wykonywane wyłącznie przez odpowiednio przeszkolone osoby. Cały proces winien odbywać się pod fachowym nadzorem.

W czasie transportu akumulatorów należy przestrzegać następujących punktów:

Celem uniknięcia zwarcia należy upewnić się, że zestyki są zabezpieczone i zaizolowane.

Zwracać uwagę na to, aby zespół akumulatorów nie mógł się przemieszczać we wnętrzu opakowania. Nie wolno transportować akumulatorów uszkodzonych lub z wyciekającym z elektrolitem. Odnośnie dalszych wskazówek należy zwrócić się do swojego przedsiębiorstwa spedycyjnego.

## WSKAZÓWKI DOTYCZĄCE UŻYTKOWANIA

### Ogólne zasady szlifowania za pomocą szlifierek mimosłodowych

Korzystając z szlifierek mimosłodowych, należy pamiętać o kilku rzeczach:

- W przeciwieństwie do większości szlifierek, szlifierkę mimosłodową przykładają się do powierzchni obrabianego przedmiotu PRZED uruchomieniem narzędzia. Jeśli szlifierka zostanie uruchomiona przed umieszczeniem jej na obrabianym przedmiocie, ruchoma podkładka może zarysować powierzchnię.
- W przeciwieństwie do większości szlifierek, szlifierki mimosłodowe można przesuwając po obrabianym przedmiocie w dowolnym kierunku (w przypadku drewna, niezależnie od kierunku słojów).
- Zmiana nacisku wywieranego na szlifierkę wpływa na jej prędkość obrotową. Lekki docisk jest zalecany w przypadku drobnej obróbki, a umiarkowany do obróbki zgrubnej. Nadmierny nacisk ogranicza prędkość obrotową podkładki.
- Podkładkę ścierną należy prowadzić płasko po obrabianym przedmiocie. Prowadzenie szlifierek pod kątem lub szlifowanie

krawędzią podkładki może spowodować nierówną obróbkę materiału i szybsze zużycie podkładki.

• Szlifierkę należy prowadzić szerokimi, równymi ruchami po obrabianym przedmiocie. Zbyt długie szlifowanie w jednym miejscu może spowodować wyłobienia i nierównomierne wykończenie materiału.

• Zalecana jest częsta kontrola obrabianej powierzchni – szlifiereki mimosłodowe działają bardziej agresywnie niż zwykłe szlifiereki oscylacyjne.

1. Umieścić szlifierkę na obrabianym przedmiocie i włączyć urządzenie.

2. Papier ścierny powinien przylegać płasko do obrabianej powierzchni. Prowadzić szlifierkę w poprzek obrabianego przedmiotu, długimi, zamasytymi ruchami.

3. Szlifowanie należy rozpocząć od gruboziarnistego papieru ściernego i stopniowo używać papieru coraz drobniejszego, aż do uzyskania pożądanego wykończenia powierzchni. Przykładowo, przy szlifowaniu drewna można zacząć od papieru ściernego o grubości 80, następnie 120, 180 i tak dalej.

### Usuwanie farby lub lakieru

1. Usuwając kilka warstw farby lub lakieru, należy jak najwięcej usunąć za pomocą rozpuszczalnika do farb lub zmywacza do lakieru.

2. Pozostałości należy zeszkrobać szpachlą lub podobnym narzędziem i pozostawić powierzchnię do wyschnięcia przed użyciem szlifiereki.

3. Pracę szlifierką należy rozpocząć od papieru ściernego o grubym uziarnieniu, aby zapobiec ślizganiu się papieru po powierzchni.

4. Szlifierkę należy przesuwając w kolejne miejsca na powierzchni, aby uniknąć przegrzewania i zmiękczenia starej powłoki (farby lub lakieru).

5. Prowadzić szlifierkę szerokimi, zachodzącymi na siebie pociągnięciami, aby uzyskać jednolite wykończenie powierzchni.

6. Gdy podłoże znacznie przebijać się przez starą powłokę lakierniczą, należy przejść na papier ścierny o średniej grubości, aby nie zarysować powierzchni przedmiotu obrabianego. Następnie należy przechodzić na papier ścierny o coraz drobniejszym ziarnie, aż uzyska się pożądaną jakość wykończenia powierzchni.

## CZYSZCZENIE

Otwory wentylacyjne elektronarzędzia muszą być zawsze drożne.

## UTRZYMANIE I KONSERWACJA

Używać tylko i wyłącznie wyposażenia dodatkowego Milwaukee i części zamiennych Milwaukee. Gdyby trzeba było wymienić części, które nie zostały opisane, należy skontaktować się z przedstawicielem serwisu Milwaukee (patrz wykaz adresów punktów usługowych/gwarancyjnych).

Na życzenie można otrzymać rysunek widoku zespołu rozebranego. Przy zamawianiu należy podać numer oraz typ elektronarzędzia umieszczony na tabliczce znamionowej. Zamówienia można dokonać albo u lokalnych przedstawicieli serwisu, albo bezpośrednio w Techtronic Industries GmbH, Max-Eyth-Straße 10, 71364 Winnenden, Germany.

**SYMBOLE**

	Przed uruchomieniem elektronarzędzia zapoznać się uważnie z treścią instrukcji.
	<b>UWAGA! OSTRZEŻENIE NIEBEZPIECZEŃSTWO!</b>
	Przed przystąpieniem do jakichkolwiek prac na elektronarzędziu należy wyjąć wkładkę akumulatorową.
	Nie używać siły.
	Podczas pracy należy zawsze nosić okulary ochronne.
	Nosić odpowiednią maskę przeciwpyłową.
	Wyposażenie dodatkowe dostępne osobno.
	Urządzenia elektryczne, baterie/akumulatory nie mogą być usuwane razem z odpadami pochodzącymi z gospodarstw domowych. Urządzenia elektryczne i akumulatory należy gromadzić oddzielnie i w celu usuwania ich do odpadów zgodnie z wymaganiami środowiska naturalnego oddawać do przedsiębiorstwa utylizacyjnego. Proszę zasięgnąć informacji o centrach recyklingowych i punktach zbiorczych u władz lokalnych lub u wyspecjalizowanego dostawcy.
$n_0$	Prędkość bez obciążenia
V	Napięcie
	Prąd stały
	Europejski Certyfikat Zgodności
	Brytyjski Certyfikat Zgodności
	Ukraiński Certyfikat Zgodności
	Euroazjatycki Certyfikat Zgodności

**MŪSZAKI ADATOK**

	M12 FDSS
Felépítés	Rezgőcsiszoló
Gyártási szám	4914 26 01 XXXXXX MJJJJ
Akkumulátor feszültség	12 V ==
Üresjárat fordulatszám 1/2/3/4	0-8000 / 0-10000 / 0-12000 / 0-14000 min <sup>-1</sup>
Vibrációs kilengés átmérő	1,5 mm
A csiszoló alap méretei.	88,8 x 63,5 mm
Súly a 01/2014 EPTA-eljárás szerint (Li-Ion 2,0 Ah ... 6,0 Ah)	0,76 ... 1,00 kg
Üzemeléshez ajánlott környezeti hőmérséklet	-18 ... +50 °C
Ajánlott akkusomagok	M12B...
Ajánlott töltőkészülékek	C12C; M12C4; M12-18...
<b>Zajinformáció:</b> A közölt értékek megfelelnek az EN 62841 szabványnak. A készülék munkahelyi zajszintje tipikusan:	
Hangnyomás szint / K bizonytalanság	64,69 dB (A) / 3 dB (A)
Hangteljesítmény szint / K bizonytalanság	75,69 dB (A) / 3 dB (A)
<b>Hallásvédő eszköz használata ajánlott!</b>	
<b>Vibráció-információk:</b> Összesített rezgésértékek (három irány vektoriális összeg az EN 62841-nek megfelelően meghatározva. rezegésemisszió érték $a_{hv}$ / K bizonytalanság	4,3 m/s <sup>2</sup> / 1,5 m/s <sup>2</sup>

**FIGYELMEZTETÉS!**

Az adatlapon feltüntetett rezgés- és zajkibocsátási szint mérésére az EN 62841 szabványos vizsgálati módszere alapján került sor, és a kapott értékek az egyes szerszámok összehasonlítására használhatók. Az értékek az expozíció előzetes értékelésében használhatók. A feltüntetett rezgés- és zajkibocsátási szint a szerszám főbb alkalmazásait tükrözi. Mindazonáltal, ha a szerszámot különböző alkalmazásokra, eltérő tartozékokkal használják, illetve a szerszám nincs megfelelően karbantartva, a rezgés- és zajkibocsátási szint eltérő lehet. Ez jelentősen növelheti az expozíciós szintet a teljes munkafolyamat során. A rezgésnek és zajnak való expozíció becslést szintjét is figyelembe kell venni a szerszám kikapcsolásakor, illetve olyankor, ha a szerszám üzemel, de valójában nem történik vele munkavégzés. Ez jelentősen csökkentheti az expozíciós szintet a teljes munkafolyamat során. Ihatározzon meg további biztonsági intézkedéseket, hogy védje a kezelőt a rezgés- és/vagy zajhatásoktól. Ilyen intézkedések pl.: a szerszámok és tartozékok karbantartása, a kéz melegen tartása, munkarend-szervezés.

**FIGYELMEZTETÉS!** Olvasson el minden, a géppel együtt megkapott biztonsági utalást, utasítást, ábrázolást és adatot. Ha nem tartja be a következő előírásokat, akkor ez áramütéshez, tűzhez és/vagy súlyos személyi sérülésekhez vezethet.

**Kérjük a későbbi használatra gondosan őrizze meg ezeket az előírásokat.**

**TOVÁBBI BIZTONSÁGI ÉS MUNKAVÉGZÉSI UTASÍTÁSOK**

A működő készülék munkaterületére nyúlni balesetveszélyes és tilos. A munka közben keletkezett forgácsokat, szilánkokat, törmelékét, stb. csak a készülék teljes leállása után szabad a munkaterületről eltávolítani. Használjon védőfelszerelést! Ha a gépen dolgozik, mindig hordjon védőszemüveget! A munkavégzéskor keletkező por az egészségre ártalmas lehet. Ilyen esetben ajánlatos a megfelelő elszívó berendezés és a védőmaszk használata. A munkaterületen lerakódott port alaposan el kell takarítani.

A készüléket azonnal ki kell kapcsolni, ha szokatlanul erős rezgés vagy más, hibára utaló jelenség lépne fel. Vizsgálja meg a készüléket, hogy mi lehet a helytelen működés oka.

A munkadarabot rögzíteni kell, amennyiben saját súlya nem tartja meg biztonságosan. Rövidzárlat veszélye miatt a szellőzőnyílásokba nem kerülhetnek fémdarabkák.

**FIGYELMEZTETÉS!** A rövidzárlat általi tűz, sérülések vagy termékkárosodások veszélye elkerülésére ne merítse a szerszámot, a cserélhető akkut vagy a töltőkészüléket folyadékba, és gondoskodjon arról, hogy ne hatoljanak folyadékok a készülékekbe és az akkukba. A korrozív hatású vagy vezetőképes folyadékok, mint pl. a sós víz, bizonyos vegyi anyagok, fehéritők vagy fehéritő tartalmú termékek, rövidzárlatot okozhatnak.

Használjon eredeti Milwaukee csiszoló és polírozó gépeket és tartozékokat öntapadó Velcro rögzítéssel.

Az akkumulátort, töltőt nem szabad megbontani és kizárólag száraz helyen szabad tárolni. Nedvességtől óvni kell.

Az M12 elvezetésű rendszerhez tartozó akkumulátorokat kizárólag

a rendszerhez tartozó töltővel tölts fel. Ne használjon más rendszerbe tartozó töltőt.

**RENDELTESSZERŰ HASZNÁLAT**

A csiszológép fa, műanyag, fém, gitttel és festett felület csiszolására használható.

A terméket csak rendeltésszerűen használja.

**FENNMARADÓ VESZÉLYEK**

Szabályos használat esetén sem lehet minden fennmaradó kockázatot kizárni. A használat során a következő veszélyek keletkezhetnek, amelyekre a kezelőnek különösen figyelnie kell:

- Vibráció okozta sérülések. A készüléket az e célra szolgáló markolatoknál fogja meg és korlátozza a munka- és expozíciós időt.
- A zajterhelés halláskárosodást okozhat. Viseljen hallásvédőt és korlátozza az expozíciós időt.
- Szennyrészecskék által okozott szem sérülések. Viseljen mindig védőszemüveget, erős hosszú nadrágot, kesztyűt és ellenálló lábbelit.
- Mérgező porok belélegzése

**LI-ION AKKUKRA VONATKOZÓ ÚTMUTATÁSOK**

**Li-ion akkuk használata**

A hosszabb ideig üzemben kívül lévő akkumulátort használat előtt ismételtelen fel kell tölteni.

50°C feletti hőmérsékletnél csökkenhet az akkumulátor teljesítménye. Kerülni kell a túlzottan meleg helyen vagy napon történő hosszabb idejű tárolást.

A töltő és az akkumulátor csatlakozóit mindig tisztán kell tartani.

Az optimális élettartam érdekében használat után az akkukat teljesen fel kell tölteni.

A lehetőleg hosszú élettartamhoz az akkukat feltöltés után ki kell venni a töltőkészülekből.



Az akku 30 napot meghaladó tárolása esetén:  
Az akkut kb. 27 °C-on, száraz helyen kell tárolni.  
Az akkut kb. 30-50%-os töltöttségi állapotban kell tárolni.  
Az akkut 6 havonta újra fel kell tölteni.

#### Akku-túlterhelés elleni védelem Li-ion akkuknál

Az akku nagyon nagy áramfelhasználása következtében fellépő túlterhelése esetén - pl. rendkívül magas forgatónyomatékok, a fűrő megszorulása, hirtelen leállás vagy rövidzárlat miatt – az elektromos szerszám 5 másodpercen keresztül vibrál, a töltéskijelző villog és az elektromos szerszám magától kikapcsol.

Az újbóli bekapcsoláshoz engedje el a nyomókapcsolót, majd kapcsolja be ismét. Rendkívüli terheléseknél az akku túlságosan felmelegszik. Ebben az esetben a töltéskijelző minden lámpája addig villog, amíg az akku le nem hűl. Ha a töltéskijelző kialszik, utána tovább lehet dolgozni.

#### Lítium-ion akkuk szállítása

A lítium-ion akkuk a veszélyes áruk szállítására vonatkozó törvényi rendelkezések hatálya alá tartoznak.

Az ilyen akkuk szállításának a helyi, országos és nemzetközi előírások és rendelkezések betartása mellett kell történnie.

A fogyasztók minden további nélkül szállíthatják az ilyen akkukat közúton.

A lítium-ion akkuk szállítmányozási vállalatok általi kereskedelmi célú szállítására a veszélyes áruk szállítására vonatkozó rendelkezések érvényesek. A kiszállítás előkészítését és a szállítást kizárólag megfelelő képzettségű személyek végezhetik. A teljes folyamatnak szakmai felügyelet alatt kell történnie.

A következő pontokat kell figyelembe venni akkuk szállításakor:

Biztosítsa, hogy a rövidzárlatok elkerülése érdekében az érintkezők védve és szigetelve legyenek.

Ügyeljen arra, hogy az akkucsomag ne tudjon elcsúszni a csomagoláson belül. Tilos sérült vagy kifolyt akkukat szállítani. További útmutatásokért forduljon szállítványozási vállalatához.

#### A HASZNÁLATRA VONATKOZÓ ÚTMUTATÁSOK

##### Általános csiszolás excentercsiszolókkal

Az excentercsiszolók használata során néhány dolgot figyelembe kell venni:

- A legtöbb csiszológéptől eltérően az excentercsiszolókat a szerszám indítása ELŐTT kell a munkadarabra helyezni. Ha a csiszológépet a munkadarabra helyezés előtt elindítják, akkor a szabadon mozgó tárcsa olyan fordulatszámon felpöröghet, ami karcolást okozhat, amikor véglegesen a munkadarabra helyezik.
- A legtöbb csiszológéptől eltérően az excentercsiszolókat bármely irányban (fa esetében a száliránytól függetlenül) mozgatni lehet a munkadarabon.
- A csiszológépre gyakorolt változó nyomás befolyásolja a forgási sebességét. Finom munkához enyhe nyomás, míg durva munkához mérsékelt nyomás javasolt. Túlzott nyomás esetén a csiszolótárcsa nem tud kellő fordulatszámmal forogni.
- A csiszolótárcsát a munkadarabon tartsa vízszintes helyzetben. A csiszológép megbillentése vagy a tárcsa éleinek használata egyenetlen felületet hozhat létre és csökkentheti a tárcsa élettartamát.
- A csiszológépet egyenletes, széles mozdulatokkal mozgassa a munkadarabon. Egyetlen hely túl hosszú idejű csiszolása bemélyedést és egyenetlen eredményeket okozhat.
- A munkadarabot gyakran ellenőrizze, mivel az excentercsiszoló erőteljesebben működnek, mint az egyszerű csiszológépek.

- Helyezze a csiszológépet a munkadarabra és kapcsolja be.
- A csiszológépet vízszintesen helyezze a munkadarabra, a csiszológépet a munkadarab teljes felületén mozgassa, hosszú pástázó mozdulatokkal.
- A csiszolást durva szemcsésű csiszolópapírral kezdje, és fokozatosan térjen át az egyre finomabb csiszolópapírra, a kívánt felületi minőség eléréséig. Például ha a csiszológépet fán használja, akkor kezdje 80-as finomságú papírral, majd folytassa 120-as finomságúval, végül 180-as finomságúval – és így tovább.

#### Festék vagy lakk eltávolítása

- Több réteg festék vagy lakk eltávolítása során a lehető legtöbb festékolószerezrel vagy lakkeltávolítóval távolítsa el.
- Kaparja le a maradékot gittelőkéssel vagy egyéb kaparó szerszámmal, majd hagyja lehűlni és kiszáradni a felületet, mielőtt ráhelyezi a csiszológépet a munkadarabra.
- Durva szemcsés csiszolópapírt válasszon, hogy elkerülje a csiszolópapír eltömődését.
- Folyamatosan mozgassa a csiszológépet új területekre, hogy elkerülje a régi (festék vagy lakk) réteg felmelegedését és lágyulását.
- Az egyenletes felület érdekében széles, egymást átfedő mozdulatokkal dolgozzon.
- Miután a munkadarab már kezd látszani a régi réteg alatt, váltson közepes finomságú csiszolópapírra, hogy elkerülje a munkadarab felületének karcolását. Fokozatosan váltson finom szemcsésű csiszolópapírra, amíg el nem éri a kívánt felületi minőséget.

#### TISZTÍTÁS

A készülék szellőzőnyílásait mindig tisztán kell tartani.


#### KARBANTARTÁS

Csak Milwaukee tartozékokat és Milwaukee pótalkatrészeket szabad használni. Az olyan elemeket, melyek cseréje nincs ismertetve, cseréltesse ki Milwaukee szervizzel (lásd Garancia/Ügyfélszolgálat címei kiadványt).

Szükség esetén a készülékek robbantott ábráját - a készülék típusa és azonosító száma alapján a területileg illetékes TTI márkaszerviztől vagy közvetlenül a gyártótól (Techtronic Industries GmbH, Max-Eyth-Straße 10, 71364 Winnenden, Germany) lehet kérni.

#### SZIMBÓLUMOK

	Kérjük alaposan olvassa el a tájékoztatót mielőtt a gépet használja.
	FIGYELEM! FIGYELMEZTETÉSI! VESZÉLY!
	Karbantartás, javítás, tisztítás, stb. előtt az akkumulátort ki kell venni a készülékből.
	Ne alkalmazzon erőt.
	Munkavégzés közben ajánlatos védőszemüveget viselni.
	Hordjon e célra alkalmas porvédőmaszkot.
	Azokat a tartozékokat, amelyek gyárilag nincsenek a készülékhez mellékelve, külön lehet megrendelni.
	Az elektromos eszközöket, elemeket/akkukat nem szabad a háztartási hulladékkal együtt ártalmatlanítani. Az elektromos eszközöket és akkukat szelektíven kell gyűjteni, és azokat környezetbarát ártalmatlanítás céljából hulladékhasznosító üzemben kell leadni. A helyi hatóságoknál vagy szakkereskedőjénél tájékozódjon a hulladékudvarokról és gyűjtőhelyekről.

	Üresjárat fordulatszám
	Feszültség
	Egyenáram
	Európai megfelelőségi jelölés
	Egyesült királyságbeli megfelelőségi jelölés
	Ukrán megfelelőségi jelölés
	Eurázsiai megfelelőségi jelölés

TEHNIČNI PODATKI	M12 FDSS
Model	nihajni brusilnik
Proizvodna številka	4914 26 01 XXXXXX MJJJJ
Napetost izmenljivega akumulatorja	12 V =
Število vrtljajev v prostem teku 1/2/3/4	0-8000 / 0-10000 / 0-12000 / 0-14000 min <sup>-1</sup>
Vibracijski krog $\sigma$	1,5 mm
Izmera brusilne plošče	88,8 x 63,5 mm
Teža po EPTA-proceduri 01/2014 (Li-Ion 2,0 Ah ... 6,0 Ah)	0,76 ... 1,00 kg
Priporočena temperatura okolice za obratovanje	-18 ... +50 °C
Priporočeni kompleti akumulatorjev	M12B...
Priporočeni polnilniki	C12C; M12C4; M12-18...
<b>Informacije o hrupnosti:</b> Vrednosti merjenja ugotovljene ustrežno z EN 62841. Raven hrupnosti naprave ovrednotena z A, znaša tipično:	
Nivo zvočnega tlaka / Nevarnost K	64,69 dB (A) / 3 dB (A)
Višina zvočnega tlaka / Nevarnost K	75,69 dB (A) / 3 dB (A)
<b>Nosite zaščito za sluh!</b>	
<b>Informacije o vibracijah:</b> Skupna vibracijska vrednost (Vektorska vsota treh smerdoločena ustrežno EN 62841.	
Vibracijska vrednost emisij a <sub>v</sub> / Nevarnost K	4,3 m/s <sup>2</sup> / 1,5 m/s <sup>2</sup>

## ⚠ OPOZORILO!

Raven vibracij in hrupa, navedena v tem informativnem listu, je bila izmerjena v skladu s standardiziranim preskusom iz EN 62841 in jo je mogoče uporabljati za primerjavo orodij med seboj. Mogoče jo je tudi uporabiti za predhodno oceno izpostavljenosti.

Navedena raven vibracij in hrupa predstavlja glavno uporabo orodja. Če pa se orodje uporablja za različne namene, z različnimi dodatki ali slabo vzdrževano, se lahko vibracije in hrup razlikujejo. To lahko znatno poveča raven izpostavljenosti v celotnem delovnem obdobju.

Pri oceni ravni izpostavljenosti vibracijam in hrupu je treba upoštevati tudi čas, ko je orodje izklopljeno ali ko teče, vendar dejansko ne opravlja dela. To lahko bistveno zmanjša raven izpostavljenosti v celotnem delovnem obdobju.

Iugotovite dodatne varnostne ukrepe za zaščito upravljalca pred učinki vibracij in/ali hrupa, kot so: vzdrževanje orodja in dodatkov, tople roke, organizacija delovnih prahov.

**⚠ OPOZORILO!** Preberite vse varnostne napotke, navodila, prikaze in podatke, ki ste jih prejeli skupaj z napravo. Zaradi nespoštovanja spodaj navedenih navodil lahko pride do električnega udara, požara in/ali težkih telesnih poškodb.

**Vsa opozorila in napotila shranite, ker jih boste v prihodnje še potrebovali.**

## NADALJNA VARNOSTNA IN DELOVNA OPOZORILA

Ne segajte na področje nevarnosti tekočega stroja. Trske ali iveri se pri tekočem stroju ne smejo odstranjevati. Uporabite zaščitno opremo. Pri delu s strojem vedno nosite zaščitna očala. Prah, ki nastaja pri delu, je pogosto zdravju škodljiv in naj ne zaide v telo. Uporabljajte odsesavanje prahu in dodatno nosite primerno masko za zaščito proti prahu. Prah, ki se usede, temeljito očistite, npr. posesajate.

Napravo takoj izklopite, če nastopijo znatne vibracije ali če ugotovite drugačne pomanjkljivosti. Preverite stroj, da ugotovite vzrok.

Kos, ki ga želite obdelovati, mora biti trdno vpet, če ne drži že zaradi lastne teže. Zaradi nevarnosti kratkega stika kovinski deli ne smejo zaiti v špranje za prežračevanje.

**OPOZORILO!** V izogib, s kratkim stikom povzročene nevarnosti požara, poškodb ali okvar na proizvodu, orodja, izmenljivega akumulatorja ali polnilne naprave ne potaplajte v tekočine in poskrbite, da ne bo prihajalo do vdora tekočin v naprave in akumulatorje. Korozivne ali prevodne tekočine, kot so slana voda, določene kemikalije in belila ali proizvodi, ki le ta vsebujejo, lahko povzročijo kratek stik.

Uporabljajte samo originalna Milwaukee orodja za brušenje in poliranje s samodržečim sprijemalnim zapiralom.

Izmenljivih akumulatorjev in polnilnih aparatov ne odpirajte in jih hranite samo v suhih prostorih. Zaščitite jih pred mokroto.

Izmenljive akumulatorje sistema M12 polnite samo s polnilnimi aparati sistema M12. Ne polnite nobenih akumulatorjev iz drugih sistemov.

## UPORABA V SKLADU Z NAMEDNOSTJO

Brusilnik se lahko uporablja za brušenje lesa, plastike, kovine, polnila in barvanih površin.

Izdelka ne uporabljajte na noben drugačen način od navedenega za predvideno uporabo.

## PREOSTALE NEVARNOSTI

Tudi pri pravilni uporabi vseh pretalih tveganj ni mogoče izključiti. Pri uporabi lahko pride do sledečih nevarnosti, na katere naj bo uporabnik zmeraj pozoren:

- V sled vibracij povzročene poškodbe. Napravo držite za temu namenu predvidene ročaje in omejite čas dela in izpostavljenosti.
- Obremenitev s hrupom lahko privede do poškodb sluha. Nosite zaščito sluha in omejite dovo izpostavljenosti.
- V sled delcev nečistoč povzročene poškodbe oči. Nosite zmeraj zaščitna očala, močne dolge hlače, rokavice in močno obutev.
- Vdihanje nevarnih prahov.

## NAPOTKI ZA LITIJ-IONSKE AKUMULATORJE

### Uporaba litij-ionskih akumulatorjev

Izmenljive akumulatorje, ki jih daljši čas niste uporabljali, pred uporabo naknadno napolnite.

Temperatura nad 50°C zmanjšuje zmogljivost izmenljivega akumulatorja. Izogibajte se daljšemu segrevanju zaradi sončnih žarkov ali gretja.

Pazite, da ostanete priključni kontakti na polnilnem aparatu in izmenljivem akumulatorju čisti.

za optimalno življenjsko dobo je potrebno akumulatorje po uporabi do konca napolniti.

Za čim daljšo življenjsko dobo naj se akumulatorji po napolnitvi vzamejo ven iz naprave za polnjenje.

Pri skladiščenju akumulatorjev dalj kot 30 dni:

Akumulator skladiščiti pri 27°C in na suhem.

Akumulator skladiščiti pri 30%-50% stanja polnjenja.

Akumulator spet napolniti vsakih 6 mesecev.

## Preobremenitvena zaščita litij-ionskih akumulatorjev

V primeru preobremenitve akumulatorja zaradi visoke porabe toka, npr. ekstremno visokih vrtilnih momentov, nenadne zaustavitve ali kratkega stika, električno orodje 5 sekund vibrira, prikazovalnik polnjenja utripa, električno orodje pa se samodejno izklopi.

Za ponoven vklop izpusite pritisno stikalo in nato znova vklopite. Pod ekstremnimi obremenitvami se akumulator premočno segreva. V tem primeru utripajo vse lučke prikazovalnika polnjenja dokler se akumulator ne ohladi. Za tem, ko prikazovalnik polnjenja ugasne lahko z delom nadaljujemo.

## Transport litij-ionskih akumulatorjev

Litij-ionski akumulatorji so podvrženi zakonskim določbam transporta nevarnih snovi.

Transport teh akumulatorjev se mora izvajati upoštevajoč lokalne, nacionalne in mednarodne predpise in določbe.

Potrošniki lahko te akumulatorje še nadalje transportirajo po cesti.

Komerčni transport litij-ionskih akumulatorjev s strani špediterskih podjetij je potrjen določbam transporta nevarnih snovi. Priprava odpreme in transporta se lahko vrši izključno s strani ustrežno izšolanih oseb. Celoten proces je potrebno strokovno spremljati.

Pri transportu akumulatorjev je potrebno upoštevati sledeče točke:

V izogib kratkim stikom zagotovite, da bodo kontakti zaščiteni in izolirani.

Bodite pozorni na to, da paket akumulatorja v notranjosti embalaže ne bo mogel zdrsniti. Poškodovanih ali iztekajočih akumulatorjev ni dovoljeno transportirati. Za nadaljnja navodila se obrnite na vaše špeditersko podjetje.

## PRACOVNE POKYNY

### Splošno brušenje z naključnim orbitalnim brusilnikom

Pri uporabi naključnega orbitalnega brusilnika je treba upoštevati nekaj stvari:

- Za razliko od večine brusilnikov je treba naključni orbitalni brusilnik postaviti na obdelovanca PRED zagonom orodja. Če brusilnik zažene, preden ga položite na obdelovanca, se lahko prosto lebdeča blazinica vrti s hitrostjo, ki lahko povzroči praske, ko je končno nameščena na obdelovanca.
- Za razliko od večine brusilnikov lahko naključni orbitalni brusilnik po obdelovancu premikate v vse smeri (v primeru lesa, ne glede na smer zrna).
- Različen uporabljen pritisk na brusilnik bo vplival na njegovo hitrost vrtenja. Za fino delo je priporočljiv lahek pritisk, za grobo delo pa zmeren. Prevelik pritisk ne omogoča, da se blazinica dovolj vrte.
- Poskrbite, da bo brusna blazinica ravna na obdelovancu. Nagibanje brusilnika ali uporaba robov blazinice lahko povzroči neenakomeren zaključek in skrajša življenjsko dobo blazinice.
- Brusilnik po obdelovancu premikajte s širokimi enakomernimi potezami. Predolgo brušenje na enem mestu lahko povzroči vdolbine in neenakomerne rezultate.
- Redno preverjajte obdelovanca, naključni orbitalni brusilnik deluje bolj agresivno kot preprosti orbitalni brusilnik.

1. Namestite brusilnik na obdelovanca in vklopite brusilnik.

2. Brusni list mora biti ravno ob obdelovancu, brusilnik pa premikajte po obdelovancu in uporabljajte dolge, široke poteze.

3. Brušenje začnite z grobim brusnim papirjem in postopoma uporabljajte brusni papir z vse bolj drobnimi zrni, dokler ne dosežete želenega zaključka. Ko na primer uporabljate brusilnik za les, začnite z granulacijo 80, nato z granulacijo 120, nato z granulacijo 180 in tako naprej.

### Odstranjevanje barve ali laka

1. Ko odstranjujete več plasti barve ali laka, jih čim več odstranjujte s topilom barve ali odstranjevalcem laka.

2. Ostanke postrgajte z nožem za kitanje ali drugim orodjem za strganje in pustite, da se površina ohladi in posuši, preden brusilnik namestite na obdelovanca.

3. Izberite brusni list z grobimi zrni, da preprečite zamašitev brusnega lista.

4. Pustite, da se brusilnik premika po novih območjih, da preprečite segrevanje in zmeščanje starega premaza (barve ali laka).

5. Delajte s širokimi, prekrivajočimi se gibi, da ustvarite enoten zaključek.

6. Ko se obdelovanec začne prikazovati skozi stari premaz, preklopite na list brusnega papirja srednje zmatosti, da preprečite praskanje površine obdelovanca. Postopoma preklopite na drobnozmatni brusilni papir, dokler ne dosežete želenega zaključka.

## ČIŠČENJE

Pazite na to, da so prežračevalne reže stroja vedno čiste.

## VZDRŽEVANJE

Uporabljajte samo Milwaukee pribor in Milwaukee nadomestne dele. Poskrbite, da sestavne dele, katerih zamenjava ni opisana, zamenjajo v Milwaukee servisni službi (upoštevajte brošuro Garancija aslovi servisnih služb).

Po potrebi se lahko pri vaši servisni službi ali direktno pri Techtronic Industries GmbH naroči eksplozijska risba naprave ob navedbi tipa stroja in številke s tipske ploščice Techtronic Industries GmbH, Max-Eyth-Straße 10, 71364 Winnenden, Germany.

## SIMBOLI

	Prosimo, da pred uporabo pozorno preberete to navodilo za uporabo.
	POZOR! OPOZORILO! NEVARNO!
	Pred vsemi deli na stroji odstranite izmenljivi akumulator..
	Brez uporabe sile.
	Pri delu s strojem vedno nosite zaščitna očala.
	Nosite ustrezno masko proti prahu.
	Oprema – ni vsebovana v obsegu dobave, priporočeno dopolnilo iz programa opreme.
	Električnih naprav, baterij/akumulatorjev ni dovoljeno odstranjevati skupaj z gospodinjskimi odpadki. Električne naprave in akumulatorje je potrebno zbirati ločeno in za okolju prijazno odstranitev, oddati podjetju za reciklažo. Pri krajevnem uradu ali vašem strokovnem prodajalcu se pozanimajte glede reciklažnih dvorišč in zbirnih mest.
$n_0$	Število vrtljajev v prostem teku
$V$	Napetost
	Enosmerni tok
	Evropska oznaka za združljivost
	Britanska oznaka za združljivost
	Ukrajinska oznaka za združljivost
001	
	Evrazijska oznaka za združljivost

## TEHNIČKI PODACI

	M12 FDSS
Vrsta izvedbe	Vibracijski bruslač
Broj proizvodnje	4914 26 01 XXXXXX MJJJJ
Napon baterije za zamjenu	12 V ==
Broj okretaja praznog hoda 1/2/3/4	0-8000 / 0-10000 / 0-12000 / 0-14000 min <sup>-1</sup>
Krug njihanja- $\emptyset$	1,5 mm
Dimenzija brusne ploče	88,8 x 63,5 mm
Težina po EPTA-proceduri 01/2014 (Li-Ion 2,0 Ah ... 6,0 Ah)	0,76 ... 1,00 kg
Preporučena temperatura okoline za pogon	-18 ... +50 °C
Preporučeni akumulatorski paket	M12B...
Preporučeni punjači	C12C; M12C4; M12-18...
<b>Informacije o buci:</b> Mjerne vrijednosti utvrđene odgovarajuće EN 62841. A-ocijenjeni nivo buke aparata iznosi tipično:	
Nivo pritiska zvuka / Nesigurnost K	64,69 dB (A) / 3 dB (A)
Nivo učinka zvuka / Nesigurnost K	75,69 dB (A) / 3 dB (A)
<b>Nositi zaštitu sluha!</b>	
<b>Informacije o vibracijama:</b> Ukupne vrijednosti vibracije (Vektor suma tri smjersu odmjerene odgovarajuće EN 62841	
Vrijednost emisije vibracije $a_h$ / Nesigurnost K	4,3 m/s <sup>2</sup> / 1,5 m/s <sup>2</sup>

## UPOZORENIE!

Razine emisije vibracija i buke navedena u ovom informacijskom listu izmjerene su u skladu sa standardiziranim ispitom koji propisuje EN 62841 i mogu se upotrebljavati za međusobnu usporedbu alata. Također se mogu upotrebljavati za prethodnu procjenu izloženosti. Navedene razine emisija vibracija i buke predstavljaju glavnu svrhu primjene alata. Međutim, ako se alat upotrebljava u druge svrhe, s drugim priborom ili se ne održava dovoljno, emisije vibracija i buke mogu biti drukčije. To može značajno povećati razinu izloženosti tijekom cjelokupna razdoblja rada.

Procjena razine izloženosti vibracijama i buci također bi u obzir trebala uzeti razdoblja tijekom kojih je alat isključen ili kada je uključen, no njime se ne obavlja nikakav rad. Time se značajno može smanjiti razina izloženosti tijekom cjelokupna razdoblja rada.

I Utvrdite dodatne sigurnosne mjere kako biste zaštitili rukovatelja od ovih učinaka vibracija i/ili buke, primjerice: održavanje alata i pribora, osiguravanje da ruke budu tople, organizacija obrazaca rada.

**UPOZORENIE!** Pročitajte sve sigurnosne upute, napomene, prikaze i podatke koje dobijete uz uređaj. Ako se ne bi pridržavali slijedećih uputa, moglo bi doći do električnog udara, požara i/ili teških ozljeda.

**Sačuvajte sve napomene o sigurnosti i upute za buduću primjenu.**

## OSTALE SIGURNOSNE I RADNE UPUTE

Ne sezati u područje opasnosti radećeg stroja. Piljevina ili iverje se za vrijeme rada stroja ne smiju odstranjivati. Upotrebljavati zaštitnu opremu. Kod radova sa strojem uvijek nositi zaštitne naočale. Prašina koja nastaje kod rada je često štetna po zdravlje i ne bi smjela dospjeti u tijelo. Primijeniti usisavanje prašine i dodatno nositi prikladnu zaštitnu masku protiv prašine. Sleglu prašinu temeljito odstraniti, npr. usisati.

Aparat odmah isključiti, ako dođe do bitnih titranja, ili ako se utvrde drugi nedostaci. Provjerite stroj, kako bi utvrdili uzrok.

Radni predmet koji se obrađuje mora biti čvrsto stegnut, ako se ne drži svojom osobnom težinom. Zbog opasnosti od kratkog spoja metalni dijelovi ne smiju dospjeti u otvore za prozračivanje.

**UPOZORENIE!** Zbog izbjegavanja opasnosti od požara jednim kratkim spojem, opasnosti od ozljeda ili oštećenja proizvoda, alat, izmjenjivi akumulator ili napravu za punjenje ne uronjavati u tekućine i pobrinite se za to, da u uređaje ili akumulator ne prodiru nikakve tekućine. Korozirajuće ili vodljive tekućine kao slana voda, određene kemikalije i sredstva za bijeljenje ili proozvodi koji sadrže sredstva bijeljenja, mogu prouzročiti kratak spoj.

Primijeniti samo originalne Milwaukee alate za brušenje i poliranje sa samodržećim čičkovim zatvaračem.

Baterije za zamjenu i uređaje za punjenje ne otvarati i čuvati ih samo u suhim prostorijama. Čuvati protiv vlage.

Baterije sistema M12 puniti samo sa uređajem za punjenje sistema M12. Ne puniti baterije iz drugih sistema.

## PROPIŠNA UPOTREBA

Brusilica se može upotrebljavati za brušenje drva, plastike, metala, punila i obojenih površina.

Proizvod nemojte koristiti u svrhe za koje nisu namijenjeni.

## PREOSTALE OPASNOSTI

I kod pravilne uprabe se ne mogu isključiti svi ostaci rizika. Kod uporabe mogu nastati slijedeće opasnosti, na koje poslužioc mora obratiti posebnu pažnju:

- Vibracijama prouzročene ozljede. Uređaj držite na za to predviđenim drškama i ograničite radno vrijeme i vrijeme ekspozicije.
- Opterećenje bukom može dovesti do oštećenja sluha. Nosite zaštitu sluha i ograničite trajanje ekspozicije.
- Česticama prijavštine prouzročene ozljede očiju. Nosite uvijek zaštitne naočale, zatvorene duge hlače, rukavice i zatvorene cipele.
- Udisanje otrovnih prašina.

## UPUTE ZA LI-ION-AKUMULATORE

### Korištenje Li-Ion-akumulatora

Baterije koje duže vremena nisu korištene, prije upotrebe napuniti.

Temperatura od preko 50°C smanjuje učinak baterija. Duže zagrijavanje od strane sunca ili grijanja izbjeci.

Priključne kontakte na uređaju za punjenje i baterijama držati čistima.

Za optimalni vijek trajanja se akumulatori poslije upotrebe moraju sasvim napuniti.

Za što moguće duži vijek trajanja, akumulatori se nakon punjenja moraju odstraniti iz punjača.

Kod skladištenja akumulatora duže od 30 dana: Akumulator skladištiti na suhom kod ca. 27°C. Akumulator skladištiti kod ca. 30%-50% stanja punjenja. Akumulator ponovno napuniti svakih 6 mjeseci.

## Zaštita od preopterećenja akumulatora kod Li-Ion-akumulatora

Kod preopterećenja akumulatora kroz vrlo visoku potrošnju struje, npr. ekstremno visoki zakretni momenti, električni alat vibrira za vrijeme od 5 sekundi, pokazivač punjenja treperi i električni alat se samostalno isključuje.

Za ponovno uključivanje ispuštiti okidač sklopke i zatim ponovno uključiti. Pod ekstremnim opterećenjima se akumulator prejako zagrije. U tome slučaju trepere sve lampice pokazivača punjenja, sve dok se akumulator ne ohladi. Poslije gašenja pokazivača punjenja se može nastaviti sa radom.

## Transport litijskih ionskih baterija

Litijske-ionske baterije spadaju pod zakonske odredbe u svezi transporta opasne robe.

Prijevoz ovih baterija mora uslijediti uz poštivanje lokalnih, nacionalnih i internacionalnih propisa i odredaba.

Korisnici mogu bez ustručavanja ove baterije transportirati po cestama.

Komercijalni transport litijsko-ionskih baterija od strane transportnih poduzeća spada pod odredbe o transportu opasne robe. Otpremničke pripreme i transport smiju izvoditi isključivo odgovarajuće školovane osobe. Kompletni proces se mora pratiti na stručan način.

Kod transporta baterija se moraju poštivati slijedeće točke:

Uvjerite se da su kontakti zaštićeni i izolirani kako bi se izbjegli kratki spojevi.

Pazite na to, da blok baterija unutar pakiranja ne može proklizavati. Oštećene ili iscurjele baterije se ne smiju transportirati. U svezi ostalih uputa obratite se vašem prijevoznom poduzeću.

## RADNE UPUTE

### Općenito brušenje slučajno orbitalnim brusilicama

Pri upotrebi slučajno orbitalnih brusilica potrebno je u obzir uzeti određene okolnosti:

- Za razliku od većine brusilica, slučajno orbitalne brusilice moraju se postaviti na obradak PRIJE pokretanja alata. Ako se brusilica pokrene prije no što se postavi na obradak, slobodno pokretljivi disk može se okretati pri brzini koja može uzrokovati ogrebotine kada se naposljetku postavi na obradak.
- Za razliku od većine brusilica, slučajno orbitalne brusilice mogu se pomicati duž obratka u bilo kojem smjeru (u slučaju drva bez obzira na smjer godova).
- Promjene u pogledu primijenjenog tlaka brusilice utjecat će na brzinu njezina rotiranja. Lagan tlak preporučuje se za precizne radove, a umjeren tlak za grube radove. Prekomjeren tlak onemogućava dovoljnu rotaciju diska.
- Držite brusni disk ravno na obratku. Naginjanjem brusilice ili upotrebom rubova diska može dovesti do neravnomjerne završne obrade i skratiti vijek trajanja diska.
- Pomičite brusilicu širokim, ravnomjernim potezima duž obratka. Predugo brušenje na jednom mjestu može dovesti do izdubljivanja i neravnomjernih rezultata.
- Redovito provjeravajte obradak jer slučajno orbitalne brusilice imaju agresivniji učinak od jednostavnih orbitalnih brusilica.

1. Postavite brusilicu na obradak i uključite brusilicu.
2. Držite brusni list ravno na obratku te pomičite brusilicu duž obratka dugačkim, kružnim pokretima.
3. Počnite brusiti brusnim papirom s grubom granulacijom i postupno upotrebljavajte brusne papire s finijom granulacijom dok ne postignete željeni rezultat. Na primjer, tijekom upotrebe brusilice na drvu, započnite s granulacijom 80, nakon nje s granulacijom 120, zatim s granulacijom 180 itd.

## Uklanjanje boje ili laka

1. Tijekom uklanjanja više slojeva boje ili laka uklonite što veću količinu otapalom za boje ili sredstvom za uklanjanje laka.
2. Sastružite ostatke lopaticom ili drugim alatom za struganje te pustite površinu da se ohladi i osuši prije upotrebe brusilice na obratku.
3. Koristite se listom brusnog papira s grubom granulacijom da biste spriječili začepljivanje brusnog papira.
4. Pomičite brusilicu duž novih područja da biste spriječili zagrijavanje ili omekšavanje starog premaza (boje ili laka).
5. Pomičite se širokim, preklapajućim pokretima da biste osigurali ravnomjeren rezultat.
6. Dok se obradak počinje nazirati kroz stari premaz, prijedite na brusni papir sa srednjom granulacijom da biste izbjegli grebanje površine obratka. Postupno prelazite na brusni papir s finom granulacijom dok ne postignete željeni rezultat.

## ČIŠĆENJE

Prореze za prozračivanje stroja uvijek držati čistima.






## ODRŽAVANJE

Primijeniti samo Milwaukee opremu i Milwaukee rezervne dijelove. Sastavne dijelove, čija zamjena nije opisana, dati zamijeniti kod jedne od Milwaukee servisnih službi (poštivati brošuru Garancija/ Adrese servisa).

Po potrebi se može zatražiti crtež eksplozije aparata uz davanje podataka o tipu stroja i desetoznamenastog broja na pločici snage kod Vaše servisne službe ili direktno kod Techtronic Industries GmbH, Max-Eyth-Straße 10, 71364 Winnenden, Germany.

## SIMBOLI

	Molimo da pažljivo pročitate uputu o upotrebi prije puštanja u rad.
	PAŽNJA! UPOZORENIE! OPASNOST!
	Prije svih radova na stroju izvaditi bateriju za zamjenu..
	Ne upotrebljavati silu.
	Kod radova na stroju uvijek nositi zaštitne naočale.
	Nositi prikladnu zaštitnu masku protiv prašine.
	Oprema - u opsegu isporuke nije sadržana, preporučena dopuna iz promgrama opreme.
	Elektrouređaji , baterije/akumulatori se ne smiju zbrinjavati skupa sa kućnim smećem. Električni uređaji i akumulatori se moraju skupljati odvojeno i predati na zbrinjavanje primjereno okolišu jednom od pogona za iskorišćavanje. Raspitajte se kod mjesnih vlasti ili kod stručnog trgovca u svezi gospodarstva za recikliranje i mjesta skupljanja.
<b>n<sub>0</sub></b>	Broj okretaja praznog hoda
<b>V</b>	Napon

	Istosmjerna struja
	Europski znak suglasnosti
	Britanski znak suglasnosti
	Ukrajinski znak suglasnosti
	Euroazijski znak suglasnosti



**SIMBOLI**

	Pirms sākt lietot instrumentu, lūdzu, izlasiet lietošanas pamācību.
	<b>UZMANĪBU! BĪSTAMI!</b>
	Pirms mašīnai veikt jebkāda veida apkopes darbus, ir jāizņem arī akumulātors.
	Nepielietot spēku
	Strādājot ar mašīnu, vienmēr jānēsā aizsargbrilles.
	Jānēsā piemērota maska, kas pasargā no putekļiem.
	Piederumi - standartaprīkojumā neietvertās, bet ieteicamās papildus komplektācijas detaļas no piederumu programmas.
	Elektriskus aparātus, baterijas/akumulatorus nedrīkst izmantot kopā ar mājāsaimniecības atkritumiem. Elektriski aparāti un akumulatori ir jāsavāc atsevišķi un jānodod atkritumu pārstrādes uzņēmumā videi saudzīgigai utilizācijai. Jautājiet vietējā iestādē vai savam specializētajam tirgotājam, kur atrodas atkritumu pārstrādes uzņēmumi vai savākšanas punkti.
$n_0$	Tukšgaitas apgriezumu skaits
$v$	Voltāža
	Līdzstrāva
	Eiropas atbilstības zīme
	Lielbritānijas atbilstības zīme
	Ukrainas atbilstības zīme
	Eirāzijas atbilstības zīme

TECHNINIAI DUOMENYS	M12 FDSS
Konstrukcija	vibracinis šlifuoklis
Produkta numeris	4914 26 01 XXXXXX MJJJJ
Keičiama akumulatora ietaupa	12 V =
Sūki skaičius laisva eiga 1/2/3/4	0-8000 / 0-10000 / 0-12000 / 0-14000 min <sup>-1</sup>
Judesio apskritimo $\emptyset$	1,5 mm
Šlifavimo plokštės matmenys	88,8 x 63,5 mm
Prietaiso svoris ivertintas pagal EPTA 01/2014 tyrimų metodiką (Li-Ion 2,0 Ah ... 6,0 Ah)	0,76 ... 1,00 kg
Rekomenduojama aplinkos temperatūra eksploatuojant	-18 ... +50 °C
Rekomenduojami akumulatoriai	M12B...
Rekomenduojami įkrovikliai	C12C; M12C4; M12-18...
<b>Informacija apie keliamą triukšmą:</b> Vertės matuotos pagal EN 62841. Įvertintas A įrenginio keliamo triukšmo lygis dažniausiai sudaro:	
Garso slėgio lygis / Paklaida K	64,69 dB (A) / 3 dB (A)
Garso galios lygis / Paklaida K	75,69 dB (A) / 3 dB (A)
<b>Nešioti klausos apsaugines priemones!</b>	
<b>Informacija apie vibraciją:</b> Bendroji svyravimų reikšmė (trių krypčių vektorių suma), nustatyta remiantis EN 62841.	
Vibravimų emisijos reikšmė $a_w$ / Paklaida K	4,3 m/s <sup>2</sup> / 1,5 m/s <sup>2</sup>

**⚠ DĖMESIO!**

Šiame vadove nurodytos bendrosios vibracijos ir triukšmo emisijos vertės nustatytos pagal standartinius bandymo metodus pagal EN 62841, todėl gali būti taikomos lyginant vieną įrankį su kitu. Gali būti naudojama preliminariam poveikio įvertinimui.

Nurodytos bendrosios vibracijos ir triukšmo emisijos vertės atitinka įrankio taikymą. Jei įrankis naudojamas kitokiais tikslais, kartu su kitokiais priedais ar netinkamai prižiūrimas, bendrosios vibracijos ir triukšmo emisijos vertės gali skirtis. Tai gali žymiai padidinti poveikio lygį viso darbo metu.

Apskaičiuojant bendrosios vibracijos ir triukšmo emisijos vertes reikėtų atsižvelgti į laikotarpį, kai prietaisas yra išjungtas arba įjungtas, bet nėra naudojamas. Tai gali žymiai sumažinti poveikio lygį viso darbo metu.

Į Tam, kad naudotojas būtų apsaugotas nuo vibracijos ir (arba) triukšmo poveikio, reikia nustatyti papildomus saugos reikalavimus, pavyzdžiui: tinkamai prižiūrėti prietaisą ir jo priedus, laikyti rankas šiltais, organizuoti darbo modelius.

**⚠ DĖMESIO!** Perskaitykite visas saugos nuorodas, instrukcijas, iliustracijas ir duomenis, kuriuos gaunate su prietaisu. Jei nepaisysite toliau pateiktų nuorodų, gali kilti elektros smūgio, gaisro ir (arba) sunkių sužalojimų pavojus.

**Išsaugokite šias saugos nuorodas ir reikalavimus, kad ir ateityje galėtumėte jais pasinaudoti.**

**KITI SAUGUMO IR DARBO NURODYMAI**

Nekiškite rankų į veikiančio įrenginio pavojaus zoną. Draudžiama išiminti drožles ar nuopjovas, įrenginiui veikiant. Dėvėkite apsaugines priemones. Dirbdami su mašina visada užsidėkite apsauginius akinius. Darbo metu kylančios dulksės dažnai kenkia sveikatai, todėl turėtų nepatekti į organizmą. Naudokite dulkių nusiurbimą, papildomai nešiokite tinkamą apsaugos nuo dulkių kaukę. Kruopščiai pašalinkite, pvz. nusiurbkite, nusėdusias dulkes.

Prietaisą tuoj pat išjunkite, jei atsiranda stiprus virpesiai arba kiti trūkumai. Patikrinkite įrenginį ir nustatykite priežastį.

Apdorojama detalė, jei ji nesilaiko savo svoriu, visada turi būti įtvirtinta. Saugokite, kad metalinės dalys nepatektų į vėdinimo angas – trumpojo jungimo pavojus.

**DĖMESIO!** Siekdami išvengti trumpojo jungimo sukeliama gaisro pavojaus, sužalojimų arba produkto pažeidimų, neikiškite įrankio, keičiamo akumulatoriaus arba įkroviklio į skysčius ir pasirūpinkite, kad į prietaisus arba akumulatorius nepatektų jokių skysčių. Koroziją sukeliantys arba laidūs skysčiai, pvz., sūrus vanduo, tam tikri chemikalai ir balikliai arba produktai, kurių sudėtyje yra baliklių, gali sukelti trumpąjį jungimą.

Naudokite tik originalius Milwaukee šlifavimo ir poliravimo įrankius su savaiminio sukibimo segtukais.

Keičiamų akumuliatorių ir įkroviklių nelaikykite atvirai. Laikykite tik sausoje vietoje. Saugokite nuo drėgmės.

Keičiamus M12 sistemos akumulatorius kraukite tik „M12“ sistemos įkrovikliais. Nekraukite kitų sistemų akumuliatorių.

**NAUDOJIMAS PAGAL PASKIRTĮ**

Šlifuoklis gali būti naudojamas medienos, plastiko, metalo, glaistyto ir dažytų paviršių šlifavimui.

Nenaudokite gaminio kitaip, nei nurodytas naudojimas pagal paskirtį.

**KITI PAVOJAI**

Net ir tinkamai naudojant įrenginį neįmanoma apsaugoti nuo visų liekamųjų rizikų. Naudojant įrenginį gali kilti šie pavojai, į kuriuos naudotojui ypač svarbu atkreipti dėmesį:

- Vibracijos sukelti sužalojimai. Įrenginį laikykite už tam skirtų rankenų ir apribokite darbo bei ekspozicijos trukmę.
- Dėl triukšmo gali būti pažeista klausa. Naudokite klausos organų apsaugos priemones ir apribokite ekspozicijos trukmę.
- Nešvarumų dalelių sukelti akių sužalojimai. Visuomet būkite su apsauginiais akiniais, mūvėkite tvirtas ilgas kelnes, pirštines ir avėkite tvirtus apsauginius batus.
- Nuodingų dulkių įkvėpimas.

**NURODYMAI DĖL LIČIO JONŲ AKUMULIATORIAUS**

**Ličio jonų akumulatoriaus naudojimas**

Ilgesnį laiką nenaudotus keičiamus akumulatorius prieš naudojimą įkraukite.

Aukštesnė nei 50°C temperatūra mažina keičiamų akumuliatorių galią. Venkite ilgesnio saulės ar šilumos šaltinių poveikio. Įkroviklio ir keičiamo akumulatoriaus jungiamieji kontaktai visada turi būti švarūs.

Kad prietaisas kuo ilgiau veiktų, pasinaudoję juo, iki galo įkraukite akumulatorius.

Siekiant užtikrinti kuo ilgesnį baterijos tarnavimo laiką, reikėtų ją po atlikto įkrovimo iškart išimti iš įkroviklio.

Bateriją laikant ilgiau nei 30 dienų, būtina atkreipti dėmesį į šias nuorodas:

bateriją laikyti sausoje aplinkoje, esant apie 27 °C temperatūrai.

Baterijos įkrovimo lygis turi būti nuo 30% iki 50%.

Baterija pakartotinai turi būti įkraunama kas 6 mėnesius.

### Ličio jonų akumulatoriaus apsauga nuo perkrovos

Esant akumulatoriaus perkrovai dėl pernelyg didelio srovės suvartojimo, pvz.: itin didelių apsučių, staigaus sustabdymo ar trumpojo jungimo, elektrinis įrankis vibruoja 5 sekundes, signalinis įkrovos rodmuo pradeda mirksėti ir elektrinis įrankis automatiškai išsijungia.

Norint įrankį pakartotinai įjungti, reikia atleisti jungiklį ir vėl jį įjungti. Esant ekstremalioms apkrovoms akumulatorius per stipriai įkaista. Tokiu atveju visos įkrovos lemputės mirksi taip ilgai, kol akumulatorius atvėsta. Užgesus įkrovos rodmėnims įrankiu galima naudotis toliau.

### Ličio jonų akumuliatorių pervežimas

Ličio jonų akumuliatoriams taikomos įstatyminės nuostatos dėl pavojingų krovinių pervežimų.

Šiuos akumuliatorių pervežti būtina laikantis vietinių, nacionalinių ir tarptautinių direktyvų ir nuostatų.

Naudotojai šiuos akumuliatorių gali naudoti savo transporte be jokių kitų sąlygų.

Už komercinį ličio jonų akumuliatorių pervežimą atsako ekspedicijos įmonė pagal nuostatas dėl pavojingų krovinių pervežimo.

Pasiruošimo išsiųsti ir pervežimo darbus gali atlikti tik atitinkamai išmokyti asmenys. Visas procesas privalo būti prižiūrimas.

Pervežant akumuliatorių būtina laikytis šių punktų:

Siekiant išvengti trumpųjų jungimų, įsitikinkite, kad kontaktai yra apsaugoti ir izoliuoti.

Atkreipkite dėmesį, kad akumuliatorių pakuotės viduje neslidinėtų. Draudžiama pervežti pažeistus arba tekancius akumuliatorių. Dėl detalesnių nurodymų kreipkitės į savo ekspedicijos įmonę.

### DARBO NUORODOS

#### Bendras šlifavimas ekscentriniais šlifuočiais

Naudojant ekscentrinis šlifuočius, reikia atsiminti keletą dalykų:

- Skirtingai nuo daugelio šlifuočių, ekscentriniai šlifuočiai turi būti uždėti ant ruošinio PRIEŠ paleidžiant prietaisą. Jei šlifuočlis paleidžiamas prieš jį uždėdam ant ruošinio, laisvai judantis padas gali sukelti tokiu greičiu, kuris gali subraižyti ruošinio paviršių, kol jis galiausiai uždedamas ant ruošinio.
  - Skirtingai nuo daugumos šlifuočių, ekscentriniais šlifuočiais galima judinti ruošinį bet kuria kryptimi (jei tai medis, nepriklausomai nuo grūdėlių krypties).
  - Skirtinga jėga spaudžiant šlifuočlį, tai turės įtakos jo sukimosi greičiui. Lengvai spausiti rekomenduojama atliekant smulkų darbą, vidutiniškai - atliekant grubų šlifavimą. Spaudimas per stipriai neleidžia padui sukelti tiek, kiek reikia.
  - Laikykite šlifavimo padą lygiai ant ruošinio. Nuvertus šlifuočlį arba naudojant šlifavimo pado kraštus, gali susidaryti nelygi apdaila ir sutrumpėti šlifavimo pado tarnavimo laikas.
  - Šlifuočliu šlifaukite plačiais vienodais judesiais per ruošinį. Per ilgai šlifaujant vienoje vietoje galima subraižyti ruošinį ir rezultatas bus netolygus.
  - Nuolat tikrinkite ruošinį, ekscentriniai šlifuočiai veikia agresyviau nei paprasti orbitiniai šlifuočiai.
1. Padėkite šlifuočlį ant ruošinio ir įjunkite šlifuočlį.
  2. Laikykite šlifavimo lakštą lygiai prie ruošinio, leiskite šlifuočliui judėti ruošiniu ir šlifaukite ilgais, plačiais judesiais.
  3. Pradėkite šlifuoti stambaus grūdėto švitrinio popieriumi ir palaipsniui jį pakeiskite vis smulkesniu švitrinio popieriumi, kol pasieksite norimą apdailos lygį. Pavyzdžiui, kai naudojate šlifuočlį ant medienos, pradėkite nuo 80-ies šiurkštumo švitrinio popieriaus, po to - 120, tada - 180 ir pan.

### Dažų ar lako pašalinimas

1. Nuvalydami kelis dažų ar lako sluoksnius, kuo daugiau pašalinkite dažų tirpikliu arba lako valikliu.
2. Nuvalykite likučius glaistykle ar kitu šveitimo įrankiu ir, prieš naudodami šlifuočlį ant ruošinio, leiskite jo paviršius atvėsti bei išdžiūti.
3. Pasirinkite stambaus grūdėto švitrinio popieriaus lakštą tam, kad švitrinis popierius prietaise neužsikistų.
4. Judinkite šlifuočlį per naujas vietas tam, kad išvengtumėte senos dangos (dažų ar lako) įkaitimo ir suminkštėjimo.
5. Tam, kad apdaila būtų tolygi, dirbkite plačiais, persidengiančiais mostais.
6. Tam, kad nesubraižytumėte ruošinio paviršiaus, kai ruošinys pradeda matytis per seną dangą, pakeiskite jį vidutinio grūdėto švitrinio popieriaus lakštu. Palaipsniui pakeikite prie smulkaus švitrinio popieriaus, kol pasieksite norimą apdailos lygį.

### VALYMAS

Įrenginio vėdinimo angos visada turi būti švarios.


### TECHNINIS APTARNAVIMAS

Naudokite tik „Milwaukee“ priedus ir „Milwaukee“ atsargines dalis. Dalis, kurių keitimas neaprašytas, leidžiama keisti tik „Milwaukee“ klientų aptarnavimo skyriams (žr. garantiją/klientų aptarnavimo skyrių adresu brošiūroje).

Jei reikia, nurodant įrenginio tipą bei specifikacijų lentelėje esantį numerį, iš klientų aptarnavimo skyriaus arba tiesiai iš Techtronic Industries GmbH, Max-Eyth-Straße 10, 71364 Winnenden, Germany, galima užsisakyti prietaiso surinkimo brėžinius.

### SIMBOLIAI

	Prieš pradėdami dirbti su prietaisu, atidžiai perskaitykite jo naudojimo instrukciją.
	DĖMESIO! ĮSPĖJIMAS! PAVOJUS!
	Prieš atlikdami bet kokius darbus įrenginyje, išimkite keičiamą akumuliatorių..
	Nenaudoti jėgos.
	Dirbdami su įrenginiu visada nešiokite apsauginius akinius.
	Dėvėti tinkamą apsauginę kaukę nuo dulkių.
	Priedas – neįeina į tiekimo komplektaciją, rekomenduojamas papildymas iš priedų asortimento.
	Elektros prietaisų, baterijų/akumuliatorių šalinti kartu su buitinėmis atliekomis negalima. Elektros prietaisus ir akumuliatorių reikia surinkti atskirai ir atiduoti perdirbimo įmonei, kad būtų pašalinti aplinkai saugiu būdu. Vietos valdžios institucijose arba specializuotose prekybos vietose pasidomėkite apie perdirbimo ir surinkimo centrus.
$n_0$	Sūkių skaičius laisva eiga
V	Įtampa

	Nuolatinė srovė
	Europos atitikties ženklas
	Britanijos atitikties ženklas
	Ukrainos atitikties ženklas
	Eurazijos atitikties ženklas

TEHNILISED ANDMED	M12 FDSS
Konstruksioon	vibrolihvimismasin
Tootmisnumber	4914 26 01 XXXXXX MJJJ
Vahetatava aku pinge	12 V =
Pöörlemiskiirus tühjooksul 1/2/3/4	0-8000 / 0-10000 / 0-12000 / 0-14000 min <sup>-1</sup>
Pöörlemisringi ø	1,5 mm
Lihvplaadi mõõtmed	88,8 x 63,5 mm
Kaal vastavalt EPTA-protseduurile 01/2014 (Li-Ion 2,0 Ah ... 6,0 Ah)	0,76 ... 1,00 kg
Soovituslik keskkonna temperatuur töötamiseks	-18 ... +50 °C
Soovituslikud akupakid	M12B...
Soovituslik laadija	C12C; M12C4; M12-18...
<b>Müra andmed:</b> Mõõteväärtused on kindlaks tehtud vastavalt normile EN 62841. Seadme tüüpiline hinnanguline (müratase):	
Helirõhutase / Määramatus K	64,69 dB (A) / 3 dB (A)
Helivõimsuse tase / Määramatus K	75,69 dB (A) / 3 dB (A)
<b>Kandke kaitseks kõrvaklappe!</b>	
<b>Vibratsiooni andmed:</b> Vibratsiooni koguväärtus (kolme suuna vektorsummamõõdetud EN 62841 järgi).	
Vibratsiooni emissiooni väärtus a <sub>v</sub> / Määramatus K	4,3 m/s <sup>2</sup> / 1,5 m/s <sup>2</sup>

## TÄHELEPANU!

Sellel teabelehel toodud vibratsiooni- ja müraemissioon on mõõdetud standardis EN 62841 kirjeldatud standarditud testiga ning seda võib kasutada tööriistade omavaheliseks võrdlemiseks. Testi võib kasutada kokkupuute esialgseks hindamiseks. Deklareeritud vibratsiooni- ja müratase puudutab tööriista põhikasutus. Kui tööriista kasutatakse muuks otstarbeks, teistsuguste tarvikutega või tööriista hooldatakse halvasti, võivad vibratsioon ja müraemissioon erineda. See võib kokkupuutetaset kogu tööajal oluliselt suurendada. Vibratsiooni ja müraga kokkupuute hinnangulise taseme juures tuleb arvesse võtta ka aega, kui tööriist on välja lülitatud või töötab, kuid sellega ei tehta tööd. See võib kokkupuutetaset kogu tööaja kohta oluliselt vähendada. Tähtsate kindlaks täiendavd ohutusmeetmed operaatiori kaitsmiseks vibratsiooni ja/või müra eest, näiteks: hooldage tööriista ja tarvikuid, hoidke käed soojas, vaadake üle töökorraldus.

**TÄHELEPANU!** Lugege kõik seadmega kaasas olevad ohutusjuhised, juhendid, joonised ja andmed läbi. Järgnevalt toodud juhiste eiramise tagajärjeks võib olla elektrilöök, tulekahju ja/või rasked vigastused.

**Hoidke kõik ohutusnõuded ja juhised edasiseks kasutamiseks hoolikalt alles.**

## EDASISED OHUTUS- JA TÖÖJUHISED

Ärge pange kätt töötava masina ohupiirkonda. Puru ega pilpaid ei tohi eemaldada masina töötamise ajal. Kasutada kaitsevarustust. Masinaga töötamisel kanda alati kaitseprille. Töötamisel tekkiv tolm on sageli tervistkahjustav ning ei tohiks organismi sattuda. Kasutage tolmuaerumist ning kandke täiendavalt sobivat tolmukaitsemaski. Kogunenud tolm eemaldage põhjalikult, nt immisega.

Lülitage seade välja kohe, kui tekib märgatav vibratsioon või märkate muid puudusi. Kontrollige masin üle, et põhjus kindlaks teha.

Töödeldav toorik tuleb kinnitada, kui ta ei seisa oma raskusega paigal. Lühiseohu tõttu ei tohi õhususpiludesse sattuda metalloosi.

**TÄHELEPANU!** Lühisest põhjustatud tuleohtu, vigastuste või toote kahjustuste vältimiseks ärge kastke tööriista, vahetusakut ega laadimiseadet vedelikku ning jälgige, et vedelikke ei tungiks seadmetesse ega akusse. Korrodeeruvad või elektrit juhtivad vedelikud, nagu soolvesi, teatud kemikaalid ja pleegitusained või pleegitusaineid sisaldavad tooted, võivad põhjustada lühist.

Kasutage ainult originaalseid Milwaukee ise kinnituvu takjaskatttega lihvimis- ja poleerimistöörõistu.

Ärge avage vahetatavaid akusid ega laadijaid ning ladustage neid ainult kuivades ruumides. Kaitske niiskuse eest.

Laadige süsteemi M12 vahetatavaid akusid ainult süsteemi M12 laadijatega. Ärge laadige nendega teiste süsteemide akusid.

## KASUTAMINE VASTAVALT OTSTARBELE

Lihvijat saab kasutada puidu, plasti, metalli, täite- ja värvipindade lihvimiseks.

Ärge kasutage toodet viisidel, mida ei ole toodud kasutusotstarbe peatükis.

## JÄÄKOHUD

Jääkohud ei ole välistatud ka otstarbekohase kasutamise korral. Kasutamisel võivad tekkida järgmised ohud, millele kasutaja peab erilist tähelepanu pöörama:

- Vibratsioonist põhjustatud vigastused. Hoidke seadet selleks ette nähtud käepidemetest ja piirake töö- ning toimeaega.
- Mürasaaste võib põhjustada kuulmekahjustusi. Kandke kuulmekaitset ja piirake toimeaega.
- Mustuseosakestest põhjustatud silmavigastused. Kandke alati kaitseprille, vastupidavaid pikki pükse, kindaid ning tugevaid jalatsid.
- Mürgiste tolmude sissehingamine

## LIITIUMIOONAKUDE JUHISED

### Liitiumioonakude kasutus

Pikemat aega mittekasutatud akusid laadige veel enne kasutamist.

Temperatuur üle 50 °C vähendab vahetatava aku töövoimet. Vältige pikemat soojenemist päikese või kütteseadme mõjul. Hoidke laadija ja vahetatava aku ühenduskontaktid puhtad.

Optimaalse patarei eluea tagamiseks, pärast kasutamist lae patareiplokk täielikult. Akud tuleks võimalikult pika kasutusea saavutamiseks pärast täislaadimist laadijast välja võtta.

Aku ladustamisel üle 30 päeva: Ladustage akut kuivas kohas u 27°C juures. Ladustage akut u 30-50% laetussesundis. Laadige aku iga 6 kuu tagant täis.

## Liitiumioonakude ülekoormuskaitse

Aku ülekoormamisel kõrge voolutarbimisega, nt puuri blokeerumisel, lühise tekkimisel või ülikõrgetel pööretel, vibreerib elektritööriist 5 sekundit, laadimistuli vilgub ja tööriist lülitub automaatselt välja.

Uuesti sisse lülitamiseks tuleb päästik esmalt vabastada ning seejärel uuesti alla suruda. Üliisuurel koormusel võib aku kuumeneda kõrgete temperatuurideni. Sellisel juhul vilguvad kõik laadimistulukesed kuni aku jahtumiseni. Peale laadimistulukesete kustumist võite tööd jätkata.

## Liitiumioonakude transportimine

Liitiumioonakud on allutatud ohtlike ainete transportimisega seonduvatele õigusaktidele.

Nende akude transportimine peab toimuma kohalikest, siseriiklikest ja rahvusvahelistest eeskirjadest ning määrustest kinni pidades.

Tarbijad tohivad neid akusid edasiste piiranguteta tänaval transportida.

Liitiumioonakude komertstransport ekspedeerimisetevõtete kaudu on allutatud ohtlike ainete transportimisega seonduvatele õigusaktidele. Tarne-ettevalmistusi ja transporti tohivad teostada eranditult vastavalt koolitatud isikud. Kogu protsessi tuleb asjatundlikult jälgida.

Akude transportimisel tuleb järgida järgmisi punkte:

Tehke kindlaks, et kontaktid on lühiste vältimiseks kaitstud ja isoleeritud.

Pöörake tähelepanu sellele, et akupakk ei saaks pakendis nihkuda. Kahjustatud või välja voolanud akusid ei tohi kasutada. Pöörduge edasiste juhiste saamiseks ekspedeerimisetevõtte poole.

## TÖÖJUHISED

### Üldine lihvimine juhuliku orbiidiga lihvimismasin

Juhuliku orbiidiga lihvimismasinate kasutamisel tuleb meeles pidada järgmist:

- Erinevalt enamikust lihvimismasinatest tuleks juhuliku orbiidiga lihvimismasinad asetada töödeldavale detailile ENNE tööriista käivitamist. Kui lihvimismasin käivitatakse enne selle töödeldavale detailile asetamist, võib vabalt ujuv padi pöördela kiirusega, mis võib põhjustada kriimustusi, kui see lõpuks töödeldavale detailile asetatakse.
  - Erinevalt enamikust lihvimismasinatest saab juhuliku orbiidiga lihvimismasinad liigutada üle töödeldava detaili igas suunas (puidu puhul olenemata soonte suunast).
  - Lihvimismasinale rakendatav erinev surve mõjutab selle pöörlemiskiirust. Peene töö puhul on soovitatav kasutada kergert survet, raskemate tööde puhul mõõdukat survet. Liigne surve ei lase padjal piisavalt pöördela.
  - Hoidke lihvimisjadi töödeldaval detailil tasasel. Lihvimismasina kallutamine või padja servade kasutamine võib kaasa tuua ebaühtlase viimistluse ja lühendada padja kasutusiga.
  - Liigutage lihvimismasinat laide ühtlaste liigutustega üle töödeldava detaili. Liiga pikk lihvimine ühes kohas võib põhjustada tükkeid ja ebaühtlaseid tulemusi.
  - Kontrollige töödeldavat detaili sageli, juhuliku orbiidiga lihvimismasinad töötavad agressiivsemalt kui lihtsa orbiidiga lihvimismasinad.
- Asetage lihvimismasin töödeldavale detailile ja lülitage lihvimismasin sisse.
  - Hoidke lihvimislehte tasasel töödeldava detaili vastas, hoidke lihvimismasinat üle töödeldava detaili liikumas ja kasutage pikki pühkimisliigutusi.
  - Alustage lihvimisjämedateralise liivapaberiga ja kasutage järkjärgult peenemat ja peenemat liivapaberit, kuni saavutate soovitud viimistluse. Näiteks kui kasutate lihvimismasinat puudel, alustage liivateraga 80, selle järgselt 120, seejärel 180 ja nii edasi.

## Värvi või laki eemaldamine

- Mitme värvi- või lakikihi eemaldamisel eemaldage nii palju kui võimalik värvilahusti või lakieemaldiga.
- Kraapige jäägid pahtlilabida või muu kraapimisvahendiga ära ning laske enne pinna töötlemist lihvimismasinaga sellel jahtuda ja kuivada.
- Valige jämedateraline liivapaberileht, et vältida liivapaberi ummistumist.
- Liigutage lihvimismasinat pidevalt uutal aladel, et vältida vana katte (värv või lakk) kuumenemist ja pehmenemist.
- Töötage laide, kattuvate tõmmetega, et saavutada ühtlane viimistlus.
- Kui töödeldav detail hakkab läbi vana katte paistma, minge üle keskmise karedusega liivapaberilehele, et vältida töödeldava detaili pinna kriimustamist. Kasutage järkjärgult peeneteralist liivapaberit, kuni saavutate soovitud viimistluse.

## PUHASTAMINE

Hoidke masina õhutuspiilud alati puhtad.

## HOOLDUS

Kasutage ainult Milwaukee tarvikuid ja Milwaukee tagavaraosi. Detailid, mille väljavahetamist pole kirjeldatud, laske välja vahetada Milwaukee klienditeeninduspunktis (vaadake brošüüri garantii / klienditeeninduste aadressid).

Vajaduse korral võite tellida seadme läbilõikejoonise, näidates ära masina tüübi ja andmesidil oleva numbr. Selleks pöörduge klienditeeninduspunkti või ots: Techtronic Industries GmbH, Max-Eyth-Straße 10, 71364 Winnenden, Germany.



**SÜMBOLID**

	Palun lugege enne käikulaskmist kasutamisujuhend hoolikalt läbi.
	ETTEVAATUST! TÄHELEPANU! OHUD!
	Enne kõiki töid masina kallal võtke vahetata aku välja..
	Ärge kasutage jõudu.
	Masinaga töötades kandke alati kaitseprille.
	Kanda sobivat kaitsemaski.
	Tarvikud - ei kuulu tarne komplekti, soovitatav täiendus on saadaval tarvikute programmis.
	Elektriseadmeid, patareisid/akusid ei tohi utiliseerida koos majapidamisprügiga. Elektriseadmed ja akud tuleb eraldi kokku koguda ning kõrvaldada keskkonnasõbralikul moel töötlemiskeskusesse. Küsige infot jäätmekäitlusjaamade ja kogumispunktide kohta oma kohalike ametnike või edasimüüja käest.
$n_0$	Pöörlemiskiirus tühijooksul
V	Voltaaž
	Alaivsvool
	Euroopa vastavusmärk
	Ühendkuningriigi vastavusmärk
	Ukraina vastavusmärk
	Euraasia vastavusmärk

ТЕХНИЧЕСКИЕ ДАННЫЕ		M12 FDSS
Модель	Виброшлифовальная машина	
Серийный номер изделия	4914 26 01 XXXXXX MJJJJ	
Вольтаж аккумулятора	12 V =	
Число оборотов без нагрузки 1/2/3/4	0-8000 / 0-10000 / 0-12000 / 0-14000 min <sup>-1</sup>	
Диаметр осцилляционных перемещений	1,5 mm	
Размеры шлифовальной платформы	88,8 x 63,5 mm	
Вес согласно процедуре EPTA 01/2014 (Li-Ion 2,0 Ah ... 6,0 Ah)	0,76 ... 1,00 kg	
Температура окружающей среды, рекомендованная для эксплуатации	-18 ... +50 °C	
Рекомендованные аккумуляторные блоки	M12B...	
Рекомендованные зарядные устройства	C12C; M12C4; M12-18...	
<b>Информация по шумам:</b> Значения замерялись в соответствии со стандартом EN 62841.		
Уровень шума прибора, определенный по показателю A, обычно составляет:		
Уровень звукового давления / Небезопасность K	64,69 dB (A) / 3 dB (A)	
Уровень звуковой мощности / Небезопасность K	75,69 dB (A) / 3 dB (A)	
<b>Пользуйтесь приспособлениями для защиты слуха.</b>		
<b>Информация по вибрации:</b> Общие значения вибрации (векторная сумма трех направлений) определены в соответствии с EN 62841.		
Значение вибрационной эмиссии a <sub>n</sub> / Небезопасность K	4,3 m/s <sup>2</sup> / 1,5 m/s <sup>2</sup>	

**ВНИМАНИЕ!**

Заявленные значения вибрации и шумового излучения, указанные в настоящем информационном листе, были измерены согласно стандартизированному методу испытания согласно EN 62841 и могут использоваться для сравнения одного инструмента с другим. Они могут применяться для предварительной оценки воздействия на организм человека.

Указанные значения вибрации и шумового излучения действительны для основных областей применения инструмента. Однако если инструмент используется в других областях применения или с другими принадлежностями либо приводит ненадлежащее обслуживание, значения вибрации и шумового излучения могут отличаться. Это может существенно увеличить уровень воздействия на организм на протяжении общего периода работы.

При оценке уровня воздействия вибрации и шумового излучения на организм также необходимо учитывать периоды, когда инструмент выключен, или когда он работает, но фактически не используется для выполнения работы. Это может существенно сократить уровень воздействия на организм на протяжении общего периода работы.

Определите дополнительные меры для защиты оператора от воздействия вибрации и/или шума, такие как обслуживание инструмента и его принадлежностей, сохранение рук в тепле, организация графиков работы.

**ВНИМАНИЕ!** Ознакомьтесь с правилами техники безопасности, техническими регламентами, изображениями и данными, прилагаемыми к устройству. При несоблюдении нижеследующих указаний возможно поражение электротоком, возникновение пожара и/или получение серьезных травм.

**Сохраняйте эти инструкции и указания для будущего использования.**

**ДОПОЛНИТЕЛЬНЫЕ УКАЗАНИЯ ПО БЕЗОПАСНОСТИ И РАБОТЕ**

Никогда не касайтесь опасной режущей зоны в момент работы. Не убирайте опилки и обломки при включенном инструменте. Пользоваться средствами защиты. Работать с инструментом всегда в защитных очках. Пыль, образующаяся при работе с данным инструментом, может быть вредна для здоровья и попасть на тело. Пользуйтесь системой пылеудаления и надевайте подходящую защитную маску. Тщательно убирайте скапливающуюся пыль (напр. пылесосом).

Немедленно выключайте машину если почувствовали ощутимую вибрацию или при других неисправностях. Проверьте инструмент чтобы обнаружить причину неисправности.

Если изделие не достаточно тяжелое и неустойчивое, то его необходимо закрепить. Не приближайте металлические предметы к вентиляционным отверстиям из-за опасности короткого замыкания!

**ВНИМАНИЕ!** Для предотвращения опасности пожара в результате короткого замыкания, травм и повреждения изделия не опускайте инструмент, сменный аккумулятор или зарядное устройство в жидкости и не допускайте попадания жидкостей внутрь устройств или аккумуляторов. Коррозионные и проводящие жидкости, такие как соленый раствор, определенные химикаты, отбеливающие средства

или содержащие их продукты, могут привести к короткому замыканию.

Пользуйтесь только оригинальными шлифовальными и полировальными инструментами Milwaukee с крепежом типа "велькро".

Никогда не вскрывайте аккумуляторы или зарядные устройства и храните их только в сухих помещениях. Следите, чтобы они всегда были сухими.

Для зарядки аккумуляторов модели M12 используйте только зарядным устройством M12. Не заряжайте аккумуляторы других систем.

**ИСПОЛЬЗОВАНИЕ**

Шлифовальный инструмент предназначен для шлифования деревянных, пластиковых, металлических, шпаклеванных и окрашенных поверхностей.

Не используйте этот продукт для любой другой цели; используйте его только по указанному целевому назначению.

**ОСТАТОЧНЫЕ ОПАСНОСТИ**

Даже при надлежащем использовании нельзя исключить все остаточные риски. При использовании могут возникнуть такие опасности, на которые пользователь должен обратить особое внимание:

- Травмы вследствие вибрации. Держите прибор за предусмотренные для этого рукоятки и ограничивайте время работы и экспозиции.
- Шумовое воздействие может привести к повреждению слуха. Носите защитные наушники и ограничивайте продолжительность экспозиции.

- Травмы глаз, вызванные частицами загрязнений. Всегда надевайте защитные очки, плотные длинные брюки, рукавицы и прочную обувь.
- Вдыхание ядовитой пыли.

## УКАЗАНИЯ ДЛЯ ЛИТИЙ-ИОННЫХ АККУМУЛЯТОРОВ

### Использование литий-ионных аккумуляторов

Перед использованием аккумулятора, которым не пользовались некоторое время, его необходимо зарядить.

Температура свыше 50°C снижает работоспособность аккумуляторов. Избегайте продолжительного нагрева или прямого солнечного света (риск перегрева). Контакты зарядного устройства и аккумуляторов должны содержаться в чистоте.

Для обеспечения оптимального срока службы аккумуляторов необходимо полностью заряжать после использования прибора. Для достижения максимально возможного срока службы аккумуляторы после зарядки следует вынимать из зарядного устройства.

При хранении аккумулятора более 30 дней: Храните аккумулятор при 27°C в сухом месте. Храните аккумулятор с зарядом примерно 30% - 50%. Каждые 6 месяцев аккумулятор следует заряжать.

### Защита литий-ионных аккумуляторов от перегрузки

В случае перегрузки аккумулятора по причине слишком большого потребления электроэнергии, при экстремально большом крутящем моменте, внезапной остановке или коротком замыкании, электроприбор вибрирует в течение 5 секунд, загорается индикатор заряда аккумулятора и электроприбор автоматически выключается. ть работу.

Для повторного включения следует отжать кнопку включения и потом снова включить. При слишком высоких нагрузках аккумулятор перегревается. В этом случае загораются все лампы индикатора заряда аккумулятора. Когда аккумулятор остынет и лампы погаснут – можно продолжа

### Транспортировка литий-ионных аккумуляторов

Литий-ионные аккумуляторы в соответствии с предписаниями закона транспортируются как опасные грузы.

Транспортировка этих аккумуляторов должна осуществляться с соблюдением местных, национальных и международных предписаний и положений.

Эти аккумуляторы могут перевозиться по улице потребителем без дальнейших обязательств.

При коммерческой транспортировке литий-ионных аккумуляторов экспедиторскими компаниями действуют положения, касающиеся транспортировки опасных грузов. Подготовка к отправке и транспортировка должны производиться исключительно специально обученными лицами. Весь процесс должен находиться под контролем специалиста.

При транспортировке аккумуляторов необходимо соблюдать следующие пункты:

Убедитесь, что контакты защищены и изолированы во избежание короткого замыкания.

Следите за тем, чтобы аккумуляторный блок не соскочил внутри упаковки. Транспортировка поврежденных или протекающих аккумуляторов запрещена. За дополнительными указаниями обратитесь к своему экспедитору.

## УКАЗАНИЯ ПО РАБОТЕ

### Общие правила работы с шлифовальными инструментами со случайной орбитой

При использовании шлифовальных инструментов со случайной орбитой необходимо учитывать изложенные ниже правила.

- В отличие от большинства шлифовальных инструментов шлифовальные машины со случайной орбитой следует размещать на заготовке ДО их запуска. При запуске шлифовального инструмента до размещения на заготовке скорость свободно плавающей накладки в момент

размещения на заготовке может привести к появлению царапин.

- В отличие от большинства шлифовальных инструментов шлифовальные инструменты со случайной орбитой можно перемещать по заготовке в любом направлении (а если поверхность деревянная — независимо от направления волокон).
- Скорость вращения шлифовального инструмента зависит от прижимного усилия. Для тонких видов работ рекомендуется использовать легкое прижимное усилие, для более грубых — умеренное. Чрезмерное прижимное усилие будет мешать накладке вращаться с необходимой скоростью.
- Держите шлифовальную накладку параллельно заготовке. Если держать шлифовальный инструмент под наклоном или использовать края накладки, это может стать причиной неровностей на поверхности и привести к сокращению срока службы накладки.
- Работая со шлифовальным инструментом, выполняйте широкие равномерные движения по всей поверхности заготовки. Слишком продолжительная шлифовка в одном и том же месте может стать причиной появления углублений и неровностей.
- Регулярно проверяйте состояние заготовки: шлифовальные инструменты со случайной орбитой работают более агрессивно, чем обычные орбитальные машины.

1. Разместите шлифовальный инструмент на заготовке и включите его.
2. Держа шлифовальный лист параллельно заготовке, перемещайте шлифовальный инструмент по заготовке длинными широкими движениями.
3. Начните шлифовку с крупнозернистой наждачной бумаги, а затем постепенно переходите на наждачную бумагу с более мелкой зернистостью, пока не будет достигнут желаемый результат. Например, при обработке деревянных поверхностей начните с зернистости 80, затем перейдите на зернистость 120, затем — на зернистость 180 и так далее.

### Удаление краски или лака

1. При удалении нескольких слоев краски или лака сначала снимите как можно больше материала с помощью растворителя для краски или жидкости для снятия лака.
2. Соскребите остатки с помощью шпателя или другого скребкового инструмента и дайте поверхности остыть и высохнуть, прежде чем устанавливать шлифовальный инструмент на заготовке.
3. Выбирайте наждачную бумагу крупной зернистости, чтобы предотвратить ее смятие.
4. Постоянно перемещайте шлифовальный инструмент, чтобы избежать нагрева и размягчения старого слоя (краски или лака).
5. Для обеспечения однородности поверхности работайте широкими движениями внахлест.
6. Когда сквозь старое покрытие будет проступать поверхность заготовки, возьмите наждачную бумагу средней зернистости, чтобы не поцарапать заготовку. Постепенно переходите на наждачную бумагу более мелкой зернистости, пока не получите желаемый результат.

## СТИРКА

Всегда держите охлаждающие отверстия чистыми.

## ОБСЛУЖИВАНИЕ

Пользуйтесь аксессуарами и запасными частями Milwaukee. В случае возникновения необходимости в замене, которая не была описана, обращайтесь в один из сервисных центров по обслуживанию электроинструментов Milwaukee (см. список сервисных организаций).

При необходимости может быть заказан чертеж инструмента с трехмерным изображением деталей. Пожалуйста, укажите номер и тип инструмента и закажите чертеж у Ваших местных агентов или непосредственно у Techtronic Industries GmbH, Max-Eyth-Straße 10, 71364 Winnenden, Germany.

## СИМВОЛЫ

	Пожалуйста, внимательно прочтите инструкцию по использованию перед началом любых операций с инструментом.
	ВНИМАНИЕ! ПРЕДУПРЕЖДЕНИЕ! ОПАСНОСТЬ!
	Выньте аккумулятор из машины перед проведением с ней каких-либо манипуляций..
	Не применяйте силу
	При работе с инструментом всегда надевайте защитные очки.
	Надевайте противопылевой респиратор.
	Принадлежности - В стандартную комплектацию не входит, поставляется в качестве дополнительной принадлежности.
	Электроприборы, батареи/аккумуляторы запрещено утилизировать вместе с бытовым мусором. Электрические приборы и аккумуляторы следует собирать отдельно и сдавать в специализированную компанию для утилизации в соответствии с нормами охраны окружающей среды. Получите в местных органах власти или у вашего специализированного дилера сведения о центрах вторичной переработки и пунктах сбора.
$n_0$	Число оборотов без нагрузки
V	Напряжение
	Постоянный ток
	Европейский знак соответствия
	Британский знак соответствия
	Украинский знак соответствия
	Евразийский знак соответствия

ТЕХНИЧЕСКИ ДАННИ	M12 FDSS
Тип	Уред за суперфиниш
Производствен номер	4914 26 01 XXXXXX MJJJJ
Напрежение на акумулатора	12 V =
Обороти на празен ход 1/2/3/4	0-8000 / 0-10000 / 0-12000 / 0-14000 min <sup>-1</sup>
Диаметър на ексцентриковия кръг	1,5 mm
Размер на шлифовъчната пластина	88,8 x 63,5 mm
Тегло съгласно процедурата EPTA 01/2014 (Li-Ion 2,0 Ah ... 6,0 Ah)	0,76 ... 1,00 kg
Препоръчителна температура на околната среда при експлоатация	-18 ... +50 °C
Препоръчителни акумулаторни батерии	M12B...
Препоръчителни зарядни устройства	C12C; M12C4; M12-18...
<b>Информация за шума:</b> Измерените стойности са получени съобразно EN 62841.	
Оцененото с А ниво на шума на уреда е съответно:	
Равнище на звуковото налягане / Несигурност К	64,69 dB (A) / 3 dB (A)
Равнище на мощността на звука / Несигурност К	75,69 dB (A) / 3 dB (A)
<b>Да се носи предпазно средство за слуха!</b>	
<b>Информация за вибрациите:</b> Общите стойности на вибрациите (векторна сума на три посоки) са определени в съответствие с EN 62841.	
Стойност на емисии на вибрациите a <sub>h</sub> / Несигурност К	4,3 m/s <sup>2</sup> / 1,5 m/s <sup>2</sup>

## ВНИМАНИЕ!

Посочените в настоящия информационен лист нива на вибрации и шумови емисии са измерени в съответствие със стандартизирано изпитване, предоставено в EN 62841, и могат да се използват за сравняване на един инструмент с друг. Те може също така да се използват и за предварителна оценка на излагането на вредни въздействия.

Декларираните нива на вибрации и шумови емисии се отнасят за основните приложения на инструмента. Ако обаче инструментът се използва за други приложения, с други приспособления или не се поддържа добре, нивата на вибрации и шумови емисии могат да са различни. Това може значително да повиши нивото на излагане на вредни въздействия за общата продължителност на работата.

При оценка на нивото на излагане на въздействието на вибрации и шум следва също така да се вземе предвид времето, през което инструментът е изключен или през което е включен, но не се използва. Това може значително да понижи нивото на излагане на вредни въздействия за общата продължителност на работата.

Определете допълнителни мерки за безопасност за защита на оператора от въздействието на вибрациите и/или шума, като например поддръжка на инструмента и приспособленията, поддържането на топлината на ръцете и организацията на работата.

**ВНИМАНИЕ!** Прочетете всички указания за безопасност, инструкции, изображения и техническите данни, които получавате с уреда. Ако не спазвате следните указания, това може да доведе до токов удар, пожар и/или тежки наранявания.

**Запазете всички указания и инструкции за безопасност за бъдещето.**

## ДОПЪЛНИТЕЛНИ УКАЗАНИЯ ЗА РАБОТА И БЕЗОПАСНОСТ

Не бъркайте в зоната на опасност на работещата машина. Стружки или отчупени парчета да не се отстраняват, докато машина работи. Да се използват предпазни средства. При работа с машината винаги носете предпазни очила. При работа на открито или когато в машината могат да попаднат влага или прах, се препоръчва уредът да се свързва чрез защитен прекъсвач за утечен ток с максимално 30 mA ток на задействане.

Веднага изключете машината, ако се появят значителни вибрации или бъдат установени други нередности. Проверете машината за да установите причината.

Обработваният детайл трябва да бъде фиксиран здраво, ако не е достатъчно тежък, за да стои стабилно от собственото си тегло. Във вентилационните шлице не бива да попадат метални части поради опасност от късо съединение.

**ВНИМАНИЕ!** За да избегнете опасността от пожар, предизвикана от късо съединение, както и нараняванията и повредите на продукта, не потапяйте инструмента, сменяемата акумулаторна батерия или зарядното устройство в течности и се погрижете в уредите и акумулаторните батерии да не попадат течности. Течностите, предизвикващи корозия или провеждащи електричество, като солена вода, определени химикали, избелващи вещества или продукти, съдържащи избелващи вещества, могат да предизвикат късо съединение.

Използвайте само оригинални инструменти на Milwaukee за полиране и шлифоване със самозалепваща връзка "велкро".

Не отваряйте акумулатори и зарядни устройства и ги съхранявайте само в сухи помещения. Пазете ги от влага.

Акумулатори от системата M12 да се зареждат само със зарядни устройства от системата M12 laden. Да не се зареждат акумулатори от други системи.

## ИЗПОЛЗВАНЕ ПО ПРЕДНАЗНАЧЕНИЕ

Шлайфът може да се използва за шлифоване на дърво, пластмаса, метал, пълнеж и боядисани повърхности.

Не използвайте уреда по различен от описаните в предназначението начини.

## ОСТАТЪЧНИ РИСКОВЕ

Дори при правилна употреба, остатъчните рискове не могат да бъдат изключени. При използване могат да възникнат следните опасности, за които обслужващият трябва да внимава:

- Наранявания, причинени от вибрации. Дръжте уреда за предвидените за целта ръкохватки и ограничавайте времето на работа и експозиция.
- Шумовото натоварване може да причини слухови увреждания. Носете защита за слуха и ограничете продължителността на експозицията.
- Наранявания на очите, причинени от замърсяващи частици. Винаги носете предпазни очила, здрави дълги панталони, ръкавици и стабилни обувки.
- Вдишване на отровни прахове.

## УКАЗАНИЯ ЗА ЛИТИЕВО-ЙОННИ АКУМУЛАТОРНИ БАТЕРИИ

### Употреба на литиево-йонни акумулаторни батерии

Акумулатори, които не са ползвани по-дълго време, преди употреба да се дозаредят.

Температура над 50°C намалява мощността на акумулатора. Да се избягва по-продължително нагряване на слънце или от отопление. Поддържайте чисти присъединителните контакти на зарядното устройство и на акумулатора.

За оптимална продължителност на живот след употреба батериите трябва да се заредят напълно. За възможно по-дълга продължителност на живот батериите трябва да се изваждат от уреда след зареждане.

При съхранение на батериите за повече от 30 дни: съхранявайте батерията при прибл. 27°C и на сухо място. Съхранявайте батерията при 30 до 50 % от заряда. Зареждайте батерията на всеки 6 месеца.

### Защита от претоварване при литиево-йонни акумулаторни батерии

При претоварване на батерията вследствие на голямо потребление на енергия, например изключително високи въртящи моменти, внезапно спиране или късо съединение, електрическият инструмент вибрира в продължение на 5 секунди, мига индикаторът за зареждане и електрическият инструмент се изключва сам.

За да го включите повторно, освободете превключвателя и след това включете уреда. При екстремни натоварвания батерията се нагрява значително. В този случай всички светлини на индикатора за зареждане мигат дотогава, докато батерията се охлади. След изгасване на индикатора за зареждане можете да продължите работата с уреда.

### Превоз на литиево-йонни батерии

Литиево-йонните батерии са предмет на законовите разпоредби за превоз на опасни товари.

Превозът на тези батерии трябва да се извършва в съответствие с местните, националните и международните разпоредби и регламенти.

Потребителите могат да превозват тези батерии по пътя без допълнителни изисквания.

Превозът на литиево-йонни батерии от транспортни компании е предмет на законовите разпоредбите за превоз на опасни товари. Подготовката на превоза и самият превоз трябва да се извършват само от обучени лица. Целият процес трябва да е под професионален надзор.

Спазвайте следните изисквания при превоз на батерии:

Уверете се, че контактите са защитени и изолирани, за да се избегне късо съединение.

Уверете се, че няма опасност от разместване на батерията в опаковката. Не превозвайте повредени батерии или такива с течове. Обърнете се към Вашата транспортна компания за допълнителни инструкции.

## УКАЗАНИЯ ЗА РАБОТА

### Общо шлифоване с ексцентършлайф

Когато използвате ексцентършлайф, трябва да имате предвид няколко неща:

- За разлика от повечето шлайфове, ексцентършлайфове трябва да бъдат поставяни върху работния детайл, ПРЕДИ да бъде включен инструментът. Ако ексцентършлайфът бъде стартиран, преди да бъде поставен върху работния детайл, свободно въртящата се подложка може да се върти със скорост, която да одраска повърхността на работния детайл, когато я докосне.
- За разлика от повечето шлайфове, ексцентършлайфове могат да бъдат движени във всяка посока по работния детайл (когато работите с дърво — независимо от посоката на влакната).

Промяната на силата на натиск върху шлайфа води до промяна в скоростта му на въртене. За фина работа се препоръчва лек натиск, а за груба работа — среден натиск. Прекомерният натиск не позволява на подложката да се върти добре.

Дръжте шлифовъчната подложка водоравно върху работния детайл. Накланянето на шлайфа или използването на ръбовете на подложката може да причини неравномерно гланциране и да съкрати експлоатационния срок на подложката.

Движете шлайфа по работния детайл с широки равномерни движения. Шлайфането на едно място твърде дълго може да причини издълбаване и неравномерно гланциране.

Проверявайте работния детайл често, защото ексцентършлайфовете работят по-агресивно от обикновените шлайфове.

1. Поставете ексцентършлайфа върху работния детайл и го включете.

2. Дръжте шлифовъчния лист водоравно върху работния детайл; движете ексцентършлайфа по дължината на работния детайл с дълги и широки движения.

3. Започнете да шлайфате с едра шкурка и постепенно преминете към по-фина, докато не постигнете желания резултат. Например когато използвате шлайфа върху дърво, започнете с едрина на зърното 80, после преминете на 120, след това на 180 и т.н.

### Отстраняване на боя или лак

1. Когато трябва да отстраните няколко слоя боя или лак, отстранете възможно най-много с помощта на разредител или лакочистител.

2. Острижете остатъците с шпатель или друг инструмент за остъргване, като оставите повърхността да се охлади и изсъхне, преди да я обработите с шлайфа.

3. Изберете едра шкурка, за да не се задръсти.

4. Не обработвайте едно и също място продължително време, за да избегнете прегряване и омекване на старото покритие (боа или лак).

5. Работете с широки, застъпващи се движения, за да се получи равномерно гланциране.

6. Когато работният детайл започне да се вижда изпод старото покритие, преминете на средна шкурка, за да избегнете надраскване на повърхността на работния детайл. Постепенно преминете към по-фина шкурка, докато не постигнете желания резултат.

## ПОЧИСТВАНЕ

Вентилационните шлице на машината да се поддържат винаги чисти.

## ПОДДРЪЖКА

Да се използва само аксесоари на Milwaukee и резервни части на Milwaukee. Елементи, чията подмяна не е описана, да се дадат за подмяна в сервиз на Milwaukee (вижте брошурата "Гаранция и адреси на сервизи").

При необходимост можете да поискате за уреда от Вашия сервиз или директно от Techtron Industries GmbH, Max-Eyth-Straße 10, 71364 Winnenden, Germany, чертеж за в случай на експлозия, като посочите типа на машината и номер върху заводската табелка.

**СИМВОЛИ**

	Преди пускане на уреда в действие моля прочетете внимателно инструкцията за използване.
	<b>ВНИМАНИЕ! ПРЕДУПРЕЖДЕНИЕ! ОПАСНОСТ</b>
	Преди започване на каквито е да работи по машината извадете акумулатора..
	Не използвайте сила.
	При работа с машината винаги носете предпазни очила.
	Да се носи подходяща прахозащитна маска.
	Акcesoари - Не се съдържат в обема на доставката, препоръчвано допълнение от програмата за акcesoари.
	Електрическите уреди, батерии/акумулаторни батерии не трябва да се изхвърлят заедно с битовите отпадъци. Електрическите уреди и акумулаторни батерии трябва да се събират отделно и да се предават на службите за рециклиране на отпадъците според изискванията за опазване на околната среда. Информирайте се при местните служби или при местните специализирани търговци относно местата за събиране и центровете за рециклиране на отпадъци.
$n_0$	Обороти на празен ход
$V$	Напрежение
	Постоянен ток
	Европейски знак за съответствие
	Британски знак за съответствие
	Украински знак за съответствие
	Евро-азиатски знак за съответствие

DATE TEHNICE	M12 FDSS
Tip	Şlefuitor cu vibraţii
Număr producţie	4914 26 01 XXXXXX MJJJJ
Tensiune acumulator	12 V =
Viteza de mers în gol 1/2/3/4	0-8000 / 0-10000 / 0-12000 / 0-14000 min <sup>-1</sup>
Diametru cursa orbitală	1,5 mm
Dimensiuni placă de rectificare	88,8 x 63,5 mm
Greutatea conform „EPTA procedure 01/2014” (Li-Ion 2,0 Ah ... 6,0 Ah)	0,76 ... 1,00 kg
Temperatură ambientală recomandată pentru funcţionare	-18 ... +50 °C
Seturi de baterii recomandate	M12B...
Încărcător de baterii recomandat	C12C; M12C4; M12-18...
<b>Informație privind zgomotul:</b> Valori măsurate determinate conform EN 62841. Nivelul de zgomot evaluat cu A al aparatului este tipic de:	
Nivelul presiunii sonore / Nesigurantă K	64,69 dB (A) / 3 dB (A)
Nivelul sunetului / Nesigurantă K	75,69 dB (A) / 3 dB (A)
<b>Purtați căști de protecție</b>	
<b>Informații privind vibrațiile:</b> Valorile totale de oscilație (suma vectorială pe trei direcții) determinate conform normei EN 62841.	
Valoarea emisiei de oscilații $a_v$ / Nesigurantă K	4,3 m/s <sup>2</sup> / 1,5 m/s <sup>2</sup>

**⚠️ AVERTISMENT!**

Nivelul vibrației și emisiei de zgomot indicat în această fișă informativă a fost măsurat în conformitate cu o metodă standard de testare specificată în EN 62841 și se poate utiliza pentru a compara dispozitivele între ele. Acesta se poate utiliza și într-o evaluare preliminară a expunerii.

Nivelul declarat al vibrației și emisiei sonore reprezintă principalele aplicații ale dispozitivului. Cu toate acestea, dacă dispozitivul este utilizat pentru aplicații diferite, cu accesorii diferite sau întreținute necorespunzător, emisia de vibrații și zgomote poate diferi. Acest lucru poate crește semnificativ nivelul expunerii pe întreaga perioadă de lucru.

O estimare a nivelului de expunere la vibrații și zgomot ar trebui să țină cont și de momentele în care dispozitivul este oprit sau când funcționează, dar nu realizează de fapt nicio lucrare. Acest lucru poate reduce semnificativ nivelul expunerii pe întreaga perioadă de lucru.

Identificați măsuri de siguranță suplimentare pentru a proteja operatorul de efectele vibrațiilor și/sau zgomotului, cum ar fi: întreținerea dispozitivului și a accesoriilor, menținerea caldă a mâinilor, organizarea modelelor de lucru.

**⚠️ AVERTISMENT!** Citiți toate instrucțiunile de securitate, recomandările, reprezentările grafice și datele pe care le primiți livrate împreună cu aparatul. În cazul în care nu veți respecta următoarele instrucțiuni, se poate ajunge la electrocutare, incendii și/sau răni grave.

**Păstrați toate indicațiile de avertizare și instrucțiunile în vederea utilizărilor viitoare.**

**INSTRUCȚIUNI SUPLIMENTARE DE SIGURANȚĂ ȘI DE LUCRU**

Nu intrați niciodată în zona de pericol a plăcii când este în mișcare. Rumeгуșul și spanul nu trebuie îndepărtate în timpul funcționării mașinii. Folosiți echipament de protecție. Purtați întotdeauna ochelari de protecție când lucrați cu mașina. Praful care apare când se lucrează cu această sculă poate fi dăunător sănătății și prin urmare nu trebuie să atingă corpul. Utilizați un sistem de absorbție a prafului și purtați o mască de protecție împotriva prafului. Îndepărtați cu grijă praful depozitat, de ex. cu un aspirator.

Opriiți imediat mașina în caz de vibrații puternice sau dacă apar alte defecțiuni. Verificați mașina pentru depistarea cauzei.

Piesa de prelucrat trebuie fixată dacă nu este suficient de grea pentru a fi stabilă. Nu lăsați nici o piesă metalică să intre în fantele de aerisire - pericol de scurtcircuit.

**AVERTISMENT!** Pentru a reduce pericolul unui incendiu și evitarea rănilor sau deteriorarea produsului în urma unui scurtcircuit nu imersați scula, acumulatorul de schimb sau încărcătorul în lichide și asigurați-vă să nu pătrundă lichide în aparate și acumulatori. Lichidele corosive sau cu conductibilitate, precum apa sărată, anumite substanțe chimice și înalbitori sau produse ce conțin înalbitori, pot provoca un scurtcircuit.

Folosiți numai scule originale de șlefuit si lustruit Milwaukee, cu banda velcro autoadezivă.

Nu deschideți niciodată acumulatorii și încărcătoarele și pastrați-le numai în încăperi uscate. Pastrați-le întotdeauna uscate.

Folosiți numai încărcătoare System M12 pentru încărcarea

acumulatorilor System M12. Nu folosiți acumulatori din alte sisteme.

**CONDIȚII DE UTILIZARE SPECIFICATE**

Şlefuitorul poate fi utilizat pentru şlefuirea lemnului, plasticului, metalului, materialelor de umplură și a suprafețelor vopsite.

Nu utilizați produsul în niciun alt mod decât cel specificat în utilizare prevăzută.

**RISCURI REZIDUALE**

Excluderea tuturor pericolelor reziduale nu este posibilă chiar și în condiții de utilizare corectă a mașinii. În timpul utilizării pot apărea următoarele pericole, de care utilizatorul ar trebui să țină seama:

- Accidentări provocate de vibrații. Țineți aparatul de mânerele prevăzute în acest scop și reduceți timpul de lucru și de expunere.
- Poluarea fonică poate duce la vătămarea auzului. Purtați căști antifonice și reduceți durata expunerii.
- Afecțiuni oculare cauzate de particulele de impurități. Purtați întotdeauna ochelari de protecție, pantaloni lungi rezistenți, mănuși și încălțăminte robustă.
- Inhalare de pulberi toxice.

**INDICAȚII PENTRU ACUMULATORII LI-ION**

**Utilizarea acumulatorilor Li-Ion**

Acumulatorii care nu au fost utilizați o perioadă de timp trebuie reîncărcați înainte de utilizare

Temperatura mai mare de 50°C (122°F) reduce performanța acumulatorului. Evitați expunerea prelungită la căldură sau radiație solară (risic de supraîncălzire)

Contactele încărcătoarelor și acumulatorilor trebuie păstrate curate.

În scopul optimizării duratei de funcționare, bateriile trebuie reîncărcate complet după utilizare.

Pentru o durată de viață cât mai lungă, acumulatorii ar trebui scoși din încărcător după încărcare.

La depozitarea acumulatorilor mai mult de 30 zile:  
 Acumulatorii se depozitează la cca. 27°C și la loc uscat.  
 Acumulatorii se depozitează la nivelul de încărcare de cca. 30%-50%.

Acumulatorii se încarcă din nou la fiecare 6 luni.

### Protecție la suprasarcină la acumulatorii Li-Ion

În cazul unei suprasolicități a acumulatorului datorită unui consum excesiv de curent electric, de ex. datorită unor momente de turaj extrem de înalte, a unei opriri subite sau a unui scurt circuit, scula electrică trepidează timp de 5 secunde, indicația stării de încărcare pâlpâie și scula electrică se deconectează de la sine.

Pentru reconectare dați drumul întrerupătorului și conectați din nou. În cazul unor sarcini extreme, acumulatorul se încinge prea tare. În acest caz toate lămpile indicației stării de încărcare pâlpâie până când acumulatorul s-a răcit. După ce indicația stării de încărcare s-a stins se poate lucra mai departe.

### Transportul acumulatorilor cu ioni de litiu

Acumulatorii cu ioni de litiu cad sub incidența prescripțiilor legale pentru transportul de mărfuri periculoase.

Transportul acestor acumulatori trebuie să se efectueze cu respectarea prescripțiilor și reglementărilor pe plan local, național și internațional.

Consumatorilor le este permis transportul rutier nerestricționat al acestui tip de acumulatori.

Transportul comercial al acumulatorilor cu ioni de litiu prin intermediul firmelor de expediție și transport este supus reglementărilor transportului de mărfuri periculoase. Pregătirile pentru expediție și transportul au voie să fie efectuate numai de către personal instruit corespunzător. Întregul proces trebuie asistat în mod competent.

Următoarele puncte trebuie avute în vedere la transportul acumulatorilor:

Pentru a se evita scurtcircuite, asigurați-vă de faptul că sunt protejate și izolate contactele.

Aveți grijă ca pachetul de acumulatori să nu poată aluneca în altă poziție în interiorul ambalajului său. Este interzis transportarea unor acumulatori deteriorați sau care pierd lichid. Pentru indicații suplimentare adresați-vă firmei de expediție și transport cu care colaborați.

### INDICAȚII DE LUCRU

#### Șlefuirea generală cu șlefuitoare cu orbită aleatorie

Atunci când folosiți șlefuitoare cu orbită aleatorie, trebuie să țineți cont de câteva lucruri:

- Spre deosebire de majoritatea șlefuitoarelor, șlefuitoarele cu orbită aleatorie trebuie așezate pe piesa de lucru ÎNAINTE de a porni dispozitivul electric. Dacă șlefuitorul este pornit înainte de a fi așezat pe piesa de prelucrat, padul cu mișcare liberă se poate roti cu o viteză care poate produce zgârieturi atunci când este așezată în final pe piesa de prelucrat.
- Spre deosebire de majoritatea șlefuitoarelor, șlefuitoarele cu orbită aleatorie pot fi deplasate pe piesa de prelucrat în orice direcție (în cazul lemnului, indiferent de direcția fibrelor).
- Presiunea variabilă aplicată asupra șlefuitorului va afecta viteza de rotație a acestuia. Se recomandă o presiune ușoară pentru lucrări fine și o presiune moderată pentru lucrări dificile. Presiunea excesivă nu permite padului să se rotească suficient.
- Mențineți padul de șlefuit în poziție plană pe piesa de prelucrat. Înclinarea șlefuitorului sau folosirea marginilor padului poate conduce la un finisaj neuniform și reduce durata de viață a padului.
- Continuați să deplasați șlefuitorul cu mișcări largi și uniforme pe piesa de prelucrat. Șlefuirea într-un singur loc prea mult timp poate produce zgârieturi și poate conduce la rezultate neuniforme.
- Verificați frecvența piesa de prelucrat, deoarece șlefuitoarele cu orbită aleatorie funcționează mai agresiv decât șlefuitoarele orbitale simple.

1. Așezați șlefuitorul pe piesa de prelucrat și porniți șlefuitorul.

2. Păstrați coala abrazivă plană pe piesa de prelucrat, mențineți șlefuitorul în mișcare de-a lungul piesei de prelucrat și folosiți mișcări lungi și ample.

3. Începeți șlefuirea cu o hârtie abrazivă cu granulație mare și utilizați treptat hârtie abrazivă cu granulație din ce în ce mai fină până când se obține finisajul dorit. De exemplu, atunci când folosiți șlefuitorul pe lemn, începeți cu o granulație de 80, urmată de o granulație de 120, apoi una de 180 și așa mai departe.

### Îndepărtarea vopselei sau a lacului

1. Atunci când îndepărtați mai multe straturi de vopsea sau lac, îndepărtați cât mai mult posibil din aceste straturi cu un solvent pentru vopsea sau un dizolvant pentru lac.

2. Îndepărtați reziduurile cu un șpaclu sau o altă unealtă de răzuit și lăsați suprafața să se răcească și să se usuce înainte de a aplica șlefuitorul pe piesa de lucru.

3. Selectați o coală de hârtie abrazivă cu granulație groabă, pentru a preveni colmatarea șmirghelului.

4. Continuați să mișcați șlefuitorul pe zonele noi pentru a evita încălzirea și înmuirea vechiului strat (vopsea sau lac).

5. Lucrați cu mișcări largi, suprapuse, pentru a obține un finisaj uniform.

6. Pe măsură ce piesa de prelucrat începe să se vadă prin vechiul strat de acoperire, treceți la o coală de hârtie abrazivă cu granulație medie pentru a evita zgărirea suprafeței piesei de prelucrat. Treceți treptat la o hârtie abrazivă cu granulație fină până când obțineți finisajul dorit.

### CURĂȚARE

Fantele de aerisire ale mașinii trebuie să fie menținute libere tot timpul

### INTREȚINERE

Utilizați numai accesorii și piese de schimb Milwaukee. Dacă unele din componente care nu au fost descrise trebuie înlocuite, vă rugăm contactați unul din agenții de service Milwaukee (vezi lista noastră pentru service / garanți

Dacă este necesară, se poate comanda o imagine descompusă a sculei. Vă rugăm menționați numărul art. Precum și tipul mașinii tipărit pe etichetă și comandați desenul la agenții de service locali sau direct la Techtronic Industries GmbH, Max-Eyth-Straße 10, 71364 Winnenden, Germany.

### SIMBOLURI



Vă rugăm citiți cu atenție instrucțiunile înainte de pornirea mașinii



PERICOL! AVERTIZARE! ATENȚIE!



Îndepărtați acumulatorul înainte de începerea lucrului pe mașina.



A nu se aplica forța.



Purtați întotdeauna ochelari de protecție când utilizați mașina.



Purtați o mască de protecție corespunzătoare împotriva prafului.



Accesoriu - Nu este inclus în echipamentul standard, disponibil ca accesoriu



Aparatele electrice, bateriile/acumulatorii nu se elimină împreună cu deșeurile menajere. Aparatele electrice și acumulatorii se colectează separat și se predau la un centru de reciclare, în vederea eliminării ecologice. Informații-vă de la autoritățile locale sau de la comercianții acreditați în legătură cu centrele de reciclare și de colectare.



Viteza de mers în gol



Tensiune



Curent continuu



Marcă de conformitate europeană



Marcă de conformitate britanică



Marcă de conformitate ucraineană



Marcă de conformitate eurasiatică

ТЕХНИЧКИ ПОДАТОЦИ		M12 FDSS
Тип на дизајн	Шлајфевица-лизгач	
Производен број	4914 26 01 XXXXXX MJJJJ	
Волтажа на батеријата	12 V =	
Брзина без оптоварување	1/2/3/4 0-8000 / 0-10000 / 0-12000 / 0-14000 min <sup>-1</sup>	
Дијаметар на патеката на лежиштето	1,5 mm	
Димензии на бруската плоча	88,8 x 63,5 mm	
Тежина според ЕПТА-процедурата 01/2014 (Li-Ion 2,0 Ah ... 6,0 Ah)	0,76 ... 1,00 kg	
Препорачана температура на околината за работа	-18 ... +50 °C	
Препорачани комплекти акумулаторски батерии	M12B...	
Препорачани полначи	C12C; M12C4; M12-18...	

**Информации за бучава:** Измерените вредности се одредени согласно стандардот EN 62841.

A-оценетото ниво на бучава на апаратот типично изнесува:

Ниво на звучен притисок / Несигурност K

Ниво на јачина на звук / Несигурност K

**Носте штитник за уши.**

**Информации за вибрации:** Вкупни вибрациски вредности (векторски збир на трите насоки) пресметани согласно EN 62841.

Вибрациска емисиона вредност a<sub>n</sub> / Несигурност K

64,69 dB (A) / 3 dB (A)

75,69 dB (A) / 3 dB (A)

4,3 m/s<sup>2</sup> / 1,5 m/s<sup>2</sup>

## ▲ ПРЕДУПРЕДУВАЊЕ!

Нивото на вибрации и емисија на бучава дадени во овој информативен лист се измерени во согласност со стандардизиран метод на тестирање даден во EN 62841 и може да се користат за споредување на еден електричен алат со друг. Тие исто така може да се користат при првична проценка на изложеност.

Наведеното ниво на вибрации и емисија на бучава ја претставува главната примена на алатот. Сепак ако алатот се користи за поинакви примени, со поинаков прибор или лошо се одржува, вибрациите и емисијата на бучава може да се разликуваат. Тоа може значително да го зголеми нивото на изложеност преку целиот работен период.

Проценка на нивото на изложеност на вибрации и бучава треба исто така да се земе предвид кога е исклучен алатот или кога е вклучен, но не врши никаква работа. Тоа може значително да го намали нивото на изложеност преку целиот работен период.

Утврдете дополнителни безбедносни мерки за да се заштити операторот од ефектите на вибрациите и/или бучавата како на пр.: одржувајте го алатот и приборот, рацете нека ви бидат топли, организација на работните шеми.

**▲ ПРЕДУПРЕДУВАЊЕ!** Прочитајте ги сите безбедносни напомени, упатства, цртежи и податоци, коишто ги добивате заедно со уредот. Доколку не ги почитувате следните упатства, може да дојде до електричен удар, до пожар и/или до тешки повреди.

**Сочувајте ги сите безбедносни упатства и инструкции за во иднина.**

## ОСТАНАТИ БЕЗБЕДНОСНИ И РАБОТНИ УПАТСТВА

Никогаш не посегнувајте во зоната на опасната работна површина при вклучена машина. Прашината и струготините не смеат да се одстрануваат додека е машината работи. Употребувајте заштитна опрема. При работа со машината постојано носете заштитни очила. Прашината која се крева при работа со овој алат може да биде штетна по здравјето и затоа не го изложувајте го телото. Користете систем за апсорпција на прашината и носете соодветна заштитна маска. Одстранете ја целосно наталожената прашина пр: со правосмукалка.

Во случај на значителни вибрации или појава на други неправилности веднаш исклучете ја машината со цел да ја најдете причината за нив.

Работни предмети кои што се обработуваат мора да бидат цврсто стегнати доколку не се држи со самата своја тежина. Не дозволувајте какви и да се метални делови да дојдат до отворите за вентилација-ризик од куршлук!

**ПРЕДУПРЕДУВАЊЕ!** За да избегнете опасноста од пожар, од наранувања или од оштетување на производот, коишто ги создава краток спој, не ја потопувајте во течност алатката, заменливата батерија или полначот и пазете во уредите и во батериите да не проникнуваат течности. Корозивни или електроспроводливи течности, како солена вода, одредени хемикалии, избелувачки препарати или производи кои содржат избелувачки супстанции, можат да предизвикаат краток спој. Користете исклучиво оригинални Milwaukee шмирглачки и

полирачки алати со самолепливи велкро врзачи.

Не ги отворајте насилно батериите и полначите, и чувајте ги само на суво место. Чувајте ги постојано суви.

Користете исклучиво Систем M12 за полнење на батерии од M12 систем. Не користете батерии од друг систем.

## СПЕЦИФИЦИРАНИ УСЛОВИ НА УПОТРЕБА

Брусилката може да се користи за брусење дрво, пластика, метал, филер и обобени површини.

Не користете го производот на друг начин освен на начините за кои е наменет.

## ОСТАТОЧНИ ОПАСНОСТИ

Дури и при уредна употреба на машината, не може да се исклучат сите преостанати ризици. При употребата може да настанат следните опасности, на кои операторот треба особено да внимава:

- Повреди предизвикани како последица на вибрации. Држете ја алатката за рачките предвидени за тоа и ограничете го времето на работа и експозицијата.
- Изложеноста на бучава може да доведе до оштетување на слухот. Носете заштита за ушите и ограничете го траењето на експозицијата.
- Честичките нечистотија може да предизвикаат повреди на очите. Секогаш носете заштитни очила, долги пантолони, ракавици и цврсти чевли.
- Вдишување токсични прашина.

## УПАТСТВА ЗА ЛИТИУМ-ЈОНСКИ БАТЕРИИ

### Употреба на литиум-јонски батерии

Батериите кои не биле користени подолго време треба да се наполнат пред употреба.

Температура повисока од 500C (1220F) го намалуваат траењето на батериите. Избегнувајте подолго изложување на батериите на високи температури или сонце (ризик од прегревање). Клемите на полначот и батериите мора да бидат чисти.

За оптимален работен век батериите мора да се наполнат целосно по употреба.

За можно подолг век на траење, апаратите после нивното полнење треба да бидат извадени од апаратот за полнење на батериите.

Во случај на складирање на батеријата подолго од 30 дена: Акумулаторот да се чува на температура од приближно 27°C и на суво место. Акумулаторот да се складира на приближно 30%-50% од состојбата на наполнетост. Акумулаторот повторно да се наполни на секои 6 месеци.

## Заштита од преоптоварување на батеријата за литиум-јонски батерии

При преоптеретување на батеријата како резултат на мошне висока потрошувачка на струја, на пример екстремно високи вртежни моменти, ненадејно стопирање или краток спој, електро-алатот вибрира 5 секунди, приказот за полнење трепка и електро-алатот самостојно се исклучува.

За повторно вклучување ослободете го притискачот на прекинувачот, а потоа повторно вклучете. Во случај на екстремни оптоварувања батеријата се загрева премногу. Во таков случај трепкаат сите ламбички од приказот за полнење сè додека батеријата не се излади. По гаснење на приказот за полнење може да се продолжи со работа.

## Транспорт на литиум-јонски батерии

Литиум-јонските батерии подлежат на законските одредби за транспорт на опасни материи.

Транспортот на овие батерии мора да се врши согласно локалните, националните и меѓународните прописи и одредби.

Потрошувачите на овие батерии може да вршат непречен патен транспорт на истите.

Комерцијалниот транспорт на литиум-јонски батерии од страна на шпедитерски претпријатија подлежат на одредбите за транспорт на опасни материи. Подготовките за шпедиција и транспорт треба да ги вршат исклучиво соодветно обучени лица. Целокупниот процес треба да биде стручно надгледуван.

При транспортот на батерии треба да се внимава на следното: Осигурајте се дека контактите се заштитени и изолирани, а сето тоа со цел да се избегнат кратки spoevi.

Внимавајте да не дојде до преместување на батериите во нивната амбалажа. Забранет е транспорт на оштетени или протечени литиум-јонски батерии. За понатамошни инструкции обратете се до Вашето шпедитерско претпријатие.

## РАБОТНИ УПАТСТВА

**Општо брусење со орбитални брусилки по случаен избор**  
Кога се користат орбитални брусилки по случаен избор, треба да се имаат на ум неколку работи:

- За разлика од повеќето брусилки, орбиталните брусилки по случаен избор треба да се постават на работниот материјал ПРЕД да се стартува алатот. Ако брусилката се стартува пред да се постави на работниот материјал, подлогата што лебди слободно може да се врти со брзина што може да предизвика гребнатини кога конечно ќе се постави на работниот материјал.
- За разлика од повеќето брусилки, орбиталните брусилки по случаен избор може да се поместуваат по работниот материјал во која било насока (во случај на дрво, без оглед на вертикалната насока).
- Променливиот притисок што се применува на брусилката ќе влијае на нејзината брзина на ротација. За фина работа, се препорачува лесен притисок, а за груба работа се препорачува умерен притисок. Прекумерниот притисок не дозволува доволно ротирање на подлогата.

• Држете ја подлогата за брусење рамна на работниот материјал. Наведнувањето на брусилката или користењето на работите на подлогата може да предизвика нерамномерна завршница и да го намали векот на траење на подлогата.

- Држете ја брусилката да се движи во широки и рамни потези по работниот материјал. Предолгото брусење на едно место може да предизвика издлабени и нерамномерни резултати.
- Проверувајте го работниот материјал често, орбиталните брусилки по случаен избор работат поагресивно од едноставните орбитални брусилки.

1. Поставете ја брусилката на работниот материјал и вклучете ја.
2. Држете ја плочата за брусење рамно на работниот материјал, држете ја брусилката да се движи по работниот материјал и користете долги, брзи потези.
3. Започнете со брусење со шмиргла со груби зрна и постепено користете сè пофини и пофини зрна од шмирглата додека не се постигне саканата завршница. На пример, кога ја користите брусилката на дрво, започнете со зрно 80, продолжете со зрно 120, потоа зрно 180 и така натаму.

## Отстранување боја или лак

1. Кога отстранувате неколку слоеви боја или лак, отстранувајте ги колку е можно повеќе со растворувач за боја или отстранувач на лак.
2. Изгребете ги остатоците со шпакла или друг алат за стругање и оставете ја површината да се олади и исуши пред да ја употребите брусилката на работниот материјал.
3. Изберете плоча за шмиргла со груби зрна како помош да се спречи затнување на шмирглата.
4. Држете ја брусилката да се движи по новите области за да се избегне загревање и смекнување на старата облога (боја или лак).
5. Работете во широки потези што се преклопуваат за да се создаде рамномерна завршница.
6. Како што работниот материјал почнува да се покажува низ старата облога, префрлете на плоча за шмиргла со средни зрна за да избегнете гребнење на површината на работниот материјал. Постепено префрлете на шмиргла со фини зрна додека не се постигне саканата завршница.

## ЧИШЕЊА

Вентилациските отвори на машината мора да бидат комплетно отворени постојано.

## ОДРЖУВАЊЕ

Користете само Milwaukee додатоци и резервни делови. Доколку некои од компонентите кои не се опишани треба да бидат заменети, Ве молиме контактирајте ги сервисните агенти на Milwaukee (консултирајте ја листата на адреси).

Доколку е потребно можно е да биде набавен детален приказ на алатот. Ве молиме наведете го бројот на артиклот како и типот на машина кој е отпечатан на етикетата и порачајте ја скицата кај локалниот застапник или директно кај: Techtronic Industries GmbH, Max-Eyth-Straße 10, 71364 Winnenden, Germany.

**СИМБОЛИ**

	Ве молиме пред да ја стартувате машината обрнете внимание на упатствата за употреба.
	<b>ВНИМАНИЕ! ПРЕДУПРЕДУВАЊЕ! ОПАСНОСТ!</b>
	Извадете го батерискиот склоп пред отпочнување на каков и да е зафат врз машината..
	Не употребувајте сила.
	Секогаш при користење на машината носете ракавици.
	Не ја вдишувајте. Носете соодветна заштитна маска.
	Дополнителна опрема - Не е вклучена во стандардната, а достапна е како додаток.
	Електричните апарати и батериите што се полнат не смеат да се фрлат заедно со домашниот отпад. Електричните апарати и батериите треба да се собираат одделно и да се однесат во соодветниот погон заради нивно фрлање во склад со начелата за заштита на околината. Информирајте се кај Вашите местни служби или кај специјализираниот трговски претставник, каде има такви погони за рециклажа и собирни станици.
$n_0$	Брзина без оптоварување
V	Напон
	Истосмерна струја
	Европска ознака за сообразност
	Британска ознака за сообразност
	Украинска ознака за сообразност
	Евроазиска ознака за сообразност

**ТЕХНИЧНИ ХАРАКТЕРИСТИКИ**

	M12 FDSS
Тип конструкції	Виброшліфувална машина
Номер výroby	4914 26 01 XXXXXX MJJJJ
Напруга знімної акумулаторної батареї	12 V =
Кількість обертів холостого ходу 1/2/3/4	0-8000 / 0-10000 / 0-12000 / 0-14000 min <sup>-1</sup>
Ø вібродиска	1,5 mm
Розміри шліфувальної пластини	88,8 x 63,5 mm
Вага згідно з процедурою EPTA 01/2014 (Li-Ion 2,0 Ah ... 6,0 Ah)	0,76 ... 1,00 kg
Температура навколишнього середовища, рекомендована для експлуатації	-18 ... +50 °C
Рекомендовані акумулатори	M12B...
Рекомендовані зарядні пристрої	C12C; M12C4; M12-18...
<b>Інформація про шум:</b> Виміряні значення визначені згідно з EN 62841.	
Рівень шуму "A" приладу становить в типовому випадку:	
Рівень звукового тиску / похибка K =	64,69 dB (A) / 3 dB (A)
Рівень звукової потужності / похибка K =	75,69 dB (A) / 3 dB (A)
<b>Використовувати засоби захисту органів слуху!</b>	
<b>Інформація щодо вібрації:</b> Сумарні значення вібрації (векторна сума трьох напрямків), встановлені згідно з EN 62841.	
Значення вібрації a <sub>v</sub> / похибка K =	4,3 m/s <sup>2</sup> / 1,5 m/s <sup>2</sup>

**⚠ ПОПЕРЕДЖЕННЯ!**

Заявлені значення шумового випромінювання, вказані в цьому інформаційному аркуші, було виміряно відповідно до стандартизованого випробування згідно з EN 62841 та можуть використовуватися для порівняння одного інструмента з іншим. Вони також можуть використовуватися для попередньої оцінки рівня впливу на організм.

Вказані значення вібрації та шумового випромінювання дійсні для основних областей застосування інструмента. Якщо інструмент використовується в інших областях застосування чи з іншим приладдям або не проходить належне обслуговування, значення вібрації та шумового випромінювання можуть відрізнятись. Це може суттєво збільшити рівень впливу на організм протягом загального періоду роботи.

Під час оцінки рівня впливу вібрації та шумового випромінювання на організм також необхідно враховувати періоди, коли інструмент вимкнено, чи коли він працює, але фактично не використовується для виконання роботи. Це може суттєво знизити рівень впливу на організм протягом загального періоду роботи.

Визначте додаткові заходи для захисту оператора від впливу вібрації та/або шуму, наприклад, обслуговування інструмента та його приладдя, зберігання рук у теплі, організація графіків роботи.

**⚠ ПОПЕРЕДЖЕННЯ!** Ознайомтеся з усіма вказівками щодо техніки безпеки, інструкціями, ілюстраціями та відомостями, що було надано разом із приладом. Недотримання наведених далі інструкцій може спричинити ураження електричним струмом, пожежу та/або тяжкі травми.

**Зберігайте всі вказівки з техніки безпеки та інструкції на майбутнє.**

**ДОДАТКОВІ ІНСТРУКЦІЇ З ТЕХНІКИ БЕЗПЕКИ ТА ЕКСПЛУАТАЦІЇ**

Частини тіла не повинні потрапляти в небезпечну область машини, коли вона працює. Не можна видаляти стружку або уламки, коли машина працює. Використовуйте індивідуальні засоби захисту. Під час роботи з машиною завжди носити захисні окуляри. Пил, що утворюється під час роботи, часто буває шкідливим для здоров'я; він не повинен потрапляти в організм. Використовувати засоби для відсмоктування пилу та додатково носити відповідну маску для захисту від пилу. Відкладення пилу ретельно видаляти, наприклад, пилососом. Негайно вимкнути прилад, якщо виникає помітна вібрація або інші небажані явища. Перевірте машину, щоб встановити причину.

Оброблювану заготовку необхідно міцно закріпити, якщо вона не тримається завдяки власній вазі. В зв'язку з небезпекою короткого замикання в вентиляційні отвори не повинні потрапляти металеві предмети.

**ПОПЕРЕДЖЕННЯ!** Для запобігання небезпеці пожежі в результаті короткого замикання, травмам і пошкодженню виробів не занурюйте інструмент, змінний акумулатор або зарядний пристрій у рідину і не допускайте потрапляння рідини всередину пристроїв або акумулаторів. Корозійні і струмопровідні рідини, такі як солоний розчин, певні хімікати, вибілювальні засоби або продукти, що їх містять, можуть призвести до короткого замикання.

Використовувати тільки оригінальний інструмент Milwaukee для шліфування та полірування на липучках.

Не відкривати знімні акумулаторні батареї і зарядні пристрої та зберігати їх лише в сухих приміщеннях. Берегти від вологи.

Знімні акумулаторні батареї системи M12 заряджати лише зарядними пристроями системи M12. Не заряджати акумулаторні батареї інших систем.

**ВИКОРИСТАННЯ ЗА ПРИЗНАЧЕННЯМ**

Шліфувальну машину можна використовувати для шліфування деревини, пластику, металу, шпаклівки та фарбованих поверхонь.

Не використовуйте цей продукт для будь-якої іншої мети; використовуйте його лише згідно зі вказаним цільовим призначенням.

**ЗАЛИШКОВІ НЕБЕЗПЕКИ**

Навіть при належному використанні не можна виключити всі залишкові ризики. При використанні можуть виникнути такі небезпеки, на які користувач повинен звернути особливу увагу:

- Травми внаслідок вібрації. Тримайте прилад за передбачені для цього руків'я і обмежуйте час роботи та експозиції.
- Шумовий вплив може погіршити слух. Носіть захисні навушники і обмежуйте тривалість експозиції.

- Травми очей, викликані частинками забруднень. Завжди надягайте захисні окуляри, щільні довгі штани, рукавиці і міцне взуття.
- Вдихання отруйного пилу.

## ВКАЗІВКИ ЩОДО ЛІТІЙ-ІОННИХ АКУМУЛЯТОРІВ

### Застосування літій-іонних акумуляторів

Знімну акумуляторну батарею, що не використовувалася тривалий час, перед використанням необхідно підзарядити.

Температура понад 50 °C зменшує потужність знімної акумуляторної батареї. Уникати тривалого нагрівання сонячними променями або системою обігріву.

З'єднувальні контакти зарядного пристрою та знімної акумуляторної батареї повинні бути чистими.

Для забезпечення оптимального строку експлуатації акумуляторної батареї після використання необхідно повністю зарядити.

Для забезпечення максимально можливого терміну експлуатації акумуляторної батареї після зарядки необхідно виймати з зарядного пристрою.

При зберіганні акумуляторної батареї понад 30 днів: Зберігати акумуляторну батарею при температурі приблизно 27 °C в сухому місці.

Зберігати акумуляторну батарею в стані зарядки приблизно 30-50 %.

Кожні 6 місяців заново заряджати акумуляторну батарею.

### Захист від перевантаження літій-іонних акумуляторів

У випадку перевантаження акумуляторної батареї внаслідок дуже високого споживання струму, наприклад, надмірно високого крутильного моменту, раптової зупинки або короткого замикання, електроінструмент вібрує 5 секунд, індикатор заряду блимає, електроінструмент самостійно вимикається.

Для повторного увімкнення відпустити кнопку вимикача і знов увімкнути. При надмірних навантаженнях акумуляторна батарея сильно перегрівається. В цьому випадку всі лампочки індикатора заряду блимають, доки акумуляторна батарея не охолоне. Можна продовжити роботу після того, як індикатор заряду згасне.

### Транспортування літій-іонних акумуляторних батарей

Літій-іонні акумуляторні батареї підпадають під заборону перевезення небезпечних вантажів.

Транспортування таких акумуляторних батарей повинно відбуватися із дотриманням місцевих, національних та міжнародних приписів та положень.

споживачі можуть без проблем транспортувати ці акумуляторні батареї по вулиці.

Комерційне транспортування літій-іонних акумуляторних батарей експедиторськими компаніями підпадає під положення про транспортування небезпечних вантажів. Підготовку до відправлення та транспортування можуть здійснювати виключно особи, які пройшли відповідне навчання. Весь процес повинні контролювати кваліфіковані фахівці.

При транспортуванні акумуляторних батарей необхідно дотримуватись зазначених далі пунктів:

Переконайтеся в тому, що контакти захищені та ізольовані, щоб запобігти короткому замиканню.

Слідкуйте за тим, щоб акумуляторна батарея не переміщувалася всередині упаковки. Пошкоджені акумуляторні батареї, або акумуляторні батареї, що потекли, не можна транспортувати. Для отримання подальших вказівок звертайтеся до своєї експедиторської компанії.

## ВКАЗІВКИ ЩОДО ЕКСПЛУАТАЦІЇ

### Загальні правила шліфування за допомогою машин із випадковою орбітою

Під час використання шліфувальних машин із випадковою орбітою необхідно пам'ятати декілька правил.

- На відміну від більшості шліфувальних інструментів машини

з випадковою орбітою необхідно встановлювати на заготовку ПЕРЕД запуском. Якщо шліфувальну машину запустити до розміщення на заготовці, вільно переміщувана пластина може обертатися зі швидкістю, яка може спричинити подрапини після початкового контакту з заготовкою.

- На відміну від більшості шліфувальних інструментів машини з випадковою орбітою можна переміщувати по заготовці в будь-якому напрямку (під час роботи з деревом — незалежно від напрямку волокон).
  - Ступінь притискання шліфувальної машини впливає на її швидкість обертання. Для тонкої роботи рекомендується легке притискання, для грубої роботи — помірне. У разі надмірного притискання пластина не зможе обертатися з достатньою швидкістю.
  - Тримайте шліфувальну пластину на заготовці рівно. Шліфування під кутом або краями пластини може призвести до нерівностей та скоротити термін служби пластини.
  - Переміщуйте шліфувальну машину широкими рівними смугами по заготовці. Занадто довге шліфування в одному місці може створити виїмку в поверхні та призвести до нерівномірної обробки.
  - Часто перевіряйте заготовку, оскільки шліфувальні машини з випадковою орбітою працюють більш агресивно, ніж звичайні орбітальні машини.
1. Покладіть шліфувальну машину на заготовку й увімкніть шліфувальну машину.
  2. Тримайте шліфувальний папір на заготовці в рівному положенні, переміщуйте шліфувальну машину від краю до краю заготовки та виконуйте обробку широкими смугами.
  3. Спочатку шліфуйте грубозернистим наждачним папером і поступово зменшуйте зернистість використовуючого паперу до досягнення бажаного результату. Наприклад, якщо ви використовуєте шліфувальну машину для деревини, почніть з зернистості 80, потім шліфуйте з зернистістю 120, потім — з зернистістю 180 і так далі.

### Зняття фарби та лаку

1. Якщо вам необхідно зняти декілька шарів фарби або лаку, видаліть якомога більше за допомогою розчинника для фарби або засобу для зняття лаку.
2. Видаліть залишки шпателем або іншим інструментом для зіскрібання та дайте поверхні охолонути та висохнути, перш ніж оброблювати заготовку шліфувальною машиною.
3. Щоб запобігти засміченню наждачного паперу, вибирайте крупнозернистий папір.
4. Щоб уникнути нагрівання та розм'якшення старого покриття (фарби або лаку), уникайте тривалого шліфування на одному місці.
5. Щоб досягти рівномірної обробки, працюйте широкими смугами внапуск.
6. Коли на заготовці почне проступати старе покриття, перейдіть на наждачний папір середньої зернистості, щоб уникнути подрапин на поверхні заготовки. Поступово зменшуйте зернистість паперу до досягнення бажаного результату.

## ЧИСТКА

Завжди підтримувати чистоту вентиляційних отворів.

## ОБСЛУГОВУВАННЯ

Використовувати тільки комплектуючі та запчастини Milwaukee. Деталі, заміна яких не описується, замінювати тільки в відділі обслуговування клієнтів Milwaukee (зверніть увагу на брошуру "Гарантія / адреси сервісних центрів").

У разі необхідності можна запросити креслення з зображенням вузлів машини в перспективному вигляді, для цього потрібно звернутися в ваш відділ обслуговування клієнтів або безпосередньо в Techtronic Industries GmbH, Max-Eyth-Str. 10, 71364 Winnenden, Німеччина, та вказати тип машини та шестизначний номер на фірмовій таблиці з даними машини.

## СИМВОЛИ

	Уважно прочитайте інструкцію з експлуатації перед введенням приладу в дію.
	УВАГА! ПОПЕРЕДЖЕННЯ! НЕБЕЗПЕЧНО!
	Перед будь-якими роботами на приладі вийняти змінну акумуляторну батарею.
	Не застосовувати силу.
	Під час роботи з машиною завжди носити захисні окуляри.
	Носити відповідну маску для захисту від пилу.
	Комплектуючі - не входять в обсяг постачання, рекомендовані доповнення з програми комплектуючих.
	Електроприлади, батареї/акумулятори заборонено утилізувати разом з побутовим сміттям. Електричні прилади і акумулятори слід збирати окремо і здавати в спеціалізовану компанію для утилізації відповідно до норм охорони довкілля. Зверніться до місцевих органів або до вашого дилера, щоб отримати адреси пунктів вторинної переробки та пунктів прийому.
$n_0$	Кількість обертів холостого ходу
$v$	Напруга
	Постійний струм
	Європейський знак відповідності
	Британський знак відповідності
	Український знак відповідності
	Євразійський знак відповідності



البيانات الفنية
الطراز
إنتاج عدد
فرطلية البطارية
أقصى سرعة دون وجود حمل 1/2/3/4
قَطَر الحركة المدارية
إبعاد لوحة الجلب
الوزن وفقا لنهج EPTA رقم 01/2014
(Li-Ion 2,0 Ah ... 6,0 Ah)
درجة حرارة البيئة المحيطة المنصوح بها من أجل التشغيل
البطاريات المنصوح بها
جهاز الشحن المنصوح به
<b>معلومات الضوضاء:</b> القيم التي تم قياسها محددة وفقا للمعايير الأوروبية EN 62841
مستويات ضوضاء الجهاز، ترجيحاً بشكل نموذجي كالتالي:
مستوى ضغط الصوت / الارتياح في القياس
مستوى شدة الصوت / الارتياح في القياس
<b>ارتد وقياس الأثر!</b>
<b>معلومات الاهتزاز:</b> قيم الذبذبات الإجمالي (مجموع الكميات الموجبة في المحاور الثلاثة) محددة وفقا للمعايير الأوروبية EN 62841
قيمة انبعاث الذبذبات $a_{hv}$ / الارتياح في القياس

## تحذير!

تم قياس مستوى الاهتزاز وانبعاث الضوضاء الوارد في ورقة المعلومات هذه، وفقاً لاختبار قياسي محدد في المواصفة EN 62841، ويمكن استخدامه لمقارنة آلة مع أخرى. كما يمكن استخدام ذلك أيضاً في إجراء تقييم أولي للتعرض.

يمثل مستوى الاهتزاز وانبعاث الضوضاء المعطن عنه الاستخدامات الأساسية للآلة. ومع ذلك، إذا استعملت الآلة في استخدامات مختلفة، أو بمحركات مختلفة، أو تم صيانتها على نحو سيئ، فقد يختلف مستوى الاهتزاز وانبعاث الضوضاء. وهذا قد يزيد -إلى حد كبير- من مستوى التعرض خلال مدة العمل الإجمالية.

عند تقييم مستوى التعرض للاهتزاز والضوضاء، ينبغي أيضاً أن يوضع في الاعتبار فترات إطفاء الآلة أو تشغيلها دون أن تقوم بأي وظيفة فعلياً. فهذا قد يقلل -إلى حد كبير- من مستوى التعرض خلال مدة العمل الإجمالية.

إتعرف على تدابير السلامة الإضافية؛ لحماية المشغل من تأثيرات الاهتزاز أو الضوضاء أو كليهما، مثل: صيانة الآلة وملحقاتها، والحفاظ على دفعه اليدين، وتنظيم نماذج العمل.

## تحذير!

اقرأ جميع تعليمات السلامة والإرشادات والشروح والبيانات المرفقة مع الجهاز. قد يؤدي عدم مراعاة التعليمات المدرجة أدناه إلى التعرض للإصابة بصدمة كهربائية أو الحريق و/ أو إصابة خطيرة.

### احتفظ بجميع التنبيهات والتعليمات للرجوع إليها مستقبلاً.

#### إرشادات أمان وعمل إضافية

لا تصل أبداً إلى منطقة الخطر للآلة عندما تكون قيد التشغيل. لا يجب إزالة النشارة والشظايا أثناء تشغيل الآلة. استخدم عدة الوقاية. ارتد دائماً نظارة الوقاية عند العمل بالآلة. قد تكون الأثرية الناتجة عن استخدام هذه الآلة ضارة بالصحة. لا تستنشق هذه الأثرية. استخدم نظام امتصاص الأثرية وارتد قناعاً واقياً من الأثرية مناسباً. قم بإزالة الأثرية الموجودة تماماً، باستخدام المكتسة الكهربائية على سبيل المثال.

قم بإيقاف تشغيل الماكينة مباشرة في حالة حدوث اهتزازات شديدة أو غير ذلك من أعطال التشغيل. افحص الماكينة للتعرف على السبب.

قطعة التصنيع التي يجب معالجتها يجب أن تكون مثبته، طالما أنها لن تكون ثابتة من خلال وزنها. لا تدع أي جزء معدنية تلمس فتحات التهوية - خطر قصر الدائرة!

تحذير! تحذير! لتجنب أخطار الحريق أو الإصابة أو الإضرار بالمنتج التي تنجم من الماس الكهربائي، لا تُغمر الأداة أو البطارية القابلة للاستبدال أو جهاز الشحن في السوائل وأحرص على أن لا تصل السوائل إلى داخل الجهاز والبطارية. السوائل المؤذية للتآكل أو الموصلية للتيار الكهربائي، مثل الماء المالح ومركبات كيميائية معينة ومواد التبييض أو المنتجات التي تتضمن على مواد تبييض، يمكن أن تؤدي إلى حدوث ماس كهربائي.

استخدم آلات الصنفرة والتلميع Milwaukee الأصلية المزودة بأدوات الربط وفيلكو ذاتية الالتصاق.

لا تقم أبداً بفتح قفل البطارية والشواحن ولا تخزنهم إلا في غرف جافة. وحافظ عليها جاف طوال الوقت.

استخدم فقط شواحن System M12 لشحن بطاريات System M12. لا تستخدم بطاريات من أنظمة أخرى.

#### شروط الاستخدام المحددة

يمكن استخدام جهاز السنفرة لغرض سنفرة الخشب والبلاستيك والمعدن والحشوات والأسطح المطلية.

لا تستخدم المنتج بأي طريقة غير الموضحة للاستخدام المقصود.

M12 FDSS
صنفرة متذبذبة
4914 26 01 XXXXXX MJJJJ
$V = 12$
$0-8000 / 0-10000 / 0-12000 / 0-14000 \text{ min}^{-1}$
1,5 mm
88,8 x 63,5 mm
0,76 ... 1,00 kg
-18 ... +50 °C
M12B...
C12C; M12C4; M12-18...
64,69 dB (A) / 3 dB (A)
75,69 dB (A) / 3 dB (A)
4,3 m/s <sup>2</sup> / 1,5 m/s <sup>2</sup>

#### نقل بطاريات الليثيوم

تخضع بطاريات الليثيوم أيون لشروط قوانين نقل السلع الخطرة.

ويجب نقل هذه البطاريات وفقاً للأحكام والقوانين المحلية والوطنية والدولية.

يمكن للمستخدم نقل البطاريات برأ دون الخضوع لشروط أخرى.

يخضع النقل التجاري لبطاريات الليثيوم أيون عن طريق الغير إلى قوانين نقل السلع الخطرة. يتعين أن يقوم أفراد مدربون جيداً بالإعداد لعملية النقل والقيام بها بصحة خبراء مثلهم.

متى تُنقل البطاريات:

عند التأكد من حماية أطراف توصيل البطارية وعزلها تجنباً لحدوث قصر بالدائرة.

عند التأكد من حماية خزمة البطارية من الحركة داخل صندوق التعبئة. يُرجى عدم نقل البطاريات التي بها تشققات أو تسربات. يُرجى البحث مع شركة الشحن عن نصيحة أخرى

#### تصليح العمل

##### السنفرة بوجه عام باستخدام أجهزة السنفرة المدارية العشوائية

عند استخدام أجهزة السنفرة المدارية العشوائية هناك بعض الأشياء التي يجب وضعها في الاعتبار:

- بخلاف معظم أجهزة السنفرة، يجب وضع أجهزة السنفرة المدارية العشوائية على قطعة الشغل "قبل" بدء تشغيل الآلة. وإذا تم تشغيل جهاز السنفرة قبل وضعه على قطعة الشغل، فقد تندر البطانة العائمة الحرة بسرعة يمكن أن تسبب خدوشاً عند وضعها أخيراً على قطعة الشغل.
- بخلاف معظم أجهزة السنفرة، يمكن تحريك أجهزة السنفرة المدارية العشوائية عبر قطعة الشغل في أي اتجاه (وفي حالة الخشب، بغض النظر عن اتجاه تجزيع الخشب).
- قوة الضغط المتغيرة المطبقة على جهاز السنفرة ستؤثر على سرعة دورانها. يُنصح باستخدام قوة ضغط خفيفة لمهام السنفرة الناعمة، وقوة ضغط متوسطة لمهام السنفرة الخشنة. إذ أن قوة الضغط المفرطة لا تسمح للبطانة بالدوران بدرجة كافية.
- احتفظ ببطانة السنفرة مسطحة على قطعة الشغل. إمالة جهاز السنفرة أو استخدام حواف البطانة قد يؤدي إلى تشطيب غير متساو وتقليل عمر البطانة.
- استمر في تحريك جهاز السنفرة في أشواط عريضة متساوية عبر قطعة الشغل. حيث إن السنفرة في موضع واحد لفترة أطول من اللازم يمكن أن يتسبب في حدوث تقوير وتنتاج سنفرة غير متساوية.
- افحص قطعة الشغل بشكل متكرر، فأجهزة السنفرة المدارية العشوائية تعمل بنهم أكبر من أجهزة السنفرة المدارية البسيطة.

1. ضع جهاز السنفرة على قطعة الشغل وشغلّ جهاز السنفرة.
2. احتفظ بلوح السنفرة مسطحاً على قطعة الشغل، واستمر في تحريك جهاز السنفرة عبر قطعة الشغل، واستخدم أشواط مسح طويلة.
3. ابدأ السنفرة بورق سنفرة بحبيبات خشنة واستخدم تدريجياً ورق سنفرة بحبيبات ناعمة أكثر. فاكتر حتى الوصول إلى مستوى التشطيب المرغوب. على سبيل المثال، عند استخدام جهاز السنفرة على الخشب، ابدأ بورق سنفرة بحبيبات 80 متبوعاً بورق بحبيبات 120، ثم ورق بحبيبات 180 وهكذا.

#### إزالة الطلاء أو الورنيش

1. عند إزالة عدة طبقات من الطلاء أو الورنيش، أحرص على إزالة أكبر قدر ممكن باستخدام منيب الطلاء أو مزبل الورنيش.
2. اكتشط القايا بسكين معجون أو أي أداة كشط أخرى واثرك السطح ببرد ويجف قبل استخدام جهاز السنفرة على قطعة الشغل.
3. اختر لوح ورق سنفرة بحبيبات خشنة للمساعدة في منع معوقة ورق السنفرة.
4. استمر في تحريك جهاز السنفرة فوق مناطق جديدة لتجنب تسخين وتنعيم طبقة الطلاء القديمة (الطلاء أو الورنيش).
5. اعمل في أشواط عريضة ومتراكبة للحصول على مستوى تشطيب متساو.
6. عندما يبدأ سطح قطعة الشغل في الظهور بعد إزالة طبقة الطلاء القديمة، بدل إلى لوح ورق سنفرة بحبيبات متوسطة لتجنب خدش سطح قطعة الشغل. بدل تدريجياً إلى ورق سنفرة بحبيبات ناعمة حتى تحصل على مستوى التشطيب المرغوب.

#### التنظيف

يجب أن تكون فتحات تهوية الجهاز نظيفة طوال الوقت.

#### الصيانة

استخدم فقط ملحقات ميلوكي وكذلك قطع غيار ميلوكي. إذا كانت المكونات التي يجب تغييرها غير متوفرة، يرجى الاتصال بأحد عملاء صيانة ميلوكي (انظر قائمة عناوين الضمان/الصيانة الخاصة بنا).

عند الحاجة يمكن طلب رمز انفجار الجهاز بعد ذكر طراز الآلة والرقم السداسي المذكور على بطاقة طاقة الآلة لتدعى جهة خدمة العملاء أو مباشرة لدى شركة

Techtronic Industries GmbH

Max-Eyth-Straße 10

Winnenden 71364

ألمانيا

#### الرموز

يرجى قراءة التعليمات بعناية قبل بدء تشغيل الجهاز.	
تنبيه! تحذير! خطر!	
ارتدع البطارية قبل التعامل مع الجهاز..	
لا تستخدم القوة	
ارتد دائماً نظارات الوقاية عند استخدام الجهاز.	
لا تستنشق هذه الأثرية. ارتد قناعاً واقياً من الأثرية مناسباً.	
الملح - ليس مدرجاً كمعدة قياسية، متوفر كملحق.	
يحظر التخلص من الأجهزة الكهربائية والبطاريات/البطاريات القابلة للشحن في القمامة المنزلية. يجب جمع الأجهزة الكهربائية والبطاريات القابلة للشحن منفصلة وتسليمها للتخلص منها بشكل لا يضر بالبيئة لدى شركة إعادة استغلال. الرجاء الاستفسار لدى الهيئات المحلية أو لدى التجار المتخصصين عن مواقع إعادة الاستغلال ومواقع الجمع.	
أقصى سرعة دون وجود حمل	$n_0$
الجهد الكهربائي	$V$
التيار المستمر	
علامة التوافق الأوروبية	
علامة التوافق البريطانية	
علامة التوافق الأوكرانية	
علامة التوافق الأوروبية الآسيوية	

## EC DECLARATION OF CONFORMITY

We declare as the manufacturer under our sole responsibility that the product described under "Technical Data" fulfills all the relevant regulations and directives listed below and that the following harmonized standards have been used.

## EG-KONFORMITÄTSEKLERUNG

Wir erklären als Hersteller in alleiniger Verantwortung, dass das unter „Technische Daten“ beschriebene Produkt alle nachstehend aufgeführten relevanten Verordnungen und Richtlinien erfüllt und dass die folgenden harmonisierten Normen angewandt wurden.

## DÉCLARATION CE DE CONFORMITÉ

Nous déclarons en tant que fabricant et sous notre seule responsabilité, que le produit décrit dans « Données techniques » est conforme à toutes les réglementations et directives pertinentes mentionnées ci-après et que les normes harmonisées suivantes ont été appliquées.

## DICHIARAZIONE CE DI CONFORMITÀ

In qualità di produttore dichiariamo sotto la nostra esclusiva responsabilità che il prodotto descritto nei "Dati tecnici" è conforme a tutti i regolamenti e tutte le direttive pertinenti elencati qui di seguito e che sono state usate le seguenti norme armonizzate.

## DECLARACIÓN CE DE CONFORMIDAD

Declaramos como fabricante y bajo nuestra responsabilidad que el producto descrito bajo "Datos técnicos" está en conformidad con todos los reglamentos y directivas detallados a continuación y que se han utilizado las siguientes normas armonizadas.

## DECLARAÇÃO CE DE CONFORMIDADE

Como fabricante, declaramos sob responsabilidade exclusiva, que o produto descrito sob "Dados Técnicos" corresponde com todos os regulamentos e diretivas abaixo que as seguintes normas harmonizadas foram utilizadas.

## EG-VERKLARING VAN OVEREENSTEMMING

Wij als fabrikant verklaren in uitsluitende verantwoording dat het onder "Technische gegevens" beschreven product aan alle onderstaand vermelde relevante verordeningen en richtlijnen voldoet en dat de volgende geharmoniseerde normen werden toegepast.

## EF-OVERENSSTEMMELSESERKLÆRING

Vi erklærer som producent og eneansvarlig, at produktet, der er beskrevet under "Tekniske data", opfylder kravene i alle relevante forordninger og direktiver som nævnt nedenfor og at nedenstående harmoniserede standarder er blevet anvendt.

## EF-SAMSVARSERKLÆRING

Som producent erklærer vi under eget ansvar at produktet som beskrives under « Teknisk data » opfylder alle relevante forordninger og direktiver som står opført nedenfor og at de følgende harmoniserede standarder har blitt brukt.

## EG-FÖRSÄKRAN ÖVERENSSTÄMMELSE

Vi som tillverkare förklarar under eget ansvar, att den produkt som beskrivs under "Tekniska data" överensstämmer med alla de nedan angivna relevanta förordningarna och direktiven och att de följande harmoniserade normen har tillämpats.

## EY-VAATIMUSTENMUKAISUUSVAKUUTUS

Vakuutamme valmistajan ominaisuudessa yksinvastuullisesti, että kohdassa "Tekniset tiedot" kuvattu tuote täyttää kaikki seuraavassa luetellut sitä koskevat asetukset ja direktiivit ja että seuraavia harmonisoituja standardeja on sovellettu.

## ΑΝΑΩΣΗ ΣΥΜΜΟΡΦΩΣΗΣ ΕΚ

Ως κατασκευαστής δηλώνουμε υπεύθυνα ότι το προϊόν που περιγράφεται στο κεφάλαιο «Τεχνικά Χαρακτηριστικά», πληροί όλους τους κανονισμούς κι όλες τις οδηγίες που αναφέρονται σχετικά παρακάτω, και για το οποίο έχουν εφαρμοστεί τα ακόλουθα εναρμονισμένα πρότυπα.

## AT UYGUNLUK BEYANI

Üretici sıfatıyla tek sorumlu olarak "Teknik Veriler" bölümünde tarif edilen ürünün aşağıda sıralanan bütün ilgili yönetmelik ve direktiflere uygun olduğunu ve aşağıdaki uyumlaştırılmış standartların kullanılıldığını beyan etmekteyiz.

## ES PROHLÁŠENÍ O SHODĚ

My jako výrobce prohlašujeme na svou vlastní odpovědnost, že produkt popsáný v části „Technické údaje“ splňuje všechna příslušná nařízení a směrnice uvedené níže a že byly použity následující harmonizované normy.

## ES VYHLÁŠENIE O ZHODE

My ako výrobca vyhlasujeme na vlastnú zodpovednosť, že produkt popísaný v časti „Technické údaje“ spĺňa všetky príslušné nariadenia a smernice uvedené nižšie a že boli použité nasledujúce harmonizované normy.

## DEKLARACJA ZGODNOŚCI WE

Jako producent oświadczamy na naszą wyłączną odpowiedzialność, że produkt opisany w punkcie „Dane techniczne” odpowiada wszystkim późszym istotnym rozporządzeniom oraz dyrektywom, a także iż zastosowano poniższe zharmonizowane normy.

## EK-MEGFELELŐSÉGI NYILATKOZAT

Gyártóként egyedüli felelősséggel kijelentjük, hogy a „Műszaki Adatok” alatt leírt termék megfelel a következőkben felsorolt minden releváns rendeletnek és irányelvnek, és hogy a következők harmonizált szabványok kerültek használatra.

## ES-IZJAVA O SKLADNOSTI

Mi kao proizvođač izjavljujemo na osobnu odgovornost, da je proizvod, opisan pod "Tehnički podaci", sukladan sa svim relevantnim propisima i u nastavku navedenim smjericama i harmoniziranim normativima dokumenata.

## IZJAVA O SUKLADNOSTI

Mi kao proizvođač izjavljujemo na osobnu odgovornost, da proizvod opisan pod "Tehnički podaci", ispunjava sve u nastavku navedene relevantne odredbe i smjernice i da su sljedeće harmonizirane norme bile primijenjene.

## EK ATBILSTĪBAS DEKLARĀCIJA

Mēs kā ražotājs un vienīgā atbildīgā persona apliecinām, ka "Tehniskajos datos" raksturotais produkts atbilst visiem attiecīgajiem noteikumiem un vadlīnijām, kas uzskaitītas turpmāk, un ka ir izmantoti šādi saskaņotie standarti.

## EB ATITIKTIES DEKLARACIJA

Gamintojo vardu atsakingai pareiškiami, kad gaminys, aprašytas skyriuje „Techniniai duomenys“, atitinka visus toliau išvardytus susijusių reglamentų, direktyvų ir darniųjų standartų taikomus reikalavimus.

## EÜ VASTAVUSDEKLARATSIOON

Kinnitame tootjana ainuiskuliselt vastutades, et jaotises „Tehnilised andmed“ kirjeldatud toode on kooskõlas allpool nimetatud direktiivide asjaomaste eeskirjade ja ühtlustatud normdokumentidega ning et on kasutatud järgmisi ühtlustatud standardeid.

## ДЕКЛАРАЦИЯ СООТВЕТСТВИЯ ЕС

Мы как производитель под собственную ответственность заявляем о том, что описанное в разделе «Технические характеристики» изделие отвечает всем нижеперечисленным соответствующим предписаниям и директивам и что в отношении него применяются следующие гармонизированные стандарты.

## DEKLARACIJA ZA СЪОТВЕТСТВИЕ НА ЕО

V качестве то си на производител декларираме на собствена отговорност, че продуктът, описан в „Технически данни“, отговаря на всички изброени по-нататък приложими регламенти и директиви и че са използвани посочените хармонизирани стандарти.

## DECLARAȚIE DE CONFORMITATE CE

În calitate de producător declarăm pe propria răspundere că produsul descris la "Date tehnice" este în concordanță cu toate regulamentele și directivele relevante de mai jos și că au fost utilizate următoarele norme armonizate.

## EK-DEKLARACIJA ZA SOOBRAZNOT

Kako proizvođač, izjavjuvamo pod celopisna odgovornost дека производот опишан во „Технички податоци“ подолу е во согласност со сите релевантни одредби и регулативи наведени подолу и дека се користени следниве усогласени стандарди.

## ДЕКЛАРАЦИЯ ЕС ПРО ВІДПОВІДНІСТЬ

Як виробник, ми заявляємо на власну відповідальність, що виріб, описаний у розділі "Технічних даних", відповідає всім застосовним положенням директив і приписам перерахованим нижче, і що щодо нього були використані наступні гармонізовані стандарти.

إقرار المطابقة وفقاً للمواصفات الاتحاد الأوروبي بموجب هذا نعلن كشركة منتجة وعلى مسؤوليتنا المنفردة، أن المنتج الموصوف تحت "البيانات الفنية" يطابق جميع الأوامر والتوجيهات الهامة المذكورة فيما يلي وقد جرى فيها استخدام معايير التوافق التالية.

2011/65/EU (RoHS)

2014/30/EU

2006/42/EC

EN 62841-1:2015

EN 62841-2-4:2014

EN IEC 55014-1:2021

EN IEC 55014-2:2021

EN IEC 63000:2018

Winnenden, 2022-01-21

Alexander Krug  
Managing Director



Authorized to compile the technical file

Bevollmächtigt die technischen Unterlagen zusammenzustellen.

Autorisé à compiler la documentation technique.

Autorizzato alla preparazione della documentazione tecnica

Autorizado para la redacción de los documentos técnicos.

Autorizado a reunir a documentação técnica.

Gemachtigd voor samenstelling van de technische documenten

Autoriseret til at udarbejde de tekniske dokumenter.

Autoriseret til å utarbeide den tekniske dokumentasjonen

Befullmäktigad att sammanställa teknisk dokumentation.

Valtuutettu kokoamaan tekniset dokumentit.

Εξουσιοδοτημένος να συντάξει τον τεχνικό φάκελο.

Teknik evrakları hazırlamakla görevlendirilmiştir.

Zplnomocněn k sestavování technických podkladů.

Splnomocnený zostaviť technické podklady.

Upełnomocniony do zestawienia danych technicznych

Műszaki dokumentáció összeállításra felhatalmazva

Pooblaščen za izdelavo spisov tehnične dokumentacije.

Ovlašten za formiranje tehničke dokumentacije.

Pilnvarotais tehnikās dokumentācijas sastādīšanā.

Igalīotās parengti tehnius dokumentus.

On volitatud koostama tehnilist dokumentatsiooni.

Уполномочен на составление технической документации.

Упълномощен за съставяне на техническата документация

Ïmputernic să elaboreze documentația tehnică.

Ополномоштен за составување на техничката документација.

Уповноважений із складання технічної документації.

معمتدة للمطابقة مع الملف الفني

Techtronic Industries GmbH

Max-Eyth-Straße 10

71364 Winnenden

Germany

## GB-DECLARATION OF CONFORMITY

We declare as the manufacturer under our sole responsibility that the product described under "Technical Data" fulfills all the listed below relevant regulations and that the following designated standards have been used.

S.I. 2012/3032 (as amended)

S.I. 2016/1091 (as amended)

S.I. 2008/1597 (as amended)

BS EN 62841-1:2015

BS EN 62841-2-4:2014

BS EN IEC 55014-1:2021

BS EN IEC 55014-2:2021

BS EN IEC 63000:2018

Winnenden, 2022-01-21

Alexander Krug  
Managing Director

Techtronic Industries GmbH

Max-Eyth-Straße 10

71364 Winnenden

Germany

Authorized to compile the technical file:

Techtronic Industries (UK) Ltd

Parkway

Marlow, SL7 1YL

UK

Copyright 2022  
Techtronic Industries GmbH  
Max-Eyth-Straße 10  
71364 Winnenden  
Germany  
+49 (0) 7195-12-0  
[www.milwaukeeetool.eu](http://www.milwaukeeetool.eu)

Techtronic Industries (UK) Ltd  
Parkway  
Marlow, SL7 1YL  
UK

(01.22)  
**4931 4251 19**