

# Milwaukee®

Nothing but **HEAVY DUTY**®



## **M12 FIR14LR** **M12 FIR38LR**

Original instructions

Originalbetriebsanleitung

Notice originale

Istruzioni originali

Manual original

Oorspronkelijke gebruiksaanwijzing

Original brugsanvisning

Original bruksanvisning

Bruksanvisning i original

Alkuperäiset ohjeet

Πρωτότυπο οδηγιών χρήσης

Orijinal işletme talimatı

Původním návodem k používání

Pôvodný návod na použitie

Instrukcja oryginalną

Eredeti használati utasítás

Izvirna navodila

Originalne pogonske upute

Instrukcijām oriģinālvalodā

Originalni instrukcija

Algupärane kasutusjuhend

Оригинальное руководство по эксплуатации

Оригинално ръководство за експлоатация

Instrucțiuni de folosire originale

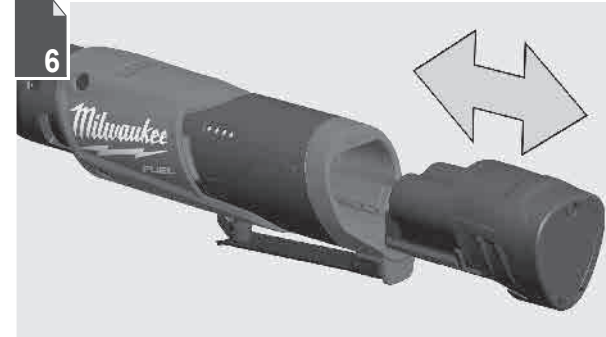
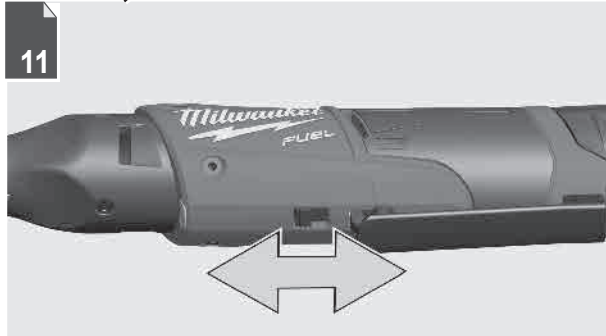
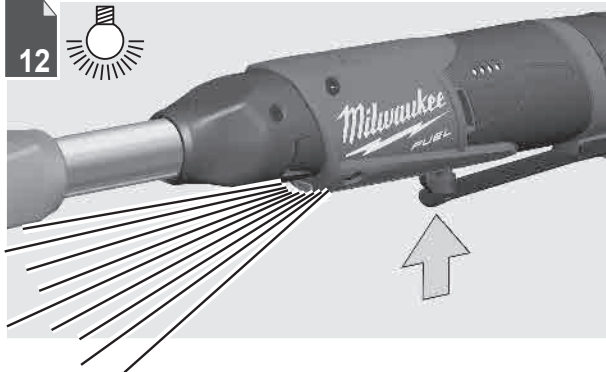
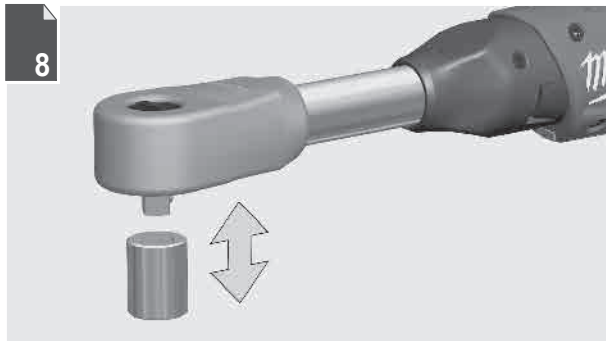
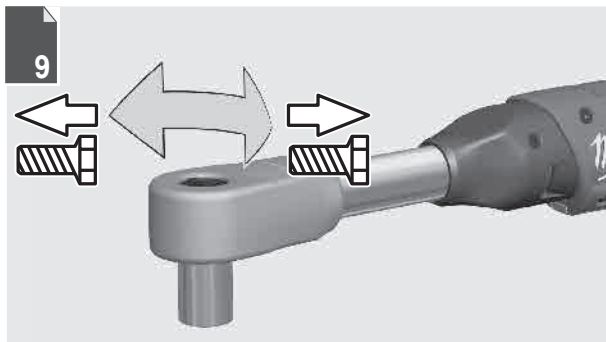
Оригинален прирачник за работа

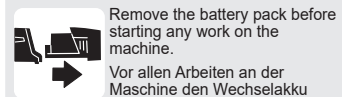
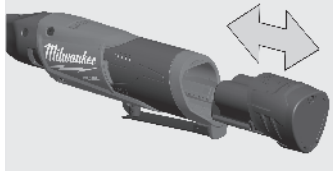
Оригінал інструкції з експлуатації

التعليمات الأصلية

<b>ENGLISH</b>		Picture section with operating description and functional description	<b>4</b>
<b>DEUTSCH</b>		Bildteil mit Anwendungs- und Funktionsbeschreibungen	<b>4</b>
<b>FRANÇAIS</b>		Partie imagée avec description des applications et des fonctions	<b>4</b>
<b>ITALIANO</b>		Sezione illustrata con descrizione dell'applicazione e delle funzioni	<b>4</b>
<b>ESPAÑOL</b>		Sección de ilustraciones con descripción de aplicación y descripción funcional	<b>4</b>
<b>PORTUGUES</b>		Parte com imagens explicativas contendo descrição operacional e funcional	<b>4</b>
<b>NEDERLANDS</b>		Beeldgedeelte met toepassings- en functiebeschrijvingen	<b>4</b>
<b>DANSK</b>		Billedel med anvendelses- og funktionsbeskrivelser	<b>4</b>
<b>NORSK</b>		Billedel med bruks- og funksjonsbeskrivelse	<b>4</b>
<b>SVENSKA</b>		Bilddel med användnings- och funktionsbeskrivning	<b>4</b>
<b>SUOMI</b>		Kuvasivut käyttö- ja toimintakuvaukset	<b>4</b>
<b>ΕΛΛΗΝΙΚΑ</b>		Τμήμα εικόνων με περιγραφές χρήσης και λειτουργίας	<b>4</b>
<b>TÜRKÇE</b>		Resim bölümü Uygulama ve fonksiyon açıklamaları ile birlikte	<b>4</b>
<b>ČESKY</b>		Obrazová část s popisem aplikací a funkcí	<b>4</b>
<b>SLOVENSKY</b>		Obrazová část s popisom aplikácií a funkcií	<b>4</b>
<b>POLSKI</b>		Część rysunkowa z opisami zastosowania i działania	<b>4</b>
<b>MAGYAR</b>		Képes részalkalmazási- és működési leírásokkal	<b>4</b>
<b>SLOVENSKO</b>		Del slike z opisom uporabe in funkcij	<b>4</b>
<b>HRVATSKI</b>		Dio sa slikama opisima primjene i funkcija	<b>4</b>
<b>LATVISKI</b>		Attēla daļa ar lietošanas un funkciju aprakstiem	<b>4</b>
<b>LIETUVIŠKAI</b>		Paveikslėlio dalis su vartojimo instrukcija ir funkcijų aprašymais	<b>4</b>
<b>EESTI</b>		Pildiosa kasutusjuhendi ja funktsioonide kirjeldusega	<b>4</b>
<b>РУССКИЙ</b>		Раздел иллюстраций с описанием эксплуатации и функций	<b>4</b>
<b>БЪЛГАРСКИ</b>		Част със снимки с описание за приложение и функции	<b>4</b>
<b>ROMÂNIA</b>		Secvența de imagine cu descrierea utilizării și a funcțiilor	<b>4</b>
<b>МАКЕДОНСКИ</b>		Дел со сликисо описи за употреба и функционирање	<b>4</b>
<b>УКРАЇНСЬКА</b>		Частина з зображеннями з описом робіт та функцій	<b>4</b>
<b>عربي</b>		قسم الصور يوجد به الوصف التشغيلي والوظيفي	<b>4</b>

Text section with Technical Data, important Safety and Working Hints and description of Symbols	<b>14</b>
Textteil mit Technischen Daten, wichtigen Sicherheits- und Arbeitshinweisen und Erklärung der Symbole.	<b>16</b>
Partie textuelle avec les données techniques, les consignes importantes de sécurité et de travail ainsi que l'explication des pictogrammes.	<b>18</b>
Sezione testo con dati tecnici, importanti informazioni sulla sicurezza e sull'utilizzo, spiegazione dei simboli.	<b>20</b>
Sección de texto con datos técnicos, indicaciones importantes de seguridad y trabajo y explicación de los símbolos.	<b>22</b>
Parte com texto explicativo contendo Especificações técnicas, Avisos de segurança e de operação e a Descrição dos símbolos.	<b>24</b>
Tekstgedeelte met technische gegevens, belangrijke veiligheids- en arbeidsinstructies en verklaring van de symbolen.	<b>26</b>
Tekstdel med tekniske data, vigtige sikkerheds- og arbejdsanvisninger og symbolforklaring.	<b>28</b>
Tekstdel med tekniske data, viktige sikkerhets- og arbeidsinstruksjoner og forklaring av symbolene.	<b>30</b>
Textdel med tekniska informationer, viktiga säkerhets- och användningsinstruktioner samt symbolförklaringar.	<b>32</b>
Tekstisivut: tekniset tiedot, tärkeät turvallisuus- ja työskentelyohjeet sekä merkien selitykset.	<b>34</b>
Τμήμα κειμένου με τεχνικά χαρακτηριστικά, σημαντικές υποδείξεις ασφαλείας και εργασίας και εξήγηση των συμβόλων.	<b>36</b>
Teknik bilgileri, önemli güvenlik ve çalışma açıklamalarını ve de sembollerin açıklamalarını içeren metin bölümü.	<b>38</b>
Textová část s technickými daty, důležitými bezpečnostními a pracovními pokyny a s vysvětlivkami symbolů	<b>40</b>
Textová část s technickými datami, důležitými bezpečnostními a pracovními pokyny a s vysvětlivkami symbolů	<b>42</b>
Część opisowa z danymi technicznymi, ważnymi wskazówkami dotyczącymi bezpieczeństwa i pracy oraz objaśnieniami symboli.	<b>44</b>
Szöveges rész műszaki adatokkal, fontos biztonsági- és munkavégzési útmutatásokkal, valamint a szimbólumok magyarázata.	<b>46</b>
Del besedila s tehničnimi podatki, pomembnimi varnostnimi opozorili in delovnimi navodili in pojasnili simbolov.	<b>48</b>
Dio štiva sa tehničkim podacima, važnim sigurnosnim i radnim uputama i objašnjenjem simbola.	<b>50</b>
Teksta daļa ar tehnikajiem parametriem, svarīgiem drošības un darbības norādījumiem, simbolu atšifrējumiem.	<b>52</b>
Teksto dalis su techniniais duomenimis, svarbiomis saugumo ir darbo instrukcijomis bei simbolių paaiškinimais.	<b>54</b>
Tekstiosa tehniliste näitajate, oluliste ohutus- ja tööjuhenditega ning sümbolite kirjeldustega.	<b>56</b>
Текстовый раздел, включающий технические данные, важные рекомендации по безопасности и эксплуатации, а также описание используемых символов.	<b>58</b>
Част с текст с технически данни, важни указания за безопасност и работа и разяснение на символите.	<b>60</b>
Porțiune de text cu date tehnice, indicații importante privind siguranța și modul de lucru și descrierea simbolurilor.	<b>62</b>
Текстуален дел со технички карактеристики, важни безбедносни и работни упатства и објаснување на символите.	<b>64</b>
Текстова частина з техничними даними, важливими вказівками з техніки безпеки та експлуатації і поясненням символів.	<b>66</b>
القسم النصي المزود بالبيانات الفنية والنصائح الهامة للسلامة والعمل ووصف الرموز	<b>71</b>





Remove the battery pack before starting any work on the machine.

Vor allen Arbeiten an der Maschine den Wechselakku herausnehmen

Avant tous travaux sur la machine retirer l'accu interchangeable.

Prima di iniziare togliere la batteria dalla macchina.

Retire la batería antes de comenzar cualquier trabajo en la máquina.

Antes de efectuar cualquier intervención na máquina retirar o bloco acumulador.

Voor alle werkzaamheden aan de machine de akku verwijderen.

Ved arbejde inden i maskinen, bør batteriet tages ud.

Ta ut vekselbatteriet før du arbeider på maskinen

Drag ur batteripaket innan arbete utföres på maskinen.

Tarkista pistotulppa ja verkkojohto mahdollisilta vaurioilta. Viat saa korjata vain alan erikoisiesimies.

Πριν από κάθε εργασία στη μηχανή αφαιρέστε την ανταλλακτική μπαταρία.

Aletin kendingde bir çalışma yapmadan önce kartuş aküyü çıkarın.

Před zahájením veškerých prací na vrtacím šroubováků vyjmout výměnný akumulátor.

Pred každou pracou na stroji výměnný akumulátor vytiahnuť.

Przed przystąpieniem do jakichkolwiek prac na elektronarzędziu należy wyjąć wkładkę akumulatoremową.

Karbantartás, javítás, tisztítás, stb. előtt az akkumulátort ki kell venni a készülékből.

Pred deli na stroju izvlecite izmenljivi akumulator.

Prije svih radova na stroju izvaditi bateriju za zamjenu.

Pirms mašīnai veikt jebkāda veida apkopes darbus, ir jāizņem ārā akumulators.

Prieš atlikdami bet kokius darbus įrenginyje, išimkite keičiamą akumuliatorių.

Enne kõiki töid masina kallal võtke vahetatav aku välja.

Виньте аккумулятор из машины перед проведением с ней каких-либо манипуляций.

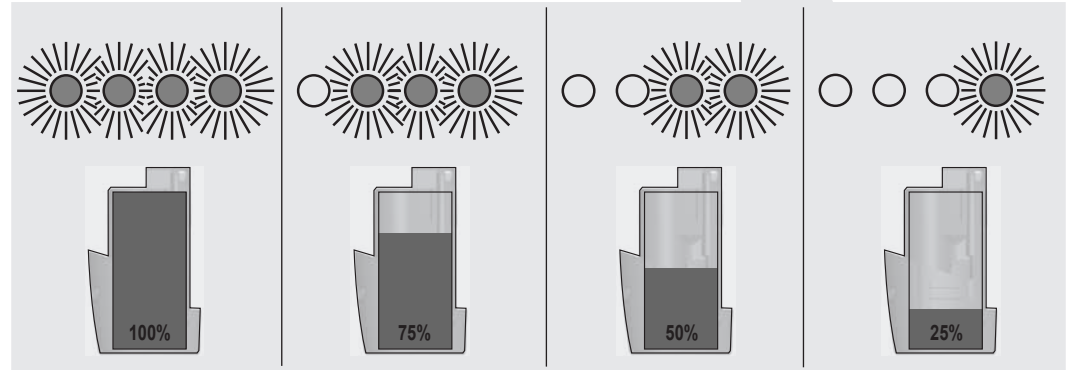
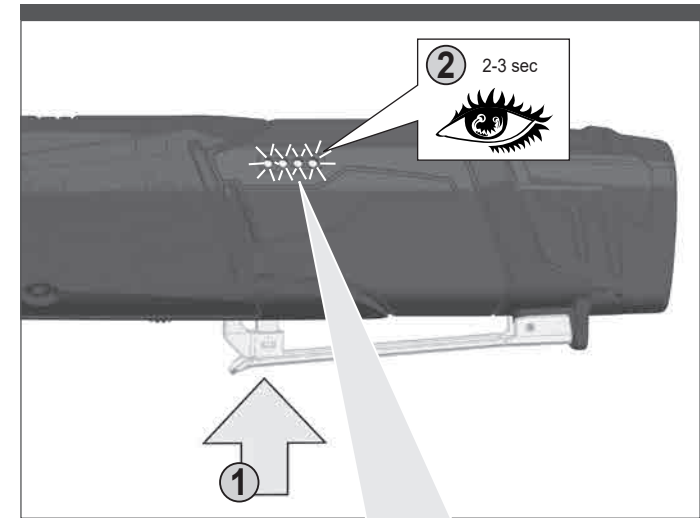
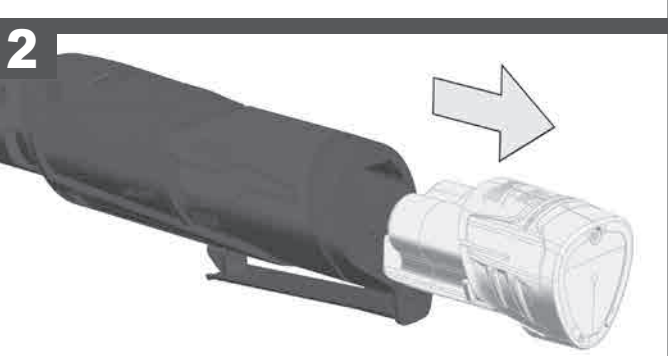
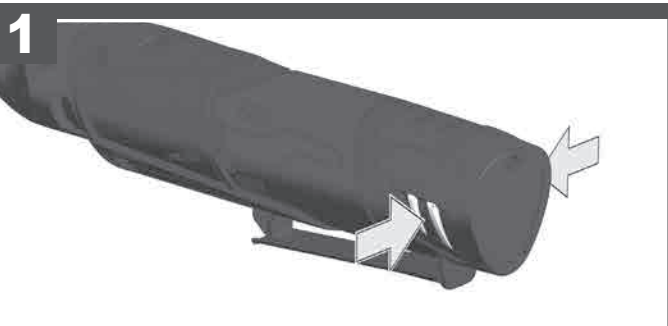
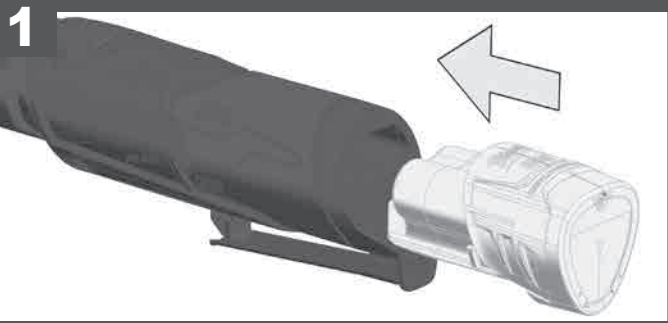
Преди започване на каквито е да е работи по машината извадете акумулатора.

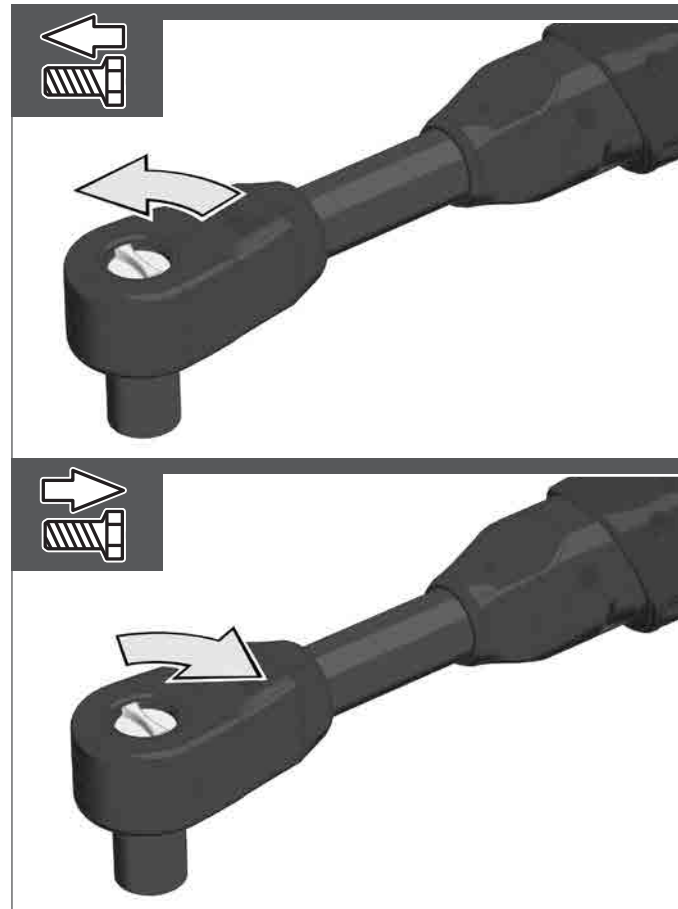
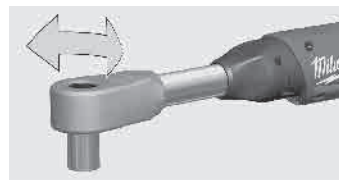
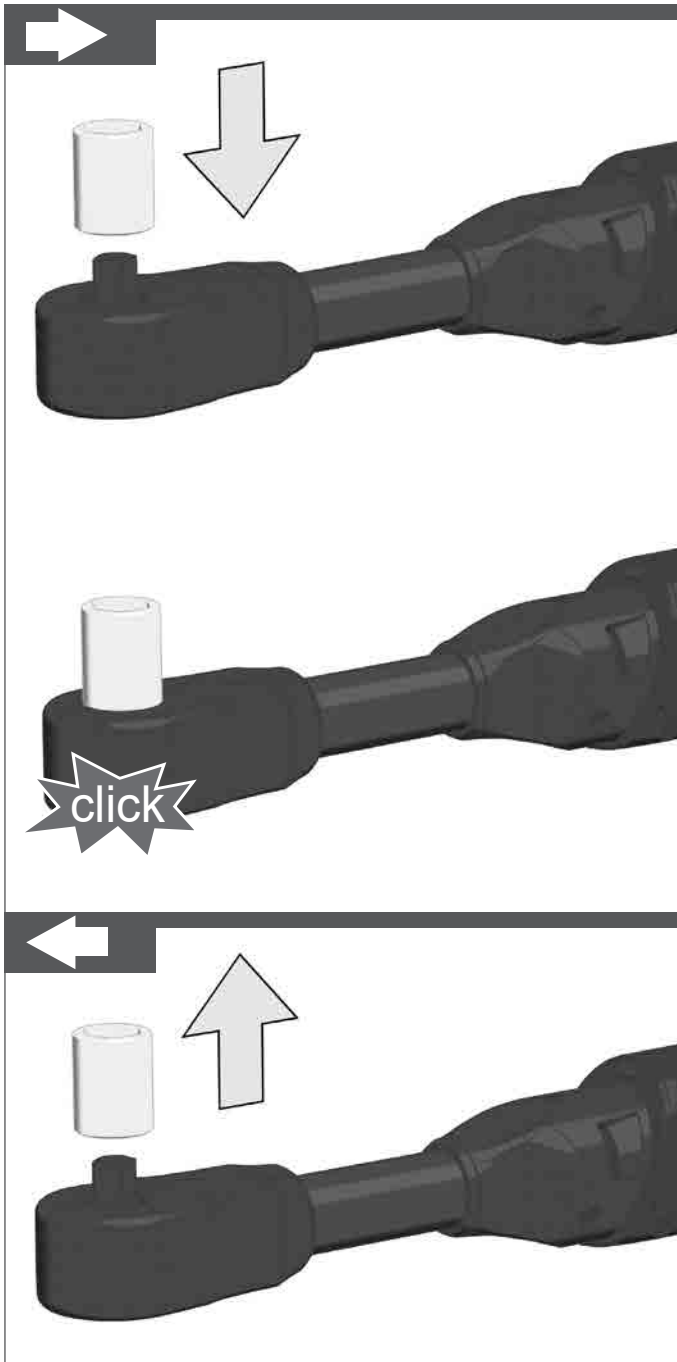
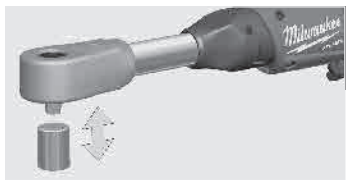
Scoateți acumulatorul înainte de a începe orice intervenție pe mașină.

Отстранете ја батеријата пред да започнете да ја користите машината.

Перед будь-якими роботами на машині ви́няти змінну акумуляторну батарею.

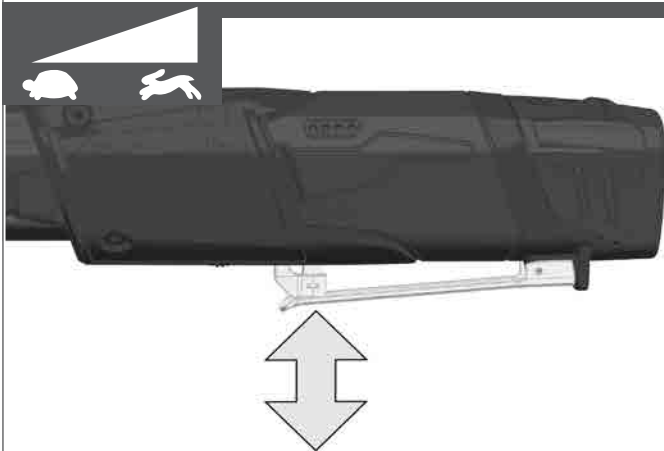
قم بإزالة حزمة البطارية قبل البدء في أي أعمال على الجهاز.



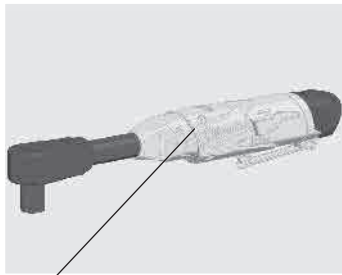




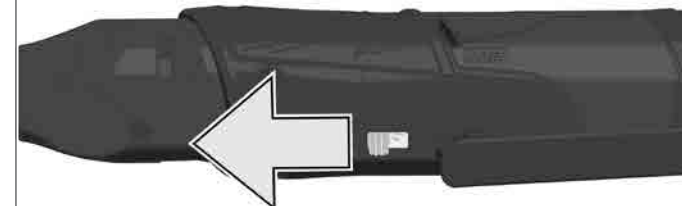
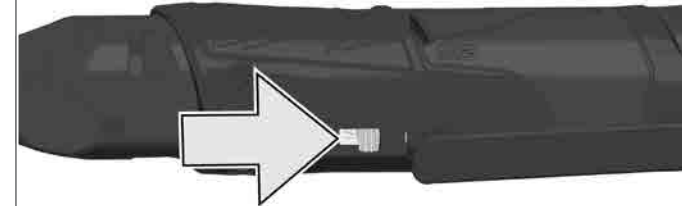
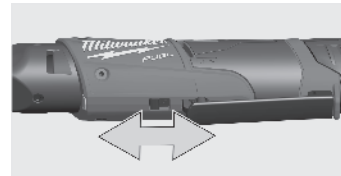
## START

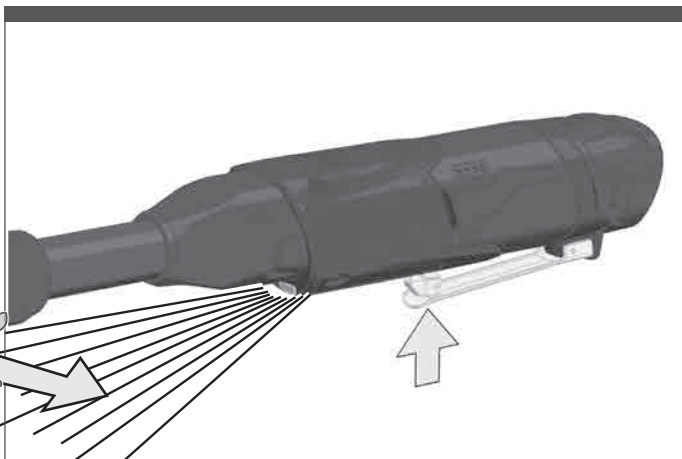


## STOP



- Handle (insulated gripping surface)
- Handgriff (isolierte Grifffläche)
- Poignée (surface de prise isolée)
- Impugnatura (superficie di presa isolata)
- Empuñadura (superficie de agarre con aislamiento)
- Manípulo (superficie de pega isolada)
- Handgreep (geïsoleerd)
- Håndtag (isolerede gribeflader)
- Håndtak (isolert gripeflate)
- Handtag (isolerad greppyta)
- Kahva (eristetty tarttumapinta)
- Χειρολαβή (μονωμένη επιφάνεια λαβής)
- El kulpu (izolasyonlu tutma yüzeyi)
- Rukojeť (izolovaná uchopovací plocha)
- Rukovät' (izolovaná úchopná plocha)
- Uchwyt (z izolowaną powierzchnią)
- Fogantyú (szigetelt fogófelület)
- Ročaj (izolirana prijemalna površina)
- Rukohvat (izolirana površina za držanje)
- Rokturis (izolēta satveršanas virsma)
- Rankena (izoliuotas rankenos paviršius)
- Käepide (isoleeritud pideme piirkond)
- Рукьятка (изолированная поверхность ручки)
- Ръкохватка (изолирана повърхност за хващане)
- Mâner (suprafață de prindere izolată)
- Дршка (изолирана површина)
- Ручка (ізолювана поверхня ручки)
- المقبض (مساحة المقبض معزولة)







**TECHNICAL DATA CORDLESS INDUSTRIAL SCREWDRIVER M12 FIR14LR M12 FIR38LR**

Production code.....	4811 34 01...	4811 30 01...
Tool reception .....	...000001-999999	...000001-999999
No-load speed .....	1/4" (6,35 mm).....	3/8" (9,5 mm)
Torque max .....	0-250 min <sup>-1</sup> .....	0-200 min <sup>-1</sup>
Battery voltage.....	54 Nm .....	75 Nm
Weight according EPTA-Procedure 01/2014 (2.0 Ah ... 6.0 Ah).....	12 V .....	12 V
Recommended ambient operating temperature .....	1,13 kg ... 1,3 kg.....	1,4 kg ... 1,6 kg
Recommended battery types.....	-18°C ... +50°C	
Recommended charger .....	M12B...	
	C12C, M12C4, M12-18...	

**Noise/vibration information**

Measured values determined according to EN 62841. Typically, the A-weighted noise levels of the tool are:  
 Sound pressure level (Uncertainty K=3dB(A))..... 79,99 dB (A)..... 81,95 dB (A)  
 Sound power level (Uncertainty K=3dB(A))..... 90,99 dB (A)..... 92,95 dB (A)

**Wear ear protectors!**

Total vibration values (vector sum in the three axes) determined according to EN 62841.  
 Vibration emission value a<sub>n</sub>:  
 Impact tightening of fasteners of the maximum capacity of the tool ..... 1,44 m/s<sup>2</sup>..... 2,64 m/s<sup>2</sup>  
 Uncertainty K = ..... 1,5 m/s<sup>2</sup>..... 1,5 m/s<sup>2</sup>

**WARNING**

The vibration and noise emission level given in this information sheet has been measured in accordance with a standardized test given in EN 62841 and may be used to compare one tool with another. It may be used for a preliminary assessment of exposure.  
 The declared vibration and noise emission level represents the main applications of the tool. However if the tool is used for different applications, with different accessories or poorly maintained, the vibration and noise emission may differ. This may significantly increase the exposure level over the total working period.  
 An estimation of the level of exposure to vibration and noise should also take into account the times when the tool is switched off or when it is running but not actually doing the job. This may significantly reduce the exposure level over the total working period.  
 Identify additional safety measures to protect the operator from the effects of vibration and/or noise such as: maintain the tool and the accessories, keep the hands warm, organization of work patterns.

**⚠ WARNING Read all safety warnings, instructions, illustrations and specifications provided with this power tool.**  
 Failure to follow all instructions listed below may result in electric shock, fire and/or serious injury.

**⚠ IMPACT DRIVER SAFETY WARNINGS**

**Hold the power tool by insulated gripping surfaces, when performing an operation where the fastener may contact hidden wiring.** Fasteners contacting a "live" wire may make exposed metal parts of the power tool "live" and could give the operator an electric shock.

**Wear ear protectors.** Exposure to noise can cause hearing loss.

**ADDITIONAL SAFETY AND WORKING INSTRUCTIONS**

Use protective equipment. Always wear safety glasses when working with the machine. The use of protective clothing is recommended, such as dust mask, protective gloves, sturdy non-slip footwear, helmet and ear defenders.  
 The dust produced when using this tool may be harmful to health. Do not inhale the dust. Wear a suitable dust protection mask.  
 Do not machine any materials that present a danger to health (e.g. asbestos).  
 Switch the device off immediately if the insertion tool stalls! Do not switch the device on again while the insertion tool is stalled, as doing so could trigger a sudden recoil with a high reactive force. Determine why the insertion tool stalled and rectify this, paying heed to the safety instructions.  
 The possible causes may be:  
 • it is tilted in the workpiece to be machined  
 • it has pierced through the material to be machined  
 • the power tool is overloaded  
 Do not reach into the machine while it is running.  
 The insertion tool may become hot during use.  
 • when changing tools  
 • when setting the device down

Chips and splinters must not be removed while the machine is running.  
 When working in walls ceiling, or floor, take care to avoid electric cables and gas or waterpipes.  
 Clamp your workpiece with a clamping device. Unclamped workpieces can cause severe injury and damage.  
 Remove the battery pack before starting any work on the machine.  
 Do not dispose of used battery packs in the household refuse or by burning them. Milwaukee Distributors offer to retrieve old batteries to protect our environment.  
 Do not store the battery pack together with metal objects (short circuit risk).  
 Use only System M12 chargers for charging System M12 battery packs. Do not use battery packs from other systems.  
 Never break open battery packs and chargers and store only in dry rooms. Keep dry at all times.  
 Battery acid may leak from damaged batteries under extreme load or extreme temperatures. In case of contact with battery acid wash it off immediately with soap and water. In case of eye contact rinse thoroughly for at least 10 minutes and immediately seek medical attention.  
**Warning!** To reduce the risk of fire, personal injury, and product damage due to a short circuit, never immerse your tool, battery pack or charger in fluid or allow a fluid to flow inside them. Corrosive or conductive fluids, such as seawater, certain industrial chemicals, and bleach or bleach containing products, etc., can cause a short circuit.

**SPECIFIED CONDITIONS OF USE**

The cordless industrial screwdriver can be used to tighten and loosen nuts and bolts wherever no mains connection is available.  
 Do not use this product in any other way as stated for normal use.

**EC-DECLARATION OF CONFORMITY**

We declare as the manufacturer under our sole responsibility that the product described under "Technical Data" fulfills all the relevant regulations and the directives 2011/65/EU (RoHS), 2014/30/EU, 2006/42/EC, and the following harmonized standards have been used:  
 EN 62841-1:2015  
 EN 62841-2-2:2014  
 EN 55014-1:2017+A11:2020  
 EN 55014-2:2015  
 EN IEC 63000:2018

Winnenden, 2020-12-02


  
 Alexander Krug  
 Managing Director  
 Authorized to compile the technical file.  
 Techtronic Industries GmbH  
 Max-Eyth-Straße 10  
 71364 Winnenden  
 Germany



**GB-DECLARATION OF CONFORMITY**

We declare as the manufacturer under our sole responsibility that the product described under "Technical Data" fulfills all the relevant provisions of the following Regulations S.I. 2008/1597 (as amended), S.I. 2016/1091 (as amended), S.I. 2012/3032 (as amended) and that the following designated standards have been used:  
 BS EN 62841-1:2015  
 BS EN 62841-2-2:2014  
 BS EN 55014-1:2017+A11:2020  
 BS EN 55014-2:2015  
 BS EN IEC 63000:2018

Winnenden, 2020-12-02

  
 Alexander Krug  
 Managing Director  
 Authorized to compile the technical file.  
 Techtronic Industries GmbH  
 Max-Eyth-Straße 10  
 71364 Winnenden  
 Germany

**BATTERIES**

Battery packs which have not been used for some time should be recharged before use.  
 Temperatures in excess of 50°C (122°F) reduce the performance of the battery pack. Avoid extended exposure to heat or sunshine (risk of overheating).  
 The contacts of chargers and battery packs must be kept clean. For an optimum life-time, the battery packs have to be fully charged, after used.  
 To obtain the longest possible battery life remove the battery pack from the charger once it is fully charged.  
 For battery pack storage longer than 30 days:  
 Store the battery pack where the temperature is below 27°C and away from moisture  
 Store the battery packs in a 30% - 50% charged condition  
 Every six months of storage, charge the pack as normal.

**BATTERY PACK PROTECTION**

In extremely high torque, binding, stalling and short circuit situations that cause high current draw, the tool will vibrate for about 5 seconds, the fuel gauge will flash, and then the tool will turn OFF. To reset, release the trigger.

Under extreme circumstances, the internal temperature of the battery pack could raise too much. If this happens, the fuel gauge will flash until the battery pack cooled down. After the lights go off, the work may continue.

**TRANSPORTING LITHIUM BATTERIES**

Lithium-ion batteries are subject to the Dangerous Goods Legislation requirements.  
 Transportation of those batteries has to be done in accordance with local, national and international provisions and regulations.  
 • The user can transport the batteries by road without further requirements.  
 • Commercial transport of Lithium-Ion batteries by third parties is subject to Dangerous Goods regulations. Transport preparation and transport are exclusively to be carried out by appropriately trained persons and the process has to be accompanied by corresponding experts.

When transporting batteries:

- Ensure that battery contact terminals are protected and insulated to prevent short circuit.
- Ensure that battery pack is secured against movement within packaging.
- Do not transport batteries that are cracked or leak.









Check with forwarding company for further advice

**MAINTENANCE**

Use only Milwaukee accessories and spare parts. Should components need to be replaced which have not been described, please contact one of our Milwaukee service agents (see our list of guarantee/service addresses).

If needed, an exploded view of the tool can be ordered. Please state the machine type printed as well as the six-digit No. on the label and order the drawing at your local service agents or directly at: Techtronic Industries GmbH, Max-Eyth-Straße 10, 71364 Winnenden, Germany.

**SYMBOLS**

	CAUTION! WARNING! DANGER!
	Remove the battery pack before starting any work on the machine.
	Please read the instructions carefully before starting the machine.
	Do not dispose electric tools, batteries/rechargeable batteries together with household waste material. Electric tools and batteries that have reached the end of their life must be collected separately and returned to an environmentally compatible recycling facility. Check with your local authority or retailer for recycling advice and collection point.
	European Conformity Mark
	British Conformity Mark
	Ukraine Conformity Mark
	EurAsian Conformity Mark



TECHNISCHE DATEN	AKKU-INDUSTRIESCHRAUBER	M12 FIR14LR	M12 FIR38LR
Produktionsnummer .....	4811 34 011 .....	4811 30 011 .....	4811 30 011 .....
Werkzeugaufnahme .....	1/4" (6,35 mm) .....	3/8" (9,5 mm) .....	3/8" (9,5 mm) .....
Leerlaufdrehzahl .....	0-250 min <sup>-1</sup> .....	0-200 min <sup>-1</sup> .....	0-200 min <sup>-1</sup> .....
Drehmoment .....	54 Nm .....	75 Nm .....	75 Nm .....
Spannung Wechselakku .....	12 V .....	12 V .....	12 V .....
Gewicht nach EPTA-Prozedur 01/2014 (2,0 Ah ... 6,0 Ah) .....	1,13 kg ... 1,3 kg .....	1,4 kg ... 1,6 kg .....	1,4 kg ... 1,6 kg .....
Empfohlene Umgebungstemperatur beim Arbeiten .....	-18°C ... +50°C .....	-18°C ... +50°C .....	-18°C ... +50°C .....
Empfohlene Akkutypen .....	M12B .....	M12B .....	M12B .....
Empfohlene Ladegeräte .....	C12C, M12C4, M12-18...	C12C, M12C4, M12-18...	C12C, M12C4, M12-18...

#### Geräusch/Vibrationsinformation

Messwerte ermittelt entsprechend EN 62841.

Der A-bewertete Geräuschpegel des Gerätes beträgt

typischerweise:

Schalldruckpegel (Unsicherheit K=3dB(A)) .....

Schalleistungspegel (Unsicherheit K=3dB(A)) .....

#### Gehörschutz tragen!

Schwingungsgesamtwerte (Vektorsumme dreier Richtungen)

ermittelt entsprechend EN 62841.

Schwingungsemissionswert a<sub>v</sub>:

Anziehen von Schrauben und Muttern maximaler Größe .....

Unsicherheit K = .....

#### WARNUNG

Die angegebenen Schwingungsgesamtwerte und Geräuschemissionswerte wurden nach einem genormten Messverfahren gemäß EN 62841 gemessen und können für den Vergleich von Elektrowerkzeugen miteinander verwendet werden. Es kann für eine vorläufige Einschätzung der Belastung verwendet werden.

Der angegebene Schwingungs- und Geräuschemissionspegel repräsentiert die hauptsächlichen Anwendungen des Elektrowerkzeugs. Wenn allerdings das Elektrowerkzeug für andere Anwendungen, mit abweichenden Einsatzwerkzeugen oder ungenügender Wartung eingesetzt wird, können sich die Schwingungs- und Geräuschemissionen unterscheiden. Dies kann deren Wirkung über den gesamten Arbeitszeitraum deutlich erhöhen.

Bei der Abschätzung der Belastung durch Schwingungen und Lärm sollten auch die Zeiten berücksichtigt werden, in denen das Elektrowerkzeug ausgeschaltet ist oder zwar läuft, aber keine tatsächliche Arbeit verrichtet wird. Dies kann deren Wirkung über den gesamten Arbeitszeitraum deutlich reduzieren.

Legen Sie zusätzliche Sicherheitsmaßnahmen zum Schutz des Bedieners vor den Auswirkungen von Schwingungen- und / oder Lärm fest, wie z. B.: Wartung des Werkzeugs und des Zubehörs, Warmhalten der Hände, Organisation der Arbeitsabläufe.

#### WARNUNG! Lesen Sie alle Sicherheitshinweise, Anweisungen, Darstellungen und Spezifikationen für dieses

Elektrowerkzeug. Versäumnisse bei der Einhaltung der nachstehenden Anweisungen können elektrischen Schlag, Brand und/oder schwere Verletzungen verursachen.

#### ▲ SICHERHEITSHINWEISE FÜR SCHLAGSCHRAUBER

**Halten Sie das Gerät an den isolierten Griffflächen, wenn Sie Arbeiten ausführen, bei denen die Schraube verborgene Stromleitungen treffen kann.** Der Kontakt der Schraube mit einer spannungsführenden Leitung kann metallene Geräteteile unter Spannung setzen und zu einem elektrischen Schlag führen.

**Tragen Sie Gehörschutz.** Die Einwirkung von Lärm kann Gehörverlust bewirken.

#### WEITERE SICHERHEITS- UND ARBEITSHINWEISE

Schutzausrüstung verwenden. Beim Arbeiten mit der Maschine stets Schutzbrille tragen. Schutzkleidung wie Staubschutzmaske, Schutzhandschuhe, festes und rutschsicheres Schuhwerk, Helm und Gehörschutz werden empfohlen.

Beim Arbeiten entstehender Staub ist oft gesundheitsschädlich und sollte nicht in den Körper gelangen. Geeignete Staubschutzmaske tragen.

Es dürfen keine Materialien bearbeitet werden, von denen eine Gesundheitsgefährdung ausgeht (z.B. Asbest).

Beim Blockieren des Einsatzwerkzeuges bitte das Gerät sofort ausschalten! Schalten Sie das Gerät nicht wieder ein, solange das Einsatzwerkzeug blockiert ist; hierbei könnte ein Rückschlag mit hohem Reaktionsmoment entstehen. Ermitteln und beheben Sie die Ursache für die Blockierung des Einsatzwerkzeuges unter Berücksichtigung der Sicherheitshinweise.

Mögliche Ursachen dafür können sein:

- Verkanten im zu bearbeitenden Werkstück
- Durchbrechen des zu bearbeitenden Materials

- Überlasten das Elektrowerkzeuges

Greifen Sie nicht in die laufende Maschine.

Das Einsatzwerkzeug kann während der Anwendung heiß werden.

**WARNUNG!** Verbrennungsgefahr

- bei Werkzeugwechsel
- bei Ablegen des Gerätes

Späne oder Splitter dürfen bei laufender Maschine nicht entfernt werden.

Beim Arbeiten in Wand, Decke oder Fußboden auf elektrische Kabel, Gas- und Wasserleitungen achten.

Sichern Sie Ihr Werkstück mit einer Spannvorrichtung. Nicht gesicherte Werkstücke können schwere Verletzungen und Beschädigungen verursachen.

Vor allen Arbeiten an der Maschine den Wechselakku herausnehmen

Verbrauchte Wechselakkus nicht ins Feuer oder in den Hausmüll werfen. Milwaukee bietet eine umweltgerechte Alt-Wechselakku-Entsorgung an; bitte fragen Sie Ihren Fachhändler.

Wechselakkus nicht zusammen mit Metallgegenständen aufbewahren (Kurzschlussgefahr).

Wechselakkus des Systems M12 nur mit Ladegeräten des Systems M12 laden. Keine Akkus aus anderen Systemen laden.

Wechselakkus und Ladegeräte nicht öffnen und nur in trockenen Räumen lagern. Vor Nässe schützen.

Unter extremer Belastung oder extremer Temperatur kann aus beschädigten Wechselakkus Batterieflüssigkeit auslaufen. Bei Berührung mit Batterieflüssigkeit sofort mit Wasser und Seife abwaschen. Bei Augenkontakt sofort mindestens 10 Minuten gründlich spülen und unverzüglich einen Arzt aufsuchen.

**Warnung!** Um die durch einen Kurzschluss verursachte Gefahr eines Brandes, von Verletzungen oder Produktbeschädigungen zu vermeiden, tauchen Sie das Werkzeug, den Wechselakku oder das Ladegerät nicht in Flüssigkeiten ein und sorgen Sie dafür,

das keine Flüssigkeiten in die Geräte und Akkus eindringen. Korrodierende oder leitfähige Flüssigkeiten, wie Salzwasser, bestimmte Chemikalien und Bleichmittel oder Produkte, die Bleichmittel enthalten, können einen Kurzschluss verursachen.

#### BESTIMMUNGSGEMÄSSE VERWENDUNG

Der Akku-Industrieschrauber ist universell einsetzbar zum Befestigen und Lösen von Schrauben und Muttern unabhängig von einem Netzanschluss.

Dieses Gerät darf nur wie angegeben bestimmungsgemäß verwendet werden.

#### CE-KONFORMITÄTSERKLÄRUNG

Wir erklären als Hersteller in alleiniger Verantwortung, dass das unter "Technische Daten" beschriebene Produkt mit allen relevanten Vorschriften der Richtlinien 2011/65/EU (RoHS), 2014/30/EU, 2006/42/EG und den folgenden harmonisierten normativen Dokumenten übereinstimmt:

EN 62841-1:2015

EN 62841-2-2:2014

EN 55014-1:2017+A11:2020

EN 55014-2:2015

EN IEC 63000:2018

Winnenden, 2020-12-02



Alexander Krug  
Managing Director



Bevollmächtigt die technischen Unterlagen zusammenzustellen

Techtronic Industries GmbH

Max-Eyth-Straße 10

71364 Winnenden

Germany

#### AKKUS

Längere Zeit nicht benutzte Wechselakkus vor Gebrauch nachladen.

Eine Temperatur über 50°C vermindert die Leistung des Wechselakkus. Längere Erwärmung durch Sonne oder Heizung vermeiden.

Die Anschlusskontakte an Ladegerät und Wechselakku sauber halten.

Für eine optimale Lebensdauer müssen nach dem Gebrauch die Akkus voll geladen werden.

Für eine möglichst lange Lebensdauer sollten die Akkus nach dem Aufladen aus dem Ladegerät entfernt werden.

Bei Lagerung des Akkus länger als 30 Tage:

Akku bei ca. 27°C und trocken lagern.

Akku bei ca. 30%-50% des Ladezustandes lagern.

Akku alle 6 Monate erneut aufladen.

#### AKKUÜBERLASTSCHUTZ

Bei Überlastung des Akkus durch sehr hohen Stromverbrauch, z.B. extrem hohe Drehmomente, Verklemmen des Bohrers, plötzlichem Stopp oder Kurzschluss, brummt das Elektrowerkzeug 2 Sekunden lang und schaltet sich selbsttätig ab.

Zum Wiedereinschalten, den Schalterdrücker loslassen und dann wieder einschalten.

Unter extremen Belastungen kann sich der Akku stark erhitzen. In diesem Fall schaltet der Akku ab.

Den Akku dann in das Ladegerät stecken um ihn wieder aufzuladen und zu aktivieren.

#### TRANSPORT VON LITHIUM-IONEN-AKKUS

Lithium-Ionen-Akkus fallen unter die gesetzlichen Bestimmungen zum Gefahrguttransport.

Der Transport dieser Akkus muss unter Einhaltung der lokalen, nationalen und internationalen Vorschriften und Bestimmungen erfolgen.

• Verbraucher dürfen diese Akkus ohne Weiteres auf der Straße transportieren.

• Der kommerzielle Transport von Lithium-Ionen-Akkus durch Speditionsunternehmen unterliegt den Bestimmungen des Gefahrguttransports. Die Versandvorbereitungen und der Transport dürfen ausschließlich von entsprechend geschulten Personen durchgeführt werden. Der gesamte Prozess muss fachmännisch begleitet werden.

Folgende Punkte sind beim Transport von Akkus zu beachten:

- Stellen Sie sicher, dass die Kontakte geschützt und isoliert sind, um Kurzschlüsse zu vermeiden.
- Achten Sie darauf, dass der Akkupack innerhalb der Verpackung nicht verrutschen kann.
- Beschädigte oder auslaufende Akkus dürfen nicht transportiert werden.

Wenden Sie sich für weitere Hinweise an Ihr Speditionsunternehmen.

#### WARTUNG

Nur Milwaukee Zubehör und Ersatzteile verwenden. Bauteile, deren Austausch nicht beschrieben wurde, bei einer Milwaukee Kundendienststelle auswechseln lassen (Broschüre Garantie/Kundendienstadressen beachten).

Bei Bedarf kann eine Explosionszeichnung des Gerätes unter Angabe der Maschinen Type und der sechsstelligen Nummer auf dem Leistungsschild bei Ihrer Kundendienststelle oder direkt bei Techtronic Industries GmbH, Max-Eyth-Straße 10, 71364 Winnenden, Germany angefordert werden.

#### SYMBOLE



ACHTUNG! WARNUNG! GEFAHR!



Vor allen Arbeiten an der Maschine den Wechselakku herausnehmen



Bitte lesen Sie die Gebrauchsanweisung vor Inbetriebnahme sorgfältig durch.



Elektrogeräte, Batterien/Akkus dürfen nicht zusammen mit dem Hausmüll entsorgt werden. Elektrische Geräte und Akkus sind getrennt zu sammeln und zur umweltgerechten Entsorgung bei einem Verwertungsbetrieb abzugeben. Erkundigen Sie sich bei den örtlichen Behörden oder bei Ihrem Fachhändler nach Recyclinghöfen und Sammelstellen.



Europäisches Konformitätszeichen



Britisches Konformitätszeichen



Ukrainisches Konformitätszeichen



Euroasiatisches Konformitätszeichen

CARACTÉRISTIQUES TECHNIQUES	VISSEUSE INDUSTRIELLE À BATTERIE	M12 FIR14LR	M12 FIR38LR
Numéro de série .....		4811 34 01 .....	4811 30 01 .....
		...000001-999999	...000001-999999
système de fixation .....		1/4" (6,35 mm) .....	3/8" (9,5 mm)
Vitesse de rotation à vide .....		0-250 min <sup>-1</sup> .....	0-200 min <sup>-1</sup>
Couple .....		54 Nm .....	75 Nm
Tension accus interchangeable .....		12 V .....	12 V
Poids suivant EPTA-Procédure 01/2014 (2,0 Ah ... 6,0 Ah) .....		1,13 kg ... 1,3 kg .....	1,4 kg ... 1,6 kg
Température conseillée lors du travail .....		-18°C ... +50°C	
Batteries conseillées .....		M12B .....	
Chargeurs de batteries conseillés .....		C12C, M12C4, M12-18...	

### Informations sur le bruit et les vibrations

Valeurs de mesure obtenues conformément à la EN 62841.

Les mesures réelles (des niveaux acoustiques de l'appareil sont :

Niveau de pression acoustique (Incertitude K=3dB(A)) .....

Niveau d'intensité acoustique (Incertitude K=3dB(A)) .....

### Toujours porter une protection acoustique!

Valeurs totales des vibrations (somme vectorielle de trois sens)

établies conformément à EN 62841.

Valeur d'émission vibratoire a<sub>w</sub>

Vissage à bloc des vis et des écrous de la dimension maximale .....

Incertitude K = .....

### AVERTISSEMENT

Le niveau de vibration et d'émissions sonores indiqué dans cette fiche de données a été mesuré en respect d'une méthode standard de test selon la norme EN 62841 et peut être utilisé pour comparer les outils entre eux. Il peut être utilisé pour évaluation préliminaire de l'exposition.

Le niveau de vibration et d'émissions sonores déclaré correspond à l'application principale de l'outil. Cependant, si l'outil est utilisé pour des applications différentes, avec différents accessoires ou est mal entretenu, les vibrations et les émissions sonores peuvent différer. Cela peut augmenter considérablement le niveau d'exposition au cours de la période de travail totale.

Une estimation du niveau d'exposition aux vibrations et au bruit devrait également tenir compte des temps d'arrêt de l'outil ou des périodes où il est en marche mais n'effectue pas réellement le travail. Cela peut réduire considérablement le niveau d'exposition au cours de la période de travail totale.

Identifier des mesures de sécurité supplémentaires pour protéger l'opérateur des effets des vibrations et/ou du bruit tels que : l'entretien de l'outil et des accessoires, le maintien au chaud des mains, l'organisation des processus de travail.

**AVERTISSEMENT! Lire tous les avertissements de sécurité, les instructions opérationnelles, les illustrations et les spécifications fournies avec cet outil électrique.** La non observance des instructions mentionnées ci-dessous peut causer des chocs électriques, des incendies ou de graves blessures.

### INSTRUCTIONS DE SÉCURITÉ POUR VISSEUSE À CHOC

Tenir l'appareil aux surfaces isolées faisant office de poignée pendant les travaux au cours desquels la vis peut toucher des lignes électriques dissimulées. Le contact de la vis avec un câble qui conduit la tension peut mettre des parties d'appareil en métal sous tension et mener à une décharge électrique.

Portez une protection acoustique. L'influence du bruit peut provoquer la surdité.

### AVIS COMPLÉMENTAIRES DE SÉCURITÉ ET DE TRAVAIL

Utiliser l'équipement de protection. Toujours porter des lunettes de protection pendant le travail avec la machine. Il est recommandé de porter des articles de protection, tels que masque antipoussière, gants de protection, chaussures tenant bien aux pieds et antidérapantes, casque et protection acoustique.

Les poussières qui sont dégagées pendant les travaux sont souvent nocives pour la santé et ne devraient pas pénétrer dans le corps. Porter un masque de protection approprié contre les poussières.

Il est interdit de travailler des matériaux dangereux pour la santé (par ex. amiante).

Désactiver immédiatement le dispositif en cas de blocage ! Ne pas réactiver le dispositif avec l'outil bloqué; il y a le risque de provoquer un contrecoup avec moment de réaction élevé. Établir et éliminer la cause du blocage de l'outil en prêtant attention aux consignes de sécurité.

Les causes possibles sont :

- Encastrement dans la pièce à travailler.

- Le dispositif a traversé le matériau à travailler en le cassant.
- Le dispositif électrique a été surchargé.

Ne pas approcher les mains de la partie en mouvement de la machine.

Durant l'utilisation, l'outil peut se surchauffer.

**AVERTISSEMENT!** Danger de brûlures

- durant le remplacement de l'outil
- durant la dépose de l'outil

Ne jamais enlever les copeaux ni les éclats lorsque la machine est en marche.

Lors du perçage dans les murs, les plafonds ou les planchers, toujours faire attention aux câbles électriques et aux conduites de gaz et d'eau.

Fixer fermement la pièce en exécution à l'aide d'un dispositif de serrage. Des pièces en exécution non fermement fixées peuvent provoquer des dommages et des lésions graves.

Avant tous travaux sur la machine retirer l'accu interchangeable.

Ne pas jeter les accus interchangeables usés au feu ou avec les déchets ménagers. Milwaukee offre un système d'évacuation écologique des accus usés.

Ne pas conserver les accus interchangeables avec des objets métalliques (risque de court-circuit)

Ne charger les accus interchangeables du système M12 qu'avec le chargeur d'accus du système M12. Ne pas charger des accus d'autres systèmes.

Ne pas ouvrir les accus interchangeables et les chargeurs et ne les stocker que dans des locaux secs. Les protéger contre l'humidité.

En cas de conditions ou températures extrêmes, du liquide caustique peut s'échapper d'un accu interchangeable endommagé. En cas de contact avec le liquide caustique de la batterie, laver immédiatement avec de l'eau et du savon. En cas de contact avec les yeux, rincer soigneusement avec de l'eau et consulter immédiatement un médecin.

**Avertissement!** Pour réduire le risque d'incendie, de blessures corporelles et de dommages causés par un court-circuit, ne jamais immerger l'outil, le bloc-piles ou le chargeur dans un liquide ou laisser couler un fluide à l'intérieur de celui-ci. Les fluides corrosifs ou conducteurs, tels que l'eau de mer, certains produits chimiques industriels, les produits de blanchiment ou de blanchiment, etc., peuvent provoquer un court-circuit.

### UTILISATION CONFORME AUX PRESCRIPTIONS

La visseuse industrielle à batterie est universellement utilisable pour serrer et desserrer les vis et les écrous même lorsqu'il n'est pas possible de brancher l'appareil au réseau d'alimentation électrique.

Comme déjà indiqué, cette machine n'est conçue que pour être utilisée conformément aux prescriptions.

### DÉCLARATION CE DE CONFORMITÉ

Nous déclarons, en tant que fabricant et sous notre seule responsabilité, que le produit décrit dans « Données techniques » est conforme à toutes les dispositions pertinentes des directives 2011/65/UE (RoHS), 2014/30/UE, 2006/42/CE et des documents normatifs harmonisés suivants :

EN 62841-1:2015  
EN 62841-2-2:2014  
EN 55014-1:2017+A11:2020  
EN 55014-2:2015  
EN IEC 63000:2018

Winnenden, 2020-12-02

*Alexander Krug*

Alexander Krug  
Managing Director



Bevollmächtigt die technischen Unterlagen zusammenzustellen

Techtronic Industries GmbH  
Max-Eyth-Straße 10  
71364 Winnenden  
Germany

### ACCUS

Recharger les accus avant utilisation après une longue période de non utilisation.

Une température supérieure à 50°C amoindrit la capacité des accus. Éviter les expositions prolongées au soleil ou au chauffage.

Tenir propres les contacts des accus et des chargeurs.

Après l'usage, les accus doivent être chargés entièrement pour une durée de vie optimale.

Pour une plus longue durée de vie, enlever les batteries du chargeur de batterie quand celles-ci seront chargées.

En cas d'entreposage de la batterie pour plus de 30 jours: Entreposer la batterie à 27°C environ dans un endroit sec. Entreposer la batterie avec une charge d'environ 30% - 50%. Recharger la batterie tous les 6 mois.

### PROTECTION DE L'ACCU CONTRE LES SURCHARGES

En cas de surcharge de l'accu suite à une consommation de courant très élevée, par exemple des couples extrêmement hauts, un coincement du foret, un arrêt soudain ou un court-circuit, l'outil électrique se met à bourdonner pendant 2 secondes et s'éteint automatiquement.

Pour le remettre en marche, il faut relâcher le poussoir de commutateur, puis l'enclencher à nouveau. Il se peut que l'accu s'échauffe fortement s'il est soumis à des sollicitations extrêmes. Dans ce cas, il se déconnecte. Mettre alors l'accu en place dans le chargeur pour le recharger et l'activer.

### TRANSPORT DE BATTERIES LITHIUM-ION

Les batteries lithium-ion sont soumises aux dispositions législatives concernant le transport de produits dangereux.

Le transport de ces batteries devra s'effectuer dans le respect des dispositions et des normes locales, nationales et internationales.

- Les utilisateurs peuvent transporter ces batteries sans restrictions.
- Le transport commercial de batteries lithium-ion est réglé par les dispositions concernant le transport de produits dangereux. La préparation au transport et le transport devront être effectués uniquement par du personnel formé de façon adéquate. Tout le procédé devra être géré d'une manière professionnelle.

Durant le transport de batteries il faut respecter les consignes suivantes :

- S'assurer que les contacts soient protégés et isolés en vue d'éviter des courts-circuits.
- S'assurer que le groupe de batteries ne puisse pas se déplacer à l'intérieur de son emballage.
- Des batteries endommagées ou des batteries perdant du liquide ne devront pas être transportées.

Pour tout renseignement complémentaire veuillez vous adresser à votre transporteur professionnel.

### ENTRETIEN

Utiliser uniquement les accessoires Milwaukee et les pièces détachées Milwaukee. Faire remplacer les composants dont le remplacement n'a pas été décrit, par un des centres de service après-vente Milwaukee (observer la brochure avec les adresses de garantie et de service après-vente).

En cas de besoin il est possible de demander un dessin éclaté du dispositif en indiquant le modèle de la machine et le numéro de six chiffres imprimé sur la plaquette de puissance et en s'adressant au centre d'assistance technique ou directement à Techtronic Industries GmbH, Max-Eyth-Straße 10, 71364 Winnenden, Germany.

### SYMBOLES

	ATTENTION! AVERTISSEMENT! DANGER!
	Avant tous travaux sur la machine retirer l'accu interchangeable.
	Veuillez lire avec soin le mode d'emploi avant la mise en service
	Les dispositifs électriques, les batteries et les batteries rechargeables ne sont pas à éliminer dans les déchets ménagers. Les dispositifs électriques et les batteries sont à collecter séparément et à remettre à un centre de recyclage en vue de leur élimination dans le respect de l'environnement. S'adresser aux autorités locales ou au détaillant spécialisé en vue de connaître l'emplacement des centres de recyclage et des points de collecte.
	Marque de conformité européenne
	Marque de conformité britannique
	Marque de conformité ukrainienne
	Marque de conformité d'Eurasie

DATI TECNICI	AVVITATORE INDUSTRIALE A BATTERIA	M12 FIR14LR	M12 FIR38LR
Numero di serie	.....	4811 34 011 .....	4811 30 011 .....
		...000001-999999 .....	...000001-999999 .....
Attacco utensili	.....	1/4" (6,35 mm).....	3/8" (9,5 mm)
Numero di giri a vuoto	.....	0-250 min <sup>-1</sup> .....	0-200 min <sup>-1</sup> .....
Momento torcente	.....	54 Nm .....	75 Nm
Tensione batteria	.....	12 V .....	12 V
Peso secondo la procedura EPTA 01/2014 (2,0 Ah ... 6,0 Ah)	.....	1,13 kg ... 1,3 kg .....	1,4 kg ... 1,6 kg
Temperatura consigliata durante il lavoro	.....	-18°C ... +50°C	
Batterie consigliate	.....	M12B .....	
Caricatori consigliati	.....	C12C, M12C4, M12-18...	

#### Informazioni sulla rumorosità/sulle vibrazioni

Valori misurati conformemente alla norma EN 62841.

La misurazione A del livello di pressione acustica dell'utensile è di solito di:

Livello di rumorosità (Incertezza della misura K=3dB(A)) ..... 79,99 dB (A)..... 81,95 dB (A)

Potenza della rumorosità (Incertezza della misura K=3dB(A))..... 90,99 dB (A)..... 92,95 dB (A)

#### Utilizzare le protezioni per l'udito!

Valori totali delle oscillazioni (somma di vettori in tre direzioni)

misurati conformemente alla norma EN 62841

Valore di emissione dell'oscillazione a<sub>w</sub>

Serraggio di viti e dadi di dimensioni massime ..... 1,44 m/s<sup>2</sup>..... 2,64 m/s<sup>2</sup>

Incertezza della misura K = ..... 1,5 m/s<sup>2</sup>..... 1,5 m/s<sup>2</sup>

#### AVVERTENZA

Il/i valore/i di emissione acustica riportato/i in questa scheda informativa sono stati misurati conformemente a un metodo di prova standard sulla base della norma EN 62841 e possono essere utilizzati per confrontare gli utensili tra loro. Può/possono essere utilizzato/i anche per una valutazione preliminare dell'esposizione.

Il livello di vibrazione ed emissione acustica dichiarato rappresenta le applicazioni principali dell'utensile. Tuttavia, se l'utensile è utilizzato per applicazioni diverse, con accessori differenti o una manutenzione non adeguata, la vibrazione e l'emissione acustica potrebbero variare. Ciò può aumentare significativamente il livello di esposizione durante l'intera durata del lavoro.

Una stima del livello di esposizione alle vibrazioni e al rumore dovrebbe tenere conto anche dei periodi in cui l'utensile è spento o è in funzione ma non sta lavorando. Ciò può ridurre significativamente il livello di esposizione durante l'intera durata del lavoro.

Identificare le misure di sicurezza supplementari per proteggere l'operatore dagli effetti delle vibrazioni e/o del rumore, ad esempio eseguendo la manutenzione dell'utensile e degli accessori, mantenendo le mani calde e organizzando gli schemi di lavoro.

**AVVERTENZA! Leggere tutte le avvertenze di sicurezza, istruzioni operative, illustrazioni e specifiche fornite con questo elettroutensile.** Il mancato rispetto delle istruzioni di seguito riportate può causare scosse elettriche, incendi e/o lesioni gravi.

#### INDICAZIONI DI SICUREZZA PER AVVITATORE A IMPULSI

**Quando si svolge un'operazione in cui la vite potrebbe entrare in contatto con conduttori elettriche nascoste impugnare l'apparecchio afferrandolo per le superfici isolate.** La vite che entra in contatto con una conduttura in tensione può mettere sotto tensione le parti metalliche dell'apparecchio e causare scosse elettriche.

**Indossare protezioni acustiche adeguate.** L'esposizione prolungata al rumore senza protezione può causare danni all'udito.

#### ULTERIORI AVVISI DI SICUREZZA E DI LAVORO

Usare dispositivi di protezione. Durante il lavoro con la macchina bisogna sempre portare occhiali di protezione. Si consiglia di indossare indumenti di protezione come maschera antipolvere, guanti di protezione, scarpe antiscivolo robuste, casco e cuffie di protezione acustica.

La polvere che si produce durante il lavoro è spesso dannosa per la salute e non dovrebbe essere aspirata. Portare un'adeguata mascherina protettiva.

E' vietato lavorare materiali che possono costituire pericoli alla salute (ad es. amianto).

Spegnere immediatamente il dispositivo in caso di bloccaggio! Non riaccendere il dispositivo fino a quando l'utensile ad inserto resta bloccato; esiste il rischio di causare un contraccolpo con elevato momento di reazione. Rilevare ed eliminare la causa del bloccaggio dell'utensile ad inserto tenendo conto delle indicazioni di sicurezza.

Le possibili cause sono:

- Incastro nel pezzo in lavorazione
- Il dispositivo ha attraversato il materiale da lavorare rompendolo

- Il dispositivo elettrico è stato sovraccaricato

Non avvicinare le mani alla parte della macchina in movimento.

Durante l'uso l'utensile ad inserto può surriscaldarsi.

**AVVERTENZA!** Pericolo di ustioni

- durante la sostituzione dell'utensile
- durante il deposito dell'utensile

Non rimuovere trucioli o schegge mentre l'utensile è in funzione.

Forando pareti, soffitti o pavimenti, si faccia attenzione ai cavi elettrici e alle condutture dell'acqua e del gas.

Fissare in sicurezza il pezzo in lavorazione con un dispositivo di serraggio. Pezzi in lavorazione che non siano fissati in sicurezza possono causare gravi lesioni e danni.

Prima di iniziare togliere la batteria dalla macchina.

Non gettare le batterie esaurite sul fuoco o nella spazzatura di casa. La Milwaukee offre infatti un servizio di recupero batterie usate.

Nel vano d'innesto per la batteria del caricatore non devono entrare parti metalliche (pericolo di cortocircuito).

Le batterie del System M12 sono ricaricabili esclusivamente con i caricatori del System M12. Le batterie di altri sistemi non possono essere ricaricate.

Non aprire né la batteria né il caricatore e conservarli solo in luogo asciutto. Proteggerli dalla umidità.

Nel caso di batterie danneggiate da un carico eccessivo o da temperature alte, l'acido di queste potrebbe fuoriuscire. In caso di contatto con l'acido delle batterie lavarsi immediatamente con acqua e sapone. In caso di contatto con gli occhi risciacquare immediatamente con acqua per almeno 10 minuti e contattare subito un medico.

**Attenzione!** Per ridurre il rischio d'incendio, di lesioni o di danni al prodotto causati da corto circuito, non immergere mai l'utensile, la batteria ricaricabile o il carica batterie in un liquido e non lasciare mai penetrare alcun liquido all'interno dei dispositivi e delle batterie. I fluidi corrosivi o conduttori come acqua salata, alcuni

agenti chimici, agenti candeggianti o prodotti contenenti agenti candeggianti potrebbero provocare un corto circuito.

#### UTILIZZO CONFORME

L'avvitatore industriale a batteria è universalmente utilizzabile per serrare ed allentare viti e dadi anche quando è impossibile collegarsi all'alimentazione di rete.

Utilizzare il prodotto solo per l'uso per cui è previsto.

#### DICHIARAZIONE DI CONFORMITÀ CE

In qualità di produttore dichiariamo sotto la nostra esclusiva responsabilità che il prodotto descritto nei "Dati tecnici" è conforme a tutte le disposizioni pertinenti delle direttive 2011/65/UE (RoHS), 2014/30/UE, 2006/42/CE e dei seguenti documenti normativi armonizzati:

EN 62841-1:2015  
EN 62841-2-2:2014  
EN 55014-1:2017+A11:2020  
EN 55014-2:2015  
EN IEC 63000:2018

Winnenden, 2020-12-02

*Alexander Krug*

Alexander Krug  
Managing Director



Autorizzato alla preparazione della documentazione tecnica

Techtronic Industries GmbH  
Max-Eyth-Straße 10  
71364 Winnenden  
Germany

#### BATTERIE

Batterie non utilizzate per molto tempo devono essere ricaricate prima dell'uso.

A temperature superiori ai 50°C, la potenza della batteria si riduce.

Evitare di esporre l'accumulatore a surriscaldamento prolungato, dovuto ad esempio ai raggi del sole o ad un impianto di riscaldamento.

Per una durata di vita ottimale, dopo l'uso le batterie devono essere completamente ricaricate.

Per una più lunga durata, rimuovere le batterie dal caricabatterie quando saranno cariche.

In caso di immagazzinaggio della batteria per più di 30 giorni:

Immagazzinare la batteria a circa 27°C in ambiente asciutto.

Immagazzinare la batteria con carica di circa il 30% - 50%.

Ricaricare la batteria ogni 6 mesi.

#### DISPOSITIVO ANTISOVRACCARICO ACCUMULATORE

In caso di sovraccarico dell'accumulatore dovuto a consumo molto elevato di corrente, ad es. coppie di serraggio estremamente elevate, bloccaggio della punta, arresto improvviso o cortocircuito, l'elettroutensile romba per 2 secondi e poi si spegne automaticamente.

Per riaccenderlo, rilasciare l'interruttore e poi riaccenderlo.

Se sottoposto a carichi estremi, l'accumulatore può surriscaldarsi. In questo caso l'accumulatore si spegne.

Inserire l'accumulatore nell'apparecchio carica-batterie per ricaricarlo e attivarlo.

#### TRASPORTO DI BATTERIE AGLI IONI DI LITIO

Le batterie agli ioni di litio sono soggette alle disposizioni di legge sul trasporto di merce pericolosa.

Il trasporto di queste batterie deve avvenire rispettando le disposizioni e norme locali, nazionali ed internazionali.

- Gli utilizzatori possono trasportare queste batterie su strada senza alcuna restrizione.
- Il trasporto commerciale di batterie agli ioni di litio è regolato dalle disposizioni sul trasporto di merce pericolosa. Le preparazioni al trasporto ed il trasporto stesso devono essere svolti esclusivamente da

persone idoneamente istruite. Tutto il processo deve essere gestito in maniera professionale.

Durante il trasporto di batterie occorre tenere conto di quanto segue:

- Assicurarsi che i contatti siano protetti ed isolati per evitare corto circuiti.
- Accertarsi che il gruppo di batterie non possa spostarsi all'interno dell'imballaggio.
- Batterie danneggiate o batterie che perdono liquido non devono essere trasportate.

Per ulteriori informazioni si prega di contattare il proprio trasportatore.

#### MANUTENZIONE

Usare solo accessori Milwaukee e pezzi di ricambio Milwaukee. Gruppi costruttivi la cui sostituzione non è stata descritta, devono essere fatti cambiare da un punto di servizio di assistenza tecnica al cliente Milwaukee (vedi depliant garanzia/indirizzi assistenza tecnica ai clienti).

In caso di necessità è possibile richiedere un disegno esploso del dispositivo indicando il modello della macchina ed il numero a sei cifre sulla targa di potenza rivolgendosi al centro di assistenza tecnica o direttamente a Techtronic Industries GmbH, Max-Eyth-Straße 10, 71364 Winnenden, Germany.

#### SIMBOLI



ATTENZIONE! AVVERTENZA! PERICOLO!



Prima di iniziare togliere la batteria dalla macchina.



Leggere attentamente le istruzioni per l'uso prima di mettere in funzione l'elettroutensile.



I dispositivi elettrici, le batterie e le batterie ricaricabili non devono essere smaltiti con i rifiuti domestici. I dispositivi elettrici e le batterie devono essere raccolti separatamente e devono essere conferiti ad un centro di riciclaggio per lo smaltimento rispettoso dell'ambiente. Chiedere alle autorità locali o al rivenditore specializzato dove si trovano i centri di riciclaggio e i punti di raccolta.



Marchio di conformità europeo



Marchio di conformità britannico



Marchio di conformità ucraino



Marchio di conformità euroasiatico



DATOS TÉCNICOS ATORNILLADOR RECARGABLE INDUSTRIAL		M12 FIR14LR	M12 FIR38LR
Número de producción .....	4811 34 01.....	4811 30 01.....	4811 30 01.....
Inserción de herramientas .....	1/4" (6,35 mm).....	3/8" (9,5 mm)	3/8" (9,5 mm)
Velocidad en vacío .....	0-250 min <sup>-1</sup> .....	0-200 min <sup>-1</sup>	0-200 min <sup>-1</sup>
Par .....	54 Nm .....	75 Nm	75 Nm
Voltaje de batería.....	12 V .....	12 V	12 V
Peso de acuerdo con el procedimiento EPTA 01/2014 (2,0 Ah ... 6,0 Ah) .....	1,13 kg ... 1,3 kg .....	1,4 kg ... 1,6 kg	1,4 kg ... 1,6 kg
Temperatura ambiente recomendada durante el trabajo.....	-18°C ... +50°C		
Tipos de acumulador recomendados .....	M12B .....		
Cargadores recomendados .....	C12C, M12C4, M12-18...		

### Información sobre ruidos / vibraciones

Determinación de los valores de medición según norma EN 62841.

El nivel de ruido típico del aparato determinado con un filtro A

corresponde a:

Presión acústica (Tolerancia K=3dB(A))..... 79,99 dB (A)..... 81,95 dB (A)

Resonancia acústica (Tolerancia K=3dB(A))..... 90,99 dB (A)..... 92,95 dB (A)

### Usar protectores auditivos!

Nivel total de vibraciones (suma vectorial de tres direcciones)

determinado según EN 62841.

Valor de vibraciones generadas a<sub>n</sub>

Apretar tornillos y tuercas de tamaño máximo ..... 1,44 m/s<sup>2</sup>..... 2,64 m/s<sup>2</sup>

Tolerancia K = ..... 1,5 m/s<sup>2</sup>..... 1,5 m/s<sup>2</sup>

### ADVERTENCIA

El nivel de emisión de ruido y vibración indicado en esta hoja informativa se ha medido de acuerdo con una prueba estandarizada que figura en EN 62841 y se puede usar para comparar una herramienta con otra. Puede ser empleado para una evaluación preliminar de la exposición.

El nivel declarado emisión de vibración y ruido representa las principales aplicaciones de la herramienta. Sin embargo, si la herramienta se utiliza para diferentes aplicaciones, con diferentes accesorios o con un mantenimiento deficiente, la emisión de ruido y vibración puede diferir. Esto puede aumentar significativamente el nivel de exposición durante el periodo total de trabajo.

También se debe tener en cuenta una estimación del nivel de exposición a la vibración y el ruido cuando la herramienta está apagada o cuando está funcionando, pero no está haciendo su trabajo. Esto puede reducir significativamente el nivel de exposición durante el periodo total de trabajo.

Identifique medidas de seguridad adicionales para proteger al operador de los efectos de la vibración o el ruido, como realizar mantenimiento de la herramienta y los accesorios, mantener las manos calientes y organizar las pautas de trabajo.

**⚠ ADVERTENCIA: Lea todas las advertencias de peligro, instrucciones, ilustraciones y especificaciones suministradas con esta herramienta eléctrica.** En caso de no atenerse a las instrucciones siguientes, ello puede ocasionar una descarga eléctrica, un incendio y/o lesión grave.

### ⚠ INSTRUCCIONES DE SEGURIDAD PARA ATORNILLADOR DE IMPACTO

**Sujete el aparato por las superficies de sujeción aisladas cuando realice trabajos en los que el tornillo puede alcanzar líneas de corriente eléctrica ocultas.** El contacto del tornillo con una línea conductora de corriente puede poner las partes metálicas del aparato bajo tensión y provocar un choque eléctrico.

**¡Utilice protección auditiva!** La exposición a niveles de ruido excesivos puede causar pérdida de audición

### INSTRUCCIONES ADICIONALES DE SEGURIDAD Y LABORALES

Utilice el equipamiento de protección. Mientras trabaje con la máquina lleve siempre gafas protectoras. Se recomienda utilizar ropa de protección como máscara protectora contra el polvo, guantes protectores, calzado resistente y antideslizante, casco y protección para los oídos.

El polvo que se produce durante estos trabajos puede ser nocivo a la salud; es por ello es aconsejable que no penetre al cuerpo.

Utilice por ello una máscara protectora contra polvo.

No se deben trabajar materiales que conlleven un riesgo para la salud (por ej. amianto).

¡En caso de que se bloquee el útil, el aparato se debe desconectar inmediatamente! No vuelva a conectar el aparato, mientras el útil esté bloqueado; se podría producir un rechazo debido a la reacción de retroceso brusca. Averigüe y elimine la causa del bloqueo del útil, teniendo en cuenta las indicaciones de seguridad.

Causas posibles para ello pueden ser:

- Atascamiento o bloqueo en la pieza de trabajo

- Rotura del material con el que está trabajando
- Sobrecarga de la herramienta eléctrica

No introduzca las manos en la máquina mientras ésta se encuentra en funcionamiento.

El útil se puede calentar durante el uso.

**ADVERTENCIA!** Peligro de quemaduras

- en caso de cambiar la herramienta
- en caso de depositar el aparato

Nunca se debe intentar limpiar el polvo o viruta procedente del taladrado con la máquina en funcionamiento.

Para trabajar en paredes, techo o suelo, tenga cuidado para evitar los cables eléctricos y tuberías de gas o agua.

Fije la pieza de trabajo con un dispositivo de fijación. Las piezas de trabajo no fijadas pueden causar lesiones graves y deterioros.

Retire la batería antes de comenzar cualquier trabajo en la máquina.

No tire las baterías usadas a la basura ni al fuego. Los Distribuidores Milwaukee ofrecen un servicio de recogida de baterías antiguas para proteger el medio ambiente.

No almacene la batería con objetos metálicos (riesgo de cortocircuito).

Recargar solamente los acumuladores del Sistema M12 en cargadores M12. No intentar recargar acumuladores de otros sistemas.

No abra nunca las baterías ni los cargadores y guárdelos sólo en lugares secos. Protéjalos de la humedad en todo momento.

En caso de sobrecarga o alta temperatura, pueden llegar a producirse escapes de ácido provenientes de la batería. En caso de contacto con éste, limpie inmediatamente la zona con agua y jabón. Si el contacto es en los ojos, límpiense concienzudamente con agua durante 10 minutos y acuda inmediatamente a un médico

**Advertencia!** Para reducir el riesgo de incendio, lesión personales y daños al producto debido a un cortocircuito, no sumerja nunca la

herramienta, el pa-quete de baterías o el cargador en líquido ni permita que fluya un fluido dentro de ellos. Los fluidos corrosivos o conductivos, como el agua de mar, ciertos productos quími-cos industriales y blanqueadores o lejías que contienen, etc., Pueden causar un cortocircuito.

### APLICACIÓN DE ACUERDO A LA FINALIDAD

El atornillador recargable industrial se puede usar universalmente para apretar y aflojar tornillos y tuercas, independientemente de una conexión a la red.

No utilice este producto para ninguna otra aplicación que no sea su uso normal.

### DECLARACION DE CONFORMIDAD CE

Declaramos como fabricante y bajo nuestra responsabilidad que el producto descrito bajo "Datos técnicos" está en conformidad con todas las normas relevantes de las directivas 2011/65/UE (RoHS), 2014/30/UE, 2006/42/CE y con las siguientes normas o documentos normalizados:

EN 62841-1:2015

EN 62841-2-2:2014

EN 55014-1:2017+A11:2020

EN 55014-2:2015

EN IEC 63000:2018

Winnenden, 2020-12-02

*Alexander Krug*

Alexander Krug  
Managing Director



Autorizado para la redacción de los documentos técnicos.

Techtronic Industries GmbH

Max-Eyth-Straße 10

71364 Winnenden

Germany

### BATERIA

Las baterías no utilizadas durante cierto tiempo deben ser recargadas antes de usar.

Las temperaturas superiores a 50°C reducen el rendimiento de la batería. Evite una exposición excesiva a fuentes de calor o al sol (riesgo de sobrecalentamiento).

Los puntos de contacto de los cargadores y las baterías se deben mantener limpios.

Para un tiempo de vida óptimo, deberán cargarse completamente las baterías después de su uso.

Para garantizar la máxima capacidad y vida útil, las baterías recargables se deberían retirar del cargador una vez finalizada la carga.

En caso de almacenar la batería recargable más de 30 días:

Almacenar la batería recargable en un lugar seco a una

temperatura de aproximadamente 27°C.

Almacenar la batería recargable con un estado de carga del 30% y 50% aproximadamente.

Recargar la batería cada 6 meses.

### PROTECCIÓN CONTRA SOBRECARGA DE LA BATERÍA

En caso de sobrecarga del acumulador por consumo muy elevado de corriente, por ej. debido a pares muy elevados, agarrotamiento del taladro, parada repentina o cortocircuito, la herramienta eléctrica zumbará durante 2 segundos y se desconectará automáticamente.

Para reconectarla, liberar primero el gatillo interruptor y después conectarla de nuevo.

Bajo cargas extremas, el acumulador se puede calentar mucho. En este caso desconectar el acumulador.

Meta entonces la batería en el cargador para recargarla otra vez y activarla.

### TRANSPORTE DE BATERÍAS DE IONES DE LITIO

Las baterías de iones de litio caen bajo las disposiciones legales relativas al transporte de mercancías peligrosas.

El transporte de estas baterías recargables debe llevarse a cabo, observando las normas y disposiciones locales, nacionales e internacionales.

- Los consumidores pueden transportar estas baterías recargables sin el menor reparo en la calle.
- El transporte comercial de baterías recargables de iones de litio por empresas de transportes está sometido a las disposiciones del transporte de mercancías peligrosas. Las preparaciones para el envío y el transporte deben ser llevados a cabo exclusivamente por personas instruidas adecuadamente. El proceso completo debe ser supervisado por personal competente.

Los siguientes puntos se deben observar para el transporte de las baterías recargables:

- Se debe asegurar que los contactos estén protegidos y aislados para evitar que se produzcan cortocircuitos.
- Preste atención a que el conjunto de baterías recargables no se pueda desplazar dentro del envase.
- Las baterías recargables deterioradas o derramadas no se deben transportar.

Rogamos que para cualquier información adicional se dirija a su empresa de transportes.

### MANTENIMIENTO

Utilice solamente accesorios y repuestos Milwaukee. En caso de necesitar reemplazar componentes no descritos, contacte con cualquiera de nuestras estaciones de servicio Milwaukee (consultar lista de servicio técnicos)

Puede solicitar, en caso necesario, una vista despiezada del aparato bajo indicación del tipo de máquina y el número de seis dígitos en la placa indicadora de potencia en su Servicio de Postventa o directamente en Techtronic Industries GmbH, Max-Eyth-Straße 10, 71364 Winnenden, Germany.

### SÍMBOLOS

	¡ATENCIÓN! ¡ADVERTENCIA! ¡PELIGRO!
	Retire la batería antes de comenzar cualquier trabajo en la máquina.
	Lea las instrucciones detenidamente antes de conectar la herramienta
	Los electrodomésticos y las baterías/acumuladores no se deben eliminar junto con la basura doméstica. Los aparatos eléctricos y los acumuladores se deben recoger por separado y se deben entregar a una empresa de reciclaje para una eliminación respetuosa con el medio ambiente. Infórmese en las autoridades locales o en su tienda especializada sobre los centros de reciclaje y puntos de recogida.
	Marcado de conformidad europeo
	Marcado de conformidad británico
	Marcado de conformidad ucraniano
	Marcado de conformidad euroasiático

CARACTERÍSTICAS TÉCNICAS	APARAFUSADORA INDUSTRIAL SEM FIO	M12 FIR14LR	M12 FIR38LR
Número de produção.....	4811 34 01.....	4811 30 01...	4811 30 01...
Recepção de pontas.....	...000001-999999	...000001-999999	...000001-999999
Nº de rotações em vazio.....	1/4" (6,35 mm).....	3/8" (9,5 mm)	3/8" (9,5 mm)
Binário.....	0-250 min <sup>-1</sup> .....	0-200 min <sup>-1</sup>	0-200 min <sup>-1</sup>
Tensão do acumulador.....	54 Nm.....	75 Nm	75 Nm
Peso nos termos do procedimento-EPTA 01/2014 (2,0 Ah ... 6,0 Ah).....	12 V.....	12 V	12 V
Temperatura ambiente recomendada ao trabalhar.....	1,13 kg ... 1,3 kg.....	1,4 kg ... 1,6 kg	1,4 kg ... 1,6 kg
Tipos de baterias recomendadas.....	-18°C ... +50°C	M12B...	M12B...
Carregadores recomendados.....	C12C, M12C4, M12-18...		

### Informações sobre ruído/vibração

Valores de medida de acordo com EN 62841.

O nível de ruído avaliado A do aparelho é tipicamente:

Nível da pressão de ruído (Incertez K=3dB(A))..... 79,99 dB (A)..... 81,95 dB (A)

Nível da potência de ruído (Incertez K=3dB(A))..... 90,99 dB (A)..... 92,95 dB (A)

### Use protectores auriculares!

Valores totais de vibração (soma dos vectores das três direcções)

determinadas conforme EN 62841.

Valor de emissão de vibração a<sub>w</sub>

Apertar parafusos e porcas com o tamanho máximo ..... 1,44 m/s<sup>2</sup>..... 2,64 m/s<sup>2</sup>

Incerteza K = ..... 1,5 m/s<sup>2</sup>..... 1,5 m/s<sup>2</sup>

### ATENÇÃO

O nível de emissão de ruído e vibração fornecido nesta ficha de informações foi medido de acordo com um teste padronizado que se encontra na norma EN 62841, podendo ser utilizado para fazer comparações entre ferramentas. Pode ser utilizado para fazer uma avaliação preliminar da exposição.

O nível de emissão de ruído e vibração declarado representa as principais aplicações da ferramenta. No entanto, se a ferramenta for utilizada para aplicações diferentes ou com acessórios distintos, ou se a sua manutenção for deficiente, a emissão de ruídos e vibrações poderá diferir. Isso poderá aumentar significativamente o nível de exposição ao longo do período de trabalho total.

A estimativa do nível de exposição à vibração e ruído também deve ter em conta os tempos em que a ferramenta, quer desligada quer em funcionamento, não está realmente a trabalhar. Isso poderá reduzir significativamente o nível de exposição ao longo do período de trabalho total.

Identifique medidas de segurança adicionais para proteger o operador contra os efeitos da vibração e/ou ruído, tais como: fazer a manutenção da ferramenta e dos acessórios, manter as mãos quentes, organizar padrões de trabalho.

**⚠ ADVERTÊNCIA** Devem ser lidas todas as advertências de segurança, instruções, ilustrações e especificações fornecidas para esta ferramenta eléctrica. O desrespeito das advertências e instruções apresentadas abaixo pode causar choque eléctrico, incêndio e/ou graves lesões.

### ⚠ INSTRUÇÕES DE SEGURANÇA PARA APARAFUSADORA DE IMPACTO

**Segure o aparelho pela superfície isoladora do punho, se executar trabalhos nos quais o parafuso possa tocar em linhas eléctricas ocultas.** O contacto do parafuso com uma linha sob tensão pode também colocar peças metálicas do aparelho sob tensão e provocar um choque eléctrico.

**Sempre use a protecção dos ouvidos.** A influência de ruídos pode causar surdez.

### INSTRUÇÕES DE SEGURANÇA E TRABALHO SUPLEMENTARES

Utilizar equipamento de protecção. Durante os trabalhos com a máquina, usar sempre óculos de protecção. Vestuário de protecção, bem como máscara de pó, sapatos fechados e antiderrapante, capacete e protecção auditiva são recomendados.

O pó que resulta ao trabalhar pode ser nocivo para a saúde, por isso não devendo penetrar no corpo. Use uma máscara de protecção contra pó apropriada.

Não devem ser processados materiais que representem um perigo para a saúde (p. ex. asbesto).

Desligue o aparelho imediatamente, quando a ferramenta de inserção bloquear! Não ligue o aparelho novamente durante o bloqueio da ferramenta de inserção, pois isso pode levar a um recuo repentino com uma alta força reactiva. Verifique e elimine a causa do bloqueio da ferramenta de inserção, observando as instruções de segurança.

Causas possíveis podem ser:

- Emperramento na peça a trabalhar
- Material a processar rompido

- Sobrecarga da ferramenta eléctrica

Não toque na máquina em operação.

A ferramenta de inserção pode ficar quente durante a operação.

**ATENÇÃO!** Perigo de queimar-se

- na troca das ferramentas
- ao depositar o aparelho

Não remover aparas ou lascas enquanto a máquina trabalha.

Ao trabalhar em paredes, tectos e soalhos prestar atenção a que não sejam atingidos cabos eléctricos e canalizações de gás e água.

Fixe a peça a trabalhar com um dispositivo de fixação. Peças a trabalhar não fixadas podem levar a feridas graves e danos sérios.

Antes de efectuar qualquer intervenção na máquina retirar o bloco acumulador.

Não queimar acumuladores gastos nem deitá-los no lixo doméstico. A Milwaukee possui uma eliminação de acumuladores gastos que respeita o meio ambiente.

Não guardar acumuladores junto com objectos metálicos (perigo de curto-circuito).

Use apenas carregadores do Sistema M12 para recarregar os acumuladores do Sistema M12. Não utilize acumuladores de outros sistemas.

Carregadores só devem ser utilizados em recintos secos.

Em caso de cargas ou temperaturas extremas, um acumulador de substituição danificado poderá verter líquido de bateria. Se entrar em contacto com este líquido, deverá lavar-se imediatamente com água e sabão. Em caso de contacto com os olhos, enxagüe-os bem e de imediato durante pelo menos 10 minutos e consulte um médico o mais depressa possível.

**Advertência!** Para evitar o risco de incêndio, de feridas ou de danificação do produto causado por um curto-circuito, não imerja a bateria intercambiável ou o carregador em líquidos e assegure-se de que líquidos não penetrem nos aparelhos ou nas baterias. Líquidos corrosivos ou condutivos como água salgada,

determinadas substâncias químicas ou produtos que contenham branqueadores podem causar um curto-circuito.

### UTILIZAÇÃO AUTORIZADA

A aparafusadora industrial sem fio pode ser usada universalmente para fixar e soltar parafusos e porcas, independente de uma conexão à rede.

Não use este produto de outra maneira sem ser a normal para o qual foi concebido.

### DECLARAÇÃO DE CONFORMIDADE CE

Como fabricante, declaramos sob responsabilidade exclusiva, que o produto descrito sob "Dados Técnicos" corresponde com todas as disposições relevantes das diretivas 2011/65/UE (RoHS), 2014/30/UE, 2006/42/CE e dos seguintes documentos normativos harmonizados:

EN 62841-1:2015  
EN 62841-2-2:2014  
EN 55014-1:2017+A11:2020  
EN 55014-2:2015  
EN IEC 63000:2018

Winnenden, 2020-12-02

*Alexander Krug*

Alexander Krug  
Managing Director



Autorizado a reunir a documentação técnica.

Techtronic Industries GmbH  
Max-Eyth-Straße 10  
71364 Winnenden  
Germany

### ACUMULADOR

Acumuladores não utilizados durante algum tempo devem ser recarregados antes da sua utilização.

Temperaturas acima de 50°C reduzem a capacidade do bloco acumulador. Evitar exposição prolongada ao sol ou a caloríferos. Manter limpos os contactos eléctricos no carregador e no bloco acumulador.

Para uma vida útil óptima dos acumuladores, terá que carregá-los plenamente após a sua utilização.

Para assegurar uma vida útil longa, o pacote de bateria deve ser removido da carregadora depois do carregamento.

Se o pacote de bateria for armazenado por mais de 30 dias: Armazene o pacote de bateria com aprox. 27°C em um lugar seco. Armazene o pacote de bateria com aprox. 30%-50% da carga completa.

Carregue o pacote de bateria novamente de 6 em 6 meses.

### PROTECÇÃO DE SOBRECARGA DE BATERIA

No caso de sobrecarga da bateria devido a um consumo de corrente demasiado elevado, por exemplo um binário de rotação extremamente elevado, um bloqueio da broca, uma paragem repentina ou um curto-circuito, a ferramenta eléctrica vibra durante 2 segundos e desliga-se automaticamente.

Para a ligar novamente, desligar e voltar a ligar o interruptor. Sob condições extremas, a bateria pode aquecer demasiado. Neste caso a bateria desliga-se. Voltar então a colocar o acumulador no carregador para o carregar de novo e para assim o activar.

### TRANSPORTE DE BATERIAS DE IÃO-LÍCIO

Baterias de ião-lítio estão sujeitas às disposições da legislação relativa às substâncias perigosas.

O transporte destas baterias deve ser efetuado de acordo com as disposições e os regulamentos locais, nacionais e internacionais.

- O utilizador pode efetuar o transporte rodoviário destas baterias sem restrições.
- O transporte comercial de baterias de ião-lítio por terceiros está sujeito aos regulamentos relativos às substâncias perigosas. A

preparação do transporte e o transporte devem ser executados exclusivamente por pessoas instruídas e o processo deve ser acompanhado pelos especialistas correspondentes.

Observe o seguinte no transporte de baterias:

- Assegure-se de que os contactos terminais estejam protegidos e isolados para evitar um curto-circuito.
- Assegure-se de que o bloco da bateria esteja protegido contra movimentos na embalagem.
- Não transporte baterias danificadas ou que tenham fuga.

Para instruções mais detalhadas consulte a companhia de transportes

### MANUTENÇÃO

Utilizar apenas acessórios Milwaukee e peças sobresselentes Milwaukee. Os componentes cuja substituição não esteja descrita devem ser substituídos num serviço de assistência técnica Milwaukee (consultar a brochura relativa à garantia/moradas dos serviços de assistência técnica).

Se for necessário, um desenho de explosão do aparelho pode ser solicitado do seu posto de assistência ao cliente ou directamente da Techtronic Industries GmbH, Max-Eyth-Straße 10, 71364 Winnenden, Alemanha, indicando o tipo da máquina e o número de seis posições na chapa indicadora da potência.

### SYMBOLS



ATENÇÃO! PERIGO!



Antes de efectuar qualquer intervenção na máquina retirar o bloco acumulador.



Leia atentamente o manual de instruções antes de colocar a máquina em funcionamento.



Aparelhos eléctricos, baterias/acumuladores não devem ser jogados no lixo doméstico. Os aparelhos eléctricos e as baterias devem ser colectados separadamente e entregues a uma empresa de reciclagem para a eliminação correcta. Solicite informações sobre empresas de reciclagem e postos de colecta de lixo das autoridades locais ou do seu vendedor autorizado.



Marca de Conformidade Europeia



Marca de Conformidade Britânica



Marca de Conformidade Ucraniana



Marca de Conformidade Eurasiática

TECHNISCHE GEGEVENS	INDUSTRIËLE ACCUSCHROEVENDRAAIER	M12 FIR14LR	M12 FIR38LR
Productienummer .....	4811 34 01 .....	4811 30 01 .....	4811 30 01 .....
Werktuigopname .....	000001-999999 .....	000001-999999 .....	000001-999999 .....
Onbelast toerental .....	1/4" (6,35 mm) .....	3/8" (9,5 mm) .....	3/8" (9,5 mm) .....
Draaimoment .....	0-250 min <sup>-1</sup> .....	0-200 min <sup>-1</sup> .....	0-200 min <sup>-1</sup> .....
Spanning wisselakku .....	54 Nm .....	75 Nm .....	75 Nm .....
Gewicht volgens de EPTA-procedure 01/2014 (2,0 Ah ... 6,0 Ah) .....	12 V .....	12 V .....	12 V .....
Aanbevolen omgevingstemperatuur tijdens het werken .....	1,13 kg ... 1,3 kg .....	1,4 kg ... 1,6 kg .....	1,4 kg ... 1,6 kg .....
Aanbevolen accutypes .....	-18°C ... +50°C .....	M12B .....	M12B .....
Aanbevolen laadtoestellen .....	C12C, M12C4, M12-18...		

#### Geluids-/trillingsinformatie

Meetwaarden vastgesteld volgens EN 62841.

Het kenmerkende A-gewogen geluidsniveau van de machine bedraagt:

Geluidsdrukniveau (Onzekerheid K=3dB(A)) .....	79,99 dB (A) .....	81,95 dB (A) .....
Geluidsvermogeniveau (Onzekerheid K=3dB(A)) .....	90,99 dB (A) .....	92,95 dB (A) .....

#### Draag oorbeschermers!

Totale trillingswaarden (vectorsom van drie richtingen) bepaald volgens EN 62841.

Trillingsemisiewaarde a<sub>w</sub>

Vastdraaien van schroeven en moeren van maximale grootte .....	1,44 m/s <sup>2</sup> .....	2,64 m/s <sup>2</sup> .....
Onzekerheid K = .....	1,5 m/s <sup>2</sup> .....	1,5 m/s <sup>2</sup> .....

#### WAARSCHUWING

De in dit informatieblad vermelde trillings- en geluidsniveaus zijn gemeten in overeenstemming met een standaard testmethode conform EN 62841 en kunnen worden gebruikt om gereedschap met elkaar te vergelijken. Deze kunnen ook worden gebruikt voor het vooraf evalueren van de blootstelling.

De vermelde trillings- en geluidsniveaus gelden voor de meest gebruikelijke toepassingen van het gereedschap. Wanneer het gereedschap echter voor andere doeleinden of met andere hulpstukken gebruikt wordt of niet naar behoren onderhouden wordt, kan de mate van blootstelling over de hele werkperiode aanzienlijk hoger uitvallen.

Voor een nauwkeurige inschatting van de blootstelling aan trillingen en geluid moet ook de tijd in aanmerking worden genomen die het apparaat uitgeschakeld is of weliswaar loopt, maar niet werkelijk in gebruik is. Dit kan de waarde van de mate aan blootstelling over de hele werkperiode aanzienlijk verminderen.

Bepaal extra veiligheidsmaatregelen ter bescherming van de gebruiker tegen de gevolgen van trillingen en/of geluid, bijvoorbeeld: onderhoud van het gereedschap en hulpstukken, warmhouden van de handen, organisatie van de werkprocessen.

**⚠ WAARSCHUWING! Lees alle veiligheidswaarschuwingen, voorschriften, afbeeldingen en specificaties voor dit elektrische gereedschap.** Als de onderstaande waarschuwingen niet worden opgevolgd, kan dit een elektrische schok, brand of ernstig letsel tot gevolg hebben.

#### ⚠ VEILIGHEIDSLINSTRUCTIES VOOR SLAGMOERSLEUTEL

**Houd het apparaat alléén vast aan de geïsoleerde grijpvlakken als u werkzaamheden uitvoert waarbij de schroef verborgen stroomleidingen zou kunnen raken.** Het contact van de schroef met een spanningvoerende leiding kan de metalen apparaatdelen onder spanning zetten en zo tot een elektrische schok leiden.

**Draag oorbeschermers.** Blootstelling aan geluid kan het gehoor beschadigen.

#### VERDERE VEILIGHEIDS- EN WERKINSTRUCTIES

Draag veiligheidsuitrusting. Bij werkzaamheden met de machine dient u altijd een veiligheidsbril te dragen. Veiligheidskleding zoals stofmasker, veiligheidshandschoenen, stevig en slipvast schoeisel, helm en gehoorbescherming worden aanbevolen.

Het gedurende het werken vrijkomende stof is doorgaans schadelijk

voor de gezondheid en mag niet met het lichaam in aanraking komen. Draag derhalve een geschikt stofbeschermsmasker.

Het is niet toegestaan, materialen te bewerken waarvan een gezondheidsgevaar uitgaat (bijv. asbest).

Schakel het apparaat onmiddellijk uit als het gereedschap blokkeert! Schakel het apparaat niet in zolang het gereedschap geblokkeerd is; dit zou een terugslag met een hoog reactiemoment kunnen veroorzaken. Achterhaal en verhelp de oorzaak voor de blokkering van het gereedschap met inachtneming van de veiligheidsinstructies.

Mogelijke oorzaken voor de blokkering:

- kantelen in het te bewerken werkstuk
- doorbreken van het te bewerken materiaal
- overbelasting van het elektrische gereedschap

Grijp niet in de lopende machine.

Het gereedschap kan heet worden tijdens het gebruik.

**WAARSCHUWING!** Gevaar voor verbranding

- bij het vervangen van het gereedschap
- bij het neerleggen van het apparaat

Spanen of splinters mogen bij draaiende machine niet worden verwijderd.

Bij het werken in wanden, plafonds of vloeren oppassen voor elektriciteitsdraden, gas- of waterleidingen.

Borg uw werkstuk met behulp van een spaninrichting. Niet geborgde werkstukken kunnen ernstig letsel en grote schade veroorzaken.

Voor alle werkzaamheden aan de machine de accu verwijderen.

Verbruikte accu's niet in het vuur of bij het huisvuil werpen.

Milwaukee biedt namelijk een milieuvriendelijke recyclingmethode voor uw oude accu's.

Wisselakku's niet bij metalen voorwerpen bewaren (kortsluitingsgevaar!)

Wisselakku's van het Akku-Systeem M12 alléén met laadapparaten van het Akku-Systeem M12 laden. Geen accu's van andere systemen laden.

Wisselakku's en laadapparaten niet openen en alleen in droge ruimtes opslaan. Tegen vocht beschermen.

Onder extreme belasting of extreme temperaturen kan uit de accu accu-vloeistof lopen. Na contact met accu-vloeistof direct afwassen met water en zeep. Bij oogcontact direct minstens 10 minuten grondig spoelen en onmiddellijk een arts raadplegen.

**Waarschuwing!** Voorkom brand, persoonlijk letsel of materiële schade door kortsluiting en dompel het gereedschap, de wisselakku en het laadtoestel niet onder in vloeistoffen en waarborg dat geen vloeistoffen in de apparaten en accu's kunnen dringen. Corrosieve of geleidende vloeistoffen zoals zout water, bepaalde chemicaliën, bleekmiddelen of producten die bleekmiddelen bevatten, kunnen een kortsluiting veroorzaken.

#### VOORGESCHREVEN GEBRUIK VAN HET SYSTEEM

De industriële accuschroevendraaier is universeel toepasbaar voor het vast- en losdraaien van schroeven en moeren zonder afhankelijk te moeten zijn van een netaansluiting.

Dit apparaat uitsluitend gebruiken voor normaal gebruik, zoals aangegeven.

#### EC - VERKLARING VAN OVEREENSTEMMING

Wij als fabrikant verklaren in uitsluitend verantwoording dat het onder 'Technische gegevens' beschreven product overeenstemt met alle relevante voorschriften van de richtlijnen 2011/65/EU (RoHS), 2014/30/EU, 2006/42/EG en de volgende geharmoniseerde normatieve documenten:

EN 62841-1:2015  
EN 62841-2-2:2014  
EN 55014-1:2017+A11:2020  
EN 55014-2:2015  
EN IEC 63000:2018

Winnenden, 2020-12-02

*Alexander Krug*

Alexander Krug  
Managing Director



Gemachtigd voor samenstelling van de technische documenten

Techtronic Industries GmbH  
Max-Eyth-Straße 10  
71364 Winnenden  
Germany

#### AKKU

Langere tijd niet toegepaste wisselakku's vóór gebruik altijd naladen.

Een temperatuur boven de 50°C vermindert de capaciteit van de accu. Langdurige verwarming door zon of hitte vermijden.

De aansluitcontacten aan het laadapparaat en de accu schoonhouden.

Voor een optimale levensduur moeten de accu's na het gebruik volledig opgeladen worden.

Voor een zo lang mogelijke levensduur van de accu's dienen deze na het opladen uit het laadtoestel te worden verwijderd.

Bij een langere opslag van de accu dan 30 dagen:

accu bij ca. 27 °C droog bewaren.

accu bij ca. 30 % - 50 % van de laadtoestand bewaren.

accu om de 6 maanden opnieuw opladen.

#### OVERBELASTINGSBEVEILIGING VAN DE ACCU

Bij overbelasting van de accu door een zeer hoog stroomverbruik, bijv. extreem hoge draaimomenten, klemmen van de boor, plotseling stoppen of kortsluiting, vibreert het elektrische gereedschap gedurende 2 seconden en schakelt dan automatisch uit.

Om het gereedschap weer in te schakelen, moet u de drukschakelaar loslaten en vervolgens weer inschakelen.

Onder extreme belastingen wordt de accu te heet. In dit geval schakelt hij uit.

Steek de accu in het laadtoestel om hem weer op te laden en te activeren.

#### TRANSPORT VAN LITHIUM-IONEN-ACCU'S

Lithium-ionen-accu's vallen onder de wettelijke bepalingen inzake het transport van gevaarlijke goederen.

Voor het transport van deze accu's moeten de lokale, nationale en internationale voorschriften en bepalingen in acht worden genomen.

- Verbruikers mogen deze accu's zonder meer over de weg transporteren.
- Het commerciële transport van lithium-ionen-accu's door expeditiebedrijven is onderhevig aan de bepalingen inzake het transport van gevaarlijke goederen. De verzendingsvoorbereidingen en het transport mogen uitsluitend worden uitgevoerd door dienovereenkomstig

opgeleide personen. Het complete proces moet vakkundig worden begeleid.

Onderstaande punten moeten bij het transport van accu's in acht worden genomen:

- Waarborg ter vermijding van kortsluitingen dat de contacten beschermd en geïsoleerd zijn.
- Let op dat het accupack in de verpakking niet kan verschuiven.
- Beschadigde of lekkende accu's mogen niet worden getransporteerd.

Neem voor meer informatie contact op met uw expeditiebedrijf.

#### ONDERHOUD

Gebruik uitsluitend Milwaukee toebehoren en onderdelen. Indien componenten die moeten worden vervangen niet zijn beschreven, neem dan contact op met een officieel Milwaukee servicecentrum (zie onze lijst met servicecentra).

Zo nodig kan een explosietekening van het apparaat worden aangevraagd bij uw klantenservice of direct bij Techtronic Industries GmbH, Max-Eyth-Straße 10, 71364 Winnenden, Duitsland onder vermelding van het machinetype en het zescijferige nummer op het typeplaatje.

#### SYMBOLLEN

	OPGELET! WAARSCHUWING! GEVAAR!
	Voor alle werkzaamheden aan de machine de accu verwijderen.
	Graag instructies zorgvuldig doorlezen vóórdat u de machine in gebruik neemt.
	Elektrische apparaten, batterijen en accu's mogen niet via het huisafval worden afgevoerd. Elektrische apparaten en accu's moeten gescheiden worden verzameld en voor een milieuvriendelijke afvoer worden afgegeven bij een recyclingbedrijf. Informeer bij uw gemeente of bij uw vakhandelaar naar recyclingbedrijven en inzamel punten.
	Europees symbool van overeenstemming
	Brits symbool van overeenstemming
	Oekraïens symbool van overeenstemming
	Euro-Aziatisch symbool van overeenstemming



TEKNISKE DATA	AKKU-INDUSTRISKRUEMASKINE	M12 FIR14LR	M12 FIR38LR
Produktionsnummer .....	4811 34 01.....	4811 30 01.....	4811 30 01.....
Værktøjsholder .....	000001-999999 .....	000001-999999 .....	000001-999999 .....
Omdrejningstal, ubelastet.....	1/4" (6,35 mm).....	3/8" (9,5 mm)	3/8" (9,5 mm)
Drejningsmoment .....	0-250 min <sup>-1</sup> .....	0-200 min <sup>-1</sup>	0-200 min <sup>-1</sup>
Udskiftningsbatteriets spænding .....	54 Nm .....	75 Nm	75 Nm
Vægt svarer til EPTA-procedure 01/2014 (2,0 Ah ... 6,0 Ah).....	12 V .....	12 V	12 V
Anbefalet temperatur under arbejdet.....	1,13 kg ... 1,3 kg.....	1,4 kg ... 1,6 kg	1,4 kg ... 1,6 kg
Anbefalede batterityper .....	-18°C ... +50°C	M12B...	M12B...
Anbefalede opladere .....	C12C, M12C4, M12-18...		

### Støj/Vibrationsinformation

Måleværdier beregnes iht. EN 62841.

Værktøjets A-vurderede støjniveau er typisk:

Lydtrykniveau (Usikkerhed K=3dB(A)) .....	79,99 dB (A).....	81,95 dB (A)
Lydeffekt niveau (Usikkerhed K=3dB(A)) .....	90,99 dB (A).....	92,95 dB (A)

### Brug høreværn!

Samlede vibrationsværdier (værdisum for tre retninger) beregnet iht. EN 62841.

Vibrationseksponering a<sub>h</sub>

Tilspænding af skruer og møtrikker af maksimal størrelse.....	1,44 m/s <sup>2</sup> .....	2,64 m/s <sup>2</sup>
Usikkerhed K = .....	1,5 m/s <sup>2</sup> .....	1,5 m/s <sup>2</sup>

### ADVARSEL

Det vibrations- og støjmissionsniveau, der nævnes i dette oplysningskema, er blevet målt i overensstemmelse med en standardiseret test fra EN 62841, og det kan bruges til at sammenligne ét værktøj med et andet. Det kan bruges til en foreløbig bedømmelse af eksponeringen.

Det erklærede vibrations- og støjmissionsniveau repræsenterer værktøjets primære anvendelsesformål. Det er dog sådan, at hvis værktøjet bruges til andre formål, med forskelligt tilbehør eller dårlig vedligehold, så kan vibrations- og støjmissionen variere. Det kan evt. øge eksponeringsniveauet markant i løbet af det samlede arbejdstidsrum.

En vurdering af eksponeringsniveauet ift. vibration og støj bør også tage hensyn til de tidspunkter, hvor værktøjet er slukket eller hvor det kører, men rent faktisk ikke udfører jobbet. Det kan evt. mindske eksponeringsniveauet markant i løbet af det samlede arbejdstidsrum.

Identificer yderligere sikkerhedsforanstaltninger med henblik på at beskytte brugeren mod effekten af vibration og/eller støj, som fx: vedligehold værktøjet og tilbehøret, hold hænderne varme, organisering af arbejdsmønstre.

**ADVARSEL** Læs alle advarselsinformationer, anvisninger, figurer og specifikationer, som følger med dette el-værktøj. En manglende overholdelse af alle nedenstående anvisninger kan medføre elektrisk stød, brand og/eller alvorlige kvæstelser.

### SIKKERHEDSANVISNINGER FOR ARBEJDE MED SLAGSKRUEØGLE

Når du udfører arbejde, der indebærer en risiko for, at skruen kan ramme skjulte strømledninger, skal du holde i maskinens isolerede greb. Skruens kontakt med en spændingsførende ledning kan sætte metalliske maskindele under spænding og medføre elektrisk stød.

Bær høreværn. Støjpåvirkning kan bevirke tab af hørelse.

### YDERLIGERE SIKKERHEDS- OG ARBEJDSINFORMATIONER

Brug beskyttelsesudstyr. Bær altid sikkerhedsbriller, når du arbejder med maskinen. Vi anbefaler desuden brug af personlig beskyttelsesudrustning, såsom støvmaske, sikkerhedshandsker, fast og skridsikkert skotøj, hjelm og høreværn.

Støv, som opstår under arbejdet, er ofte sundhedsfarligt og bør ikke trænge ind i kroppen. Benyt egnet åndedrætsværn.

Der må ikke bearbejdes nogen materialer, der kan udgøre en sundhedsrisiko (f.eks. asbest).

Sluk straks for maskinen, hvis indsatsværktøjet er blokeret! Tænd ikke for maskinen igen, så længe indsatsværktøjet er blokeret; dette kan føre til et tilbageslag med højt reaktionsmoment. Find frem til og afhjælp årsagen til indsatsværktøjets blokering under hensyntagen til sikkerhedsinstruktionerne.

Mulige årsager hertil kan være:

- at det sidder i klemme i emnet der bearbejdes
- at det har brækket materialet der bearbejdes
- at el-værktøjet er overbelastet

Grib ikke ind i maskinen, når den kører.

Indsatsværktøjet kan blive varmt under brugen.

**ADVARSEL!** Fare for forbrændinger

- ved værktøjsskift
- når man lægger maskinen fra sig

### TILTÆNKT FORMÅL

Akku-industriskruemaskinen er universel anvendelig til fast- og løsgøring af skruer og møtrikker uafhængig af en netttilslutning. Produktet må ikke anvendes på anden måde og til andre formål end foreskrevet.

### CE-KONFORMITETSERKLÆRING

Vi erklærer som producent og eneansvarlig, at produktet, der er beskrevet under "Tekniske data", er i overensstemmelse med alle relevante bestemmelser i henhold til direktiverne 2011/65/EU (RoHS), 2014/30/EU, 2006/42/EF og nedenstående harmoniserede normative dokumenter:

EN 62841-1:2015  
EN 62841-2-2:2014  
EN 55014-1-2017+A11:2020  
EN 55014-2:2015  
EN IEC 63000:2018

Winnenden, 2020-12-02

*Alexander Krug*

Alexander Krug  
Managing Director



Autoriseret til at udarbejde de tekniske dokumenter.

Techtronic Industries GmbH  
Max-Eyth-Straße 10  
71364 Winnenden  
Germany

### BATTERI

Udskiftningsbatterier, der ikke har været brugt i længere tid, efterlades inden brug.

Ved temperaturer over 50°C formindskes batteriets effekt. Undgå direkte sollys og stærk varme.

Tilslutningskontakterne på oplader og udkiftningsbatterier skal holdes rene.

For at opnå en optimal levetid skal de genopladelige batterier oplades fuldt efter brug.

For at sikre en så lang levetid som muligt skal batterierne tages ud af ladeaggregatet efter opladning.

Skal batterierne opbevares længere end 30 dage:

Temperatur ca. 27°C i tørre omgivelser.

Opbevares ved ca. 30%-50% af ladetilstanden.

Batteri skal genoplades hver 6. måned.

### OVERBELASTNINGSSIKRING FOR BATTERI

Overbelastes batteriet på grund af meget højt strømforbrug, f.eks. som følge af ekstremt høje drejningsmomenter, fastklemning af bor, pludseligt stop eller kortslutning, brummer el-værktøjet i 2 sekunder og slukker så af sig selv.

For at tænde igen slipper du trykknappen og tænder el-værktøjet på ny.

Under ekstreme belastninger kan batteriet blive meget varmt. I så fald kobler batteriet fra.

Sæt batteriet i ladeadapteren for at genoplade det og aktivere det.

### TRANSPORT AF LITHIUM-BATTERIER

Lithium-batterier er omfattet af lovgivningen om transport af farligt gods.

Transporten af disse batterier skal ske under overholdelse af lokale, nationale og internationale regler og bestemmelser.

- Forbrugere må transportere disse batterier på veje uden yderligere krav.
- Den kommercielle transport af lithium-batterier ved speditorsfirmaer er omfattet af reglerne for transport af farligt gods. Forberedelsen af forsendelse og transport må kun udføres af tilsvarende trænedne personer. Den samlede proces skal følges af fagfolk.

Følgende punkter skal overholdes ved transport af batterier:

- Sørg for at kontakterne er beskyttet og isoleret for at forhindre kortslutninger.
- Sørg for at batteripakken ikke kan bevæge sig inden for emballagen.

- Beskadigede eller lækkende batterier må ikke transporteres.

Kontakt dit speditorsfirma for at få yderligere oplysninger.

### VEDLIGEHOJDELSE

Brug kun Milwaukee-tilbehør og Milwaukee-reservedele. Komponenter, hvor udskiftningsproceduren ikke er beskrevet, skal skiftes ud hos et Milwaukee-servicested (se brochure garanti/kundeserviceadresser).

Hvis det er nødvendigt, kan der bestilles en sprængskitse af værktøjet. Angiv herved venligst maskintypen samt det seksificerede nummer på mærkepladen og bestil tegningen hos din lokale kundeserviceafdeling eller direkte hos Techtronic Industries GmbH, Max-Eyth-Straße 10, 71364 Winnenden, Tyskland.

### SYMBOLER

	VIGTIGT! ADVARSEL! FARE!
	Ved arbejde inden i maskinen, bør batteriet tages ud.
	Læs brugsanvisningen nøje før brugtagning.
	Elektrisk udstyr eller (genopladelige) batterier må ikke bortskaffes sammen med det almindelige husholdningsaffald. Elektrisk udstyr og genopladelige batterier skal indsamles særskilt og afleveres hos en genbrugsvirksomhed til en miljømæssig forsvarlig bortskaffelse. Spørg de lokale myndigheder eller din forhandler om genbrugsstationer og indsamlingssteder til sådant affald.
	Europæisk konformitetsmærke
	Britisk konformitetsmærke
	Ukrainsk konformitetsmærke
	Eurasisk konformitetsmærke

TEKNISKE DATA	KABELFRI INDUSTRI SKRUTREKKER	M12 FIR14LR	M12 FIR38LR
Produksjonsnummer.....	4811 34 01.....	4811 30 01.....	4811 30 01.....
	...000001-999999	...000001-999999	...000001-999999
Verktøyholder .....	1/4" (6,35 mm).....	3/8" (9,5 mm)	
Tomgangsturtall .....	0-250 min <sup>-1</sup> .....	0-200 min <sup>-1</sup>	
Dreiemoment.....	54 Nm .....	75 Nm	
Spennning vekselbatteri .....	12 V .....	12 V	
Vekt i henhold til EPTA-Prosedyren 01/2014 (2,0 Ah ... 6,0 Ah).....	1,13 kg ... 1,3 kg.....	1,4 kg ... 1,6 kg	
Anbefalt omgivelsestemperatur under arbeid.....	-18°C ... +50°C		
Anbefalte batterityper .....	M12B.....		
Anbefalte ladere .....	C12C, M12C4, M12-18...		

### Støy/Vibrasjonsinformasjon

Måleverdier fastslått i samsvar med EN 62841.

Det typiske A-bedømte støynivået for maskinen er:

Lydtryknivå (Usikkerhet K=3dB(A))..... 79,99 dB (A)..... 81,95 dB (A)

Lydeffektnivå (Usikkerhet K=3dB(A))..... 90,99 dB (A)..... 92,95 dB (A)

### Bruk hørselsvern!

Totale svingningsverdier (vektorsum fra tre retninger) beregnet jf.

EN 62841.

Svingningsemissionsverdi a<sub>w</sub>

Fastskriving av skruer og muttere i maksimal størrelse..... 1,44 m/s<sup>2</sup>..... 2,64 m/s<sup>2</sup>

Usikkerhet K = ..... 1,5 m/s<sup>2</sup>..... 1,5 m/s<sup>2</sup>

### ADVARSEL

De angitte vibrasjonseksponering- og støynivåverdiene har blitt målt i samsvar med standardiserte målemetoder jmfør EN 62841 og kan brukes til å sammenligne et verktøy med et annet. De kan brukes til en foreløpig eksponeringsvurdering.

De angitte vibrasjonseksponering- og støyemissionsverdiene gjelder for vanlig bruk av verktøyet. Dersom verktøyet blir brukt til noe annet, sammen med annet utstyr eller er dårlig vedlikeholdt kan de angitte vibrasjonseksponering- og støyeverdiene variere. Dette kan øke eksponerings- og emissionsverdiene betraktelig for hele perioden du bruker verktøyet.

Når en vurderer vibrasjonseksponeringsnivået og støyeverdi må en inkludere den perioden som verktøyet er slått av eller når verktøyet går, men ikke direkte brukes til noe. Dette kan redusere eksponeringsnivået betraktelig over hele perioden som verktøyet er i bruk.

Det er viktig å etablere ytterligere sikkerhetstiltak for å beskytte brukeren mot påvirkning av vibrasjon og/eller støy, slik som: vedlikehold av verktøyet og tilleggsutstyr, hold hendene varme, organiserte arbeidsrutiner.

**⚠ ADVARSEL! Les gjennom alle sikkerhets advarsler, anvisninger, illustrasjoner og spesifikasjoner for dette elektroverktøyet.** Feil ved overholdelsen av advarslene og nedenstående anvisninger kan medføre elektriske støt, brann og/eller alvorlige skader.

### ⚠ SIKKERHETSINSTRUKSER FOR SLAGSKRUTREKKER

**Hold apparatet i de isolerte holdeflatene, når arbeid utføres hvor skruen kan treffe skjulte strømledninger.** Kontakt av skruen med en strømførende ledning kan sette apparatets metalldele under spenning og føre til elektrisk slag.

**Bruk hørselsvern.** Støy kan føre til tap av hørselen

### YTTERLIGE SIKKERHETS- OG ARBEIDSSINSTRUKSJONER

Bruk vernebekledning. Ta alltid på vernebrille ved bruk av maskinen. Vernebekledning så vel som støvmaske, vernehansker, fast og sklisikkert skotøy, hjem og hørselsvern er anbefalt.

Støvet som oppstår ved arbeidet er ofte helsefarlig og skal ikke komme i kontakt med kroppen. Bruk derfor vernemaske som er egnet for støv.

Materialer som er helsefarlig skal ikke bearbeides (f.eks.. asbest)

Slå av apparatet med en gang dersom det isatte verktøyet er blokkert! Ikke slå apparatet på igjen så lenge det isatte verktøyet er blokkert; her kan det oppstå et tilbakeslag med høyt reaksjonsmoment. Finn ut hvorfor det isatte verktøyet blokkerer og fjern årsaken til dette. Ta herved hensyn til sikkerhets instruksene.

Mulige årsaker til dette kan være:

- det har forkantet seg i arbeidsområdet som bearbeides
- det har brekt igjennom materialet som bearbeides
- elektroverktøyet er overbelastet

Ikke grip inn i maskinen når den står på og går.

Isatt verktøy kan i bruk bli veldig varmt.

**ADVARSEL!** Fare for forbrenning

- ved skifting av verktøy
- når apparatet legges ned

Spon eller fliser må ikke fjernes mens maskinen er i gang.

### FORMÅLSMESSIG BRUK

Den kabelfri industri skrutrekkeren kan brukes til å skru fast og løse skruer og muttere uten nettkobling.

Dette apparatet må kun brukes til de oppgitte formål.

### CE-SAMSVARSEKLERING

Vi erklærer under eget ansvar at produktet som beskrives under «Tekniske data» samsvarer med alle relevante forskrifter i direktivene 2011/65/EU (RoHS), 2014/30/EF, 2006/42/EF og de følgende harmoniserte normative dokumentene:

EN 62841-1:2015

EN 62841-2-2:2014

EN 55014-1:2017+A11:2020

EN 55014-2:2015

EN IEC 63000:2018

Winnenden, 2020-12-02

*Alexander Krug*

Alexander Krug  
Managing Director



Autorisert til å utarbeide den tekniske dokumentasjonen

Techtronic Industries GmbH

Max-Eyth-Straße 10

71364 Winnenden

Germany

### BATTERIER

Vekselbatterier som ikke er brukt over lengre tid skal etterlades før bruk.

En temperatur over 50°C reduserer vekselbatteriets kapasitet. Unngå oppvarming i sol eller ved varmeovner (fyring) i lengre tid.

Hold tilkopplingskontaktene på lader og vekselbatteri rene.

For en optimal levetid må batteriene etter bruk ladet helt opp.

For å sikre en lengst mulig brukstid av batteriene skal disse etter oppladning taes ut av laderen.

Ved lagring av batteriene lengre enn 30 dager:

Lagre batteriet tørt ved ca. 27°C.

Lagre batteriet ved en oppladningstilstand på ca. 30%-50%.

Lade opp batteriet igjen etter 6 måneder.

### OVERBELASTNINGSVERN FOR OPPLADBARE BATTERIER

Ved overbelastning av det oppladbare batteriet p.g.a. svært høy strømforsbruk, for eksempel ved ekstrem høye dreiemoment, fastklemning av boret, plusselig stopp eller kortslutning, brummer elektroverktøyet 2 sekunder og slår seg så automatisk av.

For å slå det på igjen, må man slippe trykkbryteren og så slå på igjen.

Ved ekstreme belastninger kan det oppladbare batteriet bli sterkt opphetet. I slike tilfeller kobler batteriet seg ut.

Sett batteriet da i laderen for å få det oppladet og aktivert igjen.

### TRANSPORT AV LITUM-ION-BATTERI

Litium-ion-batterier faller under de lovfestede forskriftene om transport av farlig gods.

Transporten av disse batteriene må rette seg etter lokale, nasjonale og internasjonale forskrifter og bestemmelser.

- Forbruker har lov å transportere disse batteriene på gaten uten reglementering.
- Den kommersielle transport av Litium-ion-batterier av spedisjonsfirma faller under bestemmelsene om transport av farlig gods. Forberedningene av forsendelsen og transport skal utelukkende gjennomføres av personer som har blitt skolert til dette. Hele prosessen skal følges opp av fagfolk.

Følgende punkter skal tas hensyn til ved transport:

- Kontroller at kontaktene er beskyttet og isolert for å unngå kortslutninger.
- Pass på at batteripakken i forpakningen ikke kan skli fram og tilbake.
- Skadete eller batterier som lekker er det ikke lov å transportere.

Ta kontakt med spedisjonsfirma for ytterlige henvisninger.

### VEDLIKEHOLD

Bruk kun Milwaukee tilbehør og Milwaukee reservedeler. Komponenter der utskifting ikke er beskrevet skal skiftes ut hos Milwaukee kundeservice (se brosjyre garanti/ kundeserviceadresser).

Ved behov kan det fås en eksplosjonstegning av apparatet hos kundeservice eller direkte hos Techtronic Industries GmbH, Max-Eyth-Straße 10, 71364 Winnenden, Germany ved angivelse av maskinens type og det sekstallige nummeret på maskinens skilt.

### SYMBOLER

	OBS! ADVARSEL! FARE!
	Ta ut vekselbatteriet før du arbeider på maskinen
	Les nøye gjennom bruksanvisningen før maskinen tas i bruk.
	Elektriske apparater, batterier/oppladbare batterier skal ikke kastes sammen med vanlig husholdningsavfall. Elektriske og elektroniske apparater og oppladbare batterier skal samles separat og leveres til miljøvennlig deponering hos en avfallsbedrift. Informer deg hos myndighetene på stedet eller hos din fagforhandler hvor det finnes recycling bedrifter og oppsamlingssteder.
	Europeisk samsvarsmerke
	Britisk samsvarsmerke
	Ukrainsk samsvarsmerke
	Euroasiatisk samsvarsmerke

TEKNISKA DATA	SLADDLÖS INDUSTRIKRUVDRAKARE	M12 FIR14LR	M12 FIR38LR
Produktionsnummer .....	4811 34 01.....	4811 30 01.....	4811 30 01.....
Verktyginfästninge .....	0.00001-999999 .....	0.00001-999999 .....	0.00001-999999 .....
Obelastat varvtal .....	1/4" (6,35 mm).....	3/8" (9,5 mm)	3/8" (9,5 mm)
Vridmoment .....	0-250 min <sup>-1</sup> .....	0-200 min <sup>-1</sup>	0-200 min <sup>-1</sup>
Batterispänning .....	54 Nm .....	75 Nm	75 Nm
Vikt enligt EPTA 01/2014 (2,0 Ah ... 6,0 Ah) .....	12 V .....	12 V	12 V
Rekommenderad omgivningstemperatur vid arbete.....	1,13 kg ... 1,3 kg.....	1,4 kg ... 1,6 kg	1,4 kg ... 1,6 kg
Rekommenderade batterityper .....	-18°C ... +50°C		
Rekommenderade laddare .....	M12B...		
	C12C, M12C4, M12-18...		

### Buller-/vibrationsinformation

Mätvärdena har tagits fram baserade på EN 62841.

A-värdet av maskinens ljudnivå utgör:

Ljudtrycksnivå (Onoggrannhet K=3dB(A))..... 79,99 dB (A)..... 81,95 dB (A)

Ljudeffektsnivå (Onoggrannhet K=3dB(A))..... 90,99 dB (A)..... 92,95 dB (A)

### Använd hörselskydd!

Totala vibrationsvärden (vektorsumma ur tre riktningar) framtaget enligt EN 62841.

Vibrationsemissionsvärde a<sub>h</sub>

Åtdragning av skruvar och muttrar av maximal storlek ..... 1,44 m/s<sup>2</sup> ..... 2,64 m/s<sup>2</sup>

Onoggrannhet K = ..... 1,5 m/s<sup>2</sup> ..... 1,5 m/s<sup>2</sup>

### VARNING

De deklarerade vibrations- och bullernivåerna på detta informationsblad har uppmätts i enlighet med en standardiserad testmetod enligt EN 62841 och kan användas för att jämföra ett verktyg med ett annat. Det kan användas för en preliminär bedömning av exponeringen.

Den angivna vibrations- och bullernivån representerar verktygets huvudsakliga tillämpningar. Om verktyget emellertid används för olika tillämpningar, med olika eller dåligt underhållna tillbehör, kan vibrations- och bullerutsläppet variera. Detta kan öka exponeringsnivån avsevärt över den totala arbetsperioden.

En uppskattning av exponeringsnivån för vibrationer och buller bör även ta hänsyn till de tider då verktyget är avstängt eller när det körs utan att faktiskt arbeta. Detta kan avsevärt minska exponeringsnivån över den totala arbetsperioden.

Identifiera ytterligare säkerhetsåtgärder för att skydda operatören mot effekterna av vibrationer och/eller buller såsom: underhåll av verktyget och tillbehören, hålla händerna varma, organisation av arbetsmönster.

**⚠ VARNING! Läs noga igenom alla säkerhetsanvisningar, illustrationer och specifikationer som medföljer detta elverktyg.** Fel som uppstår till följd av att anvisningarna nedan inte följts kan orsaka elstöt, brand och/eller allvarliga kroppsskador.

### ⚠ SÄKERHETSINSTRUKTIONER FÖR SLAGSKRUVDRAGARE

**Håll apparaten i de isolerade greppytorna när ni utför arbeten där skruven kan träffa dolda elkablar.** Skruvens kontakt med en strömförande ledning kan sätta apparatdelar av metall under spänning och leda till elektrisk stöt.

**Bär hörselskydd.** Bullerbelastning kan orsaka hörselskador.

### ÖVRIGA SÄKERHETS- OCH ANVÄNDNINGSSINSTRUKTIONER

Använd skyddsutrustning. Använd alltid skyddsglasögon när du använder maskinen. Som skyddsutrustning rekommenderar vi t ex en dammskyddsmask, skyddshandskar, stabila och halksäkra skor, hjälm och hörselskydd.

Det damm som bildas under arbetets gång är ofta hälsofarligt och det ska inte komma in i kroppen. Bär därför lämplig skyddsmask.

Det är inte tillåtet att bearbeta material som kan vara hälsovärdigt (t.ex. asbest).

Stäng av maskinen omedelbart om ett verktyg som används sitter fast! Sätt sedan inte på maskinen igen så länge som verktyget som används fortfarande sitter fast; risk för okontrollerade slag med högt reaktionsmoment. Ta reda på orsaken varför verktyget fastnade och åtgärda orsaken med hänsyn till säkerhetsanvisningarna.

Möjliga orsaker kan vara:

- Verktyget sitter snett i arbetsstycket
- Verktyget går igenom materialet som bearbetas
- Elverktyget är överbelastat

Gå aldrig med händerna in i en maskin som är igång.

Verktyget som används kan bli mycket varmt under användningen.

**VARNING!** Risk för brännskador

- vid verktygsbyte
- när man lägger ifrån sig maskinen

### ANVÄND MASKINEN ENLIGT ANVISNINGARNA

Den sladdlösa industriskruvdragaren är universellt användbar för att dra åt eller lossa skruvar och muttrar helt utan elanslutning.

Maskinen får endast användas för angiven tillämpning.

### CE-FÖRSÄKRAN

Vi som tillverkare intygar och ansvarar för att den produkt som beskrivs under "Tekniska data" överensstämmer med alla relevanta bestämmelser i direktiv 2011/65/EU (RoHS), 2014/30/EU, 2006/42/EG och följande harmoniserade normerande dokument:

EN 62841-1:2015  
EN 62841-2-2:2014  
EN 55014-1:2017+A11:2020  
EN 55014-2:2015  
EN IEC 63000:2018

Winnenden, 2020-12-02



Alexander Krug  
Managing Director



Befullmäktigad att sammanställa teknisk dokumentation.

Techtronic Industries GmbH

Max-Eyth-Straße 10

71364 Winnenden

Germany

### BATTERIER

Batteri som ej använts på längre måste laddas före nytt bruk.

En temperatur över 50°C reducerar batteriets effekt. Undvik längre uppvärmning tex i solen eller nära ett element.

Se till att anslutningskontaktarna i laddaren och på batteriet är rena.

För en optimal livslängd ska batterierna laddas helt igen efter användningen.

För att få en så lång livslängs som möjligt bör laddningsbara batterier avlägsnas från laddaren när de är laddade.

Om laddningsbara batterier lagras längre än 30 dagar:

Lagra batteriet torrt och vid ca 27°C.

Lagra batteriet vid ca 30%-50% av laddningskapaciteten.

Ladda batterierna på nytt var 6:e månad.

### BATTERI-ÖVERBELASTNINGSSKYDD

Om det uppladdningsbara batteriet överbelastas på grund av mycket hög strömförbrukning, till exempel vid extremt höga vridmoment, fastklämning av borret, plötsligt stopp eller kortslutning, brummar elverktyget i 2 sekunder och stängs sedan av automatiskt.

Släpp därefter först upp tryckknappen och slå sedan på elverktyget igen, om du vill fortsätta bearbetningen.

Vid extrem belastning kan batteriet bli väldigt varmt. I ett sådant fall stängs batteriet av automatiskt.

Sätt då batteriet i laddaren för att ladda upp och aktivera det igen.

### TRANSPORTERA LITIJUMJON-BATTERIER

För litiumjon-batterier gäller de lagliga föreskrifterna för transport av farligt gods på väg.

Därför får dessa batterier endast transporteras enligt gällande lokala, nationella och internationella föreskrifter och bestämmelser.

- Konsumenter får transportera dessa batterier på allmän väg utan att behöva beakta särskilda föreskrifter.
- För kommersiell transport av litiumjon-batterier genom en speditorsfirma gäller emellertid bestämmelserna för transport av farligt gods på väg. Endast personal som känner till alla tillämpliga föreskrifter och bestämmelser får förbereda och genomföra transporten. Hela processen ska följas upp på fackmässigt sätt.

Följande ska beaktas i samband med transporten av batterier:

- Säkerställ att alla kontakter är skyddade och isolerade för att undvika kortslutning.

- Se till att batteripacken inte kan glida fram och tillbaka i förpackningen.
- Transportera aldrig batterier som läcker, har runnit ut eller är skadade.

För mer information vänligen kontakta din speditorsfirma.

### SKÖTSEL

Använd endast Milwaukee-tillbehör och Milwaukee-reservdelar. Komponenter, för vilka inget byte beskrivs, skall bytas ut hos Milwaukee-kundtjänst (se broschyren garanti-/kundtjänstadresser).

Vid behov kan du rekvidrera apparatens sprängskiss antingen hos kundservicen eller direkt hos Techtronic Industries GmbH, Max-Eyth-Straße 10, 71364 Winnenden, Germany. Du ska då ange maskintypen och numret på sex siffror som står på effektskylten.

### SYMBOLER



OBSERVERA! VARNING! FARA!



Drag ur batteripaket innan arbete utföres på maskinen.



Läs instruktionen noga innan du startar maskinen.



Elektriska maskiner, batterier/uppladdningsbara batterier och får inte slängas tillsammans med de vanliga hushållssoporna. Elektriska maskiner och uppladdningsbara batterier ka samlas separat och lämnas till en avfallsstation för miljövänlig avfallsantering. Kontakta den lokala myndigheten respektive kommunen eller fråga återförsäljare var det finns speciella avfallsstationer för elskrot.



Europeiskt konformitetsmärke



Britiskt konformitetsmärke



Ukrainskt konformitetsmärke



Euroasiatiskt konformitetsmärke



TEKNISET ARVOT	AKKU-TEOLLISUUSRUUVIVÄÄNNIN	M12 FIR14LR	M12 FIR38LR
Tuotantnumero .....	4811 34 01 .....	4811 30 01 .....	4811 30 01 .....
Taltpaidin .....	000001-999999 .....	000001-999999 .....	000001-999999 .....
Kuormittamaton kierrosluku .....	1/4" (6,35 mm).....	3/8" (9,5 mm)	
Vääntömomentti .....	0-250 min <sup>-1</sup> .....	0-200 min <sup>-1</sup>	
Jännite vaihtoakku .....	54 Nm .....	75 Nm	
Jännite vaihtoakku .....	12 V .....	12 V	
Paino EPTA-menetelyn 01/2014 mukaan (2,0 Ah ... 6,0 Ah).....	1,13 kg ... 1,3 kg .....	1,4 kg ... 1,6 kg	
Suosittelun ympäristön lämpötila työn aikana .....	-18°C ... +50°C		
Suosittelut akkutyyppit.....	M12B .....		
Suosittelut latauslaitteet.....	C12C, M12C4, M12-18...		

### Melunpäästö- /tärinätiedot

Mitta-arvot määrätty EN 62841 mukaan.

Koneen tyyppillinen A-luokitettu melutaso:

Melutaso (Epävarmuus K=3dB(A))..... 79,99 dB (A)..... 81,95 dB (A)

Äänenvoimakkuus (Epävarmuus K=3dB(A))..... 90,99 dB (A)..... 92,95 dB (A)

### Käytä kuulosuojaimia!

Värähtelyn yhteisarvot (kolmen suunnan vektorisumma) mitattuna

EN 62841 mukaan.

Värähtelyemissioarvo a<sub>h</sub>

Suurimman sallitun koon ruuvien ja muttereiden kiristäminen ..... 1,44 m/s<sup>2</sup> ..... 2,64 m/s<sup>2</sup>

Epävarmuus K = ..... 1,5 m/s<sup>2</sup> ..... 1,5 m/s<sup>2</sup>

### VAROITUS

Tässä tiedotteessa ilmoitettu (ilmoitetut) värinä- ja melupäästöarvo(t) on mitattu standardisoidulla testimenetelmällä SFS-EN 62841 mukaisesti ja sitä voidaan käyttää työkalun vertailumiseen toisen työkalun kanssa. Sitä voidaan käyttää alustavaan altistuksen arviointiin.

Ilmoitettu värinä- ja melupäästöarvo koskee työkalun pääkäyttötarkoituksia. Jos kuitenkin työkalua käytetään eri käyttötarkoituksiin eri varusteiden kanssa tai huonosti huollettuna, voi värinä- ja melupäästö erota ilmoitetusta. Tämä voi merkittävästi nostaa altistumistasoa koko työskentelyjakson ajaksi.

Arvioidussa värinä- ja melualtistustasossa tulisi ottaa huomioon myös työkalun sammutuskerrat tai sen tyhjäkäynti. Tämä voi merkittävästi laskea altistumistasoa koko työskentelyjakson ajaksi.

Tunnista esimerkiksi seuraavat lisävaroitukset, joilla voidaan suojata käyttäjää värinän ja/tai melun vaikutuksilta: työkalun ja varusteiden ylläpito, käsien lämpimänä pito, työnkulun organisointi.

**VAROITUS Lue kaikki turvallisuusmääräykset, ohjeet, kuvitukset ja erittelyt, jotka toimitetaan tämän sähkötyökalun mukana.** Jäljempänä annettujen ohjeiden noudattamisen laiminlyönti saattaa johtaa sähköiskuun, tulipaloon ja/tai vakavaan loukkaantumiseen.

### RUUVAAJAN TURVALLISUUSOHJEET:

**Pitele laitteesta kiinni sen eristetyistä kahvoista suorittaessasi töitä, joiden aikana ruuvi saattaa osua piilossa oleviin sähköjohtoihin.** Ruuvien kosketus jännitteelliseen johtoon saattaa tehdä laitteen metalliosat jännitteelliseksi ja aiheuttaa sähköiskun.

**Käytä korvasuojia.** Altistuminen melulle voi vahingoittaa kuuloa.

### TÄYDENTÄVIÄ TURVALLISUUSMÄÄRÄYKSIÄ JA TYÖSKENTELYOHJEITA

Käytä suojavarusteita. Käytä aina suojalaseja käyttäessäsi konetta. Suosittelemme suojavarusteiden käyttöä, näihin kuuluvat pölysuojanaamari, työkasineet, tukevat, luistamattomat jalkineet, kypärä ja kuulosuojukset.

Koneen käytöstä aiheutuva pöly ja jäte voi olla haitallista terveydelle eikä sen vuoksi tulisi päästä kosketukseen ihon kanssa. Koneella työskennellessä on käytettävä sopivaa suojainta.

Terveydellisiä vaaroja aiheuttavien materiaalien (esim. asbestin) työstäminen on kielletty.

Jos käytetty työkalu juuttuu kiinni, sammuta laite heti! Älä kytkä laitetta uudelleen päälle työkalun ollessa vielä kiinni juuttuneena, koska tästä saattaa aiheutua voimakas takaisu. Selvitä työkalun juuttumisen syy ja poista syy turvallisuusmääräyksiä noudattaen.

Mahdollisia syitä voivat olla:

- työkalun vinoutuminen työstökappaleessa
- työstetyn materiaalin puhkaiseminen
- sähkötyökalun ylikuormitus

Älä tartu käynnissä olevan koneen työosiin.

Käytetty työkalu saattaa kuumeta käytön aikana.

**VAROITUS!** Palovamman vaara

- työkalua vaihdettaessa
- laitetta pois laskettaessa

Lastuja tai puruja ei saa poistaa koneen käydessä.

Varo seinään, kattoon tai lattiaan porattaessa osumasta sähköjohtoon, kaasu- ja vesijohtoihin.

Varmista työstökappaleesi kiinnitysliitteellä paikalleen. Varmistamattomat työstökappaleet saattavat aiheuttaa vakavia vammoja ja vaurioita.

Ota akku pois ennen kaikkia koneeseen tehtäviä toimenpiteitä.

Käytettyjä vaihtoakkuja ei saa polttaa eikä poistaa normaalin jätehuollon kautta. Milwaukeella on tarjolla vanhoja vaihtoakkuja varten ympäristöystävällinen jätehuoltopalvelu.

Vaihtoakkuja ei saa säilyttää yhdessä metalliesineiden kanssa (oikosulkuvaara).

Käytä ainoastaan System M12 latauslaitetta System M12 akkujen lataukseen. Älä käytä muiden järjestelmien akkuja.

Vaihtoakkuja ja latauslaitteita ei saa avata. Säilytys vain kuivissa tiloissa. Suojattava kosteudelta.

Vaurioituneesta akusta saattaa erityisen kovassa käytössä tai poikkeavassa lämpötilassa vuotaa akkuhappoa. Ihonkohta, joka on joutunut kosketukseen akkuhapon kanssa on viipymättä pestävä vedellä ja saippualla. Silmä, johon on joutunut akkuhappoa, on huuhdeltava vedellä vähintään 10 minuutin ajan, jonka jälkeen on viipymättä hakeuduttava lääkäriin apuun.

**Varoitus!** Jotta vältetään lyhytsulun aiheuttama tulipalon, loukkaantumisen tai tuotteen vahingoittumisen vaara, älä koskaan upota työkalua, vaihtoakkua tai latauslaitetta nesteeseen ja huolehdi siitä, ettei mitään nestettä pääse tunkeutumaan laitteiden tai akkujen sisään. Syövyttävät tai sähköä johtavat nesteet, kuten suolavesi, tietyt kemikaalit ja lalkaisuaineet tai valkaisuaineita sisältävät tuotteet voivat aiheuttaa lyhytsulun.

### TARKOITUKSENMUKAINEN KÄYTTÖ

Akku-teollisuusruuviväännintä voidaan käyttää ruuvien ja muttereiden kiristämiseen ja irrottamiseen kaikkialla myös ilman verkkovirtalähtettä.

Älä käytä tuotetta ohjeiden vastaisesti.

### TODISTUS CE-STANDARDINMUKAISUUDESTA

Vakuutamme valmistajan ominaisuudessa yksinvastuullisesti, että kohdassa "Tekniset tiedot" kuvattu tuote vastaa kaikkia sitä koskevia direktiivien 2011/65/EU (RoHS), 2014/30/EU, 2006/42/EY määräyksiä sekä seuraavia harmonisoituja standardisoivia asiakirjoja:

EN 62841-1:2015

EN 62841-2-2:2014

EN 55014-1-2017+A11:2020

EN 55014-2:2015

EN IEC 63000:2018

Winnenden, 2020-12-02

*Alexander Krug*

Alexander Krug  
Managing Director

Valtuutettu kokoamaan tekniset dokumentit.

Techtronic Industries GmbH

Max-Eyth-Strasse 10

71364 Winnenden

Germany

### AKKU

Pitkään käyttämättä olleet vaihtoakut on ladattava ennen käyttöä.

Yli 50°C lämpötilassa akun suorituskyky heikkenee. Välttämättömien akkujen säilyttämistä auringossa tai kuumissa tiloissa.

Pidä aina latauslaitteen ja akun kosketinpinnat puhtaina.

Akut on ladattava täyteen käytön jälkeen optimaalisen eliniän säilyttämiseksi.

Mahdollisimman pitkän elinajan takaamiseksi akut tulee poistaa laturista lataamisen jälkeen.

Akkuja yli 30 päivää säilytettäessä:

Säilytä akku yli 27 °C:ssa ja kuivassa.

Säilytä akku sen latauksen ollessa 30 % - 50 %.

Lataa akku 6 kuukauden välein uudelleen.

### AKUN YLIKUORMITUSSUOJAUS

Jos akku ylikuormittuu erittäin suuren virrankulutuksen vuoksi, esim. erittäin suurten vääntömomenttien, poranterän kiinnijuuttumisen, äkillisen pysähtymisen tai lyhytsulun vuoksi, niin sähkötyökalu surisee 2 sekunnin ajan ja sammuu sitten omatoimisesti.

Käynnistä laite uudelleen päästämällä katkaisinpainike irti ja kytkemällä se sitten uudelleen.

Erittäin suuressa kuormituksessa saattaa akku kuumeta liikaa.

Tässä tapauksessa akku kytketty pois.

Työnnä akku sitten latauslaitteeseen ja lataa se jälleen, jotta se aktivoituu.

### LITIUMI-IONIAKKIJEN KULJETTAMINEN

Litiumi-ioniakut kuuluvat vaarallisten aineiden kuljetuksesta annettujen lakien piiriin.

Näiden akkujen kuljettaminen täytyy suorittaa noudattaen paikallisia, kansallisia ja kansainvälisiä määräyksiä ja säädöksiä.

- Kuluttajat saavat ilman muuta kuljettaa näitä akkuja teitä pitkin.
- Kaupallisessa kuljetuksessa huolintaliikkeiden täytyy kuljettaa litiumi-ioniakkuja vaarallisten aineiden kuljetuksesta annettujen määräysten mukaisesti. Ainoastaan tähän vastaavasti koulutetut henkilöt saavat suorittaa kuljetuksen valmistelutoimet ja itse kuljetuksen. Koko prosessia tulee valvoa asiantuntevasti.

Seuraavat kohdat tulee huomioida akkuja kuljetettaessa:

- Varmista, että akkujen kontaktit on suojattu ja eristetty, jotta vältetään lyhytsulut.

- Huolehdi siitä, ettei akkumarja voi luiskahtaa paikaltaan pakkauksen sisällä.
- Vahingoittuneita tai vuotavia akkuja ei saa kuljettaa.

Pyydä tarkemmat tiedot huolintaliikkeeltäsi.

### HUOLTO

Käytä ainoastaan Milwaukee lisätarvikkeita ja Milwaukee varaosia. Mikäli jokin komponentti, jota ei ole kuvailtu, tarvitsee vaihtoa ota yhteys johonkin Milwaukee palvelupisteistä (kts. liistamme takuuhuolintaliikkeiden/ palvelupisteiden osoitteista)

Tarvittaessa voit pyytää laitteen räjähdyspiirustuksen ilmoittamaan konetyypin ja tyyppikilvissä olevan kuusinumeroisen luvun huoltopalvelustasi tai suoraan osoitteella Techtronic Industries GmbH, Max-Eyth-Strasse 10, 71364 Winnenden, Saksa.

### SYMBOLIT

	HUOMIO! VAROITUS! VAARA!
	Ota akku pois ennen kaikkia koneeseen tehtäviä toimenpiteitä.
	Lue käyttöohjeet huolellisesti, ennen koneen käynnistämistä.
	Sähkölaitteita, paristoja/akkuja ei saa hävittää yhdessä kotitalousjätteen kanssa. Sähkölaitteet ja akut tulee kerätä erikseen ja toimittaa kierrätysliikkeeseen ympäristöystävällistä hävittämistä varten. Pyydä paikallisilta viranomaisilta tai alan kauppiailta tarkemmat tiedot kierrätyspisteistä ja keräyspaikoista.
	Euroopan säännönmukaisuusmerkki
	Britannian säännönmukaisuusmerkki
	Ukrainan säännönmukaisuusmerkki
	Euraasian säännönmukaisuusmerkki

ΤΕΧΝΙΚΑ ΣΤΟΙΧΕΙΑ	ΚΑΤΑΒΙΔΙ ΜΠΑΤΑΡΙΑΣ	M12 FIR14LR	M12 FIR38LR
Αριθμός παραγωγής .....		4811 34 01.....	4811 30 01.....
Υποδοχή καταβιδόλαμας (μπιτ).....		..000001-999999	..000001-999999
Αριθμός στροφών χωρίς φορτίο.....		1/4" (6,35 mm).....	3/8" (9,5 mm)
Ροπή στρέψης.....		0-250 min <sup>-1</sup> .....	0-200 min <sup>-1</sup>
Ροπή στρέψης.....		54 Nm.....	75 Nm
Τάση ανταλλακτικής μπαταρίας.....		12 V.....	12 V
Βάρος σύμφωνα με τη διαδικασία EPTA 01/2014 (2,0 Ah ... 6,0 Ah).....		1,13 kg ... 1,3 kg.....	1,4 kg ... 1,6 kg
Συνιστώμενη θερμοκρασία περιβάλλοντος κατά την εργασία.....		-18°C ... +50°C	
Συνιστώμενοι τύποι συσσωρευτών.....		M12B.....	
Συνιστώμενες συσκευές φόρτισης.....		C12C, M12C4, M12-18...	

**Πληροφορίες Θορύβου/δόννησης**  
 Τιμές μέτρησης εξακριβωμένες κατά EN 62841.  
 Η σύφωνα με την καμπύλη Α εκτιμηθείσα στάθμη θορύβου του μηχανήματος αναφέρεται σε:  
 Στάθμη ηχητικής πίεσης (Ανασφάλεια K=3dB(A)) ..... 79,99 dB (A)..... 81,95 dB (A)  
 Στάθμη ηχητικής ισχύος (Ανασφάλεια K=3dB(A)) ..... 90,99 dB (A)..... 92,95 dB (A)

**Φοράτε προστασία ακοής (ωτασπίδες)!**  
 Υλικές τιμές κραδασμών (άθροισμα διανυσμάτων τριών διευθύνσεων) εξακριβώθηκαν σύμφωνα με τα πρότυπα EN 62841.  
 Τιμή εκπομπής δονήσεων a<sub>w</sub>:  
 Σφίξιμο βιδών και παξιμαδιών μέγιστου μεγέθους..... 1,44 m/s<sup>2</sup>..... 2,64 m/s<sup>2</sup>  
 Ανασφάλεια K = ..... 1,5 m/s<sup>2</sup>..... 1,5 m/s<sup>2</sup>

**ΠΡΟΕΙΔΟΠΟΙΗΣΗ**  
 Το αναφερόμενο στο παρόν φυλλάδιο επίπεδο τιμών δόννησης και εκπομπής θορύβου έχει μετρηθεί σύμφωνα με μια τυπική μέθοδο δοκιμών κατά το πρότυπο EN 62841 και μπορεί να χρησιμοποιηθεί για τη σύγκριση εργαλείων μεταξύ τους. Μπορεί να χρησιμοποιηθεί για μια προκαταρκτική αξιολόγηση της έκθεσης.

Οι αναφερόμενες τιμές επιπέδων δόννησης και εκπομπής θορύβου αντιστοιχούν στις βασικές εφαρμογές του εργαλείου. Στην περίπτωση χρήσης του εργαλείου σε διαφορετικές εφαρμογές, με διαφορετικά εξαρτήματα ή ανεπαρκή συντήρηση, τα επίπεδα δόννησης και εκπομπών θορύβου ενδέχεται να διαφέρουν. Αυτό μπορεί να έχει ως συνέπεια μία σημαντική αύξηση των επιπέδων έκθεσης καθόλη τη διάρκεια εκτέλεσης των εργασιών.  
 Για μία εκτίμηση των επιπέδων έκθεσης σε δόνηση και θόρυβο πρέπει να συνυπολογίζονται οι χρόνοι απενεργοποίησης του εργαλείου ή αυτοί κατά τους οποίους παραμένει ενεργό χωρίς να εκτελείται κάποια εργασία. Αυτό μπορεί να μειώσει σημαντικά τα επίπεδα έκθεσης καθόλη τη διάρκεια εκτέλεσης των εργασιών.

Ορίστε πρόσθετα μέτρα προστασίας του χειριστή από την έκθεση στη δόννηση ή/και στον θόρυβο όπως: συντήρηση του εργαλείου και των παρελκόμενων εξαρτημάτων, διατήρηση θερμότητας των χεριών, οργάνωση μοτίβων εργασίας.

**ΠΡΟΕΙΔΟΠΟΙΗΣΗ! Διαβάστε όλες τις προειδοποιητικές υποδείξεις, οδηγίες, περιγραφές και προδιαγραφές γι' αυτό το ηλεκτρικό εργαλείο.** Αμέλειες κατά την τήρηση των προειδοποιητικών υποδείξεων μπορεί να προκαλέσουν ηλεκτροπληξία, κίνδυνο πυρκαγιάς ή/και σοβαρούς τραυματισμούς.

**ΥΠΟΔΕΞΕΙΣ ΑΣΦΑΛΕΙΑΣ ΓΙΑ ΠΑΙΔΙΚΟ ΚΑΤΑΒΙΔΙ**

**Κρατάτε τη συσκευή από τις μονωμένες επιφάνειες συγκράτησης, όταν εκτελείτε εργασίες, στις οποίες η βίδα θα μπορούσε να έρθει σε επαφή με κρυφούς αγωγούς ρεύματος.** Η επαφή της βίδας μί' ένα ηλεκτροφόρο καλώδιο μπορεί να προκαλέσει τη μεταφορά ρεύματος στα μεταλλικά εξαρτήματα της συσκευής και να οδηγήσει σε ηλεκτροπληξία.  
**Φοράτε ωτασπίδες.** Η επίδραση θορύβου μπορεί να προκαλέσει απώλεια ακοής.

**ΠΕΡΑΙΤΕΡΟ ΟΔΗΓΙΕΣ ΑΣΦΑΛΕΙΑΣ ΚΑΙ ΧΡΗΣΕΩΣ**

Χρησιμοποιείτε προστατευτικό εξοπλισμό. Κατά την εργασία με τη μηχανή φοράτε πάντα προστατευτικά γυαλιά. Συνιστούμε επίσης προστατευτική ενδυμασία όπως επίσης μάσκα προστασίας αναπνοής, προστατευτικά γάντια, σταθερά και ασφαλή στην ολισθήση υποδήματα, κράνος και ωτασπίδες.

Η σκόνη που δημιουργείται κατά την εργασία είναι συχνά επιβλαβής για την υγεία και δεν επιτρέπεται να έλθει στο σώμα. Να φοράτε κατάλληλη μάσκα προστασίας από σκόνη.

Μην ετεξεργάζεστε επικίνδυνα για την υγεία υλικά (π.χ. αμίαντος). Σε περίπτωση μπλοκαρίσματος της αρίδας απενεργοποιήστε αμέσως τη συσκευή! Μην ενεργοποιείτε εκ νέου τη συσκευή όσο η αρίδα είναι μπλοκαρισμένη. Σ' αυτή τη περίπτωση θα μπορούσε να προκύψει υψηλή ροπή αντίδρασης. Βρείτε την αιτία του μπλοκαρίσματος της αρίδας και ξεμπλοκάρετε την λαμβάνοντας υπόψη τις οδηγίες ασφαλείας.

- Πιθανές αιτίες:
- Η αρίδα μάγκωσε με το προς κατεργασία κομμάτι.
  - Στάσιμο του προς κατεργασία υλικού.
  - Υπερφόρτωση του ηλεκτρικού εργαλείου.

Μην απλώνετε τα χέρια σας στην επικίνδυνη περιοχή της μηχανής όταν είναι σε λειτουργία.

Η θερμοκρασία της αρίδας μπορεί να φτάσει σε υψηλά επίπεδα κατά τη λειτουργία.

- ΠΡΟΕΙΔΟΠΟΙΗΣΗ!** Κίνδυνος εγκαύματος
- κατά την αλλαγή εργαλείου (αρίδας)
  - κατά την απόθεση της συσκευής

Τα γρέζια ή οι σκληρές δεν επιτρέπεται να απομακρύνονται όσο η μηχανή βρίσκεται σε λειτουργία.

Κατά τις εργασίες σε τοίχο, οροφή ή δάπεδο προσέχετε για τυχόν ηλεκτρικά καλώδια και για σωλήνες αερίου και νερού.

Ασφαλίστε το προς κατεργασία κομμάτι στη μέγερη ή με μια άλλη διάταξη στερέωσης. Μη ασφαλισμένα προς κατεργασία κομμάτια μπορεί να προκαλέσουν σοβαρούς τραυματισμούς και ζημιές.

Πριν από κάθε εργασία στη μηχανή αφαιρείτε την ανταλλακτική μπαταρία.

Μην πετάτε τις μεταχειρισμένες ανταλλακτικές μπαταρίες στη φωτιά ή στα οικιακά απορρίμματα. Η Milwaukee προσφέρει μια απόσυρση των παλιών ανταλλακτικών μπαταριών σύμφωνα με τους κανόνες προστασίας του περιβάλλοντος, ρωτήστε παρακαλώ σχετικά στο ειδικό κατάστημα πώλησης.

Μην αποθηκεύετε τις ανταλλακτικές μπαταρίες μαζί με μεταλλικά αντικείμενα (κίνδυνος βραχυκυκλώματος).

Φορτίζετε τις ανταλλακτικές μπαταρίες του συστήματος M12 μόνο με φορτιστές του συστήματος M12. Μη φορτίζετε μπαταρίες από άλλα συστήματα.

Μην ανοίγετε τις ανταλλακτικές μπαταρίες και τους φορτιστές και χρησιμοποιείτε για αποθήκευση μόνο στεγνούς χώρους. Προστατεύετε τις ανταλλακτικές μπαταρίες και τους φορτιστές από την υγρασία.

Όταν υπάρχει υπερβολική καταπόνηση ή υψηλή θερμοκρασία μπορεί να τρέξει υγρό μπαταρίας από τις χαλασμένες επαναφορτιζόμενες μπαταρίες. Αν έρθετε σε επαφή με υγρό μπαταρίας να πλυθείτε αμέσως με νερό και σαπούνι. Σε περίπτωση επαφής με τα μάτια να πλυθείτε σχολαστικά για τουλάχιστον 10 λεπτά και να αναζητήσετε αμέσως ένα γιατρό.

**Προειδοποίηση!** Για να αποτρέπεται τον κίνδυνο πυρκαγιάς λόγω βραχυκυκλώματος, τραυματισμούς ή ζημιές του προϊόντος, να μη βυθίζετε το εργαλείο, τον ανταλλακτικό συσσωρευτή ή τη συσκευή φόρτισης σε υγρά και να φροντίζετε, ώστε να μη διαιδούν υγρά στις συσκευές και τους συσσωρευτές. Διαβρωτικές ή αγώγιμες υγρές ουσίες, όπως αλατόνερο, ορισμένες χημικές ουσίες και λευκαντικά ή προϊόντα που περιέχουν λευκαντικά, μπορεί να προκαλέσουν βραχυκύκλωμα.

**ΧΡΗΣΗ ΣΥΜΦΩΝΑ ΜΕ ΤΟ ΣΚΟΠΟ ΠΡΟΟΡΙΣΜΟΥ**

Το καταβίδι μπαταρίας είναι γενικής χρήσης και μπορεί να χρησιμοποιηθεί για τη στερέωση και το ξεβίδωμα βιδών και παξιμαδιών ανεξάρτητα από το ηλεκτρικό δίκτυο.  
 Αυτή η συσκευή επιτρέπεται να χρησιμοποιηθεί μόνο σύμφωνα με τον αναφερόμενο σκοπό προορισμού.

**ΔΗΛΩΣΗ ΠΙΣΤΟΤΗΤΑΣ ΕΚ**

Ως κατασκευαστής δηλώνουμε υπεύθυνα ότι το προϊόν που περιγράφεται στο κεφάλαιο «Τεχνικά Χαρακτηριστικά» είναι συμβατό με όλες τις σχετικές διατάξεις των Κοινοτικών Οδηγιών 2011/65/EU (RoHS), 20/14/30/EE, 2006/42/EK και τα ακόλουθα εναρμονισμένα κανονιστικά έγγραφα:  
 EN 62841-1:2015  
 EN 62841-2-2:2014  
 EN 55014-1:2017+A11:2020  
 EN 55014-2:2015  
 EN IEC 63000:2018

Winnenden, 2020-12-02

  
 Alexander Krug  
 Managing Director



Εξουσιοδοτημένος να συντάξει τον τεχνικό φάκελο.

Technronic Industries GmbH  
 Max-Eyth-Straße 10  
 71364 Winnenden  
 Germany

**ΜΠΑΤΑΡΙΑΣ**

Επαναφορτίζετε τις ανταλλακτικές μπαταρίες που δεν έχουν χρησιμοποιηθεί για μεγαλύτερο χρονικό διάστημα πριν τη χρήση. Μια θερμοκρασία πάνω από 50°C μειώνει την ισχύ της ανταλλακτικής μπαταρίας. Αποφεύγετε τη θέρμανση για μεγαλύτερο χρονικό διάστημα από τον ήλιο ή τις συσκευές θέρμανσης.

Διατηρείτε τις επαφές σύνδεσης στο φορτιστή και στην ανταλλακτική μπαταρία καθαρές.

Για μια άριστη διάρκεια ζωής πρέπει μετά τη χρήση οι μπαταρίες να φορτιστούν πλήρως.

Για μια κατά το δυνατόν μεγάλη διάρκεια ζωής οι μπαταρίες μετά τη φόρτιση οφείλουν να αφαιρεθούν από το φορτιστή.

Για την αποθήκευση της μπαταρίας για διάστημα μεγαλύτερο των 30 ημερών:  
 Αποθηκεύετε τη μπαταρία περ. στους 27°C σε στεγνό χώρο.  
 Αποθηκεύετε τη μπαταρία περ. στο 30%-50% της κατάστασης φόρτισης. Κάθε 6 μήνες φορτίζετε εκ νέου τη μπαταρία.

**ΠΡΟΣΤΑΣΙΑ ΥΠΕΡΦΟΡΤΩΣΗΣ ΤΗΣ ΜΠΑΤΑΡΙΑΣ**

Σε υπερφόρτωση της μπαταρίας από πολύ υψηλή κατανάλωση ρεύματος, π. χ. από ακραίες υψηλές ροπές περιστροφής, μπλοκάρισμα του τροπανιού, ζαφνικό στοπ ή βραχυκύκλωμα, δονείται το ηλεκτρικό εργαλείο για 5 δευτερόλεπτα, αναβοσβήνει η ένδειξη φόρτισης και το ηλεκτρικό εργαλείο απενεργοποιείται αυτόματα. Για μία νέα ενεργοποίηση, αφήνετε ελεύθερο το διακόπτη και στη συνέχεια ενεργοποιείτε εκ νέου. Κάτω από ακραίες καταπονήσεις θερμαίνεται πάρα πολύ η μπαταρία. Στην περίπτωση αυτή αναβοσβήνουν όλες οι λάμπες της ένδειξης φόρτισης μέχρι να έχει κρυσώσει η μπαταρία. Μετά το σβήσιμο της ένδειξης φόρτισης μπορεί να συνεχιστεί η συνεργασία.

**ΜΕΤΑΦΟΡΑ ΤΩΝ ΜΠΑΤΑΡΙΩΝ ΙΟΝΤΩΝ ΛΙΘΙΟΥ**

Οι μπαταρίες ιόντων λίθιου υπόκεινται στις απαιτήσεις των νομικών διατάξεων για την μεταφορά επικινδύνων εμπορευμάτων.

Η μεταφορά τέτοιων μπαταριών πρέπει να πραγματοποιείται τηρώντας τους τοπικούς, εθνικούς και διεθνείς κανονισμούς και τις αντίστοιχες διατάξεις.

- Επιτρέπεται η μεταφορά τέτοιων μπαταριών στο δρόμο χωρίς περαιτέρω απαιτήσεις.
- Η εμπορική μεταφορά μπαταριών ιόντων λίθιου από εταιρείες μεταφορών υπόκειται στις απαιτήσεις των νομικών διατάξεων για τη μεταφορά επικινδύνων εμπορευμάτων. Οι προετοιμασίες αποστολής και η μεταφορά πραγματοποιούνται αποκλειστικά από ειδικά εκπαιδευμένα πρόσωπα. Η συνολική διαδικασία συνοδεύεται από εξειδικευμένο προσωπικό.

Κατά τη μεταφορά μπαταριών ιόντων λίθιου πρέπει να προσέχετε τα εξής:

- Φροντίστε τα σημεία επαφών να είναι προστατευμένα και μονωμένα ώστε να αποφευχθούν βραχυκυκλώματα.
- Προσέξτε το πακέτο μπαταριών να είναι σταθερό μέσα στη συσκευασία και να μη γλιστρά.
- Η μεταφορά μπαταριών που παρουσιάζουν φθορές ή διαρροές δεν επιτρέπεται.










Για περισσότερες πληροφορίες απευθυνθείτε στην εταιρεία μετάφορων.

**ΣΥΝΤΗΡΗΣΗ**

Χρησιμοποιείτε μόνο πρόσθ. εξαρτήματα Milwaukee και ανταλλακτικά Milwaukee. Κατασκ. τμήματα, που η αλλαγή τους δεν περιγράφεται, αντικαθιστούνται σε μια τεχνική υποστήριξη της Milwaukee (βλέπε φυλλάδιο εγγύηση/ διευθύνσεις τεχνικής υποστήριξης).

Σε περίπτωση που το χρειαστείτε μπορείτε να παραγγείτε λεπτομερές σχέδιο της συσκευής αναφέροντας τον τύπο και τον εξαψήφιο αριθμό που βρίσκεται στην πινακίδα τεχνικών χαρακτηριστικών από την εξυπηρέτηση πελατών ή απευθείας από την Technronic Industries GmbH, διεύθυνση Max-Eyth-Straße 10, 71364 Winnenden, Germany.

**ΣΥΜΒΟΛΑ**

	ΠΡΟΣΟΧΗ! ΠΡΟΕΙΔΟΠΟΙΗΣΗ! ΚΙΝΔΥΝΟΣ!
	Πριν από κάθε εργασία στη μηχανή αφαιρείτε την ανταλλακτική μπαταρία.
	Παρακαλώ διαβάστε σχολαστικά τις οδηγίες χρήσης πριν από την έναρξη λειτουργίας.
	Ηλεκτρικά μηχανήματα, μπαταρίες/συσσωρευτές δεν επιτρέπεται να απορρίπτονται μαζί με τα οικιακά απορρίμματα.
	Ηλεκτρικά μηχανήματα και συσσωρευτές συλλέγονται ξεχωριστά και παραδίδονται προς ανακύκλωση με τρόπο φιλικό προς το περιβάλλον σε επικύρωση επεξεργασίας απορριμμάτων. Ενημερωθείτε από τις τοπικές υπηρεσίες ή από ειδικευμένους εμπόρους σχετικά με κέντρα ανακύκλωσης και συλλογής απορριμμάτων.
	Ευρωπαϊκό σήμα πιστότητας
	Βρετανικό σήμα πιστότητας
	Ουκρανικό σήμα πιστότητας
	Ευρασιατικό σήμα πιστότητας

TEKNİK VERİLER	AKÜNÜN SANAYİ VIDASI	M12 FIR14LR	M12 FIR38LR
Üretim numarası .....	4811 34 01 .....	4811 30 01 .....	4811 30 01 .....
Tornavida ucu kovani.....	...000001-999999	...000001-999999	...000001-999999
Boştaki devir sayısı.....	1/4" (6,35 mm).....	3/8" (9,5 mm)	
Tork.....	0-250 min <sup>-1</sup> .....	0-200 min <sup>-1</sup>	
Kartuş akü gerilimi.....	54 Nm .....	75 Nm	
Ağırlığı ise EPTA-üretici 01/2014'e göre. (2,0 Ah ... 6,0 Ah).....	12 V .....	12 V	
Çalışma sırasında tavsiye edilen ortam sıcaklığı.....	1,13 kg ... 1,3 kg.....	1,4 kg ... 1,6 kg	
Tavsiye edilen akü tipleri.....	-18°C ... +50°C		
Tavsiye edilen şarj aletleri.....	M12B .....		
	C12C, M12C4, M12-18...		

#### Gürültü/Vibrasyon bilgileri

Ölçüm değerleri EN 62841 e göre belirlenmektedir.		
Aletin, frekansa bağımlı uluslararası ses basıncı seviyesi değerlendirme eğrisi A'ya göre tipik gürültü seviyesi:		
Ses basıncı seviyesi (Tolerans K=3dB(A)).....	79,99 dB (A).....	81,95 dB (A)
Akustik kapasite seviyesi (Tolerans K=3dB(A)).....	90,99 dB (A).....	92,95 dB (A)

#### Koruyucu kulaklık kullanın!

Toplam titreşim değeri (üç yönün vektör toplamı) EN 62841'e göre belirlenmektedir:

titreşim emisyon değeri a <sub>w</sub>		
Maksimum ebatta vida ve somunların sıkılması.....	1,44 m/s <sup>2</sup> .....	2,64 m/s <sup>2</sup>
Tolerans K = .....	1,5 m/s <sup>2</sup> .....	1,5 m/s <sup>2</sup>

#### UYARI

Bu bilgi formunda belirtilen titreşim ve gürültü düzeyi EN 62841 uyarınca standart bir test yöntemine göre ölçülmüş olup, bir aleti diğeriyle karşılaştırmak için kullanılabilir. Bir maruz kalma ön değerlendirmesi için de kullanılabilir.

Beyan edilmiş titreşim ve gürültü emisyon değeri aletin ana uygulamalarını temsil eder. Ancak, alet farklı uygulamalar için veya farklı aksesuarla kullanılır ya da aletin bakımı yetersiz yapılırsa, titreşim ve gürültü emisyonu farklılık gösterebilir. Bu, toplam çalışma süresi boyunca maruz kalma seviyesini önemli ölçüde artırabilir.

Titreşim ve gürültüye maruz kalma seviyesi tahmininde, aletin kapalı olduğu veya çalıştığı, ancak aslında işini yapmadığı süreler de göz önünde bulundurulmalıdır. Bu, toplam çalışma süresi boyunca maruz kalma seviyesini önemli ölçüde azaltabilir.

Operatörü titreşim ve/veya gürültünün etkilerinden korumak için, aletin ve aksesuarların bakımını yapmak, elleri sıcak tutmak ve çalışma biçimlerini düzenlemek gibi ilave güvenlik önlemleri belirleyin.

#### ⚠ UYARI! Bu elektrikli el aletiyle ilgili bütün uyarıları, talimat hükümlerini, gösterimleri ve spesifikasyonları okuyun.

Aşağıda açıklanan talimat hükümlerine uyulmadığı takdirde elektrik çarpmalarına, yangınlara ve/veya ağır yaralanmalara neden olunabilir.

#### ⚠ TORNAVIDALAR İÇİN GÜVENLİK AÇIKLAMASI:

**Vidayı bükün ve elektrik hattına maruz kalabilen çalışmalar yaparken cihazın izole edilmiş bulunan tutacak kolundan tutun.** Voltaj altında kalan vida ile temas edilmesi, metal cihaz parçalarına elektrik akımı verebilir ve bu da elektrik çarpmasına neden ol.

**Koruyucu kulaklık kullanın.** Çalışırken çıkan gürültü işitme kayıplarına neden olabilir.

#### EK GÜVENLİK VE ÇALIŞMA TALİMATLARI

Koruma teçhizatı kullanın.Makinada çalışırken devamlı surette koruyucu gözlük takın. Koruyucu elbise ve tozlardan korunma maskesi, emniyet eldivenleri ve sağlam ve kaymaya mukavim ayakkabı giyin. Başlık ve kulaklık tavsiye edilir.

Çalışma sırasında ortaya çıkan toz genellikle sağlığı zararlıdır ve bedeninize temas etmemelidir. Uygun bir koruyucu toz maskesi kullanın

Sağlık tehlikelerine neden olan malzemelerin işlenmesi yasaktır (örn. asbest).

Uca yerleştirilen takımın bloke olması halinde lütfen cihazı hemen kapatın! Uca yerleştirilen takım bloke olduğu sürece cihazı tekrar çalıştırmayın; bu sırada yüksek reaksiyon momentine sahip bir geri tepme meydana gelebilir. Uca yerleştirilen takımın neden bloke olduğuna bakın ve bu durumu güvenlik uyarılarına dikkat ederek gidin.

Olası nedenler şunlar olabilir:

- İşlenen parça içinde takılma
- İşlenen malzemenin delinmesi
- Elektrikli alete aşırı yük binmesi

Ellerinizi çalışmakta olan makinenin içine uzatmayın.

Uca yerleştirilen takım kullanımı sırasında ısınabilir.

#### UYARI! Yanma tehlikesi

- takım değiştirme sırasında
- aletin yere bırakılması sırasında

Alet çalışır durumda iken talaş ve kırıntıları temizlemeye çalışmayın.

Duvar, tavan ve zeminde delik açarken elektrik kablolarına, gaz ve su borularına dikkat edin.

İşlenen parçayı bir germe tertibatıyla emniyete alın. Emniyete alınmayan iş parçaları ağır yaralanmalar ve hasarlara neden olabilir.

Aletin kendinde bir çalışma yapmadan önce kartuş aküyü çıkarın.

Kullanılmış kartuş aküleri ateşe veya ev çöplerine atmayın. Milwaukee, kartuş akülerin çevreye zarar vermeyecek biçimde tasfiye edilmesine olanak sağlayan hizmet sunar; lütfen bu konuda yetkili satıcınızdan bilgi alın.

Kartuş aküleri metal parça veya eşyalarla birlikte saklamayın (kısa devre tehlikesi).

M12 sistemli kartuş aküleri sadece M12 sistemli şarj cihazları ile şarj edin. Başka sistemli aküleri şarj etmeyin.

Kartuş aküleri ve şarj cihazını açmayın ve sadece kuru yerlerde saklayın. Neme ve ıslanmaya karşı koruyun.

Aşırı zorlanma veya aşırı ısınma sonucu hasar gören kartuş akülerden batarya sıvısı dışarı akabilir. Batarya sıvısı ile temasa gelen yeri hemen bol su ve sabunla yıkayın. Batarya sıvısı gözünüze kaçacak olursa en azından 10 dakika yıkayın ve zaman geçirmeden bir hekime başvurun.

**Uyarı!** Bir kısa devreden kaynaklanan yangın, yaralanma veya ürün hasarları tehlikesini önlemek için aleti, güç paketini veya şarj cihazını asla sıvıların içine daldırmayınız ve cihazların ve pillerin içine sıvı girmesini önleyiniz. Tuzlu su, belirli kimyasallar, ağartıcı madde veya ağartıcı madde içeren ürünler gibi korozif veya iletken sıvılar kısa devreye neden olabilir.

#### KULLANIM

Akünün sanayi vidası evrensel olarak kullanılabilir ve somunların kullanılmasını ve çıkarılmasını yarar, ağı bağlantısından bağımsızdır. Bu alet sadece belirttiği gibi ve usulüne uygun olarak kullanılabilir.

#### CE UYGUNLUK BEYANI

Üretici sıfatıyla tek sorumlu olarak "Teknik Veriler" bölümünde tarif edilen ürünün 2011/65/EU (RoHS), 2014/30/EC, 2006/42/EC sayılı direktifin ve aşağıdaki harmonize temel belgelerin bütün önemli hükümlerine uygun olduğunu beyan etmekteyiz:

EN 62841-1:2015  
EN 62841-2-2:2014  
EN 55014-1:2017+A11:2020  
EN 55014-2:2015  
EN IEC 63000:2018

Winnenden, 2020-12-02

*Alexander Krug*

Alexander Krug  
Managing Director



Teknik evrakları hazırlamakla görevlendirilmiştir.

Techtronic Industries GmbH  
Max-Eyth-Straße 10  
71364 Winnenden  
Germany

#### AKÜ

Uzun süre kullanım dışı kalmış kartuş aküleri kullanmadan önce şarj edin.

50°C üzerindeki sıcaklıklar kartuş akünün performansını düşürür. Akünün güneş ışığı veya mekân sıcaklığı altında uzun süre ısınmasına dikkat edin.

Şarj cihazı ve kartuş aküdeki bağlantı noktalarını temiz tutun.

Akünün ömrünün mükemmel bir şekilde uzun olması için kullandıktan sonra tamamen doldurulması gerekir.

Ömrünün mümkün olduğu kadar uzun olması için akülerin yüklemeye yapıldıktan sonra doldurma cihazından uzaklaştırılması gerekir.

Akünün 30 günden daha fazla depolanması halinde:

Aküyü yaklaşık 27°C'de kuru olarak depolayın.

Aküyü yüklemeye durumunun yaklaşık % 30 - %50 olarak depolayın.

Aküyü her 6 ay yeniden doldurun.

#### AKÜNÜN AŞIRI YÜKLENMEYE KARŞI KORUNMASI

Pek fazla elektrik tüketimi yapılmak suretiyle aküye fazla yüklenildiğinde, örneğin aşırı devir momentleri, matkap sıkıştırması, aniden durma veya kısa devre, elektrikli alet 2 saniye garip sesler çıkarır ve kendiliğinden durur.

Aleti yeniden çalıştırmak için şalter baskı kolunu serbest bırakın ve bundan sonra tekrar çalıştırın. Aşırı yüklenme durumunda ise akü pek fazla ısınır. Bu durumda akü kendiliğinden durur.

Aküyü tekrar doldurmak ve aktif hale getirmek amacı ile şarja bağlayın.

#### LİTYUM İYON PİLLERİN TAŞINMASI

Lityum iyon piller tehlikeli madde taşımacılığı hakkındaki yasal hükümler tabidir.

Bu piller, bölgesel, ulusal ve uluslararası yönetmeliklere ve hükümlere uyularak taşınmak zorundadır.

- Tüketiciler bu pilleri herhangi bir özel şart aranmaksızın kolaylıkla taşıyabilirler.
- Lityum iyon pillerin nakliye şirketleri tarafından ticari taşımacılığı için tehlikeli madde taşımacılığının hükümleri geçerlidir. Servis hazırlığı ve taşıma sadece ilgili eğitimi görmüş personel tarafından gerçekleştirilebilir. Bütün süreç uzmanca bir refakatçilik altında gerçekleştirilmek zorundadır.

Pillerin taşınması sırasında aşağıdaki hususlara dikkat edilmesi gerekmektedir:

- Kısa devre oluşmasını önlemek için kontaktların korunmuş ve izole edilmiş olmasını sağlayınız.

- Pil paketinin ambalajı içinde kaymamasına dikkat ediniz.
- Hasarlı veya akmış pillerin taşınması yasaktır.

Ayrıca bilgiler için nakliye şirketinize başvurunuz.

#### BAKIM

Sadece Milwaukee aksesuarı ve yedek parçası kullanın. Nasıl değiştirileceği açıklanmamış olan yapı parçalarını bir Milwaukee müşteri servisinde değiştirin (Garanti ve servis adresi broşürüne dikkat edin).

Gerektiğinde cihazın ayrıntılı çizimini, güç levhası üzerindeki makine modelini ve altı haneli rakamı belirterek müşteri servisinizden veya doğrudan Techtronic Industries GmbH, Max-Eyth-Straße 10, 71364 Winnenden, Germany adresinden isteyebilirsiniz.

#### SEMBOLLER

	DİKKAT! UYARI! TEHLİKE!
	Aletin kendinde bir çalışma yapmadan önce kartuş aküyü çıkarın.
	Lütfen aleti çalıştırmadan önce kullanma kılavuzunu dikkatli biçimde okuyun.
	Elektrikli cihazların, pillerin/akülerin evsel atıklarla birlikte bertaraf edilmesi yasaktır. Elektrikli cihazlar ve aküler ayrılarak biriktirilmeli ve çevreye zarar vermeden bertaraf edilmeleri için bir atık değerlendirme tesisine götürülmelidirler. Yerel makamlara veya satıcınıza geri dönüşüm tesisleri ve atık toplama merkezlerinin yerlerini danışınız.
	Avrupa uyumluluk işareti
	Britanya uyumluluk işareti
	Ukrayna uyumluluk işareti
	Avrasya uyumluluk işareti



TECHNICKÁ DATA	AKUMULÁTOROVÝ PRŮMYSLOVÝ ŠROUBOVÁK	M12 FIR14LR	M12 FIR38LR
Výrobní číslo.....	4811 34 01.....	4811 30 01.....	
	...000001-999999	...000001-999999	
Uchycení nástroje.....	1/4" (6,35 mm).....	3/8" (9,5 mm)	
Počet otáček při běhu naprázdno.....	0-250 min <sup>-1</sup> .....	0-200 min <sup>-1</sup>	
Krouticí moment.....	54 Nm.....	75 Nm	
Napětí výměnného akumulátoru.....	12 V.....	12 V	
Hmotnost podle prováděcího předpisu EPTA 01/2014 (2,0 Ah ... 6,0 Ah).....	1,13 kg ... 1,3 kg.....	1,4 kg ... 1,6 kg	
Doporučená okolní teplota při práci.....	-18°C ... +50°C		
Doporučené typy akumulátorů.....	M12B..		
Doporučené nabíječky.....	C12C, M12C4, M12-18...		

#### Informace o hluku / vibracích

Naměřené hodnoty odpovídají EN 62841.

V třídě A posuzovaná hladina hluku přístroje činí typicky:

Hladina akustického tlaku (Kolisavost K=3dB(A))..... 79,99 dB (A)..... 81,95 dB (A)

Hladina akustického výkonu (Kolisavost K=3dB(A))..... 90,99 dB (A)..... 92,95 dB (A)

#### Použijte chrániče sluchu !

Celkové hodnoty vibrací (vektorový součet tří směrů) zjištěné ve smyslu EN 62841.

Hodnota vibračních emisí a<sub>w</sub>

Utážení šroubů a matic maximální velikosti ..... 1,44 m/s<sup>2</sup>..... 2,64 m/s<sup>2</sup>

Kolisavost K = ..... 1,5 m/s<sup>2</sup>..... 1,5 m/s<sup>2</sup>

#### VAROVÁN

Hladina vibrací a emisí hluku uvedená v tomto informačním listu byla měřena v souladu se standardizovanou zkouškou uvedenou v normě EN 62841 a může být použita ke srovnání jednoho nástroje s jiným. Může být použita k předběžnému posouzení expozice.

Deklarovaná úroveň vibrací a emisí hluku představuje hlavní použití nástroje. Pokud se však nástroj používá pro různé aplikace, s různým příslušenstvím nebo s nedostatečnou údržbou, mohou se vibrace a emise hluku lišit. To může výrazně zvýšit úroveň expozice v průběhu celé pracovní doby.

Odhad úrovně expozice vibracím a hluku by měl také vzít v úvahu dobu, kdy je nástroj vypnutý nebo když běží, ale ve skutečnosti neprovádí úlohu. To může výrazně snížit úroveň expozice v průběhu celé pracovní doby.

Identifikujte dodatečná bezpečnostní opatření k ochraně pracovníka obsluhy před účinky vibrací a/nebo hluku, například: údržba nástroje a příslušenství, udržování rukou v teple, organizace pracovních schémat.

**VAROVÁNÍ! Přečtěte si všechna výstražná upozornění, pokyny, zobrazení a specifikace pro toto elektrické nářadí.** Zanedbání při dodržování výstražných upozornění a pokynů uvedených v následujícím textu může mít za následek zásah elektrickým proudem, způsobit požár a/nebo těžké poranění.

#### BEZPEČNOSTNÍ POKYNY PRO PRÁCI SE ŠROUBOVÁKEM:

**Přístroj držte za izolované plochy, pokud provádíte práce, při kterých může šroub zasáhnout skrytá elektrická vedení.**

Kontakt šroubu s vedením pod napětím může přivést napětí na kovové části přístroje a způsobit elektrický ráz.

**Použijte chrániče sluchu.** Působením hluku může dojít k poškození sluchu.

#### DALŠÍ BEZPEČNOSTNÍ A PRACOVNÍ POKYNY

Použijte ochranné vybavení. Při práci s elektrickým nářadím používejte vždy ochranné brýle. Doporúčujeme rovněž použití součástí ochranného oděvu a ochranné obuvi, jako protiprašné masky, ochranných rukavic, pevné a nekouzlající obuvi, ochranné přílby a ochrany sluchu.

Prach vznikající při práci s tímto nářadím může být zdraví škodlivý. Proto by neměl přijít do styku s tělem. Používejte při práci vhodnou ochranou masku.

Nesmějí se opravovávat materiály, které mohou způsobit ohrožení zdraví (např. azbest)

Při zablokování nasazeného nástroje přístroj okamžitě vypněte! Přístroj nezapínajte, pokud je nasazený nástroj zablokovaný; moh by při tom vzniknout zpětný náraz s vysokým reakčním momentem. Zjistete příčinu zablokování nasazeného nástroje a odstraňte ji při dodržení bezpečnostních pokynů.

Možnými příčinami mohou být:

- vzpříčení v opravovaném obrobku
- přelomení opravovaného materiálu
- přetížení elektrického přístroje

Nezasahujte do běžícího stroje.

Nasazený nástroj se může během používání rozpálit.

**VAROVÁNÍ! Nebezpečí popálení.**

- při výměně nástroje
- při odkládání přístroje

Pokud stroj běží, nesmí být odstraňovány třísky nebo odštěpky.

Při vrtní do zdi, stropu nebo podlahy dávat pozor na elektrické kabely, plynová a vodovodní trubky.

Obrobek zabezpečte upínacím zařízením. Nezabezpečené obrobky mohou způsobit těžká poranění a poškození.

Před zahájením veškerých prací na vrtacím šroubováku vyjmout výměnný akumulátor.

Použitě nevyhazujte do domovního odpadu nebo do ohně.

Milwaukee nabízí ekologickou likvidaci starých článků, ptejte se u vašeho obchodníka s nářadím.

Náhradní akumulátor neskladujte s kovovými předměty, nebezpečí zkratky.

Akumulátor systému M12 nabíjejte pouze nabíječkou systému M12 . Nenabíjejte akumulátory jiných systémů.

Náhradní akumulátory ani nabíječku neotvírejte, skladujte je v suchu, chráňte před vlhkem.

Při extrémní zátěži či vysoké teplotě může z akumulátoru vytékat kapalina. Při zasažení touto kapalinou okamžitě zasažená místa omyjte vodou a mýdlem. Při zasažení očí okamžitě důkladně po dobu alespoň 10min. omyvat a neodkladně vyhledat lékaře.

**Varování!** Abyste zabránili nebezpečí požáru způsobeného zkratem, poraněním nebo poškozením výrobku, neponořujte nářadí, výměnnou baterii nebo nabíječku do kapaliny a zajistěte, aby do zařízení a akumulátorů nevnikly žádné tekutiny. Korodující nebo vodivé kapaliny, jako je slaná voda, určité chemikálie a bělicí prostředky nebo výrobky, které obsahují bělidlo, mohou způsobit zkrat.

#### OBLAST VYUŽITÍ

Akumulátorový průmyslový šroubovák je univerzální nástroj k utahování a uvolňování šroubů a matic nezávisle na síťovém zdroji.

Toto zařízení lze používat jen pro uvedený účel.

#### CE-PROHLÁŠENÍ O SHODĚ

My jako výrobce výhradně na vlastní zodpovědnost prohlašujeme, že se výrobek popsaný v "Technických údajích" shoduje se všemi relevantními předpisy směrnice 2011/65/EU (RoHS), 2014/30/EU, 2006/42/ES a následujícími harmonizovanými normativními dokumenty:

EN 62841-1:2015

EN 62841-2-2:2014

EN 55014-1:2017+A11:2020

EN 55014-2:2015

EN IEC 63000:2018

Winnenden, 2020-12-02

*Alexander Krug*

Alexander Krug  
Managing Director



Zplnomocněn k sestavování technických podkladů.

Techtronic Industries GmbH  
Max-Eyth-Straße 10  
71364 Winnenden  
Germany

#### AKUMULÁTORY

Déle nepoužívané akumulátory je nutné před použitím znovu nabít.

Teplota přes 50°C snižuje výkon akumulátorů. Chraňte před dlouhým přehříváním na slunci či u topení.

Kontakty nabíječky a akumulátoru udržujte v čistotě.

Optimální životnost akumulátorů se zajistí, když se po použití vždy plně nabijí.

K zabezpečení dlouhé životnosti by se akumulátory měly po nabití vyjmout z nabíječky.

Při skladování akumulátoru po dobu delší než 30 dní:

Skladujte akumulátor v suchu při cca 27°C.

Skladujte akumulátor při cca 30%-50% nabíjecí kapacity.

Opakujte nabíjení akumulátoru každých 6 měsíců.

#### OCHRANA PROTI PŘETÍŽENÍ AKUMULÁTORU

Při přetížení akumulátoru přilíží vysokým odběrem proudu, například při extrémně vysokých točivých momentech, při blokování vrtáku, náhlém zastavení nebo zkratu, začne vrtáčka na 2 sekundy brčet a poté se samočinně vypne. K opětnému zapnutí uvolněte spínací tlačítko a poté jej opět zapněte.

Při extrémním zatížení se akumulátor může silně zahřát. Dojde-li k tomu, akumulátor se vypne.

Akumulátor v tomto případě k dobití a aktivaci vložte opět do nabíječky.

#### PŘEPRAVA LITHIUM-IONTOVÝCH BATERIÍ

Lithium-iontové baterie spadají podle zákonných ustanovení pod přepravu nebezpečného nákladu.

Přeprava těchto baterií se musí realizovat s dodržováním lokálních, vnitrostátních a mezinárodních předpisů a ustanovení.

- Spotřebitelé mohou tyto baterie bez problémů přepravovat po komunikacích.
- Komerční přeprava lithiium-iontových baterií prostřednictvím přepravních firem podléhá ustanovením o přepravě nebezpečného nákladu. Přípravu k vyexpedování a samotnou přepravu smějí vykonávat jen příslušně vyškolené osoby. Na celý proces se musí odborně dohlížet.

Při přepravě baterií je třeba dodržovat následující:

- Zajistěte, aby kontakty byly chráněné a izolované, aby se zamezilo zkratům.

- Dávejte pozor na to, aby se svazek baterií v rámci balení nemohl sesmeknout.
- Poškozené a vyteklé baterie se nesmějí přepravovat.

Ohledně dalších informací se obraťte na vaši přepravní firmu.

#### ÚDRŽBA

Používat výhradně příslušenství Milwaukee a náhradní díly Milwaukee. Díly jejichž výměny nebyla popsána, nechte vyměnit v autorizovaném servisu (viz "Záruky / Seznam servisních míst")

V případě potřeby si můžete v servisním centru pro zákazníky nebo přímo od firmy Techtronic Industries GmbH, Max-Eyth-Straße 10, 71364 Winnenden, Německo vyžádat schematicky nářez jednotlivých dílů přístroje, když uvedete typ přístroje a šestimístné číslo na výkonovém štítku.

#### SYMBOLY

	POZOR! VAROVÁNÍ! NEBEZPEČÍ!
	Před zahájením veškerých prací na vrtacím šroubováku vyjmout výměnný akumulátor.
	Před spuštěním stroje si pečlivě přečtěte návod k používání.
	Elektrická zařízení, baterie/akumulátory se nesmí likvidovat společně s odpadem z domácnosti. Elektrická zařízení, baterie/akumulátory je třeba sbírat odděleně a odevzdat je v recyklačním podniku na ekologickou likvidaci. Na místních úřadech nebo u vašeho specializovaného prodejce se informujte na recyklační podniky a sběrné dvory.
	Značka shody v Evropě
	Značka shody v Británii
	Značka shody na Ukrajině
	Značka shody pro oblast Eurasie

TECHNICKÉ ÚDAJE	AKUMULÁTOROVÝ PRIEMYSLOVÝ SKRUTKOVAČ	M12 FIR14LR	M12 FIR38LR
Výrobné číslo.....	4811 34 01.....	4811 30 01.....	4811 30 01.....
Upnutie nástroja .....	0.00001-999999.....	0.00001-999999.....	0.00001-999999.....
Otáčky naprázdno .....	1/4" (6,35 mm).....	3/8" (9,5 mm).....	3/8" (9,5 mm).....
Točivý moment.....	0-250 min <sup>-1</sup> .....	0-200 min <sup>-1</sup> .....	0-200 min <sup>-1</sup> .....
Napätie výmenného akumulátora.....	54 Nm.....	75 Nm.....	75 Nm.....
Hmotnosť podľa vykonávacieho predpisu EPTA 01/2014 (2,0 Ah ... 6,0 Ah) .....	12 V.....	12 V.....	12 V.....
Odporúčaná okolitá teplota pri práci.....	1,13 kg ... 1,3 kg.....	1,4 kg ... 1,6 kg.....	1,4 kg ... 1,6 kg.....
Odporúčané typy akupaku.....	-18°C ... +50°C.....	M12B.....	M12B.....
Odporúčané nabíjačky.....	C12C, M12C4, M12-18...		

#### Informácia o hluku / vibráciách

Namerané hodnoty určené v súlade s EN 62841.

V triede A posudzovaná hladina hluku prístroja číni typicky:

Hladina akustického tlaku (Kolísavosť K=3dB(A))..... 79,99 dB (A)..... 81,95 dB (A)

Hladina akustického výkonu (Kolísavosť K=3dB(A))..... 90,99 dB (A)..... 92,95 dB (A)

#### Používajte ochranu sluchu!

Celkové hodnoty vibrácií (vektorový súčet troch smerov) zistené v

zmysle EN 62841.

Hodnota vibračných emisií a<sub>h</sub>

Utiahnutie skrutiek a matic maximálnej veľkosti ..... 1,44 m/s<sup>2</sup>..... 2,64 m/s<sup>2</sup>

Kolísavosť K = ..... 1,5 m/s<sup>2</sup>..... 1,5 m/s<sup>2</sup>

#### POZOR

Úroveň vibrácií a emisií hluku uvedená v tomto informačnom liste bola meraná v súlade so štandardizovanou skúškou uvedenou v EN 62841 a môže sa použiť na porovnanie jedného nástroja s druhým. Môže sa použiť v predbežnom posúdení expozície.

Deklarovaná úroveň vibrácií a emisií hluku predstavuje hlavné aplikácie nástroja. Ak sa však nástroj používa pre rôzne aplikácie, s rôznym príslušenstvom alebo s nedostatočnou údržbou, môžu sa vibrácie a emisie hluku líšiť. To môže výrazne zvýšiť úroveň expozície počas celej pracovnej doby.

Odhad úrovne expozície vibráciám a hluku by mal tiež brať do úvahy časy, keď je nástroj vypnutý alebo keď beží, ale v skutočnosti nevykonáva prácu. To môže výrazne znížiť úroveň expozície počas celej pracovnej doby.

Identifikujte dodatočné bezpečnostné opatrenia na ochranu pracovníka obsluhy pred účinkami vibrácií a/alebo hluku, ako je: údržba nástroja a príslušenstva, udržanie teplých rúk, organizácia pracovných schém.

#### VAROVANIE! Prečítajte si všetky výstražné upozornenia, pokyny, znázornenia a špecifikácie pre toto elektrické náradie.

Zanedbanie pri dodržiavaní výstražných upozornení a pokynov uvedených v nasledujúcom texte môže mať za následok zásah elektrickým prúdom, spôsobiť požiar a/alebo ťažké poranenie.

#### BEZPEČNOSTNÉ POKYNY PRE PRÁCU SO SKRUTKOVACOM:

Kadar izvazate dela pri katerih lahko sveder zadane v prikríte električne vode, držite napravo za izolirane prijemalne površine. Stik svedra z električnim vodnikom lahko kovinske deli naprave spravi pod napetost in vodi do električnega udara.

Používajte ochranu sluchu. Pôsobenie hluku môže spôsobiť stratu sluchu.

#### ĎALŠIE BEZPEČNOSTNÉ A PRACOVNÉ POKYNY

Použite ochranné vybavenie. Pri práci s elektrickým náradím používajte vždy ochranné okuliare. Doporučujeme taktiež použitie súčastí ochranného odevu a ochranné obuvi, ako sú protiprašná maska, ochranné rukavice, pevná a nekľzajúca obuv, ochranná prilba a ochrana sluchu.

Prach vznikajúci pri práci môže byť škodlivý zdraviu. Pri práci nosiť vhodnú ochrannú masku, aby sa nedostal do ľudského organizmu.

Nesmú sa upravovať materiály, ktoré môžu spôsobiť ohrozenie zdravia (napr. azbest)

Pri zablokovaní nasadeného nástroja prístroj okamžite vypnite! Prístroj nezapínajte, pokiaľ je nasadený nástroj zablokovaný; mohol by pri tom vzniknúť spätný náraz s vysokým reakčným momentom. Príčinu zablokovania nasadeného nástroja zistíte a odstránite so zohľadnením bezpečnostných pokynov.

Možnými príčinami môžu byť:

- spriechenenie v opracovávanom obrodku
- prelomenie opracovávaného materiálu
- preťaženie elektrického prístroja

Nezasahujte do bežiaceho stroja.

Nasadený nástroj sa počas používania môže rozhorčiť!

**POZOR!** Nebezpečenstvo popálenia

- pri výmene nástroja
- pri odkladaní prístroja

Triesky alebo úlomky sa nesmú odstraňovať za chodu stroja.

Pri práci v stene, strope alebo v podlahe dávajte pozor na elektrické káble, plynové a vodovodné potrubia.

Obrobok zabezpečte upínacím zariadením. Nezabezpečené obroby môžu spôsobiť ťažké poranenia a poškodenia.

Pred každou prácou na stroji výmenný akumulátor vytiahnuť.

Opotrebované výmenné akumulátory nezahadzujte do ohňa alebo medzi domový odpad. Milwaukee ponúka likvidáciu starých výmenných akumulátorov, ktorá je v súlade s ochranou životného prostredia; informujte sa u Vášho predajcu.

Výmenné akumulátory neskladovať spolu s kovovými predmetmi (nebezpečenstvo skratu).

Výmenné akumulátory systému M12 nabíjať len nabíjacími zariadeniami systému M12. Akumulátory iných systémov týmto zariadením nenabíjať.

Výmenné akumulátory a nabíjacie zariadenia neotvárajte a skladovať len v suchých priestoroch. Chrániť pred vlhkosťou.

Pri extrémnych záťažach alebo extrémnych teplotách môže dôjsť k vytekaniu batérovej tekutiny z poškodeného výmenného akumulátora. Ak dôjde ku kontaktu pokožky s roztokom, postihnúť miesto umyť vodou a mydlom. Ak sa roztok dostane do očí, okamžite ich dôkladne vypláchnuť po dobu min. 10 min a bezodkladne vyhľadať lekára.

#### POUŽITIE PODĽA PREDPISOV

Akumulátorový priemyslový skrutkovač je univerzálny nástroj na zaťahovanie a uvoľňovanie skrutiek a matic nezávisle od sieťového zdroja.

Tento prístroj sa smie používať len v súlade s uvedenými predpismi.

**Varovanie!** Aby ste zabránili nebezpečenstvu požiaru spôsobeného skratom, poraneniam alebo poškodeniam výrobku, neponárajte náradie, výmennú batériu alebo nabíjačku do kvapalín a postarajte sa o to, aby do zariadení a akumulátorov nevnikli žiadne tekutiny. Korodujúce alebo vodivé kvapaliny, ako je slaná

voda, určité chemikálie a bieliace prostriedky alebo výrobky, ktoré obsahujú bieliadlo, môžu spôsobiť skrat.

#### CE - VYHLÁSENIE KONFORMITY

My ako výrobca výhradne na vlastnú zodpovednosť vyhlasujeme, že výrobok popísaný v "Technických údajoch" sa zhoduje so všetkými relevantnými predpismi smernice 2011/65/EU (RoHS), 2014/30/EU, 2006/42/ES a nasledujúcimi harmonizujúcimi normatívnymi dokumentmi:

EN 62841-1:2015  
EN 62841-2-2:2014  
EN 55014-1:2017+A11:2020  
EN 55014-2:2015  
EN IEC 63000:2018

Winnenden, 2020-12-02

Alexander Krug  
Managing Director

Spĺnomocnený zostaviť technické podklady.

Techtronic Industries GmbH  
Max-Eyth-Straße 10  
71364 Winnenden  
Germany



#### AKUMULÁTORY

Dlhší čas nepoužívané výmenné akumulátory pred použitím dobiť. Teplota vyššia ako 50°C znižuje výkon výmenného akumulátora. Zabráňte dlhšiemu ohriatiu slinkom alebo kúrením.

Pripájacie kontakty na nabíjacom zariadení a výmennom akumulátore udržiavať čisté.

K zachováni optimální životnosti sa batérie musejú po použití vždy úplne dobiť.

K zabezpečeniu dlhej životnosti by sa akumulátory mali po nabití vybrať z nabíjačky.

Pri skladovaní akumulátora po dobu dlhšiu než 30 dní:

Skladujte akumulátor v suchu pri cca 27°C.

Skladujte akumulátor pri cca 30%-50% nabíjacej kapacity.

Opakujte nabíjanie akumulátora každých 6 mesiacov.

#### OCHRANA PROTÍ PRETIAŽENIU AKUMULÁTORA

Pri preťažení akumulátora príliš vysokým odberom prúdu, napríklad pri extrémne vysokých točivých momentoch, pri blokovani vrtáka, náhlom zastavení alebo skrate, začne vrtáčka na 2 sekundy hučať a potom sa samočinne vypne. K opätovnému zapnutiu uvoľníte spinacie tlačidlo a potom ho opät' zapnete.

Pri extrémnom zaťažení sa akumulátor môže silne zahriať. Ak k tomu dôjde, akumulátor sa vypne. Akumulátor v tomto prípade k dobitiu a aktivácii vložte opät' do nabíjačky.

#### PREPRAVA LIŤOVO-IÓNŮVÝCH BATÉRIÍ

Liťovo-iónové batérie podľa zákonných ustanovení spadajú pod prepravu nebezpečného nákladu.

Preprava týchto batérií sa musí realizovať s dodržiavaním lokálnych, vnútroštátnych a medzinárodných predpisov a ustanovení.

- Spotrebiteľia môžu tieto batérie bez problémov prepravovať po cestách.
- Komerčná preprava liťovo-iónových batérií prostredníctvom špeciálnych firiem podlieha ustanoveniam o preprave nebezpečného nákladu. Pripravu k vyexpedovaniu a samotnú prepravu smú vykonávať iba adekvátne vyškolené osoby. Na celý proces sa musí odborne dohliadať.

Pri preprave batérií treba dodržiavať nasledovné:

- Zabezpečte, aby boli kontakty chránené a izolované, aby sa zamedzilo skratom.
- Dávajte pozor na to, aby sa zväzok batérií v rámci balenia nemohol zošmyknúť.
- Poškodené a vytečené batérie sa nesmú prepravovať.

Kvôli ďalším informáciám sa obráťte na vašu špedičnú firmu.

#### ÚDRŽBA

Používať len Milwaukee príslušenstvo a Milwaukee náhradné diely. Súčiastky bez návodu na výmenu treba dať vymeniť v jednom z Milwaukee zákaznických centier (viď brožúru Záruka/Adresy zákaznických centier).

V prípade potreby si môžete v servisnom centre pre zákazníkov alebo priamo od firmy Techtronic Industries GmbH, Max-Eyth-Straße 10, 71364 Winnenden, Nemecko, vyžiadať schematický náčrt jednotlivých dielov prístroja pri uvedení typu prístroja a šesťmiestneho čísla na výkonovom štítku.

#### SYMBOLY



POZOR! NEBEZPEČENSTVO!



Pred každou prácou na stroji výmenný akumulátor vytiahnuť.



Pred prvým použitím prístroja si pozorne prečítajte návod na obsluhu.



Elektrické zariadenia, batérie/akumulátory sa nesmú likvidovať spolu s odpadom z domácnosti. Elektrické zariadenia, batérie/akumulátory treba zbierať oddelene a odovzdať ich v recyklačnom podniku na ekologickú likvidáciu. Na miestnych úradoch alebo u vášho špecializovaného predajcu sa spýtajte na recyklačné podniky a zberné dvory.



Značka zhody v Európe



Značka zhody v Británii



Značka zhody na Ukrajine



Značka zhody pre oblasť Eurázie

DANE TECHNICZNE	WKRETKARKA AKUMULATOROWA PRZEMYSŁOWA	M12 FIR14LR	M12 FIR38LR
Numer produkcyjny.....		4811 34 01 .....	4811 30 01 .....
Gniazdo końcówki.....		..000001-999999	..000001-999999
Prędkość bez obciążenia.....		1/4" (6,35 mm).....	3/8" (9,5 mm)
Moment obrotowy.....		0-250 min <sup>-1</sup> .....	0-200 min <sup>-1</sup>
Napięcie baterii akumulatorowej.....		54 Nm .....	75 Nm
Ciężar wg procedury EPTA 01/2014 (2,0 Ah ... 6,0 Ah).....		12 V .....	12 V
Zalecana temperatura otoczenia w trakcie pracy.....		1,13 kg ... 1,3 kg.....	1,4 kg ... 1,6 kg
Zalecane rodzaje akumulatora.....		-18°C ... +50°C	
Zalecane ładowarki.....		M12B...	
		C12C, M12C4, M12-18...	

### Informacja dotycząca szumów/wibracji

Zmierzone wartości wyznaczone zgodnie z normą EN 62841.		
Poziom szumów urządzenia oszacowany jako A wynosi typowo:		
Poziom ciśnienia akustycznego (Niepewność K=3dB(A)).....	79,99 dB (A).....	81,95 dB (A)
Poziom mocy akustycznej (Niepewność K=3dB(A)) .....	90,99 dB (A).....	92,95 dB (A)

### Należy używać ochraniaczy uszu!

Wartości łączne drgań (suma wektorowa trzech kierunków) wyznaczone zgodnie z normą EN 62841		
Wartość emisji drgań a <sub>w</sub>		
Przykręcanie śrub i nakrętek maksymalnej wielkości.....	1,44 m/s <sup>2</sup> .....	2,64 m/s <sup>2</sup>
Niepewność K = .....	1,5 m/s <sup>2</sup> .....	1,5 m/s <sup>2</sup>

### OSTRZEŻENIE

Poziom drgań i emisji hałasu podany w niniejszej instrukcji zmierzono zgodnie ze standardową metodą badania wg EN 62841 i można ją wykorzystać do porównania narzędzia z innym narzędziem. Można go wykorzystać przy wstępnej ocenie narażenia.

Deklarowany poziom emisji drgań i hałasu reprezentuje główne zastosowania narzędzia. Jeśli jednak narzędzie jest używane do różnych zastosowań, z różnymi akcesoriami lub w przypadku nieprawidłowej konserwacji, emisja drgań i hałasu może się różnić. Może to znacznie zwiększyć poziom narażenia w całym okresie eksploatacji narzędzia.

Oszacowanie poziomu narażenia na wibracje i hałas powinno również uwzględniać czasy, kiedy narzędzie jest wyłączone lub kiedy jest włączone, ale nie pracuje. Może to znacznie obniżyć poziom ekspozycji w całym okresie eksploatacji narzędzia.

Należy zidentyfikować dodatkowe środki bezpieczeństwa w celu ochrony operatora przed skutkami wibracji i/lub hałasu, takie jak: utrzymywanie narzędzia i akcesoriów w nienagannym stanie, utrzymywanie ciepła rąk, organizacja pracy.

**FIGYELMEZTETÉS! Olvassa el az elektromos kéziszerszámra vonatkozó összes biztonsági útmutatást, utasítást, ábrát és specifikációt. A következőkben leírt utasítások betartásának elmulasztása áramütésekhez, tűzözés és/vagy súlyos testi sérülésekhez vezethet.**

### WSKAZÓWKI BEZPIECZEŃSTWA DLA KLUCZ UDAROWY

**Trzymaj urządzenie za izolowane powierzchnie chwytowe, gdy wykonujesz roboty, w trakcie których śruba może natrafić na ukryte przewody prądowe.** Kontakt śruby z przewodem pod napięciem może spowodować podłączenie części metalowych urządzenia do napięcia i prowadzić do porażenia prądem elektrycznym.

**Stosować środki ochrony słuchu!** Narażenie na hałas może spowodować utratę słuchu.

### DODATKOWE WSKAZÓWKI BEZPIECZEŃSTWA I INSTRUKCJE ROBOCZE

Stosować wyposażenie ochronne. Przy pracy maszyną zawsze nosić okulary ochronne. Zalecana jest odzież ochronna, jak maska pyłochronna, rękawice ochronne, mocne i chroniące przed poślizgiem obuwie, kask i ochronniki słuchu.

Kurz powstający przy pracy z tym elektronarzędziem może być szkodliwy dla zdrowia, w związku z tym nie powinien dotrzeć do ciała. Nosić odpowiednią maskę przeciwpyłową.

Nie wolno obrabiać materiałów, które mogą być przyczyną zagrożenia zdrowia (na przykład azbestu).

W przypadku zablokowania narzędzia nasazanego należy natychmiast wyłączyć urządzenie! Nie należy ponownie włączyć urządzenia tak długo, jak długo narzędzie nasadzone jest zablokowane: przy tym mogłyby powstać odrzut zwrotny o dużym momencie reakcyjnym. Należy wykryć i usunąć przyczynę zablokowania narzędzia nasazanego uwzględniając wskazówki dotyczące bezpieczeństwa.

Możliwymi przyczynami tego mogą być:

- Skośne ustawienie się w poddawanym obróbce przedmiocie obrabianym

- Przerwanie materiału poddawanego obróbce
- Przeciążenie narzędzia elektrycznego

Nie należy sięgać do wnętrza maszyny będącej w ruchu.

Narzędzie nasadzane może w trakcie użytkowania stać się gorące.

- OSTRZEŻENIE!** Niebezpieczeństwo oparzenia się
- przy wymianie narzędzia
  - przy odstawianiu urządzenia

Podczas pracy elektronarzędzia nie wolno usuwać trocin ani drzażg.

Podczas pracy przy ścianach, sufitach i podłodze należy uważać na kable elektryczne, przewody gazowe i wodociągowe.

Należy zabezpieczyć przedmiot poddawany obróbce za pomocą urządzenia mocującego. Niezabezpieczone przedmioty poddawane obróbce mogą spowodować ciężkie obrażenia ciała i uszkodzenia.

Przed przystąpieniem do jakichkolwiek prac na elektronarzędziu należy wyjąć wkładkę akumulatorową.

Zużytych akumulatorów nie wolno wrzucać do ognia ani traktować jako odpadów domowych. Milwaukee oferuje ekologiczną utylizację zużytych akumulatorów.

Nie przechowywać akumulatorów wraz z przedmiotami metalowymi (niebezpieczeństwo zwarcia).

Akumulatory Systemu M12 należy ładować wyłącznie przy pomocy ładowarek Systemu M12. Nie ładować przy pomocy tych ładowarek akumulatorów innych systemów.

Nie otwierać wkładek akumulatorowych i ładowarek. Przechowywać w suchych pomieszczeniach. Chronić przed wilgocią.

W skrajnych warunkach temperaturowych lub przy bardzo dużym obciążeniu może dochodzić do wycieku kwasu akumulatorowego z uszkodzonych baterii akumulatorowych. W przypadku kontaktu z kwasem akumulatorowym należy natychmiast przemyć miejsce kontaktu wodą z mydłem. W przypadku kontaktu z oczami należy dokładnie przepłukiwać oczy przynajmniej przez 10 minut i zwrócić się natychmiast o pomoc medyczną.

**Ostrzeżenie!** Aby uniknąć niebezpieczeństwa pożaru, obrażeń lub uszkodzeń produktu na skutek zwarcia, nie wolno zanurzać narzędzia,

akumulatora wymiennego ani ładowarki w cieczach i należy zatroszczyć się o to, aby do urządzeń i akumulatorów nie dostały się żadne cieczce. Zwarcie spowodować mogą korodujące lub przewodzące cieczce, takie jak woda morską, określone chemikalia i wybielacze lub produkty zawierające wybielacze.

### WARUNKI UŻYTKOWANIA

Wkrętarka akumulatorowa przemysłowa o uniwersalnym zastosowaniu do przykręcania i odkręcania śrub i nakrętek, nie wymagająca przyłącza sieciowego.

Produkt można użytkować wyłącznie zgodnie z jego normalnym przeznaczeniem.

### DEKLARACJA ZGODNOŚCI CE

Jako producent oświadczamy na naszą wyłączną odpowiedzialność, że produkt opisany w punkcie „Dane techniczne” jest zgodny ze wszystkimi istotnymi przepisami Dyrektywy 2011/65/EU (RoHS), 2001/4/UE, 2006/42/WE oraz z następującymi zharmonizowanymi dokumentami normatywnymi:

EN 62841-1:2015  
EN 62841-2-2:2014  
EN 55014-1:2017+A11:2020  
EN 55014-2:2015  
EN IEC 63000:2018

Winnenden, 2020-12-02



Alexander Krug  
Managing Director



Upelnomocniony do zestawienia danych technicznych

Techronic Industries GmbH  
Max-Eyth-Straße 10  
71364 Winnenden  
Germany

### BATERIE AKUMULATOROWE

Akumulatory, które nie były przez dłuższy czas użytkowane, należy przed użyciem naładować.

W temperaturze powyżej 50°C następuje spadek osiągniętych wkladki akumulatorowej. Unikaj długotrwałego wystawienia na oddziaływanie ciepła lub promieni słonecznych (niebezpieczeństwo przegrzania).

Styki ładowarek i wkładek akumulatorowych należy utrzymywać w czystości

W celu zagwarantowania optymalnej żywotności należy po zakończonej eksploatacji naładować akumulatory do pełna.

Dla zapewnienia możliwie długiej żywotności akumulatory należy wyjąć z ładowarki po ich naładowaniu.

W przypadku składowania akumulatorów dłużej niż 30 dni: Przechowywać je w suchym miejscu w temperaturze ok. 27°C. Przechowywać je w stanie naładowanym do ok. 30% - 50%. Ładować je ponownie co 6 miesięcy.

### AZ AKKUMULÁTOR TÚLTERHELÉS ELLENI VÉDELME

Przy przecięciu akumulatora bardzo dużym prądem na przykład wskutek ekstremalnie dużych momentów obrotowych, zakleszczenia wiertła, nagłego zatrzymania się lub zwarcia narzędzie elektryczne "buczy" przez 2 sekundy i samoczynnie wyłącza się. W celu ponownego włączenia należy zwolnić, a następnie ponownie włączyć przycisk wyłącznika. Pod ekstremalnymi obciążeniami może dojść do silnego nagrzania się akumulatora. W takim wypadku akumulator wyłącza się. Wówczas należy wetknąć akumulator do ładowarki, aby go ponownie naładować i aktywować.

### TRANSPORT AKUMULATORÓW LITOWO-JONOWYCH

Akumulatory litowo-jonowe podlegają ustawowym przepisom dotyczącym transportu towarów niebezpiecznych.

Transport tych akumulatorów winien odbywać się przy przestrzeganiu lokalnych, krajowych i międzynarodowych rozporządzeń i przepisów.

- Odbiorcom nie wolno transportować tych akumulatorów po drogach ok tak po prostu.
- Komercyjny transport akumulatorów litowo-jonowych przez przedsiębiorstwa spedycyjne podlega przepisom dotyczącym transportu towarów niebezpiecznych. Przygotowania do wysyłki oraz transport mogą być wykonywane wyłącznie przez odpowiednio przeszkolone osoby. Cały proces winien odbywać się pod fachowym nadzorem.

W czasie transportu akumulatorów należy przestrzegać następujących punktów:

- Celem uniknięcia zwarcia należy upewnić się, że zestyki są zabezpieczone i zaizolowane.
- Zwracać uwagę na to, aby zespół akumulatorów nie mógł się przemieszczać we wnętrzu opakowania.
- Nie wolno transportować akumulatorów uszkodzonych lub z wyciekającym z elektrolitem.

Odnośnie dalszych wskazówek należy zwrócić się do swojego przedsiębiorstwa spedycyjnego.

### UTRZYMANIE I KONSERWACJA

Używać tylko i wyłącznie wyposażenia dodatkowego Milwaukee i części podając typ maszyny oraz sześciocyfrowy numer na tabliczce znamionowej w Punkcie Obsługi Klienta lub bezpośrednio w firmie Technronic Industries GmbH, Max-Eyth-Straße 10, 71364 Winnenden, Germany.

W razie potrzeby można zamówić rysunek urządzenia w rozłożeniu na części podając typ maszyny oraz sześciocyfrowy numer na tabliczce znamionowej w Punkcie Obsługi Klienta lub bezpośrednio w firmie Technronic Industries GmbH, Max-Eyth-Straße 10, 71364 Winnenden, Germany.

### SYMBOLE



UWAGA! OSTRZEŻENIE NIEBEZPIECZEŃSTWO!



Przed przystąpieniem do jakichkolwiek prac na elektronarzędziu należy wyjąć wkładkę akumulatorową.



Przed uruchomieniem elektronarzędzia zapoznać się uważnie z treścią instrukcji.



Urządzenia elektryczne, baterie/akumulatory nie mogą być usuwane razem z odpadami pochodzącymi z gospodarstw domowych. Urządzenia elektryczne i akumulatory należy gromadzić oddzielnie i w celu usuwania ich do odpadów zgodnie z wymaganiami środowiska naturalnego oddawać do przedsiębiorstwa utylizacyjnego.

Proszę zasięgnąć informacji o centrach recyklingowych i punktach zbiorczych u władz lokalnych lub u wyspecjalizowanego dostawcy.



Europejski Certyfikat Zgodności



Brytyjski Certyfikat Zgodności



Ukraiński Certyfikat Zgodności



Euroazjatycki Certyfikat Zgodności



MŰSZAKI ADATOK	AKKUMULÁTOROS IPARI CSAVARBEHATÓ	M12 FIR14LR	M12 FIR38LR
Gyártási szám.....	4811 34 01.....	4811 30 01...	4811 30 01...
Bitbefogás.....	...000001-999999	...000001-999999	...000001-999999
Üresjárat fordulatszám.....	1/4" (6,35 mm).....	3/8" (9,5 mm)	3/8" (9,5 mm)
Forgatónyomaték.....	0-250 min <sup>-1</sup> .....	0-200 min <sup>-1</sup>	0-200 min <sup>-1</sup>
Akkumulátor feszültség.....	54 Nm.....	75 Nm	75 Nm
Súly a 01/2014 EPTA-eljárás szerint. (2,0 Ah ... 6,0 Ah).....	12 V.....	12 V	12 V
Ajánlott környezeti hőmérséklet munkavégzésnél.....	1,13 kg ... 1,3 kg.....	1,4 kg ... 1,6 kg	1,4 kg ... 1,6 kg
Ajánlott akkutípusok.....	-18°C ... +50°C	-18°C ... +50°C	-18°C ... +50°C
Ajánlott töltőkészülékek.....	M12B.....	M12B.....	M12B.....
	C12C, M12C4, M12-18...	C12C, M12C4, M12-18...	C12C, M12C4, M12-18...

### Zaj-/Vibráció-információ

A közölt értékek megfelelnek az EN 62841 szabványnak.

A készülék munkahelyi zajszintje tipikusan:

Hangnyomás szint (K bizonytalanság=3dB(A))..... 79,99 dB (A)..... 81,95 dB (A)

Hangteljesítmény szint (K bizonytalanság=3dB(A))..... 90,99 dB (A)..... 92,95 dB (A)

### Hallásvédő eszköz használata ajánlott!

Összesített rezgésértékek (három irány vektorális összege) az EN

62841-nek megfelelően meghatározva.

a<sub>n</sub> rezgésemisszió érték

Maximális méretű csavarok és anyák meghúzása..... 1,44 m/s<sup>2</sup>..... 2,64 m/s<sup>2</sup>

K = bizonytalanság..... 1,5 m/s<sup>2</sup>..... 1,5 m/s<sup>2</sup>

### FIGYELMEZTETÉS

Az adatlapon feltüntetett rezgés- és zajkibocsátási szint mérésére az EN 62841 szabványos vizsgálati módszere alapján került sor, és a kapott értékek az egyes szerszámok összehasonlítására használhatók. Az értékek az expozíció előzetes értékelésében használhatók.

A feltüntetett rezgés- és zajkibocsátási szint a szerszám főbb alkalmazásait tükrözi. Mindazonáltal, ha a szerszámot különböző alkalmazásokra, eltérő tartozékokkal használják, illetve a szerszám nincs megfelelően karbantartva, a rezgés- és zajkibocsátási szint eltérő lehet. Ez jelentősen növelheti az expozíciós szintet a teljes munkafolyamat során.

A rezgésnek és zajnak való expozíció becsült szintjét is figyelembe kell venni a szerszám kikapcsolásakor, illetve olyankor, ha a szerszám üzemel, de valójában nem történik vele munkavégzés. Ez jelentősen csökkentheti az expozíciós szintet a teljes munkafolyamat során.

Határozzon meg további biztonsági intézkedéseket, hogy védje a kezelőt a rezgés- és/vagy zajhatásoktól. Ilyen intézkedések pl.: a szerszámok és tartozékok karbantartása, a kéz melegen tartása, munkarend-szervezés.

**▲ FIGYELMEZTETÉS!** Olvassa el az elektromos kéziszerszámra vonatkozó összes biztonsági útmutatást, utasítást, ábrát és specifikációt. A következőkben leírt utasítások betartásának elmulasztása áramütésekhez, tűzhoz és/vagy súlyos testi sérülésekhez vezethet.

### ▲ BIZTONSÁGI ÚTMUTATÁSOK CSAVAROZÓGÉPEKHEZ

Olyan munkák végzésekor, melyeknél a csavar rejtett áramvezetékeket érhet, a szigetelt markolati felületeknél tartsa a készüléket. A csavar feszültségvezető vezetékkel érintkezve fém alkatrészeket helyezhet feszültség alá, és elektromos áramütést idézhet elő.

Viseljen hallásvédőt. A zajhatás a hallás elvesztését eredményezheti.

### TOVÁBBI BIZTONSÁGI ÉS MUNKAVÉGZÉSI UTASÍTÁSOK

Használjon védőfelszerelést! Ha a gépen dolgozik, mindig hordjon védőszemüveget! Javasoljuk a védőruházat, úgymint porvédő maszk, védőcipő, erős és csúszásbiztos lábbeli, sisak és hallásvédő használatát.

A munka során keletkező por gyakran egészségre káros, ezért ne kerüljön a szervezetbe

Hordjon e célra alkalmas porvédőmaszkot.

Nem szabad olyan anyagokat megmunkálni, amelyek egészségre veszélyesek (pl. azbesztet).

A betétszerszám elakadásakor azonnal ki kell kapcsolni a készüléket! Addig ne kapcsolja vissza a készüléket, amíg a betétszerszám elakadása fennáll; ennek során nagy ellennyomatékú visszarúgás történhet. Határozza és szüntesse meg a betétszerszám elakadásának okát a biztonsági útmutatások betartása mellett.

Ennek következők lehetnek az okai:

- a szerszám elakad a megmunkálandó munkadarabban
- a megmunkálandó anyag átszakad
- az elektromos szerszám túlterhelése

Ne nyúljon a járó gépbe.

### RENDELTESSZERŰ HASZNÁLAT

Az akkumulátoros ipari csavarbehajtó hálózati csatlakozástól függetlenül univerzálisan használható csavarok és anyák meghúzására és kioldására.

A készüléket kizárólag az alábbiakban leírtaknak megfelelően szabad használni.

### CE-AZONOSSÁGI NYILATKOZAT

Gyártóként egyedüli felelősséggel kijelentjük, hogy a „Műszaki Adatok” alatt leírt termék a 2011/65/EK (RoHS), 2014/30/EU, 2006/42/EK irányelvek minden releváns előírásának, ill. az alábbi harmonizált normatív dokumentumoknak megfelel:

EN 62841-1:2015

EN 62841-2-2:2014

EN 55014-1:2017+A11:2020

EN 55014-2:2015

EN IEC 63000:2018

Winnenden, 2020-12-02

*Alexander Krug*

Alexander Krug  
Managing Director



Műszaki dokumentáció összeállításra felhatalmazva

Techtronic Industries GmbH

Max-Eyth-Straße 10

71364 Winnenden

Germany

### AKKUK

A hosszabb ideig üzemben kívül lévő akkumulátort használat előtt ismételen fel kell tölteni.

50°C feletti hőmérsékletnél csökkenhet az akkumulátor teljesítménye. Kerülni kell a túlzottan meleg helyen vagy napon történő hosszabb idejű tárolást.

A töltő és az akkumulátor csatlakozóit mindig tisztán kell tartani.

Az optimális élettartam érdekében használat után az akkukat teljesen fel kell tölteni.

A lehetőleg hosszú élettartamhoz az akkukat feltöltés után ki kell venni a töltőkészülékből.

Az akku 30 napot meghaladó tárolása esetén:

Az akkut kb. 27 °C-on, száraz helyen kell tárolni.

Az akkut kb. 30-50%-os töltöttségi állapotban kell tárolni.

Az akkut 6 havonta újra fel kell tölteni.

### AZ AKKUMULÁTOR TÚLTERHELÉS ELLENI VÉDELME

Az akku túl magas áramfogyasztás miatti, pl. túl nagy forgatónyomatékok, a fűró megszorulása, hirtelen leállás következtében fellépő túlterhelése esetén az elektromos szerszám 2 másodpercig zűg, és önműködően lekapcsol.

Az újbóli bekapcsoláshoz el kell engedni a kapcsolóbillentyűt, majd ismét be kell kapcsolni.

Extrém mértékű terhelés esetén az akku erősen felforrósodhat.

Ebben az esetben az akku lekapcsol.

Az ismételt feltöltéshez és aktiváláshoz ekkor dugja az akkut a töltőkészülékbe.

### LÍTIUM-ION AKKUK SZÁLLÍTÁSA

A lítium-ion akkuk a veszélyes áruk szállítására vonatkozó törvényi rendelkezések hatálya alá tartoznak.

Az ilyen akkuk szállításának a helyi, országos és nemzetközi előírások és rendelkezések betartása mellett kell történnie.

- A fogyasztók minden további nélkül szállíthatják az ilyen akkukat közvetlenül.
- A lítium-ion akkuk szállítványozási vállalatok általi kereskedelmi célú szállítására a veszélyes áruk szállítására vonatkozó rendelkezések érvényesek. A kiszállítás előkészítését és a szállítást kizárólag megfelelő képzettségű személyek végezhetik. A teljes folyamatnak szakmai felügyelet alatt kell történnie.

A következő pontokat kell figyelembe venni akkuk szállításakor:

- Biztosítsa, hogy a rövidzárlatok elkerülése érdekében az érintkezők védve és szigetelve legyenek.
- Ügyeljen arra, hogy az akkucsomag ne tudjon elcsúszni a csomagoláson belül.
- Tilos sérült vagy kifolyt akkukat szállítani.

További útmutatásokért forduljon szállítványozási vállalatához.

### KARBANTARTÁS

Csak Milwaukee tartozékokat és Milwaukee pótalkatrészeket szabad használni. Az olyan elemeket, melyek cseréje nincs ismertetve, cseréltesse ki Milwaukee szervizzel (lásd Garancia/Ügyfélszolgálat címei kiadványt).

Igény esetén a készülékről robbantott rajz kérhető a géptípus és a teljesítménycímeként található hatjegyű szám megadásával az Ön bevásárlóhelyénél, vagy közvetlenül a Techtronic Industries GmbH-től a Max-Eyth-Straße 10, 71364 Winnenden, Németország címen.

### SZIMBÓLUMOK

	FIGYELEM! FIGYELMEZTETÉSI VESZÉLY!
	Karbantartás, javítás, tisztítás, stb. előtt az akkumulátort ki kell venni a készülékből.
	Kérjük alaposan olvassa el a tájékoztatót mielőtt a gépet használja.
	Az elektromos eszközöket, elemeket/akkukat nem szabad a háztartási hulladékkal együtt ártalmatlanítani.
	Az elektromos eszközöket és akkukat szelektíven kell gyűjteni, és azokat környezetbarát ártalmatlanítás céljából hulladékhaznosító üzemben kell leadni.
	A helyi hatóságoknál vagy szakkereskedőjénél tájékozódjon a hulladékudvarokról és gyűjtőhelyekről.
	Európai megfelelőségi jelölés
	Egyesült királyságbeli megfelelőségi jelölés
	Ukrán megfelelőségi jelölés
	Eurázsiai megfelelőségi jelölés

TEHNIČNI PODATKI	AKUMULATORSKI INDUSTRIJSKI VIJAČNIK	M12 FIR14LR	M12 FIR38LR
Proizvodna številka.....		4811 34 01...	4811 30 01...
		...000001-999999	...000001-999999
Sprejem orodja .....		1/4" (6,35 mm).....	3/8" (9,5 mm)
Število vrtljajev v prostem teku .....		0-250 min <sup>-1</sup> .....	0-200 min <sup>-1</sup>
Vrtljni moment.....		54 Nm .....	75 Nm
Napetost izmenljivega akumulatorja .....		12 V .....	12 V
Teža po EPTA-proceduri 01/2014 (2,0 Ah ... 6,0 Ah).....		1,13 kg ... 1,3 kg .....	1,4 kg ... 1,6 kg
Priporočena temperatura okolice pri delu .....		-18°C ... +50°C .....	
Priporočene vrste akumulatorskih baterij .....		M12B .....	
Priporočeni polnilniki.....		C12C, M12C4, M12-18...	

### Informacije o hrupnosti/vibracijah

Vrednosti merjenja ugotovljene ustrezno z EN 62841.

Raven hrupnosti naprave ovrednotena z A, znaša tipično:

Nivo zvočnega tlaka (Nevarnost K=3dB(A))..... 79,99 dB (A)..... 81,95 dB (A)

Višina zvočnega tlaka (Nevarnost K=3dB(A))..... 90,99 dB (A)..... 92,95 dB (A)

### Nosite zaščito za sluh!

Skupna vibracijska vrednost (Vektorska vsota treh smeri) določena ustrezno EN 62841.

Vibracijska vrednost emisij a<sub>w</sub>:

Privijanje vijakov in matic maksimalne velikosti ..... 1,44 m/s<sup>2</sup> ..... 2,64 m/s<sup>2</sup>

Nevarnost K = ..... 1,5 m/s<sup>2</sup> ..... 1,5 m/s<sup>2</sup>

### OPOZORILO

Raven vibracij in hrupa, navedena v tem informativnem listu, je bila izmerjena v skladu s standardiziranim preskusom iz EN 62841 in jo je mogoče uporabljati za primerjavo orodij med seboj. Mogoče jo je tudi uporabiti za predhodno oceno izpostavljenosti.

Navedena raven vibracij in hrupa predstavlja glavno uporabo orodja. Če pa se orodje uporablja za različne namene, z različnimi dodatki ali slabo vzdrževano, se lahko vibracije in hrup razlikujejo. To lahko znatno poveča raven izpostavljenosti v celotnem delovnem obdobju.

Pri oceni ravni izpostavljenosti vibracijam in hrupu je treba upoštevati tudi čas, ko je orodje izklopljeno ali ko teče, vendar dejansko ne opravlja dela. To lahko bistveno zmanjša raven izpostavljenosti v celotnem delovnem obdobju.

Ugotovite dodatne varnostne ukrepe za zaščito upravljavca pred učinki vibracij in/ali hrupa, kot so: vzdrževanje orodja in dodatkov, tople roke, organizacija delovnih vzorcev.

**⚠ OPOZORILO! Preberite vsa varnostna opozorila in navodila, prikaze in specifikacije tega električnega orodja.** Zakasnelo upoštevanje sledečih navodil lahko povzroči električni udar, požar in/ali težke poškodbe.

### ⚠ VARNOSTNI NAPOTKI ZA UDARNI VIJAČNIKI

**Kadar izvajate dela pri katerih lahko sveder zadane v prikrite električne vode, držite napravo za izolirane prijemalne površine.** Stik svedra z električnim vodnikom lahko kovinske deli naprave spravi pod napetost in vodi do električnega udara.

**Nosite zaščito za sluh.** Razvijanje hrupa lahko povzroči izgubo sluha.

### NADALJNA VARNOSTNA IN DELOVNA OPOZORILO

Uporabite zaščitno opremo. Pri delu s strojem vedno nosite zaščitna očala. Priporočajo se zaščitna oblačila, kot npr. maska za zaščito proti prahu, zaščitne rokavice, trdno in nedrseče obuvalo, čelada in zaščita za sluh.

Prah, ki nastaja pri delu, je pogosto zdravju škodljiv in naj ne zaide v telo. Nosite ustrezno masko proti prahu.

Obdelava materialov, iz katerih izhaja ogroženost zdravja (npr. azbest), ni dovoljena.

V primeru blokade orodja napravo takoj izklopite! Naprave ponovno ne vklaplajte dokler je orodje blokirano; pri tem bi lahko prišlo do povratnega udara z velikim reakcijskim momentom. Ugotovite in odpravite vzroke blokade orodja ob upoštevanju varnostnih navodil.

Možni razlogi so lahko:

- Zagozditev v obdelovancu
- prežganje obdelovanega materiala
- Preobremenitev električnega orodja

Ne segajte v stroj v teku.

Orodje lahko med uporabo postane vroče.

**OPOZORILO!** Nevarnost opeklin

- pri menjavi orodja
- pri odlaganju naprave

Trske ali iveri se pri tekočem stroju ne smejo odstranjovati.

Pri delih na steni, stropu ali v tleh pazite na električne kable, plinske in vodne napeljave.

Obdelovanec zavarujte z vpenjalno pripravo. Nezavarovani obdelovanci lahko povzročijo težke poškodbe in okvare.

Pred vsemi deli na stroji odstranite izmenljivi akumulator.

Izrabljenih izmenljivih akumulatorjev ne mečite v ogenj ali v gospodinjске odpadke. Milwaukee nudi okolju prijazno odlaganje starih izmenljivih akumulatorjev; prosimo povprašajte vašega strokovnega trgovca.

Izmenljivih akumulatorjev ne hranite skupaj s kovinskimi predmeti (nevarnost kratkega stika).

Izmenljive akumulatorje sistema v polnite samo s polnilnimi aparati sistema M12. Ne polnite nobenih akumulatorjev iz drugih sistemov.

Izmenljivih akumulatorjev in polnilnih aparatov ne odpirajte in jih hranite samo v suhih prostorih. Zaščitite jih pred mokroto.

Pod ekstremno obremenitvijo ali ob ekstremni temperaturi iz poškodovanega izmenljivega akumulatorja lahko izteka akumulatorska tekočina. Po stiku z akumulatorsko tekočino prizadeto mesto takoj izperite z vodo in milom. Po stiku z očmi takoj najmanj 10 minut dolgo temeljito izpirajte in nemudoma obiščite zdravnika.

**Opozorilo!** V izogib, s kratkim stikom povzročene nevarnosti požara, poškodb ali okvar na proizvodu, orodja, izmenljivega akumulatorja ali polnilne naprave ne potaplajte v tekočine in poskrbite, da ne bo prihajalo do vdora tekočin v naprave in akumulatorje. Korozivne ali prevodne tekočine, kot so slana voda, določene kemikalije in belila ali proizvodi, ki le ta vsebujejo, lahko povzročijo kratek stik.

### UPORABA V SKLADU Z NAMEMBNOSTJO

Akumulatorski industrijski vijaknik je univerzalno uporaben za od omrežnega priključka neodvisno pritrjevanje in sproščanje vijakov in matic.

Ta naprava se sme uporabiti samo v skladu z namembnostjo uporabiti samo za navede namene.

### CE-IZJAVA O KONFORMNOSTI

Kot proizvajalec izjavljamo na svojo izključno odgovornost, da je izdelek, opisan pod »Tehnični podatki«, v skladu z vsemi ustreznimi predpisi direktiv 2011/65/EU (RoHS), 2014/30/EU, 2006/42/EG in naslednjimi usklajenimi normativnimi dokumenti:

EN 62841-1:2015  
EN 62841-2-2:2014  
EN 55014-1:2017+A11:2020  
EN 55014-2:2015  
EN IEC 63000:2018

Winnenden, 2020-12-02

*Alexander Krug*

Alexander Krug  
Managing Director

Pooblaščen za izdelavo spisov tehnične dokumentacije.

Techtronic Industries GmbH

Max-Eyth-Straße 10

71364 Winnenden

Germany



### AKUMULATORJI

Izmenljive akumulatorje, ki jih daljši čas niste uporabljali, pred uporabo naknadno napolnite.

Temperatura nad 50°C zmanjšuje zmogljivost izmenljivega akumulatorja. Izogibajte se daljšemu segrevanju zaradi sončnih žarkov ali gretja.

Pazite, da ostanejo priključni kontakti na polnilnem aparatu in izmenljivem akumulatorju čisti.

Za optimalno življenjsko dobo je akumulatorje potrebno po uporabi napolniti do konca.

Za čim daljšo življenjsko dobo naj se akumulatorji po napolnitvi vzamejo ven iz naprave za polnjenje.

Pri skladiščenju akumulatorjev dalj kot 30 dni:

Akumulator skladiščiti pri 27°C in na suhem.

Akumulator skladiščiti pri 30%-50% stanja polnjenja.

Akumulator spet napolniti vsakih 6 mesecev.

### ZAŠČITA PREOBREMENITVE AKUMULATORJA

V primeru preobremenitve akumulatorjev zaradi zelo visoke porabe toka, npr. ekstremno visokih vrtilnih momentov, zatika svedra, nenadne zaustavitve ali kratkega stika, električno orodje 2 sekundi brni in se samodejno izklopi.

Za ponoven vklop izpustite tipko stikala in nato znova vklopite.

Pod ekstremnimi obremenitvami se lahko akumulator močno segreje. V tem primeru se akumulator izklopi.

Za ponovno polnitev in aktiviranje akumulatorja ga je potrebno vstaviti v polnillec.

### TRANSPORT LITIJI-IONSkih AKUMULATORJEV

Litij-ionski akumulatorji so podvrženi zakonskim določbam transporta nevarnih snovi.

Transport teh akumulatorjev se mora izvajati upoštevajoč lokalne, nacionalne in mednarodne predpise in določbe.

- Potrošniki lahko te akumulatorje še nadalje transportirajo po cesti.
- Komercialni transport litij-ionskih akumulatorjev s strani špediterskih podjetij je podvržen določbam transporta nevarnih snovi. Priprava odpreme in transporta se lahko vrši izključno s strani ustrezno izšolanih oseb. Celoten proces je potrebno strokovno spremljati.

Pri transportu akumulatorjev je potrebno upoštevati sledeče točke:

- V izogib kratkim stikom zagotovite, da bodo kontakti zaščiteni in izolirani.
- Bodite pozorni na to, da paket akumulatorja v notranjosti embalaže ne bo mogel zdrsniti.
- Poškodovanih ali iztekajočih akumulatorjev ni dovoljeno transportirati.

Za nadaljnja navodila se obrnite na vaše špeditersko podjetje.

### VZDRŽEVANJE

Uporabljajte samo Milwaukee pribor in Milwaukee nadomestne dele. Poskrbite, da sestavne dele, katerih zamenjava ni opisana, zamenjajo v Milwaukee servisni službi (upoštevajte brošuro Garancija/Naslovi servisnih služb).

Po potrebi je mogoče pri vašem servisnem mestu ali neposredno pri Techtronic Industries GmbH, Max-Eyth-Straße 10, 71364 Winnenden, Germany, naročiti eksplozijsko risbo naprave ob navedbi tipa stroja in na tablici navedene šestmestne številke.

### SIMBOLI

	POZOR! OPOZORILO! NEVARNO!
	Pred vsemi deli na stroji odstranite izmenljivi akumulator.
	Prosimo, da pred uporabo pazljivo preberete to navodilo za uporabo.
	Električnih naprav, baterij/akumulatorjev ni dovoljeno odstranjevati skupaj z gospodinjскими odpadki. Električne naprave in akumulatorje je potrebno zbirati ločeno in za okolju prijazno odstranitev, oddati podjetju za reciklažo. Pri krajevnem uradu ali vašem strokovnem prodajalcu se pozanimajte glede reciklažnih dvorišč in zbirnih mest.
	Evropska oznaka za združljivost
	Britanska oznaka za združljivost
	Ukrajinska oznaka za združljivost
	Evrazijska oznaka za združljivost

TEHNIČKI PODACI	AKUMULATORSKI INDUSTRIJSKI ODVIJAČ	M12 FIR14LR	M12 FIR38LR
Broj proizvodnje.....		4811 34 01.....	4811 30 01.....
		...000001-999999	...000001-999999
Priključivanje alata.....		1/4" (6,35 mm).....	3/8" (9,5 mm)
Broj okretaja praznog hoda.....		0-250 min <sup>-1</sup> .....	0-200 min <sup>-1</sup>
Okretni moment.....		54 Nm.....	75 Nm
Napon baterije za zamjenu.....		12 V.....	12 V
Težina po EPTA-proceduri 01/2014 (2,0 Ah ... 6,0 Ah).....		1,13 kg ... 1,3 kg.....	1,4 kg ... 1,6 kg
Preporučena temperatura okoline kod rada.....		-18°C ... +50°C	
Preporučeni tipovi akumulatora.....		M12B.....	
Preporučeni punjači.....		C12C, M12C4, M12-18...	

#### Informacije o buci/vibracijama

Mjerne vrijednosti utvrđene odgovarajuće EN 62841.

A-ocijenjeni nivo buke aparata iznosi tipično:

Nivo pritiska zvuka (Nesigurnost K=3dB(A))..... 79,99 dB (A)..... 81,95 dB (A)

Nivo učinka zvuka (Nesigurnost K=3dB(A))..... 90,99 dB (A)..... 92,95 dB (A)

#### Nositi zaštitu sluha!

Ukupne vrijednosti vibracije (Vektor suma tri smjera) su odmjerene odgovarajuće EN 62841

Vrijednost emisije vibracije a<sub>w</sub>

Stezanje vijaka i matica maksimalne veličine..... 1,44 m/s<sup>2</sup>..... 2,64 m/s<sup>2</sup>

Nesigurnost K =..... 1,5 m/s<sup>2</sup>..... 1,5 m/s<sup>2</sup>

#### UPOZORENIE

Razine emisije vibracija i buke navedena u ovom informacijskom listu izmjerene su u skladu sa standardiziranim ispitom koji propisuje EN 62841 i mogu se upotrebljavati za međusobnu usporedbu alata. Također se mogu upotrebljavati za prethodnu procjenu izloženosti.

Navedene razine emisija vibracija i buke predstavljaju glavnu svrhu primjene alata. Međutim, ako se alat upotrebljava u druge svrhe, s drugim priborom ili se ne održava dovoljno, emisije vibracija i buke mogu biti drukčije. To može značajno povećati razinu izloženosti tijekom cjelokupna razdoblja rada.

Procjena razine izloženosti vibracijama i buci također bi u obzir trebala uzeti razdoblja tijekom kojih je alat isključen ili kada je uključen, no njime se ne obavlja nikakav rad. Time se značajno može smanjiti razina izloženosti tijekom cjelokupna razdoblja rada.

Utvrđite dodatne sigurnosne mjere kako biste zaštitili rukovatelja od ovih učinaka vibracija i/ili buke, primjerice: održavanje alata i pribora, osiguravanje da ruke budu tople, organizacija obrazaca rada.

**⚠ UPOZORENIE! Treba pročitati sve napomene o sigurnosti, upute, prikaze i specifikacije za ovaj električni alat.** Propusti kod pridržavanja sljedećih uputa može uzrokovati strujni udar, požar i/ili teške ozljede.

#### ⚠ SIGURNOSNE UPUTE ZA UDARNI IZVIJAČ

**Držite spravu na izoliranim držačkim površinama kada izvodite radove kod kojih rezački alat može pogoditi skrivene vodove struje.** Kontakt rezačkog alata sa vodovima koji sprovode napon može metalne dijelove sprave dovesti pod napon i tako dovesti do električnog udara.

**Nosite zaštitu za sluh.** Djelovanje buke može dovesti do gubitka sluha.

#### OSTALE SIGURNOSNE I RADNE UPUTE

Upotrebljavati zaštitnu opremu. Kod radova sa strojem uvijek nositi zaštitne naočale. Preporučuje se zaštitna odjeća, kao zaštitna maska protiv prašine, zaštitne rukavice, čvrste i protiv klizanja sigurne cipele, šljem i zaštitu sluha.

Prašina koja nastaje prilikom rada je često nezdrava i ne bi smijela dospjeti u tijelo. Nositi prikladnu zaštitnu masku protiv prašine.

Ne smiju se obrađivati nikakvi materijali, od kojih prijeto opasnost po zdravlje (npr. azbest).

Kod blokiranja alata koji se upotrebljava uređaj molimo odmah isključiti! Uređaj nemojte ponovno uključiti za vrijeme dok je alat koji se upotrebljava blokiran; time može doći do povratnog udara sa visokim reakcijskim momentom. Pronađite i otklonite uzrok blokiranja alata koji se upotrebljava uz poštovanje sigurnosnih uputa.

Mogući uzroci tome mogu biti:

- Izobličavanje u izratku koji se obrađuje
- Probijanje materijala koji se obrađuje
- Preopterećenje električnog alata

Nemojte sezati u stroj koji radi.

Upotrebljeni alat se može za vrijeme korištenja zagrijati.

**UPOZORENIE!** Opasnost od opekotina

- kod promjene alata

- kod odlaganja uređaja

Piljevina ili iverje se za vrijeme rada stroja ne smiju odstranjivati.

Kod radova na zidu, stropu ili podu paziti na električne kablove kao i vodove plina i vode.

Osigurajte vaš izradak jednim steznom uređenjem. Neosigurani izradci mogu prouzročiti teške povrede i oštećenja.

Prije svih radova na stroju izvoditi bateriju za zamjenu.

Istrošene baterije za zamjenu ne bacati u vatru ili u kućno smeće. Milwaukee nudi mogućnost uklanjanja starih baterija odgovarajuće okolini. Milwaukee nudi mogućnost uklanjanja starih baterija odgovarajuće okolini; upitajte molimo Vašeg stručnog trgovca.

Baterije za zamjenu ne čuvati skupa sa metalnim predmetima (opasnost od kratkog spoja).

Baterije sistema M12 puniti samo sa uređajem za punjenje sistema M12. Ne puniti baterije iz drugih sistema.

Baterije za zamjenu i uređaje za punjenje ne otvarati i čuvati ih samo u suhim prostorijama. Čuvati protiv vlage.

Pod ekstremnim opterećenjem ili ekstremne temperature može iz oštećenih baterija iscuriti baterijska tekućina. Kod dodira sa baterijskom tekućinom odmah isprati sa vodom i sapunom. Kod kontakta sa očima odmah najmanje 10 minuta temeljno ispirati i odmah potražiti liječnika.

**Upozorenje!** Zbog izbjegavanja opasnosti od požara jednim kratkim spojnim, opasnost od ozljeda ili oštećenja proizvoda, alat, izmjenjivi akumulator ili napravu za punjenje ne uronjavati u tekućine i pobrinite se za to, da u uređaje ili akumulator ne prodiru nikakve tekućine. Korozirajuće ili vodljive tekućine kao slana voda, određene kemikalije i sredstva za bijeljenje ili proozvodi koji sadrže sredstva bijeljenja, mogu prouzročiti kratak spoj.

#### PROPIŠNA UPOTREBA

Akumulatorski industrijski odvičaj je univerzalno upotrebljiv za pričvršćenje i popuštanje vijaka i matica nezavisno o mrežnom priključku.

Ovaj aparat se smije upotrijebiti samo u određene svrhe kao što je navedeno.

#### CE-IZJAVA KONFORMNOSTI

Izjavljujemo kao proizvođač na osobnu odgovornost, da je proizvod, opisan pod "Tehnički podaci" sukladan sa svim relevantnim propisima smjernica 2011/65/EU (RoHS), 2014/30/EU, 2006/42/EG i sa sljedećim harmoniziranim normativnim dokumentima:

EN 62841-1:2015

EN 62841-2-2:2014

EN 55014-1-2017+A11:2020

EN 55014-2:2015

EN IEC 63000:2018

Winnenden, 2020-12-02

*Alexander Krug*

Alexander Krug  
Managing Director



Ovlašten za formiranje tehničke dokumentacije.

Techtronic Industries GmbH

Max-Eyth-Straße 10

71364 Winnenden

Germany

#### BATERIJE

Baterije koje duže vremena nisu korištene, prije upotrebe napuniti.

Temperatura od preko 50°C smanjuje učinak baterija. Duže zagrijavanje od strane sunca ili grijanja izbjeci.

Priključne kontakte na uređaju za punjenje i baterijama držati čistima.

Za optimalni vijek trajanja se akumulatori poslije upotrebe moraju sasvim napuniti.

Za što moguće duži vijek trajanja, akumulatori se nakon punjenja moraju odstraniti iz punjača.

Kod skladištenja akumulatora duže od 30 dana:

Akumulator skladištiti na suhom kod ca. 27°C.

Akumulator skladištiti kod ca. 30%-50% stanja punjenja.

Akumulator ponovno napuniti svakih 6 mjeseci.

#### ZAŠTITA OD PREOPTEREĆENJA AKUMULATORA

Kod preopterećenja akumulatora kroz visoku potrošnju struje, npr. ekstremno visoki okretni momenti, zaglavljenje svrdla, naglo zaustavljanje ili kratki spoj, elektroalat bruj 2 sekunde dugo i isključuje se samostalno.

Za ponovno uključivanje ispustiti otklopac prekidača i zatim ponovno uključiti.

Pod ekstremnim opterećenjima se akumulator može jako zagrijati. U ovom slučaju se akumulator isključuje.

Akumulator zatim utaknuti u punjač kako bi se ovaj ponovno napunio i zatim aktivirao.

#### TRANSPORT LITIJSKIH IONSKIH BATERIJA

Litijske-ionske baterije spadaju pod zakonske odredbe u svezi transporta opasne robe.

Prijevoz ovih baterija mora uslijediti uz poštivanje lokalnih, nacionalnih i internacionalnih propisa i odredaba.

- Korisnici mogu bez ustručavanja ove baterije transportirati po cestama.
- Komercijalni transport litijsko-ionskih baterija od strane transportnih poduzeća spada pod odredbe o transportu opasne robe. Otpremničke pripreme i transport smiju izvoditi isključivo odgovarajuće školovane osobe. Kompletni proces se mora pratiti na stručan način.

Kod transporta baterija se moraju poštivati sljedeće točke:

- Uvjerite se da su kontakti zaštićeni i izolirani kako bi se izbjegli kratki spojevi.
- Pazite na to, da blok baterija unutar pakiranja ne može proklizavati.
- Oštećene ili iscrpne baterije se ne smiju transportirati.

U svezi ostalih uputa obratite se vašem prijevoznom poduzeću.

#### ODRŽAVANJE

Primijeniti samo Milwaukee opremu i Milwaukee rezervne dijelove. Sastavne dijelove, čija zamjena nije opisana, dati zamijeniti kod jedne od Milwaukee servisnih službi (poštivati brošuru Garancija/ Adrese servisa).

Po potrebi se crtež pojedinih dijelova aparata uz navođenje podataka o tipu stroja i šestznamenastog broja na pločici snage može zatražiti kod vašeg servisa ili direktno kod Techtronic Industries GmbH, Max-Eyth-Straße 10, 71364 Winnenden, Njemačka.

#### SIMBOLI

	PAŽNJA! UPOZORENIE! OPASNOST!
	Prije svih radova na stroju izvoditi bateriju za zamjenu.
	Molimo da pažljivo pročitate uputu o upotrebi prije puštanja u rad.
	Elektrouređaji , baterije/akumulatori se ne smiju zbrinjavati skupa sa kućnim smećem. Električni uređaji akumulatori se moraju skupljati odvojeno i predati na zbrinjavanje primjereno okolišu jednom od pogona za iskorišćavanje. Raspitajte se kod mjesnih vlasti ili kod stručnog trgovca u svezi gospodarstva za recikliranje i mjesta skupljanja.
	Europski znak suglasnosti
	Britanski znak suglasnosti
	Ukrajinski znak suglasnosti
	Euroazijski znak suglasnosti



TEHNISKIE DATI	AR AKUMULATORU DARBINĀMS URBIS	M12 FIR14LR	M12 FIR38LR
Izlaides numurs	.....	4811 34 01.....	4811 30 01.....
Instrumentu stiprinājums	.....	0.00001-999999	0.00001-999999
Apgrīzieni tukšgaitā	.....	1/4" (6,35 mm).....	3/8" (9,5 mm)
Apgrīzes moments	.....	0-250 min <sup>-1</sup>	0-200 min <sup>-1</sup>
Akumulātoru spriegums	.....	54 Nm	75 Nm
Svars atbilstoši EPTA -Procedure 01/2014 (2,0 Ah ... 6,0 Ah)	.....	12 V	12 V
Leteicamā vides temperatūra darba laikā	.....	1,13 kg ... 1,3 kg	1,4 kg ... 1,6 kg
Leteicamie akumulatoru tipi	.....	-18°C ... +50°C	M12B...
Leteicamās uzlādes ierīces	.....	C12C, M12C4, M12-18...	

### Trokšņu un vibrāciju informācija

Vērtības, kas noteiktas saskaņā ar EN 62841.

A novērtētās aparatūras skaņas līmenis ir:

Trokšņa spiediena līmenis (Nedrošība K=3dB(A)) ..... 79,99 dB (A) ..... 81,95 dB (A)

Trokšņa jaudas līmenis (Nedrošība K=3dB(A)) ..... 90,99 dB (A) ..... 92,95 dB (A)

### Nēsāt trokšņa slāpētāju!

Svārstību kopējā vērtība (Trīs virzienu vektoru summa) tiek noteikta atbilstoši EN 62841.

svārstību emisijas vērtība a<sub>B</sub>

Maksimāla lieluma skrūvju un uzgrīzņu piegriešana ..... 1,44 m/s<sup>2</sup> ..... 2,64 m/s<sup>2</sup>

Nedrošība K = ..... 1,5 m/s<sup>2</sup> ..... 1,5 m/s<sup>2</sup>

### UZMANĪBU

Vibrācijas un trokšņa emisijas līmenis šajā informācijas lapā ir izmērīts saskaņā ar EN 62841 standarta testa metodi un var tikt izmantots, lai salīdzinātu vienu ierīci ar otru. Tās var tikt izmantotas ietekmes sākotnējai izvērtēšanai.

Norādītāis vibrācijas un trokšņa emisijas līmenis attēlo ierīces galvenos izmantošanas veidus. Tomēr, ja ierīce tiek izmantota citiem mērķiem, ar citu papildaprīkojumu vai nepareizi apkalpota, vibrācijas un trokšņa emisija var atšķirties. Tas var ievērojami paaugstināt ietekmes līmeni visā darba laikā.

Novērtējot vibrācijas un trokšņa ietekmes līmeni, vajadzētu ņemt vērā arī laiku, kad ierīce ir izslēgta vai ieslēgta, taču netiek lietota. Tas var ievērojami samazināt ietekmes līmeni visā darba laikā.

Lai aizsargātu operatoru no vibrācijas un/vai trokšņa, veiciet papildu drošības pasākumus, piemēram, veiciet apkopi ierīcei un papildaprīkojumam, uzturiet rokas siltas, organizējiet darba grafiku.

### ⚠ BRĪDINĀJUMS Izlasiet visus šim elektroinstrumentam pievienotos drošības brīdinājumus, instrukcijas, ilustrācijas un specifikācijas.

Nespēja ievērot visas zemāk uzskaitītās instrukcijas var novest pie elektrošoka, ugunsgrēka un/vai smagiem savainojumiem.

### ⚠ DROŠĪBAS NOSACĪJUMI LIETOJOT TRIECIENA SKRŪVGRIEZIS

Turiet ierīci aiz izolētajām turēšanas virsmām, veicot darbus, kur skrūve var skart apslēptus elektrības vadus. Skrūves kontakts ar spriegumu vadu var ierīces metāla daļas uzlādēt un novest pie elektriskās strāvas trieciena.

Nēsājiet ausu aizsargus. Trokšņa iedarbības rezultātā var rasties dzirdes traucējumi.

### CITAS DROŠĪBAS UN DARBA INSTRUKCIJAS

Jāizmanto aizsargaprīkojums. Strādājot ar mašīnu, vienmēr jānēsā aizsargbrilles. Ieteicams nēsāt aizsargapģērbus, kā piemēram, aizsargmasku, aizsargcimdus, kurpes no stingra un neslīdīga materiāla, ķiveri un ausu aizsargus.

Putekļi, kas rodas darba gaitā, bieži ir kaitīgi veselībai un tiem nevajadzētu nokļūt organismā. Jānēsā piemērota maska, kas pasargā no putekļiem.

Nedrīkst apstrādāt materiālus, kas rada draudus veselībai (piemēram, azbestu).

Ja izmantojamais darba rīks tiek bloķēts, nekavējoties izslēgt ierīci! Neieslēdziet ierīci, kamēr izmantojamais darba rīks ir bloķēts; var rasties atsitens ar augstu griezes momentu. Noskaidrojiet un novērsiet izmantojamā darba rīka bloķēšanas iemeslu, ievērojot visas drošības norādes.

Iespējamie iemesli:

- iesprūdis apstrādājamajā materiālā
- apstrādājamais materiāls ir caursists
- elektroinstrumentis ir pārslēgots

Leslēgtai ierīcei nepieskarti.

Izmantojamais darba rīks darba gaitā var stipri sakarst.

**UZMANĪBU!** Bīstamība apdedzināties

- veicot darba rīka nomainīšanu
- noliekot iekārtu

Skaidas un atūzas nedrīkst ņemt ārā, kamēr mašīna darbojas.

Veicot darbus sienu, griestu un grīdas apvidū, vajag uzmanīties, lai nesabojātu elektriskos, gāzes un ūdens vadus.

Fiksējiet apstrādājamo materiālu ar fiksācijas aprīkojumu. Nenostiprināti materiāli var izraisīt smagus savainojumus un bojājumus.

Pirms mašīnai veikt jebkāda veida apkopes darbus, ir jāizņem ārā akumulators.

Izmantotos akumulārus nedrīkst mest ugunī vai parastajos atkritumos. Firma Milwaukee piedāvā iespēju vecos akumulatorus savākt apkārtējo vidi saudzējošā veidā; jautājiet specializētā veikalā.

Akumulatorus nav ieteicams glabāt kopā ar metāla priekšmetiem (iespējams īsslēgums).

M12 sistēmas akumulatorus lādēt tikai ar M12 sistēmas lādētājiem. Nedrīkst lādēt citus akumulatorus no citām sistēmām.

Akumulatorus un lādētājus nedrīkst taisyt vaļā un tie jāuzglabā sausās telpās.

Pie ārkārtas slodzes un ārkārtas temperatūrām no bojātā akumulatora var izteciēt akumulatora šķidrums. Ja nonākat saskarsmē ar akumulatora šķidrumu, saskarsmes vieta nekavējoties jānomazgā ar ūdeni un ziepēm. Ja šķidrums nonācis acīs, acis vismaz 10 min. skalot un nekavējoties konsultēties ar ārstu.

**Brīdinājums!** Lai novērstu īssavienojuma izraisītu aizdegšanās, savainojumu vai produkta bojājuma risku, neiegremdējiet instrumentu, maināmo akumulatoru vai uzlādes ierīci šķidrums un rūpējieties par to, lai ierīcēs un akumulatoros neiekļūtu šķidrums. Koroziju izraisoši vai vadītspējīgi šķidrums, piemēram, sālsūdens, noteiktas ķīmikālijas, balinātāji vai produkti, kas satur balinātājus, var izraisīt īssavienojumu.

### NOTEIKUMIEM ATBILSTOŠS IZMANTOJUMS

Ar akumulatoru darbināmais urbis ir universāli pielietojams lai pieskrūvētu un atskrūvētu skrūves un uznavas neatkarīgi no pieslēguma elektrības tīklam.

Šo instrumentu drīkst izmantot tikai saskaņā ar minētajiem lietošanas noteikumiem.

### ATBILSTĪBA CE NORMĀM

Mēs kā ražotājs un vienīgā atbildīgā persona apliecinām, ka mūsu "Tehniskajos datos" raksturotais produkts atbilst visām attiecīgajām Direktīvu 2011/65/ES (RoHS), 2014/30/ES, 2006/42/EK normām un šādiem saskaņotiem normatīvajiem dokumentiem:

EN 62841-1:2015  
EN 62841-2-2:2014  
EN 55014-1:2017+A11:2020  
EN 55014-2:2015  
EN IEC 63000:2018

Winnenden, 2020-12-02

*Alexander Krug*

Alexander Krug  
Managing Director



Pilnvarotais tehniskās dokumentācijas sastādīšanā.

Techtronic Industries GmbH  
Max-Eyth-Straße 10  
71364 Winnenden  
Germany

### AKUMULĀTORI

Akumulātori, kas ilgāku laiku nav izmantoti, pirms lietošanas jāuzlādē.

Pie temperatūras, kas pārsniedz 50°C, akumulatoru darbība tiek negatīvi ietekmēta. Vajag izvairīties no ilgākas saules un karstuma iedarbības.

Lādētāja un akumulatoru pievienojuma kontakti jāuztur tīri.

Lai baterijām būtu optimāls mūžs, pēc lietošanas bateriju bloks pilnībā jāuzlādē.

Lai akumulatori kalpotu pēc iespējas ilgāku laiku, tos pēc uzlādes ieteicams atvienot no lādētāj ierīces.

Akumulatora uzglabāšana ilgāk kā 30 dienas: uzglabāt akumulatoru pie aptuveni 27° C un sausā vietā. Uzglabāt akumulatoru uzlādes stāvoklī aptuveni pie 30%-50%. Uzlādēt akumulatoru visus 6 mēnešus no jauna.

### AKUMULATORA AIZSARDZĪBA PRET PĀRSLOGOJUMU

Akumulatoru pārslēguma gadījumos, esot ļoti lielam elektroenerģijas patēriņam, piem., ārkārtīgi augsts griezes moments, urbjā leķeršanās, pēkšņa apstāšanās vai īssavienojums, elektriskais darbarīks 2 sekundes rūc, un pats izslēdzas.

Lai to atkal ieslēgtu, atlaidiet ieslēgšanas pogu un tad to ieslēdziet no jauna.

Esot ārkārtīgi augstam noslogojumam, akumulators var spēcīgi sakarst. Šādā gadījumā akumulators atslēdzas. Akumulatoru var ievietot lādētājā, lai to atkal uzlādētu un aktivizētu.

### LITĪJA JONU AKUMULATORU TRANSPORTĒŠANA

Uz litija jonu akumulatoriem attiecas noteikumi par bīstamo kravu pārvadāšanu.

Šo akumulatoru transportēšana jāveic saskaņā ar vietējiem, valsts un starptautiskajiem normatīvajiem aktiem un noteikumiem.

- Patērētāja darbības, pārvadājot šos akumulatorus pa autoceļiem, nav reglamentētas.
- Uz litija jonu akumulatoru komerciālu transportēšanu, ko veic ekspedīcijas uzņēmums, attiecas bīstamo kravu pārvadāšanas noteikumi. Sagatavošanas darbus un transportēšanu drīkst veikt tikai atbilstoši apmācīts personāls. Viss process jāveda profesionāli.

Veicot akumulatoru transportēšanu, jāievēro:

- Pārlicinieties, ka kontakti ir aizsargāti un izolēti, lai izvairītos no īssavienojumiem.
- Pārlicinieties, ka akumulators iepakojumā nevar paslīdēt.
- Bojātus vai tekošus akumulatorus nedrīkst transportēt.

Plašāku informāciju Jūs varat saņemt no ekspedīcijas uzņēmuma.

### APKOPE

Izmantojiet tikai firmu Milwaukee piederumus un firmas Milwaukee rezerves daļas. Lieciet nomainīt detaļas, kuru nomaņa nav aprakstīta, kādā no firmu Milwaukee klientu apkalpošanas servisiem. (Skat. brošūru "Garantija/klientu apkalpošanas serviss".)

Pēc pieprasījuma, Jūsu Klientu apkalpošanas centrā vai pie Technotronic Industries GmbH, Max-Eyth-Straße 10, 71364 Winnenden, Vācijā, ir iespējams saņemt iekārtas montāžas rasējumu, iepriekš norādot iekārtas modeli un sērijas numuru, kas atrodas uz datu plāksnītes un sastāv no sešiem simboliem.

### SIMBOLI

	UZMANĪBU! BĪSTAMI!
	Pirms mašīnai veikt jebkāda veida apkopes darbus, ir jāizņem ārā akumulators.
	Pirms sākt lietot instrumentu, lūdzu, izlasiet lietošanas pamācību.
	Elektriskus aparātus, baterijas/akumulatorus nedrīkst izmantot kopā ar mājāsaimniecības atkritumiem. Elektriskie aparāti un akumulatori ir jāsavāc atsevišķi un jānodod atkritumu pārstrādes uzņēmumā videi saudzīgai utilizācijai. Jautājiet vietējā iestādē vai savam specializētajam tirgotājam, kur atrodas atkritumu pārstrādes uzņēmumi vai savākšanas punkti.
	Eiropas atbilstības zīme
	Lielbritānijas atbilstības zīme
	Ukrainas atbilstības zīme
	Eiropas atbilstības zīme

TECHINIAI DUOMENYS	AKUMULIATORINIS PRAMONINIS SUKTUVAS	M12 FIR14LR	M12 FIR38LR
Produkto numeris .....		4811 34 01 ...	4811 30 01 ...
Įrankių griebtuvas .....		...000001-999999	...000001-999999
Sūkių skaičius laisva eiga .....		1/4" (6,35 mm).....	3/8" (9,5 mm)
Sukimo momentas .....		0-250 min <sup>-1</sup> .....	0-200 min <sup>-1</sup>
keičiamo akumuliatoriaus įtampa .....		54 Nm .....	75 Nm
Prietaiso svoris įvertintas pagal EPTA 01/2014 tyrimų metodiką. (2,0 Ah ... 6,0 Ah).....		12 V .....	12 V
Rekomenduojama aplinkos temperatūra dirbant.....		1,13 kg ... 1,3 kg.....	1,4 kg ... 1,6 kg
Rekomenduojami akumuliatorių tipai.....		-18°C ... +50°C	
Rekomenduojami įkrovikliai.....		M12B .....	
		C12C, M12C4, M12-18...	

### Informacija apie triukšmą/vibraciją

Vertės matuotos pagal EN 62841.

Įvertintas A įrenginio keliamo triukšmo lygis dažniausiai sudaro:

Garso slėgio lygis (Paklaida K=3dB(A))..... 79,99 dB (A)..... 81,95 dB (A)

Garso galios lygis (Paklaida K=3dB(A))..... 90,99 dB (A)..... 92,95 dB (A)

### Nešioti klausos apsaugines priemones!

Bendroji svyravimų reikšmė (trijų krypčių vektorių suma), nustatyta remiantis EN 62841.

Vibravimų emisijos reikšmė a<sub>w</sub>

Užveržti maksimalaus dydžio varžtus ir veržles..... 1,44 m/s<sup>2</sup>..... 2,64 m/s<sup>2</sup>

Paklaida K = ..... 1,5 m/s<sup>2</sup>..... 1,5 m/s<sup>2</sup>

### DĖMESIO

Šiame vadove nurodytos bendrosios vibracijos ir triukšmo emisijos vertės nustatytos pagal standartinius bandymo metodus pagal EN 62841, todėl gali būti taikomos lyginant vieną įrankį su kitu. Gali būti naudojama preliminariam poveikio įvertinimui.

Nurodytos bendrosios vibracijos ir triukšmo emisijos vertės atitinka įrankio taikymą. Jei įrankis naudojamas kitokiais tikslais, kartu su kitokiais priedais ar netinkamai prižiūrimas, bendrosios vibracijos ir triukšmo emisijos vertės gali skirtis. Tai gali žymiai padidinti poveikio lygį viso darbo metu.

Apskaičiuojant bendrosios vibracijos ir triukšmo emisijos vertes reikėtų atsižvelgti į laikotarpį, kai prietaisas yra išjungtas arba įjungtas, bet nėra naudojamas. Tai gali žymiai sumažinti poveikio lygį viso darbo metu.

Tam, kad naudotojas būtų apsaugotas nuo vibracijos ir (arba) triukšmo poveikio, reikia nustatyti papildomus saugos reikalavimus, pavyzdžiui: tinkamai prižiūrėti prietaisą ir jo priedus, laikyti rankas šiltai, organizuoti darbo modelius.

**⚠ WARNING Perskaitykite visus saugumo įspėjimus, instrukcijas, peržiūrėkite iliustracijas ir specifikacijas, pateiktas kartu su šiuo įrankiu.** Jei nepaisysite visų toliau pateiktų instrukcijų, gali trenkti elektros smūgis, kilti gaisras ir/arba galite sunkiai susižaloti arba sužaloti kitus asmenis.

### ⚠ SUKTUVAMS SKIRTI SAUGUMO NURODYMAI:

**Prietaisą laikykite ant izoliuoto guminio paviršiaus, jei atliekate darbus, kurių metu sraigtas gali pasiekti sulenkta srovės tiekimo linijas.** Sraigutį prisilietus prie įtampą tiekiančių linijų gali įsikrauti prietaiso dalys ir įvykti elektros smūgis.

**Nešioti klausos apsaugos priemones.** Triukšmo poveikyje galima netekti klausos.

### KITI SAUGUMO IR DARBO NURODYMAI

Dėvėkite apsaugines priemones. Dirbdami su mašina visada užsidėkite apsauginius akinius. Rekomenduotina dėvėti apsaugines priemones: apsaugos nuo dulkių respiratorius, apsaugines pirštines, kietus batus neslidžiais padais, šalną ir klausos apsaugos priemones.

Darbo metu susidarančios dulksės yra dažnai kenksmingos sveikatai ir todėl turėtų nepatekti į organizmą. Dėvėti tinkamą apsauginę kaukę nuo dulkių.

Negalima apdirbti medžiagų, dėl kurių galimi sveikatos pažeidimai (pvz., asbesto).

Blokuojant įstatomąjį įrankį būtina išjungti prietaisą! Neįjunkite prietaiso, kol įstatomas įrankis yra užblokuotas; galimas grįžtamasis smūgis su dideliu sukimo momentu. Atsižvelgdami į saugumo nurodymus, nustatykite ir pašalinkite įstatomojo įrankio blokavimo priežastį.

Galimos priežastys:

- Susidariusios apdirbimo ruošinio briaunos
- Apdirbamos medžiagos pratrūkimas
- Elektros įrankio perkrova

Nekiškite rankų į veikiančią mašiną.

Naudojamas įstatomasis įrankis gali įkaisti.

**DĖMESIO!** Pavojus nusideginti

### NAUDOJIMAS PAGAL PASKIRTĮ

Universalus akumuliatorinis pramoninis suktuvas naudojamas priveržti ir atsukti varžtus bei veržles net tada, kai nėra tiesioginio maitinimo iš elektros tinklo.

Šį prietaisą leidžiama naudoti tik pagal nurodytą paskirtį.

### CE ATITIKTIES PAREIŠKIMAS

Kaip gamintojas atsižvelgdamas pareiškiam, kad gaminyje, aprašytas skyriuje „Techniniai duomenys“, atitinka visus 2011/65/ES (RoHS), 2014/30/ES, 2006/42/EB direktyvas ir šių darnųjų norminių dokumentų taikomus reikalavimus:

EN 62841-1:2015

EN 62841-2-2:2014

EN 55014-1:2017+A11:2020

EN 55014-2:2015

EN IEC 63000:2018

Winnenden, 2020-12-02



Alexander Krug  
Managing Director



Įgalios parengti techninius dokumentus.

Techtronic Industries GmbH

Max-Eyth-Straße 10

71364 Winnenden

Germany

### AKUMULIATORIAI

Ilgesnį laiką nenaudotus keičiamus akumuliatorius prieš naudojimą įkruokite.

Aukštesnė nei 50°C temperatūra mažina keičiamų akumuliatorių galia.

Venkite ilgesnio saulės ar šilumos šaltinių poveikio.

Įkroviklio ir keičiamo akumuliatoriaus jungiamieji kontaktai visada turi būti švarūs.

Pasinaudoję prietaisu, visiškai įkruokite akumuliatorių, kad prietaisas veiktų optimaliai ilgai.

Siekiant užtikrinti kuo ilgesnį baterijos tarnavimo laiką, reikėtų ją po atlikto įkrovimo iškart išimti iš įkroviklio.

Bateriją laikant ilgiau nei 30 dienų, būtina atkreipti dėmesį į šias nuorodas: bateriją laikyti sausoje aplinkoje, esant apie 27 °C temperatūrai. Baterijos įkrovimo lygis turi būti nuo 30% iki 50%.

Baterija pakartotinai turi būti įkraunama kas 6 mėnesius.

### APSAUGA NUO AKUMULIATORIAUS PERKROVOS

Perkrovus akumuliatorių dėl itin didelės vartojamos srovės, pvz.: labai didelių apskų, staigaus stabdymo, trumpo sujungimo ar užsikirtus gražtiui, elektrinis įrankis veikia dar 2 sekundes ir išsijungia automatiškai.

Norint iš naujo įjungti įrankį, reikia atleisti mygtuką ir jį dar kartą įjungti.

Dėl ekstremalių apkrovų akumuliatorius gali labai stipriai įkaisti.

Tokiu atveju jis išsijungia.

Tada akumuliatorių reikia įkišti į įkroviklį, kad jis įsikrautų ir veiktų.

### LIČIO JONŲ AKUMULIATORIŲ PERVEŽIMAS

Ličio jonų akumuliatoriams taikomos įstatyminės nuostatos dėl pavojingų krovinių pervežimų.

Šiuos akumuliatorius pervežti būtina laikantis vietinių, nacionalinių ir tarptautinių direktyvų ir nuostatų.

- Naudotojai šiuos akumuliatorius gali naudoti savo transporte bei jokių kitų sąlygų.
- Už komercinį ličio jonų akumuliatorių pervežimą atsako ekspedicijos įmonė pagal nuostatas dėl pavojingų krovinių pervežimo. Pasiruošimo išsiųsti ir pervežimo darbus gali atlikti tik atitinkamai išmokyti asmenys. Visas procesas privalo būti prižiūrimas.

Pervežant akumuliatorius būtina laikytis šių punktų:

- Siekiant išvengti trumpųjų jungimų, įsitikinkite, kad kontaktai yra apsaugoti ir izoliuoti.

- Atkreipkite dėmesį, kad akumuliatorius pakuotės viduje neslidinėtų.
- Draudžiama pervežti pažeistus arba tekančius akumuliatorius.

Dėl detalesnių nurodymų kreipkitės į savo ekspedicijos įmonę.

### TECHINIS APTARNAVIMAS

Naudokite tik „Milwaukee“ priedus ir „Milwaukee“ atsargines dalis. Dalis, kurių keitimas neaprašytas, leidžiama keisti tik „Milwaukee“ klientų aptarnavimo skyriams (žr. garantiją/klientų aptarnavimo skyrių adresus brošiūroje).

Esant poreikiui, nurodžius mašinos modelį ir šešiaženklį numerį, esantį ant specifikacijų lentelės, klientų aptarnavimo centre arba tiesiogiai, Techtronic Industries GmbH, Max-Eyth-Str. 10, 71364 Winnenden, Vokietija, galite užsakyti išplėstinį prietaiso brėžinį.

### SIMBOLIAI

	DĖMESIO! ĮSPĖJIMAS! PAVOJUS!
	Prieš atlikdami bet kokius darbus įrenginyje, išimkite keičiamą akumuliatorių.
	Prieš pradėdami dirbti su prietaisu, atidžiai perskaitykite jo naudojimo instrukciją.
	Elektros prietaisų, baterijų/akumuliatorių šalinti kartu su buitinėmis atliekomis negalima. Elektros prietaisus ir akumuliatorius reikia surinkti atskirai ir atiduoti perdirbimo įmonei, kad būtų pašalinti aplinkai saugiu būdu. Vietos valdžios institucijose arba specializuotose prekybos vietose pasidomėkite apie perdirbimo ir surinkimo centrus.
	Europos atitikties ženklas
	Britanijos atitikties ženklas
	Ukrainos atitikties ženklas
	Eurazijos atitikties ženklas

TEHNILISED ANDMED	TÖÖSTUSLIK AKUTRELL	M12 FIR14LR	M12 FIR38LR
Tootmisnumber.....	4811 34 01.....	4811 30 01.....	4811 30 01.....
Tööriista kinnitus.....	000001-999999.....	000001-999999.....	000001-999999.....
Pöörlemiskiirus tühijooksul.....	1/4" (6,35 mm).....	3/8" (9,5 mm).....	3/8" (9,5 mm).....
Pöördemoment.....	0-250 min <sup>-1</sup> .....	0-200 min <sup>-1</sup> .....	0-200 min <sup>-1</sup> .....
Vahetatava aku pingeline.....	54 Nm.....	75 Nm.....	75 Nm.....
Kaal vastavalt EPTA-protseduurile 01/2014 (2,0 Ah ... 6,0 Ah).....	12 V.....	12 V.....	12 V.....
Soovituslik ümbritsev temperatuur töötamise ajal.....	1,13 kg ... 1,3 kg.....	1,4 kg ... 1,6 kg.....	1,4 kg ... 1,6 kg.....
Soovituslikud akutüübid.....	-18°C ... +50°C.....	M12B.....	M12B.....
Soovituslik laadija.....	C12C, M12C4, M12-18...		

#### Müra/vibratsiooni andmed

Mõõteväärtused on kindlaks tehtud vastavalt normile EN 62841.

Seadme tüüpiline hinnanguline (müratase:

Helirõhutase (Määramatus K=3dB(A))..... 79,99 dB (A)..... 81,95 dB (A)

Helivõimsuse tase (Määramatus K=3dB(A))..... 90,99 dB (A)..... 92,95 dB (A)

#### Kandke kaitseks kõrvaklappe!

Vibratsiooni koguväärtus (kolme suuna vektorsumma) mõõdetud

EN 62841 järgi.

Vibratsiooni emissiooni väärtus a<sub>n</sub>

Maksimaalse suurusega kruvide ja mutrite pingutamine ..... 1,44 m/s<sup>2</sup> ..... 2,64 m/s<sup>2</sup>

Määramatus K = ..... 1,5 m/s<sup>2</sup> ..... 1,5 m/s<sup>2</sup>

#### TÄHELEPANU

Sellel teabelehel toodud vibratsiooni- ja müraemissioon on mõõdetud standardis EN 62841 kirjeldatud standarditud testiga ning seda võib kasutada tööriistade omavaheliseks võrdlemiseks. Testi võib kasutada kokkupuute esialgseks hindamiseks.

Deklareeritud vibratsiooni- ja müratase puudutab tööriista põhikasutatut. Kui tööriista kasutatakse muuks otstarbeks, teistsuguste tarvikutega või tööriista hooldatakse halvasti, võivad vibratsioon ja müraemissioon erineda. See võib kokkupuutetasel kogu tööajal oluliselt suurendada.

Vibratsiooni ja müraga kokkupuute hinnangulise taseme juures tuleb arvesse võtta ka aega, kui tööriist on välja lülitatud või töötab, kuid sellega ei tehta tööd. See võib kokkupuutetasel kogu tööaja kohta oluliselt vähendada.

Tehke kindlaks täendavad ohutusmeetmed operaatori kaitsmiseks vibratsiooni ja/või müra eest, näiteks: hooldage tööriista ja tarvikuid, hoidke käed soojas, vaadake üle töökorraldus.

**⚠ TÄHELEPANU! Kõik selle elektrilise tööriistaga kaasasolevad ohutusnõuded, juhised, joonised ja spetsifikatsioonid tuleb läbi lugeda.** Kõigi allpool loetletud juhiste eiramise tagajärjeks võib olla elektrilööki, tulekahju ja/või rasked vigastused.

#### ⚠ KRUVITSATE OHUTUSJUHISED:

**Hoidke käed seadme isoleeritud käepidemetele, kui Te teostate töid, mille juures kruvi võib sattuda varjatud voolujuhtmetele.**

Kruvi kontakt pinget juhtiva juhtmega võib panna metallist seadme osad pingele alla ja põhjustada elektrilööki.

**Kandke kaitseks kõrvaklappe.** Müra mõju võib kutsuda esile kuulmise kaotuse.

#### EDASISED OHUTUS- JA TÖÖJUHISED

Kasutada kaitsevarustust. Masinaga töötamisel kanda alati kaitseprille. Kaitseriietusena soovatakse kasutada tolumumaski kaitsekindaid, kinniseid ja libisemisvastase tallaga jalanõusid, kiivrit ja kuulmisteede kaitset.

Töö ajal tekkiv tolm on sageli teravkujuline ning ei tohiks sattuda organismi. Kanda sobivat kaitsemaski.

Töödelda ei tohi materjale, millest lähtub oht tervisele (nt asbest).

Palun lülitage seade rakendustööriista blokeerumise korral kohe välja! Ärge lülitage seadet sisse tagasi, kuni rakendustööriist on blokeeritud; seejuures võib kõrge reaktsioonimomendiga tagasilööki tekkida. Tehke ohutusjuhiseid arvesse võttes kindlaks ja kõrvaldage rakendustööriista blokeerumise põhjus.

Selle võimalikeks põhjusteks võivad olla:

- viltu asetumine töödeldavas toorikus
- töödeldava materjali läbimurdumine
- elektritööriista ülekoormamine

Ärge sisestage jäsmeid töötavasse masinasse.

Rakendustööriist võib kasutamise ajal kuumaks minna.

#### TÄHELEPANU! Põletusohu

- tööriista vahetamisel
- seadme ärapanemisel

Puru ega pilpaid ei tohi eemaldada masina töötamise ajal.

#### KASUTAMINE VASTAVALT OTSTARBELE

Tööstuslikku akutrelli saab kasutada universaalselt kruvide ja mutrite kinnitamiseks ning vastastamiseks võrguühenduse olemasolust sõltumatult.

Antud seadet tohib kasutada ainult vastavalt äranäidatud otstarbele.

#### EÜ VASTAVUSVALDUS

Kinnitame tootjana ainuisikuliselt vastutades, et jaotises „Tehnilised andmed“ kirjeldatud toode on kooskõlas ELi direktiivide 2011/65/EU (RohS), 2014/30/EL, 2006/42/EG kõikide asjaomaste eeskirjade ja allpool nimetatud normdokumentidega:

EN 62841-1:2015  
EN 62841-2-2:2014  
EN 55014-1:2017+A11:2020  
EN 55014-2:2015  
EN IEC 63000:2018

Winnenden, 2020-12-02

*Alexander Krug*

Alexander Krug  
Managing Director



On volitatud koostama tehnilist dokumentatsiooni.

Techtronic Industries GmbH  
Max-Eyth-Straße 10  
71364 Winnenden  
Germany

#### AKUD

Pikemat aega mittekasutatud akusid laadige veel enne kasutamist. Temperatuur üle 50 °C vähendab vahetatava aku töövõimet.

Vältige pikemat soojenemist päikese või kütteseadme mõjul.

Hoidke laadija ja vahetatava aku ühenduskontaktid puhtad.

Patreide optimaalse eluea tagamiseks, pärast kasutamist täielikult lae pateride plokki.

Akud tuleks võimalikult pika kasutusea saavutamiseks pärast täislaadimist laadijast välja võtta.

Aku ladustamisel üle 30 päeva:

Ladustage akut kuivas kohas u 27°C juures.

Ladustage akut u 30-50% laetusseisundis.

Laadige aku iga 6 kuu tagant täis.

#### AKU KOORMUSKAITSE

Aku ülekoormamisel kõrge voolutarbimisega, nt puuri blokeerumisel, äkilisel seiskumisel või lühise tekkimisel, vibreerib elektritööriist 2 sekundit ning seejärel lülitub automaatselt välja.

Uuesti sisse lülitamiseks tuleb päästik esmalt vabastada ning seejärel uuesti alla suruda.

Ülisuurel koormusel võib aku kuumeneda kõrgete temperatuurideni. Sellisel juhul lülitub aku välja.

Aku tuleb laadimiseks ja taasaktiveerimiseks sisestada laadimisestadesse.

#### LIITIUMIOONAKUDE TRANSPORTIMINE

Liitiumioonakud on allutatud ohtlike ainete transportimisega seonduvatele õigusaktidele.

Nende akude transportimine peab toimuma kohalikest, siseriiklikest ja rahvusvahelistest eeskirjadest ning määrustest kinni pidades.

- Tarbijad tohivad neid akusid edasiste piiranguteta tänaval transportida.
- Liitiumioonakude kommertstransport ekspedeerimisettevõtete kaudu on allutatud ohtlike ainete transportimisega seonduvatele õigusaktidele. Tarne-ettevalmistusi ja transporti tohivad teostada eranditult vastavalt koolitatud isikud. Kogu protsess tuleb asjatundlikult jälgida.

Akude transportimisel tuleb järgida järgmisi punkte:

- Tehke kindlaks, et kontaktid on lühiste vältimiseks kaitstud ja isoleeritud.

- Pöörake tähelepanu sellele, et akupakk ei saaks pakendis nihkuda.

- Kahjustatud või välja voolanud akusid ei tohi kasutada.

Pöörduge edasiste juhiste saamiseks ekspedeerimisettevõtte poole.

#### HOOLDUS

Kasutage ainult Milwaukee tarvikuid ja Milwaukee tagavaraosi. Detailid, mille väljavahetamist pole kirjeldatud, laske välja vahetada Milwaukee klienditeeninduspunkti (vaadake brošüüri garantii / klienditeeninduste aadressid).

Vajadusel saab nõuda seadme plahvatusjoonise võimsussidil oleva masinatüübi ja kuuekohalise numbrilise alusel klienditeeninduspunkti või vahetult firmalt Techtronic Industries GmbH, Max-Eyth-Straße 10, 71364 Winnenden, Germany.

#### SÜMBOLID

	ETTEVAATUST! TÄHELEPANU! OHUD!
	Enne kõiki töid masina kallal võtke vahetatav aku välja.
	Palun lugege enne käiklaskmist kasutusjuhend hoolikalt läbi.
	Elektriseadmeid, patareid/akusid ei tohi utiliseerida koos majapidamisprügiga. Elektriseadmed ja akud tuleb eraldi kokku koguda ning kõrvaldada keskkonnasõbralikul moel töötlemiskeskusesse. Küsige infot jäätmekäitlusjaamade ja kogumispunktide kohta oma kohalike ametnike või edasimüüja käest.
	Euroopa vastavusmärk
	Ühendkuningriigi vastavusmärk
	Ukraina vastavusmärk
	Euraasia vastavusmärk



ТЕХНИЧЕСКИЕ ДАННЫЕ	АККУМУЛЯТОРНЫЙ ВИНТОВЕРТ	M12 FIR14LR	M12 FIR38LR
Серийный номер изделия .....	4811 34 011 .....	4811 30 011 .....	000001-999999 .....
Держатель вставок .....	1/4" (6,35 mm) .....	3/8" (9,5 mm) .....	0-250 min <sup>-1</sup> .....
Число оборотов без нагрузки (об/мин) .....	54 Nm .....	75 Nm .....	12 V .....
Момент затяжки .....	12 V .....	12 V .....	1,13 kg ... 1,3 kg .....
Вольтаж аккумулятора .....	12 V .....	12 V .....	1,4 kg ... 1,6 kg .....
Вес согласно процедуре ЕРТА 01/2014 (2,0 Ah ... 6,0 Ah) .....	1,13 kg ... 1,3 kg .....	1,4 kg ... 1,6 kg .....	-18°C ... +50°C .....
Рекомендованная температура окружающей среды во время работы .....	18°C .....	M12B .....	C12C, M12C4, M12-18...
Рекомендованные типы аккумуляторных блоков .....	M12B .....		
Рекомендованные зарядные устройства .....	C12C, M12C4, M12-18...		

#### Информация по шумам/вибрации

Значения замерялись в соответствии со стандартом EN 62841.

Уровень шума прибора, определенный по показателю A, обычно составляет:

Уровень звукового давления (Небезопасность K=3dB(A)) ..... 79,99 dB (A) ..... 81,95 dB (A)

Уровень звуковой мощности (Небезопасность K=3dB(A)) ..... 90,99 dB (A) ..... 92,95 dB (A)

#### Пользуйтесь приспособлениями для защиты слуха.

Общие значения вибрации (векторная сумма трех направлений)

определены в соответствии с EN 62841.

Значение вибрационной эмиссии a<sub>w</sub>:

Завинчивание винтов и гаек максимальных размеров ..... 1,44 m/s<sup>2</sup> ..... 2,64 m/s<sup>2</sup>

Небезопасность K = ..... 1,5 m/s<sup>2</sup> ..... 1,5 m/s<sup>2</sup>

#### ВНИМАНИЕ

Заявленные значения вибрации и шумового излучения, указанные в настоящем информационном листе, были измерены согласно стандартизированному методу испытания согласно EN 62841 и могут использоваться для сравнения одного инструмента с другим. Они могут применяться для предварительной оценки воздействия на организм человека.

Указанные значения вибрации и шумового излучения действительны для основных областей применения инструмента. Однако если инструмент используется в других областях применения или с другими принадлежностями либо проходит ненадлежащее обслуживание, значения вибрации и шумового излучения могут отличаться. Это может существенно увеличить уровень воздействия на организм на протяжении общего периода работы.

При оценке уровня воздействия вибрации и шумового излучения на организм также необходимо учитывать периоды, когда инструмент выключен, или когда он работает, но фактически не используется для выполнения работы. Это может существенно сократить уровень воздействия на организм на протяжении общего периода работы.

Определите дополнительные меры для защиты оператора от воздействия вибрации и/или шума, такие как обслуживание инструмента и его принадлежностей, сохранение рук в тепле, организация графиков работы.

**ВНИМАНИЕ!** Ознакомьтесь со всеми предупреждениями относительно безопасного использования, инструкциями, иллюстративным материалом и техническими характеристиками, поставляемыми с этим электроинструментом. Несоблюдение всех нижеследующих инструкций может привести к поражению электрическим током, пожару и/или тяжелым травмам.

#### УКАЗАНИЯ ПО ТЕХНИКЕ БЕЗОПАСНОСТИ ДЛЯ ИМПУЛЬСНЫЙ ГАЙКОВЕРТ

Если Вы выполняете работы, при которых болт может зацепить скрытую электропроводку, устройству следует держать за специально предназначенные для этого изолированные поверхности. Контакт болта с токоведущим проводом может ставить под напряжение металлические части прибора, а также приводить к удару электрическим током.

Используйте наушники! Воздействие шума может привести к потере слуха.

#### ДОПОЛНИТЕЛЬНЫЕ УКАЗАНИЯ ПО БЕЗОПАСНОСТИ И РАБОТЕ

Пользоваться средствами защиты. Работать с инструментом всегда в защитных очках. Рекомендуется спецодежда: пылезащитная маска, защитные перчатки, прочная и нескользящая обувь, каска и наушники.

Пыль, возникающая при работе данным инструментом, может нанести вред здоровью. Не следует допускать её попадания в организм. Надевайте противопылевой респиратор.

Запрещается обрабатывать материалы, которые могут нанести вред здоровью (напр., асбест).

При блокировании используемого инструмента немедленно выключить прибор! Не включайте прибор до тех пор, пока используемый инструмент заблокирован, в противном случае может возникнуть отдача с высоким реактивным моментом. Определите и устраните причину блокирования используемого инструмента с учетом указаний по безопасности.

Возможными причинами могут быть:

- перекос заготовки, подлежащей обработке

- разрушение материала, подлежащего обработке
- перегрузка электроинструмента

Не прикасаться к работающему станку.

Используемый инструмент может нагреваться во время применения.

**ВНИМАНИЕ!** Опасность получения ожога

- при смене инструмента
- при укладывании прибора

Не убирайте опилки и обломки при включенном инструменте.

При работе в стенах, потолках или полу следите за тем, чтобы не повредить электрические кабели или водопроводные трубы.

Зафиксируйте вашу заготовку с помощью зажимного приспособления. Незафиксированные заготовки могут привести к тяжелым травмам и повреждениям.

Выньте аккумулятор из машины перед проведением с ней каких-либо манипуляций.

Не выбрасывайте использованные аккумуляторы вместе с домашним мусором и не сжигайте их. Дистрибьюторы компании Milwaukee предлагают восстановление старых аккумуляторов, чтобы защитить окружающую среду.

Не храните аккумуляторы вместе с металлическими предметами во избежание короткого замыкания.

Для зарядки аккумуляторов модели M12 используйте только зарядным устройством M12. Не заряжайте аккумуляторы других систем.

Никогда не вскрывайте аккумуляторы или зарядные устройства и храните их только в сухих помещениях. Следите, чтобы они всегда были сухими.

Аккумуляторная батарея может быть повреждена и дать течь под воздействием чрезмерных температур или повышенной нагрузки. В случае контакта с аккумуляторной кислотой немедленно промойте место контакта мылом и водой. В случае попадания кислоты в глаза промойте глаза в течение 10 минут и немедленно обратитесь за медицинской помощью.

**Предупреждение!** Для предотвращения опасности пожара в результате короткого замыкания, травм и повреждения изделия не

опускайте инструмент, сменный аккумулятор или зарядное устройство в жидкости и не допускайте попадания жидкостей внутрь устройств или аккумуляторов. Коррозионные и проводящие жидкости, такие как соленый раствор, определенные химикаты, отбеливающие средства или содержащие их продукты, могут привести к короткому замыканию.

#### ИСПОЛЬЗОВАНИЕ

Аккумуляторный винтоверт подходит универсально для закрепления и ослабления винтов и гаек не зависимо без подключения к сети.

Не пользуйтесь данным инструментом способом, отличным от указанного для нормального применения.

#### ДЕКЛАРАЦИЯ О СООТВЕТСТВИИ СТАНДАРТАМ ЕС

Под собственную ответственность мы как производитель заявляем о том, что описанное в разделе «Технические характеристики» изделие отвечает всем соответствующим требованиям директив 2011/65/ЕС (директива, ограничивающая содержание вредных веществ), 2014/30/ЕС, 2006/42/ЕС и следующих гармонизированных нормативных документов:

EN 62841-1:2015  
EN 62841-2:2014  
EN 55014-1:2017+A11:2020  
EN 55014-2:2015  
EN IEC 63000:2018

Winnenden, 2020-12-02

*Alexander Krug*

Alexander Krug  
Managing Director



Уполномочен на составление технической документации.

Techtronic Industries GmbH  
Max-Eyth-Straße 10  
71364 Winnenden  
Germany

#### АККУМУЛЯТОР

Перед использованием аккумулятора, которым не пользовались некоторое время, его необходимо зарядить.

Температура свыше 50°C снижает работоспособность аккумуляторов. Избегайте продолжительного нагрева или прямого солнечного света (риск перегрева).

Контакты зарядного устройства и аккумуляторов должны содержаться в чистоте.

Чтобы снова зарядить и активировать аккумулятор, подключите его к зарядному устройству.

Для обеспечения оптимального срока службы аккумуляторы необходимо полностью заряжать после использования.

Для достижения максимально возможного срока службы аккумуляторы после зарядки следует вынимать из зарядного устройства.

При хранении аккумулятора более 30 дней:

Храните аккумулятор при 27°C в сухом месте.

Храните аккумулятор с зарядом примерно 30% - 50%.

Каждые 6 месяцев аккумулятор следует заряжать.

#### ЗАЩИТА АККУМУЛЯТОРА ОТ ПЕРЕГРУЗКИ

При перегрузке аккумулятора из-за очень высокого расхода электроэнергии, напр., предельно высоких крутящих моментов, заклинивания сверла, внезапной остановки или короткого замыкания, электроинструмент гудит 2 секунды и автоматически отключается. Для повторного включения отпустить кнопку выключателя и затем снова включить.

При предельно высоких нагрузках аккумулятор может сильно нагреться. В этом случае аккумулятор отключится.

#### ТРАНСПОРТИРОВКА ЛИТИЙ-ИОННЫХ АККУМУЛЯТОРОВ

Литий-ионные аккумуляторы в соответствии с предписаниями закона транспортируются как опасные грузы.

Транспортировка этих аккумуляторов должна осуществляться с соблюдением местных, национальных и международных предписаний и положений.

- Эти аккумуляторы могут перевозиться по улице потребителем без дальнейших обязательств.
- При коммерческой транспортировке литий-ионных аккумуляторов экспедиторскими компаниями действуют положения, касающиеся транспортировки опасных грузов. Подготовка к отправке и транспортировка должны производиться исключительно специально обученными лицами. Весь процесс должен находиться под контролем специалиста.

При транспортировке аккумуляторов необходимо соблюдать следующие пункты:

- Убедитесь, что контакты защищены и изолированы во избежание короткого замыкания.
- Следите за тем, чтобы аккумуляторный блок не соскользнул внутри упаковки.
- Транспортировка поврежденных или протекающих аккумуляторов запрещена.

За дополнительными указаниями обратитесь к своему экспедитору.

#### ОБСЛУЖИВАНИЕ

Пользуйтесь аксессуарами и запасными частями Milwaukee. В случае возникновения необходимости в замене, которая не была описана, обращайтесь в один из сервисных центров по обслуживанию электроинструментов Milwaukee (см. список сервисных организаций).

При необходимости, у сервисной службы или непосредственно у фирмы Techtronic Industries GmbH, Max-Eyth-Straße 10, 71364, Винненден, Германия, можно запросить сборочный чертеж устройства, сообщив его тип и шестизначный номер, указанный на фирменной табличке.

#### СИМВОЛЫ

	ВНИМАНИЕ! ПРЕДУПРЕЖДЕНИЕ! ОПАСНОСТЬ!
	Выньте аккумулятор из машины перед проведением с ней каких-либо манипуляций.
	Пожалуйста, внимательно прочтите инструкцию по использованию перед началом любых операций с инструментом.
	Электроприборы, батареи/аккумуляторы запрещено утилизировать вместе с бытовым мусором. Электрические приборы и аккумуляторы следует собирать отдельно и сдавать в специализированную компанию для утилизации в соответствии с нормами охраны окружающей среды. Получите в местных органах власти или у вашего специализированного дилера сведения о центрах вторичной переработки и пунктах сбора.
	Европейский знак соответствия
	Британский знак соответствия
	Украинский знак соответствия
	Евразийский знак соответствия

ТЕХНИЧЕСКИ ДАННИ	БЕЗЖИЧНА ПРОМИШЛЕНА ОТВЕРТКА	M12 FIR14LR	M12 FIR38LR
Производствен номер.....		4811 34 01.....	4811 30 01.....
		...000001-999999	...000001-999999
Гнездо за закрепване на инструменти.....		1/4" (6,35 mm).....	3/8" (9,5 mm)
Обороти на празен ход.....		0-250 min <sup>-1</sup> .....	0-200 min <sup>-1</sup>
Въртящ момент.....		54 Nm.....	75 Nm
Напрежение на акумулатора.....		12 V.....	12 V
Тегло съгласно процедурата EPTA 01/2014 (2,0 Ah ... 6,0 Ah).....		1,13 kg ... 1,3 kg.....	1,4 kg ... 1,6 kg
Препоръчителна околна температура при работа.....		-18°C ... +50°C.....	
Препоръчителни видове акумулаторни батерии.....		M12B.....	
Препоръчителни зарядни устройства.....		C12C, M12C4, M12-18...	

#### Информация за шума/вибрациите

Измерените стойности са получени съобразно EN 62841.

Оцененото с А ниво на шума на уреда е съответно:

Равнище на звуковото налягане (Несигуриност K=3dB(A))..... 79,99 dB (A)..... 81,95 dB (A)

Равнище на мощността на звука (Несигуриност K=3dB(A))..... 90,99 dB (A)..... 92,95 dB (A)

#### Да се носи предпазно средство за слуха!

Общите стойности на вибрациите (векторна сума на три посоки) са

определени в съответствие с EN 62841.

Стойност на емисии на вибрациите a<sub>w</sub>

Затягане на болтове/гайки с максимален размер..... 1,44 m/s<sup>2</sup>..... 2,64 m/s<sup>2</sup>

Несигуриност K =..... 1,5 m/s<sup>2</sup>..... 1,5 m/s<sup>2</sup>

#### ВНИМАНИЕ

Посочените в настоящия информационен лист нива на вибрации и шумови емисии са измерени в съответствие със стандартизирано изпитване, предоставено в EN 62841, и могат да се използват за сравняване на един инструмент с друг. Те може също така да се използват и за предварителна оценка на излагането на вредни въздействия.

Декларираните нива на вибрации и шумови емисии се отнасят за основните приложения на инструмента. Ако обаче инструментът се използва за други приложения, с други приспособления или не се поддържа добре, нивата на вибрации и шумови емисии могат да са различни. Това може значително да повиши нивото на излагане на вредни въздействия за общата продължителност на работата.

При оценка на нивото на излагане на въздействието на вибрации и шум следва също така да се вземе предвид времето, през което инструментът е изключен или през което е включен, но не се използва. Това може значително да понижи нивото на излагане на вредни въздействия за общата продължителност на работата.

Определете допълнителни мерки за безопасност за защита на оператора от въздействието на вибрациите и/или шума, като например поддръжка на инструмента и приспособленията, поддържането на топлината на ръцете и организацията на работата.

**⚠ ВНИМАНИЕ!** Прочетете всички указания за безопасност, инструкции, илюстрации и спецификации за този електроинструмент. Пропуските при спазване на приведените по-долу указания могат да доведат до токов удар, пожар и/или тежки травми.

#### ⚠ УКАЗАНИЯ ЗА БЕЗОПАСНОСТ ЗА СВРЕДЛА ЗА УДАРНО ПРОБИВАНЕ:

Когато извършвате работи, при които болтът може да докосне скрити електрически кабели, дръжте уреда за изолираните ръкохватки. Контактът на болта с токопроводим проводник може да постави метални част на уреда под напрежение и може да Ви хване ток.

Носете средство за защита на слуха. Въздействието на шума може да предизвика загуба на слуха.

#### ДОПЪЛНИТЕЛНИ УКАЗАНИЯ ЗА РАБОТА И БЕЗОПАСНОСТ

Да се използва предпазни средства. При работа с машината винаги носете предпазни очила. Препоръчват се защитно облекло и прахозащитна маска, защитни ръкавици, слуха и нехлъзгащи се обувки, каска и предпазни средства за слуха.

Прахът, който се образува при работа, често е вреден за здравето и не бива да попада в тялото. Да се носи подходяща прахозащитна маска.

Не е разрешена обработката на материали, които представляват опасност за здравето (напр. азбест).

Ако използваният инструмент блокира, изключете веднага уреда! Не включвайте уреда отново, докато използваният инструмент е блокиран; това би могло да доведе до откат с висока реактивна сила. Открийте и отстранете причината за блокирането на използвания инструмент имайки в предвид инструкциите за безопасност.

Възможните причини за това могат да бъдат:

- Заклинване в обработваната част
- Пробиване на материала

- Пренатоварване на електрическия инструмент

Не бъркайте в машината, докато тя работи.

Използваният инструмент може да загрее по време на употреба.

**ВНИМАНИЕ!** Опасност от изгаряния

- при смяна на инструмента
- при оставяне на уреда

Стружки или отчупени парчета да не се отстраняват, докато машина работи.

При работа в стени, тавани или подове внимавайте за кабели, газопроводи и водопроводи.

Закрепете обработваната част с устройство за захващане. Незакрепени части за обработка могат да причинят сериозни наранявания и материални щети.

Преди започване на каквито е да работи по машината извадете акумулатора.

Не изхвърляйте изхабените акумулатори в огъня или в битовите отпадъци. Milwaukee предлага екологосъобразно събиране на старите акумулатори; моля попитайте Вашия специализиран търговец.

Не съхранявайте акумулаторите заедно с метални предмети (опасност от късо съединение).

Акумулатори от системата M12 да се зареждат само със зарядни устройства от системата M12 laden. Да не се зареждат акумулатори от други системи.

Не отваряйте акумулатори и зарядни устройства и ги съхранявайте само в сухи помещения. Пазете ги от влага.

При екстремно натоварване или екстремна температура от повредени акумулатори може да изтече батерийна течност. При допир с такава течност веднага измийте с вода и сапун. При контакт с очите веднага изплаквайте старателно най-малко 10 минути и незабавно потърсете лекар.

**Предупреждение!** За да избегнете опасността от пожар, предизвикана от късо съединение, както и нараняванията и

повредите на продукта, не потапяйте инструмента, сменяемата акумулаторна батерия или зарядното устройство в течности и се погрижете в уредите и акумулаторните батерии да не попадат течности. Течностите, предизвикващи корозия или провеждащи електричество, като солена вода, определени химикали, избяващи вещества или продукти, съдържащи избяващи вещества, могат да предизвикат късо съединение.

#### ИЗПОЛЗВАНЕ ПО ПРЕДНАЗНАЧЕНИЕ

Безжичната промишлена отвертка е инструмент за универсална употреба за завинтване и развинтване на болтове и гайки, който не е зависим от мрежово захранване.

Този уред може да се използва по предназначение само както е посочено.

#### СЕ - ДЕКЛАРАЦИЯ ЗА СЪОТВЕТСТВИЕ

В качеството си на производител декларирам на собствена отговорност, че продуктът, описан в „Технически данни“, отговаря на всички съответстващи разпоредби на Директиви 2011/65/EC (RoHS), 2014/30/EC, 2006/42/EO и на следните хармонизирани нормативни документи:

EN 62841-1:2015

EN 62841-2-2:2014

EN 55014-1:2017+A11:2020

EN 55014-2:2015

EN IEC 63000:2018

Winnenden, 2020-12-02

*Alexander Krug*

Alexander Krug  
Managing Director



Упълномощен за съставяне на техническата документация

Techtronic Industries GmbH

Max-Eyth-Straße 10

71364 Winnenden

Germany

#### АКУМУЛАТОРИ

Акумулатори, които не са ползвани по-дълго време, преди употреба да се дозаредят.

Температура над 50°C намалява мощността на акумулатора. Да се избягва по-продължително нагряване на слънце или от отопление.

Поддържайте чисти присъединителните контакти на зарядното устройство и на акумулатора.

С цел оптимална продължителност на живот след употреба батериите трябва да бъдат заредени напълно.

За възможно по-дълга продължителност на живот батериите трябва да се изваждат от уреда след зареждане.

При съхранение на батериите за повече от 30 дни: съхранявайте батерията при прибл. 27°C и на сухо място. Съхранявайте батерията при 30 до 50 % от заряда. Зареждайте батерията на всеки 6 месеца.

#### ЗАЩИТА ОТ ПРЕТОВАРВАНЕ НА БАТЕРИЯТА

При претоварване на акумулатора поради много висока консумация на ток, напр. много високи въртящи моменти, закливане на свредлото, внезапно стоп или късо съединение, електрическият инструмент бръмчи 2 секунди и самостоятелно се изключва.

За ново включване освободете бутона за включване и отново го включете.

При извънредни натоварвания акумулаторът може да се нагрее силно. В този случай акумулаторът изключва.

Товага акумулаторът да се включи към зарядното устройство, за да се дозареди и активира.

#### ПРЕВОЗ НА ЛИТИЕВО-ЙОННИ БАТЕРИИ

Литиево-йонните батерии са предмет на законите разпоредби за превоз на опасни товари.

Превозът на тези батерии трябва да се извършва в съответствие с местните, националните и международните разпоредби и регламенти.

- Потребителите могат да превозват тези батерии по пътя без допълнителни изисквания.
- Превозът на литиево-йонни батерии от транспортни компании е предмет на законите разпоредбите за превоз на опасни товари. Подготовката на превоза и самият превоз трябва да се извършват само от обучени лица. Целият процес трябва да е под професионален надзор.

Спазвайте следните изисквания при превоз на батерии:

- Уверете се, че контактите са защитени и изолирани, за да се избегне късо съединение.
- Уверете се, че няма опасност от разместване на батерията в опаковката.
- Не превозвайте повредени батерии или такива с течове.

Обърнете се към Вашата транспортна компания за допълнителни инструкции.

#### ПОДДРЪЖКА

Да се използват само аксесоари на Milwaukee и резервни части на Milwaukee. Елементи, чията подмяна не е описана, да се дават за подмяна в сервиз на Milwaukee (вижте брошурата "Гаранция и адреси на сервиси").

При необходимост можете да поискате схема на елементите на уреда при посочване на обозначение на машината и шестцифрения номер на табелката за технически данни от Вашия сервиз или директно на Techtronic Industries GmbH, Max-Eyth-Straße 10, 71364 Winnenden, Германия.

#### СИМВОЛИ



ВНИМАНИЕ! ПРЕДУПРЕЖДЕНИЕ! ОПАСНОСТ



Преди започване на каквито е да работи по машината извадете акумулатора.



Преди пускане на уреда в действие моля прочетете внимателно инструкцията за използване.



Електрическите уреди, батерии/акумулаторни батерии не трябва да се изхвърлят заедно с битовите отпадъци. Електрическите уреди и акумулаторни батерии трябва да се събират отделно и да се предават на службите за рециклиране на отпадъците според изискванията за опазване на околната среда. Информирайте се при местните служби или при местните специализирани търговци относно местата за събиране и центровете за рециклиране на отпадъци.



Европейски знак за съответствие



Британски знак за съответствие



Украински знак за съответствие



Евро-азиатски знак за съответствие

DATE TEHNICE	MAȘINĂ DE ÎNȘURUBAT INDUSTRIALĂ CU ACUMULATOR	M12 FIR14LR	M12 FIR38LR
Număr producție .....	4811 34 01.....	4811 30 01.....	4811 30 01.....
Locaș sculă.....	000001-999999.....	000001-999999.....	000001-999999.....
Viteza la mers în gol.....	1/4" (6,35 mm).....	3/8" (9,5 mm)	3/8" (9,5 mm)
Cuplu.....	0-250 min <sup>-1</sup> .....	0-200 min <sup>-1</sup>	0-200 min <sup>-1</sup>
Tensiune acumulator.....	54 Nm.....	75 Nm	75 Nm
Greutatea conform EPTA procedure 01/2014 (2,0 Ah ... 6,0 Ah).....	12 V.....	12 V	12 V
Temperatura ambiantă recomandată la efectuarea lucrărilor.....	1,13 kg ... 1,3 kg.....	1,4 kg ... 1,6 kg	1,4 kg ... 1,6 kg
Acumulatori recomandați.....	-18°C ... +50°C	M12B..	M12B..
Încărcătoare recomandate.....	C12C, M12C4, M12-18...		

#### Informație privind zgomotul/vibrațiile

Valori măsurate determinate conform EN 62841.

Nivelul de zgomot evaluat cu A al aparatului este tipic de:

Nivelul presiunii sonore (Nesiguranță K=3dB(A))..... 79,99 dB (A)..... 81,95 dB (A)

Nivelul sunetului (Nesiguranță K=3dB(A))..... 90,99 dB (A)..... 92,95 dB (A)

#### Purtați căști de protecție

Valorile totale de oscilație (suma vectorială pe trei direcții) determinate conform normei EN 62841.

Valoarea emisiei de oscilații a<sub>n</sub>

Strângerea șuruburilor și piulițelor de mărime maximă ..... 1,44 m/s<sup>2</sup>..... 2,64 m/s<sup>2</sup>

Nesiguranță K = ..... 1,5 m/s<sup>2</sup>..... 1,5 m/s<sup>2</sup>

#### AVERTISMENT

Nivelul vibrației și emisiei de zgomot indicat în această fișă informativă a fost măsurat în conformitate cu o metodă standard de testare specificată în EN 62841 și se poate utiliza pentru a compara dispozitivele între ele. Acesta se poate utiliza și într-o evaluare preliminară a expunerii.

Nivelul declarat al vibrației și emisiei sonore reprezintă principalele aplicații ale dispozitivului. Cu toate acestea, dacă dispozitivul este utilizat pentru aplicații diferite, cu accesorii diferite sau întreținute necorespunzător, emisia de vibrații și zgomote poate diferi. Acest lucru poate crește semnificativ nivelul expunerii pe întreaga perioadă de lucru.

O estimare a nivelului de expunere la vibrații și zgomot ar trebui să țină cont și de momentele în care dispozitivul este oprit sau când funcționează, dar nu realizează de fapt nicio lucrare. Acest lucru poate reduce semnificativ nivelul expunerii pe întreaga perioadă de lucru.

Identificați măsuri de siguranță suplimentare pentru a proteja operatorul de efectele vibrațiilor și/sau zgomotului, cum ar fi: întreținerea dispozitivului și a accesoriilor, menținerea caldă a mâinilor, organizarea modelelor de lucru.

**AVERTISMENT A se citi toate avertismentele, instrucțiunile, ilustrațiile și specificațiile privind siguranța furnizate cu această unealtă electrică.** Nerespectarea tuturor instrucțiunilor listate mai jos poate cauza șocuri electrice, incendii și/sau vătămări corporale grave.

#### INSTRUCȚIUNI DE SIGURANȚĂ PENTRU MAȘINILE DE ÎNȘURUBAT:

**Țineți aparatul de mânerle izolate atunci când executați lucrări la care șurubul ar putea atinge cabluri de curent ascunse.** Contactul șurubului cu un conductor prin care circulă curent electric poate pune sub tensiune componente metalice ale aparatului, provocând electrocutare.

**Purtați aparatoare de urechi.** Expunerea la zgomot poate produce pierderea auzului.

#### INSTRUCȚIUNI SUPLIMENTARE DE SIGURANȚĂ ȘI DE LUCRU

Folosiți echipament de protecție . Purtați întotdeauna ochelari de protecție când lucrați cu mașina . Se recomandă utilizarea hainelor de protecție ca de ex. Măști contra prafului, mănuși de protecție, încălțăminte stabilă nealunecoasă, cască și aparatoare de urechi.

Praful care apare când se lucrează cu această sculă poate fi dăunător sănătății și prin urmare nu trebuie să atingă corpul. Purtați o mască de protecție corespunzătoare împotriva prafului.

Nu se admite prelucrarea unui material care poate pune în pericol sănătatea operatorului (de exemplu azbestul).

La blocarea sculei demontabile vă rugăm să deconectați imediat aparatul! Nu conectați aparatul atâta timp cât scula demontabilă este blocată; dacă o faceți, s-ar putea să se producă un recul cu un cuplu mare de reacție. Găsiți și remediați cauza de blocare a sculei demontabile respectând indicațiile pentru siguranță.

Cauzele posibile pot fi:

- Agățarea în piesa de prelucrat
- Străpungerea materialului de prelucrat
- Suprasolicitarea sculei electrice

Nu atingeți părțile mașinii aflate în rotație.

Scula introdusă poate să devină fierbinte în timpul utilizării.

**AVERTISMENT!** Pericol de arsuri

- la schimbarea sculei
- la depunerea aparatului

Rumegușul și spanul nu trebuie îndepărtate în timpul funcționării mașinii.

Când se lucrează pe pereți, tavan sau dușumea, aveți grijă să evitați cablurile electrice și țevile de gaz sau de apa.

Asigurați piesa de prelucrat cu un dispozitiv de fixare. Piese neasigurate pot provoca accidentări grave și stricăciuni.

Îndepărtați acumulatorul înainte de începerea lucrului pe mașina Nu aruncați acumulatorii uzați la containerul de reziduri menajere și nu îi ardeți. Milwaukee Distributors se oferă să recupereze acumulatorii vechi pentru protecția mediului înconjurător.

Nu depozitați acumulatorul împreună cu obiecte metalice (risc de scurtcircuit)

Folosiți numai încărcătoare System M12 pentru încărcarea acumulatorilor System M12 . Nu folosiți acumulatori din alte sisteme.

Nu deschideți niciodată acumulatorii și încărcătoarele și păstrați-le numai în încăperi uscate. Pastrați-le întotdeauna uscate .

Acidul se poate scurge din acumulatorii deteriorați la încălziri sau temperaturi extreme. În caz de contact cu acidul din acumulator, spălați imediat cu apă și săpun. În caz de contact cu ochii, clătiți cu atenție timp de cel puțin 10 minute și apelați imediat la îngrijire medicală.

**Avertizare!** Pentru a reduce pericolul unui incendiu i evitarea r/ niriilor sau deteriorarea produsului în urma unui scurtcircuit nu imersai scula, acumulatorul de schimb sau încr/torul în lichide i asigurați-v/ s/ nu p/trund/ lichide în aparate i acumulatori. Lichidele corosive sau cu conductibilitate, precum apa s/rat/, anumite substane chimice i în/lbitori sau produse ce conin în/lbitori, pot provoca un scurtcircuit.

#### CONDITII DE UTILIZARE SPECIFICATE

Mașina de înșurubat industrială cu acumulator poate fi utilizată în mod universal pentru strângerea și desfacerea șuruburilor și piulițelor independent de existența unui bransament electric.

Nu utilizați acest produs în alt mod decât cel stabilit pentru utilizare normală

#### DECLARAȚIE DE CONFORMITATE

În calitate de producător declarăm pe propria răspundere că produsul descris la "Date tehnice" este în concordanță cu toate prevederile legale relevante ale Directivelor 2011/65/UE (RoHS), 2014/30/UE, 2006/42/CE, precum și ale următoarelor norme armonizate:

EN 62841-1:2015

EN 62841-2-2:2014

EN 55014-1:2017+A11:2020

EN 55014-2:2015

EN IEC 63000:2018

Winnenden, 2020-12-02

*Alexander Krug*

Alexander Krug  
Managing Director



Împuternicit să elaboreze documentația tehnică.

Techtronic Industries GmbH  
Max-Eyth-Straße 10  
71364 Winnenden  
Germany

#### ACUMULATORI

Acumulatorii care nu au fost utilizați o perioadă de timp trebuie reîncărcați înainte de utilizare.

Temperatura mai mare de 50°C (122°F) reduce performanța acumulatorului. Evitați expunerea prelungită la căldură sau radiație solară (risc de supraîncălzire)

Contactele încărcătoarelor și acumulatorilor trebuie păstrate curate.

Pentru o durabilitate optimă, acumulatorii trebuie reîncărcați complet după folosire.

Pentru o durată de viață cât mai lungă, acumulatorii ar trebui scoși din încărcător după încărcare.

La depozitarea acumulatorilor mai mult de 30 zile: Acumulatorii se depozitează la cca. 27°C și la loc uscat. Acumulatorii se depozitează la nivelul de încărcare de cca. 30%-50%.

Acumulatorii se încarcă din nou la fiecare 6 luni.

#### PROTECȚIE SUPRAÎNCĂRCARE ACUMULATOR

În caz de supraîncărcare a acumulatorului prin consum foarte ridicat de curent, de ex. cupluri mecanice extrem de mari, înțepenia burghiului, întrerupere bruscă sau scurtcircuit, unealta electrică produce timp de 2 secunde un zgomot înfundat, după care se decuplează de la sine.

În vederea recuplării, dați drumul butonului de comutare, iar apoi efectuați o nouă cuplare.

În condiții de încălziri extreme, acumulatorul se poate încălzi peste măsură. În acest caz, acumulatorul se decuplează. Pentru a-l reîncărca și activa, puneți acumulatorul în în aparatul de încărcare.

#### TRANSPORTUL ACUMULATORILOR CU IONI DE LITIU

Acumulatorii cu ioni de litiu cad sub incidența prescripțiilor legale pentru transportul de mărfuri periculoase.

Transportul acestor acumulatori trebuie să se efectueze cu respectarea prescripțiilor și reglementărilor pe plan local, național și internațional.

- Consumatorilor le este permis transportul rutier nerestricționat al acestui tip de acumulatori.
- Transportul comercial al acumulatorilor cu ioni de litiu prin intermediul firmelor de expediție și transport este supus reglementărilor transportului

de mărfuri periculoase. Pregătirile pentru expediție și transportul au voie să fie efectuate numai de către personal instruit corespunzător. Întregul proces trebuie asistat în mod competent.

Următoarele puncte trebuie avute în vedere la transportul acumulatorilor:

- Pentru a se evita scurtcircuite, asigurați-vă de faptul că sunt protejate și izolate contactele.
- Aveți grijă ca pachetul de acumulatori să nu poată aluneca în altă poziție în interiorul ambalajului său.
- Este interzis transportarea unor acumulatori deteriorați sau care pierd lichid.

Pentru indicații suplimentare adresați-vă firmei de expediție și transport cu care colaborați.

#### INTREȚINERE

Utilizați numai accesorii și piese de schimb Milwaukee. Dacă unele din componente care nu au fost descrise trebuie înlocuite , vă rugăm contactați unul din agenții de service Milwaukee (vezi lista noastră pentru service / garanție)

Dacă este necesar, puteți solicita de la centrul dvs. de service pentru clienți sau direct la Techtronic Industries GmbH, Max-Eyth-Straße 10, 71364 Winnenden, Germania un desen descompus al aparatului prin indicarea tipului de aparat și a numărului cu șase cifre de pe tablăta indicatoare.

#### SIMBOLURI



PERICOL! AVERTIZARE! ATENȚIE!



Îndepărtați acumulatorul înainte de începerea lucrului pe mașina



Va rugăm citiți cu atenție instrucțiunile înainte de pomirea mașinii



Aparatele electrice, bateriile/acumulatorii nu se elimină împreună cu deșeurile menajere. Aparatele electrice și acumulatorii se colectează separat și se predau la un centru de reciclare, în vederea eliminării ecologice. Informații-vă de la autoritățile locale sau de la comercianții acreditați în legătură cu centrele de reciclare și de colectare.



Marcă de conformitate europeană



Marcă de conformitate britanică



Marcă de conformitate ucraineană



Marcă de conformitate eurasiatică



ТЕХНИЧКИ ПОДАТОЦИ	ИНДУСТРИСКА БОР-МАШИНА СО БАТЕРИЈА	M12 FIR14LR	M12 FIR38LR
Произведен број.....	4811 34 01.....	4811 30 01.....	4811 30 01.....
Глава на алатот.....	000001-999999.....	000001-999999.....	000001-999999.....
Брзина без оптоварување.....	1/4" (6,35 mm).....	3/8" (9,5 mm).....	3/8" (9,5 mm).....
Спрега торк.....	0-250 min <sup>-1</sup> .....	0-200 min <sup>-1</sup> .....	0-200 min <sup>-1</sup> .....
Волтажа на батеријата.....	54 Nm.....	75 Nm.....	75 Nm.....
Тежина според ЕПТА-процедурата 01/2014 (2,0 Ah ... 6,0 Ah).....	12 V.....	12 V.....	12 V.....
Препорачана температура на околината при работа.....	1,13 kg ... 1,3 kg.....	1,4 kg ... 1,6 kg.....	1,4 kg ... 1,6 kg.....
Препорачани типови на акумулаторски батерии.....	-18°C ... +50°C.....	M12B.....	M12B.....
Препорачани полначи.....	C12C, M12C4, M12-18...		

### Информација за бучавата/вибрациите

Измерените вредности се одредени согласно стандардот EN 62841.

A-оценетото ниво на бучава на апаратот типично изнесува:

Ниво на звучен притисок. (Несигурност K=3dB(A))..... 79,99 dB (A)..... 81,95 dB (A)

Ниво на јачина на звук. (Несигурност K=3dB(A))..... 90,99 dB (A)..... 92,95 dB (A)

### Носте штитник за уши.

Вкупни вибрациски вредности (векторски збир на трите насоки)

пресметани согласно EN 62841.

Вибрациска емисиона вредност a<sub>b</sub>

Навлекување на навртки и завртки со максимална големина..... 1,44 m/s<sup>2</sup>..... 2,64 m/s<sup>2</sup>

Несигурност K =..... 1,5 m/s<sup>2</sup>..... 1,5 m/s<sup>2</sup>

### ПРЕДУПРЕДУВАЊЕ

Нивото на вибрации и емисија на бучава дадени во овој информативен лист се измерени во согласност со стандардизиран метод на тестирање даден во EN 62841 и може да се користат за споредување на еден електричен алат со друг. Тие исто така може да се користат при првична проценка на изложеност.

Наведеното ниво на вибрации и емисија на бучава ја претставува главната примена на алатот. Сепак ако алатот се користи за поинакви примени, со поинаков прибор или лошо се одржува, вибрациите и емисијата на бучава може да се разликуваат. Тоа може значително да го зголеми нивото на изложеност преку целиот работен период.

Проценка на нивото на изложеност на вибрации и бучава треба исто така да се земе предвид кога е исклучен алатот или кога е вклучен, но не врши никаква работа. Тоа може значително да го намали нивото на изложеност преку целиот работен период.

Утврдете дополнителни безбедносни мерки за да се заштити операторот од ефектите на вибрациите и/или бучавата како на пр.: одржувајте го алатот и приборот, рацете нека ви бидат топли, организација на работните шеми.

**⚠ ПРЕДУПРЕДУВАЊЕ! Прочитајте ги сите безбедносни упатства, инструкции, илустрации и спецификации за овој електричен алат.** Недоследно почитување на подолу наведените упатства може да предизвика електричен удар, пожар и/или сериозни повреди.

### ⚠ БЕЗБЕДНОСНИ НАПОМЕНИ ЗА ЗАШТРАФУВАЊЕ:

При реализација на работи, при кои завртката може да погоди сокриени водови на струја, држете го апаратот на изолираните површини за држење. Контактот на навртката со вод под напон може да ги стави металните делови од апаратот под напон и да доведе до електричен удар.

Носете штитник за уши. Изложеноста на бука може да предизвика губење на слухот.

### ОСТАНАТИ БЕЗБЕДНОСНИ И РАБОТНИ УПАТСТВА

Употребувајте заштитна опрема. При работа со машината постојано носете заштитни очила. Се препорачува заштитна облека како: маска за заштита од прашина, заштитни ракавици, цврсти чевли што не се лизгаат, кацига и заштита за уши.

Пршината која се создава при користење на овој алат може да биде штетна по здравјето. Не ја вдишувајте. Носете соодветна заштитна маска.

Не смеат да бидат обработувани материјали кои што можат да го загорзат здравјето (на пр. азбест).

Доколку употребуваното орудие се блокира, молиме веднаш да се исклучи апаратот! Не го вклучувајте апаратот повторно додека употребуваното орудие е блокирано, притоа би можело да дојде до повратен удар со висок момент на реакција. Испитајте и отстранете ја причината за блокирањето на употребеното орудие имајќи ги во предвид напоните за безбедност.

Можни причини би можеле да се:

- Закантување во парчето кое што се обработува
- Кршење поради продирање на материјалот кој што се обработува
- Преоптоварување на електричното орудие

Не фаќајте во машината кога работи.

Употребеното орудие за време на примената може да стане многу жешко.

**ПРЕДУПРЕДУВАЊЕ!** Опасност од изгоретини

- при менување на орудие
- при ставање на апаратот на страна

Прашината и струготините не смеат да се одстрануваат додека е машината работи.

Кога работите на сидови, таван или под внимавајте да ги избегнете електричните, гасните и водоводни инсталации.

Обезбедете го предметот кој што го обработувате со направа за напон. Необезбедени парчиња кои што се обработуваат можат да предизвикаат тешки повреди и оштетувања.

Извадете го батерискиот склоп пред отпочнување на каков и да е зафат врз машината.

Не ги оставајте искористените батерии во домашниот отпад и не горете ги. Дистрибутерите на Милвоки ги собираат старите батерии, со што ја штитат нашата околина.

Не ги чувајте батериите заедно со метални предмети (ризик од краток спој).

Користете исклучиво Систем M12 за полнење на батерии од M12 систем. Не користете батерии од друг систем.

Не ги отворајте насилно батериите и полначите, и чувајте ги само на суво место. Чувајте ги постојано суви.

Киселината од оштетените батерии може да истече при екстреман напон или температури. Доколку дојдете во контакт со исатата, измијте се веднаш со сапун и вода. Во случај на контакт со очите плакнете ги убаво најмалку 10 минути и задолжително одете на лекар.

**Предупредување!** За да избегнете опасност од пожар, од наранувања или од оштетување на производот, коишто ги создава краток спој, не ја потопувајте во течност алатката, заменливата батерија или полначот и пазете во уредите и во батериите да не проникнуваат течности. Корозивни или електропроводливи течности, како солена вода, одредени хемикалии, изобелувачки препарати или производи кои содржат изобелувачки супстанции, можат да предизвикаат краток спој.

### СПЕЦИФИЦИРАНИ УСЛОВИ НА УПОТРЕБА

Индустриската бор-машина со батерија може универзално да се применува како за прицврстување така и за одвртување на штрафови и мутери независно од тоа дали има приклучок за струја.

Не го користете овој производ на било кој друг начин освен пропишаниот за нормална употреба.

### ЕУ-ДЕКЛАРАЦИЈА ЗА СООБРАЗНОСТ

Како производител, изјавуваме под целосна одговорност дека „Техничките податоци“ подолу го опишуваат производот со сите релевантни одредби од регулативите 2011/65/EU (RoHS), 2014/30/EU, 2006/42/EU и се усогласени со следниве хармонизирани регулаторни документи:

EN 62841-1:2015

EN 62841-2-2:2014

EN 55014-1:2017+A11:2020

EN 55014-2:2015

EN IEC 63000:2018

Winnenden, 2020-12-02

*Alexander Krug*

Alexander Krug  
Managing Director



Опномоштен за составување на техничката документација.

Teclontronic Industries GmbH  
Max-Eyth-Straße 10  
71364 Winnenden  
Germany

### БАТЕРИИ

Подолг период неупотребувани комплекти батерии да се наполнат пред употреба.

Температура повисока од 50°C (122°F) го намалуваат траењето на батериите. Избегнувајте подолго изложување на батериите на високи температури или сонце (ризик од прегревање).

Клемтите на полначот и батериите мора да бидат чисти.

За оптимален работен век, по употреба батериите мора да бидат целосно наполнети.

За можно подолг век на траење, апаратите после нивното полнење треба да бидат извадени од апаратот за полнење на батериите.

Во случај на складирање на батеријата подолго од 30 дена: Акумулаторот да се чува на температура од приближно 27°C и на суво место.

Акумулаторот да се складира на приближно 30%-50% од состојбата на наполнетост.

Акумулаторот повторно да се наполни на секои 6 месеци.

### ЗАШТИТА ОД ПРЕОПТЕРЕТУВАЊЕ НА БАТЕРИЈАТА

При преоптоварување на батеријата со многу висока потрошувачка на струја, на пример екстремно високи вртежни моменти, заглавување на дупчалката, ненадејно запирање или краток спој, електро-уредот бучи 2 секунди, а потоа самостојно се гаси.

За повторно вклучување ослободете го прекинувачот и вклучете повторно.

Во случај на екстремни оптоварувања батеријата може да загрее многу. Во таков случај батеријата исклучува.

Тогаш ставете ја батеријата во уредот за полнење за повторно да ја напоните и активирате.

### ТРАНСПОРТ НА ЛИТИУМ-ЈОНСКИ БАТЕРИИ

Литиум-јонските батерии подлежат на законските одредби за транспорт на опасни материи.

Транспортот на овие батерии мора да се врши согласно локалните, националните и меѓународните прописи и одредби.

- Потрошувачите на овие батерии може да вршат непречен патен транспорт на истите.

- Комерцијалниот транспорт на литиум-јонски батерии од страна на шпедитерски претпријатија подложни на одредбите за транспорт на опасни материи. Подготовките за шпедиција и транспорт треба да ги вршат исклучиво соодветно обучени лица. Целокупниот процес треба да биде стручно надгледуван.

При транспортот на батерии треба да се внимава на следното:

- Осигурајте се дека контактите се заштитени и изолирани, а сето тоа со цел да се избегнат кратки споеви.
- Внимавајте да не дојде до измествување на батериите во нивната амбалажа.
- Забранет е транспорт на оштетени или протечени литиум-јонски батерии.

За понатамошни инструкции обратете се до Вашето шпедитерско претпријатие.

### ОДРЖУВАЊЕ

Користете само Milwaukee додатоци и резервни делови. Доколку некои од компонентите кои не се опишани треба да бидат заменети, Ве молиме контактирајте ги сервисните агенти на Milwaukee (консултирајте ја листата на адреси).

При потреба може да се побара експлозионен цртеж на апаратот со наведување на машинскиот тип и шестоцифрениот број на табличката со учинокот или во Вашата корисничка служба или директно кај Teclontronic Industries GmbH, Max-Eyth-Straße 10, 71364 Winnenden, Германија.

### СИМБОЛИ

	ВНИМАНИЕ! ПРЕДУПРЕДУВАЊЕ! ОПАСНОСТ!
	Извадете го батерискиот склоп пред отпочнување на каков и да е зафат врз машината.
	Ве молиме пред да ја стартувате машината обрнете внимание на упатствата за употреба.
	Електричните апарати и батериите што се полнат не смеат да се фрлат заедно со домашниот отпад. Електричните апарати и батериите треба да се собираат одделно и да се однесат во соодветниот погон заради нивно фрлање во склад со начелата за заштита на околината. Информирајте се кај Вашите местни служби или кај специјализираниот трговски претставник, каде има такви погони за рециклажа и собирање станици.
	Европска ознака за сообразност
	Британска ознака за сообразност
	Украинска ознака за сообразност
	Евроазиска ознака за сообразност

ТЕХНІЧНІ ХАРАКТЕРИСТИКИ АКУМУЛЯТОРНИЙ УДАРНИЙ ГВИНТОКРУТ	M12 FIR14LR	M12 FIR38LR
Номер виробу.....	4811 34 01.....	4811 30 01.....
Затискач інструмента.....	...000001-999999	...000001-999999
Кількість обертів холостого ходу.....	1/4" (6,35 mm).....	3/8" (9,5 mm)
Крутильний момент.....	0-250 min <sup>-1</sup>	0-200 min <sup>-1</sup>
Напряга змінної акумуляторної батареї.....	54 Nm	75 Nm
Вага згідно з процедурою EPTA 01/2014 (4,0 Ah) (2,0 Ah ... 6,0 Ah).....	12 V	12 V
Рекомендована температура довгівля під час роботи.....	1,13 kg ... 1,3 kg.....	1,4 kg ... 1,6 kg
Рекомендовані типи акумуляторів.....	-18°C ... +50°C	
Рекомендовані зарядні пристрої.....	M12B...	
	C12C, M12C4, M12-18...	

### Шум / інформація про вібрацію

Виміряні значення визначені згідно з EN 62841.

Рівень шуму "А" приладу становить в типовому випадку:

Рівень звукового тиску (похибка K = 3 дБ(А))..... 79,99 dB (A)..... 81,95 dB (A)

Рівень звукової потужності (похибка K = 3 дБ(А))..... 90,99 dB (A)..... 92,95 dB (A)

### Використовувати засоби захисту органів слуху!

Сумарні значення вібрації (вектора сум трьох напрямків), встановлені згідно з EN 62841.

Затягнення гвинтів та гайок максимального розміру

Значення вібрації a<sub>h,d</sub>..... 1,44 m/s<sup>2</sup>..... 2,64 m/s<sup>2</sup>

похибка K = ..... 1,5 m/s<sup>2</sup>..... 1,5 m/s<sup>2</sup>

### ПОПЕРЕДЖЕННЯ

Заявлені значення шумового випромінювання, вказані в цьому інформаційному аркуші, було виміряно відповідно до стандартизованого випробування згідно з EN 62841 та можуть використовуватися для порівняння одного інструмента з іншим. Вони також можуть використовуватися для попередньої оцінки рівня впливу на організм.

Вказані значення вібрації та шумового випромінювання дійсні для основних областей застосування інструмента. Якщо інструмент використовується в інших областях застосування чи з іншим приладдям або не проходить належне обслуговування, значення вібрації та шумового випромінювання можуть відрізнятися. Це може суттєво збільшити рівень впливу на організм протягом загального періоду роботи.

Під час оцінки рівня впливу вібрації та шумового випромінювання на організм також необхідно враховувати періоди, коли інструмент вимкнено, чи коли він працює, але фактично не використовується для виконання роботи. Це може суттєво знизити рівень впливу на організм протягом загального періоду роботи.

Визначте додаткові заходи для захисту оператора від впливу вібрації та/або шуму, наприклад, обслуговування інструмента та його приладдя, зберігання рук у теплі, організація графіків роботи.

**⚠ УВАГА! Ознайомитись з усіма попередженнями з безпечного використання, інструкціями, ілюстраціями матеріалом та технічними характеристиками, які надаються з цим електричним інструментом.** Недотримання всіх наведених нижче інструкцій може призвести до ураження електричним струмом, пожежі та/або важких травм.

### ⚠ ВКАЗІВКИ З ТЕХНІКИ БЕЗПЕКИ ДЛЯ УДАРНОГО ГВИНТОКРУТА

**Тримайте пристрій за ізольовані поверхні ручок, коли виконуєте роботу, під час якої гвинт може наштовхнутися на приховані електропроводи.** Контакт гвинта з проводом під напругою може сприяти виникненню напруги на металевих деталях пристрою та призвести до ураження електричним струмом.

**Користуйтеся засобами захисту органів слуху.** Вплив шуму може спричинити втрату слуху.

### ДОДАТКОВІ ІНСТРУКЦІ З ТЕХНІКИ БЕЗПЕКИ ТА ЕКСПЛУАТАЦІЇ

Використовуйте індивідуальні засоби захисту. Під час роботи з машиною завжди носіть захисні окуляри. Радимо використовувати захисний одяг, як наприклад маску для захисту від пилу, захисні рукавиці, міцне та нековзне взуття, каску та засоби захисту органів слуху.

Пил, що утворюється під час роботи, часто буває шкідливим для здоров'я; він не повинен потрапляти в організм. Носіть відповідну маску для захисту від пилу.

Не можна обробляти матеріали, небезпечні для здоров'я (наприклад, азбест).

При блокуванні вставного інструменту негайно вимкніть прилад! Не вмикайте прилад, якщо вставний інструмент заблокований; при цьому може виникати віддача з високим зворотнім моментом. Визначити та усунути причину блокування вставного інструменту з урахуванням вказівок з техніки безпеки.

Можливі причини:

- Перекис в заготовці, що обробляється
- Пробивання оброблюваного матеріалу

- Перевантаження електроінструмента

Частина тіла не повинні потрапляти в машину, коли вона працює.

Вставний інструмент може нагріватися під час роботи.

### ПОПЕРЕДЖЕННЯ! Небезпека опіків

- при заміні інструменту
- при відкладанні приладу

Не можна видаляти стружку або уламки, коли машина працює.

Під час роботи на стінах, стелях або підлозі звертати увагу на електричні кабелі, газові та водопровідні лінії.

Зафіксувати заготовку в затискному пристрої. Незакріплені заготовки можуть привести до тяжких травм та пошкоджень.

Перед будь-якими роботами на машині вийняти змінну акумуляторну батарею

Відпрацьовані знімі акумуляторні батареї не можна кидати у вогонь або викидати з побутовими відходами. Milwaukee пропонує утилізацію старих знімних акумуляторних батарей, безпечно для довкілля; зверніться до свого дилера.

Не зберігати знімі акумуляторні батареї разом з металевими предметами (небезпека короткого замикання).

Знімі акумуляторні батареї системи M12 заряджати лише зарядними пристроями системи M12. Не заряджати акумуляторні батареї інших систем.

Не відкривати знімі акумуляторні батареї і зарядні пристрої та зберігати їх лише в сухих приміщеннях. Беріть від вологі.

При екстремальному навантаженні або при екстремальній температурі з пошкодженої змінної акумуляторної батареї може витікати електроліт. При потрапленні електроліту на шкіру його негайно необхідно змити водою з милом. При потрапленні в очі їх необхідно негайно ретельно промити, щонайменше 10 хвилин, та негайно звернутися до лікаря.

**Попередження!** Для запобігання небезпеці пожежі в результаті короткого замикання, травмам і пошкодженню виробів не занурюйте інструмент, змінний акумулятор або зарядний пристрій у рідину і не допускайте потраплення рідини всередину пристроїв або акумуляторів.

Корозійні і струмопровідні рідини, такі як солоний розчин, певні хімікати, вибілювальні засоби або продукти, що їх містять, можуть призвести до короткого замикання.

### ВИКОРИСТАННЯ ЗА ПРИЗНАЧЕННЯМ

Акумуляторний промисловий гвинтокрут можна використовувати універсально для пригвинчування та відгвинчування гвинтів та гайок незалежно від мережевого живлення.

Цей прилад можна використовувати тільки за призначенням так, як вказано в цьому документі.

### СЕРТИФІКАТ ВІДПОВІДНОСТІ ВИМОГАМ ЄС

Як виробник, ми заявляємо на власну відповідальність, що виріб, описаний у "Технічних даних", відповідає всім застосовним положенням директив 2011/65/EU (RoHS), 2014/30/EU, 2006/42/EG, та наступним гармонізованим нормативним документам:

EN 62841-1-2:2015  
EN 62841-2-2:2014  
EN 55014-1:2017+A11:2020  
EN 55014-2:2015  
EN IEC 63000:2018

Winnenden, 2020-12-02



Alexander Krug  
Managing Director



Уповноважений із складання технічної документації.

Techtronic Industries GmbH  
Max-Eyth-Straße 10  
71364 Winnenden  
Germany

### АКУМУЛЯТОРНІ БАТАРЕЇ

Знімну акумуляторну батарею, що не використовувалася тривалий час, перед використанням необхідно підзарядити.

Температура понад 50 °C зменшує потужність змінної акумуляторної батареї. Уникати тривалого нагрівання сонячними променями або системою обігріву.

З'єднувальні контакти зарядного пристрою та змінної акумуляторної батареї повинні бути чистими.

Для забезпечення оптимального строку експлуатації акумуляторні батареї після використання необхідно повністю зарядити.

Для забезпечення максимально можливого терміну експлуатації акумуляторні батареї після зарядки необхідно виймати з зарядного пристрою.

При зберіганні акумуляторної батареї понад 30 днів: Зберігати акумуляторну батарею при температурі приблизно 27 °C в сухому місці.

Зберігати акумуляторну батарею в стани зарядки приблизно 30-50 %. Кожні 6 місяців заново заряджати акумуляторну батарею.

### ЗАХИСТ АКУМУЛЯТОРНОЇ БАТАРЕЇ ВІД ПЕРЕВАНТАЖЕННЯ

У випадку перевантаження акумуляторної батареї внаслідок дуже високого споживання струму, наприклад, надмірно високого крутильного моменту, заклинювання свердла, ралтової зупинки або короткого замикання, електроінструмент віброє 5 секунд, індикатор заряду блимає, електроінструмент самостійно вимикається. Для повторного увімкнення відпустити кнопку вимикача і знов увімкнути.

При надмірних навантаженнях акумуляторна батарея сильно перегрівается. В цьому випадку всі лампочки індикатора заряду блимають, доки акумуляторна батарея не охолоне. Можна продовжити роботу після того, як індикатор заряду згасне.

### ТРАНСПОРТУВАННЯ ЛІТІЙ-ІОННИХ АКУМУЛЯТОРНИХ БАТАРЕЙ

Літій-іонні акумуляторні батареї підпадають під заборону про перевозження небезпечних вантажів.

Транспортування таких акумуляторних батарей повинно відбуватися із дотриманням місцевих, національних та міжнародних приписів та положень.

- Споживачі можуть без проблем транспортувати ці акумуляторні батареї по вулиці.
- Комерційне транспортування літій-іонних акумуляторних батарей експедиторськими компаніями підпадає під положення про транспортування небезпечних вантажів. Підготовку до відправлення та транспортування можуть здійснювати виключно особи, які пройшли відповідне навчання. Весь процес повинні контролювати кваліфіковані фахівці.

При транспортуванні акумуляторних батарей необхідно дотримуватись зазначених далі пунктів:

- Переконайтесь в тому, що контакти захищені та ізольовані, щоб запобігти короткому замиканню.
- Слідкуйте за тим, щоб акумуляторна батарея не переміщувалася всередині упаковки.
- Пошкоджені акумуляторні батареї, або акумуляторні батареї, що потекли, не можна транспортувати.










Для отримання подальших вказівок звертайтеся до своєї експедиторської компанії.

### ОБСЛУГОВУВАННЯ

Використовувати тільки комплектуючі та запчастини Milwaukee. Деталі, заміна яких не описується, замінювати тільки в відділі обслуговування клієнтів Milwaukee (зверніть увагу на брошуру "Гарантія / адреси сервісних центрів").

У разі необхідності можна запросити креслення з зображенням вузлів машини в перспективному вигляді, для цього потрібно звернутися в ваш відділ обслуговування клієнтів або безпосередньо в Techtronic Industries GmbH, Max-Eyth-Straße 10, 71364 Winnenden, Німеччина, та вказати тип машини та шестизначний номер на фірмовій табличці з даними машини.

### СИМВОЛИ

	УВАГА! ПОПЕРЕДЖЕННЯ! НЕБЕЗПЕЧНО!
	Перед будь-якими роботами на машині вийняти змінну акумуляторну батарею
	Уважно прочитайте інструкцію з експлуатації перед введенням приладу в дію.
	Електроприлади, батареї/акумулятори заборонено утилізувати разом з побутовим сміттям.
	Електричні прилади і акумулятори слід збирати окремо і здавати в спеціалізовану компанію для утилізації відповідно до норм охорони довкілля. Зверніться до місцевих органів або до вашого дилера, щоб отримати адреси пунктів вторинної переробки та пунктів прийому.
	Європейський знак відповідності
	Британський знак відповідності
	Український знак відповідності
	Євразійський знак відповідності





البيانات الفنية	مفك براغي كهربي لاسلكي	M12 FIR38LR	M12 FIR14LR
إنتاج عند	4811 30 01...	4811 34 01...	4811 34 01...
استقبال الآلة	...000001-999999	...000001-999999	...000001-999999
السرعة في حالة عدم وجود حمل،	1/4" (6,35 mm).....3/8" (9,5 mm)	1/4" (6,35 mm).....3/8" (9,5 mm)	1/4" (6,35 mm).....3/8" (9,5 mm)
عزم الدوران،	0-250 min <sup>-1</sup> .....0-250 min <sup>-1</sup>	0-250 min <sup>-1</sup> .....0-250 min <sup>-1</sup>	0-250 min <sup>-1</sup> .....0-250 min <sup>-1</sup>
فولطية البطارية	54 Nm.....75 Nm	54 Nm.....75 Nm	54 Nm.....75 Nm
الوزن وفقا لنهج EPTA رقم 01/2014 (Ah ... 6,0 Ah 2,0)	12 V.....12 V	12 V.....12 V	12 V.....12 V
درجة حرارة الجو المحيط المنصوح بها عند العمل	1,4 kg ... 1,6 kg	1,4 kg ... 1,6 kg	1,4 kg ... 1,6 kg
طراز البطارية المنصوح به	-18°C ... +50°C	-18°C ... +50°C	-18°C ... +50°C
أجهزة الشحن المنصوح بها	M12B.....	M12B.....	M12B.....
	C12C, M12C4, M12-18.....	C12C, M12C4, M12-18.....	C12C, M12C4, M12-18.....

#### معلومات الضوضاء/الذبذبات

القيم التي تم قياسها محددة وفقا للمعايير الأوروبية EN 62841 مستويات ضوضاء الجهاز، ترجيحاً بشكل نمذجي كالتالي: مستوى ضغط الصوت (الارتباب في القياس = 3 ديسيبل (A)) مستوى شدة الصوت (الارتباب في القياس = 3 ديسيبل (A))

#### ارتد واهيات الأذن!

قيم الذبذبات الإجمالي (مجموع الكميات الموجبة في المحاور الثلاثة) محددة وفقا للمعايير الأوروبية EN 62841. قيمة انبعاث الذبذبات (a)

ربط أجزاء التثبيت لأقصى قدرة للأداة

الارتباب في القياس

2,64 m/s<sup>2</sup> ..... 1,44 m/s<sup>2</sup>  
1,5 m/s<sup>2</sup> ..... 1,5 m/s<sup>2</sup>

#### تحذير!

تم قياس مستوى الاهتزاز وانبعاث الضوضاء الوارد في ورقة المعلومات هذه، وفقاً لاختبار قياسي محدد في المواصفة EN 62841، ويمكن استخدامه لمقارنة آلة مع أخرى.. كما يمكن استخدام ذلك أيضاً في إجراء تقييم أولي للتعرض.

يمثل مستوى الاهتزاز وانبعاث الضوضاء المعن عنه الاستخدامات الأساسية للأداة. ومع ذلك، إذا استُعملت الآلة في استخدامات مختلفة، أو وملحقات مختلفة، أو تم صيانتها على نحو سيئ، فقد يختلف مستوى الاهتزاز وانبعاث الضوضاء. وهذا قد يزيد إلى حد كبير - من مستوى التعرض خلال مدة العمل الإجمالية.

عند تقييم مستوى التعرض للاهتزاز والضوضاء، ينبغي أيضاً أن يوضع في الاعتبار فترات إطفاء الآلة أو تشغيلها دون أن تقوم بأي وظيفة فعلياً. فهذا قد يقلل -إلى حد كبير- من مستوى التعرض خلال مدة العمل الإجمالية.

تعرف على تدابير السلامة الإضافية؛ لحماية المشغل من تأثيرات الاهتزاز أو الضوضاء أو كليهما، مثل: صيانة الآلة وملحقاتها، والحفاظ على دهاء اليدين، وتنظيم نماذج العمل.

**⚠ تحذير! اقرأ جميع تحذيرات الأمان والتعليمات والصور والمواصفات الواردة مع هذه المعدة الكهربائية.** المتخالف في اتباع التعليمات المذكورة أسفله قد يكون نتيجتها صدمة كهربائية، حريق و / أو إصابة بالغة.

#### ⚠ تحذيرات السلامة عند استخدام مفك البرغي.

**يجب الإمساك بالأداة الكهربائية من خلال أسطح القبض المعزولة وذلك عند العمل بعلمة ما حيث قد تلامس أداة التثبيت أسلاك مخفية.**

إن ملامسة أدوات التثبيت للأحلاك الكهربائية "الموصلة" قد يجعل الأجزاء المعدنية المكشوفة من الآلة الكهربائية "موصلة للكهرباء" وبالتالي فقد يجعل المشغل عرضة لصدمة كهربية.

**ارتد واقيات الأذن. قد يسبب التعرض للضوضاء فقدان السمع.**

#### إرشادات أمان وعمل إضافية

استخدم معدة الوقاية. ارتد دائماً نظارة الوقاية عند العمل بالأداة. ينصح باستخدام الملابس الواقية مثل الكمادات الواقية من الغبار، والقفازات، والأحذية القوية غير المنزلقة، والخوذات، وواقيات الأذن.

قد تكون الأثرية الناتجة عن استخدام هذه الآلة ضارة بالصحة. لا تستنشق هذه الأثرية. ارتد قناعاً واقياً من الأثرية مناسباً.

لا يجوز استخدام مواد ينجم عنها أضرار على الصحة (حبر صخري).

الرجاء إيقاف تشغيل الجهاز على الفور في حالة عرقلة أداة الاستعمال!

لا تقم بتشغيل الجهاز مرة أخرى، طالما أن الأداة المستعملة لا زالت في حالة عرقلة، حيث يمكن أن يحدث هنا ارتداد عكسي مصحوب بقوة رد فعل عالية.

قم بالبحث وإزالة أسباب عرقلة أداة الاستعمال مع مراعاة تعليمات الأمان.

من المحتمل أن تكون الأسباب هي:

- أندحار في القطعة المخصصة للاستعمال
- اختراق المواد المخصصة للاستعمال
- زيادة الحمل على الآلة الكهربائية

لا تلامس بيدك الماكينة أثناء دورانها.

الأداة المستخدمة قد تسخن خلال الاستخدام.

**تحذير! هناك خطر الإصابة بحروق**

- عند استبدال الأداة

إعلان المطابقة - الاتحاد الأوروبي
"بموجب هذا نقر نحن كشركة منتجة على مسؤوليتنا المنفردة، أن المنتج الموصوف تحت "البيانات الفنية" يطابق جميع التعليمات الهامة للمعايير 2011/65EU(RoHS), 2014/30/EU, 2006/42/EG ومع مستندات التوافق المعياري التالية:"
EN 62841-1:2015
EN 62841-2-2:2014
EN 55014-1-2017+A11:2020
EN 55014-2:2015
EN IEC 63000:2018

Winnenden, 2020-12-02

  
Alexander Krug  
Managing Director

معمتدة للمطابقة مع الملف الفني  
Techronic Industries GmbH  
Max-Eyth-Straße 10  
Winnenden 71364  
Germany

#### البطاريات

يجب إعادة شحن البطارية غير المستخدمة لفترة قبل الاستخدام.

تقل درجات الحرارة التي تتجاوز 50°سيلزيوس (122°فهرنهايت) من أداء البطارية. تجنب التعرض الزائد للحرارة أو أشعة الشمس (خطر التسخين)..

يجب الحفاظ على محتويات الشواحن و البطاريات نظيفة.

للحصول على فترة استخدام مثالية، يجب شحن البطاريات تماماً، بعد الاستخدام.

للحصول على أطول عمر ممكن للبطارية، انزع البطارية من الشاحن بمجرد شحنها تماماً.

لتخزين البطارية أكثر من 30 يوم:

خزن البطارية بحيث تكون درجة الحرارة أقل من 27° سيلزيوس وبعيدا عن أي رطوبة خزن البطارية مشحونة بنسبة تتراوح بين 30-50 %

اشحن البطارية كامتعاد، وذلك كل ستة أشهر من التخزين.

#### حماية البطارية

في المواقف التي يكون فيها عزم الدوران عالي بشدة، وإعاقة الحركة والتباطؤ في الصور في الدائرة الكهربائية الذي ينتج عنه سحب لعدد كبير من التيار الكهربائي، ستهيئز الآلة لمدة 2 ثانية ثم تتوقف عن العمل.

لإعادة الضبط حرر الزناد.

في الظروف القصوى للعمل، قد ترتفع درجة حرارة البطارية الداخلية بشدة. إذا ما حدث ذلك، ستتوقف البطارية عن العمل.

ضع البطارية على الشاحن للشحن ثم أعد ضبطها.

#### نقل بطاريات الليثيوم

تخضع بطاريات الليثيوم أيون لشروط قوانين نقل السلع الخطرة.

ويجب نقل هذه البطاريات وفقاً للأحكام والقوانين المحلية والوطنية والدولية.

- يمكن للمستخدم نقل البطاريات براً دون الخضوع لشروط أخرى.

• يخضع النقل التجاري لبطاريات الليثيوم أيون عن طريق الغير إلى قوانين نقل السلع الخطرة. يتعين أن يقوم أفراد مديون جيداً بالإعداد لعملية النقل والقيام بها بصحبة خبراء مثلهم.

متى تُنقل البطاريات:

- عند التأكد من حماية أطراف توصيل البطارية وعزلها تجنباً لحدوث قصر بالدارة.

• عند التأكد من حماية حزمة البطارية من الحركة داخل صندوق التعبئة.

- يُرجى عدم نقل البطاريات التي بها تشققات أو تسربات.

يُرجى البحث مع شركة الشحن عن نصيحة أخرى

#### الصيانة

استخدم فقط ملحقات ميلوكي وكذلك قطع غيار ميلوكي. إذا كانت المكونات التي يجب تغييرها غير مذكورة، يرجى الاتصال بأحد عملاء صيانة ميلوكي (انظر قائمة عناوين الضمان/الصيانة الخاصة بنا).

عند الحاجة يمكن طلب رمز انفجار الجهاز بعد ذكر طراز الآلة والرقم السداسي المذكور على بطاقة طاقة الآلة لدى جهة خدمة العملاء أو مباشرة لدى شركة

Techtronic Industries GmbH, Max-Eyth-Straße 10, 71364

Winnenden، ألمانيا

#### زومولا

تنبيه! تحذير! خطراً!



افصل دائما القابس عن المقيس قبل تنفيذ أي عمل بالجهاز.



يرجى قراءة التعليمات بعناية قبل بدء تشغيل الجهاز.



يحظر التخلص من الأجهزة الكهربائية والبطاريات/البطاريات القابلة للشحن في القمامة المنزلية. يجب جمع الأجهزة الكهربائية والبطاريات القابلة للشحن منفصلة وتسليمها للتخلص منها بشكل لا يضر بالبيئة لدى شركة إعادة استغلال.

الرجاء الاستفسار لدى الهيئات المحلية أو لدى التجار المتخصصين عن مواقع إعادة الاستغلال ومواقع الجمع.



علامة التوافق الأوروبية



علامة التوافق البريطانية



علامة التوافق الأوكرانية



علامة التوافق الأوروبية الاسيوية



Copyright 2020  
Techtronic Industries GmbH  
Max-Eyth-Str. 10  
71364 Winnenden  
Germany  
+49 (0) 7195-12-0  
[www.milwaukeeetool.eu](http://www.milwaukeeetool.eu)

Techtronic Industries (UK) Ltd  
Fieldhouse Lane  
Marlow Bucks SL7 1HZ  
UK

 **EAC UK  
CA**  
(12.20)  
**4931 4704 91**