

Thank you for purchasing this light fitting. Please read the instructions carefully before use to ensure safe and satisfactory operation of this product.

Please keep these instructions for future reference.

### Warnings!

This is a Class 1 product and must be earthed.

Please read these instructions carefully before commencing any work. It is recommended that this fitting is installed by a qualified electrician. Install in accordance with the IEE Wiring regulations and the Building Regulations.

To prevent electrocution switch off at mains supply before installing or maintaining this fitting. Ensure other persons cannot restore the electrical supply without your knowledge. If you are in any doubt, please consult a qualified electrician.

This light fitting should be connected to a 5 amp fused circuit.

If replacing an existing fitting, make a note of the connections.

Always use the correct type and wattage bulb. Never exceed the wattage stated.

When changing a bulb, always switch off at the mains and allow the old bulb to cool down before handling. Dispose of used bulbs carefully.

This product is suitable for indoor use only, on normal flammable surfaces.

### Using a dimmer switch

This product is suitable for use with a dimmer switch.

Please note, some energy saving bulbs are not suitable for use with a dimmer switch.

### Fixing Instructions

Make sure you have the following items which are required to install this light fitting:

Small electrical screwdriver, cross head screwdriver & insulation tape.

#### Step 1

Before removing the existing fitting, carefully note the position of each set of wires. Where a ring/loop circuit exists there will be a fourth set of wires (usually red) that are not connected to the L, N, or E. of the fitting. This circuit must be kept together in a spare connection block, and insulated from the fitting and the other wires. The ring/loop will remain live unless isolated at the mains or circuit breaker regardless of the position of the wall switch.

#### Step 2

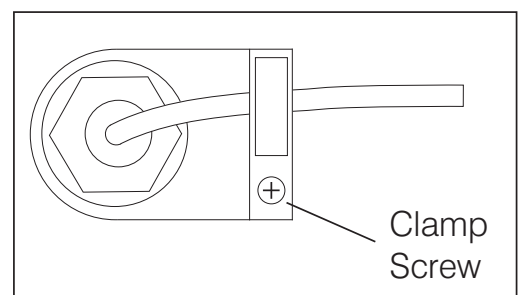
Remove the fixing bracket (A) from the ceiling cover (see diagram in step 6) and attach to the ceiling using the screws provided. Ensure there is a joist at the point of fixing to support the weight of the product. Take care to avoid damaging any concealed wiring and pipes.

#### Step 3

If you wish to reduce the hanging height of this product, the length of the cable will need to be reduced. It will be necessary to shorten the cable before installation takes place.

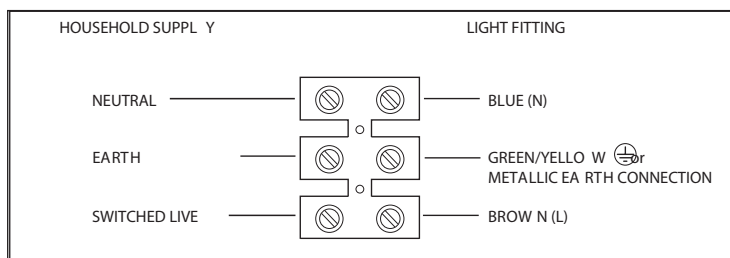
The cables can be reduced in length by adjusting the cable clamps. Firstly, work out the new height at which the product will hang.

Carefully loosen the screws in the cable clamps in the ceiling cover. Feed the cables through the clamps and into the ceiling cover. When the desired length of cables is reached, retighten the clamps



#### Step 4

Having identified the household wiring from your existing light fitting, connect to the connection block inside the product in the following way:



Check that.....

You have correctly identified the house wires.

The connections are tight.

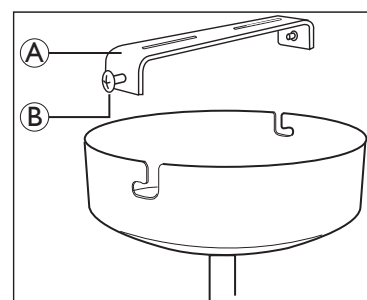
No loose strands have been left out of the connection block.

#### Step 5

When completed, ensure that there are no bare or loose strands of wire exposed, and cover all exposed areas of the connection block with 2 layers of insulation tape.

#### Step 6

This product has "L" shaped fixing holes to allow easy fixing to the ceiling strap. Locate the "L" slots around the small screws (B) on the ceiling strap (A). Rotate the ceiling cover to attach the product to the strap. Tighten the screws to secure. Take care not to trap any wiring.



#### Fitting/Replacing the bulbs - Max. 40W E27 GLS

When changing a bulb, always switch off at the mains and allow the bulb to cool before handling. Dispose of used bulbs carefully. Do not exceed the wattage stated or use a different shape bulb from that indicated on the fitting.

#### Step 7


Replace fuse or circuit breaker and switch on. Your light is now ready for use.

#### Care and cleaning

Finish - We recommend cleaning with a soft dry cloth. Do not use abrasive materials as these will damage the finish.

#### Safety Information

For your safety, always switch off the supply before replacing, adjusting or cleaning.

 Waste electrical products should not be disposed of with household waste. Please recycle where facilities exist. Check with your Local Authority or retailer for recycling advice.

We have taken great care to ensure that this product reaches you in perfect condition. However, should any parts be damaged or missing please access our website: [www.poolelighting.com](http://www.poolelighting.com) to request spare parts or please call our Product Helpline on (01202) 690945.

We will despatch to you, within 7 working days, your missing/damaged part. When phoning please ensure you have the following information available: Name and Address, Daytime Telephone Number, Date of Purchase, Product Reference number or barcode number (inside ceiling cover or on box label), Description of Missing/Damaged Part. This does not affect your statutory rights.

Manufactured by: Poole Lighting Ltd.

**UK:** BH17 7BY

**EU:** Brilliant AG, Brilliantstrasse 1, D-27442 Gnarrenburg