




Technical Data

Supply Voltage:	220-240 V~ 50 Hz - SXLS31362E 110 V~ 50 Hz - SXLS31362ES The electrical supply to the unit should be provided by connecting to a circuit protected by a fuse or miniature circuit breaker suitable for the electrical rating of the unit. Any plug, sockets and switches intended for use outdoors must have a water IP rating as good as, or better than, the protection rating of this unit.
Bulb Type:	10 X 8W Non-replaceable LED
	Conformity with all relevant EC Directive requirements.
	Class 2 product, This item is double insulated, this fitting must not be earthed.
IP44	Protects against solid objects over 1mm and sprays from all directions. Limited ingress permitted.
	Waste electrical products should not be disposed of with household waste. Please recycle where facilities exist. Check with your Local Authority or local store for recycling advice.

STANLEY®

SXLS31362E - 240V
SXLS31362ES - 110V

LED Festoon Light Instruction Manual



CE

STANLEY
STANLEY

REGISTERED TRADEMARKS

Stanley, The Stanley Logo, The Notched Rectangle and the Yellow and Black Diagonal Package Design are all trademarks of Stanley Black & Decker, Inc or an affiliate thereof and are used under license. Product manufactured and distributed by Cascade Holdings Ltd., Gorse Mill, Gorse Street, Chadderton, Oldham, Lancashire, OL9 9RJ

SAVE THIS INSTRUCTION MANUAL FOR FUTURE REFERENCE

Made in China
CHL OL9 9RJ
Customer Service: 0333 005 0077

READ ALL INSTRUCTIONS

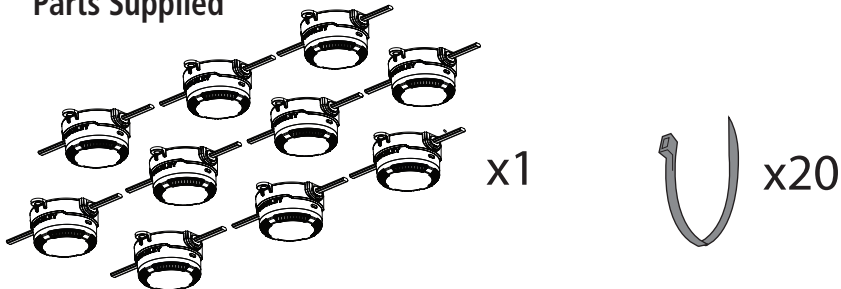
Safety

- These instructions are for your safety. Please read through them thoroughly prior to installation and retain them for future reference.
- Always organise cables and extension leads so that they will not be a trip hazard
- The external flexible cable or cord of this luminaire cannot be replaced; If the cord is damaged, the luminaire shall be destroyed.
- Check the pack and make sure you have all of the parts listed.
- Remove all packaging, wrap etc. from the product.
- Decide on the appropriate location for your product.
- IP44 product: Protects against solid objects over 1mm and sprays from all directions. Limited ingress permitted.
- Always refer to the installation drawing for the orientation of the product.
- Never put anything on the product or hang anything on any part of this product.
- When the product does not light after installation:
 - > Ensure there is no electricity failure
 - > Ensure all the connections are secured
- Always disconnect the product from mains at least 10 minutes allowing to cool down before any maintenance or adjustment.
- **CAUTION:** Do not stare at the operating LED light source.
- Do not use this product coiled up or when still in its packaging.
- Do not connect to power source until correctly located in desired position.
- Always disconnect from the power source before relocating this item.
- Do not extend by connecting to other products

Cleaning care

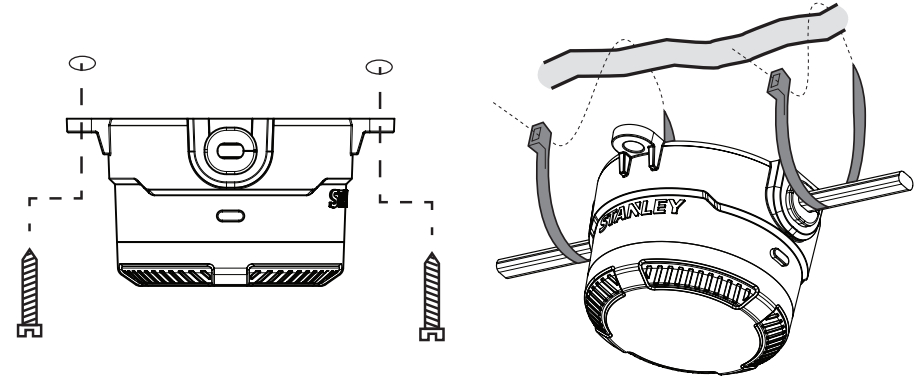
- The lamp can be cleaned with a clean dry cloth. Do not immerse it in water.
- Always switch off the supply before cleaning

Parts Supplied

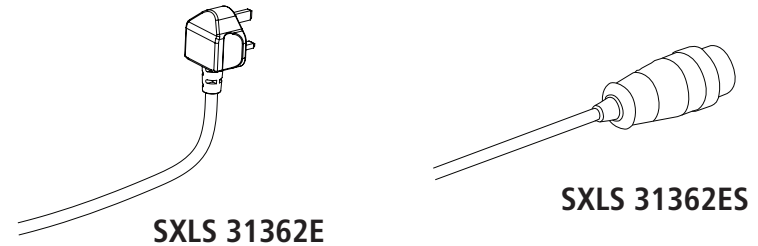


Installation Instructions

1



2



The electrical supply to the unit should be provided by connecting to a circuit protected by a fuse or miniature circuit breaker suitable for the electrical rating of the unit. Any plug, sockets and switches intended for use outdoors must have a water IP rating as good as, or better than, the protection rating of this unit.

Images for illustration purposes only – Product may differ slightly from the one shown