





# Technical Data

Supply Voltage:	220-240 V ~ 50/60 Hz
Bulb Type:	Non-replaceable 30W LED (See rating / box info)
	The light source contained in this luminaire shall only be replaced by the manufacturer or his service agent or a similar qualified person.
	Conformity with all relevant UK & EC Directive requirements.
	Class I product, must be connected to earth.
<b>IP65</b>	Totally protected against dust. Protected against low pressure jets of water from all directions. Limited ingress permitted.
	Waste electrical products should not be disposed of with household waste. Please recycle where facilities exist. Check with your Local Authority or local store for recycling advice.

## 2-YEAR LIMITED WARRANTY

The warranty of this product is covered by Cascade Holdings Ltd.

© Stanley Black & Decker, Inc.

STANLEY and the STANLEY Logo are trademarks of Stanley Black & Decker, Inc or one of its affiliates, and are used under license.

Products are manufactured by:  
Cascade Holdings Ltd.  
Gorse Mill, Gorse St  
Oldham, OL9 9RJ U.K.

[www.stanleytools.co.uk](http://www.stanleytools.co.uk)

# STANLEY®

SXLS35526E - 30W

## 30W LED Worklight Instruction Manual



CE

SAVE THIS INSTRUCTION MANUAL FOR FUTURE REFERENCE

The thick and thin horizontal line field and the engineering plan packaging design are trademarks of Stanley Tools.

### CUSTOMER SUPPORT:

For customer service please visit the Online Customer Service Centre at: [www.2helpU.com](http://www.2helpU.com)

# READ ALL INSTRUCTIONS

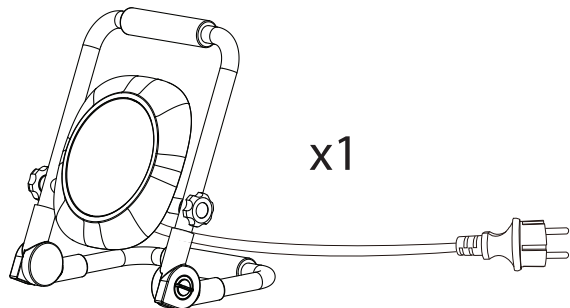
## Safety

- These instructions are for your safety. Please read through them thoroughly prior to installation and retain them for future reference.
- Always organise cables and extension leads so that they will not be a trip hazard.
- If the external flexible cable or cord of this luminaire is damaged, it must only be replaced by a qualified electrician to avoid any electrical hazards.
- Check the pack and make sure you have all of the parts listed.
- Remove all packaging, wrap etc. from the product.
- Decide on the appropriate location for your product.
- IP65 product: Totally protected against dust. Protected against low pressure jets of water from all directions. Limited ingress permitted.
- Always refer to the installation drawing for the orientation of the product.
- Never put anything on the product or hang anything on any part of this product.
- When the product does not light after installation:
  - > Ensure there is no electricity failure
  - > Ensure all the connections are secured
- Always disconnect the product from mains at least 10 minutes allowing to cool down before any maintenance or adjustment.
- CAUTION: Do not stare at the operating LED light source.

## Cleaning care

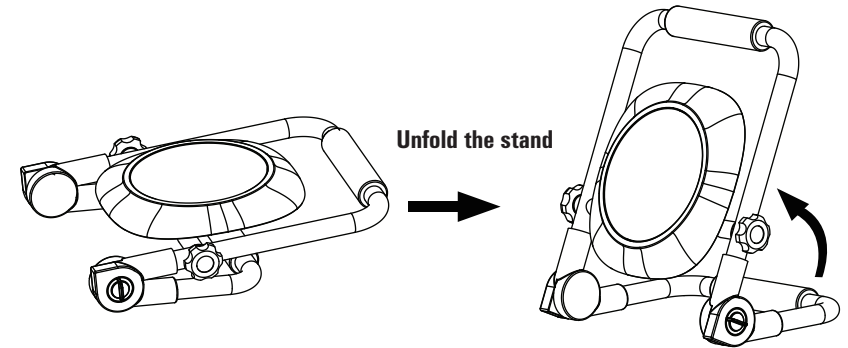
- The lamp can be cleaned with a clean dry cloth. Do not immerse it in water.
- Always switch off the supply before cleaning.

## Parts Supplied

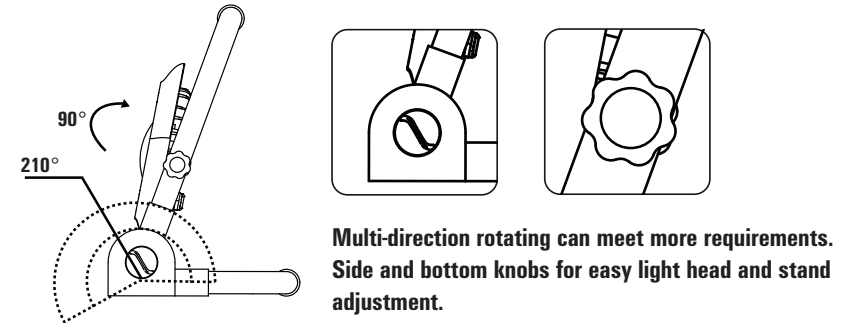


## Installation Instructions

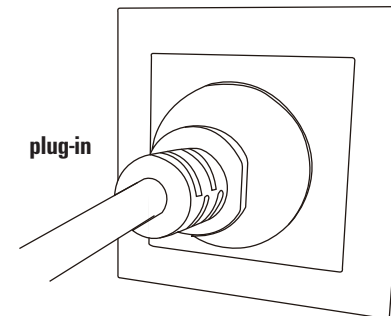
1



2



3



Images for illustration purposes only – Product may differ slightly from the one shown