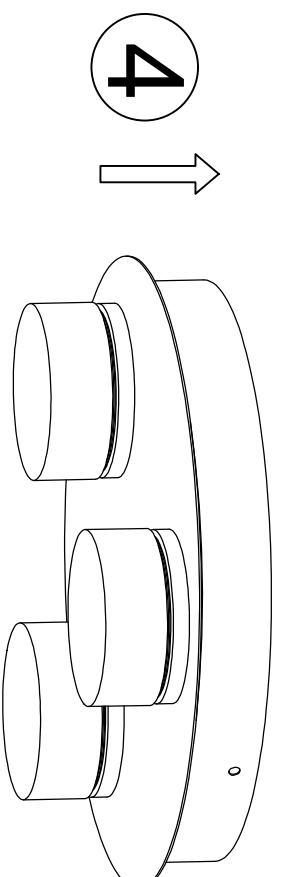
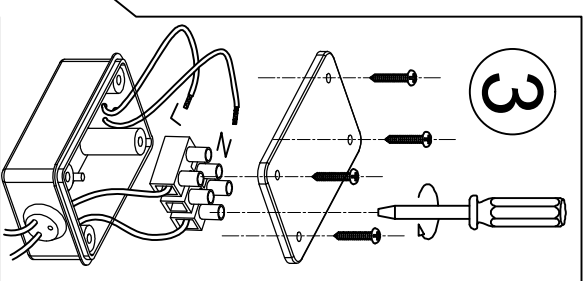
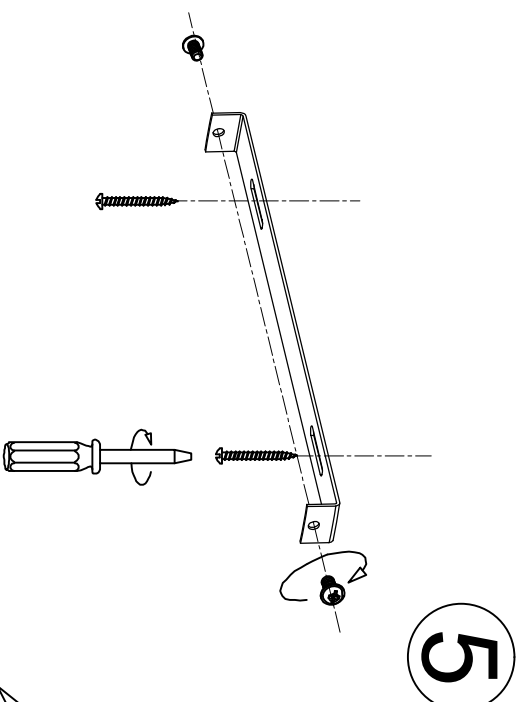
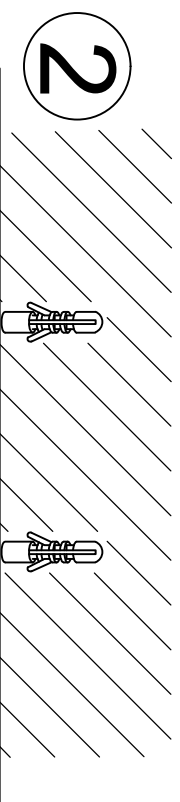
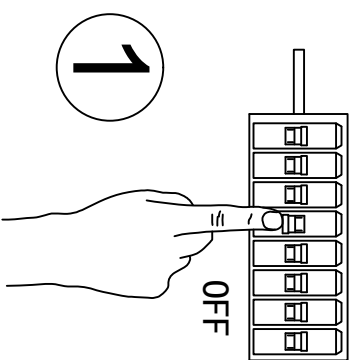


# Spa

ins spa 31736 - A



Please take time to read this leaflet carefully and retain it for future reference.