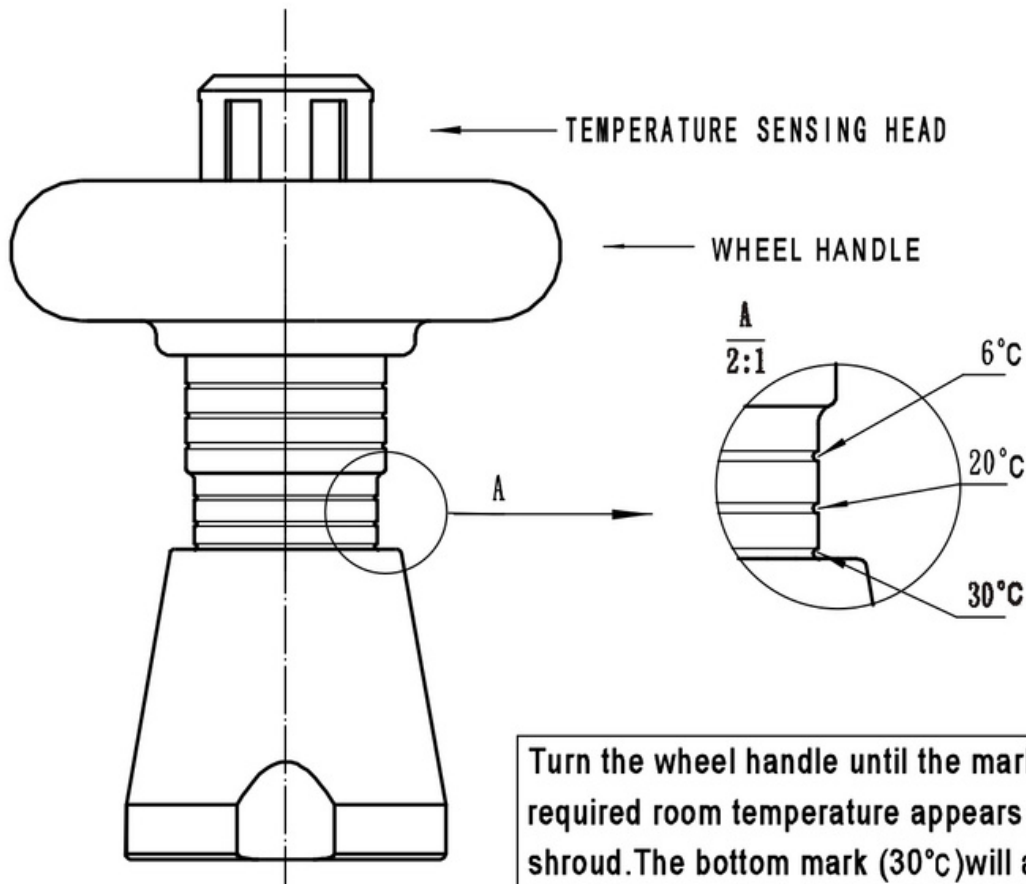


# Traditional TRV



Temperature sensing head  
Do not cover and keep clean from dust

Turn the wheel handle until the mark corresponding to the required room temperature appears above the top of the shroud. The bottom mark (30°C) will appear when the wheel handle is turned fully anti-clockwise (valve is fully open)

When the wheel handle is turned fully clockwise it will feel closed. In this position it operates when the temperature falls below 5°C to provide frost protection.

