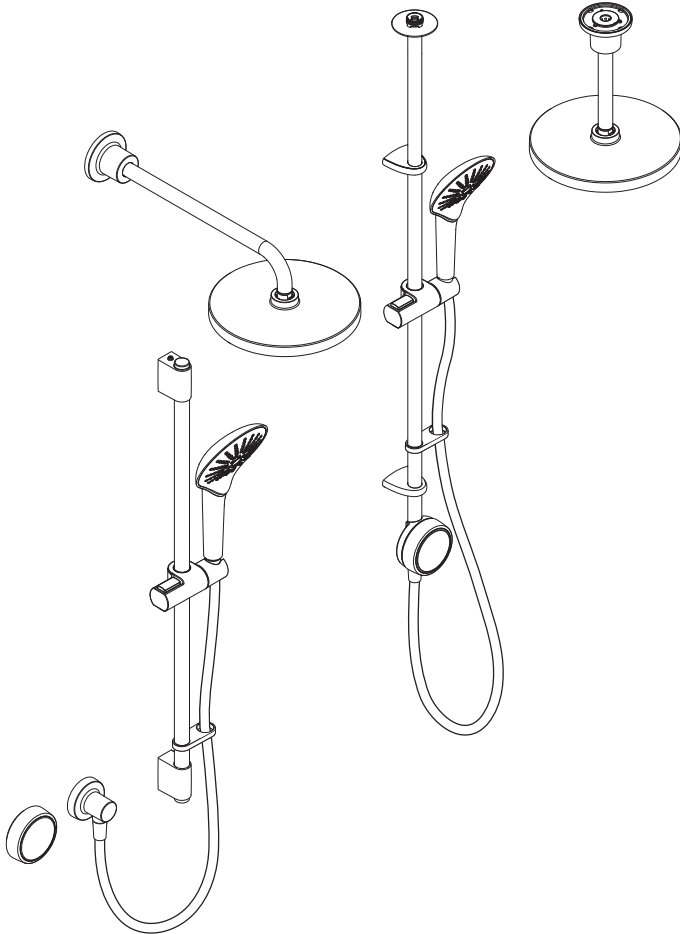


# Mira Activate

Digital Shower



1399980

Installation and User Guide

Please leave these instructions with the user

***mira***  
SHOWERS

Thank you for purchasing a Mira Activate. To enjoy the full potential of your new product, please take time to read this guide thoroughly, and having done so, keep it handy for future reference. For step-by-step installation videos, datasheets or spares information, please visit the Mira Showers website.

## **Contents**

Important Safety Information	4
Pack Contents	6
Guarantee	10
Recommended Usage	10
Products Covered	10
Specifications	11
Suitable Plumbing Installations	13
Showering Maximum Flow Rate	15
Installation Schematic	16
General Installation	17
Installation	
Digital Mixing Valve	18
Ceiling Fed Shower Fittings	22
Rear Fed Shower Fittings	25
Deluge Overhead	28
User Controller	32
Commissioning & Starting the shower	35
User Controller: Features	40
Set Up: Mobile App	42
Fault Diagnosis	43
Cleaning & Maintenance	48
Back Page	52

# Important Safety Information

Products manufactured by Kohler Mira Ltd. are designed to be safe, provided that they are installed, used and maintained in good working order, in accordance with our instructions and recommendations. Follow all warnings, cautions and instructions contained in this guide, and on, or inside the product. Failure to follow the instructions provided with this product will invalidate the guarantee.

**WARNING! To reduce the risk of fire, electric shock or injury please read the important information listed below.**

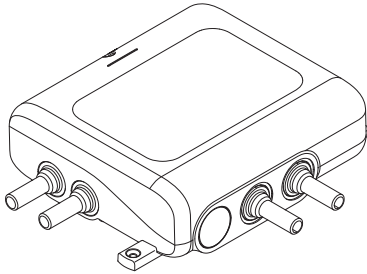
1. Installation of this product must be carried out in accordance with these instructions by qualified, competent personnel. Read all instructions before commencing installation.
2. The electrical installation must comply with BS 7671 (commonly referred to as the IET Wiring Regulations) and all relevant building regulations, or any particular regulation or practice specified by the local electricity supply company.
3. The plumbing installation must comply with all national or local water regulations and all relevant building regulations, or any particular regulation or practice specified by the local water supply company.
4. Isolate the electrical and water supplies before commencing installation.
5. For any copper pipework ensure supplementary bonding is provided in accordance with the wiring regulations.
6. A 30mA Residual Current Device (RCD) must be included in the electrical circuit. This may be part of the consumer unit or a separate unit.
7. **DO NOT** install the digital mixing valve or user controller in areas with high humidity and temperature (e.g. steam rooms and saunas).

8. **DO NOT** install the digital mixing valve or fittings where they may be exposed to freezing conditions. Ensure that any pipework that could become frozen is properly insulated.
9. **DO NOT** perform any unspecified modifications, drill or cut holes in the product other than instructed by this guide. When servicing only use genuine Kohler Mira replacement parts.
10. If the product is dismantled during installation or servicing then, upon completion, an inspection must be made to ensure all electrical connections are secure and that there are no leaks.
11. **DO NOT** operate the product if water is leaking from inside the valve module. Isolate electrical and water supplies to the product and refer to the fault diagnosis section.
12. **DO NOT** operate the product if it is thought to have been exposed to freezing conditions. Isolate electrical and water supplies to the product and contact Kohler Mira Ltd.
13. Make sure that you fully understand how to operate this shower and make sure that it is properly maintained in accordance with the instructions given in this manual.
14. This product can be used by children aged from 8 years and above and persons with reduced physical, sensory or mental capabilities or lack of experience and knowledge if they have been given supervision or instruction concerning the use of the appliance in a safe way and understand the hazards involved.
15. **DO NOT** allow children to play with the product.
16. **DO NOT** allow children to clean or perform any user maintenance without supervision.
17. Children under 8 must be supervised when bathing or showering.
18. The water temperature needs to be set at a suitable temperature (body temperature is approximately 38°C). Babies and Children are more sensitive to temperature than adults and it is recommended to check the delivered water temperature is less than 37°C.

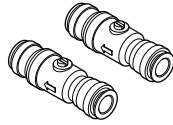
19. The maximum mixed water temperature from the product is 48°C to take into account losses in metal baths. It is not a safe bathing or showering temperature.
20. Always check the water temperature is safe before bathing or showering.
21. **DO NOT** remotely operate or alter any of this product's shower and bathing settings if it is already occupied and / or being used by another person.
22. **DO NOT** use excessive force when making connections.
23. Avoid layouts where the shower hose will be sharply kinked. This may reduce the life of the hose.
24. The position of the shower fittings must provide a minimum air gap of 25mm between the handshower and the spill over level of any bath, shower tray or basin. There must be a minimum distance of 30mm between the handshower and the spill over level of any toilet, bidet or other appliance with a Fluid Category 5 backflow risk.
25. **DO NOT** operate the valve at voltages other than that stated on the rating label.
26. This appliance is only to be used and supplied at SELV (Safety Extra Low Voltage) using only the supplied detachable power supply unit.
27. The supply cord of the power supply unit cannot be replaced. If the cord is damaged the power supply must be replaced.
28. In the event of a cold water failure, the product is designed to reduce the flow. Depending on the temperature of the hot water, the valve may shut down to prevent scalding.

# Pack Contents

## Digital Mixing Valve High Pressure/Combi



Digital Mixing Valve



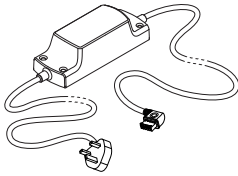
2 x Push-Fit Isolators



1 or 2 x Outlet Connector  
(Depending on number of outlets)



3 x Fixing Screws



1 x Power Supply



3 x Wall Plugs

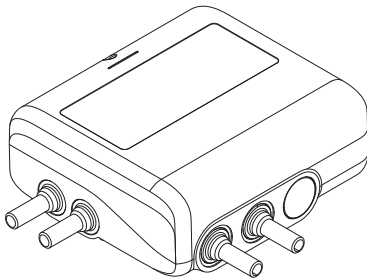


2 x Pozi Screws  
(3.5 x 12mm)

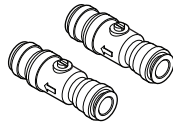


2 x Fixing Feet

## Digital Mixing Valve Pumped/Gravity



Digital Mixing Valve



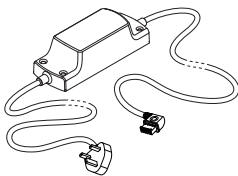
2 x Push-Fit Isolators



1 - 2 x Outlet Connector  
(Depending on number of outlets)



3 x Fixing Screws



1 x Power Supply



3 x Wall Plugs

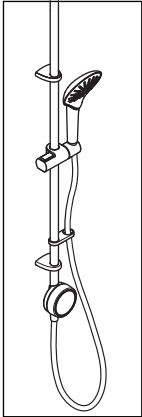


2 x Pozi Screws  
(3.5 x 12mm)



2 x Fixing Feet

# Ceiling Fed Shower Fitting



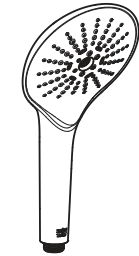
4 x Wall Plugs



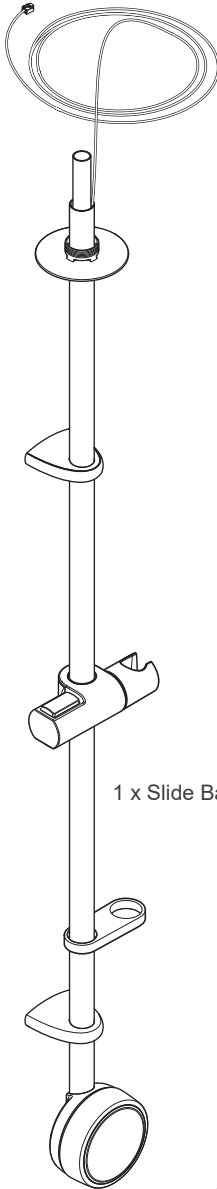
4 x Fixing Screws



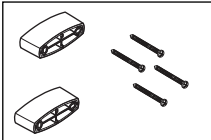
1 x Elbow



1 x Handset



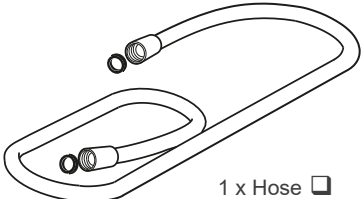
1 x Slide Bar Assembly



2 x Wall Spacers & 4 Long Fixing Screws (Optional Fitment)



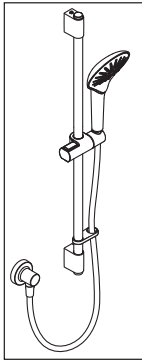
1 x User Controller (fitted)



1 x Hose

2 x Rubber Washers

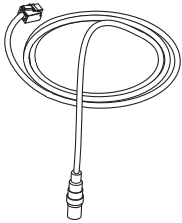
# Rear Fed Shower Fitting



2 x Cover Cap



2 x Locking Screw

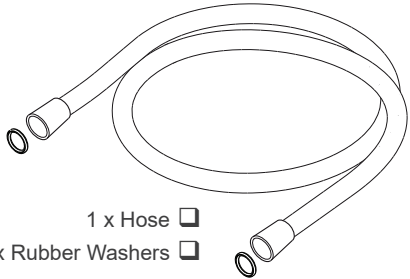
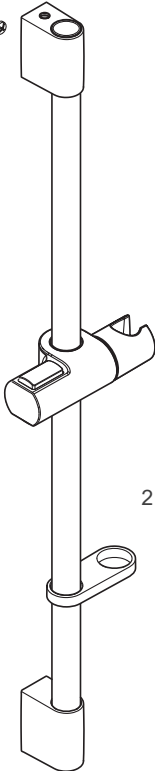


1 x Controller Cable



1 x Handset

1 x Slide Bar Assembly



1 x Hose

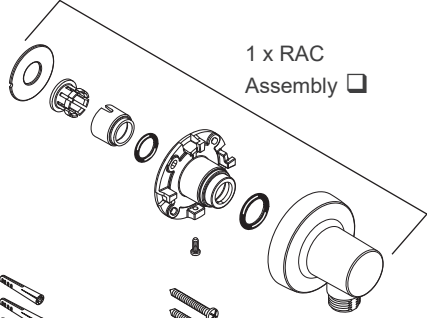
2 x Rubber Washers

2 x Wall Plugs

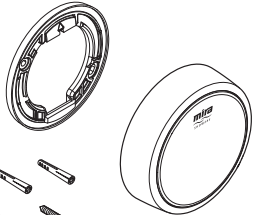


2 x Mounting Brackets

2 x Fixing Screws



1 x RAC Assembly



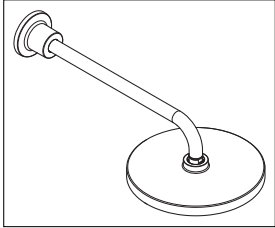
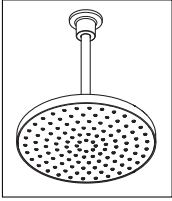
1 x User Controller

4 x Wall Plugs

4 x Fixing Screws



# Overhead Fitting Kit (Dual Outlet models only)



1 x Shower Arm

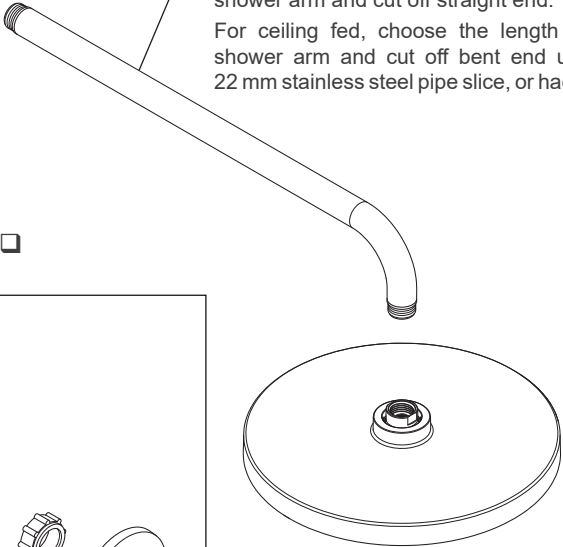
**Note:** For rear fed, choose the length of the shower arm and cut off straight end.

For ceiling fed, choose the length of the shower arm and cut off bent end using a 22 mm stainless steel pipe slice, or hack saw.

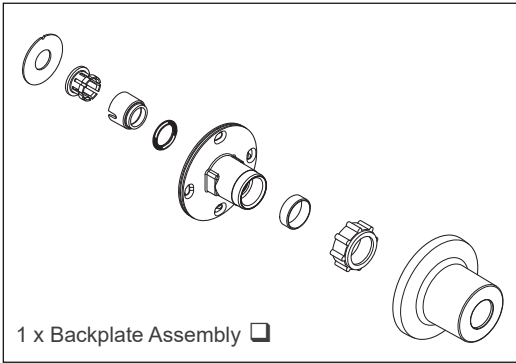
4 x Wall Plugs



4 x Fixing Screws



1 x Deluge Overhead



1 x Backplate Assembly

## Guarantee

The Mira Activate has been designed for domestic use only, it is not recommended for Commercial or Healthcare use. For domestic installations, Kohler Mira Ltd. guarantee the Mira Activate against any defect in materials or workmanship for a period of five years from the date of purchase (shower fittings for one year).

For non-domestic installations, Kohler Mira Ltd. guarantee the Mira Activate against any defect in materials or workmanship for a period of one year from the date of purchase.

**Your guarantee is only valid if you follow the guidance within this installation and user guide, including the 'Cleaning and Maintenance' section.**

## Recommended Usage

Domestic	✓
Light Commercial	✗
Heavy Commercial	✗
Healthcare	✗

## Products Covered

Product Name	Product No.
Mira Activate Ceiling Fed (High Pressure)	1.1903.086
Mira Activate Rear Fed (High Pressure)	1.1903.087
Mira Activate Dual Ceiling Fed (High Pressure)	1.1903.088
Mira Activate Dual Rear Fed (High Pressure)	1.1903.089
Mira Activate Ceiling Fed (Pumped)	1.1903.090
Mira Activate Rear Fed (Pumped)	1.1903.091
Mira Activate Dual Ceiling Fed (Pumped)	1.1903.092
Mira Activate Dual Rear Fed (Pumped)	1.1903.093

# Specifications

## Standards and Approvals

The Mira Activate complies with all relevant directives for CE marking. The Mira Activate is a type 1 electronic, independently mounted control for surface mounting. Mira Activate is a thermostatic water mixing valve.

<b>General</b>	
Pollution Degree	2
Rated Impulse Voltage	2.5 kV
Connections	15mm pushfit
Suitability for Drinking Water Applications	Not suitable
Solenoid Type	Pilot operated
Water Connection Type	Permanent

## Mira Digital Mixing Valve High Pressure/Combi (not suitable for pumped gravity systems)

<b>Pressures</b>	
Thermostatic Standard	TMV 2 - HP (BS EN 1111 Type 2)
Maximum Static Pressure	1000 kPa (10 bar)
Maximum Maintained Pressure	500 kPa (5 bar)
Minimum Maintained Pressure	100 kPa (1 bar)
Supply Pressure Differential	Nominally equal
<b>Temperatures</b>	
Maximum Temperature (setting range)	35°C - 48°C (Factory Preset 45°C)
Minimum Temperature	Thermostatic control down to 30°C Full Cold also selectable
Hot Water Range - Supply	55°C - 65°C
Cold Water Range - Supply	1°C - 20°C
Temperature Stability at Valve Outlet	± 1°C at recommended supply conditions
Ambient Temperature	1°C - 50°C
Maximum Relative Humidity	95% non-condensing at 30°C
<b>Flow Rates</b>	
Nominal Flow Rate	Valve capable of up to 16 l/min @ 1 bar
<b>Electrical Rating</b>	
Supply Voltage	100V - 240V AC 50/60Hz
Maximum Load	38W
Output Supply Voltage to Valve	12V DC

## Mira Digital Mixing Valve Pumped/Gravity (not suitable for mains pressure systems)

**Note: The pump in this product is not suitable for dry running. It is essential you follow the commissioning sequence detail in this guide.**

<b>Pressures</b>	
Thermostatic Standard	TMV 2 - HP (BS EN 1111 Type 2)
Maximum Static Pressure	100 kPa (1 bar) 10m head
Maximum Maintained Pressure	100 kPa (1 bar) 10m head
Minimum Maintained Pressure	1 kPa (0.01 bar) 0.10m
Supply Pressure Differential	Nominally equal
<b>Temperatures</b>	
Maximum Temperature (setting range)	35°C - 48°C (Factory Preset 45°C)
Minimum Temperature	Thermostatic control down to 30°C Full Cold also selectable
Hot Water Range - Supply	55°C - 65°C
Cold Water Range - Supply	1°C - 20°C
Temperature Stability at Valve Outlet	± 1°C at recommended supply conditions
Ambient Temperature	1°C - 50°C
Maximum Relative Humidity	95% non-condensing at 30°C
<b>Flow Rates</b>	
Nominal Flow Rate*	Valve capable of up to 12 l/min @ 0.1 bar
<b>Electrical Rating</b>	
Supply Voltage	100V - 240V AC 50/60Hz
Maximum Load	80W
Output Supply Voltage to Valve	12V DC & 24V DC

**Note: Valves operating outside of the manufacturers recommended conditions of use cannot be guaranteed to operate as TMV2 Type 2 valves.**

## User Control

Electrical Supply	12V DC SELV 2W Max
Ingress Protection	IPX5
Maximum Ambient Temperature	40°C

# Suitable Plumbing Installations

## Digital Mixing Valve (High Pressure/Combi)

1. Combination boiler systems - the digital high pressure/combi shower can be installed with an instantaneous combination boiler.
2. Unvented mains pressurised system - the digital high pressure/combi shower can be installed with an unvented, stored hot water cylinder system.
3. Mains pressurised instantaneous hot water heater - the digital high pressure/combi shower can be installed with systems of this type with balanced pressures.

**Caution: High pressure mixing valves must never be plumbed to gravity systems. This includes mixed gravity and mains pressure e.g. gravity hot and mains cold. Doing so will invalidate the warranty and potentially cause product and property damage.**

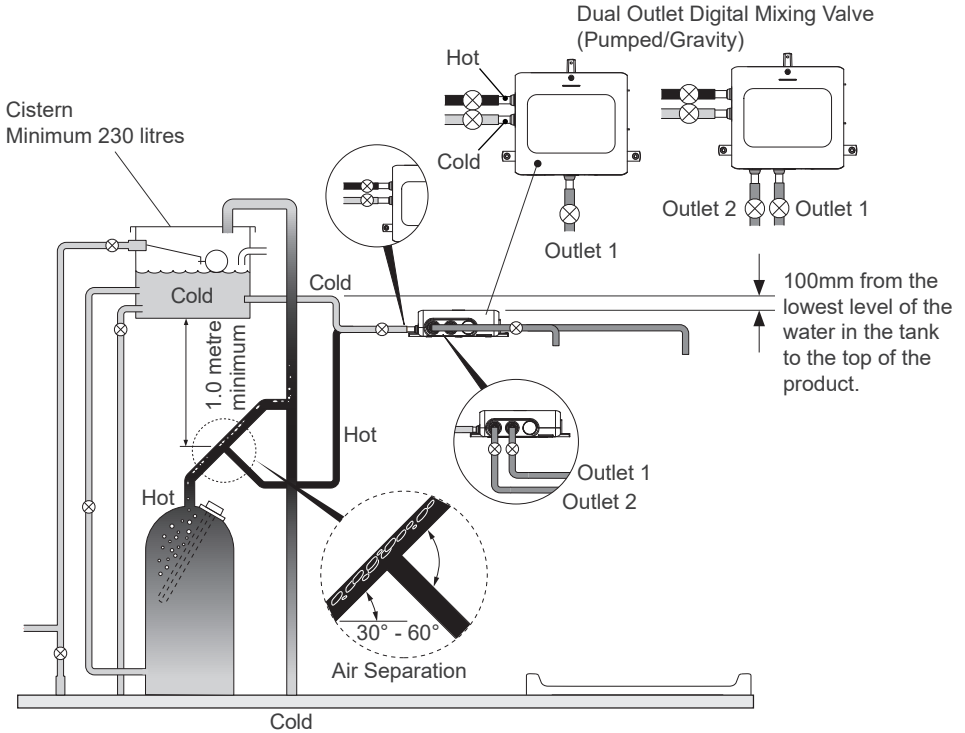
### Use of Warm-up Feature with Combination Boilers

When using the warm-up feature (see User Guide) with the digital mixing valve supplied via an instantaneous water heater/combination boiler, the user may experience a brief temperature fluctuation. This is caused by the normal operation of a standard instantaneous water heater/combination boiler whereby the boiler will turn off when the flow is stopped (as happens after the warm-up sequence has been completed). Upon restart of the shower, a cold shot will be flushed through followed by a brief hot shot until the hot water supply has stabilised.

# Digital Mixing Valve (Pumped/Gravity)

## 1. Gravity fed hot water systems

**Caution! Digital pumped/gravity valves must never be plumbed to mains pressure systems. This includes mixed gravity fed and mains pressure e.g. gravity hot and mains cold. Doing so will invalidate the warranty and potentially cause product and property damage.**



The shower control must be fed from a cold water storage cistern and a hot water cylinder providing nominally equal pressures. Pipework layouts and connections must be such that other draw-offs will not effect water supplies to the shower, shared supplies may lead to airlocking or water starvation. It is therefore best practice to have independent hot and cold supplies to the digital mixing valve pumped/gravity.

# Showering Maximum Flow Rate



**Note: The Switch shower handset is flow regulated to 12 l/min. Regardless of your mixing valve settings or water system capabilities, the flow rate achievable through this handset is limited to 12 l/min.**

## Combination Boilers

**Note: The digital mixing valve can demand hot water quicker than some instantaneous water heaters/combination boilers can provide, especially in winter when the mains water is colder. It is therefore possible this mixing valve will need to have its outlet flow rate altered to match the capability of the water system.**

This digital mixing valve has been factory pre-set to 16 l/min outlet flow rate but can be altered by use of the Mira Showers app.

High flow rate demanded from low kW combination boilers will result in poor blend temperature stability and could result in your shower going cold. We strongly recommend you to alter the outlet flow rate as the table below.

Boiler Rating	24kW (80,000 Btu/h)	30kW (100,000 Btu/h)	36kW (120,000 Btu/h)
Outlet Flow Rate	8 l/min	10 l/min	12 l/min

## Pressurised Unvented System

This digital mixing valve has been factory pre-set to 16 l/min outlet flow rate. If supplied by a pressurised unvented system it maybe permissible to increase the outlet flow rate by use of the Mira Showers app if so desired.

## Gravity System

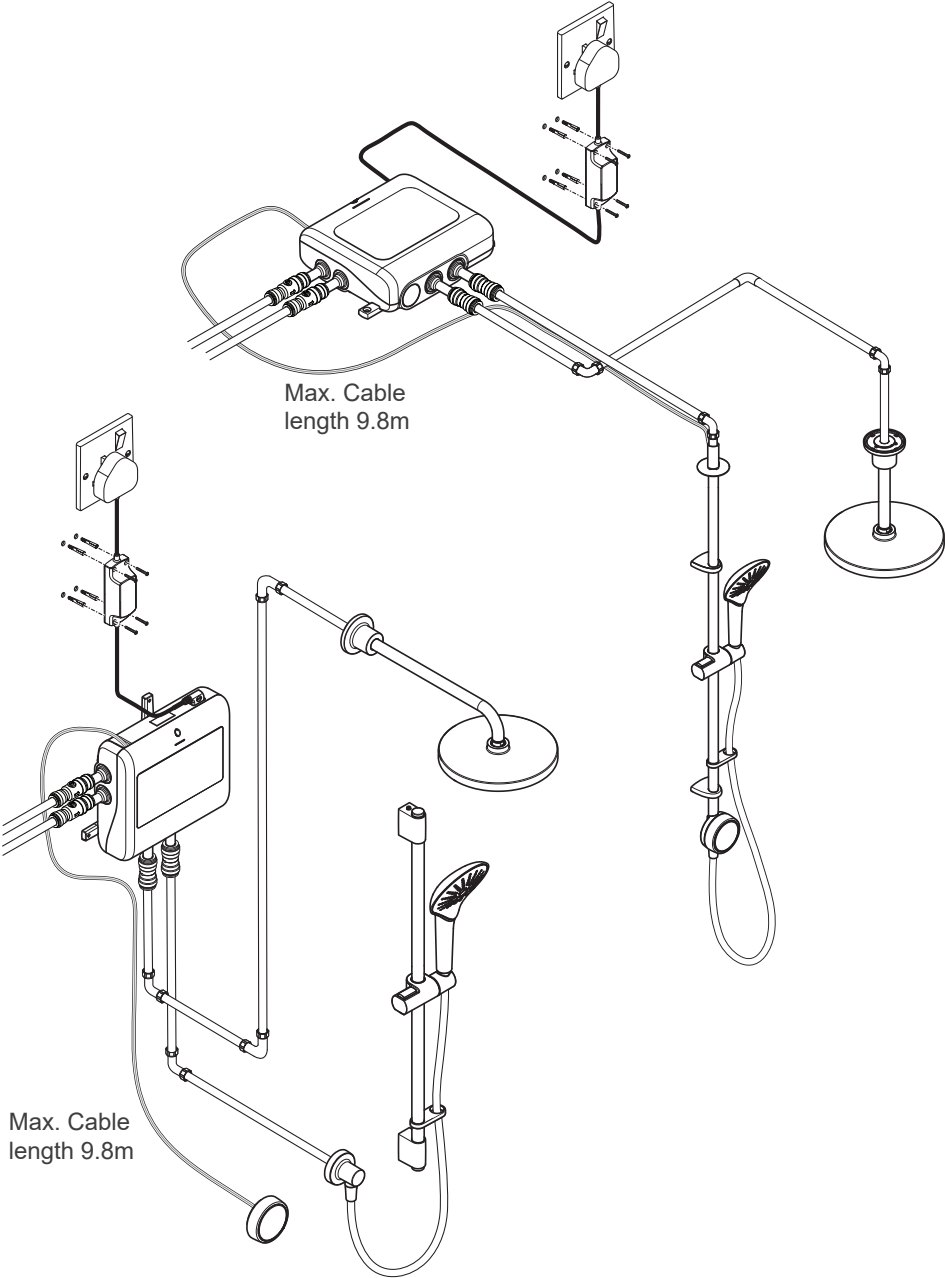
A gravity fed hot water cylinder has a finite amount of stored hot water. A standard size hot water cylinder, e.g. 230 Litres, with stored water heated to 65°C will typically provide a showering duration of 30 minutes when the shower temperature is set to mid-blend (approximately 40°C) and at a flow rate of 9 l/min. With the flow rate set to 12 l/min it will reduce the total showering duration to typically 20 minutes.

Once the stored hot water has been depleted, sufficient time will be required for the hot water cylinder to reheat its stored water supply before additional showering time can take place.

This digital mixing valve has been factory pre-set to 12 l/min outlet flow rate but can be altered by use of the Mira Showers app.

It may be necessary to alter the outlet flow rate using the Mira Showers app if your stored hot water is running out too quickly. Alternatively reduce the outlet flow by decreasing the flow rate with the user controller.

# Installation Schematic





# General Installation

All installations shall comply with the Water Supply (Water Fittings) Regulations 1999.

Safe and easy access to the product should be available at all times.

When installing the product in an area not regularly accessed, consideration for potential leaks must be taken into account. While such events are unlikely, it is advisable to periodically check the installation for traces of water on or around the product.

If possible, site the product in a location where any leak would be contained or routed to avoid areas sensitive to water damage.

Isolating valves must be installed to both inlets (supplied) and it is recommended to fit isolators on the outlet, close to the digital mixing valve for ease of maintenance.

The water supplies to this product must be isolated if the product is not to be used for a long period of time. If the product or pipework is at risk of freezing during this period they should also be drained of water.

## Important Installation Considerations

- Ensure pumped/gravity digital mixing valves showers are not connected to any mains water pressure e.g. stored gravity hot water and cold mains water.
- High pressure/combi digital mixing valves should not be fitted to a gravity system.
- The digital mixing valve should not be installed where it can become frozen or be subjected to ambient temperatures in excess of 50°C.
- Position the digital mixing valve and power supply so that there is enough room for maintenance (e.g. removal of the valve lid and servicing filters through removing inlet pipework) and make sure safe and easy access is available at all times.

**Note: The inlet pipework must be flexible enough to allow 25 mm movement to enable filters to be removed for cleaning and for maintenance of the internal components. Failure to achieve this may result in service and repair not being able to be carried out.**

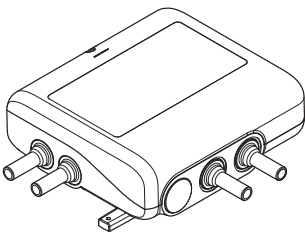
- Supply pipework layout must be arranged to minimize the effect of other outlet usage as shared water supplies may reduce its flow performance upon the dynamic pressures at the digital mixing valve inlets.
- Avoid installations where air locking could occur.
- Cold water cisterns should hold no less than 230 litres and hot water cylinders no less than 210 litres (gravity system only).
- To eliminate pipe debris it is essential that water supply pipes must be flushed prior to connecting the digital mixing valve to the system so debris cannot enter the digital mixing valve internals.

- Fully commission the product after installation taking care to look for any leaks and correct operation. For pumped product, follow commissioning instructions.
- The use of supply-line or zone strainers will reduce the need to remove debris at the digital mixing valve. The recommended maximum mesh aperture dimension for such strainers is 0.5mm.
- Pipework must be rigidly supported and routed such that it does not cause any strain on the connectors.
- Long outlet pipework (dead-legs) should be kept to a minimum to avoid temperature fluctuations.
- Cables routed through wall cavities, chased into solid walls, directed under baths or in loft spaces must be fitted in such a way that they can later be removed. To facilitate this appropriate cable conduit/trunking must be used at all times. The conduit/trunking must be at least 20mm diameter/square to allow for the safe removal of the connectors. Failure to do so may result in an inability to carry out any maintenance or servicing. Safe and easy access to the product should be available at all times.
- The product has integral check valves for the purpose of backflow prevention. These can be replaced if required by following the instructions at the end of this guide.

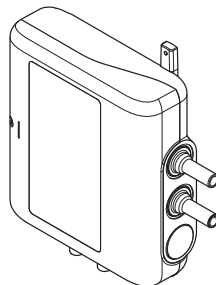
## Installation: Digital Mixing Valve

**Note: The digital mixing valve (which contains the thermostatic mixing valve) must be orientated in the positions shown below. Failure to do so will compromise the ability of the unit to fail-safe and deliver constant blend.**

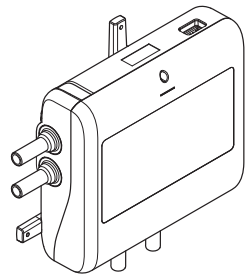
- 1 The digital mixing valve may be installed in a loft space, under the bath or in a convenient cupboard space, provided there is enough room for maintenance (e.g. removal of digital mixing valve lid and removal of the inlet pipework to access the inlet filters). Failure to do so may result in an inability to carry out any maintenance.



Mounting on a horizontal surface

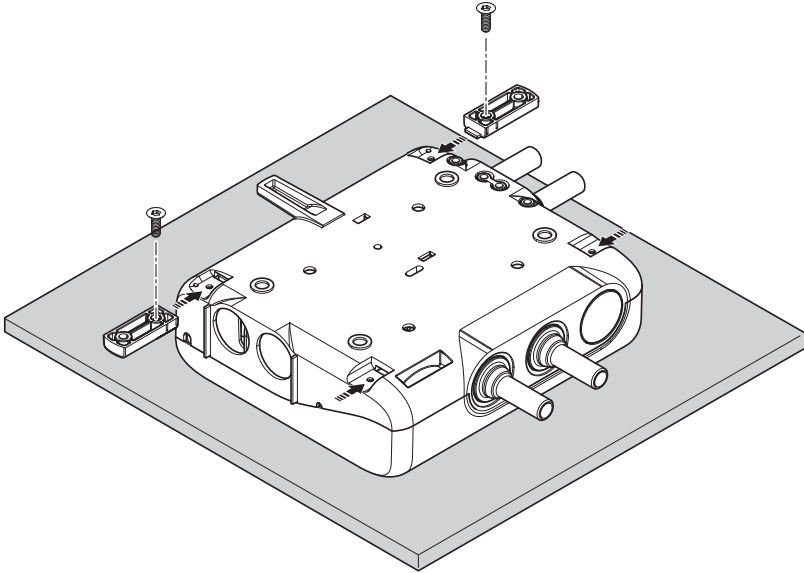


Mounting on a vertical surface



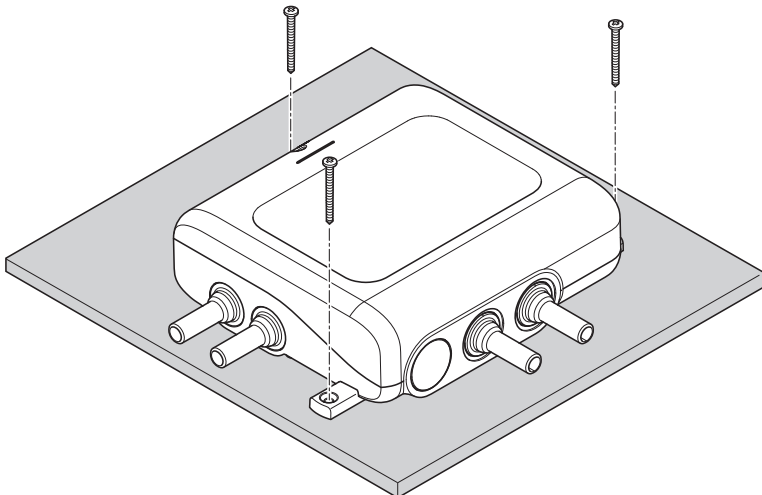
**2** Fit the 2 feet in desired location on digital mixing valve using the two Pozi 3.5 x 12mm Torx screws supplied.

**Note: There are 4 possible locations to install the feet, depending on your installation constraints.**



**3** Mark the fixing holes in the required positions and secure using suitable fixings.

**Note: The valve must be installed on a flat surface.**



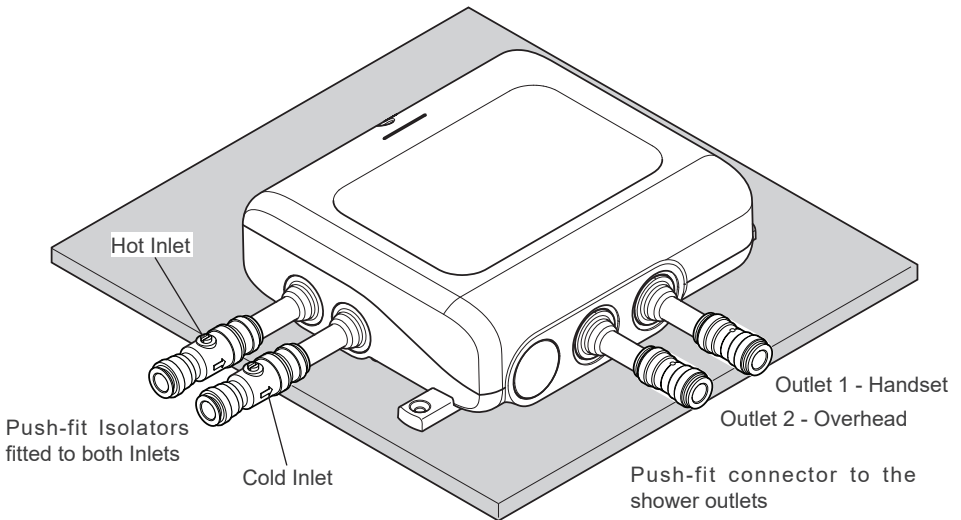
## 4 Connect the hot and cold inlet supply pipework to the digital mixing valve.

**Note:** The inlet pipework must be flexible enough to allow 25 mm movement to enable filters to be removed for cleaning and for maintenance of the internal components. Failure to achieve this may result in service and repair not being able to be carried out.

Isolating valves must be installed to both inlets (supplied) and it is recommended to fit isolators on the outlet, close to the digital mixing valve for ease of maintenance.

**Note:** The direction of arrow on isolation valve to indicates direction of flow.

Run the pipes from the mixed water outlets on the digital mixing valve to the proposed siting for the shower hose outlet, and overhead fixed arm, depending on the system chosen.



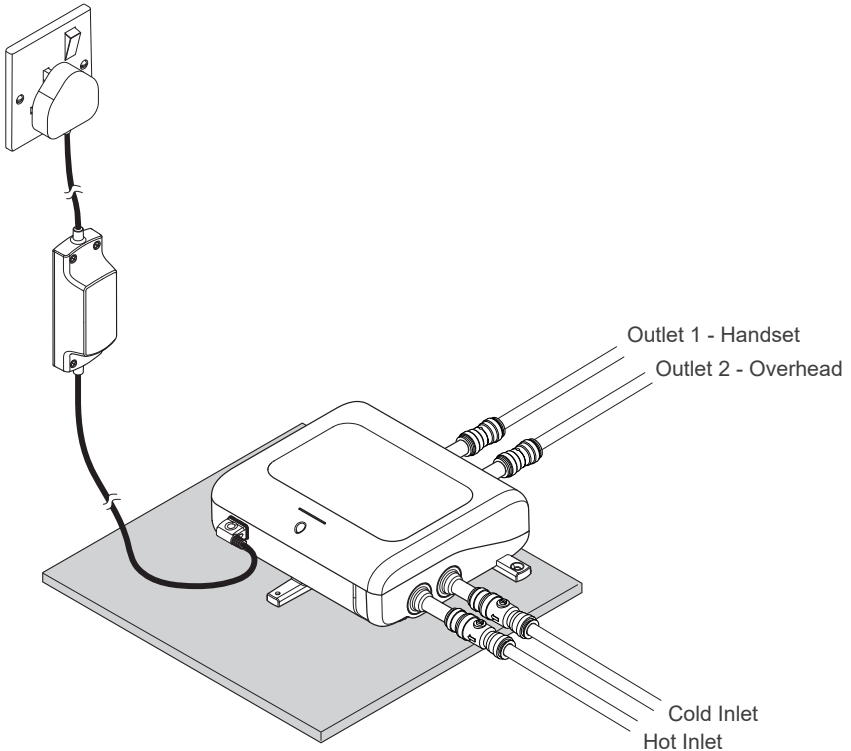
**5** Install the power supply unit provided, connecting it to mains socket in accordance with the wiring regulations.

Connect the power supply cable to the digital mixing valve.

**Caution! Before any electrical adjustment is attempted, the electricity supply must be turned off at the mains switch.**

**Electrical installation may only be carried out by a competent person.**

**Electrical socket must be easily accessible for maintenance and service.**



# Installation: Ceiling Fed Shower Fittings

Fix at convenient height for all the family. Position the fittings so that water sprays down the centre of the bath, or away from the opening of a shower cubicle. Water should spray away from the user controller when the handshower is held on the slide bar.

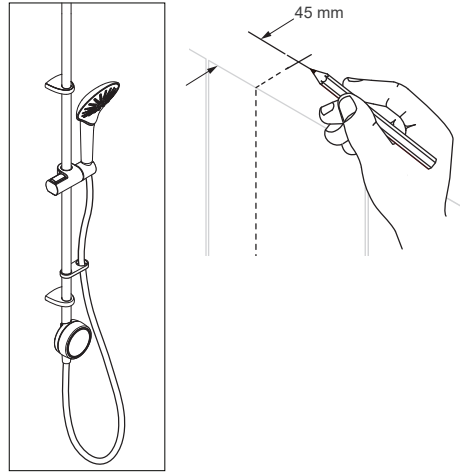
**1** Locate a suitable entry point in the ceiling for the riser rail, avoiding joists and services.

Position the slide bar assembly against bathroom wall in desired position and mark the centre of rail on ceiling.

The centre of the riser rail stands 45 mm from the wall.

Drill a hole in the ceiling that is a minimum  $\varnothing 30$  mm maximum  $\varnothing 40$  mm.

**Note: If the ceiling height is over 2.4m (8ft) a riser rail extension kit will be required. Contact our Customer Service department to purchase a 550 mm riser rail extension kit (Ceiling Fittings Extension Kit - 1.1903.097).**

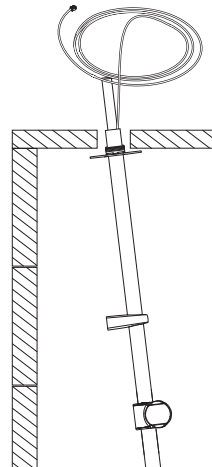


**Important! If supplied slide bar spacers are required, centre distance for ceiling hole will increase to 70 mm from wall. This is to avoid ceiling joists if necessary. Use the supplied longer fixing screws if you are using the spacers.**

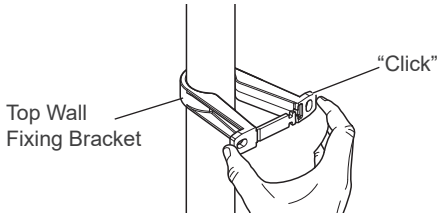
**2** Insert the cable and the riser rail assembly through the hole in the ceiling, ensuring the user controller is at the desired height, the rail is vertical, and that there is enough working clearance above the top of the rail in the roof space.

**Caution! DO NOT allow any debris to block the plastic pipe.**

**Caution! Be careful not to damage the cable and connector on any sharp edges.**



- 3** Position the slide bar assembly against the wall and move the top bracket to desired height and click in place.



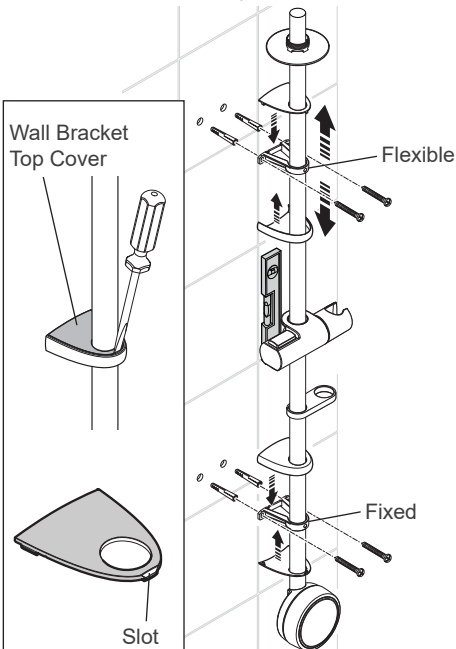
- 5** Position the slide bar assembly against the bathroom wall and secure using the supplied fixing screws.

Ensure that the shrouds are facing the correct direction.

Clip the top and bottom shrouds to both the fixing brackets.

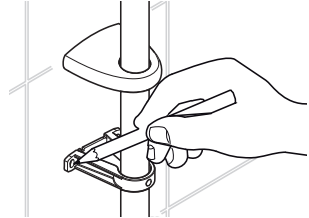
**Caution: Use flat head screwdriver to unclip the shrouds from the brackets when required.**

Slide the ceiling plate up to the ceiling to cover the entry hole.

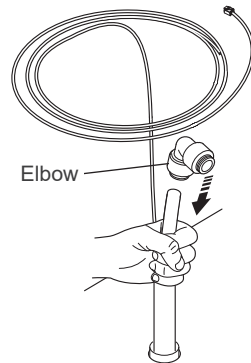


- 4** Mark the fixing holes for both brackets. Remove the slide bar assembly and drill into the marked holes to suit the wall fixings.

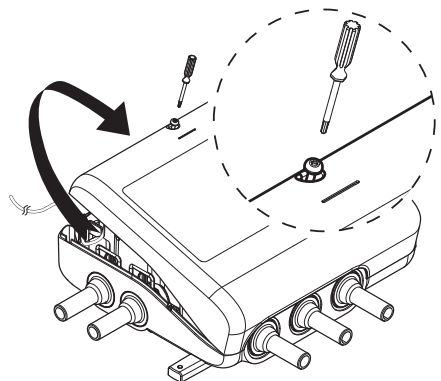
Insert the wall plugs.



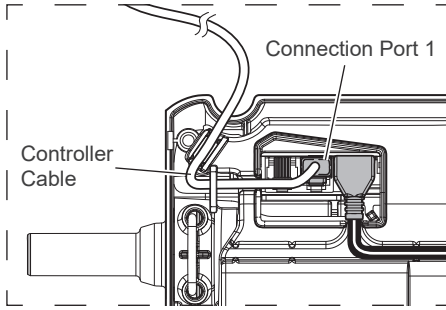
- 6** Use the supplied elbow to connect to the digital mixing valve.



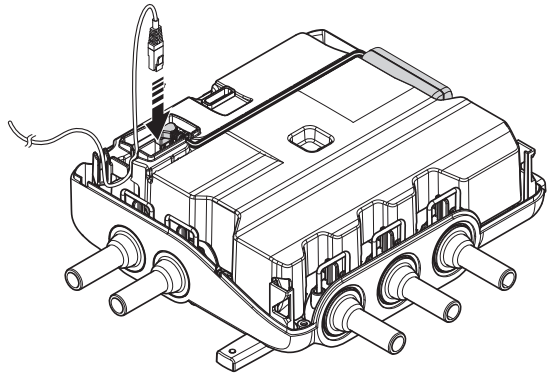
- 7** Loosen the screw and remove the lid from digital mixing valve.



- 8** Connect user controller cable to digital mixing valve connection port 1 and route the cable to the user controller location.



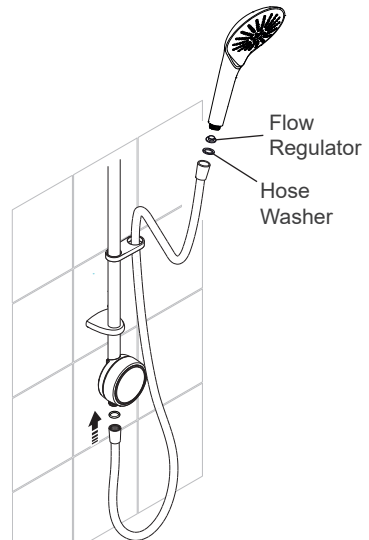
**Top View**



- 9** Fit the shower hose to the end of the slide bar assembly.

Route the hose through the retaining ring and fit to the handset.

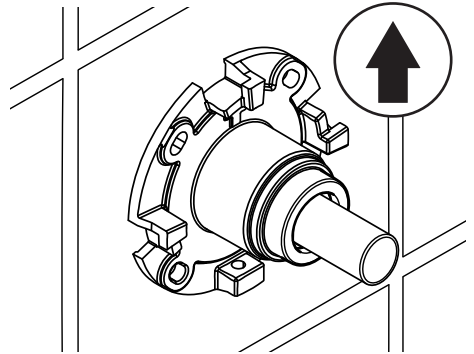
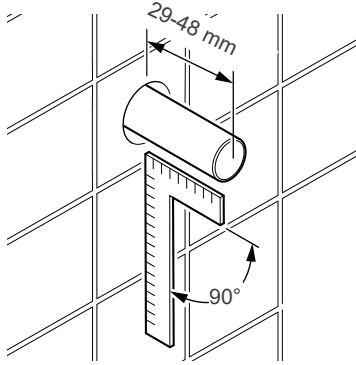
**Note: DO NOT fit the handshower until after pipework has been fully flushed through. Refer to 'Commissioning'.**





# Installation: Rear Fed Shower Fittings

- 1** Trim the pipework back to the required depth from the finished wall surface. Remove all burrs and sharp edges.
- 2** Disassemble the right angle connector assembly and mark the locations of the screw fixings.



- 3** Drill the fixing holes and fit the wall plugs.

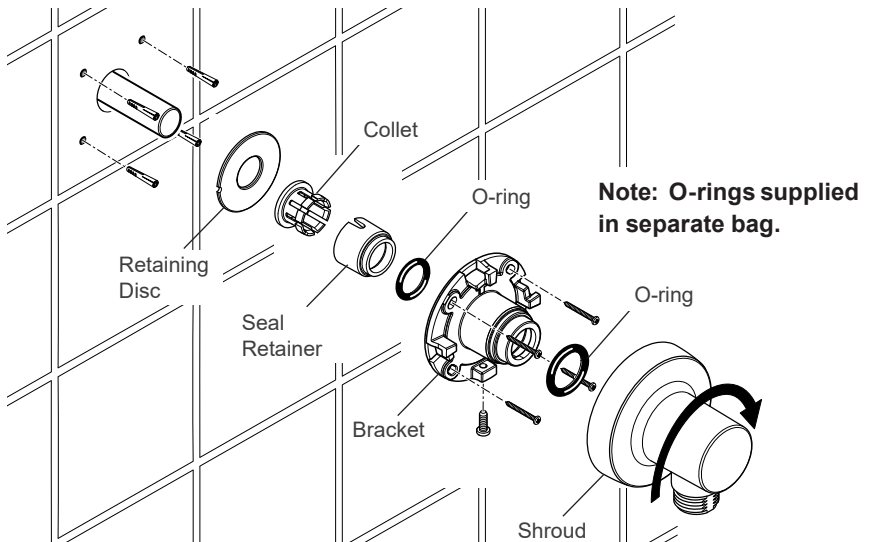
**Caution! Be aware of hidden pipes or cables.**

Assemble the retaining disc, collet, seal retainer and small o-ring on to the pipe.

Slide over bracket and secure with 4 x screws supplied, by hand.

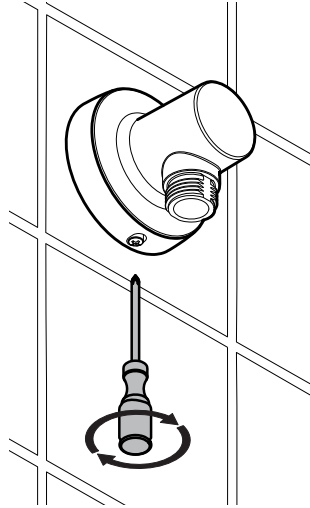
Insert large o-ring over bracket.

**Important! Ensure arrow on backplate is oriented vertical as shown below.**



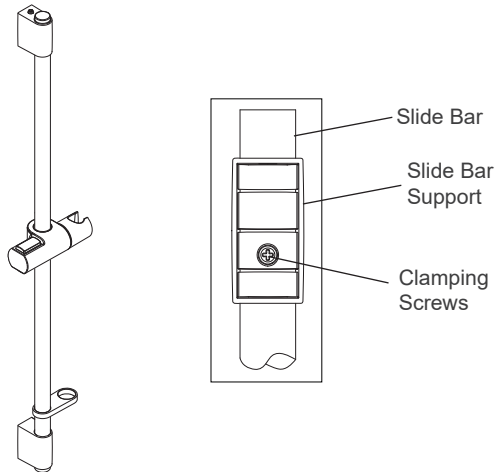
**4** Twist the shroud and fix using the locking screw.

**Important! Flush the pipework before fitting the hose and handset.**



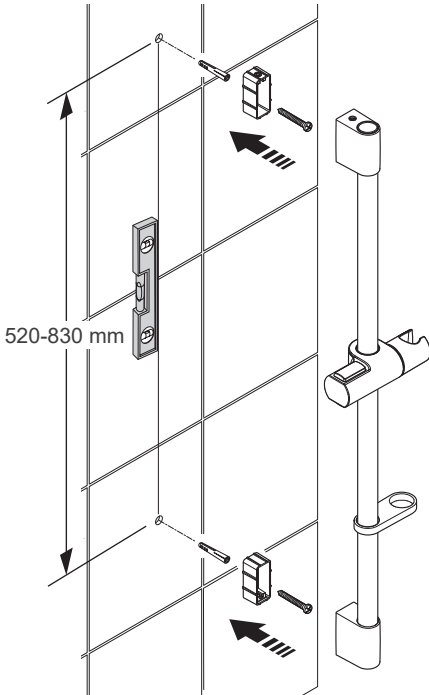
**5** Fit all the components onto the slide bar and position the slide bar assembly against bathroom wall in desired position and mark the fixing holes for both brackets.

Carefully remove the slide bar assembly and tighten the screw on the back of the slide bar support to secure in position. **DO NOT** tighten slide bar clamping screw more than 1/2 turn.



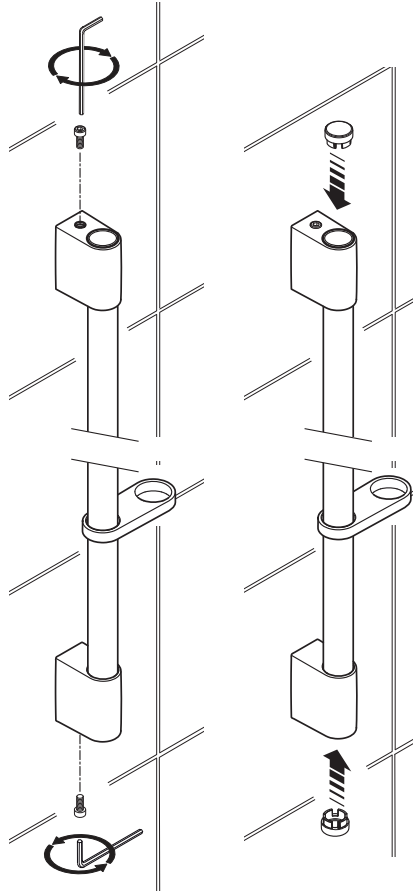
**6** Drill two holes to suit the wall fixings. Fit the wall plugs and the mounting brackets and secure with the wall screws.

**Note: Check for vertical alignment before tightening. The mounting brackets are slotted to aid alignment. Then fully tighten.**



**7** Secure the slide bar supports using the locking screws at both ends of slide bar.

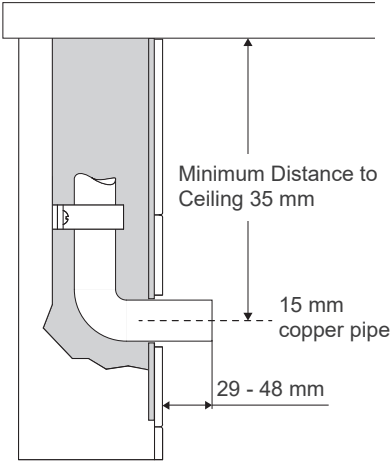
Insert the caps into both ends of slide bar.



# Installation: Deluge Overhead

## A. Rear Fed

- 1** Note: Trim the pipework back to the required depth from the finished wall surface. Remove all burrs and sharp edges.



- 2** Choose desired length of arm and cut neatly using a hack saw or a 22 mm pipe slice fitted with a stainless steel cutting blade. Remove all burrs and sharp edges.



**3** Disassemble the overhead mount assembly and mark the locations of the screw fixings. Drill the fixing holes and insert the wall plugs.

**Caution! Be aware of hidden pipes or cables.**

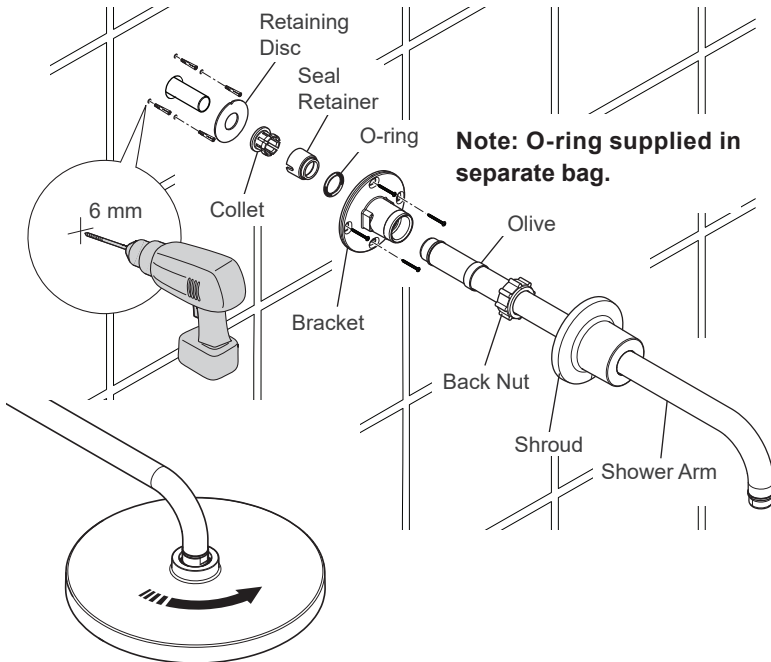
Assemble the retaining disc, collet, seal retainer and small o-ring on to the pipe.

Slide over the bracket and secure with 4x screws supplied.

Slide the shroud, nut and olive over cut end of the showering arm.

Insert cut end of showering arm in to the bracket and tighten the nut.

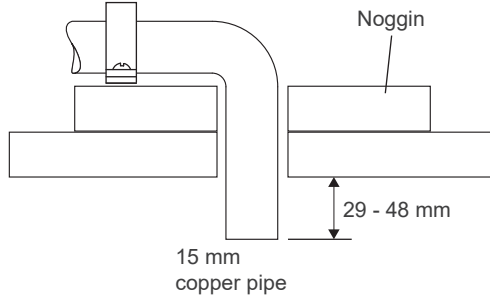
Slide shroud over the bracket.



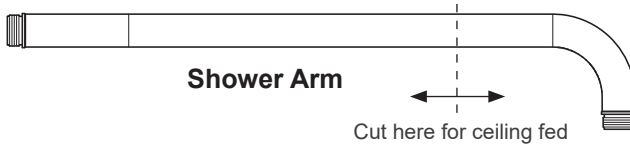
**Important! Flush the pipework before fitting the deluge overhead.**

# B. Ceiling Fed

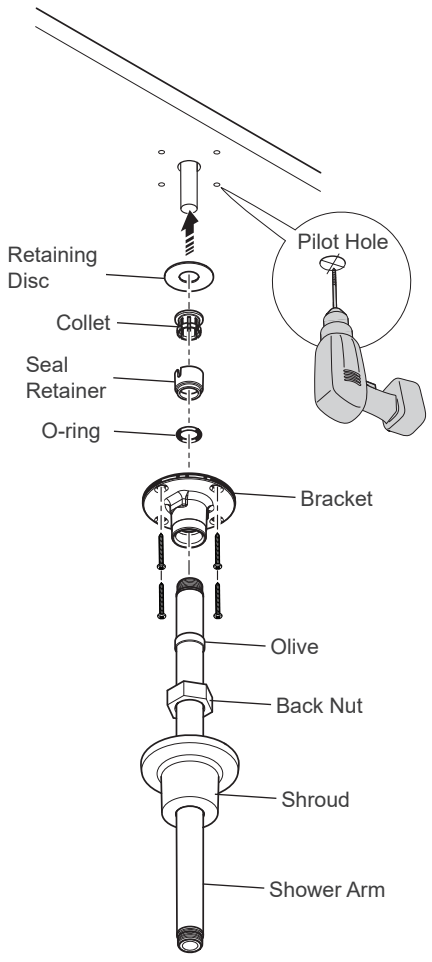
- 1** Note: Trim the pipework back to the required depth from the ceiling surface. Remove all burrs and sharp edges.



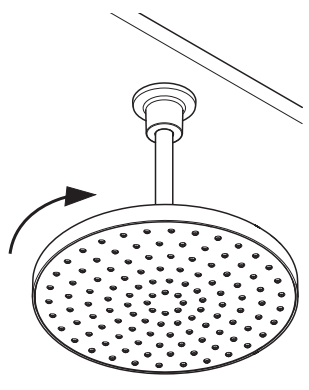
- 2** Choose desired length of arm and cut neatly using a hack saw or a 22 mm pipe slice fitted with a stainless steel cutting blade. Remove all burrs and sharp edges.



# 3



**Note: Alternative longer screws (No. 8 countersink) might be required to ensure engagement with noggins in ceiling. Do not screw directly in to plasterboard.**



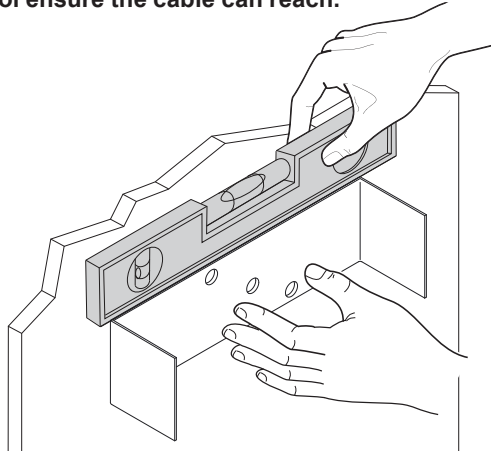
**Important! Flush the pipework before fitting the deluge overhead.**

# Installation: User Controller

- 1 Position the installation template (supplied) at the position on the wall where you intend to install the user controller.

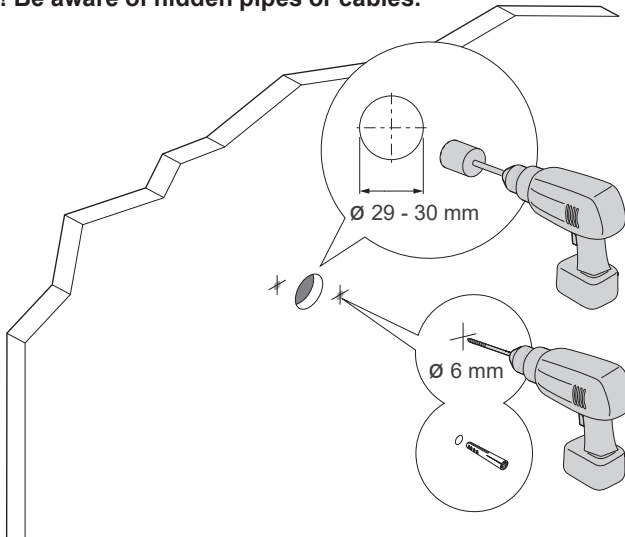
Make sure that the installation template is levelled and on a flat surface, the controller must not cover any grout lines.

**Caution! The user controller cable is max. 9.8m in length. When positioning the user control ensure the cable can reach.**



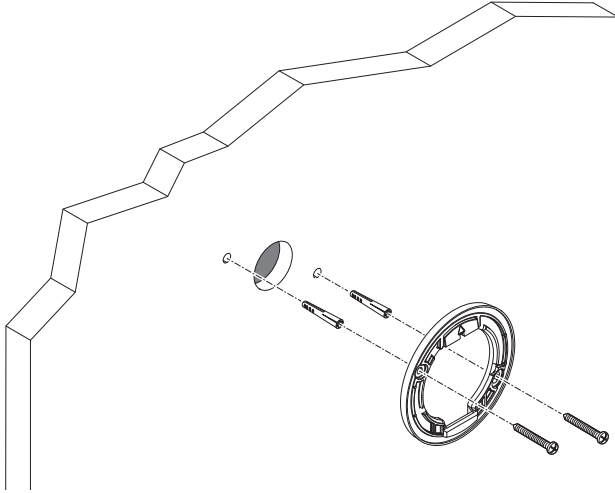
- 2 Using a suitable drill and hole saw, drill the hole for the controller cable and backplate as per the dimensions given.

**Caution! Be aware of hidden pipes or cables.**

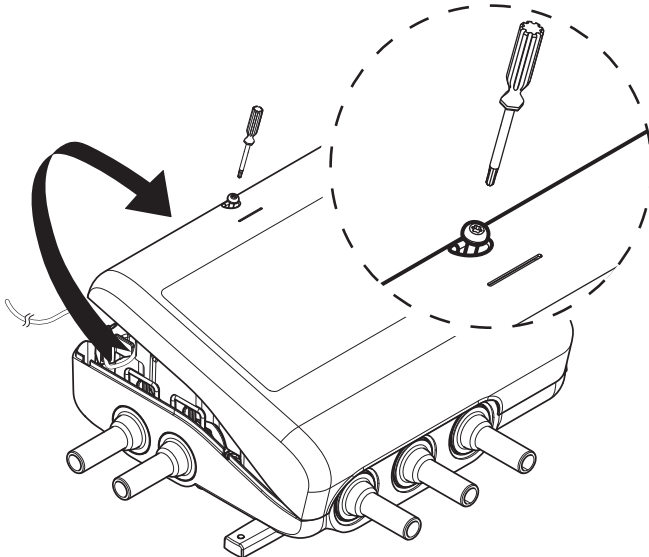




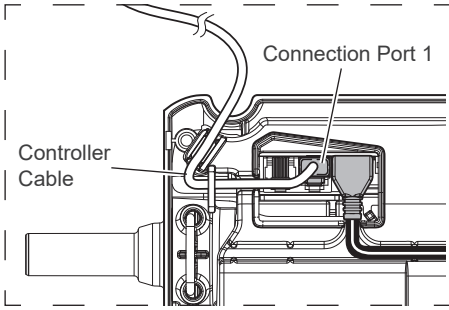
- 3** Apply silicone sealant around screw holes before inserting the wall plugs.  
Fit the backplate to the wall in the orientation shown using the fixing screws (supplied).  
Tighten by hand, do not over tighten.



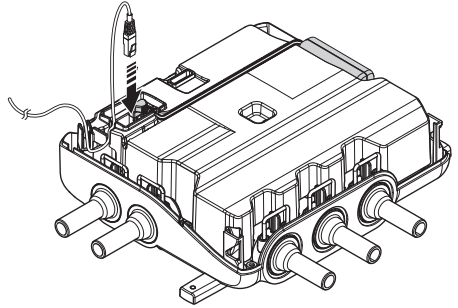
- 4** Loosen the screw and remove the lid from the digital mixing valve using a pozi (PZ2) screwdriver.



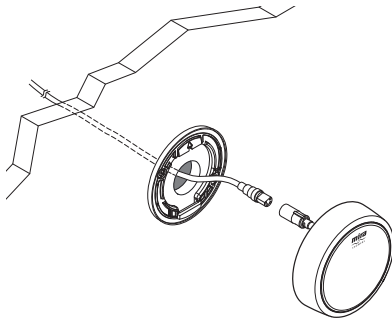
- 5** Connect the user controller cable to digital mixing valve connection port 1 and route cable to the user controller location.



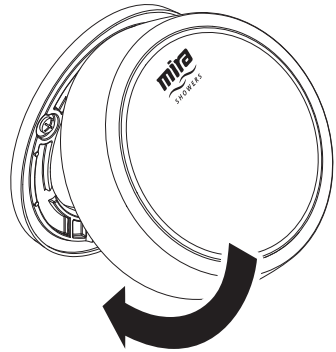
**Top View**



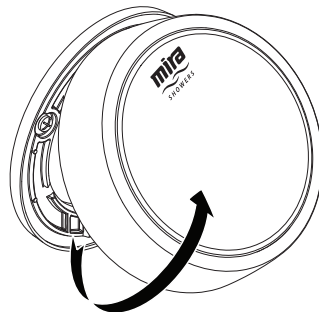
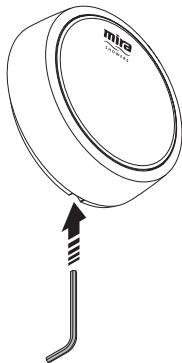
- 6** Connect the cable on the back of the user controller to the cable that comes from the valve.



- 7** Locate the top of the user controller in the backplate and press down on the bottom button as you install in position.



**Note:** To release the controller, insert the hex key into the hole at the bottom of the interface wall plate.



# Commissioning & Starting the Shower

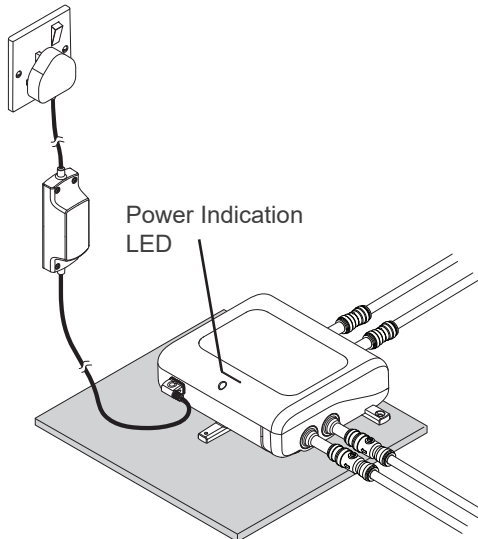
**WARNING!** For the Pumped low pressure valve you must follow the separate valve commissioning sequence in the section below.

- 1 Turn on the water supply and open water inlet supply isolators.

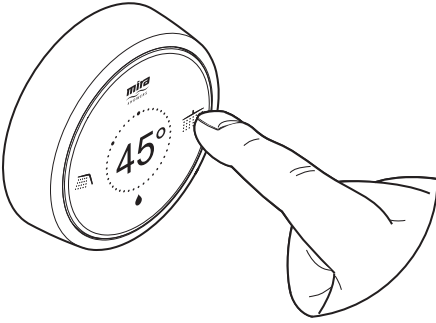


- 2 Turn on the electrical supply to digital mixing valve.  
The digital mixing valve will power and perform a self check where the LED will indicate a RED light initially and will then change to BLUE light after a few seconds.

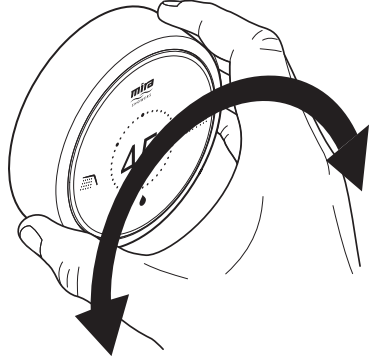
**Note:** If the LED does not turn to a solid BLUE light after 10 seconds, indicating the product is ready to use, refer to the troubleshooting or fault diagnosis section.



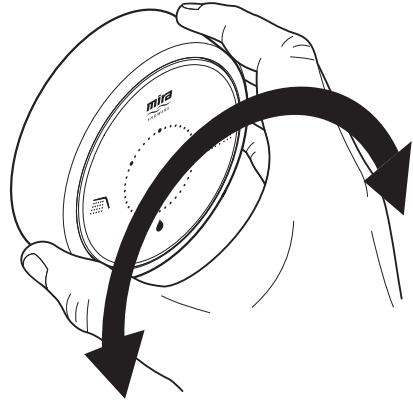
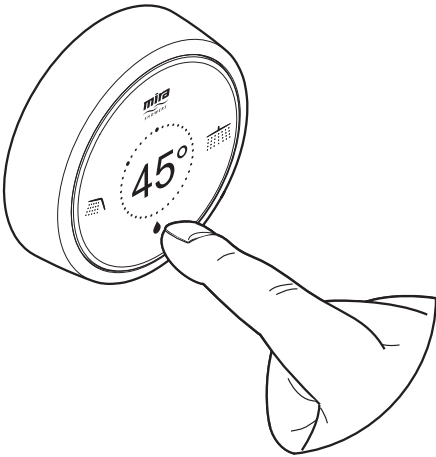
**3** Start the shower by pressing the outlet icon buttons.



**4** Adjust the temperature by rotating the bezel .



**5** Adjust the flow by pressing the flow icon and then rotating the bezel.



# Commissioning (Applies to Pumped Valve only)

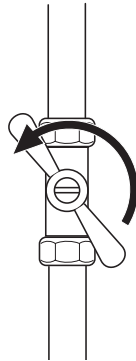
**WARNING: Silent pump cannot be dry run for extended period.**

**1** Ensure all items on the below checklist have been ticked off prior to commissioning.

- This is a gravity system product, do not install on a mains pressure system.
- Ensure product is installed in a recommended orientation.
- Ensure pipework is completely free of airlocks & dead legs.
- Ensure pipework is flushed & isolators are turned on.
- Ensure supplies are correctly plumbed, are on & tanks full.
- Ensure handset is removed, hose dropped & directed to waste.

The remote on/off button will not operate until commissioning has been completed.

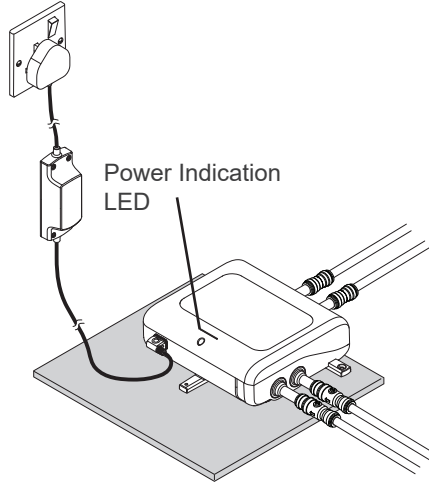
**2** Turn on the water supply and open water inlet supply isolators.



**3** Turn on the electrical supply to digital mixing valve.

The digital mixing valve will power and perform a self check where the LED will indicate a RED light initially and will then change to a BLUE/RED flashing light after a few seconds.

**Note: If the LED does not turn to a BLUE/RED flashing light after 10 seconds, indicating the product is ready to commission, refer to the troubleshooting or fault diagnosis section.**



**4** Commissioning Required.

The controller will indicate commissioning is required. Ensure the checklist is completed and initiate commissioning by pressing 'Start'. Do not leave the product unobserved during commissioning. If you need to abort the process, press 'Cancel'.

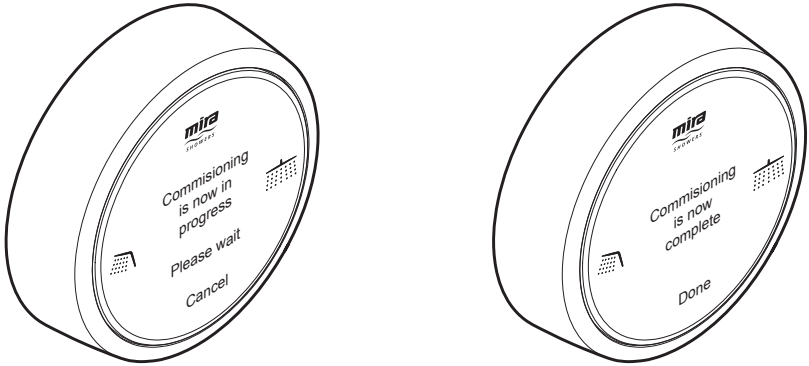
**5** Indicate Flow.

Wait for water to flow from the end of the hose, then move on to the next step by pressing the flashing handset button on the user controller. The product may proceed by itself if your water pressure is sufficient.



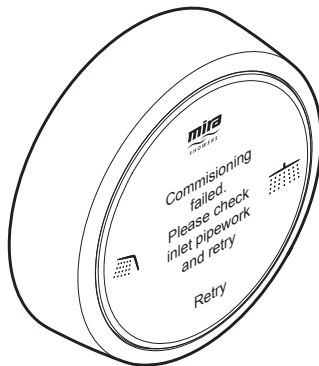
## 6 Pump Commissioning.

The product will then commission the pump. Wait for this to be completed. A noisy pump is OK, but is indicative of a lack of water – this may suggest supply issues. The product will indicate when the process is complete. Press 'Done' to move on.



## 7 Failed Commissioning.

If commissioning has failed, the product will indicate this. Review the installation and retry.



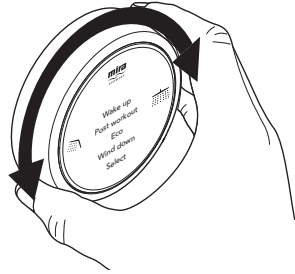
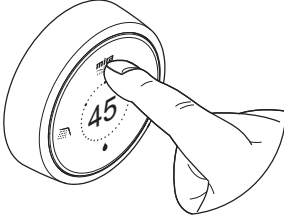
## 8 Recommissioning.

If recommissioning is required at any point in the future, this can be completed using the Mira Showers app.

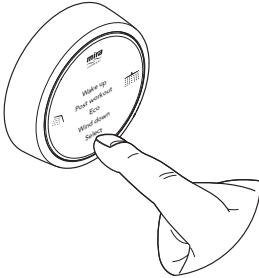
# User Controller: Features

## A. Accessing the presets and menu system

- 1 Press the Mira button to access the default shower presets.
- 2 Rotate the bezel to select the desired preset.



- 3 Press the flow button to activate the selected preset.



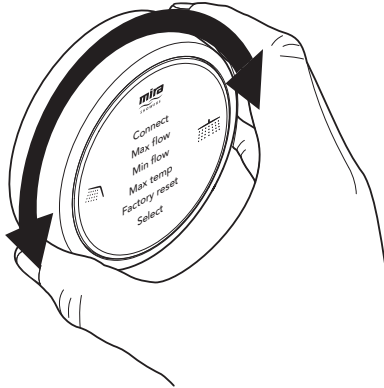
- 4 Download the companion Mira Showers app to adjust the default shower presets or create your own.

Preset Name	Description	Suggested Spray Mode
Wake up	Medium flow – 10 l/min Medium temperature - 39 degrees 8 minute timer Handset on saturate spray	
Sport	High flow – 12 l/min Cool temperature – 37 degrees 10 minute timer Handset on soothe spray	
Eco	Low flow - 8 l/min Cool temperature - 38 degrees 5 minute timer Handset on saturate spray	
Wind down	Low flow – 8 l/min Medium temperature – 39 degrees 10 minute timer Overhead only	



## B. Settings menu

The settings menu is accessible via the preset menu. The menu can be navigated by using the rotary bezel for scrolling items, the droplet button for confirmation and the Mira button as cancel/back.



Setting	Description	Variables
Connect	Enables Bluetooth pairing mode to app or remote	N/A
Max. flow	Sets maximum flow rate	High pressure valve - 4-16 lpm Low pressure valve - 6-12 lpm
Min. flow	Sets minimum flow rate	High pressure valve - 4-16 lpm Low pressure valve - 6-12 lpm
Max. temp	Maximum temperature set-point	30° - 48°
Warm Up Mode	Enables warm up and delayed start	On/Off
Brightness	Display and LED brightness	Low, Medium and High
Vibration	Enables/disables vibration feedback	On/Off
Restart valve	Restarts valve and UI's	N/A
Factory reset	Factory resets valve and UI's	Confirm
About	Displays Valve and UI software number	N/A

**Caution!** The MENU system for settings can only be accessed when the shower is in the OFF state.

# Set Up: Mobile App

You can set up and customise your shower using your Apple iPhone or Android Phone with the companion Mira Showers app.

- 1 Download the Mira Showers app from appropriate app store for your device.



**Note: Not all Apple or Android devices are compatible - please refer to the relevant app store compatibility listing for more details and ensure your device's Operating System is up to date with the latest updates.**

**Mira endeavour to ensure that the Mira Showers app is compatible with the latest versions of Apple and Android Operating System. If your device is not capable of running the latest versions of Operating Systems the Mira Showers app may NOT be compatible with your device.**

Your shower can be set up either by using the Controller or via the Mira Showers app. See "User Controller" section.




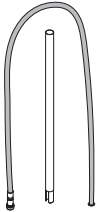

- 2 Once the Mira Showers app has been installed, open the app on your device and follow the on-screen instructions to connect your phone to your Digital Mixing Valve.

- 3 You can then use the Mira Showers app to customise and control your Digital Mixing Valve remotely.

**Warning! Never remotely operate or alter any of the Mira Activate shower settings if it is already occupied and / or being used by another person. This could result in flooding of the shower cubical or scalding of the user.**

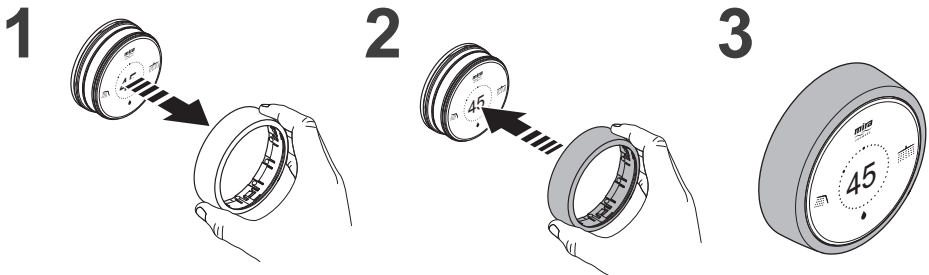
The Bluetooth® word mark and logos are registered trademarks owned by the Bluetooth SIG, Inc. and any use of such marks by Kohler Mira Ltd is under license. Other trademarks and trade names are those of their respective owners.

# Accessories

	Product	Product Code
	Mira Activate Accessory Bezel Matt Black	2.1903.094
	Mira Activate Accessory Bezel Brushed Nickel	2.1903.095
	Mira Activate Accessory Bezel Titanium	2.1903.096
	Mira Activate Ceiling Fittings Extension Kit	1.1903.097
	Mira Activate Wireless Remote Accessory	2.1903.098

## Replacing an Accessory Bezel

**Caution!** Isolate the digital mixer electrical supply before removing bezel to inadvertently avoid turning the shower on during bezel replacement.



# Fault Diagnosis

Read the section “Important Safety Information” first. As with most electronic equipment resetting the digital mixing valve by powering it down waiting a few seconds then powering it up again can often cure most issues.

Providing the Digital Mixer Valve has been correctly installed and is operated in accordance with the instructions contained in this guide, difficulties should not arise. If any maintenance is required, then it must be carried out by a competent tradesperson. Before replacing any parts make sure that the underlying cause of the malfunction has been resolved.

**WARNING! There are no user serviceable components beneath the cover of the appliance. Only a competent tradesperson should remove the cover.**

The digital mixing valve has built-in sensors to help diagnose system and product issues. To access these advanced diagnostics features, please download the Mira Showers app (see section “Set Up: Mobile App”).

Please follow this self-diagnosis section to be sure the product is at fault before contacting Mira.

## Diagnosis stage 1 (Error code check):

In the first instance, check your product has no error warning displayed on the controller. You can also check for error codes on the Mira Showers app.

Only some errors are displayed on the controller. You will need to download the Mira Showers app for full diagnosis and error functionality.

If you have an error code not listed below, or if the errors continue to occur after it has been reset, please contact Mira customer services team to resolve the issue.

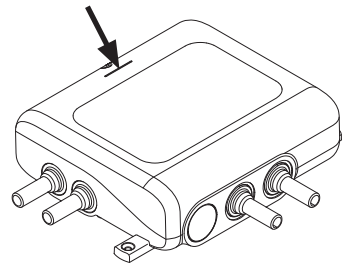
If you do not have an error code, proceed to Diagnosis stage 2

Error Code	Description and remedial action
3, 7, 9	Outlet temperature too hot. Try powering off the product for 30 seconds or resetting in the Mira Showers app. <b>Refer to diagnosis section 4d.</b>
4	Outlet thermistor not detected - contact Mira customer services team.
11 or 111	<b>DO NOT ATTEMPT TO OPERATE YOUR PRODUCT.</b> A temperature of less than 0°C has been detected in your product which could have caused internal damage leading to potential leaks. It is essential that your product is protected from freezing conditions otherwise serious damage can occur. <b>Warning! If the valve module has been subjected to freezing conditions it may require inspection to ensure internal damage has not occurred, (contact your installer). If no sign of leaks, reset the product by powering off for 30 seconds or re-setting in the Mira Showers app. Ensure there are no leaks when shower first used.</b>
37, 40	A software error has been detected. Try powering off the product for 30 seconds or resetting in the Mira Showers app.

Error Code	Description and remedial action
45	An outlet solenoid error has been detected. Try powering off the product for 30 seconds or resetting in the Mira Showers app.
50	No (or very low) flow has been detected by the product. This can be caused by the inlet water supply being isolated or restricted. Check isolators are open and that the filters or handset and hose are not blocked. Resolve the issue then reset error by powering off the product for 30 seconds or resetting in the Mira Showers app. <b>Refer to diagnosis section 4b.</b>
53	Flow has been detected when the product should be off. Try powering off the product for 30 seconds or resetting in the Mira Showers app. <b>Refer to diagnosis section 4c.</b>
54	Unusually high flow has been detected. Try powering off the product for 30 seconds or resetting in the Mira Showers app.
55	User Interface stuck button detected. Check that your user interface is free to move and then power off the product for 30 seconds or reset the product in the Mira Showers app. If the error re-appears please contact Mira customer services team.
66	User Interface has lost communications with the valve. Check the connection cable is intact and plugged into the valve securely. Power off the product for 30 seconds or reset the product in the Mira Showers app. If the error re-appears please contact Mira customer services team.
110	Hot Inlet thermistor not detected - contact Mira customer services team.
112	A hot inlet water temperature above the specification has been detected. This can cause dangerous temperature spikes or product damage. Resolve the issue then reset error by powering off the product for 30 seconds or resetting in the Mira Showers app.

### Diagnosis stage 2 (Valve status check):

If you do not have an error code, or if the controller is not functional you should then check the status indicator light on the product.



Power Indicator Status	Description
Blue	Product should be functional. If your product is still exhibiting problems continue to <b>Diagnosis stage 4.</b>
Red	Product has an error. Follow Diagnosis stage 1 or continue to <b>Diagnosis stage 4.</b>
Flashing Red/Blue	(Pumped Product Only) Product is in priming sequence. Follow the commissioning sequence in "Commissioning Section".
Off	Product is not receiving power. <b>See Diagnosis stage 3.</b>

### **Diagnosis stage 3 (No Power to the product):**

1. Check the product is plugged in and switched on.
2. Check the power connector from the power supply is securely connected into the back of the digital mixing valve.
3. Check the circuit breaker or RCD in your consumer unit has not tripped.
4. Check the fuse and replace if necessary (3 Amp).
5. Contact Mira Customer Service Team if none of the above restored power to the digital mixing valve.

### **Diagnosis stage 4 (Product powered, but no error code):**

If you have a problem with your shower but do not have an error code, find the relevant section and follow the recommendations before contacting Mira.

#### **4a - Controller not powered:**

1. Check the digital mixing valve is functional (Diagnosis stage 2).
2. Turn off the valve for 30 seconds and re-power. This will restart the controller.
3. Check the controller's extension lead is plugged into the valve and that the cable is not damaged.
4. For wall mount Controllers only, remove the controller and check the connector to the extension lead is fully inserted and not damaged or wet.
5. Contact Mira Customer Service Team if none of the above resolved the issue.

#### **4b - No Flow / Low Flow:**

Low flow through the product normally indicates a restriction in the system, or incorrect system pressures.

1. Check there are no digital mixing valve errors (**Diagnosis stage 1**).
2. Check the flow on the controller is not set too low. Check Min and Max settings.
3. Check the inlet isolators to the digital mixing valve are fully open.
4. For mains-fed (High Pressure / Combi) products, check that the incoming supply to the property is not too restrictive. Fully open the stop cock and check that the 'Pressure Reducing Valve' (if fitted) is not set too low. Refer to the 'Minimum maintained pressure' requirement for your product.
5. Check and clean the inlet filters (refer to "Cleaning and Maintenance Section").
6. Check for restrictions in the shower head / hose and clean or replace if necessary.
7. Use the Mira Showers app to check your hot water temperature is within specification.
8. Use the Mira Showers app to check your system flow indicator.
9. Contact Mira Customer Service Team if none of the above resolved the issue.

#### 4c - Product flowing water when switched off:

The digital mixing valve reduces the water flow slowly before final shut-off to reduce the severity of water hammer. The time duration depends on the flow rate and system pressures. This is normal and not a product fault.

Shower fittings can continue to drain down after the digital mixing valve is shut off, especially where there are large volumes of water present (e.g. large deluge heads or long pipe runs). This process can take several hours and may be triggered by changes in temperature or atmospheric pressure. This is normal and not a product fault. We would therefore recommend that all water outlets are kept contained within the water catchment area.

1. Check the issue is not a natural draining of the fittings. Remove the fittings and monitor the outlet if necessary.
2. Activate the shower a number of times at maximum flow to dislodge any debris.
3. If none of the above resolved the issue, isolate the water and power supply and contact Mira Customer Service Team.

#### 4d - Showering temperature is hotter / colder than indicated or is fluctuating:

**Note: The temperature displayed on the user interface is measured inside the digital mixing valve, not at the shower outlet.**

The perceived temperature of the water from your shower can vary with shower fittings and room temperature. A wider, finer spray will cool more quickly and feel cooler than a direct spray, and long outlet pipe runs can also influence the blend temperature, in which case you may need to adjust the showering temperature.

- 1. Combi Boiler fed products:** Check the hot water supply is hot enough when the shower is in use. Combi boilers are sometimes unable to maintain temperatures at higher flows or may cut-out at lower flows. Check no other devices are using hot water at the same time. Reduce or increase the outlet flow to around 8 litres per minute and see if that solves the issue. Tip: Use the Mira Showers app to check the temperature of the hot water inlet when the shower is running.
- 2. Hot water storage tank fed products:** Check the hot water supply is not being depleted in use. Reduce the outlet flow or reduce showering time and see if that solves the issue. Tip: Use the Mira Showers app to check the temperature of the hot water inlet when the shower is running.
3. Check the hot and cold supplies are connected to the correct inlets, and that the temperature and pressures are within the product specification and are stable. Inlet water pressures must be nominally equal. **Note: Use the Mira Showers app to check the temperature of the hot water inlet.**
4. Check no other devices are using water at the same time. Devices switching on/off (e.g. washing machines, taps etc.) can rapidly change the water pressure of the system causing rapid pressure and temperature changes.
5. Ensure Inlet filters and check valves, shower head and hose are not blocked (refer to "Cleaning and Maintenance Section").
6. If none of the above resolved the issue, and the measured temperature is significantly different to that on the controller display, contact Mira Customer Service Team.

#### **4e - Shower turning off too soon:**

1. Check to see if you have 'Warm Up' mode enabled. This is designed to 'pause' the shower once showering temperature is reached.
2. Check to see if you have a maximum showering duration set. This is designed to turn off the shower after a pre-determined duration.
3. Check to see if you are using pre-defined showering experiences. These may turn off the shower after a pre-determined duration.
4. The shower is designed to turn off after 30 minutes.
5. Use the Mira Showers app to check the error log. The shower is designed to turn off if the outlet temperature is too high.
6. Check inlet water temperature and pressures are within specification. The shower may turn off if these are out of specification. Tip: Use the Mira Showers app to check the temperature of the hot water inlet.
7. If none of the above resolved the issue, contact Mira Customer Service Team.

#### **4f - Noise:**

1. Pumped digital mixing valves can get air locked if not installed in accordance with the instructions in this guide and may exhibit outlet flow fluctuations and a high pitch "squealing" noise. Ensure the plumbing system eliminates air locking.
2. Some plumbing systems can produce "water hammer". To reduce this effect, ensure all pipework is securely fixed.
3. The type of wall or flooring the appliance is fixed to will affect the perceived noise level from the product. For a quieter operation install the product to solid walls or structures.
4. If none of the above resolved the issue, contact Mira Customer Service Team.

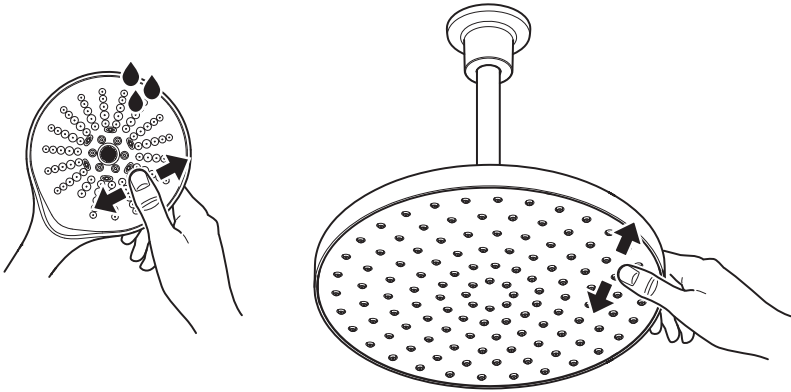


# Cleaning and Maintenance

## Cleaning

Many household and commercial cleaners, including hand and surface cleaning wipes contain abrasives and chemical substances that can damage plastics, plating and printing and should not be used. These finishes should be cleaned with a mild washing up detergent or soap solution, and then wiped dry using a soft cloth.

**Important! Keeping the showerhead clean and free from limescale will ensure that your shower and showerhead continue to perform to their maximum. A blocked showerhead can restrict the flow rate and may cause damage to your shower. Use your thumb or a soft cloth to wipe any limescale from the nozzles.**



## Inspecting the hose

**Important! The shower hose should be inspected periodically for damage or internal collapse. Internal collapse can restrict the flow rate from the showerhead and may cause damage to the shower. Remove the shower hose from the shower, inspect and replace the hose if necessary.**

# Replace/Clean the Check Valves/Filters

**Read the section “Important Safety Information” first.**

Before replacing any parts, ensure that the underlying cause of the malfunction has been identified. If the digital mixing valve is dismantled during installation or servicing then upon completion the product must be inspected to ensure there are no leaks.

**WARNING! There are no user serviceable components beneath the cover of the appliance. Only a competent tradesperson should remove the cover.**

## Check valve Cartridges and Filters - Removal and Installation

Hot water entering the cold supply, or vice versa, indicates that immediate attention is necessary. This is carried out by removing and cleaning, or renewing as necessary, the check valve cartridges.

**Note: Running your product without inlet filters can cause valve damage and will invalidate your product guarantee.**

Isolate the electrical and water supplies to the digital mixing valve, and open an outlet fitting to release pressure and to assist the draining of residual water.

Loosen the screw and remove the cover from the digital mixing valve.

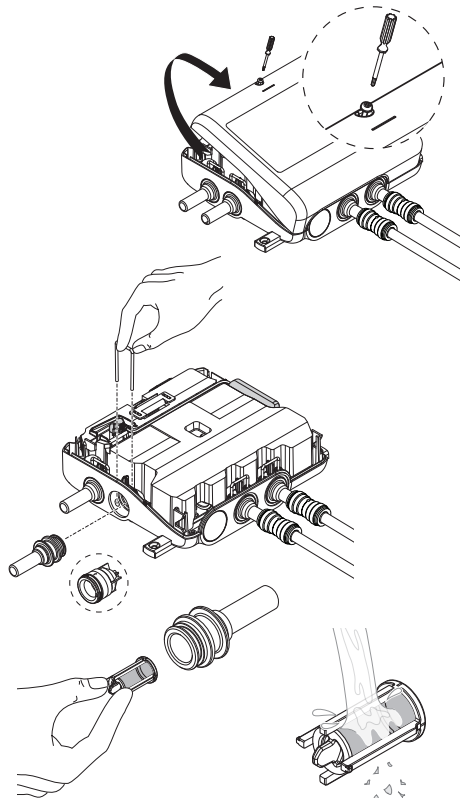
Carefully remove the clip and pull out the filter housing.

Remove the filter and rinse in clean warm water removing any dirt or debris. Replace if the filter mesh is damaged.

If the check valves needs to be replaced, carefully remove them from inside the product and replace with new parts.

Refit the filter housing into digital mixing valve. Insert the clip to secure the filter housing.

Refit the supply pipes and restore water supply and electrical supply. Test shower and check for leaks.



# Disposal and Recycling

When this appliance has reached the end of its serviceable life it should be disposed of in a safe manner, in accordance with current local authority recycling or waste disposal policy. For more information about recycling, please contact your local council office.

## Decommissioning and Recycling for WEEE



Electrical and electronic devices contain a range of materials that can be separated for recycling and used in new products. This product should not be disposed of with your general household waste. When this product has reached the end of its serviceable life please take it to a recognised WEEE (Waste Electrical and Electronic Equipment) collection facility such as your local civic amenity site for recycling. Your local authority or retailer will be able to advise you of your nearest recycling facility.

## Frequency Bands and Maximum Radio Frequency Power

Hereby, Kohler Mira Ltd. declares that the radio equipment type Mira Activate is in compliance with Directive 2014/53/EU. The full text of the EU declaration of conformity is available at the following internet address: [www.mirashowers.co.uk](http://www.mirashowers.co.uk)

The Mira Activate operates in the 2.4 GHz frequency band at a maximum radio frequency power of +4 dBm.

## Your Product Guarantee

This product has been designed for domestic use only, it is not recommended for Commercial or Healthcare use.

For Domestic installations, Kohler Mira guarantee this product against any defect in materials or workmanship for a period of five years from the date of purchase (shower fittings for one year). Within the guarantee period we will resolve defects in materials or workmanship, free of charge, by repairing or replacing parts or product as we may choose.

This guarantee only applies in the United Kingdom and the Republic of Ireland.

## Activating Your Guarantee

Registering your guarantee is quick and simple. To ensure your product is covered, please register online [www.mirashowers.co.uk/support/guarantee-registration](http://www.mirashowers.co.uk/support/guarantee-registration).

## What is Covered

This guarantee is in addition to your statutory rights and is subject to the following conditions

- The guarantee applies solely to the original installation under normal use and to the original purchaser only. The product must be installed and maintained in accordance with the instructions given in this guide.
- Servicing must only be undertaken by us or our appointed representative.

**Note: If a service visit is required the product must be fully installed and connected to services.**

- Repair under this guarantee does not extend the original expiry date. The guarantee on any replacement parts or product ends at the original expiry date.
- For shower fittings or consumable items we reserve the right to supply replacement parts only.

## What is Not Covered

- Call out charges for non product faults (such as damage or performance issues arising from incorrect installation, improper use, inappropriate cleaning, lack of maintenance, build up of limescale, frost damage, chemical attack, where no fault has been found with the product.
- Water or electrical supply, waste and isolation issues.
- Compensation for loss of use of the product or consequential or indirect loss of any kind.
- Damage or defects caused if the product is repaired or modified by persons not authorised by us or our appointed representative.
- Routine maintenance or replacement parts to repaired or modified by persons not authorised by comply with the requirements of the TMV2 or repaired or modified by persons not authorised by TMV3 healthcare schemes.
- Accidental or wilful damage.
- Products purchased ex-showroom display.

**Any questions regarding your guarantee? Give us a call on 0800 001 4040.**

---

### UK

T: 0800 001 4040  
E: [askus@mirashowers.com](mailto:askus@mirashowers.com)  
[www.mirashowers.co.uk](http://www.mirashowers.co.uk)

### Eire

T: 01 531 9337  
E: [customerserviceire@mirashowers.com](mailto:customerserviceire@mirashowers.com)  
[www.mirashowers.ie](http://www.mirashowers.ie)



© Kohler Mira Limited, October 2020  
Mira is a registered trade mark of Kohler Mira Limited.  
The company reserves the right to alter product specifications without notice.