

Mira Mode High Pressure & Pumped Single Outlet Digital Mixer

Smart, simple showering.



Product Information

| Description | Colour | Product No. |
|---|--------|-------------|
| Mira Mode Rear Fed (High Pressure/Combi) | Chrome | 1.1980.001 |
| Mira Mode Rear Fed (Pumped for Gravity) | Chrome | 1.1980.002 |
| Mira Mode Ceiling Fed (High Pressure/Combi) | Chrome | 1.1980.003 |
| Mira Mode Ceiling Fed (Pumped for Gravity) | Chrome | 1.1980.004 |

Features & Benefits

Temperature control

- Thermostatic temperature stability with digital intelligence
- Maximum temperature setting for increased safety

Easy to fit and maintain

- Easy to install, single piece ceiling fed fittings assembly
- Rear fed fittings option suitable for wall mounted installations
- Push fit isolators

Long life filters

For your customer

- Award winning Mira Switch 4 spray showerhead
- Connected Mira app offers secondary control and remote operation
- User adjustable temperature and flow pre-sets using the Mira app
- Additional wireless remote control sold separately



To download other resources, and for more information and advice on our products just visit:
www.mirashowers.co.uk



Product Specification

Tech Details

Installation Units & Fittings

Water entry points - Back, Rear Fed; Top, Ceiling Fed

Inlet connections: 15mm push fit (supplied) or 15 mm compression

Data connection between digital valve and controller: Low voltage data cable

Digital Mixer

Inlet connections: 15mm push fit (supplied) or 15 mm compression

Outlet connection: 15mm push fit (supplied)

Data connection between digital valve and controller: Low voltage data cable

Supply voltage: 230v +10%

Supply rating: 3 amp fused plug

Supply Conditions (hot and cold)

Minimum maintained pressure: Pumped: 0.01 bar (10 cm head);
High Pressure: 0.5 bar (5 metre head)

Maximum maintained pressure: Pumped: 1.0 bar (10 metre head);
High Pressure: 5.0 bar (50 metre head)

Maximum static pressure: Pumped: 1.0 bar (10 metre head);
High Pressure: 10.0 bar (100 metre head)

Performance

Flow rate:

Default flow rate setting: 12 L/min (adjustable using the Mira app)

Minimum adjustable flow rate: 4 L/min (HP Product) or 6 L/min (Pumped Product)

The Digital Valve can deliver a maximum flow of 16 L/min at 1 bar (HP Product) or 12 L/min at 0.1 bar (Pumped Product).

The actual maximum flow will depend on the installation, system conditions and type of fittings. Refer to the 'Installation and User Guide' for more details.

Safety Features

Factory set to safe max temp: Factory set at 45°C

Approvals

WRAS approved (Water Regulations Advisory Scheme)

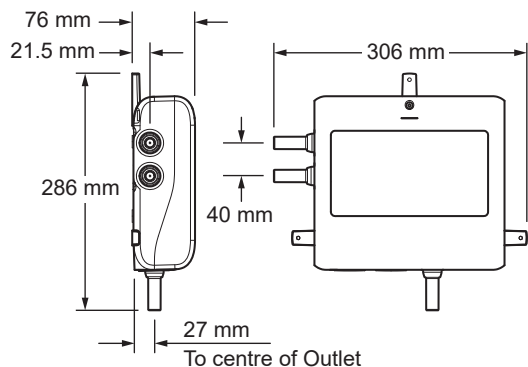
TMV2 approved

BEAB approved

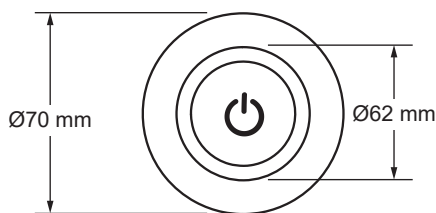
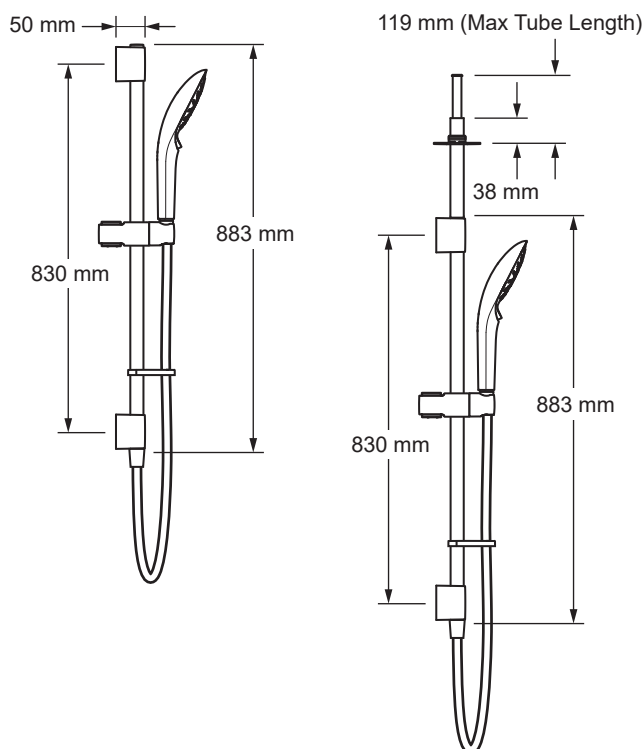
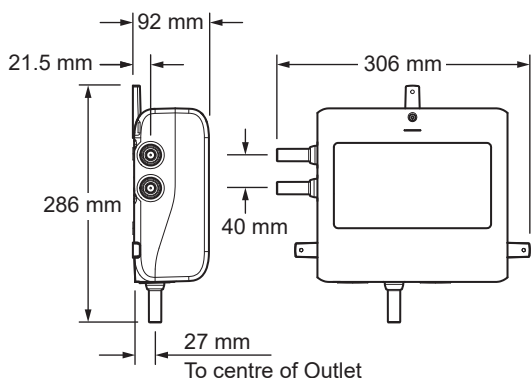


Dimensions

High Pressure, Single Outlet



Pumped, Single Outlet



To download other resources, and for more information and advice on our products just visit:
www.mirashowers.co.uk

