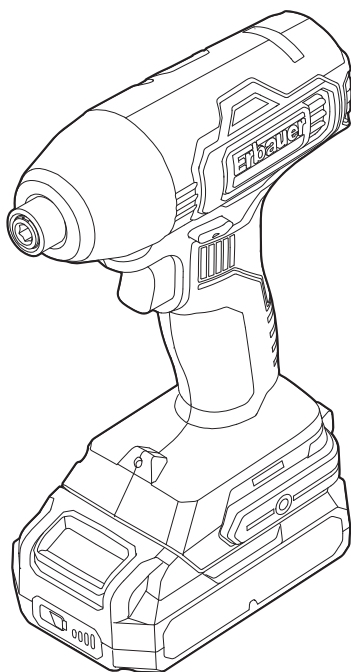




**Erbauer**



**EAN.5059340264295**

# **EBID18Li**

**ORIGINAL INSTRUCTIONS**

MNL\_EBID18Li\_V01\_BX220IM\_210615

**EN**



Safety instructions



Product description



Assembly



Use



+



Care & maintenance



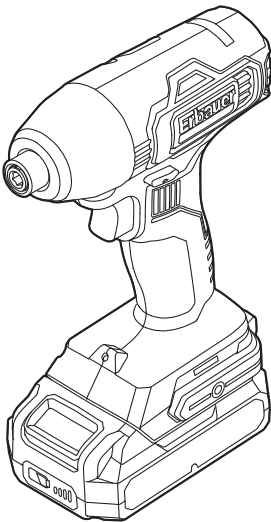
Guarantee



Declaration of Conformity



**WARNING!** Please read all safety warnings carefully and be sure that they are fully understood before handling the tool.

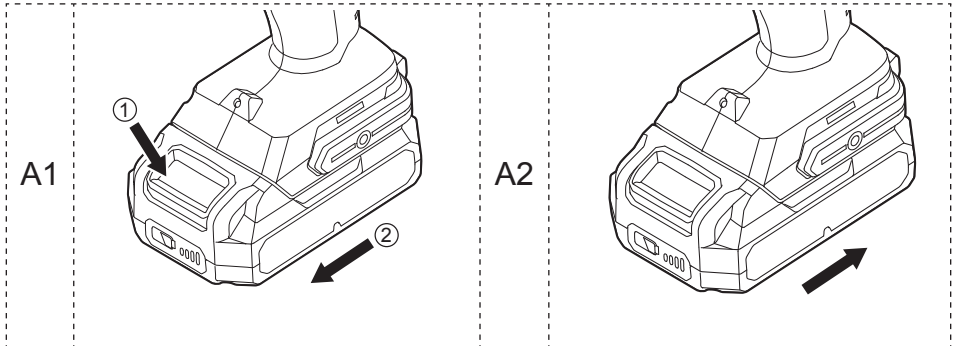
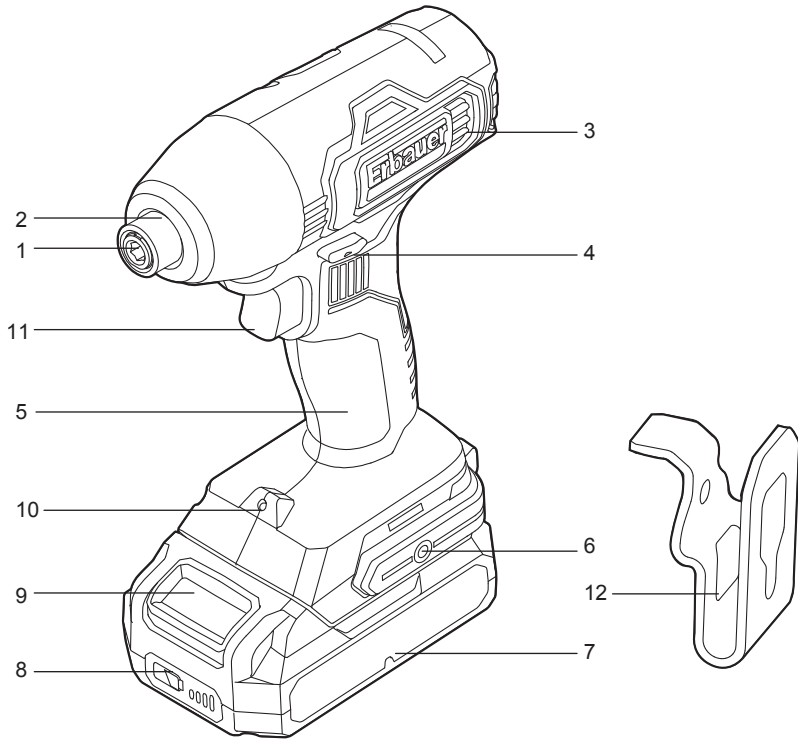


(M4x12)

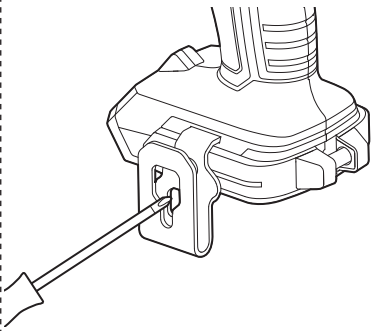




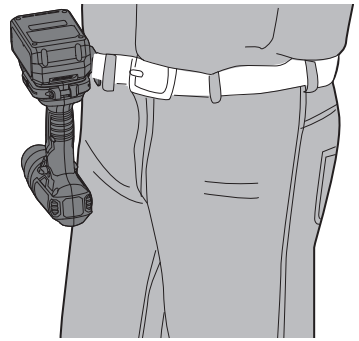
# PRODUCT DESCRIPTION



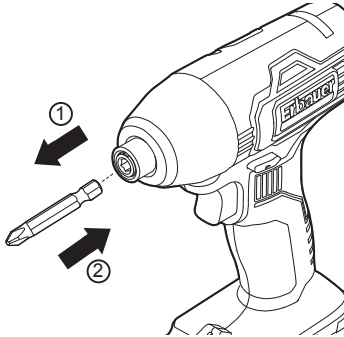
B1



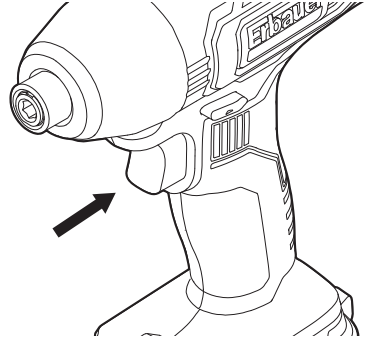
B2



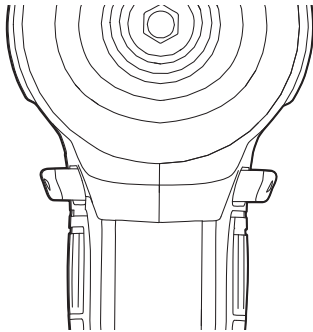
C



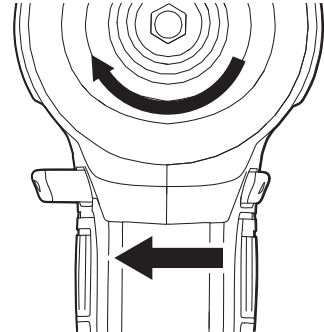
D



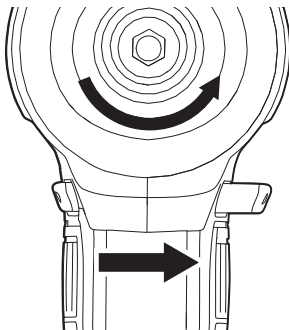
E1



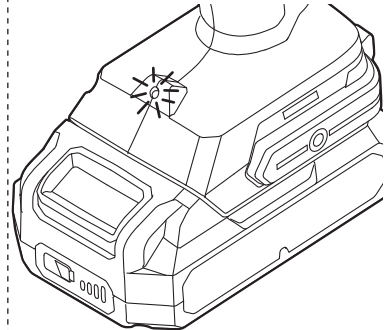
E2



E3



F





## SAFETY INSTRUCTIONS

### GENERAL POWER TOOL SAFETY WARNINGS



**WARNING!** Read all safety warnings, instructions, illustrations and specifications provided with this power tool. *Failure to follow all instructions listed below may result in electric shock, fire and/or serious injury.*

**Save all warnings and instructions for future reference.** *The term “power tool” in the warnings refers to your mains-operated (corded) power tool or battery operated (cordless) power tool.”*

#### WORK AREA SAFETY

- a. **Keep work area clean and well lit.** *Cluttered or dark areas invite accidents.*
- b. **Do not operate power tools in explosive atmospheres, such as in the presence of flammable liquids, gases or dust.** *Power tools create sparks which may ignite the dust or fumes.*
- c. **Keep children and bystanders away while operating a power tool.** *Distractions can cause you to lose control.*

#### ELECTRICAL SAFETY

- a. **Power tool plugs must match the outlet. Never modify the plug in any way. Do not use any adapter plugs with earthed (grounded) power tools.** *Unmodified plugs and matching outlets will reduce risk of electric shock.*
- b. **Avoid body contact with earthed or grounded surfaces, such as pipes, radiators, ranges and refrigerators.** *There is an increased risk of electric shock if your body is earthed or grounded.*

- c. **Do not expose power tools to rain or wet conditions.** *Water entering a power tool will increase the risk of electric shock.*
- d. **Do not abuse the cord. Never use the cord for carrying, pulling or unplugging the power tool. Keep cord away from heat, oil, sharp edges or moving parts.** *Damaged or entangled cords increase the risk of electric shock.*
- e. **When operating a power tool outdoors, use an extension cord suitable for outdoor use.** *Use of a cord suitable for outdoor use reduces the risk of electric shock.*
- f. **If operating a power tool in a damp location is unavoidable, use a residual current device (RCD) protected supply.** *Use of an RCD reduces the risk of electric shock.*

## PERSONAL SAFETY

- a. **Stay alert, watch what you are doing and use common sense when operating a power tool. Do not use a power tool while you are tired or under the influence of drugs, alcohol or medication.** *A moment of inattention while operating power tools may result in serious personal injury.*
- b. **Use personal protective equipment. Always wear eye protection.** *Protective equipment such as a dust mask, non-skid safety shoes, hard hat, or hearing protection used for appropriate conditions will reduce personal injuries.*
- c. **Prevent unintentional starting. Ensure the switch is in the off- position before connecting to power source and/or battery pack, picking up or carrying the tool.** *Carrying power tools with your finger on the switch or energising power tools that have the switch on invites accidents.*
- d. **Remove any adjusting key or wrench before turning the power tool on.** *A wrench or a key left attached to a rotating part of the power tool may result in personal injury.*
- e. **Do not overreach. Keep proper footing and balance at all times.** *This enables better control of the power tool in unexpected situations.*

- f. **Dress properly. Do not wear loose clothing or jewellery. Keep your hair, clothing away from moving parts.** *Loose clothes, jewellery or longhair can be caught in moving parts.*
- g. **If devices are provided for the connection of dust extraction and collection facilities, ensure these are connected and properly used.** *Use of dust collection can reduce dust-related hazards.*
- h. **Do not let familiarity gained from frequent use of tools allow you to become complacent and ignore tool safety principles.** *A careless action can cause severe injury within a fraction of a second.*

## **POWER TOOL USE AND CARE**

- a. **Do not force the power tool. Use the correct power tool for your application.** *The correct power tool will do the job better and safer at the rate for which it was designed.*
- b. **Do not use the power tool if the switch does not turn it on and off.** *Any power tool that cannot be controlled with the switch is dangerous and must be repaired.*
- c. **Disconnect the plug from the power source and/or remove the battery pack, if detachable, from the power tool before making any adjustments, changing accessories, or storing power tools.** *Such preventive safety measures reduce the risk of starting the power tool accidentally.*
- d. **Store idle power tools out of the reach of children and do not allow persons unfamiliar with the power tool or these instructions to operate the power tool.** *Power tools are dangerous in the hands of untrained users.*
- e. **Maintain power tools and accessories. Check for misalignment or binding of moving parts, breakage of parts and any other condition that may affect the power tools operation. If damaged, have the power tool repaired before use.** *Many accidents are caused by poorly maintained power tools.*



- f. **Keep cutting tools sharp and clean.** *Properly maintained cutting tools with sharp cutting edges are less likely to bind and are easier to control*
- g. **Use the power tool, accessories and tool bits etc. in accordance with these instructions, taking into account the working conditions and the work to be performed.** *Use of the power tool for operations different from those intended could result in a hazardous situation.*
- h. **Keep handles and grasping surfaces dry, clean and free from oil and grease.** *Slippery handles and grasping surfaces do not allow for safe handling and control of the tool in unexpected situations.*

## **BATTERY TOOL USE AND CARE**

- a. **Recharge only with the charger specified by the manufacturer.** *A charger that is suitable for one type of battery pack may create a risk of fire when used with another battery pack.*
- b. **Use power tools only with specifically designated battery packs.** *Use of any other battery packs may create a risk of injury and fire.*
- c. **When battery pack is not in use, keep it away from other metal objects, like paper clips, coins, keys, nails, screws or other small metal objects, that can make a connection from one terminal to another.** *Shorting the battery terminals together may cause burns or a fire.*
- d. **Under abusive conditions, liquid may be ejected from the battery; avoid contact. If contact accidentally occurs, flush with water. If liquid contacts eyes, additionally seek medical help.** *Liquid ejected from the battery may cause irritation or burns.*
- e. **Do not use battery pack or tool that is damaged or modified.** *Damaged or modified batteries may exhibit unpredictable behaviour resulting in fire, explosion or risk of injury.*

- f. **Do not expose a battery pack or tool to fire or excessive temperature.** *Exposure to fire or temperature above 130 °C may cause explosion.*
- g. **Follow all charging instructions and do not charge the battery pack or tool outside the temperature range specified in the instructions.** *Charging improperly or at temperatures outside the specified range may damage the battery and increase the risk of fire.*

## SERVICE

- a. **Have your power tool serviced by a qualified repair person using only identical replacement parts.** *This will ensure that the safety of the power tool is maintained.*
- b. **Never service damaged battery packs.** *Service of battery packs should only be performed by the manufacturer or authorized service providers.*

## ADDITIONAL SAFETY WARNINGS FOR YOUR CORDLESS IMPACT DRIVER

- a. **Hold power tool by insulated gripping surfaces, when performing an operation where the fastener may contact hidden wiring.** *Fasteners contacting a “live” wire may make exposed metal parts of the power tool “live” and could give the operator an electric shock.*

## ADDITIONAL SAFETY WARNINGS FOR BATTERY

- a. *Do not connect the positive terminal and negative terminal of the battery to each other with any metal object (such as wire).*
- b. *Do not carry or store battery together with necklaces, hairpins or other metal objects.*
- c. *Do not pierce the battery with nails, strike the battery with a hammer, step on the battery or otherwise subject it to strong impacts or shocks.*
- d. *Do not solder directly onto the battery.*

- e. *Do not expose battery to water or salt water, or allow the battery to get wet.*
- f. *Do not disassemble or modify the battery.*
- g. *Do not place the battery in or near fire, on stoves or other high temperature locations. Do not place the battery in direct sunlight, or use or store the battery inside cars in hot weather.*
- h. *Do not place the battery in microwave ovens, high-pressure containers or on induction cookware.*
- i. *If you intend to store a battery for a period without use then store battery at room temperature (19°C to 25°C), charged to about 30 – 50% of capacity. When storing for very long periods boost charge the battery once per year to prevent over discharge.*

## **RESIDUAL RISKS**

**Even if you are operating this product in accordance with all the safety requirements, potential risks of injury and damage remain. The following dangers can arise in connection with the structure and design of this product:**

1. *Injuries and damage to property due to broken attachments or the sudden impact of hidden objects during use.*
2. *Danger of injury and property damage caused by flying objects or poor power tool accessories.*



## PRODUCT DESCRIPTION

1. Tool holder
2. Locking sleeve
3. Air vents
4. Forward/reverse rotation and lock control
5. Handle
6. Belt clip fixing hole
7. Battery pack
8. Power bar button
9. Battery pack release button
10. LED light
11. On/off switch with variable speed control
12. Belt clip

## 01 TECHNICAL SPECIFICATIONS

### Driver

Rated voltage:	18V d.c.
Rated no load speed:	0-2500/min
Max. torque:	120 N.m
Tool holder size:	1/4" ( 6.35mm ) hex
Weight(without battery):	0.9 kg

### Battery

Battery pack model:	EBAT18-Li-2
Battery voltage:	18V d.c.
Battery capacity	2Ah
Battery cell:	5pcs
Weight:	0.4kg

Ambient temperature range for tool and battery use: -10°C to 40°C

### For use with battery pack and charger as below:

Battery pack model:	EBAT18-Li-2 / EBAT18-Li-4 / EBAT18-Li-5 EHPB18-Li-4 / EHPB18-Li-8
Charger model:	EC18-Li / EFC18-Li / EMC18-Li

## NOISE DATA

A weighted sound pressure:  $L_{pA}=93.5\text{dB(A)}$

A weighted sound power:  $L_{wA}=104.5\text{dB(A)}$

Uncertainty:  $K_{pA}$  &  $K_{wA}=3.0\text{dB(A)}$

The noise for the operator may exceed 80 dB(A) and ear protection measures are necessary.

## VIBRATION DATA

Impact tightening of fasteners of the maximum capacity of the tool  $a_n: 11.7\text{m/s}^2$

Uncertainty  $K=1.5\text{m/s}^2$

The declared vibration total values and the declared noise emission values have been measured in accordance with a standard test method (EN62841-1/EN62841-2-2) and may be used for comparing one tool with another; they may also be used in a preliminary assessment of exposure.

**WARNING!** The vibration and noise emissions during actual use of the power tool can differ from the declared values depending on the ways in which the tool is used especially what kind of workpiece is processed; and need to identify safety measures to protect the operator that are based on an estimation of exposure in the actual conditions of use (taking account of all parts of the operating cycle such as the times when the tool is switched off and when it is running idle in addition to the trigger time).

## RATING LABEL EXPLANATION

**EBID18Li = MODEL NUMBER E = ERBAUER**

**B = Brushed motor**

**ID = IMPACT DRIVER**

**18 = 18 V d.c.**

**Li = LITHIUM ION**



## ASSEMBLY

### 01 SYMBOLS



Read the instruction manual



Wear eye protection



Wear hearing protection.



Wear a dust mask.



Do not dispose of battery packs in rivers or immerse in water.



Do not dispose of battery packs in fire. They will explode and cause injury.



Do not expose battery packs to heat in excess of 40°C



Keep Cool Battery Technology

yyWxx

Manufacturing date code: Year of manufacturing (20yy) and week of manufacturing (Wxx)

## 02 UNPACKING

Unpack all parts and lay them on a flat, stable surface.

- Remove all packing materials and shipping devices, if applicable.
- Make sure the delivery contents are complete and free of any damage. If you find that parts are missing or show damage do not use the product but contact your dealer. Using an incomplete or damaged product represents a hazard to people and property.
- Ensure that you have all the accessories and tools needed for assembly and operation. This also includes suitable personal protective equipment.



**WARNING!** The product and the packaging are not children's toys!

Children must not play with plastic bags, sheets and small parts! There is a danger of choking and suffocation!

## 03 ASSEMBLING THE MACHINE

### CHARGING YOUR BATTERY PACK

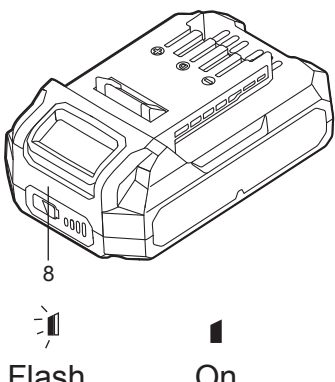





The battery has been shipped in a low charge condition. Charge it fully before first use. Refer to the charger instruction manual for the details.

### TO REMOVE OR INSTALL THE BATTERY PACK (A1, A2)

Depress the battery pack release button to release and slide the battery pack out from your tool. After recharge, slide it back into your tool. A simple push and slight pressure will be sufficient.

## BATTERY PACK POWER BAR

The Li-Ion battery pack (7) is equipped with a POWER BAR which is used to give an indication of the battery pack's remaining charge. Press the POWER BAR button (8) to check battery charge as below. The LED will stay lit for approximately 5 seconds.

	76-100% Charge	
	51-75% Charge	
	26-50% Charge	
	5-25% Charge	
	under 5% Charge	

## HOW TO USE THE BELT CLIP (B1, B2)

Screw the Belt clip (12) on the tool with the screw. The Belt clip can be hooked on your belt or pocket, etc.

## INSERTING OR REMOVING SOCKET OR SCREWDRIVER BIT (C)

Pull the locking sleeve (2) forward. Fully insert the desired bit into the tool holder and release the locking sleeve. Pull bit forward to ensure correct fitting. To remove, pull the locking sleeve(2) forward and remove the bit.



**WARNING!** Always use sockets or driver bits specially designed for impact driver!

Sockets or driver bits become hot during use! Handle them carefully! Wear protective gloves to avoid injuries like burns!





## USE

### 01 INTENDED USE

This tool is intended for the fastening and loosening of bolts, nuts and various threaded fasteners. This tool is not intended for use as a drill.

### 02 OPERATION

Where possible, secure work pieces to prevent them from moving during operation.

#### ON / OFF SWITCH (D)

Depress the on/off switch (11) to start and release it to stop your driver. The on/ off switch is fitted with a brake function which stops the spindle immediately when you quickly release the switch. It is also a variable speed switch that delivers higher speed and torque with increased trigger pressure.



**WARNING!** Do not operate for long periods at low speed because excess heat will be produced internally.

#### SWITCH LOCK (E1)

The switch trigger can be locked in the OFF position. This helps to reduce the possibility of accidental starting when not in use. To lock the switch trigger, place the rotation control (4) in the centre position.

#### FORWARD AND REVERSE ROTATION CONTROL (E2-E3)



**WARNING!** Only change the rotational direction when the product is switched off and has come to a complete stop! Shifting during rotation of the spindle can cause damage to the tool.

Move the forward / reverse rotation control (4) to the left in order to use the product in a clockwise rotational mode.

Move the forward / reverse rotation control (4) to the right in order to use the product in anticlockwise rotational mode.

## AUTOMATIC LED WORK LIGHT (F)

The LED work light (10) will illuminate when the trigger switch is depressed slightly, and will automatically turn off a short while after the trigger switch is released. This provides additional light on the surface of the workpiece for operation in lower light situations.



**WARNING!** Do not look directly into LED light.

## OVERLOAD, TEMPERATURE AND CHARGING PROBLEM

Problem	Tool/ Battery Status	Possible cause	Solution
Overload protection	Product suddenly Stops; The LED work light (if fitted) is flashing	Extremely high torque, binding and stalling situations, overloading of the tool	Relieve the load immediately, reset the tool by switching off and back on again.
Temperature extremely high	The first and the third LED light of the POWER BAR will be flashing alternately	Battery temperature exceeds 77°C during operation	Cool down the battery to below 77°C for operation and below 57°C for charging.
Low charge	Power for the tool will drop quickly; The first LED on the POWER BAR begins to flash	The battery pack is under 5% charge	Remove the battery pack from the tool and charge it
Other problems	Short charges	Not fully charged	Make sure that the battery is fully charged every time by allowing the charger to complete its full charging cycle
		Poor storage condition	Always remove battery from the tool and charger when not in use and store in a dry secure place. Avoid charging or storing your battery in temperatures below 5°C and above 40°C. Cool down a hot battery pack from a tool that has just been operated for approximately 30 minutes before storage



+



## CARE & MAINTENANCE

### MAINTENANCE

Your tool requires no additional lubrication or maintenance. There are no user serviceable parts in your power tool. Never use water or chemical cleaners to clean your power tool. Wipe clean with a dry cloth. Always store your power tool in a dry place. Keep the motor ventilation slots clean. Keep all working controls free of dust.

### RECYCLING AND DISPOSAL



Waste electrical products should not be disposed of with household waste. Please recycle where facilities exist. Check with your Local Authority or retailer for recycling advice.

For further information visit [www.recycle-more.co.uk](http://www.recycle-more.co.uk)

### DISPOSAL OF AN EXHAUSTED BATTERY PACK



To preserve natural resources, please recycle or dispose of the battery pack properly. This battery pack contains Li-Ion batteries. Consult your local waste authority for information regarding available recycling and/or disposal options. Discharge your battery pack by operating your tool, then remove the battery pack from the tool housing and cover the battery pack connections with heavy-duty adhesive tape to prevent short circuit and energy discharge. Do not attempt to open or remove any of the components.

### REPAIR

This product does not contain any parts that can be repaired by the consumer. Contact an authorised service centre or a similarly qualified person to have it checked and repaired.

### STORAGE

- Switch the product off and remove the battery pack.
- Clean the product as described above.
- Store the product and its accessories in a dark, dry, frost-free, well-ventilated place.
- Always store the product in a place that is inaccessible to children.
- We recommend using the original package for storage or covering the product with a suitable cloth or enclosure to protect it against dust.

### TRANSPORTATION

- Switch the product off and remove the battery pack.
- Attach transportation guards, if applicable.
- Always carry the product by its handle.
- Protect the product from any heavy impact or strong vibrations which may occur during transportation in vehicles.
- Secure the product to prevent it from slipping or falling over.



## GUARANTEE

We take special care to select high quality materials and use manufacturing techniques that allow us to create products incorporating design and durability. This product (**Erbauer** Cordless brushed impact driver) has a manufacturer's guarantee of 3 years against manufacturing defects, from the date of purchase (if bought in store) or date of delivery (if bought online), at no additional cost.

To make a claim under this guarantee, you must present your proof of purchase (such as a sales receipt, purchase invoice or other evidence admissible under applicable law), please keep your proof of purchase in a safe place. For this guarantee to apply, the product you purchased must be new, it will not apply to second hand or display products. Unless stated otherwise by applicable law, any replacement product issued under this guarantee will only be guaranteed until expiry of the original guarantee period.

This guarantee covers product failures and malfunctions provided the product was used for the purpose for which it is intended and subject to installation, cleaning, care and maintenance in accordance with the information contained in these terms and conditions, in the user manual and standard practice, provided that standard practice does not conflict with the user manual.

This guarantee does not cover defects and damage caused by normal wear and tear or damage that could be the result of improper use, faulty installation or assembly, neglect, accident, misuse, or modification of the product. Unless stated otherwise by applicable law, this guarantee will not cover, in any case, ancillary costs (shipping, movement, costs of uninstalling and reinstalling, labour etc), or direct and indirect damage.

This guarantee does not cover defects and damage caused by or resulting from:

Normal wear and tear

Overload, misuse or neglect

Repairs attempted by anyone other than an authorised agent

Cosmetic damage

Damage caused by foreign objects, substances or accidents

Accidental damage or modification

Failure to follow manufacturer's guidelines

Loss of use of the goods

Batteries and battery chargers are not covered under the Erbauer 3 Year Warranty and will have a guarantee period of 2 years from the date of purchase.

If the product is defective, we will, within a reasonable time, repair or replace it.

Rights under this guarantee are enforceable in the country in which you purchased this product. Guarantee related queries should be addressed to the store you purchased this product from.

The guarantee is in addition to and does not affect your statutory rights.



# DECLARATION OF CONFORMITY

# UK CA

## (UK) DECLARATION OF CONFORMITY

**Product**

- Cordless brushed impact driver
- EBID18Li
- Serial number 00001-99999

**Name and address of the manufacturer or his authorised representative:**

Kingfisher International Products Limited  
3 Sheldon Square  
London W2 6PX  
United Kingdom

This declaration of conformity is issued under the sole responsibility of the manufacturer.

**Object of the declaration**

Product	Model	EAN
Cordless brushed impact driver	EBID18Li	5059340264295 (UK)

The object of the declaration described above is in conformity with the relevant legislation:

Supply of Machinery (Safety) Regulations 2008 as amended  
Electromagnetic Compatibility Regulations 2016 as amended  
The Restriction of the use of Certain Hazardous Substances in Electrical and Electronic Equipment Regulations 2012 as amended

References to the relevant designated standards used or references to the other technical specifications in relation to which conformity is declared:

BS EN 62841-1:2015	EN 55014-1:2017+A11:2020
BS EN 62841-2-2:2014	EN 55014-2:2015
EN 62841-1:2015	BS EN 55014-1:2017+A11:2020
EN 62841-2-2:2014	BS EN 55014-2:2015

**Authorised signatory and technical file holder:**

Kingfisher International Products Limited  
3 Sheldon Square  
London W2 6PX  
United Kingdom

David Awe  
Group Quality Director

On:30/09/2021



(EN) EU DECLARATION OF CONFORMITY  
(FR) DÉCLARATION UE DE CONFORMITÉ  
(PL) DEKLARACJA ZGODNOŚCI UE  
(RO) DECLARAȚIA DE CONFORMITATE UE  
(ES) DECLARACIÓN UE DE CONFORMIDAD  
(PT) DECLARAÇÃO DE CONFORMIDADE UE

Product/ Produit/ Produkt/Produsul/Producto/Produto

- Cordless brushed impact driver/ Visseuse a percussion a balais sans fil/Bezprzewodowa szczotkowa wiertarka udarowa/ Șurubelniță electrică fără fir/ Destornillador inalámbrico de impacto con escobillas/ Aparafusadora de impacto com escovassem fios
- EBID18Li
- Serial number 00001-99999

Name and address of the manufacturer or his authorised representative:

Nom et adresse du fabricant ou de son mandataire:

Nazwa i adres producenta lub jego upoważnionego przedstawiciela:

Denumirea și adresa producătorului sau a reprezentantului său autorizat:

Nombre y dirección del fabricante o de su representante autorizado:

Nome e endereço do fabricante ou do respetivo mandatário:

Kingfisher International Products B.V.,  
Rapenburgerstraat 175E,  
1011 VM Amsterdam,  
The Netherlands

This declaration of conformity is issued under the sole responsibility of the manufacturer.

La présente déclaration de conformité est établie sous la seule responsabilité du fabricant.

Niniejsza deklaracja zgodności wydana zostaje na wyłączną odpowiedzialność producenta.

Prezenta declarație de conformitate este emisă pe răspunderea exclusivă a producătorului.

La presente declaración de conformidad se expide bajo la exclusiva responsabilidad del fabricante.

A presente declaração de conformidade é emitida sob a exclusiva responsabilidade do fabricante.

Object of the declaration/ Objet de la déclaration/ Przedmiot deklaracji/ Obiectul declarației/ Objeto de la declaración/ Objeto da declaração

Product/ Produit/ Produkt/Produsul/Producto/Produto	Model/ Modèle/ Model/ Modelul/ Modelo/ Modelo	EAN
Cordless brushed impact driver/ Visseuse a percussion a balais sans fil/ Bezprzewodowa szczotkowa wiertarka udarowa/ Șurubelniță electrică fără fir/ Destornillador inalámbrico de impacto con escobillas/ Aparafusadora de impacto com escovassem fios	EBID18Li	5059340264295 (UK)

<p>The object of the declaration described above is in conformity with the relevant Union harmonisation legislation:</p> <p>L'objet de la déclaration décrit ci-dessus est conforme à la législation d'harmonisation de l'Union applicable:</p> <p>Wymieniony powyżej przedmiot niniejszej deklaracji jest zgodny z odnośnymi wymaganiami unijnego prawodawstwa harmonizacyjnego:</p> <p>Obiectul declarației descris mai sus este în conformitate cu legislația relevantă de armonizare a Uniunii:</p> <p>El objeto de la declaración descrita anteriormente es conforme con la legislación de armonización pertinente de la Unión:</p> <p>O objeto da declaração acima descrito está em conformidade com a legislação de harmonização da União aplicável:</p>	
2006/42/EC as amended	Machinery Directive
2014/30/EU as amended	Directive Electromagnetic compatibility
2011/65/EU, as amended	Directive Restriction of the use of certain hazardous substances in electrical and electronic equipment
Directive 2006/42/CE relative aux machines	
2014/30 / UE telle que modifiée Directive Compatibilit�e �lectromagn�tique	
Directive 2011/65/UE relative � la limitation de l'utilisation de certaines substances dangereuses dans les �quipements �lectriques et �lectroniques	
2006/42/WE w zmienionej dyrektywie maszynowej	
2014/30 / UE ze zmianami Dyrektywa Kompatybilno�c �lektromagnetyczna	
2011/65 / UE, ze zmianami Dyrektywa Ograniczenie stosowania niekt�rych niebezpiecznych substancji w sprz�cie elektrycznym i elektronicznym	
2006/42/CE, astfel a fost modificat� Directiva privind echipamentele	
2014/30/UE, astfel a fost modificat� Directiva privind compatibilitatea electromagnetice	
2011/65/UE, astfel a fost modificat� Directiva privind limitarea utilizării anumitor substan�e periculoase �n echipamentele electrice �i electronice	
Directiva sobre maquinaria modificada 2006/42/CE	
2014/30/UE modificada Directiva Compatibilitad electromagn�tica	
2011/65/UE, modificada Directiva Restricci�n del uso de determinadas sustancias peligrosas en equipos �lectricos y electr�nicos	
2006/42/CE como diretiva de m�quinas alteradas	
2014/30/UE como altera�o da compatibilitade eletromagn�tic	
2011/65/UE, como restri�o diretiva alterada da utiliza�o de certas subst�ncias perigosas em equipamentos el�tricos e eletr�nicos	
References to the relevant harmonised standards used or references to the other technical specifications in relation to which conformity is declared:	
R�f�rences des normes harmonis�es pertinentes appliqu�es, y compris la date de celles-ci, ou des autres caract�ristiques techniques, y compris la date de celles-ci, par rapport auxquelles la conformit� est d�clar�e:	
Odwołania do odnośnych norm zharmonizowanych, kt�re zastosowano, wraz z dat� normy, lub do innych specyfikacji technicznych, wraz z dat� specyfikacji, w odniesieniu do kt�rych deklarowana jest zgodno�c:	
Trimiteri la standardele armonizate relevante folosite, inclusiv data standardului, sau trimiteri la celelalte specificații tehnice, inclusiv data specificațiilor, �n legătur� cu care se declar� conformitatea:	
Referencias a las normas armonizadas pertinentes utilizadas, incluidas las fechas de las normas, o referencias a las otras especificaciones t�cnicas, incluidas las fechas de las especificaciones, respecto a las cuales se declara la conformidad:	
Refer�ncias �s normas harmonizadas aplic�veis utilizadas, incluindo a data da norma, ou �s outras especifica�es t�cnicas, incluindo a data da especifica�o, em rela�o �s quais � declarada a conformidade:	



EN 62841-1:2015

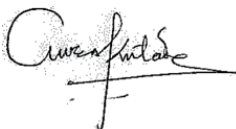
EN 62841-2-2:2014

EN 55014-1:2017+A11:2020

EN 55014-2:2015

Authorised signatory and technical file holder/Signataire et responsable de la documentation technique autorisé/ Podmiot uprawniony do wystawienia i adres prezechowywania dokumentacji technicznej/Semnatar autorizat și deținător al dosarului tehnic/Firmante autorizado y titular del expediente técnico/ signatário autorizado e detentor da ficha técnica:

Kingfisher International Products B.V.,  
Rapenburgerstraat 175E,  
1011 VM Amsterdam,  
The Netherlands

A handwritten signature in black ink, appearing to read 'David Awe', with a horizontal line underneath.

David Awe  
Group Quality Director

30/09/2021

**Manufacturer • Fabricant • Producent • Producător • Fabricante:**

**UK manufacturer:**

Kingfisher International Products Limited  
3 Sheldon Square London W2 6PX  
United Kingdom  
[www.kingfisher.com/products](http://www.kingfisher.com/products)

**EU manufacturer:**

Kingfisher International Products B.V.  
Rapenburgerstraat 175E  
1011 VM Amsterdam  
The Netherlands

[www.diy.com](http://www.diy.com) | [www.screwfix.com](http://www.screwfix.com) | [www.screwfix.ie](http://www.screwfix.ie)

To view instruction manuals online,  
visit [www.kingfisher.com/products](http://www.kingfisher.com/products)

Customer Helpline:

UK 03301248111 [erbauer@powertoolservicing.co.uk](mailto:erbauer@powertoolservicing.co.uk)

Eire 0035312479977 [erbauer@powertoolservicing.co.uk](mailto:erbauer@powertoolservicing.co.uk)