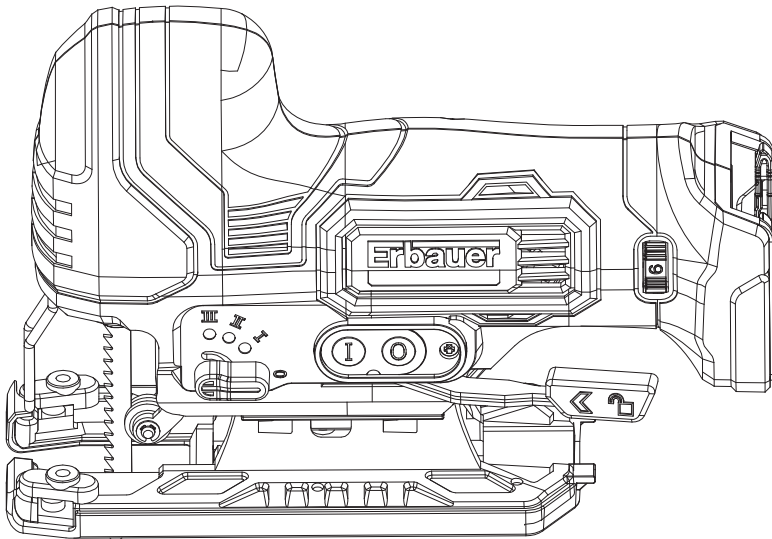




**Erbauer**



Original Instructions - MNL\_EJS12-Li\_GB\_V1\_211007

EAN: 5059340010717

**EJS12-Li**

**ORIGINAL INSTRUCTIONS**

EN



V60421 / BX220IM



EN



Safety instructions

8



Product description

21



Assembly

23



Use

28



+



Care & maintenance

32



Guarantee

35

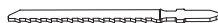
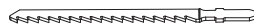
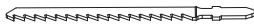
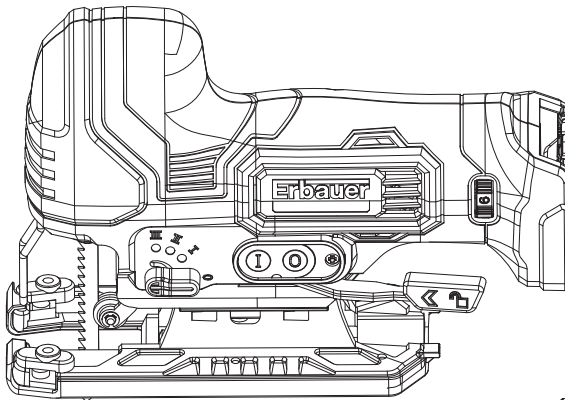


Declaration of conformity

37



**WARNING!** Please read all safety warnings carefully and be sure that they are fully understood before handling the tool.

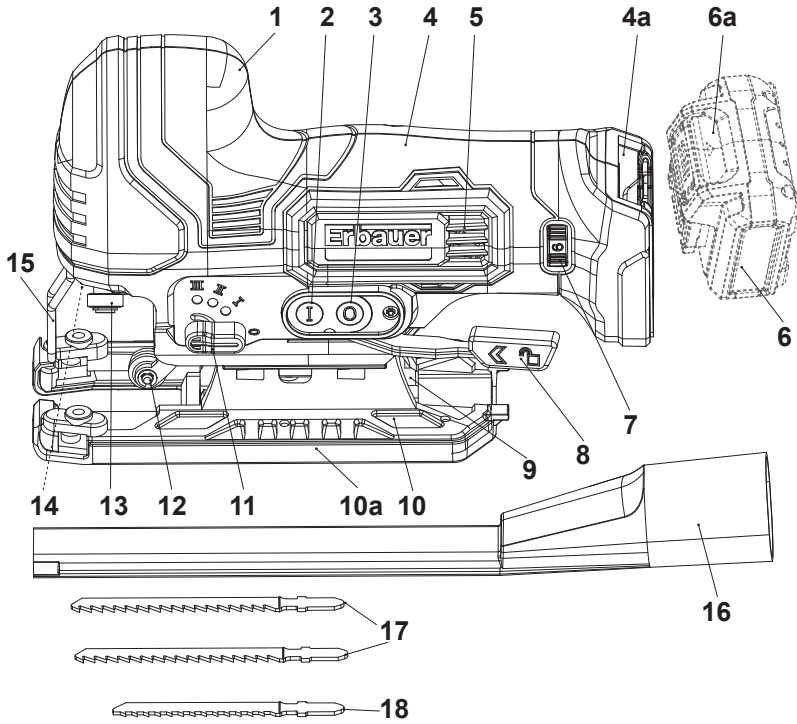




EN

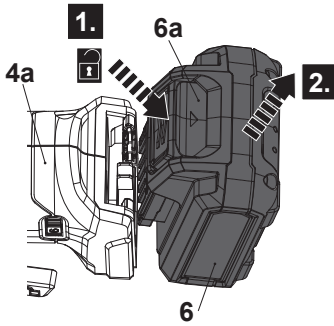


## Product description

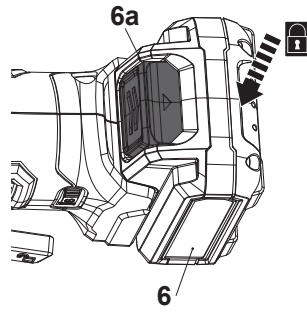




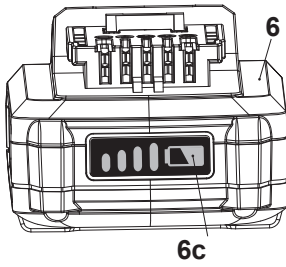
**A**



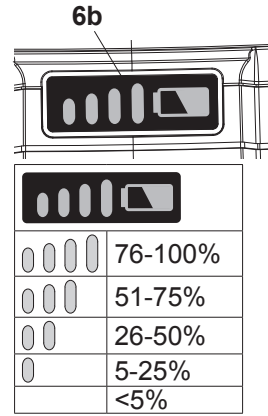
**B**



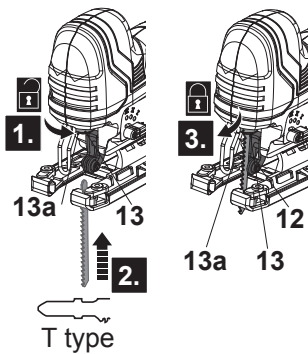
**C**



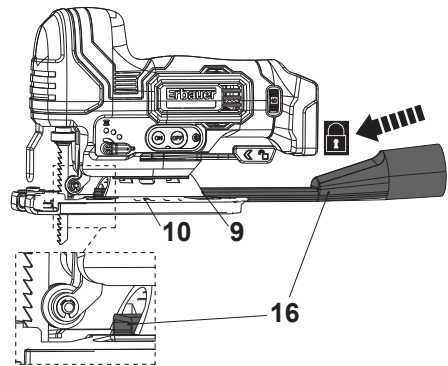
**D**



**E**



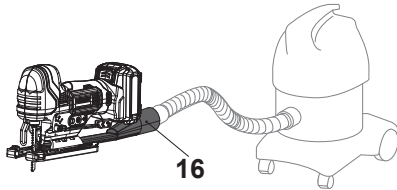
**F**



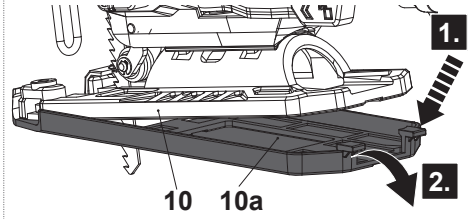


EN

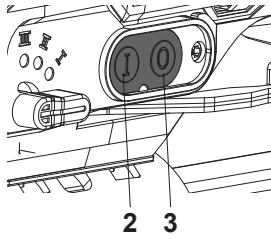
G



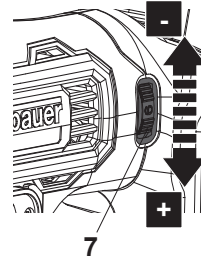
H



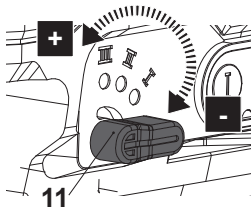
I



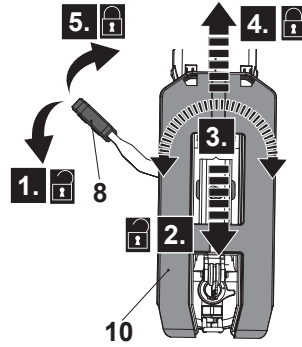
J



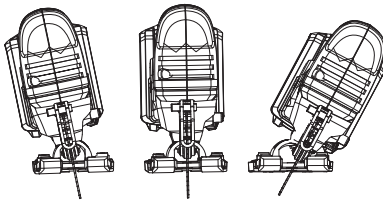
K



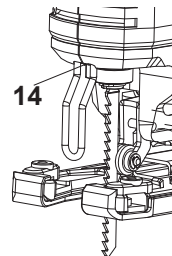
L



M



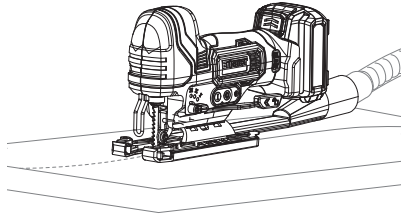
N



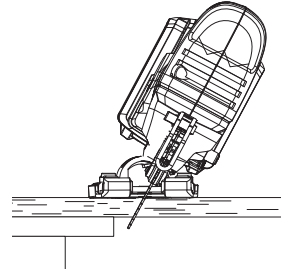


EN

O



P





EN



Safety instructions

## GENERAL POWER TOOL SAFETY WARNINGS



**WARNING!** Read all safety warnings, instructions, illustrations and specifications provided with this power tool. Failure to follow all instructions listed below may result in electric shock, fire and/or serious injury.

**Save all warnings and instructions for future reference.** The term “power tool” in the warnings refers to your mains-operated (corded) power tool or battery-operated (cordless) power tool.

### WORK AREA SAFETY

- a) **Keep work area clean and well lit.** *Cluttered or dark areas invite accidents.*
- b) **Do not operate power tools in explosive atmospheres, such as in the presence of flammable liquids, gases or dust.** *Power tools create sparks which may ignite the dust or fumes.*
- c) **Keep children and bystanders away while operating a power tool.** *Distractions can cause you to lose control.*

### ELECTRICAL SAFETY

- a) **Power tool plugs must match the outlet. Never modify the plug in any way. Do not use any adapter plugs with earthed (grounded) power tools.** *Unmodified plugs and matching outlets will reduce risk of electric shock.*
- b) **Avoid body contact with earthed or grounded surfaces, such as pipes, radiators, ranges and refrigerators.** *There is an increased risk of electric shock if your body is earthed or grounded.*



- c) **Do not expose power tools to rain or wet conditions.** *Water entering a power tool will increase the risk of electric shock.*
- d) **Do not abuse the cord. Never use the cord for carrying, pulling or unplugging the power tool. Keep cord away from heat, oil, sharp edges or moving parts. Damaged or entangled cords increase the risk of electric shock.**
- e) **When operating a power tool outdoors, use an extension cord suitable for outdoor use.** *Use of a cord suitable for outdoor use reduces the risk of electric shock.*
- f) **If operating a power tool in a damp location is unavoidable, use a residual current device (RCD) protected supply.** *Use of an RCD reduces the risk of electric shock.*

## PERSONAL SAFETY

- a) **Stay alert, watch what you are doing and use common sense when operating a power tool. Do not use a power tool while you are tired or under the influence of drugs, alcohol or medication.** *A moment of inattention while operating power tools may result in serious personal injury.*
- b) **Use personal protective equipment. Always wear eye protection.** *Protective equipment such as dust mask, non-skid safety shoes, hard hat, or hearing protection used for appropriate conditions will reduce personal injuries.*
- c) **Prevent unintentional starting. Ensure the switch is in the off-position before connecting to power source and/or battery pack, picking up or carrying the tool.** *Carrying power tools with your finger on the switch or energising power tools that have the switch on invites accidents.*
- d) **Remove any adjusting key or wrench before turning the power tool on.** *A wrench or a key left attached to a rotating part of the power tool may result in personal injury.*

- e) **Do not overreach. Keep proper footing and balance at all times.** *This enables better control of the power tool in unexpected situations.*
- f) **Dress properly. Do not wear loose clothing or jewellery. Keep your hair, clothing and gloves away from moving parts.** *Loose clothes, jewellery or long hair can be caught in moving parts.*
- g) **If devices are provided for the connection of dust extraction and collection facilities, ensure these are connected and properly used.** *Use of dust collection can reduce dust-related hazards.*
- h) **Do not let familiarity gained from frequent use of tools allow you to become complacent and ignore tool safety principles.** *A careless action can cause severe injury within a fraction of a second.*

## **POWER TOOL USE AND CARE**

- a) **Do not force the power tool. Use the correct power tool for your application.** *The correct power tool will do the job better and safer at the rate for which it was designed.*
- b) **Do not use the power tool if the switch does not turn it on and off.** *Any power tool that cannot be controlled with the switch is dangerous and must be repaired.*
- c) **Disconnect the plug from the power source and/or remove the battery pack, if detachable, from the power tool before making any adjustments, changing accessories, or storing power tools.** *Such preventive safety measures reduce the risk of starting the power tool accidentally.*
- d) **Store idle power tools out of the reach of children and do not allow persons unfamiliar with the power tool or these instructions to operate the power tool.** *Power tools are dangerous in the hands of untrained users.*

- e) **Maintain power tools and accessories.** Check for misalignment or binding of moving parts, breakage of parts and any other condition that may affect the power tool's operation. If damaged, have the power tool repaired before use. *Many accidents are caused by poorly maintained power tools.*
- f) **Keep cutting tools sharp and clean.** *Properly maintained cutting tools with sharp cutting edges are less likely to bind and are easier to control.*
- g) **Use the power tool, accessories and tool bits etc. in accordance with these instructions, taking into account the working conditions and the work to be performed.** *Use of the power tool for operations different from those intended could result in a hazardous situation.*
- h) **Keep handles and grasping surfaces dry, clean and free from oil and grease.** *Slippery handles and grasping surfaces do not allow for safe handling and control of the tool in unexpected situations.*

## **BATTERY TOOL USE AND CARE**

- a) **Recharge only with the charger specified by the manufacturer.** *A charger that is suitable for one type of battery pack may create a risk of fire when used with another battery pack.*
- b) **Use power tools only with specifically designated battery packs.** *Use of any other battery packs may create a risk of injury and fire.*
- c) **When battery pack is not in use, keep it away from other metal objects, like paper clips, coins, keys, nails, screws or other small metal objects that can make a connection from one terminal to another.** *Shorting the battery terminals together may cause burns or a fire.*
- d) **Under abusive conditions, liquid may be ejected from the battery; avoid contact. If contact accidentally occurs, flush with water. If liquid contacts eyes, additionally seek medical help.** *Liquid ejected from the battery may cause irritation or burns.*

- e) **Do not use battery pack or tool that is damaged or modified.** *Damaged or modified batteries may exhibit unpredictable behaviour resulting in fire, explosion or risk of injury.*
- f) **Do not expose a battery pack or tool to fire or excessive temperature.** *Exposure to fire or temperature above 130 °C may cause explosion.*
- g) **Follow all charging instructions and do not charge the battery pack or tool outside the temperature range specified in the instructions.** *Charging improperly or at temperatures outside the specified range may damage the battery and increase the risk of fire.*

## SERVICE

- a) **Have your power tools serviced by a qualified repair person using only identical replacement parts.** *This will ensure that safety of the power tool is maintained.*
- b) **Never service damaged battery packs.** *Service of battery packs should only be performed by the manufacturer or authorized service providers.*

## ADDITIONAL SAFETY WARNINGS FOR JIG SAW

- a) **Hold the power tool by insulated gripping surfaces,** when performing an operation where the cutting accessory may contact hidden wiring. *Cutting accessory contacting a "live" wire may make exposed metal parts of the power tool "live" and could give the operator an electric shock.*
- b) **Use clamps or another practical way to secure and support the workpiece to a stable platform.** *Holding the workpiece by hand or against your body leaves it unstable and may lead to loss of control.*
- c) **Turn the product off immediately, if the cutting blade gets jammed.**
- d) **Ensure that the workpiece is free of foreign objects such as screws or nails.**

- e) **The power tool shall not be wet or applied in wet environment.** *Keep the handles dry to ensure safe control.*
- f) **Grip the product securely with two hands so you have full control at all times.**
- g) **Ensure that the air vents are always unobstructed and clear.** *Clean them if necessary with a soft brush. Blocked air vents may lead to overheating and damage the product.*
- h) **Switch the product off immediately if you are disturbed while working by other people entering the working area.** *Always let the product come to complete stop before putting it down.*
- i) **Do not overwork yourself.** *Take regular breaks to ensure you can concentrate on the work and have full control over the product.*
- j) **Keep hands away from the sawing area. Do not reach under the workpiece.** *Contact with the saw blade can lead to injuries.*
- k) **Only bring the power tool into contact with the workpiece when switched on.** *Otherwise there is danger of kickback if the cutting tool jams in the workpiece.*
- l) **Ensure that the footplate always rests securely while sawing.** *A jammed saw blade can break or lead to kickback.*
- m) **When the cut is completed, switch off the power tool and then pull the saw blade out of the cut only after it has come to a standstill.** *In this manner you can avoid kickback and can place down the power tool securely.*
- n) **Use only undamaged saw blades that are in perfect condition.** *Bent or dull saw blades can break, negatively influence the cut, or lead to kickback.*
- o) **Do not brake the saw blade to a stop by applying side pressure after switching off.** *The saw blade can be damaged, break or cause kickback.*

- p) **Use suitable detectors to determine if there are hidden supply lines or contact the local utility company for assistance.** *Contact with electric cables can cause fire and electric shock. Damaging gas lines can lead to explosion. Breaking water pipes causes property damage.*

## **ADDITIONAL SAFETY WARNINGS FOR BATTERY PACK**

- a) Observe the plus (+) and minus (-) marks on the battery and ensure correct use.
- b) Do not connect the positive terminal and negative terminal of the battery to each other with any metal object (such as wire).
- c) Do not carry or store battery together with necklaces, hairpins or other metal objects.
- d) Do not pierce the battery with nails, strike the battery with a hammer, step on the battery or otherwise subject it to strong impacts or shocks.
- e) Do not solder directly onto the battery.
- f) Do not mix cells of different manufacture, capacity, size or type within a device.
- g) Do not expose battery to water or salt water, or allow the battery to get wet.
- h) Do not disassemble or modify the battery. There is a risk of short-circuiting.
- i) Do not place the battery in or near fire, on stoves or other high temperature locations.
- j) Do not place the battery in microwave ovens, high-pressure containers or on induction cookware.
- k) Do not place the battery in direct sunlight, or use or store the battery inside cars in hot weather.
- l) If you intend to store a battery for a period without use then store battery at room temperature (19 °C to 25 °C), charged to about 30 – 50% of capacity. When storing for very long periods boost charge the battery once per year to prevent over discharge.



- m) Wipe the battery pack terminals with a clean dry cloth if they become dirty.
- n) Battery pack needs to be charged before use. Always refer to the charger instruction and use the correct charging procedure.
- o) After extended periods of storage, it may be necessary to charge and discharge the battery pack several times to obtain maximum performance.
- p) Battery pack gives its best performance when it is operated at normal room temperature ( $20^{\circ}\text{C}\pm 5^{\circ}\text{C}$ ).
- q) Keep battery pack out of the reach of children.
- r) Retain the original product literature for future reference.
- s) Remove the battery from the product or charger when not in use.

**The following information applies to professional users only but is good practice for all users:**

## **ADDITIONAL SAFETY WARNING FOR CONSTRUCTION DUST**

The updated Control of Substances Hazardous to Health Regulations 1st October 2012 now also targets to reduce the risks associated with silica, wood and gypsum dusts.

Construction workers are one of the at-risk groups within this because of the dust that they breathe: silica dust is not just a nuisance; it is a real risk to your lungs!

Silica is a natural mineral present in large amounts in things like sand, sandstone and granite. It is also commonly found in many construction materials such as concrete and mortar. The silica is broken into very fine dust (also known as Respirable Crystalline Silica or RCS) during many common tasks such as cutting, drilling and grinding. Breathing in very fine particles of crystalline silica can lead to the development of:

- Lung cancer
- Silicosis

- Chronic Obstructive Pulmonary Disorder/Chronic obstructive pulmonary disease (COPD)

And breathing in fine particles of wood dust can lead to the development of Asthma. The risk of lung disease is linked to people who regularly breathe construction dust over a period of time, not on the odd occasion.

To protect the lung, the COSHH Regulations sets a limit on the amount of these dusts that you can breathe (called a Workplace Exposure Limit or WEL) when averaged over a normal working day. These limits are not a large amount of dust: when compared to a penny it is tiny – like a small pinch of salt:

This limit is the legal maximum; the most you can breathe after the right controls have been used.

## **HOW TO REDUCE THE AMOUNT OF DUST?**

- a) Reduce the amount of cutting by using the best sizes of building products.
- b) Use a less powerful tool e.g. a block cutter instead of angle grinder.
- c) Using a different method of work altogether – e.g. using a nail gun to direct fasten cable trays instead of drilling holes first.

Please always work with approved safety equipment, such as those dust masks that specially designed to filter out microscopic particles and use the dust extraction facility at all time.

For more information please see the HSE website: <http://www.hse.gov.uk/construction> or <http://www.hse.gov.uk/pubns/cis69.pdf>





**WARNING!** Some dust particles created by power sanding, sawing, grinding, drill and other construction jobs contain chemicals known to cause cancer, birth defects or other reproductive harm. Some examples of these chemicals are:

- Lead from lead-based paints.
- Crystalline silica from bricks and cement and other masonry products.
- Arsenic and chromium from chemically treated timber.
- Your risk from these exposures varies, depending upon how often you do this type of work. To reduce your exposure to these chemicals:
- Work in a well-ventilated area.
- Work with approved safety equipment, such as those dust masks that are specially designed to filter microscopic particles.

## VIBRATION

The European Physical Agents (Vibration) Directive has been brought in to help reduce hand arm vibration syndrome injuries to power tool users. The directive requires power tool manufacturers and suppliers to provide indicative vibration test results to enable users to make informed decisions as to the period of time a power tool can be used safely on a daily basis and the choice of tool.

**SEE TECHNICAL SPECIFICATIONS IN THE INSTRUCTION MANUAL FOR THE VIBRATION LEVELS OF YOUR TOOL.**

The declared vibration emission value should be used as a minimum level and should be used with the current guidance on vibration.

Calculating the actual period of use can be difficult and the HSE website has further information.



EN

The declared vibration total value has been measured in accordance with EN 62841-1 and EN 62841-2-11 and may be used for compare one tool with another.

The declared vibration total value may also be used in a preliminary assessment of exposure.



**WARNING!** The vibration emission during actual use of the power tool can differ from the declared total value depending on the ways in which the tool is used:

- How the materials are grinded, cut or drilled.
- If the tool is in good condition and well maintained.
- Use correct accessory for the tool and ensure it is sharp and in good condition.
- The tightness of the gripping handles.
- The tool is being used as intended by its design and these instructions.

While working with this power tool, hand/arm vibrations occur. Adopt the correct working practices in order to reduce the exposure to vibration. This tool may cause hand-arm vibration syndrome if its use is not adequately managed.



**WARNING!** Identify safety measures to protect the operator that are based on an estimation of exposure in the actual conditions of use (taking account of all parts of the operating cycle such as the times when the tool is switched off and when it is running idle in addition to the trigger time).

**Note:**

- The use of other tools will reduce the users' total working period on this tool.
- Helping to minimise your vibration exposure risk. ALWAYS use sharp chisels, drills and blades.
- Maintain this tool in accordance with these instructions and keep well lubricated (where appropriate).
- Avoid using tools in temperatures of 10 °C or less. Plan your work schedule to spread any high vibration tool use across a number of days.

## Health surveillance

All employees should be part of an employer's health surveillance scheme to help identify any vibration related diseases at an early stage, prevent disease progression and help employees stay in work.

## Vibration and noise reduction

**To reduce the impact of noise and vibration emission, limit the time of operation, use low-vibration and low-noise operating modes as well as wear personal protective equipment.**

Take the following points into account to minimise the vibration and noise exposure risks:

- a) Only use the product as intended by its design and these instructions.

- b) Ensure that the product is in good condition and well maintained.
- c) Use correct attachments for the product and ensure they are in good condition.
- d) Keep tight grip on the handles/grip surface.
- e) Maintain this product in accordance with these instructions and keep it well lubricated (where appropriate).
- f) Plan your work schedule to spread any high vibration tool use across a longer period of time.
- g) Prolonged use of the product exposes the user to vibrations that can cause a range of conditions collectively known as hand-arm vibration syndrome (HAVS) e.g. fingers going white; as well as specific diseases such as carpal tunnel syndrome. To reduce this risk when using the product, always wear protective gloves and keep your hands warm.

## Emergency

**Familiarise yourself with the use of this product by means of this instruction manual. Memorise the safety directions and follow them to the letter. This will help to prevent risks and hazards.**

- a) **Always be alert when using this product, so that you can recognise and handle risks early.** *Fast intervention can prevent serious injury and damage to property.*
- b) **Switch off and disconnect from the power supply if there are malfunctions.** *Have the product checked by a qualified professional and repaired, if necessary, before you operate it again.*

## Residual risks

**Even if you are operating this product in accordance with all the safety requirements, potential risks of injury and damage remain. The following dangers can arise in connection with the structure and design of this product:**



- a) Health defects resulting from vibration emission if the product is being used over long periods of time or not adequately managed and properly maintained.
- b) Injuries and damage to property due to broken attachments or the sudden impact of hidden objects during use.
- c) Danger of injury and property damage caused by flying objects or poor power tool accessories.



Product description

## Part index

The index below refers to Fig. 1 on page 4.

- |                                  |                                     |
|----------------------------------|-------------------------------------|
| 1. Motor head                    | 9. Dust extraction port             |
| 2. On button (I)                 | 10. Base plate                      |
| 3. Off button (O)                | a. Plastic shoe                     |
| 4. Grip handle                   | 11. Pendulum adjusting lever        |
| a. Battery pack holder           | 12. Guide roller                    |
| 5. Air vents                     | 13. Saw blade holder                |
| 6. Battery pack (not included)   | a. Locking sleeve*                  |
| a. Release button                | 14. LED work light                  |
| b. Battery capacity indicators*  | 15. Blade guard                     |
| c. Battery capacity button*      | 16. Dust extraction tube            |
| 7. Speed dial                    | 17. Saw blade for cutting wood (x2) |
| 8. Lever for bevel angle setting | 18. Saw blade for cutting steel     |



**NOTE:** Parts marked with \* are not shown in this overview. Please refer to the respective section in the instruction manual.

## Technical specifications

- > **Rated voltage** : 12 V d.c.
- > **Rated no load stroke rate  $n_0$**  : 800-3000 /min
- > **Stroke length** : 26 mm
- > **Max cutting length** :
- > **In wood** : 90 mm
- > **In aluminium** : 20 mm
- > **In metal (unalloyed)** : 10 mm
- > **Max. cutting angle (left / right)** : 45°
- > **Blade shank type** : T
- > **Weight (without battery pack)** : approx. 1.5 kg

### For use with battery pack and charger as below :

- > **Battery pack model** : EHPB12-Li-3      EHPB12-Li-6
- > **Charger model** : EBC12-Li      EBFC12-Li
- > **Ambient temperature range for tool and battery use** : 0 °C to 40 °C

### Sound values

- > **Sound pressure level  $L_{pA}$**  : 84 dB(A)
- > **Uncertainty  $K_{pA}$**  : 5 dB(A)
- > **Sound power level  $L_{WA}$**  : 95 dB(A)
- > **Uncertainty  $K_{WA}$**  : 5 dB(A)

### Hand arm vibration values

- > **Cutting boards with supplied blade** :  $a_{h,B} = 6.2 \text{ m/s}^2$
- > **Cutting sheet metal with supplied blade** :  $a_{h,M} = 8.7 \text{ m/s}^2$
- > **Uncertainty K** : 1.5  $\text{m/s}^2$

The sound intensity level for the operator may exceed 80 dB(A) and ear protection measures are necessary.

The declared vibration total values and the declared noise emission values have been measured in accordance with a standard test method and may be used for comparing one tool with another; they may also be used in a preliminary assessment of exposure.



**WARNING!** The vibration and noise emissions during actual use of the power tool can differ from the declared values depending on the ways in which the tool is used especially what kind of workpiece is processed; and need to identify safety measures to protect the operator that are based on an estimation of exposure in the actual conditions of use (taking account of all parts of the operating cycle such as the times when the tool is switched off and when it is running idle in addition to the trigger time).

## Rating label explanation

EJS12-Li = Model number

E = Erbauer

JS = Jig Saw

12 = 12 V d.c.










Li = LITHIUM ION



Assembly

### 01 Symbols

On the product, the rating label and within these instructions you will find among others the following symbols and abbreviations. Familiarise yourself with them to reduce hazards like personal injuries and damage to property.

mm	Millimetre	kg	Kilogram
mAh	Milliampere per hour	n0	No-load speed
°C	Degree Celsius	dB(A)	Decibel (A-rated)
m/s <sup>2</sup>	Metres per seconds squared	/min or min <sup>-1</sup>	Per minute
	Lock / to tighten or secure.		Unlock / to loosen.
 	Read the instruction manual.		Always wear eye protection.
	Always wear ear protection.		Wear a dust mask.
	Wear protective gloves.		Wear protective, slip-resistant footwear.

EN



Note / Remark.



Caution / Warning.

xxWyy

Manufacturing date code; year of manufacturing (20xx) and week of manufacturing (Wyy)



Switch the product off and remove battery pack before assembly, cleaning, adjustments, maintenance, storage and transportation.



Open flames in the work area, around the product and in the vicinity of flammable materials are prohibited!



Do not smoke in the work area, around the product and in the vicinity of flammable materials!



Cutting in wood.



Cutting in metal (unalloyed).



WEEE symbol. Waste electrical products should not be disposed of with household waste. Please recycle where facilities exist. Check with your Local Authority or local store for recycling advice.



Crossed out dust bin. Batteries and battery packs should not be disposed of with household waste. Please recycle where facilities exist. Check with your Local Authority or local store for recycling advice.



Do not dispose of battery packs in rivers or immerse in water.



Do not dispose of battery packs in fire. They will explode and cause injury.



Do not expose battery packs to heat in excess of 45 °C. Do not charge or store the battery pack in temperatures below 0 °C (32 °F) and above 45 °C (113°F).



The product complies with the applicable European directives and an evaluation method of conformity for these directives was done.

UK  
CA

UK Conformity Assessed.

## 02 Unpacking

1. Unpack all parts and lay them on a flat, stable surface.
2. Remove all packing materials and shipping devices, if applicable.
3. Make sure the delivery contents are complete and free of any damage. If you find that parts are missing or show damage, do not use the product but contact your dealer. Using an incomplete or damaged product represents a hazard to people and property.



4. Ensure all the accessories and tools needed for assembly and operation are at your disposal, including suitable personal protective equipment.



**WARNING!** The product and the packaging are not children's toys! Keep plastics bags, sheets and small parts away from children. There is a danger of choking and suffocation!



Do not insert the battery pack before the power tool is completely assembled!



**NOTE:** Take care of small parts that are removed during assembly or when making adjustments. Keep them secure to avoid loss.

### 03 Setup

## BATTERY PACK (NOT INCLUDED)

### Release / Attach

1. To remove the battery pack, press down the release button (6a) and pull out the battery pack (6) from the battery pack holder (4a) (Fig. A).
2. Align and slide the battery pack (6) to the battery pack holder (4a). Ensure that it clicks in place (Fig. B).

### Charging the battery pack

The battery has been shipped in a low charge condition. Charge it fully before first use. Refer to the charger instruction manual for the details.

### Battery capacity indicators

The battery pack (6) is equipped with battery capacity indicators (6b) which are used to give an indication of the battery pack's remaining capacity. Press the battery capacity button (6c) to check battery capacity (Figs. C, D). The LEDs will stay lit for approximately 5 seconds.

## SAW BLADE



**WARNING!** Always use saw blades according to the intended use! For example, never use a saw blade intended for working on wood for working on metal or vice versa!



Observe the technical specifications of this product and the saw blades when purchasing and using saw blades! Attachments are sharp and hot after use! Handle them with care! Wear safety gloves when handling attachments to avoid injuries like burns and cuts!

### Selecting the saw blade

Only T shank saw blades can be used with the product.

### Inserting

1. Unlock the saw blade holder (13) by turning the locking sleeve (13a) in anti-clockwise direction and hold it in position (Fig. E, step 1).



**NOTE:** Clean the shank of the saw blade (17 / 18) before inserting it. A dirty shank cannot be securely fixed in place.

2. Align and fully insert the saw blade into the saw blade holder (13) until the stop is reached (Fig. E, step 2).
3. Release the locking sleeve (13a). It must turn back completely and make sure the saw blade sits firmly in the saw blade holder (13) (Fig. E, step 3).
4. Make sure that the saw teeth always point to front.
5. Make sure when inserting the saw blade that the back of the saw blade is in the groove on the guide roller (12).
6. Check that the saw blade is seated securely by pulling the saw blade. A loose saw blade can fall out and lead to injuries.

### Replacing / Removing

1. Unlock the saw blade holder (13) by turning the locking sleeve (13a) in anti-clockwise direction and hold it in position.
2. Hold the saw blade to avoid it being ejected by the inner spring force.
3. Remove the saw blade and insert a new one as described above if desired.



## DUST/CHIP EXTRACTION



**WARNING!** Attach a dust extraction device when using this product to keep the working area clean! Wear a dust mask when operating this product! Dust can be harmful to health! Especially dust and chips of wood that has been treated, e.g. with wood preservative or a stain!

Attach a proper dust extraction device, e.g. a suitable vacuum cleaner attachment (Ø35mm) to the dust extraction pipe (16).

1. Insert the dust extraction tube (16) into the dust extraction port (9) on the base plate (10) (Fig. F).
2. Ensure that the dust extraction tube (16) is pushed in fully until the stop is reached.
3. Insert a suitable vacuum cleaner attachment (35mm) into the dust extraction tube (16) (Fig. G).

## PLASTIC SHOE

The plastic shoe (10a) was pre-assembled on the base plate (10) and is for use when cutting on fine surfaces, to help prevent scratching.

The user can disassemble it if necessary.

1. Press the tips of the plastic shoe (10a) against the base plate (10) to make it release it (Fig. H, step 1).
2. Remove the plastic shoe (10a) (Fig. H, Step 2) and store it in a safe place to avoid loss.



Use

## Intended use

This power tool is intended for cutting wood and similar material e. g. MDF and chipboard, plastic and metal using appropriate saw blades.

The product must be used in an upright position only with the base plate laying flat on the workpiece. It may not be used upside down or as stationary product on a work bench.

The product must not be used on masonry and materials that are harmful to health.

For safety reasons it is essential to read the entire instruction manual before first operation and to observe all the instructions therein.

## Before you start

### 01 Protection



## Controls

### 01 Switching On/Off (Fig. I)

1. Switch the product on by pressing the On button(I) (2) for about 3 seconds.
2. Switch the product off by pressing the Off button(O) (3).

### 02 Speed dial (Fig. J)

Rotate the speed dial (7) downward to increase the stroke rate with the bigger number displayed.

Rotate the speed dial (7) upward to decrease the stroke rate with the smaller number displayed.



**NOTE:** The required stroke rate is dependent on the material and the work conditions and can be determined using practical tests. It is recommended that you reduce the stroke rate when placing the saw blade on the workpiece and when sawing plastic and aluminium. During prolonged periods of use at a low stroke rate, the power tool may heat up significantly. Remove the saw blade and let the power tool run at the maximum stroke rate for around three minutes to cool down.

### 03 Pendulum level (Fig. K)

The pendulum action can be adjusted using 4 different settings. You can adjust the pendulum action during operation using the pendulum adjusting lever (11).

- 0 No pendulum action
- I Low pendulum action
- II Middle pendulum action
- III High pendulum action



**NOTE:** The optimum pendulum level for each application can be determined by a practical test.

Note the following recommendations:

- Select a lower pendulum level or switch off the pendulum action completely if you wish to produce a finer or cleaner cutting edge.
- Work on hard materials (e.g. steel) with no pendulum action.
- You can work on soft materials and saw wood in the direction of the grain with pendulum action.

### 04 Bevel angle

The base plate (10) can be swivelled to the right or left to make bevel cuts up to 45° (Fig. M). The base plate has lock-in slots at 0°, 15°, 30° and 45° on the left and right so that the precise bevel angle can be adjusted.

1. Rotate the lever (8) anticlockwise to unlock the base plate (10) (Fig. L, Step 1).
2. Pull back on the base plate (10) (Fig. L, Step 2).
3. Rotate the base plate (10) to choose the desired bevel angle (Fig. L, Step 3).
4. Push forward the base plate (10) to lock-in slot corresponding to the desired bevel angle (Fig. L, Step 4).
5. Close the lever clockwise and ensure the base plate (10) is reliably locked (Fig. L, Step 5).



**NOTE:** The adjusting of bevel angle is not applicable for curve cutting.

## 05 Automatic work light

The LED work light (14) will illuminate when pressing the On(I) button (2), and will automatically turn off a short while after pressing the Off(O) button (3) (Fig. N). This provides additional light on the surface of the workpiece for operation in lower light situations.



**WARNING!** Do not look directly into the light.

## Operation

1. Check the product, as well as accessories for damage before each use. Do not use the product if it is damaged or shows wear.
2. Double check that the accessories and attachments are properly fixed.
3. Always hold the product by its handles. Keep the handles dry to ensure safe support.
4. Ensure that the air vents are always unobstructed and clear. Clean them if necessary with a soft brush. Blocked air vents may lead to overheating and damage the product.
5. Switch the product off immediately if you are disturbed while working by other people entering the working area. Always let the product come to complete stop before putting it down.
6. Do not overwork yourself. Take regular breaks to ensure you can concentrate on the work and have full control over the product.



**WARNING!** Keep in mind that there are buried objects hidden in every household! Ensure that there are no gas, water or power lines hidden in the working area that may be hit before operation – danger of electrical shock and serious damage to people and property! Use a suitable detector to trace such objects in advance!

## 01 Cutting



**WARNING!** Danger of kickback! Apply the product to the workpiece only when switched on!

**WARNING!** Always ensure the base plate (10) lays flat on the workpiece during operation! Do not try to make cuts with the product only held by one hand!



**NOTE:** Take the cutting channel into consideration when cutting along marked cutting lines. Do not cut directly on the line but next to it (Fig. O). It is recommended to make a trial cut before working on the actual workpiece to determine the position and width of the cutting channel, especially after replacing the blade or changing bevel angle. Switch the product off, let it come to a complete stop and remove the battery pack if the saw blade gets stuck in the workpiece. Only then free the jammed blade.

1. Cut in the direction of the wood grain whenever possible to avoid jamming the saw blade and fraying edges.
2. Always add cooling liquid along the cutting line to reduce heat when cutting metal.
3. Ensure that there is sufficient clearance for the saw blade under the workpiece (Fig. P).
4. Hold the product with one hand on the grip handle (4), and with the other hand on the motor head (1).
5. Switch on the product to reach required stroke rate before placing it on the workpiece.
6. Carefully lead the product toward the workpiece. Place the base plate (10) flat on the workpiece and push the product at an even speed.

7. Only apply as much forward and vertical pressure as necessary to keep the product flat on the workpiece. Higher pressure will not increase but lower the performance of the product and leads to uneven results.
8. Keep the product moving at all times, do not stop in one position to avoid grooves.
9. On completion of the cut, switch off the product, then pull the saw blade out of the cut.

## After use

1. Switch the product off, remove the battery back, let it cool down and remove the blade.
2. Check, clean and store the product as described below.



+



Care & maintenance



**WARNING!** Always switch the product off, remove the battery back and let the product cool down before performing inspection, maintenance and cleaning work!



Only perform care and maintenance work according to these instructions! All further works must be performed by a qualified specialist!

## Clean

1. Clean the product with a dry cloth. Use a brush for areas that are hard to reach.
2. In particular clean the switches and air vents after every use with a cloth and brush.
3. Remove stubborn dust with high pressure air (max. 3 bar).
4. Check for worn or damaged parts. Replace worn parts as necessary or contact an authorised service centre for repair before using the product again.



Do not use chemical, alkaline, abrasive or other aggressive detergents or disinfectants to clean this product as they might be harmful to its surfaces.



## Maintenance

Your tool requires no additional lubrication or maintenance. There are no user serviceable parts in your tool.

## Transportation

1. Switch the product off and remove the battery pack.
2. Protect the product from any heavy impact or strong vibrations which may occur during transportation in vehicles.
3. Secure the product to prevent it from slipping or falling over.

## Storage

1. Switch the product off and remove the battery pack.
2. Clean the product as described above.
3. Store the product and its accessories in a dark, dry, frost-free, well-ventilated place.
4. Always store the product in a place that is inaccessible to children. The ideal storage temperature is between 10 °C and 30 °C.
5. We recommend using the original package for storage or covering the product with a suitable cloth or enclosure to protect it against dust.

## Troubleshooting

Suspected malfunctions are often due to causes that the users can fix themselves. Therefore check the product using this section. In most cases the problem can be solved quickly.



**WARNING!** Only perform the steps described within these instructions! All further inspection, maintenance and repair work must be performed by an authorised service centre or a similarly qualified specialist if you cannot solve the problem yourself!

Problem	Possible cause	Solution
1. Product does not start	1.1. Battery pack not properly attached 1.2. Battery pack discharged 1.3. Battery pack damaged 1.4. Other electrical defect to the product	1.1. Attach properly 1.2. Remove and charge battery pack 1.3. Check by a specialist electrician 1.4. Check by a specialist electrician
2. Product does not reach full power	2.1. Battery pack capacity too low 2.2. Air vents are blocked	2.1. Charge battery pack 2.2. Clean the air vents
3. Unsatisfactory result	3.1. Saw blade is worn 3.2. Saw blade not suitable for intended operation	3.1. Replace with a new one 3.2. Use suitable saw blade
4. Product suddenly stops	4.1. Product overloaded 4.2. Battery pack discharged 4.3. Battery too hot	4.1. Remove the product from the workpiece and switch it on again 4.2. Remove and charge battery pack 4.3. Remove battery pack and let it cool down
5. Excessive vibration or noise	5.1. Saw blade is dull/damaged 5.2. Saw blade is too long or short	5.1. Replace with a new one 5.2. Change the saw blade with suitable length

## Recycling and disposal



Waste electrical products should not be disposed of with household waste. Please recycle where facilities exist.

Check with your local authority or local store for recycling advice.

For further information visit [www.recycle-more.co.uk](http://www.recycle-more.co.uk).

### Disposal of an exhausted battery pack



The battery is Li-Ion type. To preserve natural resources, please recycle or dispose of the battery pack properly. Consult your local waste authority for information regarding available recycling and / or disposal options.

Discharge your battery pack by operating your tool, then remove the battery pack from the tool and cover the battery pack connections with heavy duty adhesive tape to prevent short circuit and energy discharge.

Do not attempt to open or remove any of the components.



## Guarantee

We take special care to select high quality materials and use manufacturing techniques that allow us to create products incorporating design and durability. This product (**Erbauer** Jig saw ) has a manufacturer's guarantee of 3 years against manufacturing defects, from the date of purchase (if bought in store) or date of delivery (if bought online), at no additional cost.

To make a claim under this guarantee, you must present your proof of purchase (such as a sales receipt, purchase invoice or other evidence admissible under applicable law), please keep your proof of purchase in a safe place. For this guarantee to apply, the product you purchased must be new, it will not apply to second hand or display products. Unless stated otherwise by applicable law, any replacement product issued under this guarantee will only be guaranteed until expiry of the original guarantee period.

This guarantee covers product failures and malfunctions provided the product was used for the purpose for which it is intended and subject to installation, cleaning, care and maintenance in accordance with the information contained in these terms and conditions, in the user manual and standard practice, provided that standard practice does not conflict with the user manual.

This guarantee does not cover defects and damage caused by normal wear and tear or damage that could be the result of improper use, faulty installation or assembly, neglect, accident, misuse, or modification of the product. Unless stated otherwise by applicable law, this guarantee will not cover, in any case, ancillary costs (shipping, movement, costs of uninstalling and reinstalling, labour etc), or direct and indirect damage.

This guarantee does not cover defects and damage caused by or resulting from:

- Normal wear and tear
- Overload, misuse or neglect
- Repairs attempted by anyone other than an authorised agent
- Cosmetic damage
- Damage caused by foreign objects, substances or accidents
- Accidental damage or modification
- Failure to follow manufacturer's guidelines
- Loss of use of the goods



EN

Batteries and battery chargers are not covered under the Erbauer 3 Year Warranty and will have a guarantee period of 2 years from the date of purchase.

If the product is defective, we will, within a reasonable time, repair or replace it.

Rights under this guarantee are enforceable in the country in which you purchased this product. Guarantee related queries should be addressed to the store you purchased this product from.

The guarantee is in addition to and does not affect your statutory rights.



## Declaration of conformity



(EN) EU DECLARATION OF CONFORMITY  
 (FR) DÉCLARATION UE DE CONFORMITÉ  
 (PL) DEKLARACJA ZGODNOŚCI UE  
 (RO) DECLARAȚIA DE CONFORMITATE UE  
 (ES) DECLARACIÓN UE DE CONFORMIDAD  
 (PT) DECLARAÇÃO DE CONFORMIDADE UE

Product/ Produit/ Produkt/Produsul/Producto/Produto		
<ul style="list-style-type: none"> <li>• CORDLESS JIGSAW /SCIE SAUTEUSE SANS FIL/WYRZYNARKA AKUMULATOROWA/ FIERĂSTRĂU VERTICAL CU ACUMULATOR/SIERRA DE CALAR A BATERIA/SERRA DE VAIVÉM A BATERIA</li> <li>• EJS12-Li</li> <li>• SN: 000001-999999</li> </ul>		
Name and address of the manufacturer or his authorised representative: Nom et adresse du fabricant ou de son mandataire: Nazwa i adres producenta lub jego upoważnionego przedstawiciela: Denumirea și adresa producătorului sau a reprezentantului său autorizat: Nombre y dirección del fabricante o de su representante autorizado: Nome e endereço do fabricante ou do respetivo mandatário:		
Kingfisher International Products B.V., Rapenburgerstraat 175E, 1011 VM Amsterdam, The Netherlands		
This declaration of conformity is issued under the sole responsibility of the manufacturer. La présente déclaration de conformité est établie sous la seule responsabilité du fabricant. Niniejsza deklaracja zgodności wydana zostaje na wyłączną odpowiedzialność producenta. Prezenta declarație de conformitate este emisă pe răspunderea exclusivă a producătorului. La presente declaración de conformidad se expide bajo la exclusiva responsabilidad del fabricante. A presente declaração de conformidade é emitida sob a exclusiva responsabilidade do fabricante.		
Object of the declaration/Objet de la déclaration/Przedmiot deklaracji/Obiectul declarației/Objeto de la declaración/Objeto da declaração		
Product/Produit/Produkt/Produsul/Producto/ Produto	Model/Modèle/Model/ Modelul/Modelo/Modelo	EAN
CORDLESS JIGSAW SCIE SAUTEUSE SANS FIL WYRZYNARKA AKUMULATOROWA FIERĂSTRĂU VERTICAL CU ACUMULATOR SIERRA DE CALAR A BATERIA SERRA DE VAIVÉM A BATERIA	EJS12-Li	5059340010717 5059340043111 5059340043111 5059340043111 5059340043111 5059340043111
The object of the declaration described above is in conformity with the relevant Union harmonisation legislation: L'objet de la déclaration décrit ci-dessus est conforme à la législation d'harmonisation de l'Union applicable: Wymieniony powyżej przedmiot niniejszej deklaracji jest zgodny z odpowiednimi wymaganiami unijnego prawodawstwa harmonizacyjnego: Obiectul declarației descris mai sus este în conformitate cu legislația relevantă de armonizare a Uniunii: El objeto de la declaración descrita anteriormente es conforme con la legislación de armonización pertinente de la Unión: O objeto da declaração acima descrito está em conformidade com a legislação de harmonização da União aplicável:		
2006/42/EC as amended Machinery Directive 2014/30/EU as amended Directive Electromagnetic compatibility 2011/65/EU as amended Directive Restriction of the use of certain hazardous substances in electrical and electronic equipment		
Directive 2006/42/CE relative aux machines 2014/30 / UE telle que modifiée Directive Compatibilité électromagnétique Directive 2011/65/UE relative à la limitation de l'utilisation de certaines substances dangereuses dans les équipements électriques et électroniques		
2006/42/WE w zmienionej dyrektywie maszynowej 2014/30 / UE ze zmianami Dyrektywa Kompatybilność elektromagnetyczna 2011/65 / UE ze zmianami Dyrektywa Ograniczenie stosowania niektórych niebezpiecznych substancji w sprzęcie elektrycznym i elektronicznym		
2006/42/CE, astfel a fost modificată Directiva privind echipamentele 2014/30/UE, astfel a fost modificată Directiva privind compatibilitatea electromagnetica 2011/65/UE, astfel a fost modificată Directiva privind limitarea utilizării anumitor substanțe periculoase în echipamentele electrice și electronice		

Directiva sobre maquinaria modificada 2006/42/CE  
 2014/30/UE modificada Directiva Compatibilidad electromagnética  
 2011/65/UE modificada Directiva Restricción del uso de determinadas sustancias peligrosas en equipos eléctricos y electrónicos

2006/42/CE como diretiva de máquinas alteradas  
 2014/30/UE como alteração da compatibilidade eletromagnética  
 2011/65/UE como restrição diretiva alterada da utilização de certas substâncias perigosas em equipamentos elétricos e eletrônicos

References to the relevant harmonised standards used or references to the other technical specifications in relation to which conformity is declared:

Références des normes harmonisées pertinentes appliquées, y compris la date de celles-ci, ou des autres spécifications techniques, y compris la date de celles-ci, par rapport auxquelles la conformité est déclarée:

Odwolania do odnośnych norm zharmonizowanych, które zastosowano, wraz z datą normy, lub do innych specyfikacji technicznych, wraz z datą specyfikacji, w odniesieniu do których deklarowana jest zgodność:

Trimiteri la standardele armonizate relevante folosite, inclusiv data standardului, sau trimeri la celelalte specificații tehnice, inclusiv data specificațiilor, în legătură cu care se declară conformitatea:

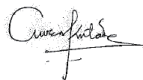
Referencias a las normas armonizadas pertinentes utilizadas, incluidas las fechas de las normas, o referencias a las otras especificaciones técnicas, incluidas las fechas de las especificaciones, respecto a las cuales se declara la conformidad:

Referências às normas harmonizadas aplicáveis utilizadas, incluindo a data da norma, ou às outras especificações técnicas, incluindo a data da especificação, em relação às quais é declarada a conformidade:

EN 62841-1: 2015  
 EN 62841-2-11:2016  
 EN 55014-1:2017+A11:2020  
 EN IEC 55014-1:2021  
 EN 55014-2:2015  
 EN IEC 55014-2:2021

Authorised signatory and technical file holder/Signataire et responsable de la documentation technique autorisé/ Podmiot uprawniony do wystawienia i adres przechowywania dokumentacji technicznej/Semnatar autorizat și deținător al dosarului tehnic/Firmante autorizado y titular del expediente técnico/ signatário autorizado e detentor da ficha técnica

Kingfisher International Products B.V.,  
 Rapenburgerstraat 175E,  
 1011 VM Amsterdam,  
 The Netherlands




David Awe  
 Group Quality Director

07/10/2021



## (UK) DECLARATION OF CONFORMITY

Product		
<ul style="list-style-type: none"> <li>• CORDLESS JIGSAW</li> <li>• EJS12-Li</li> <li>• Serial number: 000001-999999</li> </ul>		
Name and address of the manufacturer or his authorised representative:		
Kingfisher International Products Limited 3 Sheldon Square London W2 6PX United Kingdom		
This declaration of conformity is issued under the sole responsibility of the manufacturer.		
Object of the declaration		
Product	Model	EAN
CORDLESS JIGSAW	EJS12-Li	5059340010717
The object of the declaration described above is in conformity with the relevant legislation:		
Supply of Machinery (Safety) Regulations 2008 as amended Electromagnetic Compatibility Regulations 2016 as amended The Restriction of the use of Certain Hazardous Substances in Electrical and Electronic Equipment Regulations 2012 as amended		
References to the relevant designated standards used or references to the other technical specifications in relation to which conformity is declared:		
BS EN 62841-1: 2015 BS EN 62841-2-11:2016 EN 62841-1: 2015 EN 62841-2-11:2016 EN 55014-1:2017+A11:2020 EN IEC 55014-1:2021 EN 55014-2:2015 EN IEC 55014-2:2021 BS EN 55014-1: 2017+A11: 2020 BS EN IEC 55014-1:2021 BS EN 55014-2: 2015 BS EN IEC 55014-2:2021		
Authorised signatory and technical file holder:		
Kingfisher International Products Limited 3 Sheldon Square London W2 6PX United Kingdom		
		
David Awe Group Quality Director		
		On:07/10/2021



**Manufacturer • Fabricant • Producent • Producător • Fabricante:**

**UK manufacturer:**

Kingfisher International Products Limited  
3 Sheldon Square London W2 6PX  
United Kingdom  
[www.kingfisher.com/products](http://www.kingfisher.com/products)

**EU manufacturer:**

Kingfisher International Products B.V.  
Rapenburgerstraat 175E  
1011 VM Amsterdam  
The Netherlands

[www.diy.com](http://www.diy.com) | [www.screwfix.com](http://www.screwfix.com) | [www.screwfix.ie](http://www.screwfix.ie)

To view instruction manuals online,  
visit [www.kingfisher.com/products](http://www.kingfisher.com/products)

Customer Helpline:

UK 03301248111 [erbauer@powertoolservicing.co.uk](mailto:erbauer@powertoolservicing.co.uk)

Eire 0035312479977 [erbauer@powertoolservicing.co.uk](mailto:erbauer@powertoolservicing.co.uk)