

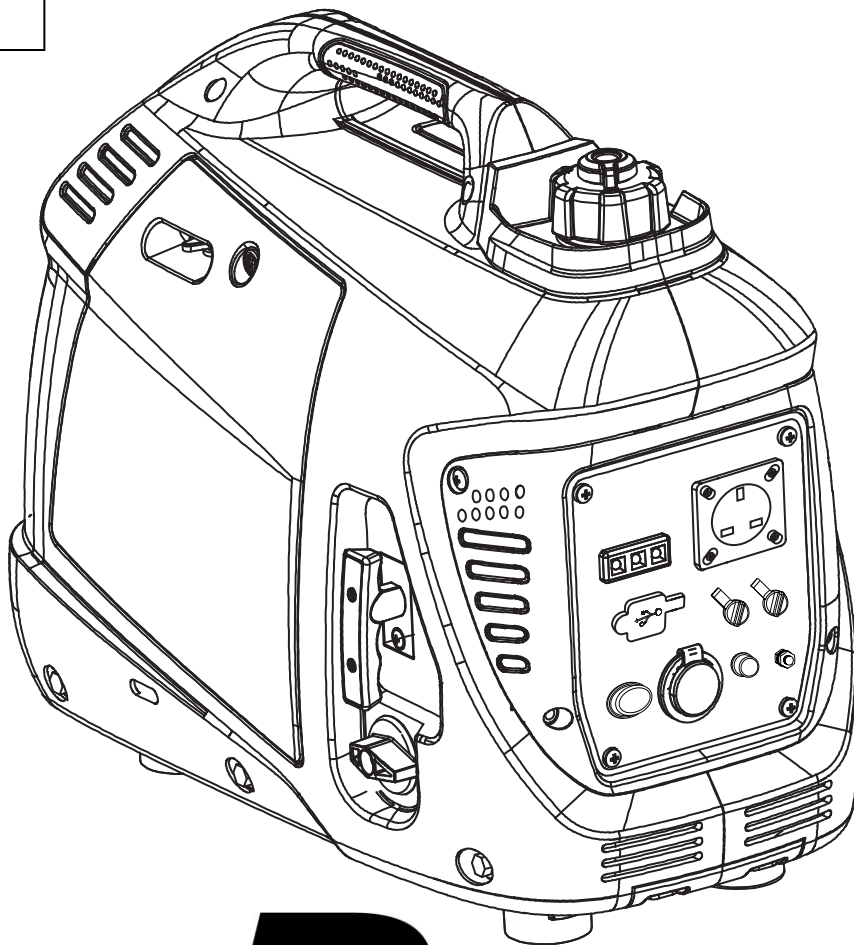
# P1PE INVERTER GENERATOR

## P1000i

User Manual

CE

**FOR YOUR SAFETY**  
You must read and understand  
this manual before use.  
Keep this manual for future  
reference.



# INDEX

	<b>CONTENTS</b>	<b>PAGE NO.S</b>
1	SAFETY	3 - 7
2	PART LOCATIONS	8
3	PRE-OPERATION CHECK	9
4	STARTING PROCEDURE	10 - 11
5	STOPPING PROCEDURE	12
6	OPERATING INSTRUCTIONS	13 - 17
7	MAINTENANCE	17 - 22
8	TRANSPORT & STORAGE	22 - 23
9	TROUBLE SHOOTING	24
10	SPECIFICATION	25
11	RECYCLING & PRODUCT DISPOSAL	26
12	DECLARATION OF CONFORMITY	27
13	CONTACT DETAILS	28
14	WARRANTY	28

# 1. SAFETY

- 1.1 **General Safety Notes.**
- 1.2 The operator of the machine is responsible for, and has a duty of care in making sure that the machine is operated safely and in accordance with the instructions in this user manual. Keep the manual safe and pass it on if the machine is loaned or sold to another user.
- 1.3 Please note the following safety points.
- 1.4 The machine should never be left in a condition which would allow an untrained or unauthorised person/s to operate this machine.
- 1.5 All due care and diligence should be taken by the operator for the safety of and with regard to those around whilst using the machine.
- 1.6 Some or all of the following - warning signs, symbols and/or PPE pictograms may appear throughout this manual. You **MUST** adhere to their warnings. Failure to do so may result in personal injury to yourself or those around you.



## DANGER

Indicates a hazard, which, if not avoided, could result in serious injury or death.



## WARNING

Indicates a hazard, which, if not avoided, could result in serious injury.



## CAUTION

Indicates a hazard which, if not avoided, might result in minor or moderate injury.



## NOTE

Indicates a situation that could easily result in equipment damage.

READ and keep the manual safe and pass it on if the machine is loaned or sold to another user.

You **MUST** fully understand all instructions to ensure you use and operate the machine safely.

Appropriate Personal Protective Equipment (PPE), **MUST** be worn at all times when operating or repairing the machine.





### 1.10 Carbon Monoxide (where applicable).

1.11 Carbon monoxide is a colourless and odourless gas. Inhaling this gas can cause death as well as serious long term health problems such as brain damage.

1.12 The symptoms of carbon monoxide poisoning can include but are not limited to the following;  
Headaches, dizziness, nausea, breathlessness, collapsing or loss of consciousness.

1.13 Carbon monoxide poisoning symptoms are similar to flue, food poisoning, viral infections and simply tiredness. It is quite common for people to mistake this very dangerous poisoning for something else.

1.14 To avoid carbon monoxide poisoning **DO NOT** use Petrol/Diesel powered equipment inside any of the following; Home, garage, tent, camper van, mobile home, caravan or boat. This is not exhaustive and if you are in any doubt contact your dealer.

1.15 If you think you have or someone around you has been affected by carbon monoxide poisoning;

1.16 Get them fresh air immediately, by leaving the affected area or by opening doors and windows. If safe and practical to do so make sure that the machine is turned off. **DO NOT** enter a room you suspect of having carbon monoxide present – instead call the emergency services.

1.17 Contact a Doctor immediately or go to Hospital – let them know that you suspect carbon monoxide poisoning.

1.18 **DO NOT** use in an enclosed area or moving vehicle.

### 1.20 General Fuel Safety (where applicable).



## CAUTION

### ALL FUELS ARE FLAMABLE

1.21 Fire Hazard – keep fuel away from all sources of ignition for example heaters. Lamps, sparks from grinding or welding.



1.22 **DO NOT** carry out hot work on tanks that have contained fuel.

1.23 **ALWAYS** keep the work area tidy.

1.24 **ALWAYS** clean up spills promptly using absorbent granules and a lidded bin.

1.25 **ALWAYS** dispose of waste fuels correctly.

1.30 **Fueling/De-fueling (where applicable).**



## **CAUTION**

**ALL FUELS ARE FLAMABLE**


1.31 **ALWAYS** fuel and defuel in a well ventilated area outside of buildings.

1.32 **ALWAYS** wear correct, suitable and fit for purpose Personal Protective Equipment (PPE), suggested items are but not limited to safety gloves, overalls.



1.33 When fueling/de-fueling **ALWAYS** avoid inhaling fumes.

1.34 When de-fueling **ALWAYS** use a proper fuel retriever.

1.35  **ALWAYS** carry fuel in the correct and clearly marked container.

1.40 **Electrical Safety (where applicable).**

1.41 Electricity can kill – **NEVER** work on **LIVE/ENERGISED** equipment.

1.42 Prior to carrying out any maintenance work you **MUST** identify electrical isolation methods and isolate all electrical supplies.

1.43 Prior to use and with all electrical supplies isolated, you **MUST** check all electrical cables, plugs and connectors for the following;

1.44 Are intact and have no signs of damage, to include but not limited to bare wires, chaffing, cuts and loose wiring.

1.45 If there are any signs of damage, the damage item **MUST** be taken out of service until the damage has been repaired by an electrically competent person.

1.46 All trailing cables should be routed so as not to cause any kind of trip hazard.

1.47  **NEVER** work on or near electricity with wet hands, wet clothing and wet gloves.



**1.50 Batteries (where present).**

- 1.51** Batteries present a risk if they become damaged by the possible leaking of electrolyte. This electrolyte is an acid and can cause serious burn injuries. Care should be taken when working on or near them. **NOTE** the electrolyte may be in a liquid or gel form.
- 1.52** Should you come in to contact with electrolyte you should;
- 1.53** Remove all clothing contaminated with electrolyte. If you cannot remove then saturate them in water.
- 1.54** Get medical assistance as soon as possible. You must advise the medical staff of the type of acid.
- 1.55** Lead/acid battery = dilute sulphuric acid.
- 1.56** Nickel/cadmium = potassium hydroxide alkali electrolyte.
- 1.57** Use fresh running water to wash off excess electrolyte, continue this until medical assistance arrives. Make sure that you do not wash the electrolyte to another part of your body or face.
- 1.58** If electrolyte comes in to contact with Eyes the electrolyte needs to be immediately washed away with large amounts of water. Make sure that you do not wash the electrolyte to another part of your face or body.
- 1.59** Gasses from charging batteries are highly flammable and great care should be taken to charge in well ventilated areas.

1.59.1



There is an explosion risk if the battery terminals are short circuited, when connecting/disconnecting **ALWAYS** exercise great care so that the terminals or battery leads are **NOT** allowed to touch and cause a spark. **ALWAYS** use suitable insulated tools.

**1.60 Vibrations (where applicable).**

- 1.61** Prolonged use of hand held (operated) machines will cause the user to feel the effects of/from vibrations. These vibrations can lead to white finger (Raynaud's phenomenon) or carpal tunnel syndrome. This condition reduces the ability of the hand to feel and regulate temperature, causing numbness and heat sensations and may cause nerve damage and circulatory tissue death.
- 1.62** Not all factors that lead to white finger disease are known, but cold weather, smoking and other diseases that affect blood vessels and blood circulation as well as large and long-lasting impact of shocks are considered factors in the formation of white finger. Note the following to reduce the risk of white finger and carpal tunnel syndrome;
- 1.63** Wear gloves and keep your hands warm.
- 1.64** Take regular breaks.
- 1.65** All of the above precautions may help reduce the risk of white finger disease but not rule out the carpal tunnel syndrome. Long-term and regular users are therefore recommended to observe the condition of your hands and fingers. Seek medical attention immediately if any of the above symptoms should occur.

**1.70 Noise (where applicable).**

**1.71** The operating noise of the machine can damage your hearing. Wear hearing protection such as earplugs or ear defenders to protect your hearing. Long-term and regular users are advised to have hearing checked regularly. Be especially vigilant and cautious when hearing ear protection because your ability to hear alarm warnings will be reduced.

**1.72** Noise emissions for this equipment is unavoidable. Carry out noisy work at approved times and for certain periods. Limit the working time to a minimum. For your personal protection and protection of people working nearby it is also advisable for them to wear hearing protection.

**1.73** See Certificate of Conformity section for Outdoor Noise declaration of conformity.



**1.74** Make sure you keep this manual handy so you may refer to it whenever questions arise and ensure you pass this manual on if the machine is loaned or sold.

**1.75** Correct Personal Protective Equipment (PPE) **MUST** be worn at all times when operating or repairing this machine. This should include but is not limited to;



**1.76** **DO NOT** use this machine inside a confined space such as but not limited to a vehicle, house, garage, container, boat or building. Only use outside in a well ventilated area.

**1.77** For air cooling a minimum of 1m is required all around the machine.

**1.78** Maximum ambient temperature 40 degrees Celsius.

**1.79** Fire risk- Fuel can expand and overflow in a hot environment or moving vehicle.

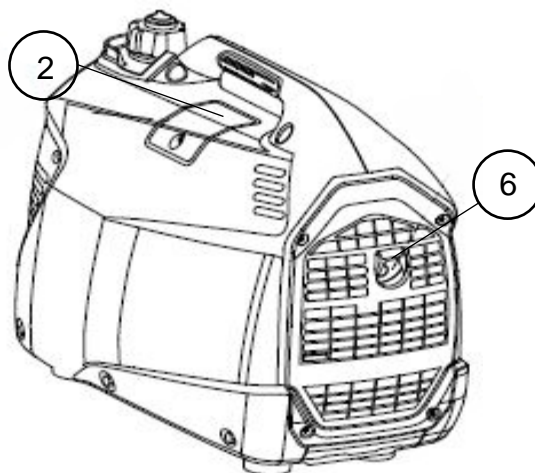
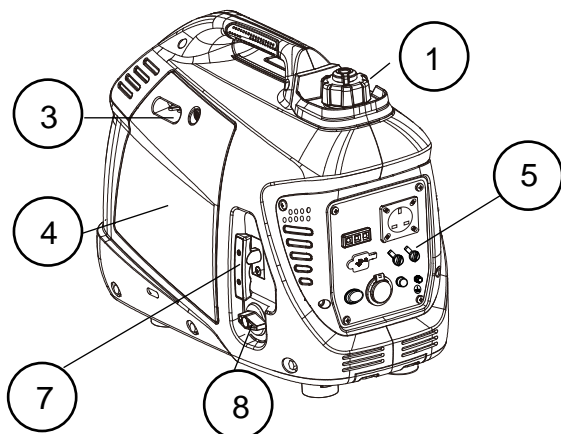
**1.80** Explosion risk- LPG/ Petrol can leak and the vapour is heavier than air. Never store in confined spaces especially in a boat where the vapour/has will accumulate in the hull and create a high risk of explosion.

**1.81** Carbon monoxide poisoning risk- Never run an engine in a confined space or poorly ventilated area. Keep the machine away from windows to prevent fumes entering the internal space. Carbon monoxide is produced by the engine and contained in the exhaust fumes. You cannot see it or smell it and it can kill you in minutes.

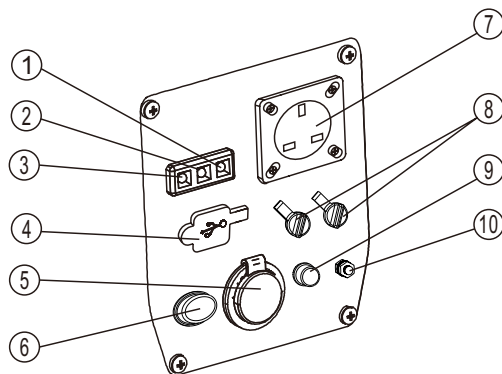
**1.82** Never use inside a confined space with an exhaust extension. If the exhaust extension fails the escaping exhaust gases could kill you.



## 2. PART LOCATIONS & SYMBOLS



1	Fuel Filler Cap	5	Control Panel
2	Spark Plug Maintenance Cover	6	Exhaust
3	Choke Lever	7	Recoil Starter Handle
4	Maintenance Cover	8	Engine Switch



1	DC 12V	6	Parallel Outputs
2	AC Output Socket	7	Economy Switch
3	AC Indicator Light (green)	8	Ground Terminal
4	Overload Indicator Light (red)	9	USB Outlet
5	Oil Warning Indicator Light (red)		



### 3. PRE-OPERATION CHECK



## WARNING

This machine is shipped without fuel and oil and **MUST** be filled before operation. Failure to do so may result in engine damage that will not be covered by Warranty. Ensure the generator is on flat, level ground before filling with fuel or oil.

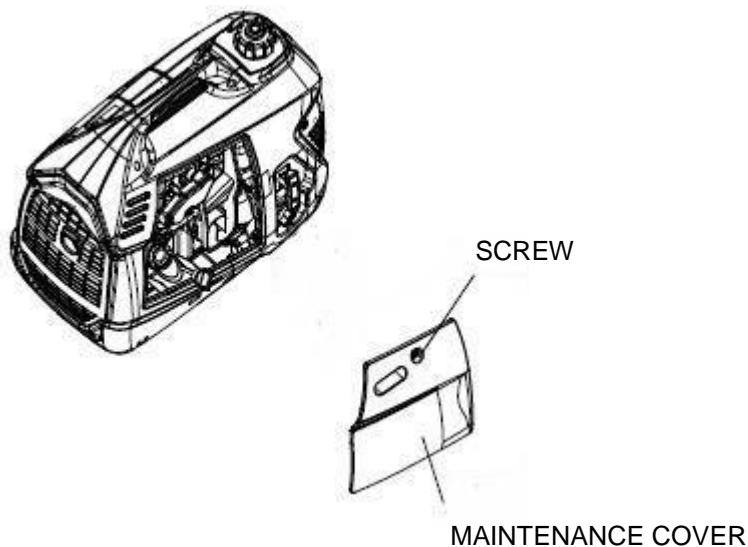
## WARNING

### ALL FUELS ARE FLAMMABLE.

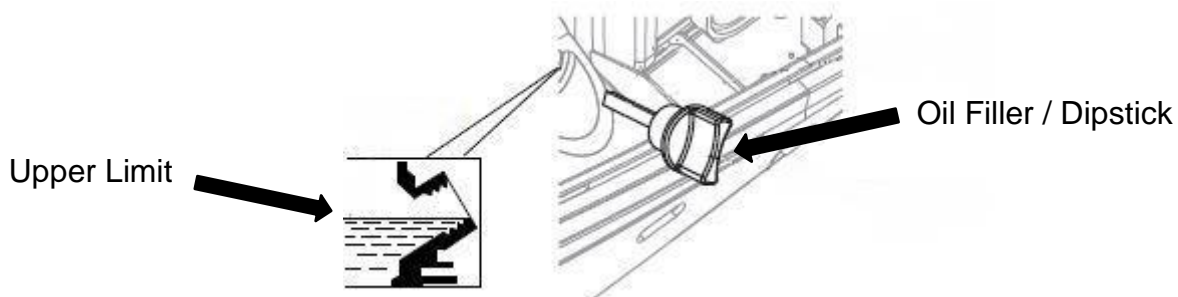
Switch off the engine and allow to cool before filling with fuel and **ALWAYS** fuel and de-fuel in a well ventilated area.

**DO NOT** mix fuel with oil

- 2.0 To fill with oil, remove the maintenance cover to gain access to the oil filler/dipstick.



- 2.1 Fill with 0.25l of fresh Semi-Synthetic SAE 15w40 engine oil to the upper limit of the oil filler neck.  
**DO NOT** overfill.
- 2.2 Fill slowly, stopping occasionally to check the oil level.
- 2.3 Once the correct amount of oil has been added, refit the dipstick securely.
- 2.4 If you overfill the oil, you can remove some by gently tilting the machine on its side and pouring out any excess oil into a suitable container.



- 2.5 Refit the maintenance cover.
- 2.6 To fill with fuel, remove the fuel filler cap.
- 2.7 Fill with 2.2l of fresh unleaded petrol.  
**DO NOT** mix the fuel with the oil.
- 2.8 **DO NOT** overfill, fill to the red upper limit mark or leave a 25mm gap between the fuel and the top of the fuel tank.
- 2.9 Wipe up any spills immediately.
- 2.10 Refit the fuel filler cap securely.

## 4. STARTING PROCEDURE



### CAUTION

For **OUTDOOR USE ONLY**.

This machine produces Carbon Monoxide which is a colourless and odourless gas. Inhaling this gas can cause death as well as serious long term health problems such as brain damage.

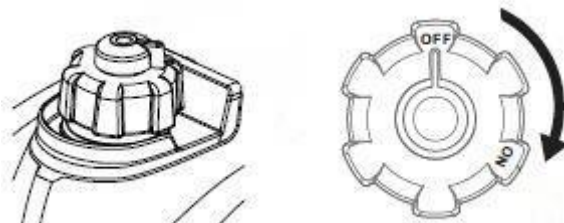


### NOTE

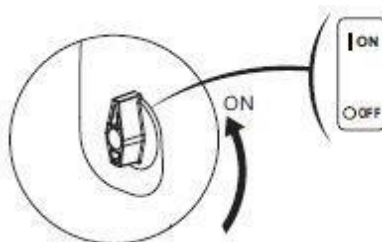
**DO NOT** start the generator with any loads connected.

## FROM COLD

- 3.0 Turn the fuel vent cap to the 'ON' position.

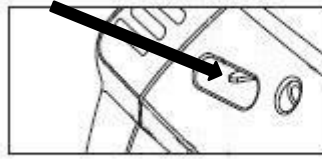


- 3.1 Turn the engine switch to the 'ON' position.



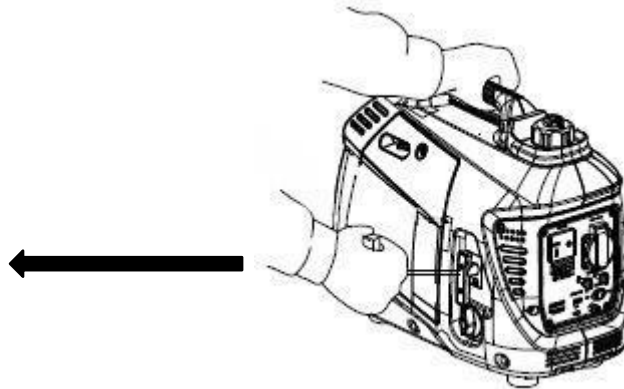
3.2 Move the choke lever to the 'CLOSED' position.

CHOKE LEVER CLOSED



3.3 Hold the generator handle firmly and pull the recoil starter handle gently until you feel resistance.

3.4 Once you feel resistance, pull the recoil starter handle swiftly in the direction shown, until the engine starts.



3.5 Return the recoil starter handle slowly by hand.  
**DO NOT** let go of the handle allowing it to spring back.

3.6 Once the generator is running and has warmed up, move the choke lever to the 'OPEN' position.



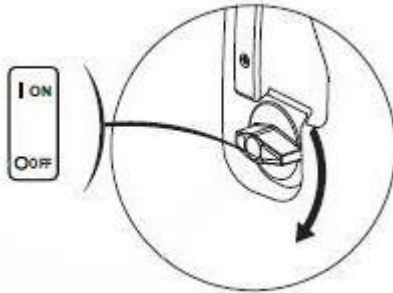
CHOKE LEVER OPEN

## FROM WARM

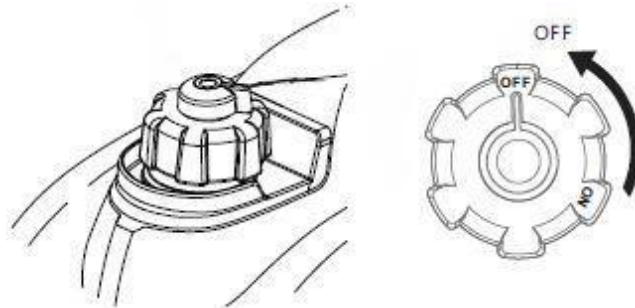
3.7 Repeat the cold starting procedure but miss out step 3.2

## 5. STOPPING PROCEDURE

- 4.0 Turn off and unplug all connected appliances.
- 4.1 Allow the generator to idle with no load for one minute.
- 4.2 Turn the engine switch to the 'OFF' position.



- 4.3 Turn the fuel cap vent lever to the 'OFF' position.



## 6. OPERATING INSTRUCTIONS



### WARNING

Connecting for standby power to a building's electrical system **MUST** be done by a qualified electrician and **MUST** comply with all applicable laws and electrical codes. Improper connections may cause serious injury to electrical workers during power outage and when the power is restored, the generator may explode or cause fires.



### WARNING

To prevent electrical shock from faulty appliances, the generator should be grounded.

Limit operation requiring maximum power to 30 minutes.

**DO NOT** exceed the current limit specified for any one socket.

**DO NOT** connect the generator to a household circuit.



### WARNING

**DO NOT** modify or use the generator for any other purpose than it was intended for.

When an extension cable is required, be sure to use a rubber sheathed flexible cable.

Limit length of extension cables to 60m for cables of 1.5mm<sup>2</sup> and 100 for cables of 2.5mm<sup>2</sup>



### WARNING

Keep the generator away from other electric cables or wires such as the distribution network.

The DC socket can be used while the AC power is in use.

If you use both at the same time, be sure not to exceed the total power for AC & DC.

The total power for AC and DC (AC:0.9kVA, DC:5A).



### WARNING

Before connecting a device to the generator, make sure the electrical rating of the device does not exceed the electrical rating of the generator.

Be sure the device is turned **OFF** before plugging in the power cord.

### NOTE



Confirm all electrical appliances are in good working condition before connecting them to the generator.

If an electrical appliance becomes abnormal, sluggish or stops suddenly, shut off the generator engine immediately and disconnect the appliance.

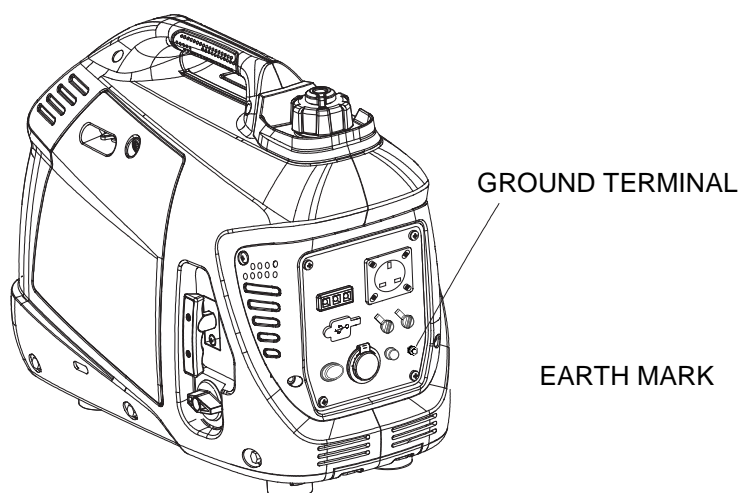


### NOTE

A new generator should be run at 50% load for 20 hours to ensure a long life from the engine.

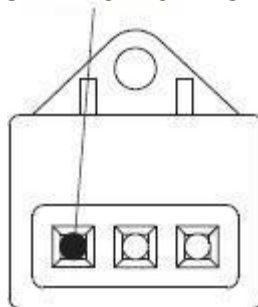
## AC APPLICATIONS

- 5.0 Before using the generator, a ground wire must be connected to the ground terminal. Before using the ground terminal, consult a qualified electrician.



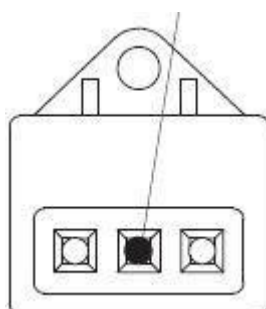
- 5.1 Start the generator engine and make sure the output indicator light (green) is on.
- 5.2 Confirm all electrical appliances are switched **OFF** and connect the appliance plug to the generator socket.
- 5.3 Turn on the appliance.
- 5.4 Under normal operating conditions, the output indicator light (green) will be ON.

OUTPUT INDICATOR LIGHT (GREEN)



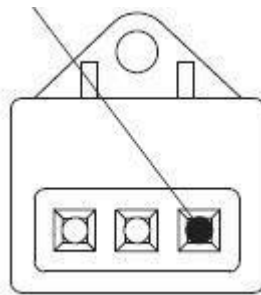
- 5.5 If the generator is overloaded (over 0.9kVA), or if the connected appliance is faulty, the output indicator light (green) will turn off and the overload indicator light (red) will turn on.

OVERLOAD INDICATOR LIGHT



- 5.6 Power to the appliance will be switched off but the generator engine will remain running.
- 5.7 Switch off the electrical appliance and disconnect it from the generator.
- 5.8 Press and hold the reset button for 1 second.
- 5.9 The output indicator light should turn back to green and be ready for use again.
- 5.10 If the indicator light does not turn back to green, stop the generator and refer to the maintenance section.
- 5.11 The oil warning system is designed to prevent engine damage caused by insufficient oil in the crank case.
- 5.12 Before the oil level in the crankcase falls below a safe limit, the oil warning system will automatically shut down the engine (the engine switch will remain in the ON position).
- 5.13 If the oil warning system shuts down the engine, the oil warning indicator light (red) will be on.

OIL WARNING INDICATOR LIGHT (RED)



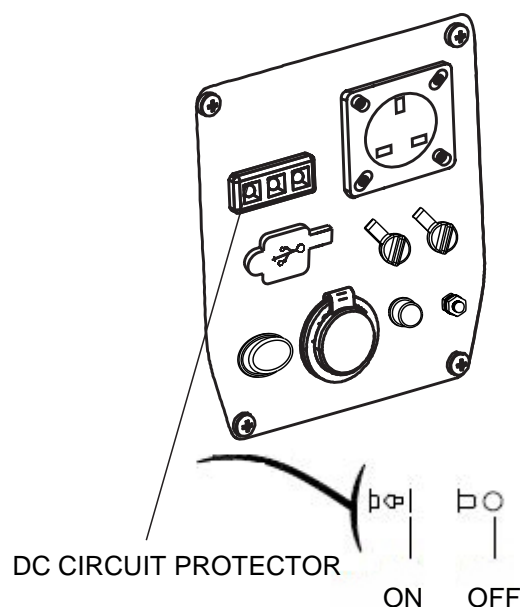
- 5.14 The engine oil level will need replacing before the engine will start again.

## DC APPLICATIONS

- 5.14 The DC socket is only used for charging a 12V battery.
- 5.15 Turn the economy switch to the **OFF** position.
- 5.16 In order to avoid producing a spark, connect the charging cables to the battery terminals first and then to the generator.  
Reverse this procedure when disconnecting.
- 5.17 Connect the positive battery terminal to the positive charging cable.  
**DO NOT** reverse the charging cable as this could damage the generator or battery.



- 5.18 Before connecting the charger to a battery that is installed in a vehicle, the negative battery cable must be disconnected first. This will prevent sparks or a short circuit if the cable accidentally contacts the vehicles body.
- 5.19 **DO NOT** start the vehicle with the battery charger connected to the battery, otherwise the generator will be damaged.
- 5.20 A battery can release explosive gasses. Keep the battery away from any sources of ignition.
- 5.21 Charge the battery in a well ventilated area.
- 5.22 Battery electrolyte contains sulphuric acid that can cause severe burns to the skin or eyes. The correct Personal Protective Equipment (PPE) **MUST** be worn when handling batteries.
- 5.23 If battery electrolyte gets on to the skin or eyes, rinse thoroughly with warm water for at least 15 minutes and call a Doctor immediately.
- 5.24 If you swallow any battery electrolyte, rinse your mouth with water and drink plenty of water or milk (with magnesia or vegetable oil) and call a Doctor immediately.
- 5.25 The DC socket can be used while the AC socket is in use.
- 5.26 If you use both at the same time, be sure not to exceed the total power for AC & DC. The total power for AC and DC (AC:0.9kVA, DC:5A).
- 5.27 If the DC circuit overloads it will trip the DC circuit protector. To reset, remove the load first and then reset the trip switch after a few minutes.



## ECONOMY SWITCH CONTROL

- 5.28 With the engine Economy Switch turned 'ON', the generator automatically determines the required engine speed based on the generator load.
- 5.29 This results in much better fuel economy and reduces noise levels.
- 5.30 With the Economy Switch turned 'OFF', the engine will run at the rated speed of 4850rpm.
- 5.31 The Economy Switch must be turned off when starting devices that require a large starting current, such as air compressors.

## 7. MAINTENANCE



### WARNING

Before cleaning, inspecting or repairing your unit, you **MUST** make sure that the engine has stopped and allowed to cool.  
You **MUST** disconnect the spark plug HT lead cap to prevent any accidental starting.



### CAUTION

**ALWAYS** refuel in a well-ventilated area with the engine off and the spark plug HT cap removed.  
Whilst carrying out maintenance you **MUST** wear appropriate Personal Protective Equipment (PPE). Suggested PPE Sturdy footwear, work gloves, long trousers and hearing protection.



### NOTE

Spare parts – If a part needs replacement, you **MUST** only use parts that meet the manufacturer's part number specifications.  
Replacement parts that **DO NOT** meet specifications may result in a safety hazard or poor operation of the generator and will **VOID** the warranty.  
Major servicing including installation or replacement parts, should be made by a qualified service technician.

Item	Maintenance	Every Usage	1 <sup>st</sup> month or 20 hours	Every 3 months or 50 hours	Every 6 months or 100 hours	Every 12 month or 200 hours
<b>Engine Oil</b>	Check Level	X				
	Change		X		X	
<b>Air Filter</b>	Check	X				
	Clean			X*		
<b>Spark Plug</b>	Check/Adjust				X	
	Replace					X
<b>Valve Clearance</b>	Check/Adjust					X**
<b>Combustion Chamber</b>	Clean	After every 300 hrs**				
<b>Fuel Tank &amp; Filter</b>	Clean				X**	
<b>Fuel Line</b>	Clean	Every 2 years, replace if necessary**				

\* Service more frequently in dusty environments.

\*\* Work to be carried out by a qualified engineer or your service dealer.

## AIR FILTER



### CAUTION

The engine **MUST NOT** be run without an air filter otherwise piston and/or cylinder damage can occur.

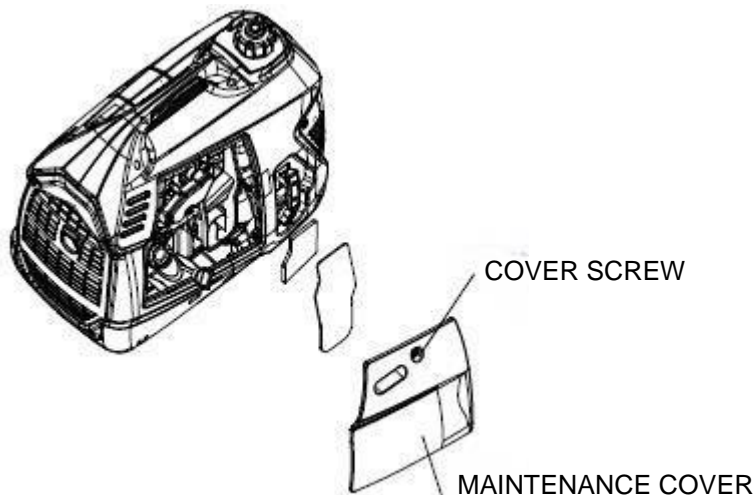
This type of damage will **NOT** be covered under warranty.

Maintaining the air filter is very important.

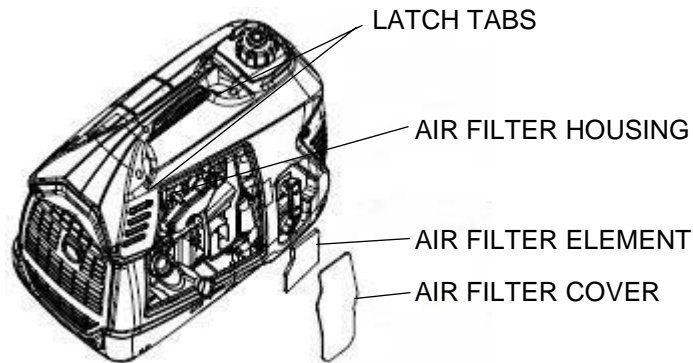
If dirt is allowed to get in to the engine through improperly installed, serviced or inadequate filter elements, it can damage and wear out the engine.

**ALWAYS** keep the filter element clean.

6.0 To gain access to the air filter, remove the maintenance cover.



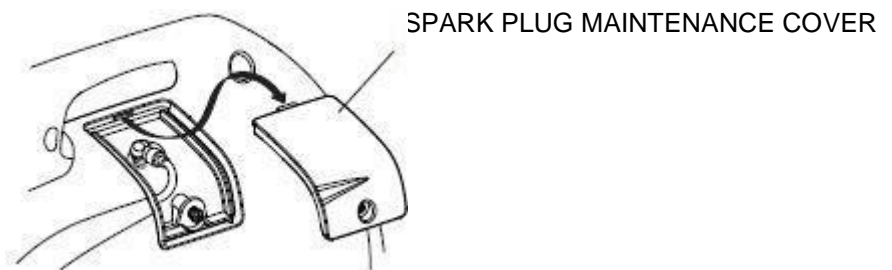
- 6.1 Press down on the latch tab on the top of the air filter housing and open the air filter cover.



- 6.2 To clean the air filter, wash in warm soapy water and allow to dry.
- 6.3 Once dry, soak in clean engine oil then squeeze to remove the excess.
- 6.4 Reinstall the air filter, air filter cover and maintenance panel.

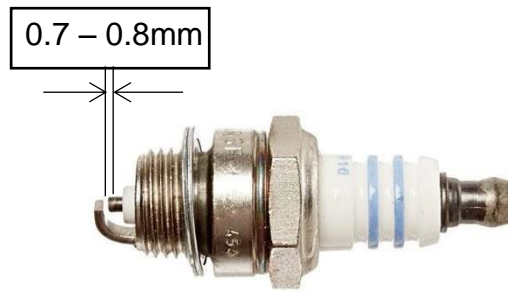
## SPARK PLUG

- 6.5 Always replace with the same model spark plug, recommended spark plug is an **NGK CR7HSA**.
- 6.6 Remove the spark plug maintenance cover.



- 6.7 Carefully remove the spark plug HT lead cap.
- 6.8 Remove the spark plug using the box spanner provided in an anti-clockwise direction.
- 6.7 Check the spark plug for visible damage and electrode erosion.
- 6.8 If damaged you **MUST** replace the spark plug.
- 6.9 Remove carbon deposits from the spark plug using a soft wire brush.

- 6.10 The spark plug gap should be 0.7 – 0.8mm.  
Check the gap using a feeler gauge and adjust as necessary by carefully bending the side electrode to achieve the correct gap.



- 6.11 Refit the cleaned and adjusted spark plug by hand to avoid cross-threading.  
6.12 After spark plug seats then tighten as necessary but avoid over-tightening.  
6.13 Re-attach the spark plug HT lead cap and spark plug maintenance cover.

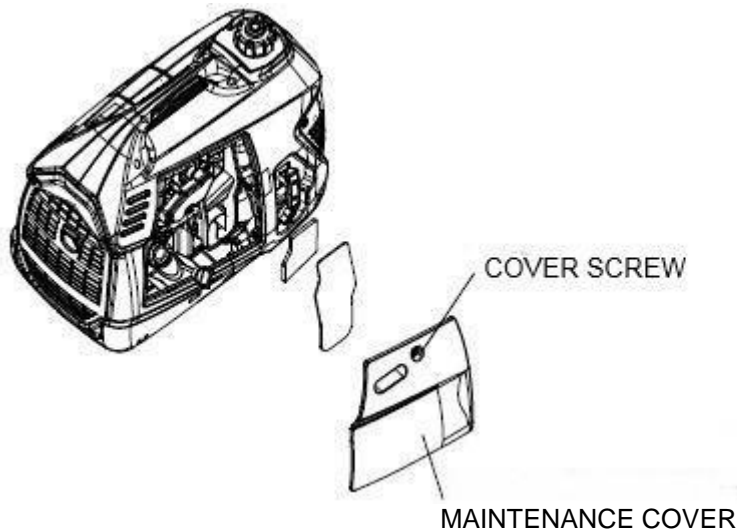
## OIL



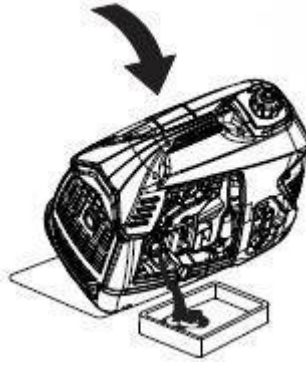
### NOTE

Oil capacity: 0.25 L  
Semi-Synthetic SAE15W-30 Engine oil.

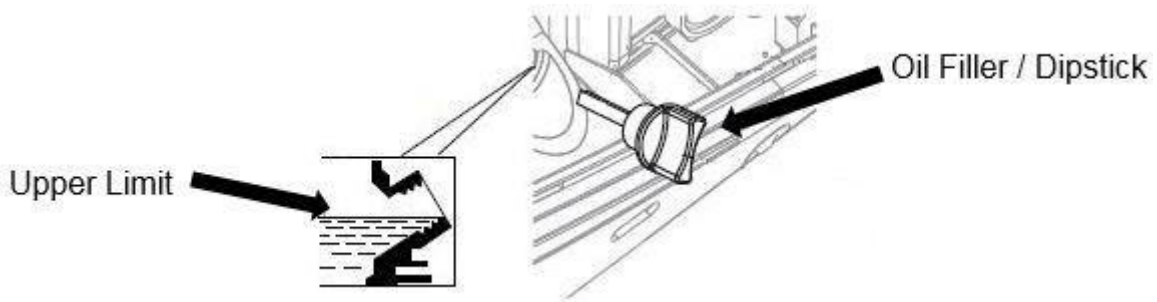
- 6.14 Remove the maintenance cover.



- 6.15 Remove the oil filler cap.  
6.16 Drain the oil through the oil filler neck, into a suitable container.



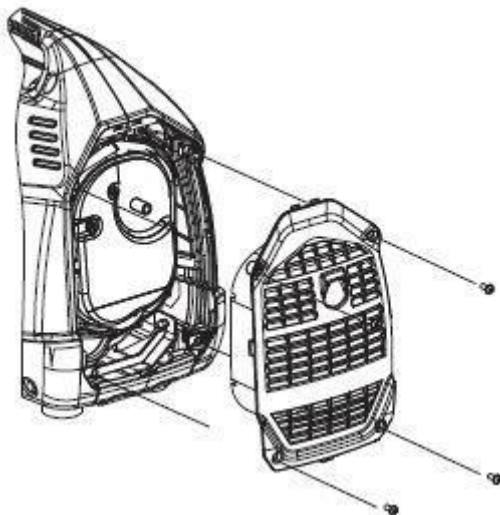
- 6.17 Place the generator on a flat, level surface.
- 6.18 Slowly refill the engine with 0.25l of semi-synthetic SAE 15W-30 engine oil to the upper level on the crank case.



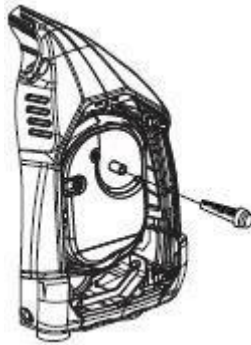
- 6.19 **DO NOT** overfill, stop occasionally to check the oil level.
- 6.20 Refit the oil filler cap securely.
- 6.21 Refit the maintenance cover.

## SPARK ARRESTOR

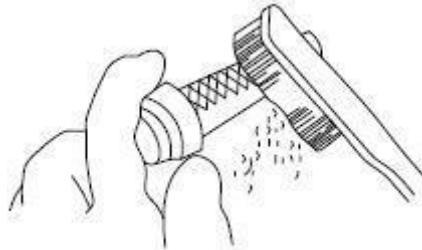
- 6.22 The spark arrestor **MUST** be maintained every 100 hours of use.
- 6.23 Remove the four screws and remove the exhaust guard.



- 6.24 Remove the spark arrester from the exhaust.



- 6.25 Remove carbon deposits from the spark arrester by using a soft wire brush. If the spark arrester shows signs of wear, it **MUST** be replaced.



- 6.26 Reinstall the spark arrester and the exhaust guard.

## 8. TRANSPORT & STORAGE

### TRANSPORT

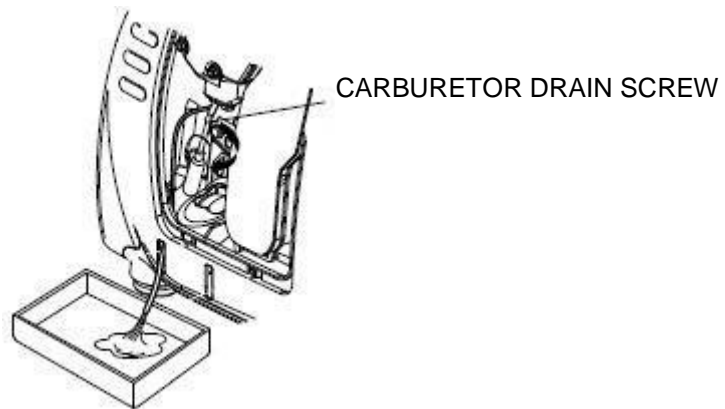
- 7.0 For transport, do not overfill the fuel tank.
- 7.1 If the generator has been used, allow it to cool for at least 15 minutes before loading it in to the transport vehicle.
- 7.2 To prevent fuel spillage, the generator should be secured upright in its normal working position with the start switch in the **OFF** position and the fuel cap vent lever in the **OFF** position.
- 7.3 If transporting over rough terrain, remove all the fuel from the fuel tank.
- 7.4 **DO NOT** drop or strike the generator when transporting.
- 7.5 **DO NOT** place heavy objects on top of the generator.

### STORAGE

- 7.6 The following steps should be taken if you store the generator for more than 30 days.



- 7.7 Drain all the fuel from the fuel tank into a suitable container.
- 7.8 Remove the maintenance cover to gain access to the carburetor.
- 7.9 Turn the engine switch to the 'ON' position and loosen the carburetor drain screw to allow the fuel in the carburetor to drain into a suitable container.



- 7.10 Remove the spark plug HT lead cap and pull the recoil starter handle three to four times to remove all the fuel from the fuel lines.
- 7.11 Turn the engine switch to the 'OFF' position and tighten the carburetor drain plug screw.
- 7.12 Change the engine oil following the procedure 6.14 to 6.20.
- 7.13 Remove the spark plug and pour a tablespoon of fresh engine oil down the cylinder bore.
- 7.14 Pull the recoil starter handle three to four times to distribute the oil along the cylinder bore, then refit the spark plug.
- 7.15 Store in a dry place away from sources of ignition.
- 7.16 Do not stack items on top of the generator.

## 9. TROUBLE SHOOTING

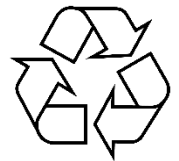
	<b>Problem</b>	<b>Recommended Action</b>
<b>Engine will not start</b>	Not enough fuel	Fill with fuel
	Start switch and fuel valve not ON	Turn them to the ON position
	Not enough engine oil	Add more oil
	No fuel in the carburetor	Start a few times to ensure fuel enters the carburetor
	Spark plug not working	Replace spark plug
Take to authorised dealer		
<b>Connected device will not start</b>	Both the output indicator and overload indicator lights are not ON	Send the generator to an authorised dealer
	If the output indicator light is ON but the device doesn't work after plugging in directly	Restart if the overload indicator light is off, if it doesn't work, send to an authorised dealer.
	Both the output indicator light and the overload indicator light are ON but device has no defects	Send the generator to an authorised dealer
<b>If there is no power in the DC outlet</b>	Electric circuit breaker is not intact	Replace the electric circuit breaker
	Electric circuit breaker is intact	Send the generator to an authorised dealer
<b>Erratic DC output</b>	Dirty air filter	Clean or replace the air filter
	Fouled petrol	Replace petrol
		Send to an authorised dealer

## 10. SPECIFICATION

<b>ENGINE</b>	<b>Model</b>						
	Type	4 stroke OHV single cylinder					
	Displacement	54cc					
	Bore/Stroke	43.5mm/40mm					
	Compression Ratio	8.5:1					
	Rated Speed	5200rpm					
	Ignition System	Full transistor					
	Starting Method	Recoil					
	Fuel Type	Unleaded petrol					
	Oil Capacity	0.25L					
	Oil Type	Semi-synthetic SAE 15W-40					
<b>GENERATOR</b>	<b>Model</b>	P1000i					
	Rated Frequency	50Hz			60Hz		
	Rated Voltage	220V	230V	240V	110V	120V	220V
	Rated Current	4.0A	3.9A	3.75A	8.2A	7.5A	4.0A
	Rated Speed	500rpm					
	Rated Output Power	0.9kVA					
	Max Output Power	1.0kVA					
<b>GENERATOR SET</b>	DC Output	12V/5A					
	Fuel Tank Volume	3.0L					
	Continuous Running Time	8.5h @ 50% load					
	Fuel Consumption	550g/kWH					
	Working Ambient Temperature	-5 to 40°C					
	Max Altitude	1000m					
	Noise Level	62 dBA @ 7m					
	Net Weight	14Kg					

## 11. RECYCLING & PRODUCT DISPOSAL

- 8.0 We do not offer a takeback scheme for the recovery of Waste Electrical Electronic Equipment (WEEE) & Batteries.  
Instead the responsibility to dispose of WEEE and or Batteries is passed onto you by us.  
So when it becomes necessary to dispose of your machine you must take it to your local Civic Amenity Site.  
For further information please contact your local Authority for disposal advice.
- 8.1 You **MUST** make sure that all unused oil and fuel is disposed of correctly either beforehand or at your local Civic Amenity Site.  
Under NO circumstances must any fuel or oil be put down any drains.
- 8.2 Certain products contain WEEE waste which should not be disposed of in your domestic waste.
- 8.3 You **MUST** recycle WEEE in accordance with your local authority or recycling centre.
- 8.4 Certain products contain batteries which should not be disposed of in your domestic waste.
- 8.5 You **MUST** recycle batteries in accordance with your local authority or recycling centre.
- 8.6 Unwanted packaging and materials should be stored and taken to a recycling centre so it can be disposed of in a manner which is compatible with the environment.
- 8.7 The following symbol means that you should 'Reduce – Reuse – Recycle'.
- 8.8 We are a Member of the VALPAK National Compliance Scheme and our registration number is **RM08660**
- 8.9 For further information about disposal please contact your Local Authority.
- 8.10 You can also get more advice and guidance about recycling at the following website.  
<http://www.recycle-more.co.uk>
- 8.11 Should you pass this product on to another user either sold or loaned, you **MUST** pass on this user manual.  
This will make sure that all other users can use and maintain this machine safely.



## 12. DECLARATION OF CONFORMITY

Genpower Ltd confirms that these P1PE products conform to the following CE Directives.

97/68/EC Non Road Mobile Machinery Directive  
2000/14/EC Outdoor Noise Directive  
2004/108/EC Electro Magnetic Compatibility Device  
2006/42/EC Machinery Directive

### EC DECLARATION OF CONFORMITY

The undersigned, as authorised by:

**GENPOWER Ltd**

Conforms to the Directive **2000/14/EC (as amended)** of the European Parliament and of the council on the approximation of the laws of the Member States relating to the noise emission in the environment by equipment for use outdoors.

Equipment category: **Power Equipment**

Product Name/Model: **P1000i**

Type/Serial No: **Inverter Generator**

Net installed power: **6.5kVa**

The technical documentation is kept by: **Roland Llewellyn, c/o Genpower Ltd,  
Isaac Way, Pembroke Dock, Pembrokeshire, SA72 4RW**

The conformity assessment procedure followed was in accordance with annex V or VI of the Directive.

Notified Body: **AV Technology Ltd, Unit 12 Easter Court, Europa  
Boulevard,  
Warrington, Cheshire, WA5 7ZB**

Certificate N<sup>o</sup>/Test report N<sup>o</sup>: **OND-2016508-04-02 P1000i**

Measured Sound Power Level: **67dB**

Guaranteed Sound Power Level: **67dB**

A copy of this certificate has been submitted to the European Commission and to EU Member State United Kingdom.

Place of Declaration: **Pembroke Dock, SA72 4RW**

Date: **01 March 2018**

Name: **Roland Llewellyn**

Signature:

Position in Company:

Name & address of manufacturer or  
Authorised representative **Managing Director**

*R Llewellyn*  
**Genpower Ltd, Isaac Way,  
Pembroke Dock, Pembrokeshire, SA72 4RW**

## 13. CONTACT DETAILS

9.0 POSTAL ADDRESS	Genpower Ltd, Isaac Way, London Road, Pembroke Dock, Pembrokeshire. SA72 4RW. UK.
9.1 TELEPHONE	+44 (0) 1646 687880
9.2 FAX	+44 (0) 0164 686198
9.3 WEBSITE	<a href="http://www.pipe.co.uk">www.pipe.co.uk</a>

## MANUAL UPDATES

- 10.0 Our manuals are constantly being reviewed and updated. However if you find an error, omission or something you find unclear, please contact your dealer for assistance.
- 10.1 Our latest manuals are also placed online.
- 10.2 We reserve the right to make any modifications without prior notice whenever necessary.

## 14. WARRANTY

- 11.0 To register your machine for the manufacturer's warranty, please visit:  
<http://www.p1pe.co.uk/warranty>











**P1PE – Position One Power Equipment**  
**Isaac Way, Pembroke Dock, Pembrokeshire,**  
**SA72 4RW**  
**[www.p1pe.co.uk](http://www.p1pe.co.uk)**