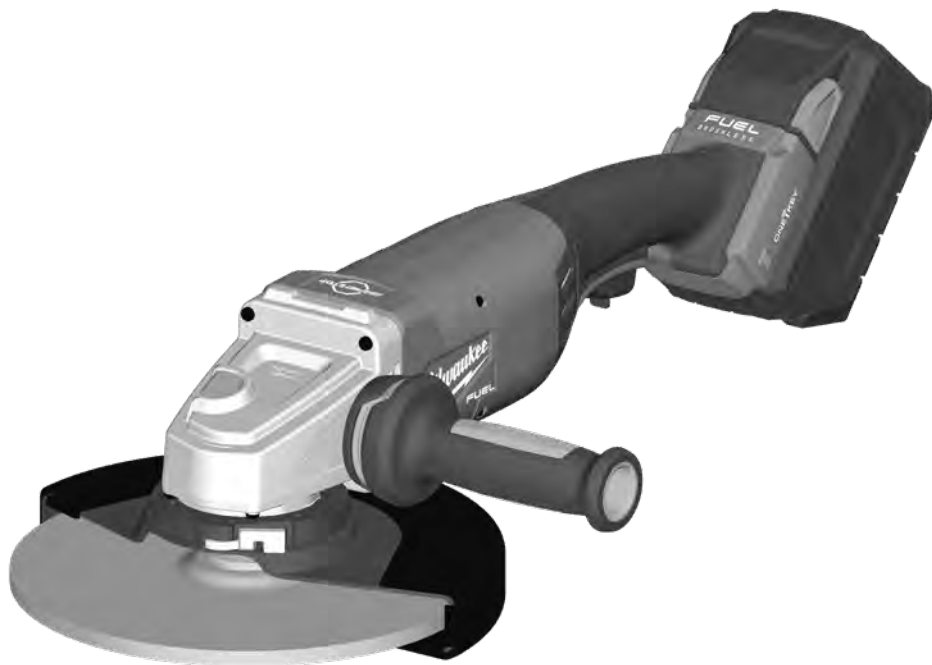


# Milwaukee®

Nothing but **HEAVY DUTY**®



## M18 ONEFLAG230XPDB

Original instructions

Originalbetriebsanleitung

Notice originale

Istruzioni originali

Manual original

Oorspronkelijke gebruiksaanwijzing

Original brugsanvisning

Original bruksanvisning

Bruksanvisning i original

Alkuperäiset ohjeet

Πρωτότυπο οδηγιών χρήσης

Orijinal işletme talimatı

Původním návodem k používání

Pôvodný návod na použitie

Instrukcją oryginalną

Eredeti használati utasítás

Izvirna navodila

Originalne pogonske upute

Instrukcijām oriģinālvadā

Originali instrukcija

Alguräðræne kasutusjuhend

Оригинальное руководство по эксплуатации

Оригинално ръководство за експлоатация

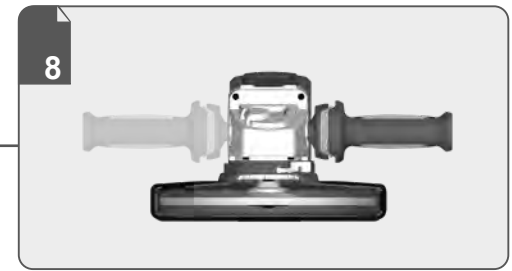
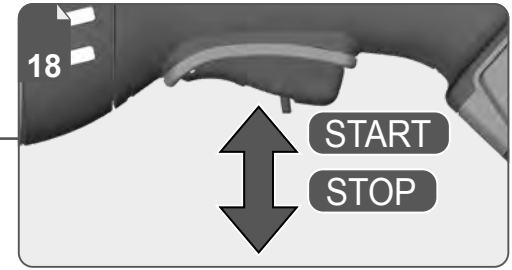
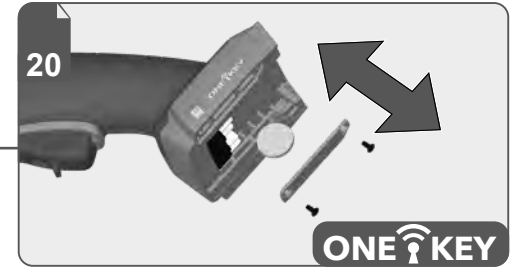
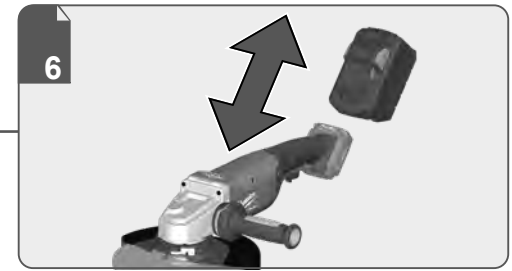
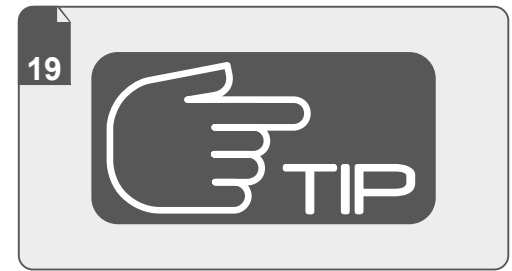
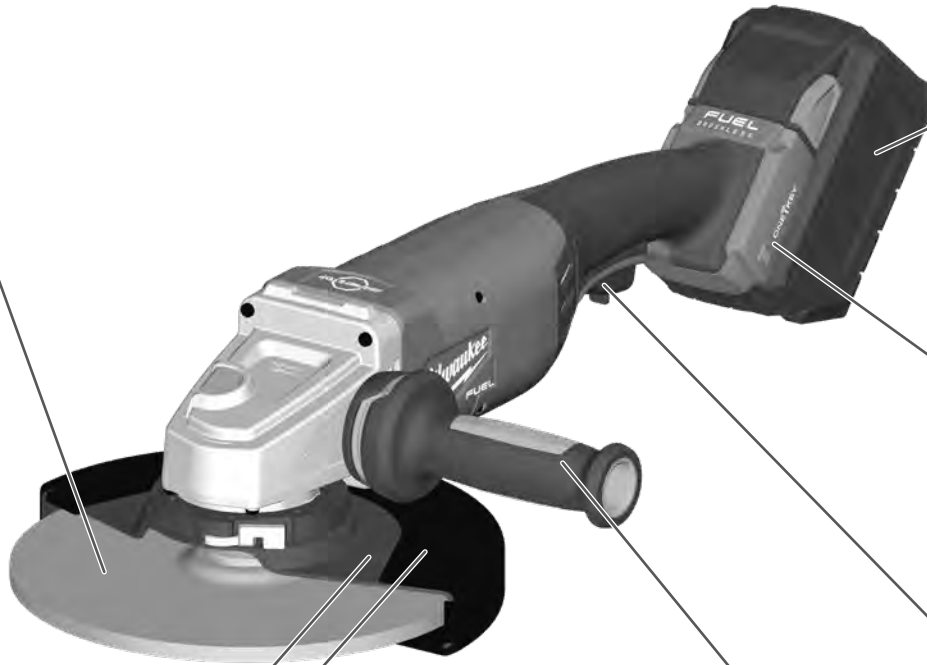
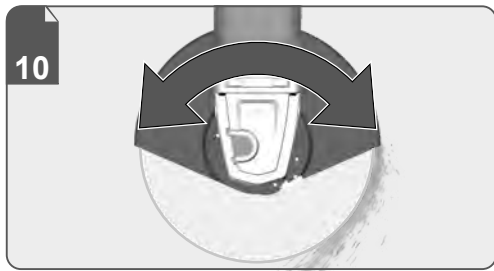
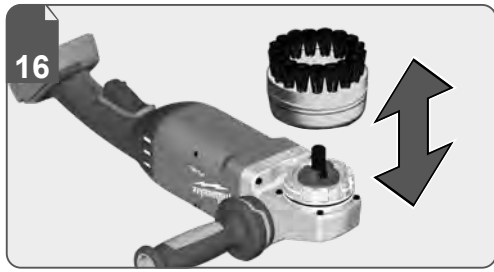
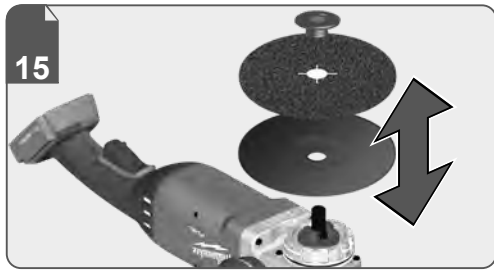
Instrucțiuni de folosire originale

Оригинален прирачник за работа

Оригінал інструкції з експлуатації

التعليمات الأصلية

<b>ENGLISH</b>	Picture section with operating description and functional description	Page	4	Text section with Technical Data, important Safety and Working Hints and description of Symbols	Page	21
<b>DEUTSCH</b>	Bildteil mit Anwendungs- und Funktionsbeschreibungen	Seite	4	Textteil mit Technischen Daten, wichtigen Sicherheits- und Arbeitshinweisen und Erklärung der Symbole.	Seite	26
<b>FRANÇAIS</b>	Partie imagée avec description des applications et des fonctions	Page	4	Partie textuelle avec les données techniques, les consignes importantes de sécurité et de travail ainsi que l'explication des pictogrammes.	Page	31
<b>ITALIANO</b>	Sezione illustrata con descrizione dell'applicazione e delle funzioni	Pagina	4	Sezione testo con dati tecnici, importanti informazioni sulla sicurezza e sull'utilizzo, spiegazione dei simboli.	Pagina	36
<b>ESPAÑOL</b>	Sección de ilustraciones con descripción de aplicación y descripción funcional	Página	4	Sección de texto con datos técnicos, indicaciones importantes de seguridad y trabajo y explicación de los símbolos.	Página	41
<b>PORTUGUES</b>	Parte com imagens explicativas contendo descrição operacional e funcional	Página	4	Parte com texto explicativo contendo Especificações técnicas, avisos de segurança e de operação e a descrição dos símbolos.	Página	46
<b>NEDERLANDS</b>	Beeldgedeelte met toepassings- en functiebeschrijvingen	Pagina	4	Tekstgedeelte met technische gegevens, belangrijke veiligheids- en arbeidsinstructies en verklaring van de symbolen.	Pagina	51
<b>DANSK</b>	Billeddel med anvendelses- og funktionsbeskrivelser	Side	4	Tekstdel med tekniske data, vigtige sikkerheds- og arbejdsanvisninger og symbolforklaring.	Side	56
<b>NORSK</b>	Billeddel med bruks- og funksjonsbeskrivelse	Side	4	Tekstdel med tekniske data, viktige sikkerhets- og arbeidsinstruksjoner og forklaring av symbolene.	Side	61
<b>SVENSKA</b>	Bilddel med användnings- och funktionsbeskrivning	Sidan	4	Textdel med tekniska informationer, viktiga säkerhets- och användningsinstruktioner samt symbolförklaringar.	Sidan	66
<b>SUOMI</b>	Kuvasivut käyttö- ja toimintakuvaus	Sivu	4	Tekstisivut: tekniset tiedot, tärkeät turvallisuus- ja työskentelyohjeet sekä merkkien selitykset.	Sivu	71
<b>ΕΛΛΗΝΙΚΑ</b>	Τμήμα εικόνων με περιγραφές χρήσης και λειτουργίας	Σελίδα	4	Τμήμα κειμένου με τεχνικά χαρακτηριστικά, σημαντικές υποδείξεις ασφαλείας και εργασίας και εξήγηση των συμβόλων.	Σελίδα	76
<b>TÜRKÇE</b>	Resim bölümü Uygulama ve fonksiyon açıklamaları ile birlikte	Sayfa	4	Teknik bilgileri, önemli güvenlik ve çalışma açıklamalarını ve de sembollerin açıklamalarını içeren metin bölümü.	Sayfa	81
<b>ČESKY</b>	Obrazová část s popisem aplikací a funkcí	Stránka	4	Textová část s technickými daty, důležitými bezpečnostními a pracovními pokyny a s vysvětlivkami symbolů	Stránka	86
<b>SLOVENSKY</b>	Obrazová časť s popisom aplikácií a funkcií	Stránka	4	Textová časť s technickými dátami, dôležitými bezpečnostnými a pracovnými pokynmi a s vysvetlivkami symbolov	Stránka	91
<b>POLSKI</b>	Część rysunkowa z opisami zastosowania i działania	Strona	4	Część opisowa z danymi technicznymi, ważnymi wskazówkami dotyczącymi bezpieczeństwa i pracy oraz objaśnieniami symboli.	Strona	96
<b>MAGYAR</b>	Képes részalkalmazási- és működési leírásokkal	Oldal	4	Szöveges rész műszaki adatokkal, fontos biztonsági- és munkavégzési útmutatásokkal, valamint a szimbólumok magyarázata.	Oldal	101
<b>SLOVENŠČINA</b>	Del slikez opisom uporabe in funkcij	Stran	4	Del besedila s tehničnimi podatki, pomembnimi varnostnimi opozorili in delovnimi navodili in pojasnili simbolov.	Stran	106
<b>HRVATSKI</b>	Dio sa slikamasa opisima primjene i funkcija	Stranica	4	Dio štiva sa tehničkim podacima, važnim sigurnosnim i radnim uputama i objašnjenjem simbola.	Stranica	111
<b>LATVISKI</b>	Attēla daļa ar lietošanas un funkciju aprakstiem	Lappuse	4	Teksta daļa ar tehniskajiem parametriem, svarīgiem drošības un darbības norādījumiem, simbolu atšifrējumiem.	Lappuse	116
<b>LIETUVIŠKAI</b>	Paveikslėlio dalis su vartojimo instrukcija ir funkcijų aprašymais	Puslapis	4	Teksto dalis su techniniais duomenimis, svarbiomis saugumo ir darbo instrukcijomis bei simbolių paaiškinimais.	Puslapis	121
<b>EESTI</b>	Pildiosa kasutusjuhendi ja funktsioonide kirjeldusega	Lehekülg	4	Tekstiosa tehniliste näitajate, oluliste ohutus- ja tööjuhenditega ning sümbolite kirjeldustega.	Lehekülg	126
<b>РУССКИЙ</b>	Раздел иллюстраций с описанием эксплуатации и функций	Страница	4	Текстовый раздел, включающий технические данные, важные рекомендации по безопасности и эксплуатации, а также описание используемых символов.	Страница	131
<b>БЪЛГАРСКИ</b>	Част със снимки с описание за приложение и функции	Страница	4	Част с текст с технически данни, важни указания за безопасност и работа и разяснение на символите.	Страница	136
<b>ROMÂNĂ</b>	Secvența de imagine cu descrierea utilizării și a funcționării	Pagina	4	Porțiune de text cu date tehnice, indicații importante privind siguranța și modul de lucru și descrierea simbolurilor.	Pagina	141
<b>МАКЕДОНСКИ</b>	Дел со сликисо описи за употреба и функционирање	Страница	4	Текстуален дел со Технички карактеристики, важни безбедносни и работни упатства и објаснување на симболите.	Страница	146
<b>УКРАЇНСЬКА</b>	Частина з зображеннями з описом робіт та функцій	Сторінка	4	Текстова частина з технічними даними, важливими вказівками з техніки безпеки та експлуатації і поясненням символів.	Сторінка	151
<b>عربي</b>	قسم الصور يوجد به الوصف التشغيلي والوظيفي	الصفحة	4	القسم النصي المزود بالبيانات الفنية والنصائح الهامة للسلامة والعمل ووصف الرموز	الصفحة	159





Remove the battery pack before starting any work on the machine.  
Vor allen Arbeiten an der Maschine den Wechselakku herausnehmen.

Avant tous travaux sur la machine retirer l'accu interchangeable.

Prima di iniziare togliere la batteria dalla macchina.

Retire la batería antes de comenzar cualquier trabajo en la máquina.

Antes de efectuar cualquier intervención na máquina retirar o bloco acumulador.

Voor alle werkzaamheden aan de machine de akku verwijderen.

Ved arbejde inden i maskinen, bør batteriet tages ud.

Ta ut vekslebatteriet før du arbeider på maskinen

Drag ur batteripaket innan arbete utföres på maskinen.

Tarkista pistotulppa ja verkkojohto mahdollisilta vaurioilta. Viat saa korjata vain alan erikoismies.

Πριν από κάθε εργασία στη μηχανή αφαιρέστε την ανταλλακτική μπαταρία.

Aletin kendinde bir çalışma yapmadan önce kartuş aküyü çıkarın.

Před zahájením veškerých prací na vrtacím šroubováku vyjmout výměnný akumulátor.

Pred každou pracou na stroji výměnný akumulátor vytiahnuť.

Przed przystąpieniem do jakichkolwiek prac na elektronarzędziu należy wyjąć wkładkę akumulatorową.

Karbantartás, javítás, tisztítás, stb. előtt az akkumulátort ki kell venni a készülékből.

Pred deli na stroju izvlecite izmenljivi akumulator.

Prije svih radova na stroju izvaditi bateriju za zamjenu.

Pirms mašīnai veikt jebkāda veida apkopes darbus, ir jāizņem ārā akumulators.

Prieš atlikdami bet kokius darbus įrenginyje, išimkite keičiamą akumuliatorių.

Enne kõiki töid masina kallal võtke vahetavat aku välja.

Выньте аккумулятор из машины перед проведением с ней каких-либо манипуляций.

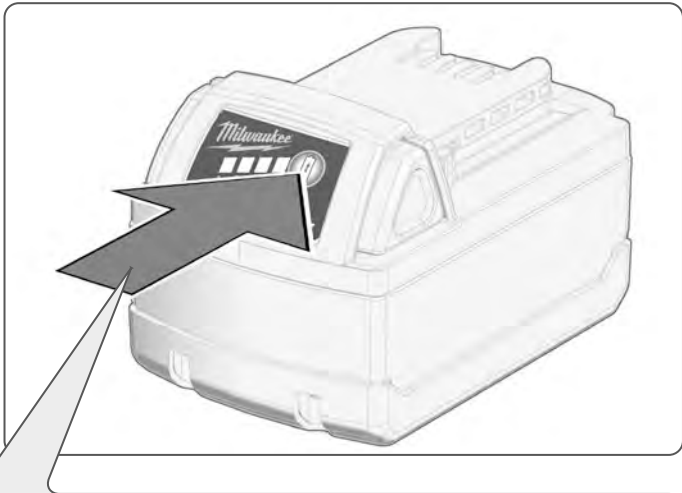
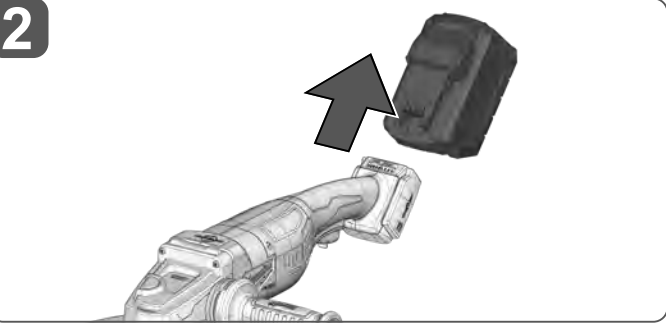
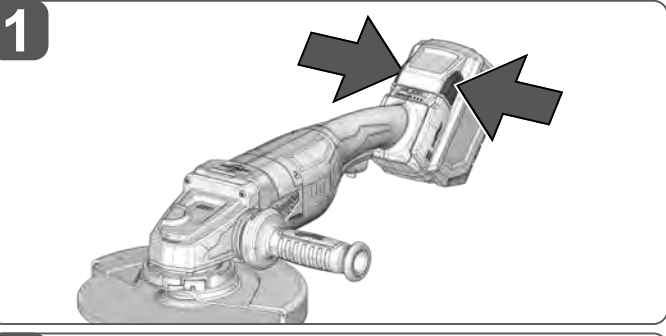
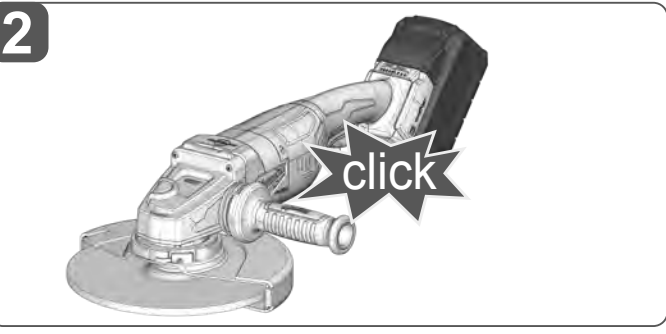
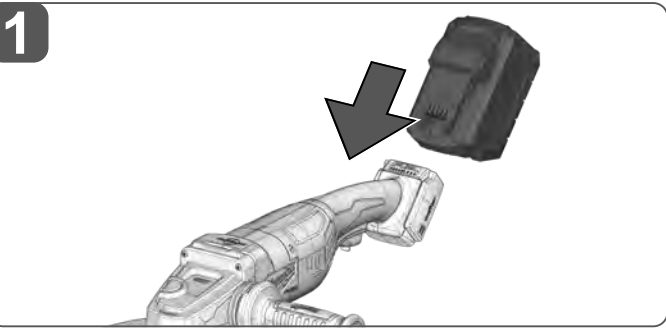
Преди започване на каквото е да е работи по машината извадете акумулатора.

Scoateți acumulatorul înainte de a începe orice intervenție pe mașină.

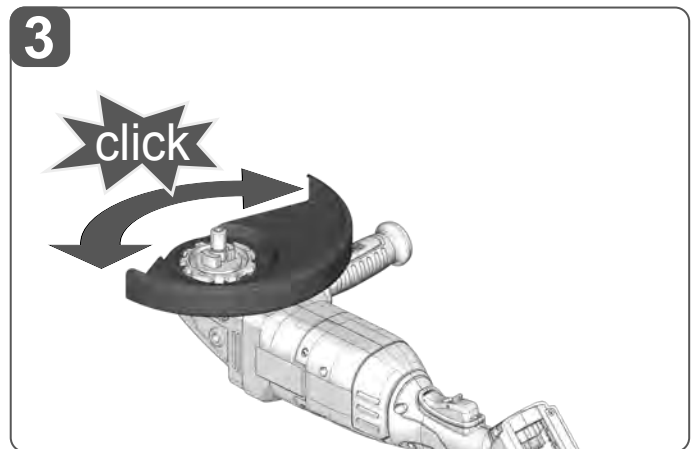
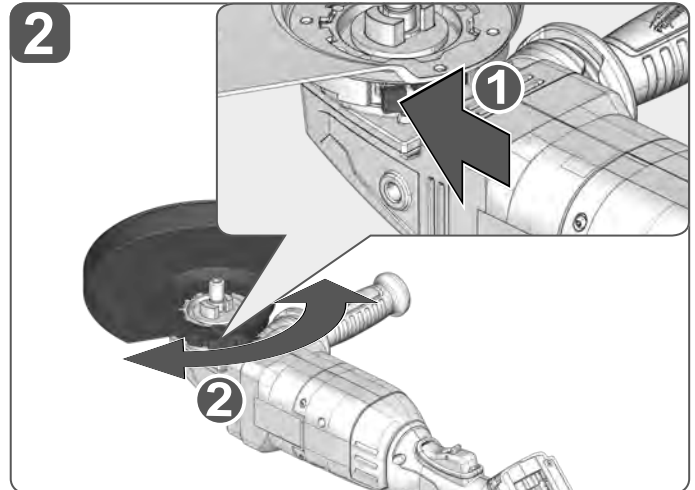
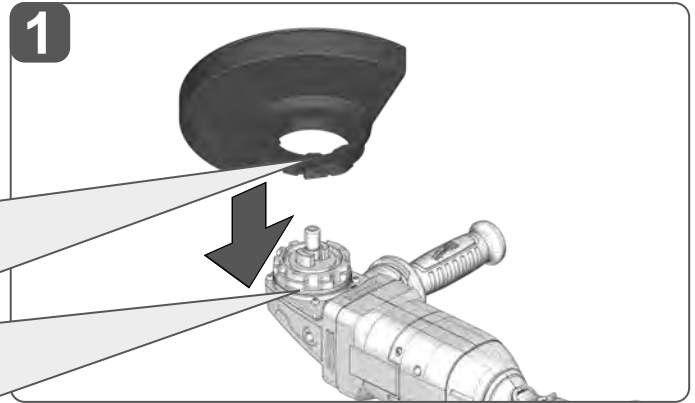
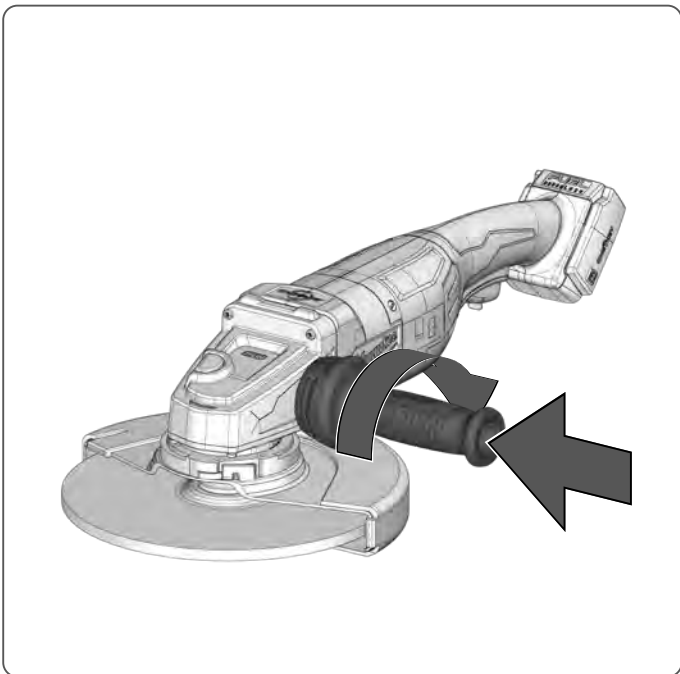
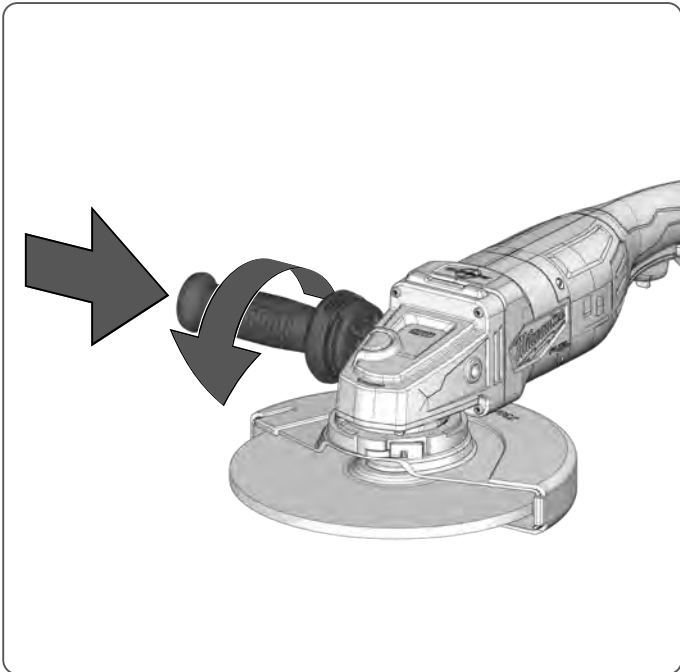
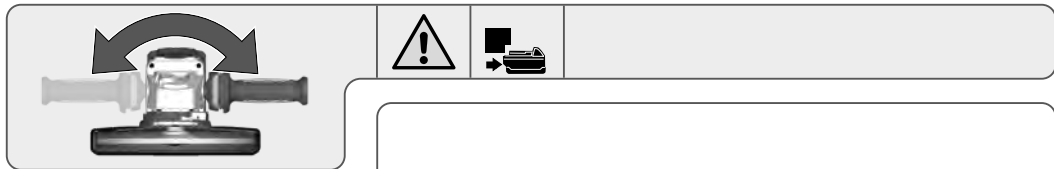
Отстранете ја батеријата пред да започнете да ја користите машината.

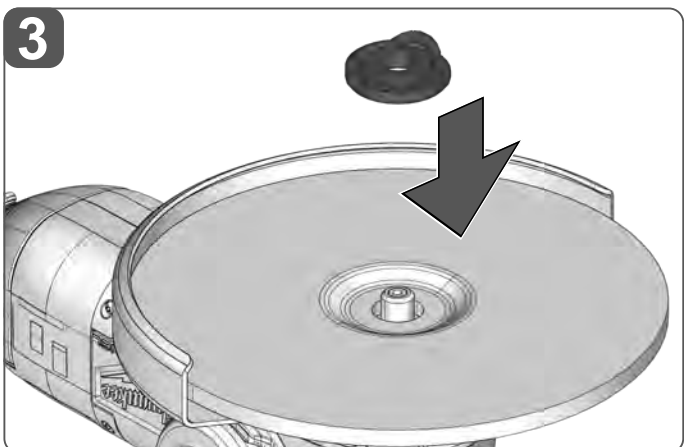
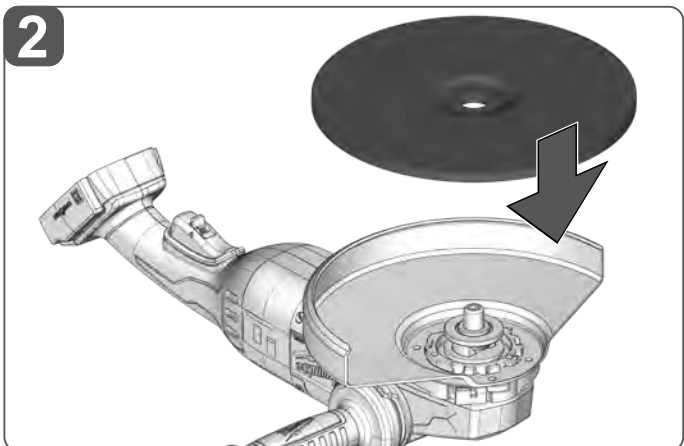
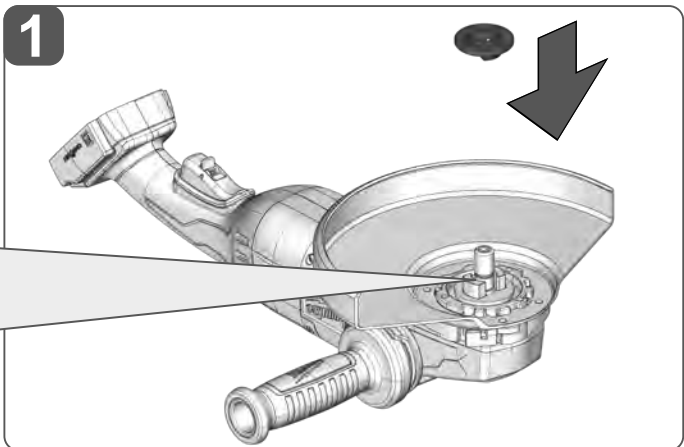
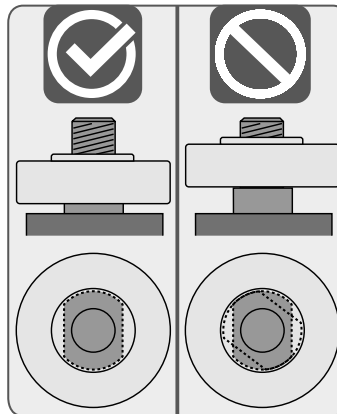
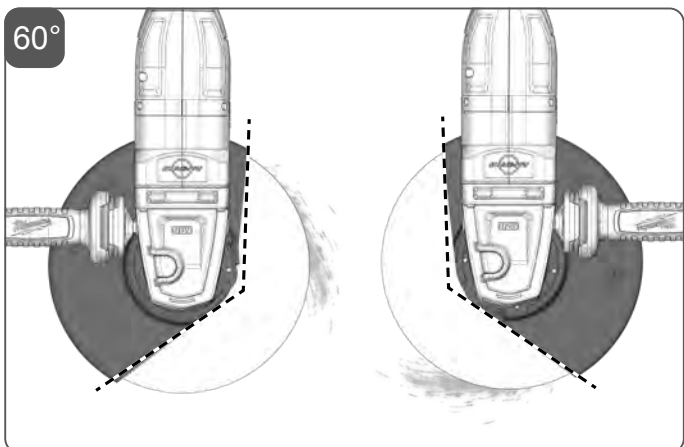
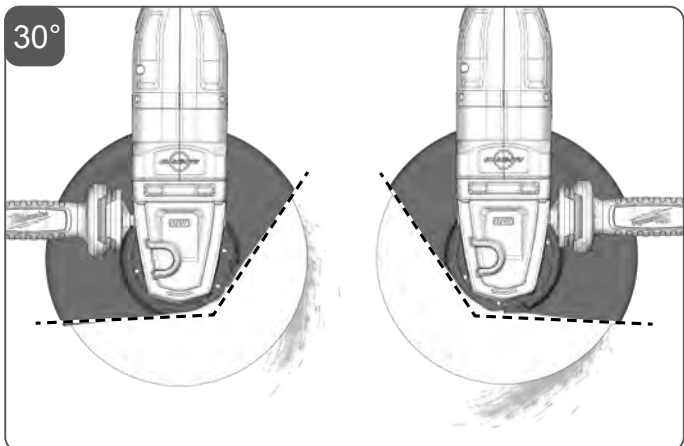
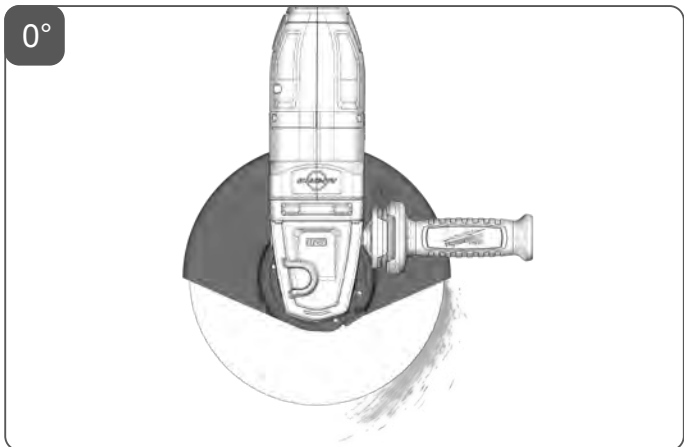
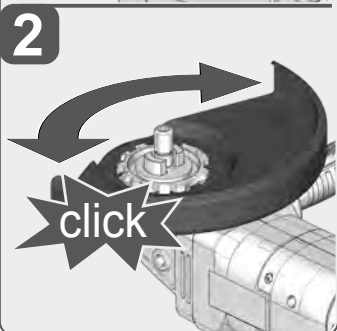
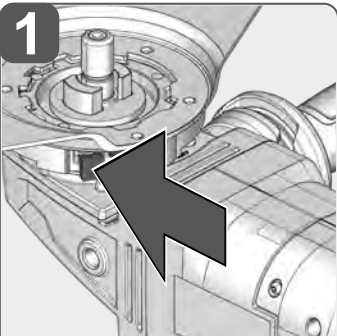
Перед будь-якими роботами на машині ви́няти змінну акумуляторну батарею.

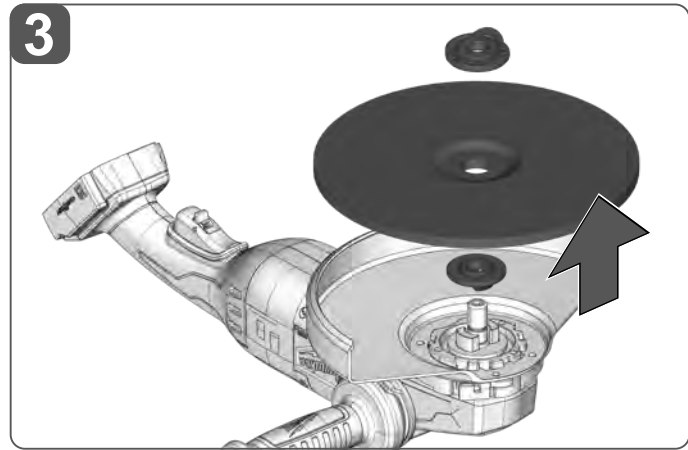
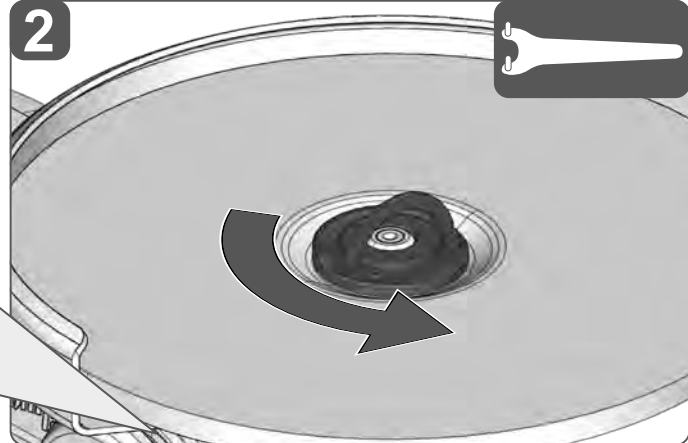
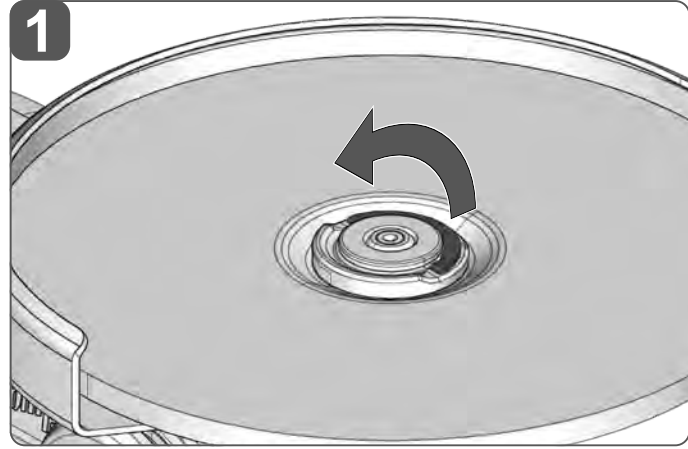
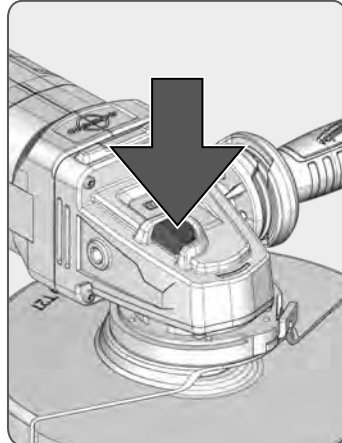
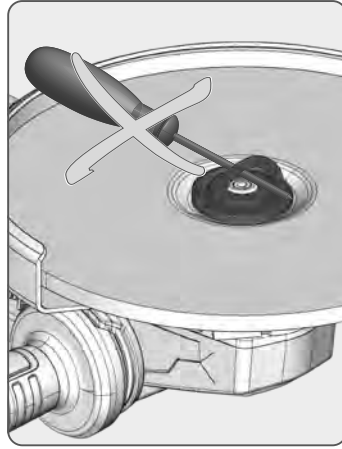
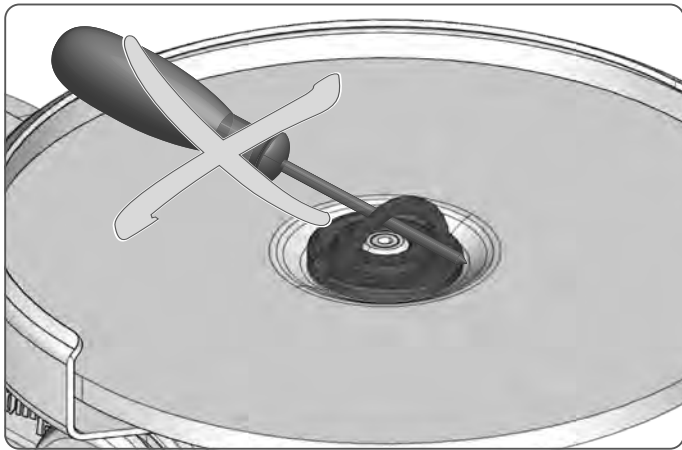
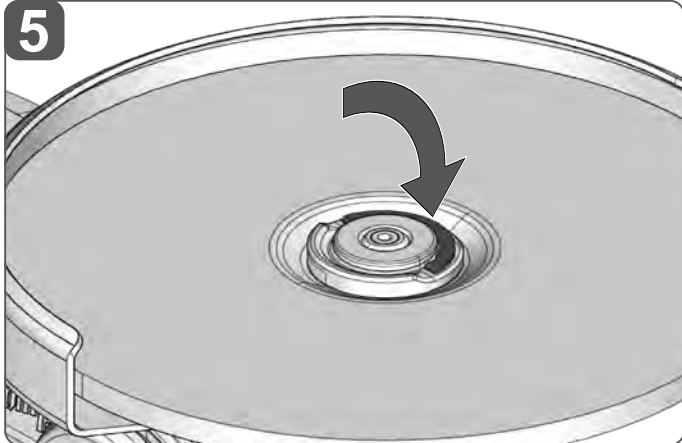
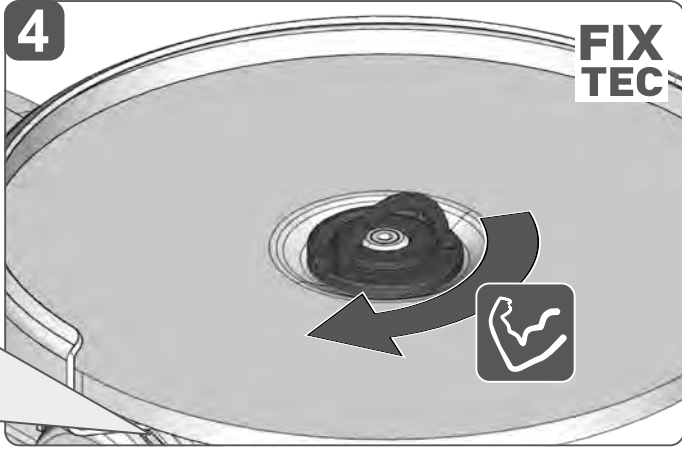
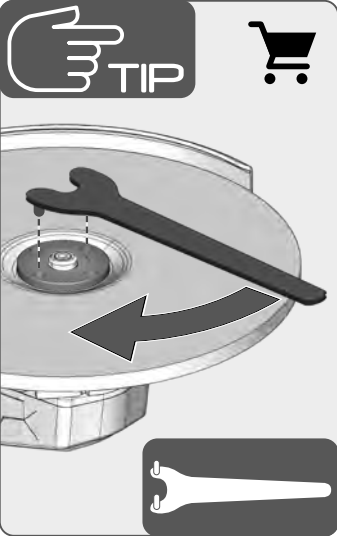
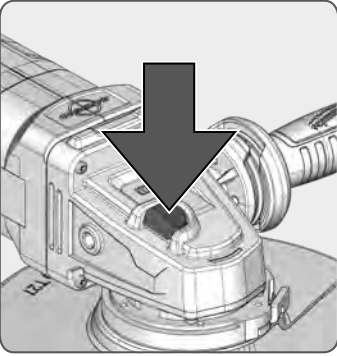
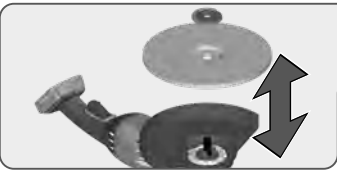
قم ب إزالة حزمة البطارية قبل البدء في أي أعمال على الجهاز.

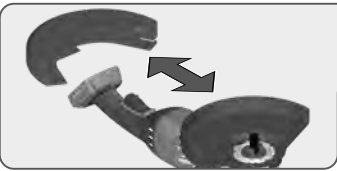


	75-100 %
	50-75 %
	25-50 %
	10-25 %
	< 10 %

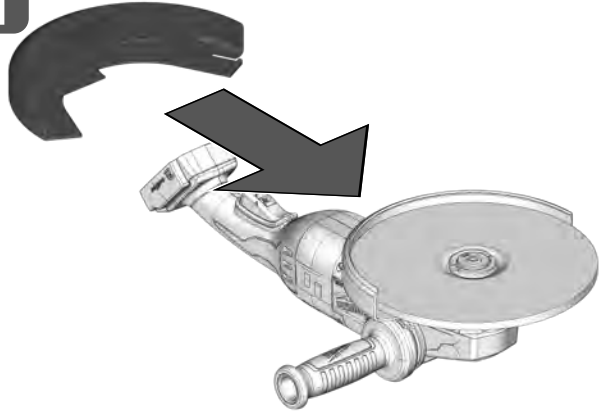




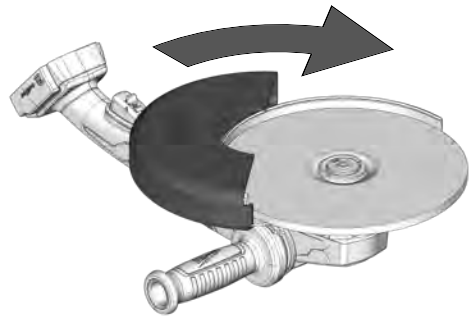




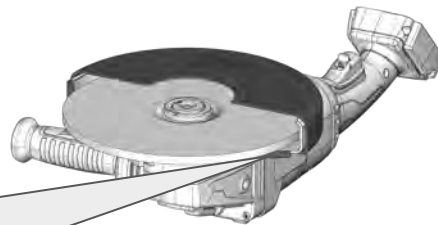
1



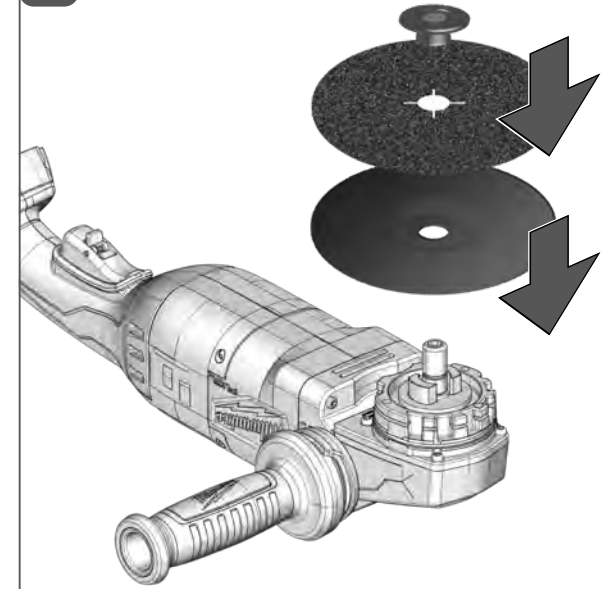
2



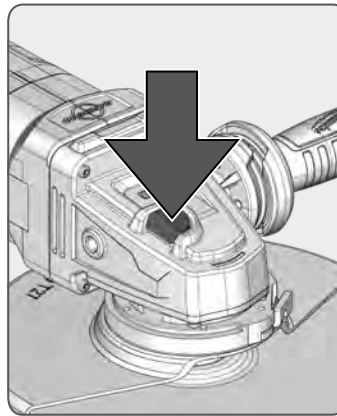
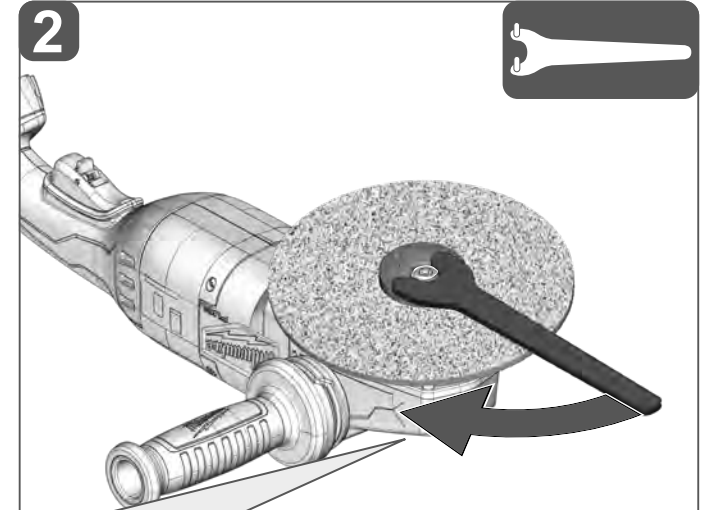
3



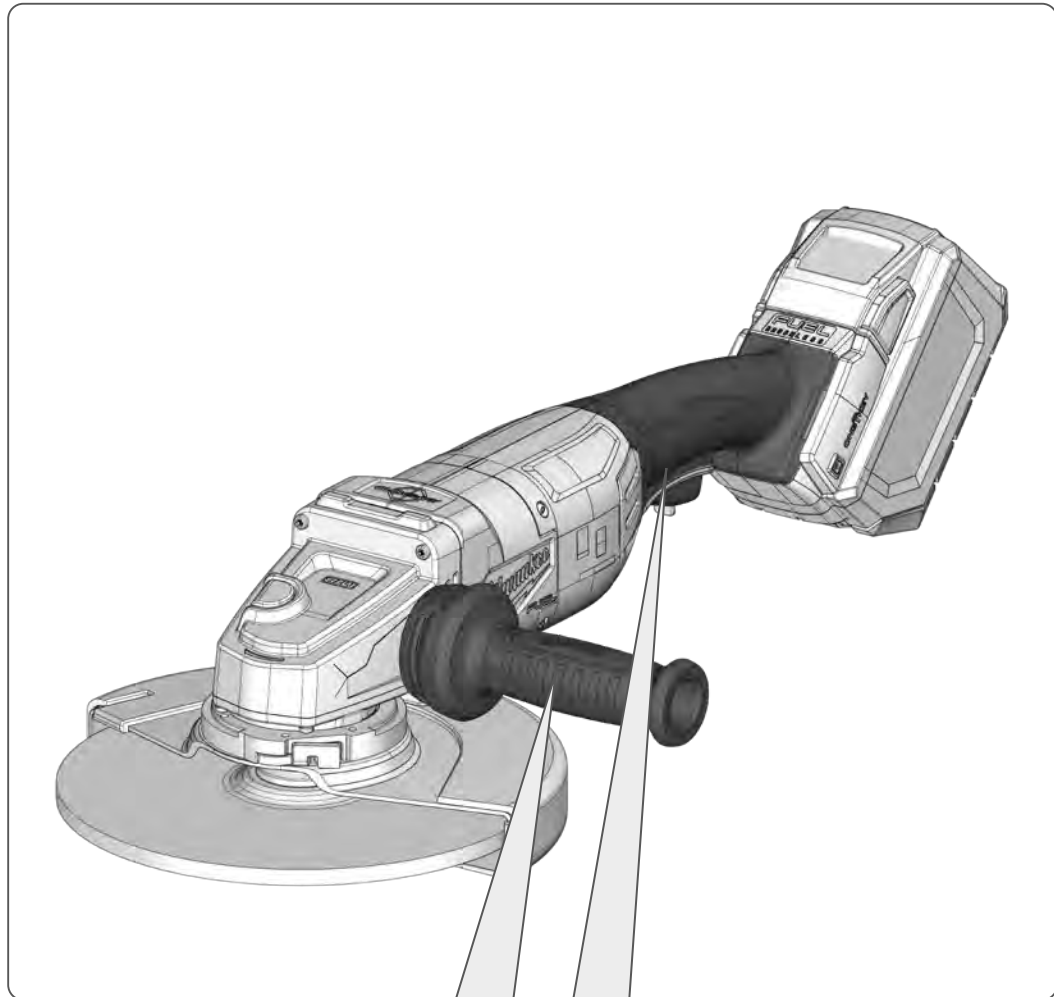
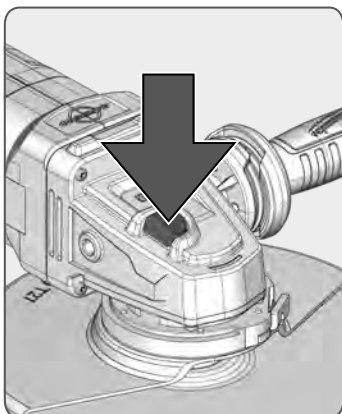
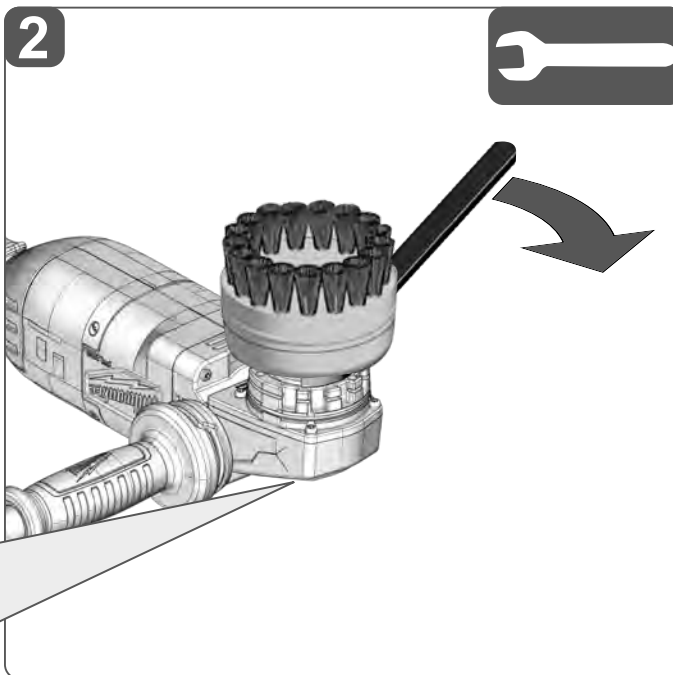
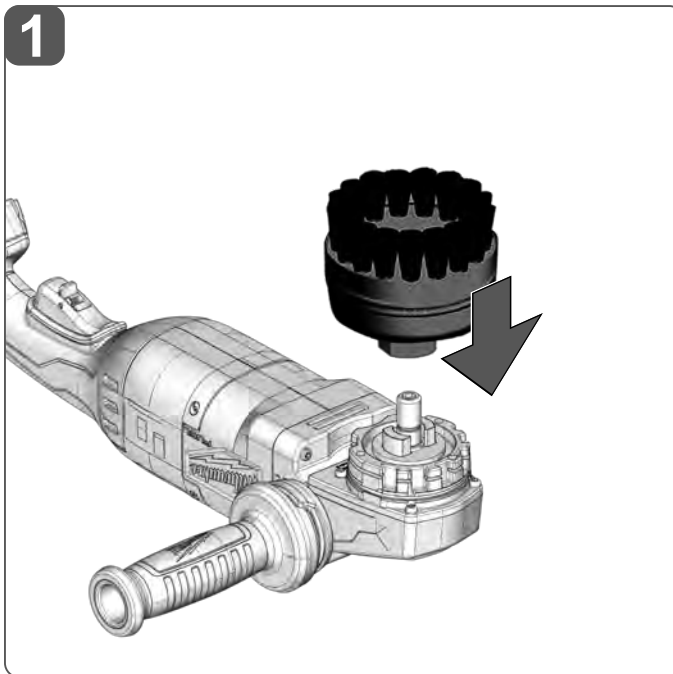
1



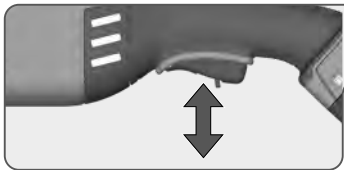
2



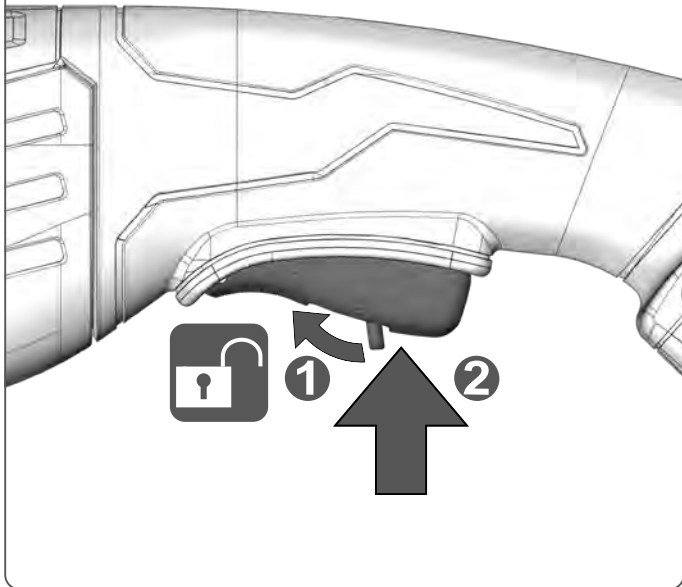




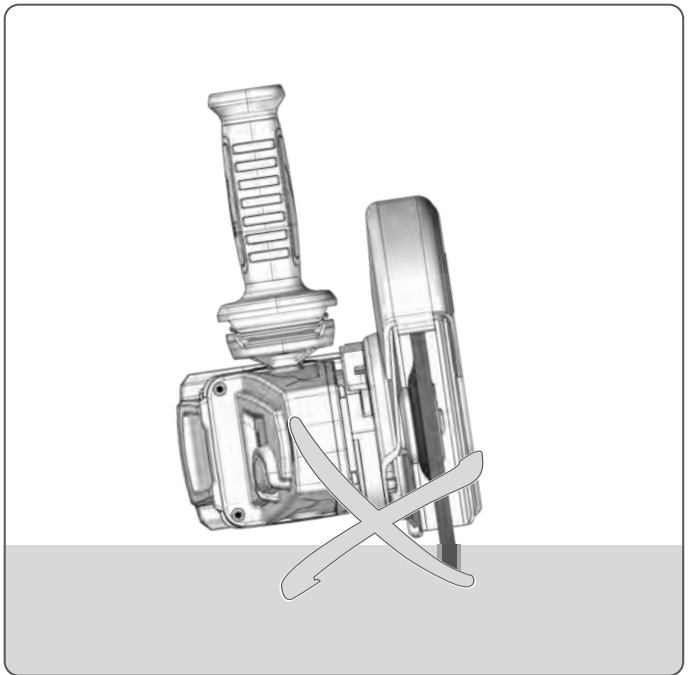
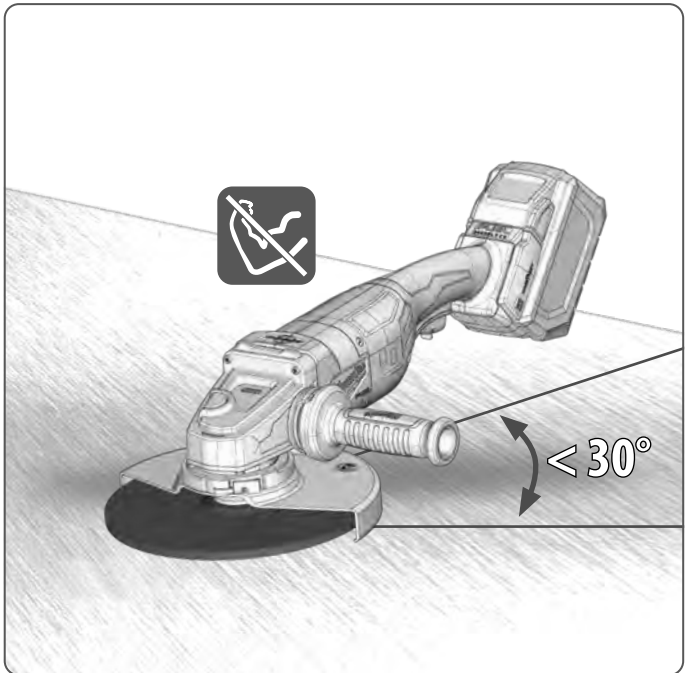
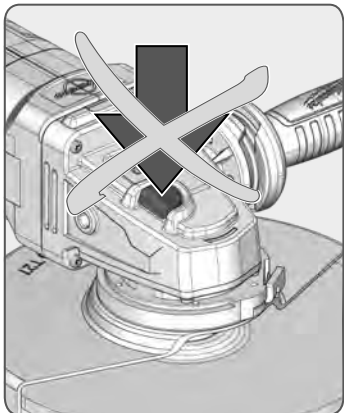
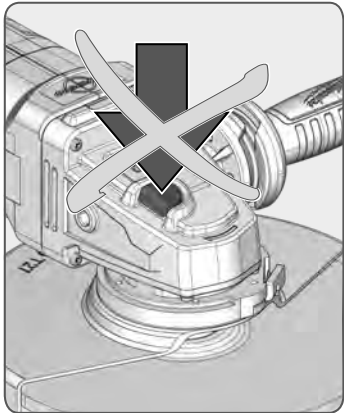
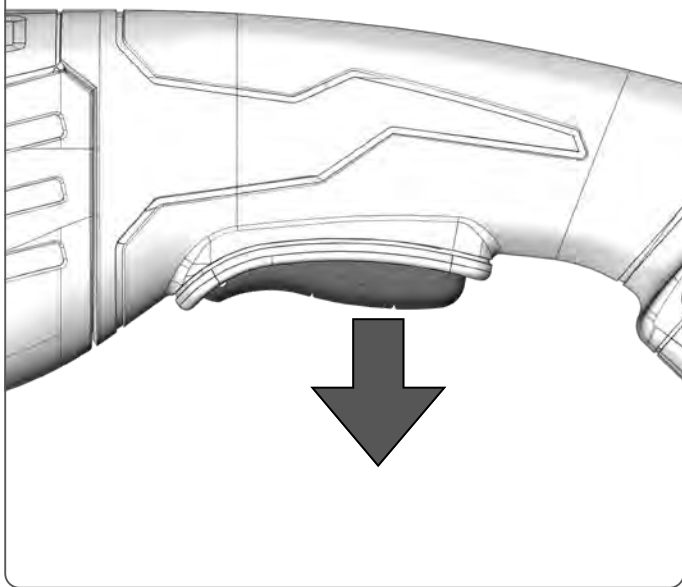
Insulated gripping surface	İzolasyonlu tutma yüzeyi	Suprafață de prindere izolată
Isolierte Grifffläche	Izolovaná uchopovací plocha	Изолирана површина на дршката
Surface de prise isolée	Izolovaná úchopná plocha	Изолирована поверхность ручки
Superficie di presa isolata	Izolowana powierzchnia uchwytu	مساحة المقبض معزولة
Superficie de agarre con aislamiento	Szigetelt fogófelület	
Superficie de pega isolada	Izolirana prijemalna površina	
Geïsoleerde handgrepen	Izolirana površina za držanje	
Isolerede gribeflader	Izolēta satveršanas virsma	
Isolert gripeflate	Izoliuotas rankenos paviršius	
Isolerad greppyta	Isoleeritud pideme piirkond	
Eristetty tarttumapinta	Изолированная поверхность ручки	
Μονωμένη επιφάνεια λαβής	Изолирана повърхност за хващане	

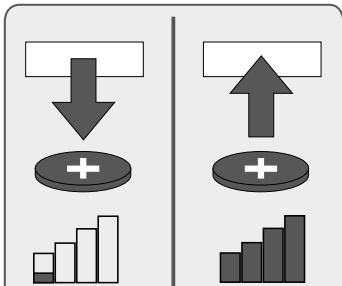
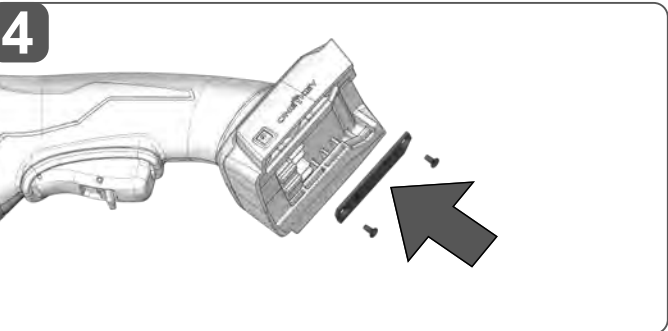
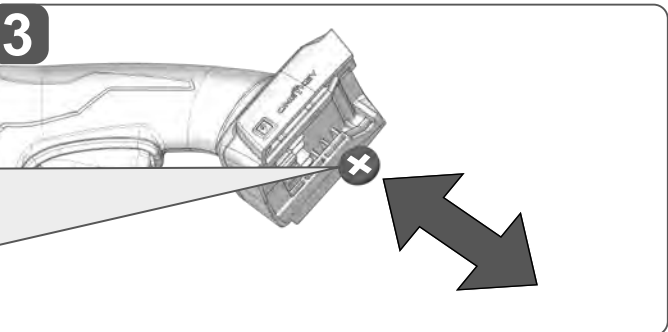
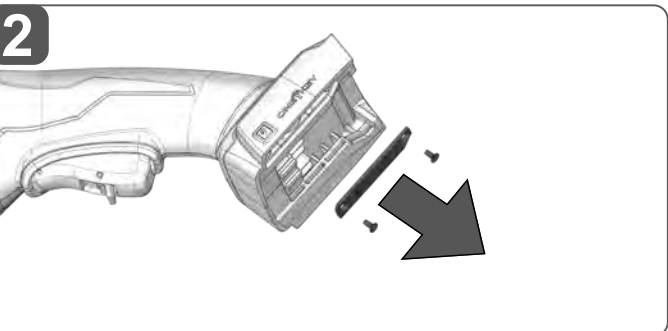
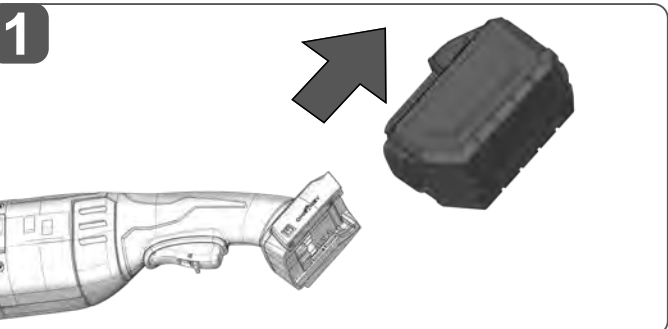


### START



### STOP





3V CR2032  
Coin Cell  
Knopfzelle  
Batterie bouton  
Bateria a bottone  
Célula de botón  
Knopfzelle  
Knoopcel  
Knapcelle  
Knappcelle  
Knappcell  
Nappiparisto  
Κερματοειδής μπαταρία  
Düğme pil  
Knoflíkový akumulátor  
Gombíkový akumulátor  
Ogniwo guzikowe  
Gombelem  
Gumbasta baterija  
Čelija  
Podziņelements  
Diskinis galvaninis elementas  
Nööpelement  
Миниатюрный элемент питания  
Глоска батерия  
Baterie tip nasture  
Батерија тип копче  
Мініатюрний елемент живлення  
بطارية كالمزر

#### TECHNICAL DATA

#### M18 ONEFLAG230XPDB

Type	Cordless Angle Grinder
Production code	4835 68 01 XXXXXX MJJJJ
Battery voltage	18 V $\approx$
Frequency band(s) of Bluetooth	2400 - 2483,5 MHz
Radio-frequency power	2 dBm
Bluetooth version	4.2 BT signal mode
Rated speed	6600 min <sup>-1</sup>
Thread of work spindle	M14
D=Grinding disc diameter max.	230 mm
d=Grinding disc hole diameter	22,2 mm

b=Grinding disc thickness max.	8 mm
--------------------------------	------

b=Cutting disc thickness max. / min.	3 mm / 1,9 mm
--------------------------------------	---------------

D=Sanding disc diameter max.	230 mm
------------------------------	--------

D=Wiring brush diameter max.	100 mm
------------------------------	--------

Weight according EPTA-Procedure 01/2014 (Li-Ion 2,0 Ah ... 12,0 Ah)	4,2 ... 5,4 kg
--	----------------

Recommended Ambient Operating Temperature	-18 ... +50 °C
---	----------------

Recommended battery types	M18B...; M18HB...
---------------------------	-------------------

Recommended charger	M12-18...; M1418C6
---------------------	--------------------

**Noise information:** Measured values determined according to EN 60745.

Typically, the A-weighted noise levels of the tool are:

Sound pressure level / Uncertainty K	88,4 dB (A) / 3 dB (A)
Sound power level / Uncertainty K	99,4 dB (A) / 3 dB (A)

#### Wear ear protectors!

**Vibration information:** Vibration total values (triaxial vector sum) determined according to EN 60745

Vibration emission value  $a_h$  / Uncertainty K

Surface grinding	5,5 m/s <sup>2</sup> / 1,5 m/s <sup>2</sup>
Disc sanding	3,2 m/s <sup>2</sup> / 1,5 m/s <sup>2</sup>

For other applications, e.g. Abrasive Cutting-Off Operations or Wire Brushing other vibration values could occur.

#### ⚠ WARNING!

The vibration and noise emission level given in this information sheet has been measured in accordance with a standardized test given in EN 60745 and may be used to compare one tool with another. It may be used for a preliminary assessment of exposure.

The declared vibration and noise emission level represents the main applications of the tool. However if the tool is used for different applications, with different accessories or poorly maintained, the vibration and noise emission may differ. This may significantly increase the exposure level over the total working period.

An estimation of the level of exposure to vibration and noise should also take into account the times when the tool is switched off or when it is running but not actually doing the job. This may significantly reduce the exposure level over the total working period.

Identify additional safety measures to protect the operator from the effects of vibration and/or noise such as: maintain the tool and the accessories, keep the hands warm, organization of work patterns.

**⚠ WARNING!** Read all safety warnings and all instructions. Failure to follow the warnings and instructions may result in electric shock, fire and/or serious injury.

Save all warnings and instructions for future reference.

#### ANGLE GRINDER SAFETY WARNINGS

**Safety Warnings Common for Grinding, Sanding, Wire Brushing or Abrasive Cutting-Off Operations:**

a) This power tool is intended to function as a grinder, sander, wire brush or cut-off tool. Read all safety warnings, instructions, illustrations and specifications provided with this power tool. Failure to follow all instructions listed below may result in electric shock, fire and/or serious injury.

b) Operations such as polishing are not recommended to be performed with this power tool. Operations for which the power tool was not designed may create a hazard and cause personal injury.

c) Do not use accessories which are not specifically designed and recommended by the tool manufacturer. Just because the accessory can be attached to your power tool, it does not assure safe operation.

d) The rated speed of the accessory must be at least equal to the maximum speed marked on the power tool. Accessories running faster than their rated speed can break and fly apart.

e) The outside diameter and the thickness of your accessory must be within the capacity rating of your power tool. Incorrectly sized accessories cannot be adequately guarded or controlled.

f) Threaded mounting of accessories must match the grinder spindle thread. For accessories mounted by flanges, the arbour hole of the accessory must fit the locating diameter of the flange. Accessories that do not match the mounting hardware of the power tool will run out of balance, vibrate excessively and may cause loss of control.

g) Do not use a damaged accessory. Before each use inspect the accessory such as abrasive wheels for chips and cracks, backing pad for cracks, tear or excess wear, wire brush for loose or cracked wires. If power tool or accessory is dropped, inspect for damage or install an undamaged accessory. After inspecting and installing an accessory, position yourself and bystanders away from the plane of the rotating accessory and run the power tool at maximum no-load speed for one minute. Damaged accessories will normally break apart during this test time.

h) Wear personal protective equipment. Depending on application, use face shield, safety goggles or safety glasses. As appropriate, wear dust mask, hearing protectors, gloves and workshop apron capable of stopping small abrasive or workpiece fragments. The eye protection must be capable of stopping flying debris generated by various operations. The dust mask or respirator must be capable of filtering particles generated by your operation. Prolonged exposure to high intensity noise may cause hearing loss.

i) Keep bystanders a safe distance away from work area. Anyone entering the work area must wear personal protective equipment. Fragments of workpiece or of a broken accessory may fly away and cause injury beyond immediate area of operation.

j) Hold the power tool by insulated gripping surfaces only, when performing an operation where the cutting accessory may contact hidden wiring. Cutting accessory contacting a "live" wire may make exposed metal parts of the power tool "live" and could give the operator an electric shock.

k) Never lay the power tool down until the accessory has come to a complete stop. The spinning accessory may grab the surface and pull the power tool out of your control.

l) Do not run the power tool while carrying it at your side. Accidental contact with the spinning accessory could snag your clothing, pulling the accessory into your body.

m) Regularly clean the power tool's air vents. The motor's fan will draw the dust inside the housing and excessive accumulation of powdered metal may cause electrical hazards.

n) Do not operate the power tool near flammable materials. Sparks could ignite these materials.

o) Do not use accessories that require liquid coolants. Using water or other liquid coolants may result in electrocution or shock.

#### Kickback and Related Warnings

Kickback is a sudden reaction to a pinched or snagged rotating wheel, backing pad, brush or any other accessory. Pinching or snagging causes rapid stalling of the rotating accessory which in turn causes the uncontrolled power tool to be forced in the direction opposite of the accessory's rotation at the point of the binding.

For example, if an abrasive wheel is snagged or pinched by the workpiece, the edge of the wheel that is entering into the pinch point can dig into the surface of the material causing the wheel to climb out or kick out. The wheel may either jump toward or away from the operator, depending on direction of the wheel's movement at the point of pinching. Abrasive wheels may also break under these conditions.

Kickback is the result of power tool misuse and/or incorrect operating procedures or conditions and can be avoided by taking proper precautions as given below.

a) Maintain a firm grip on the power tool and position your body and arm to allow you to resist kickback forces. Always use auxiliary handle, if provided, for maximum control over kickback or torque reaction during start-up. The operator can control torque reactions or kickback forces, if proper precautions are taken.

b) Never place your hand near the rotating accessory. Accessory may kickback over your hand.

c) Do not position your body in the area where power tool will move if kickback occurs. Kickback will propel the tool in direction opposite to the wheel's movement at the point of snagging.

d) Use special care when working corners, sharp edges etc. Avoid bouncing and snagging the accessory. Corners, sharp edges or bouncing have a tendency to snag the rotating accessory and cause loss of control or kickback.

e) Do not attach a saw chain woodcarving blade or toothed saw blade. Such blades create frequent kickback and loss of control.

#### Safety Warnings Specific for Grinding and Abrasive Cutting-Off Operations:

a) Use only wheel types that are recommended for your power tool and the specific guard designed for the selected wheel. Wheels for which the power tool was not designed cannot be adequately guarded and are unsafe.

b) The grinding surface of the centre depressed wheels must be mounted below the plane of the guard lip. An improperly mounted wheel that projects through the plane of the guard lip cannot be adequately protected.

c) The guard must be securely attached to the power tool and positioned for maximum safety, so the least amount of wheel is exposed towards the operator. The guard helps to protect the operator from broken wheel fragments, accidental contact with wheel and sparks that could ignite clothing.

d) Wheels must be used only for recommended applications. For example: do not grind with the side of cut-off wheel. Abrasive cut-off wheels are intended for peripheral grinding, side forces applied to these wheels may cause them to shatter.

e) Always use undamaged wheel flanges that are of correct size and shape for your selected wheel. Proper wheel flanges support the wheel thus reducing the possibility of wheel breakage. Flanges for cut-off wheels may be different from grinding wheel flanges.

f) Do not use worn down wheels from larger power tools. Wheel intended for larger power tool is not suitable for the higher speed of a smaller tool and may burst.

#### Additional Safety Warnings Specific for Abrasive Cutting-Off Operations:

a) Do not "jam" the cut-off wheel or apply excessive pressure. Do not attempt to make an excessive depth of cut. Overstressing the wheel increases the loading and susceptibility to twisting or binding of the wheel in the cut and the possibility of kickback or wheel breakage.

b) Do not position your body in line with and behind the rotating wheel. When the wheel, at the point of operation, is moving away from your body, the possible kickback may propel the spinning wheel and the power tool directly at you.

c) When wheel is binding or when interrupting a cut for any reason, switch off the power tool and hold the power tool motionless until the wheel comes to a complete stop. Never attempt to remove the cut-off wheel from the cut while the wheel is in motion otherwise kickback may occur. Investigate and take corrective action to eliminate the cause of wheel binding.

d) Do not restart the cutting operation in the workpiece. Let the wheel reach full speed and carefully re-enter the cut. The wheel may bind, walk up or kickback if the power tool is restarted in the workpiece.

e) Support panels or any oversized workpiece to minimize the risk of wheel pinching and kickback. Large workpieces tend to sag under their own weight. Supports must be placed under the workpiece near the line of cut and near the edge of the workpiece on both sides of the wheel.

f) Use extra caution when making a "pocket cut" into existing walls or other blind areas. The protruding wheel may cut gas or water pipes, electrical wiring or objects that can cause kickback.

#### Safety Warnings Specific for Sanding Operations:

a) Do not use excessively oversized sanding disc paper. Follow manufacturers recommendations, when selecting sanding paper. Larger sanding paper extending beyond the sanding pad presents a laceration hazard and may cause snagging, tearing of the disc or kickback.

#### Safety Warnings Specific for Wire Brushing Operations:

a) Be aware that wire bristles are thrown by the brush even during ordinary operation. Do not overstress the wires by applying excessive load to the brush. The wire bristles can easily penetrate light clothing and/or skin.

b) If the use of a guard is recommended for wire brushing, do not allow any interference of the wire wheel or brush with the guard. Wire wheel or brush may expand in diameter due to work load and centrifugal forces.

#### ADDITIONAL SAFETY AND WORKING INSTRUCTIONS

Always check if the spindle lock button is fully released before switching on the tool! After using the spindle lock to tighten / loosen the abrasive disc, it is possible that the button may stick in the lock position.

When grinding metal, flying sparks are produced. Take care that no persons are endangered. Because of the danger of fire, no combustible materials should be located in the vicinity (spark flight zone). Do not use dust extraction.

Avoid flying sparks and sanding dust hit your body.

Never reach into the danger area of the machine when it is running. Chips and splinters must not be removed while the machine is running.

Immediately switch off the machine in case of considerable vibrations or if other malfunctions occur. Check the machine in order to find out the cause.

Under extreme conditions (e.g. smooth-grinding metals with the arbour and vulcanized fibre grinding wheel), significant contamination can build up on the inside of the die grinder.

Do not let any metal parts enter the airing slots - danger of short circuit!

WARNING! Danger of burns! The wheel and workpiece will become hot during use. Wear gloves when changing discs or touching workpiece. Keep hands away from the grinding area at all times.

WARNING! To reduce the risk of fire, personal injury, and product damage due to a short circuit, never immerse your tool, battery pack or charger in fluid or allow a fluid to flow inside them. Corrosive or conductive fluids, such as seawater, certain industrial chemicals, and bleach or bleach containing products, etc., can cause a short circuit.

Never break open battery packs and chargers and store only in dry rooms. Keep dry at all times.

Use only System M18 chargers for charging System M18 battery packs. Do not use battery packs from other systems.



WARNING! This device contains a button-type/coin cell lithium battery. A new or used battery can cause severe internal burns and lead to death in as little as 2 hours if swallowed or if it enters the body. Always secure the cover on the battery compartment. If it does not close securely, stop the device, remove the battery and keep it out of reach of children. If you believe that someone has swallowed the battery or that it has otherwise entered the body, seek immediate medical attention.

#### SPECIFIED CONDITIONS OF USE

The angle grinder is intended for grinding and cutting metal, stone, concrete and ceramic materials as well as sanding and wire brushing.

Use the cutting guard from the accessories range for cutting application.

Please refer to the instructions supplied by the accessory manufacturer.

The machine is suitable only for working without water.

Only appropriate grinding or cutting discs and related guards (grinding guard or cutting guard) as described in the product specification section of this manual should be fitted to the angle grinder. The angle grinder is designed for handheld use; it is not to be mounted onto a fixture or workbench.

Do not use the product in any way other than those stated for intended use.

#### RESIDUAL RISK

Even when the product is used as prescribed, it is still impossible to completely eliminate certain residual risk factors. The following hazards may arise in use and the operator should pay special attention to avoid the following:

- Injury caused by vibration. Hold the product by designated handles and restrict working time and exposure.
- Exposure to noise can cause hearing injury. Wear ear protection and limit exposure.
- Injury due to flying debris. Wear eye protection, heavy long trousers, gloves and substantial footwear at all times.
- Inhalation of toxic dusts.

#### NOTES FOR LI-ION BATTERIES

##### Use of Li-Ion batteries

Battery packs which have not been used for some time should be recharged before use.

Temperatures in excess of 50°C (122°F) reduce the performance of the battery pack. Avoid extended exposure to heat or sunshine (risk of overheating).

The contacts of chargers and battery packs must be kept clean. For an optimum life-time, the battery packs have to be fully charged, after use.

To obtain the longest possible battery life remove the battery pack from the charger once it is fully charged.

For battery pack storage longer than 30 days:

Store the battery pack where the temperature is below 27°C and away from moisture. Store the battery packs in a 30% - 50% charged condition. Every six months of storage, charge the pack as normal.

##### Battery protection for Li-Ion batteries

In extremely high torque, binding, stalling and short circuit situations that cause high current draw, the tool will vibrate for about 5 seconds, the fuel gauge will flash, and then the tool will turn OFF.

To reset, release the trigger. Under extreme circumstances, the internal temperature of the battery pack could raise too much. If this happens, the fuel gauge will flash until the battery pack cooled down. After the lights go off, the work may continue.

##### Transporting Lithium Batteries

Lithium-ion batteries are subject to the Dangerous Goods Legislation requirements.

Transportation of those batteries has to be done in accordance with local, national and international provisions and regulations.

The user can transport the batteries by road without further requirements.

Commercial transport of Lithium-Ion batteries by third parties is subject to Dangerous Goods regulations. Transport preparation and transport are exclusively to be carried out by appropriately trained persons and the process has to be accompanied by corresponding experts.

#### When transporting batteries:

Ensure that battery contact terminals are protected and insulated to prevent short circuit.

Ensure that battery pack is secured against movement within packaging. Do not transport batteries that are cracked or leak. Check with forwarding company for further advice.

#### WORKING INSTRUCTIONS

For accessories intended to be fitted with threaded hole wheel, ensure that the thread in the wheel is long enough to accept the spindle length.

Always use and store the cutting and grinding wheels according to the manufacturer's instructions.

Always use the correct guard for cutting and grinding.

The grinding surface of the centre depressed wheels must be mounted min. 2 mm below the plane of the guard lip.

The adjusting nut must be tightened before starting to work with the machine.

Always use the auxiliary handle.

The workpiece must be fixed if it is not heavy enough to be steady. Never move the workpiece towards the rotating wheel by hand.

The flange nut must be securely tightened before the machine is started. If the tool is not securely tightened with the flange nut, it is possible that the tool will lose the required clamping force when it is decelerated.

#### OVERLOAD AND KICKBACK PROTECTION

The power tool has an overload and kickback safety function and stops if it is overloaded. Switch off the power tool and then switch the power tool back on again in order to continue to work.

#### SOFT START

Electronic soft start for save use prevents jerky run-up of the machine.

#### BRAKING SYSTEM

The run-on brake engages when the trigger is released, causing the tool to stop within seconds.

Make sure that the insertion tool comes to a complete stop before laying it down.

In comparison with tools without a run-on brake the run-on time will be highly reduced by braking.

#### ONE-KEY™

To learn more about the ONE-KEY functionality of this device, please refer to the Quick Start guide included with this product or go to <http://www.milwaukeetool.com/one-key>

To download the ONE-KEY app, visit the App Store or Google Play from your smart device.

Also, when the product experiences ESD, the Bluetooth communication will be disconnected. It needs to be reset manually to recover. We considered the results to be within our minimum acceptable performance level according to EN 55014-2 / EN 301 489-1 / EN 301 489-17.

#### CLEANING

The ventilation slots of the machine must be kept clear at all times.







#### MAINTENANCE

Use only Milwaukee accessories and Milwaukee spare parts. Should components need to be replaced which have not been described, please contact one of our Milwaukee service agents (see our list of guarantee/service addresses).

If needed, an exploded view of the tool can be ordered. Please state the Article No. as well as the machine type printed on the label and order the drawing at your local service agents or directly at: Techtronic Industries GmbH, Max-Eyth-Straße 10, 71364 Winnenden, Germany.

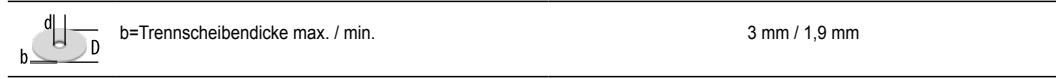
#### SYMBOLS

	Please read the instructions carefully before starting the machine.
	CAUTION! WARNING! DANGER!
	Remove the battery pack before starting any work on the appliance.
	Do not swallow the coin cell battery!
	Do not use the guard for cut-off operations.
	Do not use force.
	Use force.
	Always wear goggles when using the machine.
	Wear ear protectors.
	Wear a suitable dust protection mask.
	Wear gloves!
	Always operate with two hands.
	Only for grinding.
	Only for cutting work.
	Pay attention to permissible disc thickness.
	Accessory - Not included in standard equipment, available as an accessory.

	Do not dispose electric tools, batteries/rechargeable batteries together with household waste material. Electric tools and batteries that have reached the end of their life must be collected separately and returned to an environmentally compatible recycling facility. Check with your local authority or retailer for recycling advice and collection point.
<b>n</b>	Rated speed
<b>V</b>	Voltage
	Direct Current
	European Conformity Mark
	British Conformity Mark
	Ukraine Conformity Mark
	EurAsian Conformity Mark

**TECHNISCHE DATEN** **M18 ONEFLAG230XPDB**

Bauart	Akku-Winkelschleifer
Produktionsnummer	4835 68 01 XXXXXX MJJJJ
Spannung Wechselakku	18 V =
Frequenzband Bluetooth	2400 - 2483,5 MHz
Hochfrequenzleistung	2 dBm
Bluetooth-Version	4.2 BT signal mode
Nenn Drehzahl	6600 min <sup>-1</sup>
Spindelgewinde	M14
D=Schleifscheibendurchmesser max.	230 mm
d=Bohrungsdurchmesser	22,2 mm



Gewicht nach EPTA-Prozedur 01/2014 (Li-Ion 2,0 Ah ... 12,0 Ah)	4,2 ... 5,4 kg
Empfohlene Umgebungstemperatur für den Betrieb	-18 ... +50 °C
Empfohlene Akku Typen	M18B...; M18HB...
Empfohlene Ladegeräte	M12-18...; M1418C6

**Geräuschinformation:** Messwerte ermittelt entsprechend EN 60745. Der A-bewertete Geräuschpegel des Gerätes beträgt typischerweise:  
 Schalldruckpegel / Unsicherheit K 88,4 dB (A) / 3 dB (A)  
 Schalleistungspegel / Unsicherheit K 99,4 dB (A) / 3 dB (A)

**Gehörschutz tragen!**

**Vibrationsinformationen:** Schwingungsgesamtwerte (Vektorsumme dreier Richtungen) ermittelt entsprechend EN 60745.

Schwingungsemissionswert a <sub>n</sub> / Unsicherheit K	
Oberflächenschleifen	5,5 m/s <sup>2</sup> / 1,5 m/s <sup>2</sup>
Schleifen mit Schleifblatt	3,2 m/s <sup>2</sup> / 1,5 m/s <sup>2</sup>

Bei anderen Anwendungen, wie z.B. Trennschleifen oder Schleifen mit der Stahldrahtbürste können sich andere Vibrationswerte ergeben!

**⚠️ WARNUNG!**

Die angegebenen Schwingungsgesamtwerte und Geräuschemissionswerte wurden nach einem genormten Messverfahren gemäß EN 60745 gemessen und können für den Vergleich von Elektrowerkzeugen miteinander verwendet werden. Sie können für eine vorläufige Einschätzung der Belastung verwendet werden.

Der angegebene Schwingungs- und Geräuschemissionspegel repräsentiert die hauptsächlichsten Anwendungen des Elektrowerkzeugs. Wenn allerdings das Elektrowerkzeug für andere Anwendungen, mit abweichenden Einsatzwerkzeugen oder ungenügender Wartung eingesetzt wird, können sich die Schwingungs- und Geräuschemissionen unterscheiden. Dies kann deren Wirkung über den gesamten Arbeitszeitraum deutlich erhöhen.

Bei der Abschätzung der Belastung durch Schwingungen und Lärm sollten auch die Zeiten berücksichtigt werden, in denen das Elektrowerkzeug ausgeschaltet ist oder zwar läuft, aber keine tatsächliche Arbeit verrichtet wird. Dies kann deren Wirkung über den gesamten Arbeitszeitraum deutlich reduzieren.

Legen Sie zusätzliche Sicherheitsmaßnahmen zum Schutz des Bedieners vor den Auswirkungen von Schwingungen- und / oder Lärm fest, wie z. B.: Wartung des Werkzeugs und des Zubehörs, Warmhalten der Hände, Organisation der Arbeitsabläufe.

**⚠️ WARNUNG!** Lesen Sie alle Sicherheitshinweise und Anweisungen. Versäumnisse bei der Einhaltung der Sicherheitshinweise und Anweisungen können elektrischen Schlag, Brand und/oder schwere Verletzungen verursachen.

**Bewahren Sie alle Sicherheitshinweise und Anweisungen für die Zukunft auf.**

**SICHERHEITSHINWEISE FÜR WINKELSCHLEIFER**

**Gemeinsame Sicherheitshinweise zum Schleifen, Sandpapiers Schleifen, Arbeiten mit Drahtbürsten und Trennschleifen:**

- a) Dieses Elektrowerkzeug ist zu verwenden als Schleifer, Sandpapiers Schleifer, Drahtbürste und Trennschleifmaschine. Beachten Sie alle Sicherheitshinweise, Anweisungen, Darstellungen und Daten, die Sie mit dem Gerät erhalten. Wenn Sie die folgenden Anweisungen nicht beachten, kann es zu elektrischem Schlag, Feuer und/oder schweren Verletzungen kommen.
- b) Dieses Elektrowerkzeug ist nicht geeignet zum Polieren. Verwendungen, für die das Elektrowerkzeug nicht vorgesehen ist, können Gefährdungen und Verletzungen verursachen.

c) Verwenden Sie kein Zubehör, das vom Hersteller nicht speziell für dieses Elektrowerkzeug vorgesehen und empfohlen wurde. Nur weil Sie das Zubehör an Ihrem Elektrowerkzeug befestigen können, garantiert das keine sichere Verwendung.

d) Die zulässige Drehzahl des Einsatzwerkzeugs muss mindestens so hoch sein wie die auf dem Elektrowerkzeug angegebene Höchstdrehzahl. Zubehör, das sich schneller als zulässig dreht, kann zerbrechen und umherfliegen.

e) Außendurchmesser und Dicke des Einsatzwerkzeugs müssen den Maßangaben Ihres Elektrowerkzeugs entsprechen. Falsch bemessene Einsatzwerkzeuge können nicht ausreichend abgeschirmt oder kontrolliert werden.

f) Einsatzwerkzeuge mit Gewindeeinsatz müssen genau auf das Gewinde der Schleifspindel passen. Bei Einsatzwerkzeugen, die mittels Flansch montiert werden, muss der Lochdurchmesser des Einsatzwerkzeugs zum Aufnahmeflansch des Flansches passen. Einsatzwerkzeuge, die nicht genau am Einsatzwerkzeug befestigt werden, drehen sich ungleichmäßig, vibrieren sehr stark und können zum Verlust der Kontrolle führen.

g) Verwenden Sie keine beschädigten Einsatzwerkzeuge. Kontrollieren Sie vor jeder Verwendung Einsatzwerkzeuge wie Schleifscheiben auf Absplitterungen und Risse, Schleifteller auf Risse, Verschleiß oder starke Abnutzung, Drahtbürsten auf lose oder gebrochene Drähte. Wenn das Elektrowerkzeug oder das Einsatzwerkzeug herunterfällt, überprüfen Sie, ob es beschädigt ist, oder verwenden Sie ein unbeschädigtes Einsatzwerkzeug. Wenn Sie das Einsatzwerkzeug kontrolliert und eingesetzt haben, halten Sie und in der Nähe befindliche Personen sich außerhalb der Ebene des rotierenden Einsatzwerkzeugs auf und lassen Sie das Elektrowerkzeug eine Minute lang mit Höchstdrehzahl laufen. Beschädigte Einsatzwerkzeuge brechen meist in dieser Testzeit.

h) Tragen Sie persönliche Schutzausrüstung. Verwenden Sie je nach Anwendung Vollgesichtsschutz, Augenschutz oder Schutzbrille. Soweit angemessen, tragen Sie Staubmaske, Gehörschutz, Schutzhandschuhe oder Spezialschürze, die kleine Schleif- und Materialpartikel von Ihnen fernhält. Die Augen sollen vor herumfliegenden Fremdkörpern geschützt werden, die bei verschiedenen Anwendungen entstehen. Staub- oder Atemschutzmaske müssen den bei der Anwendung entstehenden Staub filtern. Wenn Sie lange lauten Lärm ausgesetzt sind, können Sie einen Hörverlust erleiden.

i) Achten Sie bei anderen Personen auf sicheren Abstand zu Ihrem Arbeitsbereich. Jeder, der den Arbeitsbereich betritt, muss persönliche Schutzausrüstung tragen. Bruchstücke des Werkstücks oder gebrochener Einsatzwerkzeuge können wegfliegen und Verletzungen auch außerhalb des direkten Arbeitsbereichs verursachen.

j) Halten Sie das Elektrowerkzeug nur an den isolierten Griffflächen, wenn Sie Arbeiten ausführen, bei denen das Einsatzwerkzeug verborgene Stromleitungen treffen kann. Der Kontakt mit einer spannungsführenden Leitung kann auch metallene Geräteteile unter Spannung setzen und zu einem elektrischen Schlag führen.

k) Legen Sie das Elektrowerkzeug niemals ab, bevor das Einsatzwerkzeug völlig zum Stillstand gekommen ist. Das sich drehende Einsatzwerkzeug kann in Kontakt mit der Ablagefläche geraten, wodurch Sie die Kontrolle über das Elektrowerkzeug verlieren können.

l) Lassen Sie das Elektrowerkzeug nicht laufen, während Sie es tragen. Ihre Kleidung kann durch zufälligen Kontakt mit dem sich drehenden Einsatzwerkzeug erfasst werden und das Einsatzwerkzeug sich in Ihren Körper bohren.

m) Reinigen Sie regelmäßig die Lüftungsschlitze Ihres Elektrowerkzeugs. Das Motorgebläse zieht Staub in das Gehäuse, und eine starke Ansammlung von Metallstaub kann elektrische Gefahren verursachen.

n) Verwenden Sie das Elektrowerkzeug nicht in der Nähe brennbarer Materialien. Funken können diese Materialien entzünden.

o) Verwenden Sie keine Einsatzwerkzeuge, die flüssige Kühlmittel erfordern. Die Verwendung von Wasser oder anderen flüssigen Kühlmitteln kann zu einem elektrischen Schlag führen.

**Rückschlag und entsprechende Sicherheitshinweise**

Rückschlag ist die plötzliche Reaktion infolge eines hakenden oder blockierten drehenden Einsatzwerkzeugs, wie Schleifscheibe, Schleifteller, Drahtbürste usw. Verhaken oder Blockieren führt zu einem abrupten Stopp des rotierenden Einsatzwerkzeugs. Dadurch wird ein unkontrolliertes Elektrowerkzeug gegen die Drehrichtung des Einsatzwerkzeugs an der Blockierstelle beschleunigt.

Wenn z. B. eine Schleifscheibe im Werkstück haket oder blockiert, kann sich die Kante der Schleifscheibe, die in das Werkstück eintaucht, verfangen und dadurch die Schleifscheibe ausbrechen oder einen Rückschlag verursachen. Die Schleifscheibe bewegt sich dann auf die Bedienperson zu oder von ihr weg, je nach Drehrichtung der Scheibe an der Blockierstelle. Hierbei können Schleifscheiben auch brechen.

Ein Rückschlag ist die Folge eines falschen oder fehlerhaften Gebrauchs des Elektrowerkzeugs. Er kann durch geeignete Vorsichtsmaßnahmen, wie nachfolgend beschrieben, verhindert werden.

a) Halten Sie das Elektrowerkzeug gut fest und bringen Sie Ihren Körper und Ihre Arme in eine Position, in der Sie die Rückschlagkräfte abfangen können. Verwenden Sie immer den Zusatzgriff, falls vorhanden, um die größtmögliche Kontrolle über Rückschlagkräfte oder Reaktionsmomente beim Hochlauf zu haben. Die Bedienperson kann durch geeignete Vorsichtsmaßnahmen die Rückschlag- und Reaktionskräfte beherrschen.

b) Bringen Sie Ihre Hand nie in die Nähe sich drehender Einsatzwerkzeuge. Das Einsatzwerkzeug kann sich beim Rückschlag über Ihre Hand bewegen.

c) Meiden Sie mit Ihrem Körper den Bereich, in den das Elektrowerkzeug bei einem Rückschlag bewegt wird. Der Rückschlag treibt das Elektrowerkzeug in die Richtung entgegengesetzt zur Bewegung der Schleifscheibe an der Blockierstelle.

d) Arbeiten Sie besonders vorsichtig im Bereich von Ecken, scharfen Kanten usw. Verhindern Sie, dass Einsatzwerkzeuge vom Werkstück zurückprallen und verkleben. Das rotierende Einsatzwerkzeug neigt bei Ecken, scharfen Kanten oder wenn es abprallt dazu, sich zu verkleben. Dies verursacht einen Kontrollverlust oder Rückschlag.

e) Verwenden Sie kein Ketten- oder gezähntes Sägeblatt. Solche Einsatzwerkzeuge verursachen häufig einen Rückschlag oder den Verlust der Kontrolle über das Elektrowerkzeug.

**Besondere Sicherheitshinweise zum Schleifen und Trennschleifen:**

a) Verwenden Sie ausschließlich die für Ihr Elektrowerkzeug zugelassenen Schleifkörper und die für diese Schleifkörper vorgesehene Schutzhaube. Schleifkörper, die nicht für das Elektrowerkzeug vorgesehen sind, können nicht ausreichend abgeschirmt werden und sind unsicher.

b) Gekrüpfte Schleifscheiben müssen so montiert werden, dass ihre Schleiffläche nicht über die Ebene des Schutzhaubenrandes hinausragt. Eine unsachgemäß montierte Schleifscheibe, die über die Ebene des Schutzhaubenrandes hinausragt, kann nicht ausreichend abgeschirmt werden.

c) Die Schutzhaube muss sicher am Elektrowerkzeug angebracht und für ein Höchstmaß an Sicherheit so eingestellt sein, dass der kleinstmögliche Teil des Schleifkörpers offen zum Bediener zeigt. Die Schutzhaube hilft, die Bedienperson vor Bruchstücken, zufälligem Kontakt mit dem Schleifkörper sowie Funken, die Kleidung entzünden könnten, zu schützen.

**d) Schleifkörper dürfen nur für die empfohlenen Einsatzmöglichkeiten verwendet werden. Zum Beispiel: Schleifen Sie nie mit der Seitenfläche einer Trennscheibe.** Trennscheiben sind zum Materialabtrag mit der Kante der Scheibe bestimmt. Seitliche Kräfteinwirkung auf diese Schleifkörper kann sie zerbrechen.

**e) Verwenden Sie immer unbeschädigte Spannflansche in der richtigen Größe und Form für die von Ihnen gewählte Schleifscheibe.** Geeignete Flansche stützen die Schleifscheibe und verringern so die Gefahr eines Schleifscheibenbruchs. Flansche für Trennscheiben können sich von den Flanschen für andere Schleifscheiben unterscheiden.

**f) Verwenden Sie keine abgenutzten Schleifscheiben von größeren Elektrowerkzeugen.** Schleifscheiben für größere Elektrowerkzeuge sind nicht für die höheren Drehzahlen von kleineren Elektrowerkzeugen ausgelegt und können brechen.

#### Weitere besondere Sicherheitshinweise zum Trennschleifen:

**a) Vermeiden Sie ein Blockieren der Trennscheibe oder zu hohen Anpressdruck. Führen Sie keine übermäßig tiefen Schnitte aus.** Eine Überlastung der Trennscheibe erhöht deren Beanspruchung und die Anfälligkeit zum Verkanten oder Blockieren und damit die Möglichkeit eines Rückschlags oder Schleifkörperbruchs.

**b) Meiden Sie den Bereich vor und hinter der rotierenden Trennscheibe.** Wenn Sie die Trennscheibe im Werkstück von sich wegbewegen, kann im Falle eines Rückschlags das Elektrowerkzeug mit der sich drehenden Scheibe direkt auf Sie zugeschleudert werden.

**c) Falls die Trennscheibe verklemmt oder Sie die Arbeit unterbrechen, schalten Sie das Gerät aus und halten Sie es ruhig, bis die Scheibe zum Stillstand gekommen ist. Versuchen Sie nie, die noch laufende Trennscheibe aus dem Schnitt zu ziehen, sonst kann ein Rückschlag erfolgen.** Ermitteln und beheben Sie die Ursache für das Verklemmen.

**d) Schalten Sie das Elektrowerkzeug nicht wieder ein, solange es sich im Werkstück befindet. Lassen Sie die Trennscheibe erst ihre volle Drehzahl erreichen, bevor Sie den Schnitt vorsichtig fortsetzen.** Anderenfalls kann die Scheibe verhalten, aus dem Werkstück springen oder einen Rückschlag verursachen.

**e) Stützen Sie Platten oder große Werkstücke ab, um das Risiko eines Rückschlags durch eine eingeklemmte Trennscheibe zu vermindern.** Große Werkstücke können sich unter ihrem eigenen Gewicht durchbiegen. Das Werkstück muss auf beiden Seiten abgestützt werden, und zwar sowohl in der Nähe des Trennschnitts als auch an der Kante.

**f) Seien Sie besonders vorsichtig bei „Taschenschnitten“ in bestehende Wände oder andere nicht einsehbare Bereiche.** Die eintauchende Trennscheibe kann beim Schneiden in Gas- oder Wasserleitungen, elektrische Leitungen oder andere Objekte einen Rückschlag verursachen.

#### Besondere Sicherheitshinweise zum Sandpapierschleifen:

**a) Benutzen Sie keine überdimensionierten Schleifblätter, sondern befolgen Sie die Herstellerangaben zur Schleifblattgröße.** Schleifblätter, die über den Schleifteller hinausragen, können Verletzungen verursachen sowie zum Blockieren, Zerreißen der Schleifblätter oder zum Rückschlag führen.

#### Besondere Sicherheitshinweise zum Arbeiten mit Drahtbürsten:

**a) Beachten Sie, dass die Drahtbürste auch während des üblichen Gebrauchs Drahtschutz verliert. Überlasten Sie die Drähte nicht durch zu hohen Anpressdruck.** Wegfliegende Drahtstücke können sehr leicht durch dünne Kleidung und/oder die Haut dringen.

**b) Wird eine Schutzhaube empfohlen, verhindern Sie, dass sich Schutzhaube und Drahtbürste berühren können.** Teller- und Topfbürsten können durch Anpressdruck und Zentrifugalkräfte ihren Durchmesser vergrößern.

#### WEITERE SICHERHEITS- UND ARBEITSHINWEISE

Überprüfen Sie stets, ob die Spindelarreterierung vollständig gelöst ist, bevor Sie das Werkzeug einschalten! Nach der Verwendung der Spindelarreterierung zum Anziehen/Lösen der Schleifscheibe ist es möglich, dass die Taste in der Verriegelungsstellung stecken bleibt.

Beim Schleifen von Metallen entsteht Funkenflug. Darauf achten, dass keine Personen gefährdet werden. Wegen der Brandgefahr dürfen sich keine brennbaren Materialien im Funkenflugbereich befinden. Keine Staubaabsaugung verwenden.

Vermeiden Sie, dass Funkenflug und Schleifstaub den Körper treffen.

Nicht in den Gefahrenbereich der laufenden Maschine greifen.

Späne oder Splitter dürfen bei laufender Maschine nicht entfernt werden.

Gerät sofort ausschalten, wenn beträchtliche Schwingungen auftreten oder andere Mängel festgestellt werden. Überprüfen Sie die Maschine, um die Ursache festzustellen.

Bei extremen Einsatzbedingungen (z. B. beim Glattschleifen von Metallen mit Stützteller und Vulkanfieber-Schleifscheibe) kann sich eine starke Verschmutzung im Inneren des Stabschleifers (Metallablagerungen) aufbauen.

Wegen Kurzschlussgefahr dürfen Metallteile nicht in die Lüftungsschlitze gelangen.

**WARNUNG!** Verbrennungsgefahr! Die Scheibe und das Werkstück werden während der Verwendung heiß. Tragen Sie Handschuhe, wenn Sie Scheiben austauschen oder das Werkstück berühren. Halten Sie Ihre Hände unter keinen Umständen in den Schleifbereich.

**WARNUNG!** Um die durch einen Kurzschluss verursachte Gefahr eines Brandes, von Verletzungen oder Produktbeschädigungen zu vermeiden, tauchen Sie das Werkzeug, den Wechselakku oder das Ladegerät nicht in Flüssigkeiten ein und sorgen Sie dafür, dass keine Flüssigkeiten in die Geräte und Akkus eindringen. Korrodierende oder leitfähige Flüssigkeiten, wie Salzwasser, bestimmte Chemikalien und Bleichmittel oder Produkte, die Bleichmittel enthalten, können einen Kurzschluss verursachen. Wechselakku und Ladegeräte nicht öffnen und nur in trockenen Räumen lagern. Vor Nässe schützen.

Wechselakkus des Systems M18 nur mit Ladegeräten des Systems M18 laden. Keine Akkus aus anderen Systemen laden.



**WARNUNG!** Dieses Gerät enthält eine Lithium Knopf-/Münzzellenbatterie. Eine neue oder gebrauchte Batterie kann schwere interne Verbrennungen verursachen und zum Tod in weniger als 2 Stunden führen, wenn sie verschluckt oder in den Körper gelangt. Sichern Sie immer den Batteriefachdeckel. Wenn er nicht sicher schließt, stoppen Sie das Gerät, entfernen Sie die Batterie und halten Sie sie von Kindern fern. Wenn Sie glauben, dass Batterien verschluckt oder in den Körper eingedrungen sind, suchen Sie sofortige ärztliche Hilfe auf.

#### BESTIMMUNGSGEMÄSSE VERWENDUNG

Der Winkelschleifer ist zum Schleifen und Trennen von Metall-, Stein-, Beton- und Keramikmaterialien sowie zum Schmiregeln und Bürsten (mit einer Drahtbürste) vorgesehen.

Für Trennarbeiten Trennschutzkappe aus dem Zubehörprogramm verwenden.

Beachten Sie auch die Hinweise der Zubehörhersteller.

Das Elektrowerkzeug ist nur für Trockenbearbeitung geeignet.

Am Winkelschleifer sollten nur geeignete Schleif- oder Trennscheiben und entsprechende Schutzvorrichtungen (Schleifschutz oder Trennschutz), wie im Abschnitt "Produktspezifikation" dieses Handbuchs beschrieben, angebracht werden. Der Winkelschleifer ist als Handwerkzeug vorgesehen. Er darf nicht auf einer Halterung oder Werkbank montiert werden.

Verwenden Sie das Produkt nur für den bestimmungsgemäßen Gebrauch.

#### RESTRISIKEN

Auch bei ordnungsgemäßer Verwendung können nicht alle Restrisiken ausgeschlossen werden. Beim Gebrauch können folgende Gefahren entstehen, auf die der Bediener besonders achten sollte:

- Durch Vibration verursachte Verletzungen. Halten Sie das Gerät an den dafür vorgesehenen Griffen und begrenzen Sie die Arbeits- und Expositionszeit.
- Lärmbelastung kann zu Gehörschädigungen führen. Tragen Sie einen Gehörschutz und schränken Sie die Expositionsdauer ein.
- Durch Schmutzpartikel verursachte Augenverletzungen. Tragen Sie immer eine Schutzbrille, feste lange Hosen, Handschuhe und festes Schuhwerk.
- Einatmen von giftigen Stäuben.

#### HINWEISE FÜR LI-ION-AKKUS

##### Gebrauch von Li-Ion-Akkus

Längere Zeit nicht benutzte Wechselakkus vor Gebrauch nachladen.

Eine Temperatur über 50°C vermindert die Leistung des Wechselakkus. Längere Erwärmung durch Sonne oder Heizung vermeiden.

Die Anschlusskontakte an Ladegerät und Wechselakku sauber halten.

Für eine optimale Lebensdauer müssen nach dem Gebrauch die Akkus voll geladen werden.

Für eine möglichst lange Lebensdauer sollten die Akkus nach dem Aufladen aus dem Ladegerät entfernt werden.

Bei Lagerung des Akkus länger als 30 Tage:

Akku bei ca. 27°C und trocken lagern.

Akku bei ca. 30%-50% des Ladezustandes lagern.

Akku alle 6 Monate erneut aufladen.

##### Akkuüberlastschutz bei Li-Ion-Akkus

Bei Überlastung des Akkus durch sehr hohen Stromverbrauch, z.B. extrem hohe Drehmomente, plötzlichem Stopp oder Kurzschluss, vibriert das Elektrowerkzeug 5 Sekunden lang, die Ladeanzeige blinkt und das Elektrowerkzeug schaltet sich selbsttätig ab.

Zum Wiedereinschalten, den Schalterdrücker loslassen und dann wieder einschalten. Unter extremen Belastungen erhitzt sich der Akku zu stark. In diesem Fall blinken alle Lampen der Ladeanzeige bis der Akku abgekühlt ist. Nach Erlöschen der Ladeanzeige kann weitergearbeitet werden.

##### Transport von Lithium-Ionen-Akkus

Lithium-Ionen-Akkus fallen unter die gesetzlichen Bestimmungen zum Gefahrguttransport.

Der Transport dieser Akkus muss unter Einhaltung der lokalen, nationalen und internationalen Vorschriften und Bestimmungen erfolgen.

Verbraucher dürfen diese Akkus ohne Weiteres auf der Straße transportieren.

Der kommerzielle Transport von Lithium-Ionen-Akkus durch Speditionsunternehmen unterliegt den Bestimmungen des Gefahrguttransports. Die Versandvorbereitungen und der Transport dürfen ausschließlich von entsprechend geschulten Personen durchgeführt werden. Der gesamte Prozess muss fachmännisch begleitet werden.

Folgende Punkte sind beim Transport von Akkus zu beachten:

Stellen Sie sicher, dass die Kontakte geschützt und isoliert sind, um Kurzschlüsse zu vermeiden.

Achten Sie darauf, dass der Akkupack innerhalb der Verpackung nicht verrutschen kann. Beschädigte oder auslaufende Akkus dürfen nicht transportiert werden. Wenden Sie sich für weitere Hinweise an Ihr Speditionsunternehmen.

#### ARBEITSHINWEISE

Vergewissern Sie sich bei Schleifwerkzeugen mit Gewindeinsatz, dass das Gewinde lang genug ist, um die Spindellänge aufzunehmen.

Trenn- und Schleifscheiben stets gemäß den Angaben des Herstellers verwenden und aufbewahren.

Beim Schruppen und Trennen immer mit Schutzhaube arbeiten.

Gekrüpfte Schleifscheiben müssen so montiert werden, dass ihre Schleiffläche mind. 2 mm unter der Ebene des Schutzhaubenrandes endet.

Die Flanschmutter muss vor Inbetriebnahme der Maschine angezogen sein.

Stets den Zusatzhandgriff verwenden.

Das zu bearbeitende Werkstück muss festgespannt werden, sofern es nicht durch sein Eigengewicht hält. Niemals Werkstück mit der Hand gegen die Scheibe führen.

Die Flanschmutter muss vor Inbetriebnahme der Maschine fest angezogen sein. Sollte das Einsatzwerkzeug mit der Flanschmutter nicht fest angezogen werden, besteht die Möglichkeit, dass das Einsatzwerkzeug beim Abbremsen die notwendige Spannkraft verliert.

#### ÜBERLAST- UND RÜCKSCHLAG-SCHUTZ

Das Elektrowerkzeug verfügt über eine Überlast- und Rückschlag-Schutzfunktion und stoppt bei entsprechender Überlast. Um weiter zu arbeiten, Elektrowerkzeug aus- und wieder einschalten.

#### SANFTANLAUF

Elektronischer Sanftanlauf für sichere Handhabung verhindert beim Einschalten ein ruckartiges Anlaufen der Maschine.

#### BREMSSYSTEM

Die Auslaufbremse wirkt, sobald der Schalter losgelassen wird. Das Werkzeug stoppt dann innerhalb von Sekunden.

Stellen Sie sicher, dass das Einsatzwerkzeug vollständig zum Stillstand kommt, bevor Sie es ablegen.

Im Vergleich zu Werkzeugen ohne Auslaufbremse wird die Auslaufaufzeit durch das Bremsen stark verkürzt.

#### ONE-KEY™

Um mehr über die ONE-KEY Funktionalität dieses Gerätes zu erfahren, lesen Sie die beiliegende Schnellstartanleitung oder besuchen Sie uns im Internet unter <http://www.milwaukeeetool.com/one-key>

Sie können die ONE-KEY App über den App Store oder Google Play auf Ihr Smartphone herunterladen.

Durch elektrostatische Entladungen verursachte Störungen führen auch zur Unterbrechung der Bluetooth-Kommunikation. In diesem Fall muss die Bluetooth-Verbindung manuell wieder hergestellt werden. Die Prüfergebnisse erfüllen unsere Mindestanforderungen gemäß EN 55014-2 / EN 301 489-1 / EN 301 489-17.

#### REINIGUNG

Stets die Lüftungsschlitze der Maschine sauber halten.

#### WARTUNG

Nur Milwaukee Zubehör und Milwaukee Ersatzteile verwenden. Bauteile, deren Austausch nicht beschrieben wurde, bei einer Milwaukee Kundendienststelle auswechseln lassen (Broschüre Garantie/Kundendienstadressen beachten).

Bei Bedarf kann eine Explosionszeichnung des Gerätes unter Angabe der Maschinen Type und der sechsstelligen Nummer auf dem Leistungsschild bei Ihrer Kundendienststelle oder direkt bei Technicon Industries GmbH, Max-Eyth-Straße 10, 71364 Winnenden, Germany angefordert werden.

**SYMBOLE**

	Bitte lesen Sie die Gebrauchsanweisung vor Inbetriebnahme sorgfältig durch.
	ACHTUNG! WARNUNG! GEFAHR!
	Vor allen Arbeiten am Gerät den Wechselakku herausnehmen.
	Knopfzellenbatterie nicht verschlucken!
	Den Schutz nicht für das Trennschleifen verwenden.
	Keine Kraft anwenden.
	Kraft anwenden.
	Beim Arbeiten mit der Maschine stets Schutzbrille tragen.
	Tragen Sie Gehörschutz.
	Geeignete Staubschutzmaske tragen.
	Schutzhandschuhe tragen!
	Das Werkzeug stets mit zwei Händen bedienen.
	Nur für Schleifarbeiten.
	Nur für Trennarbeiten.
	Auf zulässige Scheibendicke achten.
	Zubehör - Im Lieferumfang nicht enthalten, empfohlene Ergänzung aus dem Zubehörprogramm.

	Elektrogeräte, Batterien/Akkus dürfen nicht zusammen mit dem Hausmüll entsorgt werden. Elektrische Geräte und Akkus sind getrennt zu sammeln und zur umweltgerechten Entsorgung bei einem Verwertungsbetrieb abzugeben. Erkundigen Sie sich bei den örtlichen Behörden oder bei Ihrem Fachhändler nach Recyclinghöfen und Sammelstellen.
<b>n</b>	Nennzahl
<b>V</b>	Spannung
	Gleichstrom
	Europäisches Konformitätszeichen
	Britisches Konformitätszeichen
	Ukrainisches Konformitätszeichen
	Euroasiatisches Konformitätszeichen

**CARACTÉRISTIQUES TECHNIQUES**

	M18 ONEFLAG230XPDB
Type	Meuleuse d'Angle sans fil
Numéro de série	4835 68 01 XXXXXX MJJJJ
Tension accu interchangeable	18 V $\equiv$
Bande (bandes) de fréquence Bluetooth	2400 - 2483,5 MHz
Puissance à haute fréquence	2 dBm
Version Bluetooth	4.2 BT signal mode
Vitesse de rotation nominale	6600 min <sup>-1</sup>
Filetage de l'arbre	M14
D=Diamètre de meule max.	230 mm
d=Diamètre de perçage	22,2 mm
	b=Épaisseur disque polisseur max. 8 mm
	b=Épaisseur disque de coupe max. / min. 3 mm / 1,9 mm
	D=Diamètre du disque de ponçage max. 230 mm
	D=Diamètre brosse métallique max. 100 mm
Poids suivant EPTA-Procédure 01/2014 (Li-Ion 2,0 Ah ... 12,0 Ah)	4,2 ... 5,4 kg
Température ambiante conseillée pour le fonctionnement	-18 ... +50 °C
Batteries conseillées	M18B...; M18HB...
Chargeurs conseillés	M12-18...; M1418C6

**Informations sur le bruit:** Valeurs de mesure obtenues conformément à la EN 60745.  
 Les mesures réelles (des niveaux acoustiques de l'appareil sont :  
 Niveau de pression acoustique / Incertitude K 88,4 dB (A) / 3 dB (A)  
 Niveau d'intensité acoustique / Incertitude K 99,4 dB (A) / 3 dB (A)  
**Toujours porter une protection acoustique!**

**Informations sur les vibrations:** Valeurs totales des vibrations (somme vectorielle de trois sens) établies conformément à EN 60745.  
 Valeur d'émission vibratoire a<sub>n</sub> / Incertitude K  
 Meulage surfacique 5,5 m/s<sup>2</sup> / 1,5 m/s<sup>2</sup>  
 Polissage avec feuille abrasive 3,2 m/s<sup>2</sup> / 1,5 m/s<sup>2</sup>  
 Des valeurs de vibration différentes peuvent se présenter pendant d'autres applications, comme par exemple le tronçonnage ou le polissage avec la brosse à fils métalliques !

**AVERTISSEMENT!**  
 Le niveau de vibration et d'émissions sonores indiqué dans cette fiche de données a été mesuré en respect d'une méthode standard de test selon la norme EN 60745 et peut être utilisé pour comparer les outils entre eux. Il peut être utilisé pour évaluation préliminaire de l'exposition.  
 Le niveau de vibration et d'émissions sonores déclaré correspond à l'application principale de l'outil. Cependant, si l'outil est utilisé pour des applications différentes, avec différents accessoires ou est mal entretenu, les vibrations et les émissions sonores peuvent différer. Cela peut augmenter considérablement le niveau d'exposition au cours de la période de travail totale.  
 Une estimation du niveau d'exposition aux vibrations et au bruit devrait également tenir compte des temps d'arrêt de l'outil ou des périodes où il est en marche mais n'effectue pas réellement le travail. Cela peut réduire considérablement le niveau d'exposition au cours de la période de travail totale.  
 Identifier des mesures de sécurité supplémentaires pour protéger l'opérateur des effets des vibrations et/ou du bruit tels que : l'entretien de l'outil et des accessoires, le maintien au chaud des mains, l'organisation des processus de travail.

**AVERTISSEMENT!** Lisez toutes les consignes de sécurité et les instructions. Le non-respect des avertissements et instructions indiqués ci après peut entraîner un choc électrique, un incendie et/ou de graves blessures sur les personnes.  
**Bien garder tous les avertissements et instructions.**

**INDICATIONS DE SÉCURITÉ POUR POLISSEUSE D'ANGLE**  
**Avertissements communs pour le meulage, le ponçage au papier de verre, les travaux avec brosses métalliques le tronçonnage :**  
**a) Cet outil électrique est destiné à fonctionner comme meuleuse, ponceuse, brosse métallique, lustreuse ou outil à tronçonner. Lire toutes les mises en garde de sécurité, les instructions, les illustrations et les spécifications fournies avec cet outil électrique.** Le fait de ne pas suivre toutes les instructions données ci-dessous peut provoquer un choc électrique, un incendie et/ou une blessure grave.  
**b) Cet outil électrique ne convient pas au meulage à la polissage.** Les cas d'utilisation pour lesquels l'outil électrique n'est pas prévu peuvent présenter des mises en danger et être à l'origine de blessures.



**c) Ne pas utiliser d'accessoires non conçus spécifiquement et recommandés par le fabricant d'outils.** Le simple fait que l'accessoire puisse être fixé à votre outil électrique ne garantit pas un fonctionnement en toute sécurité.

**d) La vitesse assignée de l'accessoire doit être au moins égale à la vitesse maximale indiquée sur l'outil électrique.** Les accessoires fonctionnant plus vite que leur vitesse assignée peuvent se rompre et voler en éclat.

**e) Le diamètre extérieur et l'épaisseur de votre accessoire doivent se situer dans le cadre des caractéristiques de capacité de votre outil électrique.** Les accessoires dimensionnés de façon incorrecte ne peuvent pas être protégés ou commandés de manière appropriée.

**f) Les filetages des accessoires doivent coïncider avec le filetage du mandrin porte-meule. Sur les accessoires équipés de fixation à bride le trou consacré au mandrin de montage doit coïncider avec le diamètre de la bride de fixation.** Des accessoires non aptes au mandrin de fixation du dispositif tourneront d'une manière excentrique, vibreront excessivement et ils pourront comporter la perte du contrôle de l'appareil.

**g) Ne pas utiliser d'accessoire endommagé. Avant chaque utilisation examiner les accessoires comme les meules abrasives pour détecter la présence éventuelle de copeaux et fissures, les patins d'appui pour détecter des traces éventuelles de fissures, de déchirure ou d'usure excessive, ainsi que les brosses métalliques pour détecter des fils desserrés ou fissurés. Si l'outil électrique ou l'accessoire a subi une chute, examiner les dommages éventuels ou installer un accessoire non endommagé. Après examen et installation d'un accessoire, placez-vous ainsi que les personnes présentes à distance du plan de l'accessoire rotatif et faire marcher l'outil électrique à vitesse maximale à vide pendant 1 min.** Les accessoires endommagés seront normalement détruits pendant cette période d'essai.

**h) Porter un équipement de protection individuelle. En fonction de l'application, utiliser un écran facial, des lunettes de sécurité ou des verres de sécurité. Le cas échéant, utiliser un masque antipoussières, des protections auditives, des gants et un tablier capables d'arrêter les petits fragments abrasifs ou des pièces à usiner.** La protection oculaire doit être capable d'arrêter les débris volants produits par les diverses opérations. Le masque antipoussières ou le respirateur doit être capable de filtrer les particules produites par vos travaux. L'exposition prolongée aux bruits de forte intensité peut provoquer une perte de l'audition.

**i) Maintenir les personnes présentes à une distance de sécurité par rapport à la zone de travail. Toute personne entrant dans la zone de travail doit porter un équipement de protection individuelle.** Des fragments de pièce à usiner ou d'un accessoire cassé peuvent être projetés et provoquer des blessures en dehors de la zone immédiate d'opération.

**j) Maintenez l'appareil par les surfaces de poignée isolées lorsque vous exécutez des travaux pendant lesquels l'outil de coupe peut toucher des lignes électriques dissimulées.** Le contact de l'outil de coupe avec un câble qui conduit la tension peut mettre les pièces métalliques de l'appareil sous tension et mener à une décharge électrique.

**k) Ne jamais poser l'appareil électrique avant que l'outil rapporté soit entièrement à l'arrêt.** L'accessoire de rotation peut agripper la surface et arracher l'outil électrique hors de votre contrôle.

**l) Ne pas faire fonctionner l'outil électrique en le portant sur le côté.** Un contact accidentel avec l'accessoire de rotation pourrait accrocher vos vêtements et attirer l'accessoire sur vous.

**m) Nettoyer régulièrement les orifices d'aération de l'outil électrique.** Le ventilateur du moteur attirera la poussière à l'intérieur du boîtier et une accumulation excessive de poudre de métal peut provoquer des dangers électriques.

**n) Ne pas faire fonctionner l'outil électrique à proximité de matériaux inflammables.** Des étincelles pourraient enflammer ces matériaux.

**o) Ne pas utiliser d'accessoires qui nécessitent des réfrigérants fluides.** L'utilisation d'eau ou d'autres réfrigérants fluides peut aboutir à une électrocution ou un choc électrique.

## Rebonds et mises en garde correspondantes

Le rebond est une réaction soudaine au pincement ou à l'accrochage d'une meule rotative, d'un patin d'appui, d'une brosse ou de tout autre accessoire. Le pincement ou l'accrochage provoque un blocage rapide de l'accessoire en rotation qui, à son tour, contraint l'outil électrique hors de contrôle dans le sens opposé de rotation de l'accessoire au point du grippage.

Par exemple, si une meule abrasive est accrochée ou pincée par la pièce à usiner, le bord de la meule qui entre dans le point de pincement peut creuser la surface du matériau, provoquant des sauts ou l'expulsion de la meule. La meule peut sauter en direction de l'opérateur ou encore en s'en éloignant, selon le sens du mouvement de la meule au point de pincement. Les meules abrasives peuvent également se rompre dans ces conditions.

Le rebond résulte d'un mauvais usage de l'outil et/ou de procédures ou de conditions de fonctionnement incorrectes et peut être évité en prenant les précautions appropriées spécifiées ci-dessous.

**a) Maintenir fermement l'outil électrique et placer votre corps et vos bras pour vous permettre de résister aux forces de rebond. Toujours utiliser une poignée auxiliaire, le cas échéant, pour une maîtrise maximale du rebond ou de la réaction de couple au cours du démarrage.** L'opérateur peut maîtriser les couples de réaction ou les forces de rebond, si les précautions qui s'imposent sont prises.

**b) Ne jamais placer votre main à proximité de l'accessoire en rotation.** L'accessoire est susceptible de rebondir sur votre main.

**c) Ne pas vous placer dans la zone où l'outil électrique se déplacera en cas de rebond.** Le rebond pousse l'outil dans le sens opposé au mouvement de la meule au point d'accrochage.

**d) Apporter un soin particulier lors de travaux dans les coins, les arêtes vives etc. Éviter les rebondissements et les accrochages de l'accessoire.** Les coins, les arêtes vives ou les rebondissements ont tendance à accrocher l'accessoire en rotation et à provoquer une perte de contrôle ou un rebond.

**e) N'utilisez pas de lames de scie à chaîne ou dentées.** Ce type d'outil rapporté provoque fréquemment des contrecoups et une perte de contrôle de l'outil électrique.

## Mises en garde de sécurité spécifiques aux opérations de meulage et de tronçonnage abrasif :

**a) Le protecteur doit être solidement fixé à l'outil électrique et placé en vue d'une sécurité maximale, de sorte que l'opérateur soit exposé le moins possible à la meule.** Le protecteur permet de protéger l'opérateur des fragments de meule cassée et d'un contact accidentel avec la meule.

**b) Les disques polisseurs à moyeu déporté devront être montés d'une façon telle que la surface de polissage ne dépasse pas le niveau du bord du protecteur.** Un disque polisseur non correctement monté dépassant le niveau du bord du protecteur ne pourra pas être protégé suffisamment.

**c) Utiliser uniquement des types de meules recommandés pour votre outil électrique et le protecteur spécifique conçu pour la meule choisie.** La protection sécurise l'utilisateur contre les fragments de disque cassé, un contact accidentel avec le disque et les étincelles pouvant provoquer l'inflammation des vêtements.

**d) Les meules doivent être utilisées uniquement pour les applications recommandées. Par exemple : ne pas meuler avec le côté de la meule à tronçonner.** Les meules à tronçonner abrasives sont destinées au meulage périphérique, l'application de forces latérales à ces meules peut les briser en éclats.

**e) Toujours utiliser des flasques de meule non endommagés qui sont de taille et de forme correctes pour la meule que vous avez choisie.** Des flasques de meule appropriés supportent la meule réduisant ainsi la possibilité de rupture de la meule. Les flasques pour les meules à tronçonner peuvent être différents des autres flasques de meule.

**f) Ne pas utiliser de meules usées d'outils électriques plus grands.** La meule destinée à un outil électrique plus grand n'est pas appropriée pour la vitesse plus élevée d'un outil plus petit et elle peut éclater.

## Mises en garde de sécurité additionnelles spécifiques aux opérations de tronçonnage abrasif

**a) Ne pas « coincer » la meule à tronçonner ou ne pas appliquer une pression excessive. Ne pas tenter d'exécuter une profondeur de coupe excessive.** Une contrainte excessive de la meule augmente la charge et la probabilité de torsion ou de blocage de la meule dans la coupe et la possibilité de rebond ou de rupture de la meule.

**b) Ne pas vous placer dans l'alignement de la meule en rotation ni derrière celle-ci.** Lorsque la meule, au point de fonctionnement, s'éloigne de votre corps, le rebond éventuel peut propulser la meule en rotation et l'outil électrique directement sur vous.

**c) Lorsque la meule se bloque ou lorsque la coupe est interrompue pour une raison quelconque, mettre l'outil électrique hors tension et tenir l'outil électrique immobile jusqu'à ce que la meule soit à l'arrêt complet. Ne jamais tenter d'enlever la meule à tronçonner de la coupe tandis que la meule est en mouvement sinon le rebond peut se produire.** Rechercher et prendre des mesures correctives afin d'empêcher que la meule ne se grippe.

**d) Ne pas reprendre l'opération de coupe dans la pièce à usiner. Laisser la meule atteindre sa pleine vitesse et rentrer avec précaution dans le tronçon.** La meule peut se coincer, venir chevaucher la pièce à usiner ou effectuer un rebond si l'on fait redémarrer l'outil électrique dans la pièce à usiner.

**e) Prévoir un support de panneaux ou de toute pièce à usiner surdimensionnée pour réduire le risque de pincement et de rebond de la meule.** Les grandes pièces à usiner ont tendance à fléchir sous leur propre poids. Les supports doivent être placés sous la pièce à usiner près de la ligne de coupe et près du bord de la pièce des deux côtés de la meule.

**f) Procéder avec une précaution supplémentaire pendant l'exécution d'une « coupe de poche » dans des parois existantes ou dans des zones borgnes.** La meule saillante peut couper des tuyaux de gaz ou d'eau, des câblages électriques ou des objets, ce qui peut entraîner des rebonds.

## Mises en garde de sécurité spécifiques aux opérations de ponçage :

**a) Ne pas utiliser de papier abrasif trop surdimensionné pour les disques de ponçage.** Suivre les recommandations des fabricants, lors du choix du papier abrasif. Un papier abrasif plus grand s'étendant au-delà du patin de ponçage présente un danger de laceration et peut provoquer un accrochage, une déchirure du disque ou un rebond.

## Mises en garde de sécurité spécifiques aux opérations de brossage métallique :

**a) Il convient d'être conscient du fait que les crins de brosse sont maintenus par la brosse même pendant une opération ordinaire. Ne pas surcharger les câbles par l'application d'une charge excessive sur la brosse.** Les crins de brosse peuvent pénétrer aisément dans les vêtements légers et/ou dans la peau.

**b) Si l'utilisation d'un protecteur est recommandée pour le brossage métallique, ne permettre aucune gêne du touret ou de la brosse métallique au protecteur.** Le touret ou la brosse métallique peut se dilater en diamètre en raison de la charge de travail et des forces centrifuges.

## AVIS COMPLÉMENTAIRES DE SÉCURITÉ ET DE TRAVAIL

Toujours vérifier que le bouton de verrouillage de la broche soit entièrement relâché avant d'allumer la machine ! Après avoir utilisé le verrouillage de la broche pour serrer / desserrer le disque abrasif, il est possible que le bouton puisse se bloquer dans la position de verrouillage.

L'usinage des métaux génère des étincelles. Veiller à ce que personne ne soit exposé à un danger. En raison du risque d'incendie, aucune matière inflammable ou combustible ne doit se trouver dans la zone de projection des étincelles. Ne pas utiliser d'aspirateur de poussières.

Éviter que les étincelles et la poussière produites lors du polissage entrent en contact avec le corps.

Ne jamais intervenir dans la zone dangereuse lorsque la machine est en marche.

Ne jamais enlever les copeaux ni les éclats lorsque la machine est en marche.

Arrêter la machine tout de suite lorsqu'il y a des vibrations importantes ou que d'autres défauts surgissent. Contrôler la machine afin d'en trouver les causes.

Dans des conditions extrêmes (p. ex. métaux à meulage doux avec le mandrin et le disque en fibre vulcanisée), des impuretés importantes peuvent s'accumuler à l'intérieur de la meuleuse à matrice.

En raison de risques de court-circuit, veiller à ce qu'aucune pièce métallique ne pénètre dans les ouïes de ventilation.

**AVERTISSEMENT!** Danger de brûlures! Le disque et la pièce usinée deviennent chauds durant l'utilisation. Porter des gants lors du changement de disque ou au contact de la pièce usinée. Garder à tout moment les mains à l'écart de la zone de meulage.

**AVERTISSEMENT!** Pour réduire le risque d'incendie, de blessures corporelles et de dommages cau-sés par un court-circuit, ne jamais immerger l'outil, le bloc-piles ou le chargeur dans un liquide ou laisser couler un fluide à l'intérieur de celui-ci. Les fluides corrosifs ou conducteurs, tels que l'eau de mer, certains produits chimiques industriels, les produits de blanchiment ou de blanchiment, etc., peuvent provoquer un court-circuit.

Ne pas ouvrir les accus interchangeable et les chargeurs et ne les stocker que dans des locaux secs. Les protéger contre l'humidité.

Ne charger les accus interchangeables du système M18 qu'avec le chargeur d'accus du système M18. Ne pas charger des accus d'autres systèmes.



**AVERTISSEMENT!** Cet appareil contient une pile bouton lithium / batterie au lithium. Une batterie neuve ou usagée peut causer de graves brûlures internes et entraîner la mort en moins de 2 heures en cas d'ingestion ou si elle pénètre dans le corps. Fixez toujours le couvercle sur le compartiment de la batterie. S'il ne se ferme pas hermétiquement, arrêtez l'appareil, retirez la batterie et gardez-la hors de la portée des enfants. Si vous pensez que quelqu'un a ingéré la batterie ou que la batterie a pénétré dans le corps, consultez immédiatement un médecin.

## UTILISATION CONFORME AUX PRESCRIPTIONS

La meuleuse d'angle est destinée au meulage et à la coupe de métaux, de pierres, de béton et de matériaux en céramique ainsi qu'au ponçage et au brossage.

Utilisez pour vos découpes le capuchon de coupe que vous trouvez dans la gamme des accessoires.

Utiliser un capot de protection fermé contenu dans le programme d'accessoires pour les travaux de tronçonnage.

Le dispositif électrique est apte exclusivement à travailler à sec.

Seuls les disques abrasifs ou de coupe appropriés et leurs protecteurs associés (protecteur de meulage ou protecteur de coupe) comme décrit dans la section de spécification du produit de ce manuel doivent être placés sur la meuleuse d'angle. La meuleuse d'angle est conçue pour être portée à la main ; elle ne doit pas être montée sur un dispositif de fixation ou un établi.

Ne pas utiliser le produit d'une autre manière que celle indiquée pour l'usage auquel il est destiné.

## RISQUES RÉSIDUELS

Même en cas d'utilisation correcte, il n'est pas possible d'exclure tous les risques résiduels. Lors de l'utilisation, les risques suivants pourront être présents et l'utilisateur devra prêter une attention particulière en vue de les éviter :

- Blessures causées par les vibrations. Tenir le dispositif à l'aide de ses poignées et limiter les temps de travail et d'exposition.
- L'exposition au bruit peut causer des dommages auditifs. Porter une protection auditive et limiter la durée de l'exposition.
- Lésions oculaires causées par des particules de déchets. Toujours porter des lunettes de sécurité, de pantalon long lourd, des gants et des chaussures robustes.
- Inhalation de gaz toxiques.

## REMARQUE CONCERNANT LES ACCUS LI-ION

### Utilisation d'accus Li-Ion

Recharger les accus avant utilisation après une longue période de non utilisation.

Une température supérieure à 50°C amoindrit la capacité des accus. Éviter les expositions prolongées au soleil ou au chauffage. Tenir propres les contacts des accus et des chargeurs. Pour une durée de vie optimale, les accus doivent être chargés à fond après l'utilisation. Pour une plus longue durée de vie, enlever les batteries du chargeur de batterie quand celles-ci seront chargées.

En cas d'entreposage de la batterie pour plus de 30 jours: Entposer la batterie à 27°C environ dans un endroit sec. Entposer la batterie avec une charge d'environ 30% - 50%. Recharger la batterie tous les 6 mois.

### Protection des accus Li-Ion

En cas d'une surcharge de l'accu à cause d'une très haute consommation de courant, par exemple suite à des couples extrêmement élevés, un arrêt soudain ou un court-circuit, l'outil électrique vibre pendant 5 secondes, l'indicateur de charge clignote et l'outil électrique se déconnecte automatiquement.

Pour le ré-enclencher, relâcher le poussoir de l'interrupteur, puis enclencher à nouveau l'appareil. Sous des sollicitations extrêmes, l'accu s'échauffe trop fortement. Dans ce cas, tous les témoins de l'indicateur de charge clignotent jusqu'à ce que l'accu se soit refroidi. Il est possible de continuer à travailler dès que l'indicateur de charge s'est éteint.

### Transport de batteries lithium-ion

Les batteries lithium-ion sont soumises aux dispositions législatives concernant le transport de produits dangereux.

Le transport de ces batteries devra s'effectuer dans le respect des dispositions et des normes locales, nationales et internationales.

Les utilisateurs peuvent transporter ces batteries sans restrictions.

Le transport commercial de batteries lithium-ion est réglé par les dispositions concernant le transport de produits dangereux. La préparation au transport et le transport devront être effectués uniquement par du personnel formé de façon adéquate. Tout le procédé devra être géré d'une manière professionnelle.

Durant le transport de batteries il faut respecter les consignes suivantes :

S'assurer que les contacts soient protégés et isolés en vue d'éviter des courts-circuits.

S'assurer que le groupe de batteries ne puisse pas se déplacer à l'intérieur de son emballage. Des batteries endommagées ou des batteries perdant du liquide ne devront pas être transportées. Pour tout renseignement complémentaire veuillez vous adresser à votre transporteur professionnel.

## CONSIGNES DE TRAVAIL

Sur les machines prévues pour les outils abrasifs à orifice fileté, vérifiez que la profondeur du filetage est suffisante pour la longueur de la broche.

Toujours utiliser et conserver les meules polisseuses et à couper conformément aux indications du fabricant.

Ne jamais travailler sans capot protecteur pour des travaux de tronçonnage et de dégrossissage.

Les disques polisseurs à moyeu déporté devront être montés d'une façon telle que la surface de polissage ne dépasse pas le niveau du protecteur.

L'écrou du flasque doit être serré avant de mettre en marche la machine.

Utiliser toujours la poignée supplémentaire.

La pièce à travailler doit être fortement serrée lorsque son propre poids ne suffit pas à la maintenir. Ne jamais guider la pièce à travailler à la main vers la meule.

L'écrou bridé doit être bien serré avant la mise en marche de la machine. Si l'outil à insertion avec écrou bridé n'est pas bien serré, on risque que l'outil à insertion perde la force nécessaire de serrage lors du freinage.

## PROTECTION SURCHARGE ET RETOUR

Le dispositif est pourvu de protection contre la surcharge, avec arrêt automatique, et contre les contrecoups. Éteignez l'outil électrique puis rallumez-le pour continuer à travailler.

## DÉMARRAGE EN DOUCEUR

Démarrage électronique en douceur garantissant un maniement fiable tout en empêchant un démarrage brusque lors de la mise en marche de la machine.

## SYSTÈME DE FREINAGE

Le frein de rodage s'enclenche lorsque l'interrupteur marche-arrêt est relâché, ce qui provoque l'arrêt de l'outil en quelques secondes.

Veiller à ce que l'outil d'insertion s'arrête complètement avant de le poser.

Par rapport aux outils sans frein de rodage, le temps de rodage est fortement réduit par le freinage.

## ONE-KEY™

Pour en savoir plus sur la fonctionnalité ONE-KEY de cet appareil, lisez les instructions rapides ci-jointes ou rendez-nous visite sur Internet sur <http://www.milwaukeeetool.com/one-key>

Vous pouvez télécharger l'appli ONE-KEY sur votre smartphone via l'App Store ou Google Play.

Les perturbations causées par les décharges électrostatiques interrompent également la communication Bluetooth. Dans ce cas la connexion Bluetooth devra être rétablie manuellement. Les résultats d'essai répondent à nos exigences min. suivant EN 55014-2 / EN 301 489-1 / EN 301 489-17.

## LAVAGE

Tenir toujours propres les orifices de ventilation de la machine.

## ENTRETIEN

Utiliser uniquement les accessoires Milwaukee et les pièces détachées Milwaukee. Faire remplacer les composants dont le remplacement n'a pas été décrit, par un des centres de service après-vente Milwaukee (observer la brochure avec les adresses de garantie et de service après-vente).

Si besoin est, une vue éclatée de l'appareil peut être fournie. S'adresser, en indiquant bien le numéro porté sur la plaque signalétique, à votre station de service après-vente (voir liste jointe) ou directement à Techtronic Industries GmbH, Max-Eyth-Straße 10, 71364 Winnenden, Germany.

## SYMBOLES



Veillez lire avec soin le mode d'emploi avant la mise en service



ATTENTION! AVERTISSEMENT! DANGER!



Avant tous travaux sur l'appareil retirer l'accu interchangeable.



Ne pas ingérer des batteries bouton.



Ne pas utiliser le protecteur pour les opérations de coupe.



Ne pas appliquer de la force.



Appliquer la force.



Toujours porter des lunettes protectrices en travaillant avec la machine.



Portez une protection acoustique.



Porter un masque de protection approprié contre les poussières.



Porter des gants de protection!



Toujours opérer à deux mains.



Seulement pour des travaux de polissage.



Seulement pour des travaux de coupe.



Prendre garde à l'épaisseur de disque autorisée.



Accessoires - Ces pièces ne font pas partie de la livraison. Il s'agit là de compléments recommandés pour votre machine et énumérés dans le catalogue des accessoires.



Les dispositifs électriques, les batteries et les batteries rechargeables ne sont pas à éliminer dans les déchets ménagers. Les dispositifs électriques et les batteries sont à collecter séparément et à remettre à un centre de recyclage en vue de leur élimination dans le respect de l'environnement. S'adresser aux autorités locales ou au détaillant spécialisé en vue de connaître l'emplacement des centres de recyclage et des points de collecte.

**n**

Vitesse de rotation nominale

**v**

Tension



Courant continu



Marque de conformité européenne



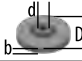
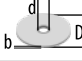


Marque de conformité britannique



Marque de conformité ukrainienne



Marque de conformité d'Eurasie

DATI TECNICI	M18 ONEFLAG230XPDB
Tipo di costruzione	Smerigliatrice a batteria
Numero di serie	4835 68 01 XXXXXX MJJJJ
Tensione batteria	18 V =
Banda (bande) di frequenza Bluetooth	2400 - 2483,5 MHz
Potenza ad alta frequenza	2 dBm
Versione Bluetooth	4.2 BT signal mode
Numero giri nominale	6600 min <sup>-1</sup>
Passo attacco codolo	M14
D=Diametro disco abrasivo max.	230 mm
d=Diametro Foro	22,2 mm
 b=Spessore disco levigatore max.	8 mm
 b=Spessore disco di taglio max. / min.	3 mm / 1,9 mm
 D=Diametro del disco abrasivo max.	230 mm
 D=Diametro spazzola metallica max.	100 mm

Peso secondo la procedura EPTA 01/2014 (Li-Ion 2,0 Ah ... 12,0 Ah)	4,2 ... 5,4 kg
Temperatura ambiente consigliata per il funzionamento	-18 ... +50 °C
Batterie consigliate	M18B...; M18HB...
Caricatori consigliati	M12-18...; M1418C6

**Informazioni sulla rumorosità:** Valori misurati conformemente alla norma EN 60745.

La misurazione A del livello di pressione acustica dell'utensile è di solito di:

Livello di rumorosità / Incertezza della misura K	88,4 dB (A) / 3 dB (A)
Potenza della rumorosità / Incertezza della misura K	99,4 dB (A) / 3 dB (A)

**Utilizzare le protezioni per l'udito!**

**Informazioni sulle vibrazioni:** Valori totali delle oscillazioni (somma di vettori in tre direzionmisurati conformemente alla norma EN 60745

Valore di emissione dell'oscillazione a <sub>n</sub> / Incertezza della misura K	
Smerigliatura di superfici	5,5 m/s <sup>2</sup> / 1,5 m/s <sup>2</sup>
Levigatura con foglio abrasivo	3,2 m/s <sup>2</sup> / 1,5 m/s <sup>2</sup>

Per altre applicazioni, come ad esempio troncatura alla mola o la molatura con spazzola d'acciaio, possono essere prodotti altri livelli di vibrazione!

## AVVERTENZA!

Il/i valore/i di emissione acustica riportato/i in questa scheda informativa sono stati misurati conformemente a un metodo di prova standard sulla base della norma EN 60745 e possono essere utilizzati per confrontare gli utensili tra loro. Può/possono essere utilizzato/i anche per una valutazione preliminare dell'esposizione.

Il livello di vibrazione ed emissione acustica dichiarato rappresenta le applicazioni principali dell'utensile. Tuttavia, se l'utensile è utilizzato per applicazioni diverse, con accessori differenti o una manutenzione non adeguata, la vibrazione e l'emissione acustica potrebbero variare. Ciò può aumentare significativamente il livello di esposizione durante l'intera durata del lavoro.

Una stima del livello di esposizione alle vibrazioni e al rumore dovrebbe tenere conto anche dei periodi in cui l'utensile è spento o è in funzione ma non sta lavorando. Ciò può ridurre significativamente il livello di esposizione durante l'intera durata del lavoro.

Identificare le misure di sicurezza supplementari per proteggere l'operatore dagli effetti delle vibrazioni e/o del rumore, ad esempio eseguendo la manutenzione dell'utensile e degli accessori, mantenendo le mani calde e organizzando gli schemi di lavoro.

**AVVERTENZA!** E' necessario leggere tutte le indicazioni di sicurezza e le istruzioni. In caso di mancato rispetto delle avvertenze di pericolo e delle istruzioni operative si potrà creare il pericolo di scosse elettriche, incendi e/o incidenti gravi.

**Conservare tutte le avvertenze di pericolo e le istruzioni operative per ogni esigenza futura.**

## INDICAZIONI DI SICUREZZA PER LA SMERIGLIATRICE ANGOLARE

**Istruzioni di sicurezza generali per lavori di levigatura, levigatura con carta vetrata, lavori con spazzole metalliche, troncatura:**

**a) Questo elettroutensile è previsto per essere utilizzato come levigatrice, levigatrice per carta a vetro, spazzola metallica e troncatrice. Attenersi a tutte le avvertenze di pericolo, istruzioni, rappresentazioni e dati che si ricevono insieme all' elettroutensile.**

In caso di mancata osservanza delle seguenti istruzioni vi è il pericolo di provocare una scossa elettrica, di sviluppare incendi e/o di provocare seri incidenti.

**b) Questo attrezzo elettrico non è idoneo per la lucidatura.** Qualsiasi utilizzo non previsto con il presente attrezzo elettrico può causare pericolo e lesioni.

**c) Non utilizzare nessun accessorio che la casa costruttrice non abbia esplicitamente previsto e raccomandato per questo elettroutensile.** Il semplice fatto che un accessorio possa essere fissato al Vostro elettroutensile non è una garanzia per un impiego sicuro.

**d) Il numero di giri ammesso dell'accessorio impiegato deve essere almeno tanto alto quanto il numero massimo di giri riportato sull'elettroutensile.** Un accessorio che gira più rapidamente di quanto consentito può rompersi in vari pezzi e venir lanciato intorno.

**e) Il diametro esterno e lo spessore dell'accessorio montato devono corrispondere ai dati delle dimensioni dell'elettroutensile in dotazione.** In caso di utilizzo di portautensili e di accessori di dimensioni sbagliate non sarà possibile schermanli oppure controllarli a sufficienza.

**f) Le filettature degli accessori devono coincidere con la filettatura del mandrino portamola. Sugli accessori con fissaggio a flangia il foro per il mandrino di montaggio deve coincidere con il diametro della flangia di fissaggio.** Accessori non adatti al mandrino di fissaggio del dispositivo si muoveranno in maniera eccentrica, vibreranno eccessivamente e potranno comportare la perdita del controllo sull'utensile.

**g) Non utilizzare mai portautensili od accessori danneggiati.** Prima di ogni utilizzo controllare i portautensili e gli accessori ed accertarsi che sui dischi abrasivi non vi siano scheggiature o crepature, che il platello non sia soggetto ad incrinature, crepature o forte usura e che le spazzole metalliche non abbiano fili metallici allentati oppure rotti. Se l'elettroutensile oppure l'accessorio impiegato dovesse sfuggire dalla mano e cadere, accertarsi che questo non abbia subito nessun danno oppure utilizzare un accessorio intatto. Una volta controllato e montato il portautensili o accessorio, far funzionare l'elettroutensile per la durata di un minuto con il numero massimo di giri avendo cura di tenersi lontani e di impedire anche ad altre persone presenti di avvicinarsi al portautensili o accessorio in rotazione. Nella maggior parte dei casi i portautensili o accessori danneggiati si rompono nel corso di questo periodo di prova.

**h) Indossare abbigliamento di protezione. A seconda dell'applicazione in corso utilizzare una visiera completa, maschera di protezione per gli occhi oppure occhiali di sicurezza. Per quanto necessario, portare maschere per polveri, protezione acustica, guanti di protezione oppure un grembiule speciale in grado di proteggervi da piccole particelle di levigatura o di materiale.** Gli occhi dovrebbero essere protetti da corpi estranei espulsi in aria nel corso di diverse applicazioni. La maschera antipolvere e la maschera respiratoria devono essere in grado di filtrare la polvere provocata durante l'applicazione. Esponendosi per lungo tempo ad un rumore troppo forte vi è il pericolo di perdere l'udito.

**i) Avere cura di evitare che altre persone possano avvicinarsi alla zona in cui si sta lavorando. Ogni persona che entra nella zona di operazione deve indossare un abbigliamento protettivo personale.** Frammenti del pezzo in lavorazione oppure utensili rotti possono volar via oppure provocare incidenti anche al di fuori della zona diretta di lavoro.

**j) Impugnare l'apparecchio sulle superfici di tenuta isolate mentre si eseguono lavori durante i quali l'utensile da taglio potrebbe entrare in contatto con cavi di corrente.** L'eventuale contatto dell'utensile da taglio con un cavo sotto tensione potrebbe mettere sotto tensione le parti metalliche dell'apparecchio e provocare una folgorazione.

**k) Non depositare mai l'utensile elettrico, prima che questo non si sia fermato completamente.** L'utensile in rotazione può entrare in contatto con la superficie di appoggio facendovi perdere il controllo sulla macchina pneumatica.

**l) Mai trasportare l'elettroutensile mentre questo dovesse essere ancora in funzione.** Attraverso un contatto casuale l'utensile in rotazione potrebbe fare presa sugli indumenti oppure sui capelli dell'operatore e potrebbe arrivare a ferire seriamente il corpo dell'operatore.

**m) Pulire regolarmente le feritoie di ventilazione dell'elettroutensile in dotazione.** Il ventilatore del motore attira polvere nella carcassa ed una forte raccolta di polvere di metallo può provocare pericoli di origine elettrica.

**n) Non utilizzare mai l'elettroutensile nelle vicinanze di materiali infiammabili.** Le scintille possono far prendere fuoco questi materiali.

**o) Non utilizzare mai accessori che richiedano refrigeranti liquidi.** L'utilizzo di acqua o di altri liquidi refrigeranti può provocare una scossa di corrente elettrica.

## Contraccolpo e relative avvertenze di pericolo

Un contraccolpo è l'improvvisa reazione in seguito ad agganciamento oppure blocco di accessorio in rotazione come può essere un disco abrasivo, platello, spazzola metallica ecc. Agganciandosi oppure bloccandosi il portautensili o accessorio provoca un arresto improvviso della rotazione dello stesso. In questo caso l'operatore non è più in grado di controllare l'elettroutensile ed al punto di blocco si provoca un rimbalzo dello stesso che avviene nella direzione opposta a quella della rotazione del portautensili o dell'accessorio.

Se p. es. un disco abrasivo resta agganciato o bloccato nel pezzo in lavorazione, il bordo del disco abrasivo che si abbassa nel pezzo in lavorazione può rimanere impigliato provocando in questo modo una rottura oppure un contraccolpo del disco abrasivo. Il disco abrasivo si avvicina o si allontana dall'operatore a seconda della direzione di rotazione che ha nel momento in cui si blocca. In tali situazioni è possibile che le mole abrasive possano anche rompersi.

Un contraccolpo è la conseguenza di un utilizzo non appropriato oppure non corretto dell'elettroutensile. Esso può essere evitato soltanto prendendo misure adatte di sicurezza come dalla descrizione che segue.

**a) Tenere sempre ben saldo l'elettroutensile e portare il proprio corpo e le proprie braccia in una posizione che Vi permetta di compensare le forze di contraccolpo. Se disponibile, utilizzare sempre l'impugnatura supplementare in modo da poter avere sempre il maggior controllo possibile su forze di contraccolpi oppure momenti di reazione che si sviluppano durante la fase in cui la macchina raggiunge il regime di pieno carico.** Prendendo appropriate misure di precauzione l'operatore può essere in grado di tenere sotto controllo le forze di contraccolpo e quelle di reazione a scatti.

**b) Mai avvicinare la propria mano alla zona degli utensili in rotazione.** L'accessorio potrebbe rimbalzare sulla vostra mano.

**c) Evitare di avvicinarsi con il proprio corpo alla zona in cui l'elettroutensile viene mosso in caso di un contraccolpo.** Un contraccolpo provoca uno spostamento improvviso dell'elettroutensile che si sviluppa nella direzione opposta a quella della rotazione della mola abrasiva al punto di blocco.

**d) Operare con particolare attenzione in prossimità di spigoli, spigoli taglienti ecc.. Avere cura di impedire che portautensili o accessori possano rimbalzare dal pezzo in lavorazione oppure possano rimanervi bloccati.** L'utensile in rotazione ha la tendenza a rimanere bloccato in angoli, spigoli taglienti oppure in caso di rimbalzo. Ciò provoca una perdita del controllo oppure un contraccolpo.

**e) Non utilizzare una lama a catena oppure dentata.** Utensili di questo tipo causano spesso contraccolpi oppure comportano la perdita del controllo sull'utensile elettrico.

## Particolari avvertenze di pericolo per operazioni di levigatura e di troncatura

**a) Utilizzare esclusivamente utensili abrasivi che siano esplicitamente ammessi per l'elettrotensile in dotazione e sempre in combinazione con la cuffia di protezione prevista per ogni utensile abrasivo.** Utensili abrasivi che non sono previsti per l'elettrotensile non possono essere sufficientemente schermati e sono insicuri.

**b) I dischi levigatori con centro ribassato devono essere montati in maniera tale che la loro superficie di molatura non sporga oltre il livello del bordo della cuffia di protezione.** Un disco levigatore montato non correttamente che sporga oltre il livello del bordo della cuffia di protezione non potrà essere sufficientemente schermato.

**c) Utilizzare sempre la cuffia di protezione prevista per il tipo di utensile abrasivo utilizzato.** La cuffia di protezione deve essere applicata con sicurezza all'elettrotensile e regolata in modo tale da poter garantire il massimo possibile di sicurezza, cioè, che la parte dell'utensile abrasivo che senza protezione indica verso l'operatore deve essere ridotta al minimo possibile. La protezione consente di proteggere l'utente dai frammenti del disco rotto, dal contatto accidentale con il disco e dalle scintille che potrebbero dare alla fiamme gli indumenti.

**d) Utensili abrasivi possono essere utilizzati esclusivamente per le possibilità applicative esplicitamente raccomandate. P. es.: Mai eseguire lavori di levigatura con la superficie laterale di un disco abrasivo da taglio diritto.** Mole abrasive da taglio diritto sono previste per l'asportazione di materiale con il bordo del disco. Esercitando dei carichi laterali su questi utensili abrasivi vi è il pericolo di romperli.

**e) Per la mola abrasiva selezionata, utilizzare sempre flange di serraggio che siano in perfetto stato e che siano della corretta dimensione e forma.** Flange adatte hanno una funzione di corretto supporto della mola abrasiva riducendo il più possibile il pericolo di una rottura della mola abrasiva. È possibile che vi sia una differenza tra flange per mole abrasive da taglio diritto e flange per mole abrasive di altro tipo.

**f) Non utilizzare mai mole abrasive usurate previste per elettrotensili più grandi.** Mole abrasive previste per elettrotensili più grandi non sono concepite per le maggiori velocità di elettrotensili più piccoli e possono rompersi.

## Ulteriori avvertenze di pericolo specifiche per lavori di troncatura

**a) Evite que se bloquee el disco tronizador y una presión de aplicación excesiva. No intente realizar cortes demasiado profundos.** Sottoponendo la mola da taglio diritto a carico eccessivo se ne aumenta la sollecitazione e la si rende maggiormente soggetta ad angolature improprie o a blocchi venendo così a creare il pericolo di contraccolpo oppure di rottura dell'utensile abrasivo.

**b) Evitare di avvicinarsi alla zona anteriore o posteriore al disco abrasivo da taglio in rotazione.** Quando l'operatore manovra la mola da taglio diritto nel pezzo in lavorazione in direzione opposta a quella della propria persona, può capitare che in caso di un contraccolpo il disco in rotazione faccia rimbalzare con violenza l'elettrotensile verso l'operatore.

**c) Qualora il disco abrasivo da taglio diritto dovesse incepparsi oppure si dovesse interrompere il lavoro, spegnere l'elettrotensile e tenerlo fermo fino a quando il disco si sarà fermato completamente. Non tentare mai di estrarre il disco abrasivo dal taglio in esecuzione perché si potrebbe provocare un contraccolpo.** Rilevare ed eliminare la causa per il blocco.

**d) Mai rimettere l'elettrotensile in funzione fintanto che esso si trovi ancora nel pezzo in lavorazione. Prima di continuare ad eseguire il taglio procedendo con la dovuta attenzione, attendere che il disco abrasivo da taglio diritto abbia raggiunto la massima velocità.** In caso contrario è possibile che il disco resti agganciato, sbalzi dal pezzo in lavorazione oppure provochi un contraccolpo.

**e) Dotare di un supporto adatto pannelli oppure pezzi in lavorazione di dimensioni maggiori in modo da ridurre il rischio di un contraccolpo dovuto ad un disco abrasivo da taglio diritto che rimane bloccato.** Pezzi in lavorazione di dimensioni maggiori possono piegarsi sotto l'effetto del proprio peso. Provvedere a munire il pezzo in lavorazione di supporti adatti al caso specifico sia nelle vicinanze del taglio di troncatura che in quelle del bordo.

**f) Operare con particolare cautela in presenza di "tagli ciechi" in pareti esistenti o altre zone non ispezionabili.** Il disco abrasivo da taglio diritto che inizia il taglio sul materiale può provocare un contraccolpo se dovesse arrivare a troncare condutture del gas o dell'acqua, linee elettriche oppure oggetti di altro tipo.

## Avvertenze di pericolo specifiche per lavori di levigatura con carta vetro:

**a) Non utilizzare mai fogli abrasivi troppo grandi ma attenersi alle indicazioni del rispettivo produttore relative alle dimensioni dei fogli abrasivi.** Fogli abrasivi che dovessero sporgere oltre il platorello possono provocare incidenti oppure blocchi, strappi dei fogli abrasivi oppure contraccolpi.

## Avvertenze di pericolo specifiche per lavori con spazzole metalliche:

**a) Tenere presente che le spazzole di fili metallici perdono frammenti di filo di metallo anche durante un uso normale. Non sovraccaricare i fili metallici esercitando una eccessiva pressione.** I frammenti di fili metallici eietati potrebbero facilmente penetrare attraverso abbigliamento leggero e/o la pelle.

**b) Impiegando una cuffia di protezione si impedisce che la cuffia di protezione e la spazzola metallica possano toccarsi.** I diametri delle spazzole a disco e delle spazzola a tazza possono essere aumentati attraverso forze di pressione e tramite l'azione di forze centrifugali.

## ULTERIORI AVVISI DI SICUREZZA E DI LAVORO

Controllare sempre se il pulsante del blocco dell'alberino è completamente rilasciato prima di accendere lo strumento! Dopo aver usato il blocco dell'alberino per serrare / allentare il disco abrasivo, è possibile che il pulsante sia in posizione di blocco.

Smerigliando metalli si producono scintille. Attenzione a non mettere in pericolo l'incolumità di persone. Per via del pericolo di incendio, nessun tipo di materiale infiammabile può trovarsi nelle vicinanze (potenziale raggio delle scintille). Non utilizzare aspirapolveri.

Evitare che le scintille o la polvere prodotta durante la smerigliatura entrino in contatto con il corpo.

Non entrare nel raggio d'azione dell'utensile mentre è in funzione.

Non rimuovere trucioli o schegge mentre l'utensile è in funzione.

Disinserire immediatamente la macchina in caso che si verificano delle forti oscillazioni oppure se si riscontrano altri difetti. Controllare la macchina per cercare di identificarne le cause.

In condizioni estreme (ad es. rettifica delicata dei metalli con il mandrino e la mola in fibra vulcanizzata), una contaminazione significativa può accumularsi all'interno della smerigliatrice per stampi.

Non lasciare che nessuna parte metallica venga a contatto con l'apertura dell'areazione - pericolo di corto circuito

**AVVERTENZA!** Pericolo di ustioni! Il disco e il pezzo in lavorazione diventano roventi durante l'uso. Indossare guanti durante la sostituzione dei dischi o quando si toccano i pezzi da lavorare. Tenere sempre le mani lontano dall'area di rettifica.

**AVVERTENZA!** Per ridurre il rischio d'incendio, di lesioni o di danni al prodotto causati da corto circuito, non immergere mai l'utensile, la batteria ricaricabile o la carica batterie in un liquido e non lasciare mai penetrare alcun liquido all'interno dei dispositivi e delle batterie. I fluidi corrosivi o conduttori come acqua salata, alcuni agenti chimici, agenti candeggianti o prodotti contenenti agenti candeggianti potrebbero provocare un corto circuito.

Non aprire né la batteria né il caricatore e conservarli solo in luogo asciutto. Proteggerli dalla umidità.

Le batterie del System M18 sono ricaricabili esclusivamente con i caricatori del System M18. Le batterie di altri sistemi non possono essere ricaricate.



**AVVERTENZA!** Questo dispositivo contiene una batteria a bottone al litio. Una batteria nuova o usata può causare ustioni interne gravi e causare la morte in 2 ore se ingerita o se penetra nell'organismo. Assicurare sempre il coperchio sullo scomparto batterie. Se non si chiude saldamente, arrestare il dispositivo, rimuovere la batteria e tenerla lontano dalla portata dei bambini. Se credete che qualcuno abbia ingerito la batteria, o che la stessa sia entrata in altro modo nell'organismo di qualcuno, cercate immediatamente assistenza medica.

## UTILIZZO CONFORME

La smerigliatrice serve a rettificare e tagliare metallo, pietra, calcestruzzo e materiali in ceramica, nonché per eseguire operazioni di sabbatura e spazzolatura con spazzola metallica.

Utilizzare il tappo del taglio dalla gamma di accessori per applicazioni da taglio.

In caso di dubbi vanno rispettate le indicazioni dei produttori degli accessori.

L'utensile elettrico è idoneo esclusivamente alla lavorazione a secco.

Si raccomanda di fissare nella smerigliatrice solo dischi per molare e dischi di taglio, assieme alle relative protezioni (protezione di rettifica o di taglio), come descritto nella sezione del presente manuale inerente alla specifiche del prodotto. La smerigliatrice è progettata per essere usata a mano; non deve essere montata su un apparecchio o su un banco da lavoro.

Non utilizzare il prodotto in altri modi diversi da quelli indicati per l'uso previsto.

## RISCHI RESIDUI

Anche in caso di utilizzo corretto non è possibile escludere tutti i rischi residui. Durante l'uso possono esistere i seguenti pericoli e l'utilizzatore deve porre particolare attenzione per evitarli:

- Lesioni causate da vibrazioni. Tenere il dispositivo sulle apposite impugnature e limitare i tempi di lavoro e di esposizione.
- L'esposizione al rumore può causare danni all'udito. Indossare una protezione per l'udito e limitare la durata dell'esposizione.
- Lesioni agli occhi causate da particelle di detriti. Indossare sempre occhiali di protezione, pantaloni lunghi pesanti, guanti e scarpe robuste.
- Inalazione di polveri tossiche.

## NOTE PER BATTERIE AGLI IONI DI LITIO

### Uso di batterie agli ioni di litio

Batterie non utilizzate per molto tempo devono essere ricaricate prima dell'uso.

A temperature superiori ai 50°C, la potenza della batteria si riduce. Evitare di esporre l'accumulatore a surriscaldamento prolungato, dovuto ad esempio ai raggi del sole o ad un impianto di riscaldamento.

Per una ottimale vita utile è necessario ricaricare completamente le batterie dopo l'uso.

Per una più lunga durata, rimuovere le batterie dal caricabatterie quando saranno cariche.

In caso di immagazzinaggio della batteria per più di 30 giorni: immagazzinare la batteria a circa 27°C in ambiente asciutto. Immagazzinare la batteria con carica di circa il 30% - 50%. Ricaricare la batteria ogni 6 mesi.

### Protezione contro il sovraccarico di batterie agli ioni di litio

In caso di sovraccarico dell'accumulatore dovuto ad un consumo molto elevato di corrente, ad es. momenti di coppia estremamente elevati, arresto improvviso o corto circuito, l'utensile elettrico vibra per 5 secondi, il display di carica lampeggia e l'elettrotensile si spegne automaticamente.

Per riaccenderlo rilasciare l'interruttore e poi riaccenderlo. Se sottoposto a sollecitazioni estreme l'accumulatore si riscalda eccessivamente. In questo caso lampeggiano tutte le spie del display di carica finché l'accumulatore non è raffreddato. Quando il display di carica si spegne si può continuare a lavorare.

### Trasporto di batterie agli ioni di litio

Le batterie agli ioni di litio sono soggette alle disposizioni di legge sul trasporto di merce pericolosa.

Il trasporto di queste batterie deve avvenire rispettando le disposizioni e norme locali, nazionali ed internazionali.

Gli utilizzatori possono trasportare queste batterie su strada senza alcuna restrizione.

Il trasporto commerciale di batterie agli ioni di litio è regolato dalle disposizioni sul trasporto di merce pericolosa. Le preparazioni al trasporto ed il trasporto stesso devono essere svolti esclusivamente da persone idoneamente istruite. Tutto il processo deve essere gestito in maniera professionale.

Durante il trasporto di batterie occorre tenere conto di quanto segue:

Assicurarsi che i contatti siano protetti ed isolati per evitare corto circuiti.

Accertarsi che il gruppo di batterie non possa spostarsi all'interno dell'imballaggio. Batterie danneggiate o batterie che perdono liquido non devono essere trasportate. Per ulteriori informazioni si prega di contattare il proprio trasportatore.

## ISTRUZIONI DI LAVORO

Per gli utensili previsti per il montaggio con mola con foro filettato, verificare che la filettatura della mola sia sufficientemente lunga da consentire l'inserimento del mandrino.

Utilizzare e conservare le mole smerigliatrici e da taglio sempre conformemente alle indicazioni della casa costruttrice.

Per sgrassare e tagliare utilizzare sempre la calotta di protezione.

I dischi levigatori con centro ribassato devono essere montati in maniera tale che la loro superficie di molatura non sporga oltre il livello del bordo della cuffia di protezione.

Il dado flangiato deve essere serrato prima dell'utilizzo della macchina.

Utilizzare sempre l'impugnatura laterale.

Il pezzo in lavorazione deve essere ben bloccato in posizione a meno che non resti stabile per via del proprio peso. Mai applicare a mano sulla mola il pezzo in lavorazione.

Il dado flangiato deve essere ben serrato prima dell'avvio della macchina. Se l'utensile ad inserto con dado flangiato non viene serrato bene, esiste il rischio che l'utensile ad inserto perda la necessaria forza di serraggio durante la frenatura.

## PROTEZIONE DA SOVRACCARICO E CONTRACCOLPO

Il dispositivo è provvisto di protezione contro il sovraccarico, con arresto automatico, e contro i contraccolpi. Spegnere l'elettrotensile e poi riaccenderlo per riprendere il lavoro.

## AVVIAMENTO GRADUALE

Avviamento elettronico graduale, non brusco, per garantire una presa più sicura

## SISTEMA DI FRENATURA

Il freno ad inerzia si aziona quando viene rilasciato l'interruttore On/Off, fermando l'utensile in pochi secondi.

Prima di appoggiarlo, assicurarsi che l'utensile di inserimento si sia arrestato completamente.

A differenza degli utensili senza un freno ad inerzia, il tempo di inerzia sarà notevolmente ridotto dalla frenata.

**ONE-KEY™**

Per saperne di più sulla funzionalità ONE-KEY che permette di comandare questo dispositivo con un solo comando, consultare la guida rapida inclusa in questo prodotto o andare su <http://www.milwaukee.com/one-key>

È possibile scaricare sullo smartphone l'app ONE-KEY dall'App Store o da Google Play.

I disturbi causati da scariche elettrostatiche interrompono anche la comunicazione Bluetooth. In questo caso il collegamento Bluetooth dovrà essere ripristinato manualmente. I risultati di collaudo corrispondono ai nostri requisiti minimi secondo EN 55014-2 / EN 301 489-1 / EN 301 489-17.

**LAVAGGIO E PULIZIA**

Tener sempre ben pulite le fessure di ventilazione dell'apparecchio.

**MANUTENZIONE**

Usare solo accessori Milwaukee e pezzi di ricambio Milwaukee. Gruppi costruttivi la cui sostituzione non è stata descritta, devono essere fatti cambiare da un punto di servizio di assistenza tecnica al cliente Milwaukee (vedi depliant garanzia/indirizzi assistenza tecnica ai clienti).

In caso di mancanza del disegno esploso, può essere richiesto al seguente indirizzo: Techtronic Industries GmbH, Max-Eyth-Straße 10, 71364 Winnenden, Germany.

**SIMBOLI**

	Leggere attentamente le istruzioni per l'uso prima di mettere in funzione l'elettrostrumento.
	ATTENZIONE! AVVERTENZA! PERICOLO!
	Prima di iniziare togliere la batteria dalla apparecchio.
	Non ingerire batterie a bottone!
	Non usare la protezione per operazioni di taglio.
	Non applicare forza.
	Applicare la forza.
	Durante l'uso dell'apparecchio utilizzare sempre gli occhiali di protezione.
	Indossare protezioni acustiche adeguate.
	Portare un'adeguata mascherina protettiva.
	Indossare guanti protettivi!

	Usare l'utensile sempre con due mani.
	Solo per lavori di smerigliatura.
	Solo per lavori di taglio.
	Prestare attenzione allo spessore consentito del disco.
	Accessorio - Non incluso nella dotazione standard, disponibile a parte come accessorio.
	I dispositivi elettrici, le batterie e le batterie ricaricabili non devono essere smaltiti con i rifiuti domestici. I dispositivi elettrici e le batterie devono essere raccolti separatamente e devono essere conferiti ad un centro di riciclaggio per lo smaltimento rispettoso dell'ambiente. Chiedere alle autorità locali o al rivenditore specializzato dove si trovano i centri di riciclaggio e i punti di raccolta.
<b>n</b>	Numero giri nominale
<b>v</b>	Voltaggio
	Corrente continua
	Marchio di conformità europeo
	Marchio di conformità britannico
	Marchio di conformità ucraino
	Marchio di conformità euroasiatico

**DATOS TÉCNICOS**

M18 ONEFLAG230XPDB	
Tipo de construcción	Amoladora Angular a Batería
Número de producción	4835 68 01 XXXXXX MJJJJ
Voltaje de batería	18 V $\equiv$
Banda(s) de frecuencia Bluetooth	2400 - 2483,5 MHz
Potencia de alta frecuencia	2 dBm
Versión Bluetooth	4.2 BT signal mode
Revoluciones nominales	6600 min <sup>-1</sup>
Rosca de eje de trabajo	M14
D=Diám. disco de amolado máx.	230 mm
d=Ø del taladro	22,2 mm

	b=Espesor del disco abrasivo máx.	8 mm
--	-----------------------------------	------

	b=espesor de la muela de tronzar máx. / mín.	3 mm / 1,9 mm
--	--	---------------

	D=Diámetro del disco de lijado máx.	230 mm
--	-------------------------------------	--------

	D=Diámetro de los cepillos metálicos máx.	100 mm
--	---	--------

Peso de acuerdo con el procedimiento EPTA 01/2014 (Li-Ion 2,0 Ah ... 12,0 Ah)	4,2 ... 5,4 kg
Temperatura ambiente recomendada para la operación	-18 ... +50 °C
Juegos de baterías recomendados	M18B...; M18HB...
Cargadores recomendados	M12-18...; M1418C6

**Información sobre ruidos:** Determinación de los valores de medición según norma EN 60745. El nivel de ruido típico del aparato determinado con un filtro A corresponde a:

Presión acústica / Tolerancia K	88,4 dB (A) / 3 dB (A)
Resonancia acústica / Tolerancia K	99,4 dB (A) / 3 dB (A)

**Usar protectores auditivos!**

**Informaciones sobre vibraciones:** Nivel total de vibraciones (suma vectorial de tres direcciones) determinado según EN 60745.

Valor de vibraciones generadas a <sub>n</sub> / Tolerancia K	5,5 m/s <sup>2</sup> / 1,5 m/s <sup>2</sup> 3,2 m/s <sup>2</sup> / 1,5 m/s <sup>2</sup>
--	--

En el caso de otras aplicaciones, como p. ej. el tronzamiento con la muela o el esmerilado con cepillo de alambre de acero pueden resultar otros valores de vibración.

**⚠ ADVERTENCIA!**

El nivel de emisión de ruido y vibración indicado en esta hoja informativa se ha medido de acuerdo con una prueba estandarizada que figura en EN 60745 y se puede usar para comparar una herramienta con otra. Puede ser empleado para una evaluación preliminar de la exposición.

El nivel declarado emisión de vibración y ruido representa las principales aplicaciones de la herramienta. Sin embargo, si la herramienta se utiliza para diferentes aplicaciones, con diferentes accesorios o con un mantenimiento deficiente, la emisión de ruido y vibración puede diferir. Esto puede aumentar significativamente el nivel de exposición durante el periodo total de trabajo.

También se debe tener en cuenta una estimación del nivel de exposición a la vibración y el ruido cuando la herramienta está apagada o cuando está funcionando, pero no está haciendo su trabajo. Esto puede reducir significativamente el nivel de exposición durante el periodo total de trabajo.

Identifique medidas de seguridad adicionales para proteger al operador de los efectos de la vibración o el ruido, como realizar mantenimiento de la herramienta y los accesorios, mantener las manos calientes y organizar las pautas de trabajo.

**⚠ ADVERTENCIA!** Rogamos leer las indicaciones de seguridad y las instrucciones. En caso de no atenerse a las advertencias de peligro e instrucciones siguientes, ello puede ocasionar una descarga eléctrica, un incendio y/o lesión grave.

**Guardar todas las advertencias de peligro e instrucciones para futuras consultas.**

**INSTRUCCIONES DE SEGURIDAD PARA LA AMOLADORA DE ÁNGULO**

**Advertencias de peligro generales al realizar trabajos de amolado, lijado, con cepillos de alambre, tronzado:**

**a) Esta herramienta eléctrica ha sido concebida para amolar, lijar, trabajar con cepillos de alambre y tronzar. Observe todas las advertencias de peligro, instrucciones, ilustraciones y especificaciones técnicas que se suministran con la herramienta eléctrica.**

En caso de no atenderse a las instrucciones siguientes, ello puede provocar una electrocución, incendio y/o lesiones serias.

**b) Esta herramienta eléctrica no es adecuada para pulir.** El uso de la herramienta para un fin no previsto puede conllevar riesgos y causar heridas.

**c) No emplee accesorios diferentes de aquellos que el fabricante haya previsto o recomendado especialmente para esta herramienta eléctrica.** El mero hecho de que sea acoplable un accesorio a su herramienta eléctrica no implica que su utilización resulte segura.

**d) Las revoluciones admisibles del útil deberán ser como mínimo iguales a las revoluciones máximas indicadas en la herramienta eléctrica.** Aquellos accesorios que giren a unas revoluciones mayores a las admisibles pueden llegar a romperse y salir despedidos.

**e) El diámetro exterior y el grosor del útil deberán corresponder con las medidas indicadas para su herramienta eléctrica.** Los útiles de dimensiones incorrectas no pueden protegerse ni controlarse con suficiente seguridad.

**f) Las roscas de los accesorios deben concordar con las roscas del husillo portamuela.** En los accesorios que se sujetan por bridas, el agujero para el mandril de sujeción debe concordar con el accesorio con el diámetro de la brida de localización. Los accesorios que no se acoplen perfectamente en el mandril de montaje del aparato se desequilibran, vibran excesivamente y pueden causar la pérdida de control sobre la herramienta.

**g) No use útiles dañados.** Antes de cada uso inspeccione el estado de los útiles con el fin de detectar, p. ej., si están desportillados o fisurados los útiles de amolar, si está agrietado o muy desgastado el plato lijador, o si las púas de los cepillos de alambre están flojas o rotas. Si se cae la herramienta eléctrica o el útil, inspeccione si han sufrido algún daño o monte otro útil en correctas condiciones. Una vez controlado y montado el útil sitúese Vd. y las personas circundantes fuera del plano de rotación del útil y deje funcionar la herramienta eléctrica en vacío, a las revoluciones máximas, durante un minuto. Por lo regular, aquellos útiles que estén dañados suelen romperse al realizar esta comprobación.

**h) Utilice un equipo de protección personal.** Dependiendo del trabajo a realizar use una careta, una protección para los ojos, o unas gafas de protección. Si procede, emplee una mascarilla antipolvo, protectores auditivos, guantes de protección o un mandil especial adecuado para protegerle de los pequeños fragmentos que pudieran salir proyectados al desprenderse del útil o pieza. Las gafas de protección deberán ser indicadas para protegerle de los fragmentos que pudieran salir despedidos al trabajar. La mascarilla antipolvo o respiratoria deberá ser apta para filtrar las partículas producidas al trabajar. La exposición prolongada al ruido puede provocar sordera.

**i) Cuide que las personas en las inmediaciones se mantengan a suficiente distancia de la zona de trabajo.** Toda persona que acceda a la zona de trabajo deberá utilizar un equipo de protección personal. Podrían ser lesionadas, incluso fuera del área de trabajo inmediato, al salir proyectados fragmentos de la pieza de trabajo o del útil.

**j) Sujete el aparato de las superficies aisladas de agarre al efectuar trabajos en los cuales la perforadora de percusión pueda entrar en contacto con conductores de corriente ocultos.** El contacto de la perforadora de percusión con un conductor con energía aplicada también podrá poner bajo tensión partes metálicas del aparato y causar un choque eléctrico.

**k) No deposite jamás la herramienta eléctrica antes de que la herramienta intercambiable haya dejado de girar por completo.** El útil en funcionamiento puede llegar a tocar la base de apoyo y hacerle perder el control sobre la herramienta eléctrica.

**l) No deje funcionar la herramienta eléctrica mientras la transporta.** El útil en funcionamiento podría lesionarle al engancharse accidentalmente con su vestimenta.

**m) Limpie periódicamente las rejillas de refrigeración de su herramienta eléctrica.** El ventilador del motor aspira polvo hacia el interior de la carcasa, por lo que, en caso de una acumulación fuerte de polvo metálico, ello puede provocarle una descarga eléctrica.

**n) No utilice la herramienta eléctrica cerca de materiales combustibles.** Las chispas producidas al trabajar pueden llegar a incendiar estos materiales.

**o) No emplee útiles que requieran ser refrigerados con líquidos.** La aplicación de agua u otros refrigerantes líquidos puede comportar una descarga eléctrica.

#### Causas del rechazo y advertencias al respecto

El rechazo es una reacción brusca que se produce al atascarse o engancharse el útil, como un disco de amolar, plato lijador, cepillo, etc. Al atascarse o engancharse el útil en funcionamiento, éste es frenado bruscamente. Ello puede hacerle perder el control sobre la herramienta eléctrica y hacer que ésta salga impulsada en dirección opuesta al sentido de giro que tenía el útil.

En el caso, p. ej., de que un disco amolador se atasque o bloquee en la pieza de trabajo, puede suceder que el canto del útil que penetra en el material se enganche, provocando la rotura del útil o el rechazo del aparato. Según el sentido de giro y la posición del útil en el momento de bloquearse puede que éste resulte despedido hacia, o en sentido opuesto al usuario. En estos casos puede suceder que el útil incluso llegue a romperse.

El rechazo es ocasionado por la aplicación o manejo incorrecto de la herramienta eléctrica. Es posible evitarlo atendiendo a las medidas preventivas que a continuación se detallan.

**a) Sujete con firmeza la herramienta eléctrica y mantenga su cuerpo y brazos en una posición propicia para resistir las fuerzas de reacción. Si forma parte del aparato, utilice siempre la empuñadura adicional para poder soportar mejor las fuerzas del rechazo, además de los pares de reacción que se presentan en la puesta en marcha.** El usuario puede controlar las fuerzas del rechazo y de reacción si toma unas medidas preventivas oportunas.

**b) Jamás aproxime su mano al útil en funcionamiento.** El accesorio puede hacer un contragolpe en la mano.

**c) No se sitúe dentro del área hacia el que se movería la herramienta eléctrica al ser rechazada.** Al resultar rechazada, la herramienta eléctrica saldrá despedida desde el punto de bloqueo en dirección opuesta al sentido de giro del útil.

**d) Tenga especial precaución al trabajar esquinas, cantos afilados, etc. Evite que el útil de amolar rebote contra la pieza de trabajo o que se atasque.** En las esquinas, cantos afilados, o al rebotar, el útil en funcionamiento tiende a atascarse. Ello puede hacerle perder el control o causar un rechazo del útil.

**e) No use hojas de cadena cortante o dentadas.** Estas herramientas intercambiables generan con frecuencia un contragolpe o la pérdida del control sobre la herramienta eléctrica.

#### Instrucciones de seguridad específicas para operaciones de amolado y tronzado

**a) Use exclusivamente útiles homologados para su herramienta eléctrica, en combinación con la caperuza protectora prevista para estos útiles.** Los útiles que no fueron diseñados para su uso en esta herramienta eléctrica pueden quedar insuficientemente protegidos y suponen un riesgo.

**b) Discos lijadores con centro rebajado deberán montarse de tal forma que su superficie abrasiva no sobresalga la superficie del borde de la cubierta protectora.** Un disco lijador montado de forma no apropiada, que sobresalga de la superficie del borde de la cubierta protectora, no podrá ser protegido de manera suficiente.

**c) Siempre emplee la caperuza protectora prevista para el útil que va a usar.** La caperuza protectora deberá montarse firmemente en la herramienta eléctrica cuidando que quede orientada de manera que ofrezca una seguridad máxima, o sea, cubriendo al máximo la parte del útil a la que queda expuesta el usuario. El protector ayuda a proteger al operario de los fragmentos rotos de disco, del contacto accidental con el disco y las chispas que podrían prender la ropa.

**d) Solamente emplee el útil para aquellos trabajos para los que fue concebido.** Por ejemplo, no emplee las caras de los discos tronzadores para amolar. En los útiles de tronzar, el arranque de material se lleva a cabo con los bordes del disco. Si estos útiles son sometidos a un esfuerzo lateral, ello puede provocar su rotura.

**e) Siempre use para el útil seleccionado una brida en perfecto estado con las dimensiones y forma correctas.** Una brida adecuada soporta convenientemente el útil reduciendo así el peligro de rotura. Las bridas para discos tronzadores pueden ser diferentes de aquellas para otros discos de amolar.

**f) No intente aprovechar los discos amoladores de otras herramientas eléctricas más grandes, aunque su diámetro exterior se haya reducido suficientemente por el desgaste.** Los discos amoladores destinados para herramientas eléctricas grandes no son aptos para soportar las velocidades periféricas más altas a las que trabajan las herramientas eléctricas más pequeñas, y pueden llegar a romperse.

#### Instrucciones de seguridad adicionales específicas para el tronzado

**a) Evite que se bloquee el disco tronzador y una presión de aplicación excesiva. No intente realizar cortes demasiado profundos.** Al solicitar en exceso el disco tronzador éste es más propenso a ladearse, bloquearse, a ser rechazado, o a romperse.

**b) No se coloque delante o detrás del disco tronzador en funcionamiento, alineado con la trayectoria del corte.** Mientras que al cortar, el disco tronzador es guiado en sentido opuesto a su cuerpo, en caso de un rechazo el disco tronzador y la herramienta eléctrica son impulsados directamente contra Vd.

**c) Si el disco tronzador se bloquea, o si tuviese que interrumpir su trabajo, desconecte la herramienta eléctrica y manténgala en esa posición, sin moverla, hasta que el disco tronzador se haya detenido por completo. Jamás intente sacar el disco tronzador en marcha de la ranura de corte, ya que ello podría provocar un rechazo.** Investigue y subsane la causa del bloqueo.

**d) No intente proseguir el corte, estando insertado el disco tronzador en la ranura de corte. Una vez fuera de la ranura de corte, espere a que el disco tronzador haya alcanzado las revoluciones máximas, y prosiga entonces el corte con cautela.** En caso contrario el disco tronzador podría bloquearse, salirse de la ranura de corte, o resultar rechazado.

**e) Soporte las planchas u otras piezas de trabajo grandes para reducir el riesgo de bloqueo o rechazo del disco tronzador.** Las piezas de trabajo grandes tienden a curvarse por su propio peso. La pieza de trabajo deberá apoyarse desde abajo a ambos lados tanto cerca de la línea de corte como en los bordes.

**f) Proceda con especial cautela al realizar recortes „por inmersión“ en paredes existentes o en zonas de reducida visibilidad.** El disco tronzador puede ser rechazado al tocar tuberías de gas o agua, conductores eléctricos, u otros objetos.

#### Instrucciones de seguridad específicas para trabajos con hojas lijadoras:

**a) No use hojas lijadoras más grandes que el soporte, ateniéndose para ello a las dimensiones que el fabricante recomienda.** Las hojas lijadoras de un diámetro mayor que el plato lijador pueden provocar un accidente, fisurarse, o provocar un rechazo.

#### Instrucciones de seguridad específicas para el trabajo con cepillos de alambre:

**a) Tenga en cuenta que las púas de los cepillos de alambre pueden desprenderse también durante un uso normal. No fuerce las púas ejerciendo una fuerza de aplicación excesiva.** Las púas despreñadas pueden traspasar muy fácilmente tela delgada y/o la piel.

**b) En caso de recomendarse el uso de una caperuza protectora, evite que el cepillo de alambre alcance a rozar contra la caperuza protectora.** Los cepillos de plato y de vaso pueden aumentar su diámetro por efecto de la presión de aplicación y de la fuerza centrífuga.

#### INSTRUCCIONES ADICIONALES DE SEGURIDAD Y LABORALES

¡Siempre verifique que el botón de bloqueo del husillo esté completamente liberado antes de encender la herramienta! Después de usar el bloqueo del husillo para apretar / aflojar el disco abrasivo, puede ser que el botón se quede en la posición de bloqueo.

Al amolar metales se proyectan chispas. Cuidar de no poner en peligro a personas. Debido al peligro de incendio no deben encontrarse cerca (en el área de alcance de las chispas) materiales inflamables. No utilice extracción de polvo en este caso.

Evite que chispas y polvo de pulido puedan alcanzar el cuerpo.

No manipular en el rodillo ni en las cuchillas con la máquina conectada.

Nunca se debe intentar limpiar el polvo o viruta procedente del taladrado con la máquina en funcionamiento.

Desconectar inmediatamente el aparato al presentarse vibraciones fuertes u otras anomalías. Examine la máquina para determinar las posibles causas.

En condiciones extremas (p. ej., esmerilado liso de metales con el mandril y el disco de fibra vulcanizada), se puede acumular una contaminación significativa en el interior de la esmeriladora.

Evite que cualquier pieza metálica alcance las ranuras de ventilación - ¡peligro de cortocircuito!

**ADVERTENCIA!** ¡Peligro de quemaduras! El disco y la pieza de trabajo se calentarán durante el uso. Use guantes cuando cambie discos o toque la pieza de trabajo. Mantenga las manos alejadas del área de desbaste en todo momento.

**ADVERTENCIA!** Para reducir el riesgo de incendio, lesiones personales y daños al producto debido a un cortocircuito, no sumerja nunca la herramienta, el paquete de baterías o el cargador en líquido ni permita que fluya un fluido dentro de ellos. Los fluidos corrosivos o conductivos, como el agua de mar, ciertos productos químicos industriales y blanqueadores o lejías que contienen, etc., Pueden causar un cortocircuito.

No abra nunca las baterías ni los cargadores y guárdelos sólo en lugares secos. Protéjalos de la humedad en todo momento.

Recargar solamente los acumuladores del Sistema M18 en cargadores M18. No intentar recargar acumuladores de otros sistemas.



**ADVERTENCIA!** Este dispositivo contiene una batería de litio de botón. En caso de ingesta o de que entre en el cuerpo, una batería nueva o usada puede provocar quemaduras internas y causar la muerte en 2 horas. Asegure siempre la tapa del compartimento de la batería. Si no se cierra correctamente, detenga el dispositivo, retire la batería o mantenga fuera del alcance de los niños. Si cree que alguien puede haber ingerido la batería o que puede haber entrado en el cuerpo de alguna otra manera, acuda inmediatamente a un médico.

#### APLICACIÓN DE ACUERDO A LA FINALIDAD

La amoladora angular está diseñada para moler y cortar metal, piedra, hormigón y materiales cerámicos, así como para lijar y cepillar con alambre.

Utilice la tapa de corte de la gama de accesorios para la aplicación de corte.

En caso de dudas, observe las indicaciones de los fabricantes de los accesorios.

La herramienta eléctrica sirve únicamente para el trabajo en seco

Solo deben montarse discos de desbaste o corte apropiados y protectores relacionados (protector de desbaste o de corte), como se describe en la sección de especificaciones del producto de este manual. La amoladora angular está diseñada para uso portátil; no debe montarse en un dispositivo o banco de trabajo.

No use el producto de ninguna manera que no sea la indicada para el uso previsto.

## PELIGROS RESIDUALES

Incluso en caso de un uso correcto, no es posible excluir por completo la existencia de riesgos residuales. Durante el uso de la máquina se pueden producir los siguientes riesgos a tener en cuenta especialmente por el operador de la misma.

- Lesiones provocadas por efecto de la vibración. Sujete el dispositivo utilizando las empuñaduras previstas para ello y limite el tiempo de trabajo y de exposición a riesgos.
- La contaminación acústica puede provocar lesiones auditivas. Lleve una protección auditiva y limite el tiempo de exposición a riesgos.
- Lesiones oculares producidas por partículas de suciedad. Lleve siempre gafas protectoras, pantalones resistentes y largos y calzado resistente.
- Inhalación de polvos tóxicos.

## INDICACIONES PARA BATERÍAS DE IONES DE LITIO

### Uso de baterías de iones de litio

Las baterías no utilizadas durante cierto tiempo deben ser recargadas antes de usar.

Las temperaturas superiores a 50°C reducen el rendimiento de la batería. Evite una exposición excesiva a fuentes de calor o al sol (riesgo de sobrecalentamiento).

Los puntos de contacto de los cargadores y las baterías se deben mantener limpios.

Para un tiempo óptimo de vida, deberán cargarse las baterías completamente después de su uso.

Para garantizar la máxima capacidad y vida útil, las baterías recargables se deberían retirar del cargador una vez finalizada la carga.

En caso de almacenar la batería recargable más de 30 días: Almacenar la batería recargable en un lugar seco a una temperatura de aproximadamente 27°C.

Almacenar la batería recargable con un estado de carga del 30% y 50% aproximadamente.

Recargar la batería cada 6 meses.

### Protección de sobrecarga de baterías en baterías de iones de litio

En caso de sobrecarga de la batería a causa de un consumo de corriente demasiado elevado, por ejemplo, en momentos de torsión extremadamente altos, de una parada o cortocircuito repentinos; el aparato eléctrico vibra durante 5 segundos, el indicador de carga parpadea y el aparato eléctrico se desconecta automáticamente.

Para conectarlo de nuevo, soltar el botón de encendido y después conectarlo otra vez. Bajo cargas extremas la batería se calienta demasiado. En este caso, todas las luces del indicador de carga parpadean hasta que la batería se enfría. Cuando se apaga el indicador de carga se puede trabajar de nuevo.

### Transporte de baterías de iones de litio

Las baterías de iones de litio caen bajo las disposiciones legales relativas al transporte de mercancías peligrosas.

El transporte de estas baterías recargables debe llevarse a cabo, observando las normas y disposiciones locales, nacionales e internacionales.

Los consumidores pueden transportar estas baterías recargables sin el menor reparo en la calle.

El transporte comercial de baterías recargables de iones de litio por empresas de transportes está sometido a las disposiciones del transporte de mercancías peligrosas. Las preparaciones para el envío y el transporte deben ser llevados a cabo exclusivamente por personas instruidas adecuadamente. El proceso completo debe ser supervisado por personal competente.

Los siguientes puntos se deben observar para el transporte de las baterías recargables:

Se debe asegurar que los contactos estén protegidos y aislados para evitar que se produzcan cortocircuitos.

Preste atención a que el conjunto de baterías recargables no se pueda desplazar dentro del envase. Las baterías recargables deterioradas o derramadas no se deben transportar. Rogamos que para cualquier información adicional se dirija a su empresa de transportes.

## INDICACIONES PARA EL TRABAJO

En las herramientas que llevan una muela con agujero roscado, cerciórese de que la rosca en la muela es lo suficientemente larga para aceptar la longitud del vástago.

Utilice y guarde siempre los discos de amolar y las muelas de tronzar según las indicaciones del fabricante.

Utilice siempre la cubierta de protección en trabajos de desbaste y separación.

Discos lijadores con centro rebajado deberán montarse de tal forma que su superficie abrasiva no sobresalga la superficie del borde de la cubierta protectora.

La tuerca de apriete se debe asegurar antes de comenzar a trabajar con la máquina.

Emplear siempre el asidero adicional.

La pieza de trabajo debe fijarse adecuadamente, a no ser que se mantenga bien fija por su propio peso. Jamás mueva la pieza de trabajo con la mano contra el disco.

La tuerca de brida debe estar apretada firmemente antes de la puesta en marcha de la máquina. En caso de que el útil no se apriete firmemente con la tuerca de brida, existe la posibilidad de que el útil pierda la fuerza de apriete necesaria durante el frenado.

## PROTECCIÓN CONTRA SOBRECARGA Y GOLPE DE RETROCESO

El equipo dispone de una función protectora contra overload y anti-kickback y se detiene en caso de la correspondiente sobrecarga. Desconectar la herramienta eléctrica y luego volver a encenderla para seguir trabajando.

## ARRANQUE SUAVE

Arranque suave electrónico, para una segura manejabilidad, evita un brusco retroceso al conectar la máquina.

## SISTEMA DE FRENADO

El freno de inercia se activa cuando se suelta el gatillo, lo que hace que la herramienta se detenga en segundos.

Asegúrese de que la herramienta de inserción se detenga por completo antes de dejarla.

En comparación con las herramientas sin freno de inercia, el tiempo de inercia se reducirá en gran medida mediante el frenado.

## ONE-KEY™

Para obtener más información sobre la funcionalidad ONE-KEY de este dispositivo, por favor, consulte la Guía Rápida incluida junto con este producto o diríjase a <http://www.milwaukeetool.com/one-key>

Puede descargar en su teléfono móvil la aplicación ONE-KEY en la App Store o en Google Play.

Las incidencias producidas por descargas electrostáticas también pueden provocar la interrupción de la comunicación de Bluetooth. En este caso, es necesario volver a restaurar manualmente la conexión de Bluetooth. Los resultados de las pruebas cumplen con los requisitos mínimos conforme a EN 55014-2 / EN 301 489-1 / EN 301 489-17.

## LIMPIEZA

Las ranuras de ventilación de la máquina deben estar despejadas en todo momento.

## MANTENIMIENTO

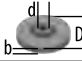
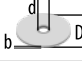


Utilice solamente accesorios y repuestos Milwaukee. En caso de necesitar reemplazar componentes no descritos, contacte con cualquiera de nuestras estaciones de servicio Milwaukee (consultar lista de servicio técnicos)

En caso necesario, puede solicitar un despiece de la herramienta. Por favor indique el número de impreso que hay en la etiqueta y pida el despiece a la siguiente dirección:  
Techtronic Industries GmbH, Max-Eyth-Straße 10,  
71364 Winnenden, Germany.

## SIMBOLOS

	Lea las instrucciones detenidamente antes de conectar la herramienta
	¡ATENCIÓN! ¡ADVERTENCIA! ¡PELIGRO!
	Retire la batería antes de comenzar cualquier trabajo el aparato.
	¡No ingiera las pilas de botón!
	No utilice la guarda para operaciones de corte.
	No aplique fuerza.
	Aplique fuerza.
	Para trabajar con la máquina, utilizar siempre gafas de protección.
	¡Utilice protección auditiva!
	Utilice por ello una máscara protectora contra polvo.
	Usar guantes protectores
	Utilice siempre la herramienta con dos manos.
	Únicamente para trabajos de pulido.
	Únicamente para trabajos de separación.

	Preste atención al grosor permitido del disco.
	Accesorio - No incluido en el equipo estándar, disponible en la gama de accesorios.
	Los electrodomésticos y las baterías/acumuladores no se deben eliminar junto con la basura doméstica. Los aparatos eléctricos y los acumuladores se deben recoger por separado y se deben entregar a una empresa de reciclaje para una eliminación respetuosa con el medio ambiente. Infórmese en las autoridades locales o en su tienda especializada sobre los centros de reciclaje y puntos de recogida.
<b>n</b>	Revoluciones nominales
<b>v</b>	Tensión
	Corriente continua
	Marcado de conformidad europeo
	Marcado de conformidad británico
	Marcado de conformidad ucraniano
	Marcado de conformidad euroasiático

CARACTERÍSTICAS TÉCNICAS		M18 ONEFLAG230XPDB
Tipo	Rebarbadora Angular a Bateria	
Número de produção	4835 68 01 XXXXXX MJJJ	
Tensão do acumulador	18 V =	
Banda de frequência Bluetooth (bandas de frequência)	2400 - 2483,5 MHz	
Potência de alta frequência	2 dBm	
Versão Bluetooth	4.2 BT signal mode	
Número de rotações nominal	6600 min <sup>-1</sup>	
Rosca do veio de trabalho	M14	
D=Diâmetro do disco no máx.	230 mm	
d=Ø do orifício	22,2 mm	
	b=Espessura do rebolo de lixa no máx.	8 mm
	b=Espessura do rebolo separador no máx. / no mín.	3 mm / 1,9 mm
	D=Diâmetro do disco abrasivo no máx.	230 mm
	D=Diâmetro da superfície da escova tipo copo no máx.	100 mm

Peso nos termos do procedimento-EPTA 01/2014 (Li-Ion 2,0 Ah ... 12,0 Ah)	4,2 ... 5,4 kg
Temperatura ambiente recomendada para a operação	-18 ... +50 °C
Conjuntos de baterias recomendados	M18B...; M18HB...
Carregadores recomendados	M12-18...; M1418C6

**Informações sobre ruído:** Valores de medida de acordo com EN 60745.

O nível de ruído avaliado A do aparelho é tipicamente:

Nível da pressão de ruído / Incerteza K	88,4 dB (A) / 3 dB (A)
Nível da potência de ruído / Incerteza K	99,4 dB (A) / 3 dB (A)

**Use protectores auriculares!**

**Informações sobre vibração:** Valores totais de vibração (soma dos vectores das três direcções) determinadas conforme EN 60745.

Valor de emissão de vibração  $a_h$  / Incerteza K

Lixamento superficial	5,5 m/s <sup>2</sup> / 1,5 m/s <sup>2</sup>
Rectificar com disco abrasivo	3,2 m/s <sup>2</sup> / 1,5 m/s <sup>2</sup>

Em caso de outras aplicações, como p.ex. separar por rectificação ou lixar com escova de arame, podem resultar outros valores de vibração!

## ATENÇÃO!

O nível de emissão de ruído e vibração fornecido nesta ficha de informações foi medido de acordo com um teste padronizado que se encontra na norma EN 60745, podendo ser utilizado para fazer comparações entre ferramentas. Pode ser utilizado para fazer uma avaliação preliminar da exposição.

O nível de emissão de ruído e vibração declarado representa as principais aplicações da ferramenta. No entanto, se a ferramenta for utilizada para aplicações diferentes ou com acessórios distintos, ou se a sua manutenção for deficiente, a emissão de ruídos e vibrações poderá diferir. Isso poderá aumentar significativamente o nível de exposição ao longo do período de trabalho total.

A estimativa do nível de exposição à vibração e ruído também deve ter em conta os tempos em que a ferramenta, quer desligada quer em funcionamento, não está realmente a trabalhar. Isso poderá reduzir significativamente o nível de exposição ao longo do período de trabalho total.

Identifique medidas de segurança adicionais para proteger o operador contra os efeitos da vibração e/ou ruído, tais como: fazer a manutenção da ferramenta e dos acessórios, manter as mãos quentes, organizar padrões de trabalho.

**ATENÇÃO!** Leia todas as instruções de segurança e todas as instruções. O desrespeito das advertências e instruções apresentadas abaixo pode causar choque eléctrico, incêndio e/ou graves lesões.

Guarde bem todas as advertências e instruções para futura referência.

## INSTRUÇÕES DE SEGURANÇA PARA AFIADORAS ANGULARES

**Indicações de aviso gerais para lixar, lixar com lixa de papel, trabalhar com escovas de arame, polir e separar por rectificação:**

a) Esta ferramenta eléctrica pode ser utilizada como lixadeira, lixadeira com lixa de papel e máquina para separar por rectificação. Observar todas as indicações de aviso, instruções, apresentações e dados fornecidos com a ferramenta eléctrica. O desrespeito das seguintes instruções pode levar a um choque eléctrico, incêndio e/ou graves lesões.

b) Esta ferramenta eléctrica não é adequada para polir. Utilizações, para as quais a máquina não tenha sido prevista, podem causar perigos e ferimentos.

c) Não utilizar acessórios, que não foram especialmente previstos e recomendados pelo fabricante para serem utilizados com esta ferramenta eléctrica. O facto de poder fixar o acessório a esta ferramenta eléctrica, não garante uma aplicação segura.

d) As rotações admissíveis da ferramenta de trabalho devem ser pelo menos tão elevadas como as rotações máximas indicadas na ferramenta eléctrica. Os acessórios que rodam mais rapidamente do que o permitido podem partir-se e ser projectados.

e) O diâmetro exterior e a espessura da ferramenta de trabalho devem corresponder às indicações de medida da sua ferramenta eléctrica. Ferramentas de trabalho incorrectamente medidas podem não ser suficientemente blindadas nem controladas.

f) As roscas das peças de acessório devem corresponder com a rosca do fuso de esmerilhamento. Nas peças de acessório fixadas mediante flange, o furo para o mandrel na peça de acessório deve corresponder com o diâmetro do flange de localização. Peças de acessório que não caibam no mandril de montagem do aparelho, operam de forma desequilibrada, vibram excessivamente e podem levar à perda do controlo sobre a ferramenta.

g) Não utilizar ferramentas de trabalho danificadas. Antes de cada utilização deverá controlar as ferramentas de trabalho, e verificar se por exemplo os discos abrasivos apresentam fissuras e estilhaços, se pratos abrasivos apresentam fissuras, se há desgaste ou forte atrição, se as escovas de arame apresentam arames soltos ou quebrados. Se a ferramenta eléctrica ou a ferramenta de trabalho caírem, deverá verificar se sofreram danos, ou trocar por uma ferramenta de trabalho intacta. Após ter controlado e introduzido a ferramenta de trabalho, deverá manter-se, e as pessoas que se encontrem nas proximidades, fora do nível de rotação da ferramenta de trabalho e permitir que a ferramenta eléctrica funcione durante um minuto com o máximo número de rotação. A maioria das ferramentas de trabalho danificadas quebram durante este período de teste.

h) Utilizar um equipamento de protecção pessoal. De acordo com a aplicação, deverá utilizar uma protecção para todo o rosto, protecção para os olhos ou um óculos protector. Se for necessário, deverá utilizar uma máscara contra pó, protecção auricular, luvas de protecção ou um avental especial, para proteger-se de pequenas partículas de amoladura e de material. Os olhos devem ser protegidos contra partículas a voar, produzidas durante as diversas aplicações. A máscara contra pó ou a máscara de respiração deve ser capaz de filtrar o pó produzido durante a respectiva aplicação. Se for sujeito durante longo tempo a fortes ruídos, poderá sofrer a perda da capacidade auditiva.

i) Observe que as outras pessoas mantenham uma distância segura em relação ao seu local de trabalho. Cada pessoa que entrar na área de trabalho, deverá usar um equipamento de protecção pessoal. Estilhaços da peça a ser trabalhada ou ferramentas de trabalho quebradas podem voar e causar lesões fora da área imediata de trabalho.

j) Segure o aparelho nas superfícies de punho isoladas se estiver a executar trabalhos, nos quais a ferramenta de corte pode tocar em linhas eléctricas escondidas. O contacto da ferramenta de corte com uma linha sob tensão também pode colocar peças metálicas do aparelho sob tensão e levar a um choque eléctrico.

k) Nunca pouse a ferramenta eléctrica antes de a ferramenta de trabalho parar completamente. A ferramenta de trabalho em rotação pode entrar em contacto com a superfície de apoio, provocando uma perda de controlo da ferramenta eléctrica.

l) Não permitir que a ferramenta eléctrica funcione enquanto estiver a transportá-la. A sua roupa pode ser agarrada devido a um contacto accidental com a ferramenta de trabalho em rotação, de modo que a ferramenta de trabalho possa ferir o seu corpo.

m) Limpar regularmente as aberturas de ventilação da sua ferramenta eléctrica. A ventoinha do motor puxa pó para dentro da carcaça, e uma grande quantidade de pó de metal pode causar perigos eléctricos.

n) Não utilizar a ferramenta eléctrica perto de materiais inflamáveis. Físcas podem incendiar estes materiais.

o) Não utilizar ferramentas de trabalho que necessitem agentes de refrigeração líquidos. A utilização de água ou de outros agentes de refrigeração líquidos pode provocar um choque eléctrico.

## Contra-golpe e respectivas advertências

ContraGolpe é uma repentina reacção devido a uma ferramenta de trabalho travada ou bloqueada, como por exemplo um disco abrasivo, um prato abrasivo, uma escova de arame etc. Um travamento ou um bloqueio levam a uma parada abrupta da ferramenta de trabalho em rotação. Desta maneira, uma ferramenta eléctrica descontrolada pode ser acelerada no local de bloqueio, sendo forçada no sentido contrário da rotação da ferramenta de trabalho.

Se por exemplo um disco abrasivo travar ou bloquear numa peça a ser trabalhada, o canto do disco abrasivo pode mergulhar na peça a ser trabalhada e encravar-se, quebrando o disco abrasivo ou causando um contra-golpe. O disco abrasivo se movimenta então no sentido do operador ou para longe deste, dependendo do sentido de rotação do disco no local do bloqueio. Sob estas condições os discos abrasivos também podem partir-se.

Um contra-golpe é a consequência de uma utilização incorrecta ou indevida da ferramenta eléctrica. Ele pode ser evitado por apropriadas medidas de precaução como descrito a seguir.

a) Segurar firmemente a ferramenta eléctrica e posicionar o seu corpo e os braços de modo que possa resistir às forças de um contra-golpe. Sempre utilizar o punho adicional, se existente, para assegurar o máximo controlo possível sobre as forças de um contra-golpe ou sobre momentos de reacção durante o arranque. O operador pode controlar as forças de contra-golpe e as forças de reacção através de medidas de precaução apropriadas.

b) Jamais permita que as suas mãos se encontrem perto de ferramentas de trabalho em rotação. O acessório pode recuar e atingir a sua mão.

c) Evite que o seu corpo se encontre na área, na qual a ferramenta eléctrica possa ser movimentada no caso de um contra-golpe. O contra-golpe força a ferramenta eléctrica no sentido contrário ao movimento do disco abrasivo no local do bloqueio.

d) Trabalhar com especial cuidado na área ao redor de esquinas, cantos afiados etc. Evite que ferramentas de trabalho sejam ricocheteadas e travadas pela peça a ser trabalhada. A ferramenta de trabalho em rotação tende a travar em esquinas, em cantos afiados ou se for ricocheteada. Isto causa uma perda de controlo ou um contra-golpe.

e) Não utilize lâminas de corrente ou lâminas de serra dentadas. Estas ferramentas de trabalho provocam frequentemente uma repercussão ou a perda do controlo sobre a ferramenta eléctrica.

## Instruções especiais de segurança específicas para lixar e separar por rectificação

a) Utilizar exclusivamente os corpos abrasivos homologados para a sua ferramenta eléctrica e a capa de protecção prevista para estes corpos abrasivos. Corpos abrasivos não previstos para a ferramenta eléctrica, não podem ser suficientemente protegidos e portanto não são seguros.

b) Discos abrasivos dobrados devem ser montados, de forma que a sua superfície abrasiva não sobressaia além do nível da margem da tampa de protecção. Não é possível blindar suficientemente um disco abrasivo montado incorrectamente, que sobressai além do nível da margem da tampa de protecção.



**c) Sempre utilizar a capa de protecção, prevista para o tipo de corpo abrasivo utilizado. A capa de protecção deve ser firmemente aplicada na ferramenta eléctrica e fixa, de modo que seja alcançado um máximo de segurança, ou seja, que apenas uma mínima parte do corpo abrasivo aponte abertamente na direcção do operador.** A protecção ajuda a proteger o operador contra estilhaços do disco de corte, contacto acidental com o disco de corte e faíscas que poderiam incendiar o vestuário.

**d) Os corpos abrasivos só devem ser utilizados para as aplicações recomendadas. P. ex.: Jamais lixar com a superfície lateral de um disco de corte.** Disco de corte são destinados para o desbaste de material com o canto do disco. Uma força lateral sobre estes corpos abrasivos pode quebrá-los.

**e) Sempre utilizar flanges de aperto intactos de tamanho e forma correctos para o disco abrasivo seleccionado.** Flanges apropriados apoiam o disco abrasivo e reduzem assim o perigo de uma ruptura do disco abrasivo. Flanges para discos de corte podem diferenciarse de flanges para outros discos abrasivos.

**f) Não utilizar discos abrasivos gastos de outras ferramentas eléctricas maiores.** Discos abrasivos para ferramentas eléctricas maiores não são apropriados para os números de rotação mais altos de ferramentas eléctricas menores e podem quebrar.

**Outras advertências especiais de segurança para separar por rectificação**

**a) Evitar um bloqueio do disco de corte ou uma força de pressão demasiado alta. Não efectuar cortes extremamente profundos.** Uma sobrecarga do disco de corte aumenta o desgaste e a predisposição para emperrar e bloquear e portanto a possibilidade de um contra-golpe ou uma ruptura do corpo abrasivo.

**b) Evitar a área que se encontra na frente ou atrás do disco de corte em rotação.** Se o disco de corte for conduzido na peça a ser trabalhada, para frente, afastandose do corpo, é possível que no caso de um contra-golpe a ferramenta eléctrica, junto com o disco em rotação, seja atirada directamente na direcção da pessoa a operar o aparelho.

**c) Se o disco de corte emperrar ou se o trabalho for interrompido, deverá desligar a ferramenta eléctrica e mantê-la parada, até o disco parar completamente. Jamais tentar puxar o disco de corte para fora do corte enquanto ainda estiver em rotação, caso contrário poderá ser provocado um contra-golpe.** Verificar e eliminar a causa do emperramento.

**d) Não ligar novamente a ferramenta eléctrica, enquanto ainda estiver na peça a ser trabalhada. Permita que o disco de corte alcance o seu completo número de rotação, antes de continuar cuidadosamente a cortar.** Caso contrário é possível que o disco emperre, pule para fora da peça a ser trabalhada ou cause um contra-golpe.

**e) Apoiar placas ou peças grandes, para reduzir um risco de contra-golpe devido a um disco de corte emperrado.** Peças grandes podem curvarse devido ao próprio peso. A peça a ser trabalhada deve ser apoiada de ambos os lados, tanto nas proximidades do corte como também nos cantos.

**f) Tenha muito cuidado ao fazer “cortes de bolsa” em paredes existentes ou outras áreas não visíveis.** O disco de corte pode causar um contra-golpe se cortar acidentalmente tubulações de gás ou de água, cabos eléctricos ou outros objectos.

**Advertências especiais de segurança específicas para lixar com lixa de papel:**

**a) Não utilizar lixas de papel demasiado grandes, mas sempre seguir as indicações do fabricante sobre o tamanho correcto das lixas de papel.** Lixas de papel, que sobressaem dos cantos do prato abrasivo, podem causar lesões, assim como bloquear e rasgar as lixas de papel ou levar a um contra-golpe.

**Advertências especiais de segurança específicas para trabalhar com escovas de arame:**

**a) Observe que a escova de arame também perde cerdas durante a utilização normal. Não aplique uma força de pressão muito forte nos arames.** Cerdas ejetadas podem penetrar facilmente em roupa leve e/ou na pele.

**b) Se for recomendável uma capa de protecção, deverá evitar que a escova de arame entre em contacto com a capa de protecção.** O diâmetro das escovas em forma de prato ou de tacho pode aumentar devido à força de pressão e às forças centrífugas.

#### INSTRUÇÕES DE SEGURANÇA E TRABALHO SUPLEMENTARES

Antes de ligar a ferramenta, verifique sempre se o botão de bloqueio do eixo está completamente solto! Depois de utilizar o bloqueio do eixo para apertar / afrouxar o disco abrasivo, é possível que o botão fique preso na posição de bloqueio.

Ao lixar metais, voam faíscas. Observe que ninguém seja posto em perigo. Devido ao perigo de incêndio não devem encontrar-se materiais inflamáveis nas proximidades (área de voo de faíscas). Não utilize sistema de extracção de poeiras.

Evitar o contacto de faíscas e pó de lixar com o corpo.

Não introduza as mãos na área perigosa, estando a máquina em funcionamento.

Não remover aparas ou lascas enquanto a máquina trabalha.

Desligar imediatamente o aparelho, se ocorrerem grandes oscilações ou se forem observadas outras avarias. Controlar a máquina para determinar a causa.

Em condições extremas (por exemplo, metais que obriguem a esmeril suave, utilizando o disco com protecção e fibra vulcanizada), é possível que se acumule uma quantidade significativa de material contaminante no interior da rebarbadora.

Não deixe que peças metálicas toquem nas fendas de circulação de ar - perigo de curto-circuitos.

**ATENÇÃO!** Perigo de queimar-se! Durante a utilização, o disco e a peça trabalhada vão ficar quentes. Ao trocar os discos ou tocar na peça de trabalho, use luvas. Mantenha sempre as mãos afastadas da área que estiver a ser trabalhada com a rebarbadora.

**ATENÇÃO!** Para evitar o risco de incêndio, de feridas ou de danificação do produto causado por um curto-circuito, não imerja a bateria intercambiável ou o carregador em líquidos e assegure-se de que líquidos não penetrem nos aparelhos ou nas baterias. Líquidos corrosivos ou condutivos como água salgada, determinadas substâncias químicas e produtos que contenham branqueadores podem causar um curto-circuito.

Carregadores só devem ser utilizados em recintos secos.

Use apenas carregadores do Sistema M18 para recarregar os acumuladores do Sistema M18. Não utilize acumuladores de outros sistemas.



**ATENÇÃO!** Este dispositivo contém uma pilha de célula de lítio tipo botão/moeda. Uma pilha de nova ou usada pode causar queimaduras internas graves e levar à morte em menos de 2 horas, em caso de ingestão ou se ela penetrar no corpo. Fixe sempre a tampa do compartimento da pilha. Se ela não for fechada seguramente, pare o dispositivo, remova a pilha e mantenha-a fora do alcance de crianças. Se achar que alguém engoliu a pilha ou se ela tiver de algum outro modo penetrado no corpo, procure imediatamente um médico.

#### UTILIZAÇÃO AUTORIZADA

A rebarbadora foi concebida para esmerilar e cortar materiais metálicos, em pedra, cimento e cerâmicos, bem como para operações de decapagem e escovagem com escova de metal.

Para aplicações de corte, utilize o resguardo de corte constante da gama de acessórios.

Em caso de dúvida, observe as indicações do fabricante dos acessórios.

A ferramenta só é apropriada para o processamento a seco.

Só devem ser encaixados na rebarbadora discos de esmeril/ corte e respetivas proteções (protecção de esmeril ou protecção de corte) que sejam adequados, conforme descritos na secção de especificações do produto deste manual. A rebarbadora foi concebida para utilização portátil, não se destinando a ser montada num acessório ou bancada.

Não utilize o produto de qualquer outra forma além das indicadas para a utilização prevista.

#### RISCOS RESIDUAIS

Mesmo em caso de utilização correcta não é possível excluir todos os riscos residuais. Na utilização da máquina podem ser causados os seguintes perigos que o utilizador deve observar:

- Feridas causadas pela vibração. Segure o aparelho nos punhos previstos e limite o tempo de trabalho e exposição.
- Os ruídos podem levar à perda de audição. Use um protetor auricular e limite o período de exposição.
- Feridas dos olhos causadas por partículas de sujeira. Sempre use óculos de protecção, calças compridas sólidas e calçados sólidos.
- Inalação de pós tóxicos.

#### NOTAS PARA BATERIAS DE IÕES DE LÍTIO

##### Utilização de iões de lítio

Acumuladores não utilizados durante algum tempo devem ser recarregados antes da sua utilização.

Temperaturas acima de 50°C reduzem a capacidade do bloco acumulador. Evitar exposição prolongada ao sol ou a caloríferos. Manter limpos os contactos eléctricos no carregador e no bloco acumulador.

Para uma vida útil óptima das baterias, terá que carregá-las plenamente após a sua utilização. Para assegurar uma vida útil longa, o pacote de bateria deve ser removido da carregadora depois do carregamento.

Se o pacote de bateria for armazenado por mais de 30 dias: Armazene o pacote de bateria com aprox. 27°C em um lugar seco. Armazene o pacote de bateria com aprox. 30%-50% da carga completa.

Carregue o pacote de bateria novamente de 6 em 6 meses.

##### Protecção contra sobrecarga para baterias de iões de lítio

No caso de sobrecarga da bateria devido a um consumo de corrente demasiado elevado, por exemplo um binário de rotação extremamente elevado, uma paragem repentina ou um curto-circuito, a ferramenta eléctrica vibra durante 5 segundos, o indicador de carregamento de bateria começa a piscar e a ferramenta eléctrica desliga-se automaticamente.

Para a ligar novamente, desligar e voltar a ligar o interruptor Sob condições extremas, a bateria aquece demasiado. Nesse caso, todas as luzes do indicador de carregamento de bateria piscam até que esta arrefeça. Após as luzes do indicador de carregamento de bateria se apagarem, pode-se continuar a trabalhar.

##### Transporte de baterias de ião-lítio

Baterias de ião-lítio estão sujeitas às disposições da legislação relativa às substâncias perigosas.

O transporte destas baterias deve ser efetuado de acordo com as disposições e os regulamentos locais, nacionais e internacionais. O utilizador pode efetuar o transporte rodoviário destas baterias sem restrições.

O transporte comercial de baterias de ião-lítio por terceiros está sujeito aos regulamentos relativos às substâncias perigosas. A preparação do transporte e o transporte devem ser executados exclusivamente por pessoas instruídas e o processo deve ser acompanhado pelos especialistas correspondentes.

Observe o seguinte no transporte de baterias:

Assegure-se de que os contactos terminais estejam protegidos e isolados para evitar um curto-circuito.

Assegure-se de que o bloco da bateria esteja protegido contra movimentos na embalagem. Não transporte baterias danificadas ou que tenham fuga. Para instruções mais detalhadas consulte a companhia de transportes

#### DICAS DE TRABALHO

Para as ferramentas a serem montadas com a roda de orifício roscado, certifique-se de que a rosca na roda é suficientemente longa para receber o fuso em todo o seu comprimento.

Sempre utilizar e guardar os rebolos separadores e os discos abrasivos, de acordo com as indicações do fabricante.

Durante o trabalho com discos de desbaste e de corte sempre deve ser utilizada a placa de protecção.

Discos abrasivos dobrados devem ser montados, de forma que a sua superfície abrasiva não sobressaia além do nível da margem da tampa de protecção.

A porca de ajuste deve ser apertada antes de iniciar o trabalho com a máquina.

Utilizar sempre o punho lateral.

A peça a ser trabalhada deve ser fixada, caso não esteja firme devido ao seu peso próprio. Jamais conduzir a peça a ser trabalhada em direcção do disco com as mãos.

Antes de colocar a máquina em funcionamento, a porca flangeada deve ser apertada para que esteja fixa. Se a ferramenta não for bem apertada com a porca flangeada, é possível que a ferramenta perda a força de tensão necessária na travagem.

#### PROTEÇÃO CONTRA SOBRECARGA E RECUCO

O aparelho dispõe de uma função de protecção contra sobrecarga e anti-retorno e parará quando houver a sobrecarga correspondente. Desligue a ferramenta eléctrica e volte a ligá-la, a fim de poder continuar a trabalhar.

#### ARRANQUE SUAVE

Arranque suave electrónico para manejo seguro; evita o arranque brusco da máquina ao ligá-la.

#### SISTEMA DE TRAVAGEM

O travão de movimento por impulso após desligar é ativado ao soltar o gatilho, fazendo com que a ferramenta pare em poucos segundos.

Certifique-se de que a ferramenta de inserção para por completo antes de a pousar.

Comparativamente às ferramentas sem travão de movimento por impulso após desligar, o tempo de movimento por impulso após desligar desta ferramenta é bastante reduzido, através da travagem.

#### ONE-KEY™

Para saber mais sobre a funcionalidade ONE-KEY deste dispositivo, consulte o guia de iniciação rápida fornecido com este produto ou vá a <http://www.milwaukeeetool.com/one-key>

Pode-se descarregar a app ONE-KEY para o smartphone através da App Store ou do Google Play.

Interferências causadas por descargas eletrostáticas também interrompem a comunicação através da função Bluetooth. Neste caso, será necessário restabelecer a ligação Bluetooth manualmente. Os resultados dos ensaios satisfazem as nossas exigências mínimas nos termos das EN 55014-2 / EN 301 489-1 / EN 301 489-17.

#### LIMPEZA

Manter desobstruídos os rasgos de ventilação na carcaça da máquina.

#### MANUTENÇÃO

Utilizar apenas acessórios Milwaukee e peças sobresselentes Milwaukee. Os componentes cuja substituição não esteja descrita devem ser substituídos num serviço de assistência técnica Milwaukee (consultar a brochura relativa à garantia/moradas dos serviços de assistência técnica).

A pedido e mediante indicação da referência que consta da chapa de características da máquina, pode requerer-se um desenho explosivo da ferramenta eléctrica a: Techtron Industries GmbH, Max-Eyth-Straße 10, 71364 Winnenden, Germany.

**SYMBOLE**

	Leia atentamente o manual de instruções antes de colocar a máquina em funcionamento.
	ATENÇÃO! PERIGO!
	Antes de efectuar qualquer intervenção o aparelho retirar o bloco acumulador.
	Não ingira as pilhas de botão!
	Não utilize a protecção para operações de corte.
	Não aplique força.
	Aplique força.
	Usar sempre óculos de protecção ao trabalhar com a máquina.
	Sempre use a protecção dos ouvidos.
	Use uma máscara de protecção contra pó apropriada.
	Use luvas de protecção!
	Trabalhe sempre com as duas mãos.
	Só para trabalhos de lixar.
	Só para trabalhos de separação.
	Preste atenção à espessura admissível do disco.
	Acessório - Não incluído no equipamento normal, disponível como acessório.

	Aparelhos eléctricos, baterias/acumuladores não devem ser jogados no lixo doméstico. Os aparelhos eléctricos e as baterias devem ser colectados separadamente e entregues a uma empresa de reciclagem para a eliminação correcta. Solicite informações sobre empresas de reciclagem e postos de colecta de lixo das autoridades locais ou do seu vendedor autorizado.
<b>n</b>	Número de rotações nominal
<b>V</b>	Tensão
	Corrente contínua
	Marca de Conformidade Europeia
	Marca de Conformidade Britânica
	Marca de Conformidade Ucraniana
	Marca de Conformidade Eurasíatica

**TECHNISCHE GEGEVENS** **M18 ONEFLAG230XPDB**

Type	Accu-haakse slijpmachine
Productienummer	4835 68 01 XXXXXX MJJJJ
Spanning wisselakku	18 V $\equiv$
Bluetooth-frequentieband (frequentiebanden)	2400 - 2483,5 MHz
Hoogfrequent vermogen	2 dBm
Bluetooth-versie	4.2 BT signal mode
Nominaal toerental	6600 min <sup>-1</sup>
Asaansluiting	M14
D=Slijpschijf-Ø max.	230 mm
d=Asgat-Ø	22,2 mm
	b=Slijpschijfdikte max. 8 mm
	b=Dikte doorslijpschijven max. / min. 3 mm / 1,9 mm
	D=Diameter schuurschijf max. 230 mm
	D=Komborstel-Ø max. 100 mm

Gewicht volgens de EPTA-procedure 01/2014 (Li-Ion 2,0 Ah ... 12,0 Ah)	4,2 ... 5,4 kg
Aanbevolen omgevingstemperatuur voor het bedrijf	-18 ... +50 °C
Aanbevolen accupacks	M18B...; M18HB...
Aanbevolen laadtoestellen	M12-18...; M1418C6

**Geluidsinformatie:** Meetwaarden vastgesteld volgens EN 60745. Het kenmerkende A-gewogen geluidsniveau van de machine bedraagt:

Geluidsdrukniveau / Onzekerheid K	88,4 dB (A) / 3 dB (A)
Geluidsvermogeniveau / Onzekerheid K	99,4 dB (A) / 3 dB (A)

**Draag oorbeschermers!**

**Trillingsinformatie:** Totale trillingswaarden (vectorsom van drie richtingebepaald volgens EN 60745.

Trillingsemisiewaarde a <sub>w</sub> / Onzekerheid K	
Schuren van oppervlakken	5,5 m/s <sup>2</sup> / 1,5 m/s <sup>2</sup>
Schuren met schuurblad	3,2 m/s <sup>2</sup> / 1,5 m/s <sup>2</sup>

Bij andere toepassingen zoals bijv. doorslijpen of schuren met de staalborstel, kunnen andere trilwaarden ontstaan!

**WAARSCHUWING!**

De in dit informatieblad vermelde trillings- en geluidsniveaus zijn gemeten in overeenstemming met een standaard testmethode conform EN 60745 en kunnen worden gebruikt om gereedschap met elkaar te vergelijken. Deze kunnen ook worden gebruikt voor het vooraf evalueren van de blootstelling.

De vermelde trillings- en geluidsniveaus gelden voor de meest gebruikelijke toepassingen van het gereedschap. Wanneer het gereedschap echter voor andere doeleinden of met andere hulpstukken gebruikt wordt of niet naar behoren onderhouden wordt, kan de mate van blootstelling over de hele werkperiode aanzienlijk hoger uitvallen.

Voor een nauwkeurige inschatting van de blootstelling aan trillingen en geluid moet ook de tijd in aanmerking worden genomen die het apparaat uitgeschakeld is of weliswaar loopt, maar niet werkelijk in gebruik is. Dit kan de waarde van de mate aan blootstelling over de hele werkperiode aanzienlijk verminderen.

Bepaal extra veiligheidsmaatregelen ter bescherming van de gebruiker tegen de gevolgen van trillingen en/of geluid, bijvoorbeeld: onderhoud van het gereedschap en hulpstukken, warmhouden van de handen, organisatie van de werkprocessen.

**WAARSCHUWING!** Lees alle veiligheidsinstructies en aanwijzingen door. Als de waarschuwingen en voorschriften niet worden opgevolgd, kan dit een elektrische schok, brand of ernstig letsel tot gevolg hebben.

**Bewaar alle waarschuwingen en voorschriften voor toekomstig gebruik.**

**doorslijpmachine. Neem alle waarschuwingen, aanwijzingen, afbeeldingen en gegevens die u bij het elektrische gereedschap ontvangt in acht.** Als u de volgende aanwijzingen niet in acht neemt, kunnen een elektrische schok, brand en/of ernstig letsel het gevolg zijn.

**b) Dit elektrische gereedschap is niet geschikt voor het polijsten.** Ondoelmatig gebruik van dit elektrische gereedschap kan leiden tot gevaren en persoonlijk letsel.

**c) Gebruik uitsluitend toebehoren dat door de fabrikant speciaal voor dit elektrische gereedschap is voorzien en geadviseerd.** Het feit dat u het toebehoren aan het elektrische gereedschap kunt bevestigen, waarborgt nog geen veilig gebruik.

**VEILIGHEIDSinSTRUCTIES VOOR HAAKSE SLIJPERS**

**Algemene waarschuwingen voor slijpen, schuren, borstelen, polijsten en doorslijpen:**

**a) Dit elektrische gereedschap is bestemd voor gebruik als slijpmachine, schuurmachine, borstelmaschine en**

d) Het toelaatbare toerental van het inzetgereedschap moet minstens even hoog zijn als het maximale toerental dat op het elektrische gereedschap is aangegeven. Toebehoren dat sneller draait dan toegestaan, kan breken en in het rond vliegen.

e) De buitendiameter en de dikte van het inzetgereedschap moeten overeenkomen met de maatgegevens van het elektrische gereedschap. Inzetgereedschappen met onjuiste afmetingen kunnen niet voldoende afgeschermd of gecontroleerd worden.

f) De schroefdraden van het toebehoren moeten overeenstemmen met de schroefdraden van de slijpspil. Bij toebehoren dat moet worden aangeflensd, moet de boring op de opspandoom in het toebehoren overeenstemmen met de diameter van de centreerflens. Toebehoren dat niet op de montageboom van het apparaat past, loopt excentrisch, trilt buitengewoon sterk en kan leiden tot controleverlies over het gereedschap.

g) Gebruik geen beschadigde inzetgereedschappen. Controleer voor het gebruik altijd inzetgereedschappen zoals slijpschijven op afsplinteringen en scheuren, steunschijven op scheuren of sterke slijtage en draadborstels op losse of gebroken draden. Als het elektrische gereedschap of het inzetgereedschap valt, dient u te controleren of het beschadigd is, of gebruik een onbeschadigd inzetgereedschap. Als u het inzetgereedschap hebt gecontroleerd en ingezet, laat u het elektrische gereedschap een minuut lang met het maximale toerental lopen. Daarbij dient u en dienen andere personen uit de buurt van het ronddraaiende inzetgereedschap te blijven. Beschadigde inzetgereedschappen breken meestal gedurende deze testtijd.

h) Draag persoonlijke beschermende uitrusting. Gebruik afhankelijk van de toepassing een volledige gezichtsbescherming, oogbescherming of veiligheidsbril. Draag voor zover van toepassing een stofmasker, een gehoorbescherming, werkhandschoenen of een speciaal schort dat kleine slijp- en materiaaldeeltjes tegenhoudt. Uw ogen moeten worden beschermd tegen wegvliegende deeltjes die bij verschillende toepassingen ontstaan. Een stof- of adembeschermingsmasker moet het bij de toepassing staande stof filteren. Als u lang wordt blootgesteld aan luid lawaai, kan uw gehoor worden beschadigd.

i) Let erop dat andere personen zich op een veilige afstand bevinden van de plaats waar u werkt. Iedereen die de werkomgeving betreedt, moet persoonlijke beschermende uitrusting dragen. Brokstukken van het werkstuk of gebroken inzetgereedschappen kunnen wegvliegen en verwondingen veroorzaken, ook buiten de directe werkomgeving.

j) Houd het apparaat alléén aan de geïsoleerde grijpvlakken vast, wanneer u werkzaamheden uitvoert waarbij het snijgereedschap verborgen stroomleidingen zou kunnen raken. Het contact van het snijgereedschap met een spanningvoerende leiding kan de metalen apparaatdelen onder spanning zetten en zo tot een elektrische schok leiden.

k) Leg het elektrische gereedschap nooit neer, vóór het inzetstuk volledig tot stilstand is gekomen. Het draaiende inzetgereedschap kan in contact komen met het oppervlak, waardoor u de controle over het elektrische gereedschap kunt verliezen.

l) Laat het elektrische gereedschap niet lopen terwijl u het draagt. Uw kleding kan door toevallig contact met het draaiende inzetgereedschap worden meegenomen en het inzetgereedschap kan zich in uw lichaam boren.

m) Reinig regelmatig de ventilatieopeningen van het elektrische gereedschap. De motorventilator trekt stof in het huis en een sterke ophoping van metaalstof kan elektrische gevaren veroorzaken.

n) Gebruik het elektrische gereedschap niet in de buurt van brandbare materialen. Vonken kunnen deze materialen ontsteken.

o) Gebruik geen inzetgereedschappen waarvoor vloeibare koelmiddelen vereist zijn. Het gebruik van water of andere vloeibare koelmiddelen kan tot een elektrische schok leiden.

## Terugslag en bijbehorende waarschuwingen

Terugslag is de plotselinge reactie als gevolg van een vasthakend of geblokkeerd draaiend inzetgereedschap, zoals een slijpschijf, steunschijf, draadborstel, enz. Vasthakend of blokkeren leidt tot abrupte stilstand van het ronddraaiende inzetgereedschap. Daardoor wordt een ongecontroleerd elektrisch gereedschap tegen de draairichting van het inzetgereedschap versneld op de plaats van de blokkering.

Als bijvoorbeeld een slijpschijf in het werkstuk vasthaakt of blokkeert, kan de rand van de slijpschijf die in het werkstuk invalt, zich vastgrijpen. Daardoor kan de slijpschijf uitbreken of een terugslag veroorzaken. De slijpschijf beweegt zich vervolgens naar de bediener toe of van de bediener weg, afhankelijk van de draairichting van de schijf op de plaats van de blokkering. Hierbij kunnen slijpschijven ook breken.

Een terugslag is het gevolg van het verkeerd gebruik of onjuiste gebruiksomstandigheden van het elektrische gereedschap. Terugslag kan worden voorkomen door geschikte voorzorgsmaatregelen, zoals hieronder beschreven.

a) Houd het elektrische gereedschap goed vast en breng uw lichaam en uw armen in een positie waarin u de terugslagkrachten kunt opvangen. Gebruik altijd de extra handgreep, indien aanwezig, om de grootst mogelijke controle te hebben over terugslagkrachten of reactiemomenten bij het op toeren komen. De bediener kan door geschikte voorzorgsmaatregelen de terugslag- en reactiekrachten beheersen.

b) Breng uw hand nooit in de buurt van draaiende inzetgereedschappen. Accessoires kunnen over uw hand terugslaan.

c) Mijd met uw lichaam het gebied waarheen het elektrische gereedschap bij een terugslag wordt bewogen. De terugslag drijft het elektrische gereedschap in de richting die tegengesteld is aan de beweging van de slijpschijf op de plaats van de blokkering.

d) Werk bijzonder voorzichtig in de buurt van hoeken, scherpe randen, enz. Voorkom dat inzetgereedschappen van het werkstuk terugspringen en vastklemmen. Het ronddraaiende inzetgereedschap neigt er bij hoeken, scherpe randen of wanneer het terugspringt toe om zich vast te klemmen. Dit veroorzaakt een controleverlies of terugslag.

e) Gebruik geen ketting- of getand zaagblad. Dergelijke inzetstukken veroorzaken vaak een terugslag of verlies van controle over het elektrische gereedschap.

## Bijzondere waarschuwingen voor slijp- en doorslijpwerkzaamheden

a) Gebruik uitsluitend het voor het elektrische gereedschap toegestane slijptoebehoren en de voor dit slijptoebehoren voorziene beschermkap. Slijptoebehoren dat niet voor het elektrische gereedschap is voorzien, kan niet voldoende worden afgeschermd en is niet veilig.

b) Gebogen slijpschijven moeten zodanig worden gemonteerd dat het schuuroppervlak niet boven de rand van de veiligheidskap uitsteekt. Een ondeskundig gemonteerd slijpschijf die boven de rand van de veiligheidskap uitsteekt kan niet afdoende worden afgeschermd.

c) Gebruik altijd de beschermkap die voor het gebruikte soort slijpgereedschap is voorzien. De beschermkap moet stevig op het elektrische gereedschap zijn aangebracht en zodanig zijn ingesteld dat een maximum aan veiligheid wordt bereikt. Dat wil zeggen dat het kleinste mogelijke deel van het slijpgereedschap open naar de bediener wijst. De bescherming helpt om de gebruiker te beschermen tegen delen van een gebroken schijf, onbedoeld contact met de schijf en vonken die kleding in brand kunnen zetten.

d) Slijptoebehoren mag alleen worden gebruikt voor de geadviseerde toepassingsmogelijkheden. Bijvoorbeeld: slijp nooit met het zijvlak van een doorslijpschijf. Doorslijpschijven zijn bestemd voor materiaalafname met de rand van de schijf. Een zijwaartse krachtnwerking op dit slijptoebehoren kan het toebehoren breken.

e) Gebruik altijd onbeschadigde spanflenzen in de juiste maat en vorm voor de door u gekozen slijpschijf. Geschikteflenzen steunen de slijpschijf en verminderen zo het gevaar van een slijpschijfbreuk. Flenzen voor doorslijpschijven kunnen verschillen van de flenzen voor andere slijpschijven.

f) Gebruik geen versleten slijpschijven van grotere elektrische gereedschappen. Slijpschijven voor grotere elektrische gereedschappen zijn niet geconstrueerd voor de hogere toerentallen van kleinere elektrische gereedschappen en kunnen breken.

## Overige bijzondere waarschuwingen voor doorslijpwerkzaamheden

a) Voorkom blokkeren van de doorslijpschijf en te hoge aandrukkraft. Slijp niet overmatig diep. Een overbelasting van de doorslijpschijf vergroot de slijtage en de gevoeligheid voor kantelen of blokkeren en daardoor de mogelijkheid van een terugslag of breuk van het slijptoebehoren.

b) Mijd de omgeving voor en achter de ronddraaiende doorslijpschijf. Als u de doorslijpschijf in het werkstuk van u weg beweegt, kan in het geval van een terugslag het elektrische gereedschap met de draaiende schijf rechtstreeks naar u toe worden geslingerd.

c) Als de doorslijpschijf vastklemt of als u de werkzaamheden onderbreekt, schakelt u het elektrische gereedschap uit en houdt u het rustig tot de schijf tot stilstand is gekomen. Probeer nooit om de nog draaiende doorslijpschijf uit de greef te trekken. Anders kan een terugslag het gevolg zijn. Stel de oorzaak van het vastklemmen vast en maak deze ongedaan.

d) Schakel het elektrische gereedschap niet opnieuw in zolang het zich in het werkstuk bevindt. Laat de doorslijpschijf eerst het volledige toerental bereiken voordat u het doorslijpen voorzichtig voortzet. Anders kan de schijf vasthakken, uit het werkstuk springen of een terugslag veroorzaken.

e) Ondersteun platen of grote werkstukken om het risico van een terugslag door een ingeklemde doorslijpschijf te verminderen. Grote werkstukken kunnen onder hun eigen gewicht doorbuigen. Het werkstuk moet aan beide zijden worden ondersteund, vlakbij de slijpreef en aan de rand.

f) Wees bijzonder voorzichtig bij het insteekzagen in bestaande wanden of andere niet-zichtbare bereiken. De invallende doorslijpschijf kan bij het doorslijpen van gas- of waterleidingen, elektrische leidingen of andere objecten een terugslag veroorzaken.

## Bijzondere waarschuwingen voor schuurwerkzaamheden:

a) Gebruik geen schuurbladen met te grote afmetingen, maar houd u aan de voorschriften van de fabrikant voor de maten van schuurbladen. Schuurbladen die over de rand van de steunschijf uitsteken, kunnen verwondingen veroorzaken en kunnen tot blokkeren, scheuren van de schuurbladen of terugslag leiden.

## Bijzondere waarschuwingen voor werkzaamheden met draadborstels:

a) Let op dat de draadborstel ook tijdens het normale gebruik draadstukken verliest. Overbelast de draden niet door een te hoge aanpersdruk. Wegvliegende draadstukken kunnen probleemloos door dunne kleding en/of de huid dringen.

b) Als het gebruik van een beschermkap wordt geadviseerd, dient u te voorkomen dat beschermkap en draadborstel elkaar kunnen raken. Vlakstaal- en komstaalborstels kunnen door aandrukkraft en centrifugaalkrachten hun diameter vergroten.

## VERDERE VEILIGHEIDS- EN WERKINSTRUCTIES

Kijk voor het inschakelen van het apparaat altijd eerst de spindelvergrendelingsknop volledig vrij staat! Na het gebruik van de spindelvergrendeling voor het vast-/losdraaien van de slijpschijf is het mogelijk dat de knop in de vergrendelingsstand blijft steken.

Bij het schuren van metalen ontstaan vonken. Er op letten dat er geen personen in gevaar worden gebracht. In verband met het brandgevaar mogen zich geen brandbare materialen in de buurt (gebied waar de vonken vallebevinden). Geen stofafzuiging gebruiken

Voorkom dat vonkenregen en slijpstof het lichaam raken.

Niet aan de draaiende delen komen.

Spanen of splinters mogen bij draaiende machine niet worden verwijderd.

Machine onmiddellijk controleren als sterke trillingen optreden of andere gebreken worden vastgesteld. Controleer de machine om de oorzaak vast te stellen.

Over extreme omstandigheden (bijv. gladslijpen van metaal met steunschijf en slijpstift van ge vulkaniseerde vezel) kan aan zich de binnenkant van de slijpmachine vuil ophopen.

Vanwege kortsluitingsgevaar mogen metaaldeeltjes niet in de luchtschachten terechtkomen.

WAARSCHUWING! Gevaar voor verbrandingen! De schijf en het werkstuk worden tijdens het gebruik heet. Draag handschoenen bij het vervangen van schijven of het aanraken van het werkstuk. Houd uw handen te allen tijde uit de buurt van de te slijpen gebied.

WAARSCHUWING! Voorkom brand, persoonlijk letsel of materiële schade door kortsluiting en dompel het gereedschap, de wisselaccu en het laadtoestel niet onder in vloeistoffen en waarborg dat geen vloeistoffen in de apparaten en accu's kunnen dringen. Corrosieve of geleidende vloeistoffen zoals zout water, bepaalde chemicaliën, bleekmiddelen of producten die bleekmiddelen bevatten, kunnen een kortsluiting veroorzaken.

Wisselakku's en laadapparaten niet openen en alleen in droge ruimtes opslaan. Tegen vocht beschermen.

Wisselakku's van het Akku-Systeem M18 alléén met laadapparaten van het Akku-Systeem M18 laden. Geen akku's van andere systemen laden.



**WAARSCHUWING!** Dit apparaat heeft een type knoepcel-lithiumbatterij. Een nieuwe of gebruikte batterij kan leiden tot ernstige interne verbrandingen en tot de dood in minder dan twee uur indien ingeslikt of in het lichaam geplaatst. Zet de deksel van het batterijvak altijd goed vast. Als het niet goed sluit, het apparaat stoppen, de batterij verwijderen en buiten bereik van kinderen houden. Als u denkt dat iemand een batterij heeft ingeslikt of op een andere manier in het lichaam heeft geplaatst, direct een arts raadplegen.

## VOORGESCHREVEN GEBRUIK VAN HET SYSTEEM

De haakse slijpmachine is bedoeld voor het slijpen en snijden van metaal-, steen-, beton- en keramische materialen en voor het schuren en borstelen van kabels.

Gebruik bij het zagen de beschermkap uit het accessoire-assortiment.

Neem in twijfelgevallen deaanwijzingen van de toebehorenfabrikant in acht.

Het elektrische gereedschap is alleen geschikt voor de droge bewerking.

Op de haakse slijpmachine mogen uitsluitend geschikte slijp- of snijschijven en bijbehorende afschermingen (slijp- of snijbescherming), worden gemonteerd, zoals beschreven in het hoofdstuk productspecificaties van deze handleiding. De haakse slijpmachine is ontworpen voor gebruik met de hand; hij mag niet op een armatuur of werkbank worden gemonteerd.

Gebruik het product op geen andere wijze dan is aangegeven voor het beoogde gebruik.

## RESTERENDE GEVAREN

Ook als de machine volgens de voorschriften gebruikt wordt, kunnen niet alle risico's worden uitgesloten. Let bij het gebruik op de volgende gevaren:

- Door vibraties veroorzaakt letsel. Houd de machine vast aan de daarvoor bedoelde grepen en beperk de tijd die u met de machine werkt en waarin u aan de vibraties wordt blootgesteld.
- Lawaai kan leiden tot gehoorschade. Draag een gehoorbescherming en beperk de tijd waarin u aan het lawaai wordt blootgesteld.
- Door vuildeeltjes veroorzaakt oogletsel. Draag altijd een veiligheidsbril, nauwsluitende, lange broeken, handschoenen en vast schoeisel.
- Inademen van toxische stoffen.

## OPMERKINGEN OVER LI-ION-ACCU'S

### Gebruik van li-ion-accu's

Langere tijd niet toegepaste wisselakku's vóór gebruik altijd naladen.

Een temperatuur boven de 50°C vermindert de capaciteit van de accu. Langdurige verwarming door zon of hitte vermijden. De aansluitcontacten aan het laadapparaat en de accu schoonhouden.

Voor een optimale levensduur moeten de accu's na het gebruik volledig opgeladen worden.

Voor een zo lang mogelijke levensduur van de accu's dienen deze na het opladen uit het laadtoestel te worden verwijderd.

Bij een langere opslag van de accu dan 30 dagen:

accu bij ca. 27 °C droog bewaren.

accu bij ca. 30 % - 50 % van de laadtoestand bewaren.

accu om de 6 maanden opnieuw opladen.

### Overbelastingsbeveiliging voor li-ion-accu's

Bij overbelasting van de accu door zeer hoog stroomverbruik, bijv. extreem hoge draaimomenten, plotseling stoppen of kortsluiting, vibreert het elektrische gereedschap gedurende 5 seconden, de laadweergave knippert en het elektrische gereedschap schakelt automatisch uit.

Om het gereedschap weer in te schakelen, moet u de drukschakelaar loslaten en vervolgens weer inschakelen. Onder extreme belastingen wordt de accu te heet. In dit geval knipperen alle lampen van de laadweergave totdat de accu afgekoeld is. Na het doven van de laadweergave kunt u weer verder werken.

### Transport van lithium-ionen-accu's

Lithium-ionen-accu's vallen onder de wettelijke bepalingen inzake het transport van gevaarlijke goederen.

Voor het transport van deze accu's moeten de lokale, nationale en internationale voorschriften en bepalingen in acht worden genomen.

Verbruikers mogen deze accu's zonder meer over de weg transporteren.

Het commerciële transport van lithium-ionen-accu's door expeditiebedrijven is onderhevig aan de bepalingen inzake het transport van gevaarlijke goederen. De verzendingsvoorbereidingen en het transport mogen uitsluitend worden uitgevoerd door dienovereenkomstig opgeleide personen. Het complete proces moet vakkundig worden begeleid.

Onderstaande punten moeten bij het transport van accu's in acht worden genomen:

Waarborg ter vermindering van kortsluitingen dat de contacten beschermd en geïsoleerd zijn.

Let op dat het accupack in de verpakking niet kan verschuiven. Beschadigde of lekkende accu's mogen niet worden getransporteerd. Neem voor meer informatie contact op met uw expeditiebedrijf.

## ARBEIDSinSTRUCTIES

Bij gebruik van gereedschappen die bedoeld zijn voor wielen met schroefgaten, dient men te controleren dat de schroefdraad in het wiel lang

Doorslijp- en slijpschijven altijd volgens de voorschriften van de fabrikant gebruiken en bewaren.

Bij schuren en doorslijpen altijd met de beschermkap werken.

Gebogen slijpschijven moeten zodanig worden gemonteerd dat het schuuroppervlak niet boven de rand van de veiligheidskap uitsteekt.

De flensmoer moet vóór de ingebruikname van de machine aangetrokken zijn.

Altijd de zijhandgreep gebruiken.

Het te bewerken werkstuk moet vast worden ingespannen als het niet door het eigen gewicht stabiel ligt. Nooit het werkstuk met de hand tegen de schijf houden.

De flensmoer moet vóór inbedrijfstelling van de machine vast aangedraaid zijn. Als het inzetgereedschap met de flensmoer niet vast wordt aangedraaid, kan het zijn dat het insteekgereedschap bij het afremmen de vereiste spankracht verliest.

## BESCHERMING TEGEN OVERBELASTING EN TERUGSLAG

Het apparaat beschikt over een overload- en terugslagbeveiliging en stopt in geval van een dienovereenkomstige overbelasting. Schakel het elektrisch gereedschap uit en opnieuw in om verder te gaan met uw werkzaamheden.

## ZACHTE AANLOOP

De elektronische zachte aanloop zorgt voor een veilig vasthouden van de machine wanneer deze wordt ingeschakeld.

## REMSYSTEEM

De uitlopprem wordt ingeschakeld zodra de AAN/UIT-schakelaar wordt losgelaten. Daardoor wordt de schijf binnen enkele seconden afgeremd.

Leg het gereedschap altijd pas neer nadat het tot stilstand is gekomen.

In vergelijking met gereedschap zonder uitlopprem zal de uitlooptijd aanzienlijk worden verlaagd door te remmen.

## ONE-KEY™

Meer informatie over de ONE-KEY™-functionaliteit van dit gereedschap vindt u in de Quick Start-handleiding die bij dit product is meegeleverd of op <http://www.milwaukeeetool.com/one-key>

Van de App Store of Google Play kunt u de ONE-KEY app downloaden naar uw smartphone.

Storingen die door elektrostatische ontladingen worden veroorzaakt, onderbreken ook de bluetooth-communicatie. In dat geval moet de bluetooth-verbinding handmatig weer tot stand worden gebracht. De testresultaten voldoen aan onze minimumvereisten conform EN 55014-2 / EN 301 489-1 / EN 301 489-17.

## ONDERHOUD

Altijd de luchtspleten van de machine schoonhouden.

## ONDERHOUD

Gebruik uitsluitend Milwaukee toebehoren en onderdelen. Indien componenten die moeten worden vervangen niet zijn beschreven, neem dan contact op met een officieel Milwaukee servicecentrum (zie onze lijst met servicecentra).

Onder vermelding van het nummer op het machineplaatje is desgewenst een doorsnedetekening van de machine verkrijgbaar bij: Techtronic Industries GmbH, Max-Eyth-Straße 10, 71364 Winnenden, Germany.

## SYMBOLLEN



Graag instructies zorgvuldig doorlezen vóórdat u de machine in gebruik neemt.



OPGELET! WAARSCHUWING! GEVAAR!



Voor alle werkzaamheden aan de apparat de accu verwijderen.



Zorg dat knoopcelbatterijen niet worden ingeslikt!



De beschermkap niet gebruiken bij doorslijpen.



Geen kracht uitoefenen.



Kracht uitoefenen.



Bij het werken met de machine altijd een veiligheidsbril dragen.



Draag oorbeschermers.



Draag derhalve een geschikt stofbeschermsmasker.



Draag veiligheidshandschoenen!



Altijd met twee handen gebruiken.



Alleen voor het schuren.



Alleen voor het doorslijpen.



Let op de toegestane schijfdikte.



Toebehoren - Wordt niet meegeleverd. Is apart leverbaar. Zie hiervoor het toebehorenprogramma.



Elektrische apparaten, batterijen en accu's mogen niet via het huisafval worden afgevoerd. Elektrische apparaten en accu's moeten gescheiden worden verzameld en voor een milieuvriendelijke afvoer worden afgegeven bij een recyclingbedrijf. Informeer bij uw gemeente of bij uw vakhandelaar naar recyclingbedrijven en inzamelputten.

**n**

Nominaal toerental

**V**

Spanning

**≡**

Gelijkstroom

**CE**

Europees symbool van overeenstemming

**UK CA**

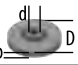
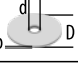


Brits symbool van overeenstemming

**001**

Oekraïens symbool van overeenstemming

**EAC**

Euro-Aziatisch symbool van overeenstemming

TEKNISKE DATA		M18 ONEFLAG230XPDB	
Type		Akku vinkelsliber	
Produktionsnummer		4835 68 01 XXXXXX MJJJ	
Udskiftningsbatteriets spænding		18 V =	
Bluetooth-frekvensbånd		2400 - 2483,5 MHz	
Højfrekvenseffekt		2 dBm	
Bluetooth-version		4.2 BT signal mode	
Nominelt omdrejningstal		6600 min <sup>-1</sup>	
Spindelgevind		M14	
D=Slibeskive-Ø maks.		230 mm	
d=borings-Ø		22,2 mm	
	b=Slibeskivetykkelse maks.		8 mm
	b=Skæreskive tykkelse maks. / min.		3 mm / 1,9 mm
	D=Slibeskive diameter maks.		230 mm
	D=Korbørstens diameter maks.		100 mm
Vægt svarer til EPTA-procedure 01/2014 (Li-Ion 2,0 Ah ... 12,0 Ah)		4,2 ... 5,4 kg	
Anbefalet omgivelsestemperatur til driften		-18 ... +50 °C	
Anbefalede batteripakker		M18B...; M18HB...	
Anbefalede opladere		M12-18...; M1418C6	
<b>Støjinformation:</b> Måleværdier beregnes iht. EN 60745. Værktøjets A-vurderede støjniveau er typisk:			
Lydtrykniveau / Usikkerhed K		88,4 dB (A) / 3 dB (A)	
Lydeffekt niveau / Usikkerhed K		99,4 dB (A) / 3 dB (A)	
<b>Brug høreværn!</b>			
<b>Vibrationsinformation:</b> Samlede vibrationsværdier (værdisum for tre retninger) beregnet iht. EN 60745.			
Vibrationseksponering a <sub>n</sub> / Usikkerhed K			
Overfladeslibning		5,5 m/s <sup>2</sup> / 1,5 m/s <sup>2</sup>	
Slibning med slibebled		3,2 m/s <sup>2</sup> / 1,5 m/s <sup>2</sup>	
Ved anden anvendelse, f.eks. kapskæring eller slibning med stålrådsbørste, kan andre vibrationsværdier forekomme!			

## ⚠ ADVARSEL!

Det vibrations- og støjemissionsniveau, der nævnes i dette oplysnings-skema, er blevet målt i overensstemmelse med en standardiseret test fra EN 60745, og det kan bruges til at sammenligne ét værktøj med et andet. Det kan bruges til en foreløbig bedømmelse af eksponeringen.

Det erklærede vibrations- og støjemissionsniveau repræsenterer værktøjets primære anvendelsesformål. Det er dog sådan, at hvis værktøjet bruges til andre formål, med forskellig tilbehør eller dårlig vedligehold, så kan vibrations- og støjemissionen variere. Det kan evt. øge eksponeringsniveauet markant i løbet af det samlede arbejdsrum.

En vurdering af eksponeringsniveauet i ft. vibration og støj bør også tage hensyn til de tidspunkter, hvor værktøjet er slukket eller hvor det kører, men rent faktisk ikke udfører jobbet. Det kan evt. mindske eksponeringsniveauet markant i løbet af det samlede arbejdsrum.

Identificér yderligere sikkerhedsforanstaltninger med henblik på at beskytte brugeren mod effekten af vibration og/eller støj, som fx: vedligehold værktøjet og tilbehøret, hold hænderne varme, organisering af arbejdsmonstre.

**⚠ ADVARSEL!** Læs alle sikkerhedsanvisninger og øvrige vejledninger. I tilfælde af manglende overholdelse af advarselshenvisningerne og instrukserne er der risiko for elektrisk stød, brand og/eller alvorlige kvæstelser.

**Opbevar alle advarselshenvisninger og instrukser til senere brug.**

## SIKKERHEDSINFORMATIONER FOR VINKELSLIBER

Fælles advarselshenvisninger til slibning, sandpapirslibning, arbejde med trådbørster, polering og skærearbejde:

a) Dette elværktøj kan anvendes som sliber, sandpapirsliber, trådbørste og skæremaskine. Læs og overhold alle advarsler, instruktioner, illustrationer og data, som du modtager i forbindelse med elværktøjet. Overholder du ikke følgende

instruktioner, kan du få elektrisk stød, der kan opstå brand og/eller du kan blive kvæstet alvorligt.

b) Dette elværktøj er ikke egnet til polering. Anvendes elværktøjet til formål, det ikke er beregnet til, kan der opstå farlige situationer, som kan medføre kvæstelser.

c) Anvend kun tilbehør, hvis det er beregnet til dette elværktøj og anbefalet af fabrikanten. En mulig fastgørelse af tilbehøret til elværktøjet sikrer ikke en sikker anvendelse.

d) Den tilladte hastighed for indsatsværktøjet skal mindst være så høj som den maksimale hastighed, der er angivet på elværktøjet. Tilbehør, der drejer hurtigere end tilladt, kan brække og de enkelte dele flyve fra hinanden.

e) Indsatsværktøjets udvendige diameter og tykkelse skal svare til målene på dit elværktøj. Forkert målt indsatsværktøj kan ikke afskærmes eller kontrolleres tilstrækkeligt.

f) Gevindene på tilbehørsdelene skal passe nøjagtigt til slibespindlens gevind. Ved tilbehørsdele, der monteres med flange, skal borehullet til opspændingsdornen i tilbehørsdelen passe nøjagtigt til lokaliseringsflangens diameter. Tilbehørsdele, der ikke passer på værktøjets monteringsdorn, roterer excentrisk, vibrerer meget kraftigt og kan føre til, at brugeren mister kontrollen over værktøjet.

g) Brug ikke el-værktøjet, hvis det er beskadiget. Kontrollér altid før brug indsatsværktøj som f.eks. slibeskiver for afsplintninger og revner, slibebagskiver for revner, slid eller stærkt slid, trådbørster for løse eller brækkede tråde. Tabes el-værktøjet eller indsatsværktøjet på jorden, skal du kontrollere, om det er beskadiget; anvend evt. et ubeskadiget indsatsværktøj. Når indsatsværktøjet er kontrolleret og indsat, skal du holde dig selv og personer, der befinder sig i nærheden, uden for det niveau, hvor indsatsværktøjet roterer, og lad el-værktøjet køre i et minut ved højeste hastighed. Beskadiget indsatsværktøj brækker for det meste i denne testtid.

h) Brug personligt beskyttelsesudstyr. Brug helmaske til ansigtet, øjenværn eller beskyttelsesbriller, afhængigt af det udførte arbejde. Brug afhængigt af arbejdets art støvmaske, høreværn, beskyttelseshandsker eller specialforklæde, der beskytter dig mod små slibe- og materialepartikler. Øjenene skal beskyttes mod fremmede genstande, der flyver rundt i luften og som opstår i forbindelse med forskelligt arbejde. Støv- eller åndedrætsmaske skal filtrere det støv, der opstår under arbejdet. Udsættes du for høj støj i længere tid, kan du lide høretab.

i) Sørg for tilstrækkelig afstand til andre personer under arbejdet. Enhver, der betræder arbejdsområdet, skal bruge personligt beskyttelsesudstyr. Brudstykker fra emnet eller brækket indsatsværktøj kan flyve væk og føre til kvæstelser også uden for det direkte arbejdsområde.

j) Hold maskinen fast i de isolerede gribeplader, når du udfører arbejde, hvor der er risiko for, at skæreværktøjet kan ramme skjulte strømledninger. Kommer skæreværktøjet i kontakt med en strømførende ledning, kan maskinens metaldele komme under spænding og give elektrisk stød.

k) Læg aldrig elværktøjet fra dig, før indsatsværktøjet er standset helt. Det roterende indsatsværktøj kan komme i kontakt med fralægningsfladen, hvorved du kan tabe kontrollen over elværktøjet.

l) Lad ikke elværktøjet køre, mens det bæres. Dit tøj kan blive fanget ved en tilfældig kontakt med det roterende indsatsværktøj, hvorved indsatsværktøjet kan bore sig ind i din krop.

m) Rengør ventilationsåbningerne på dit elværktøj med regelmæssige mellemrum. Motorhuset trækker støv ind i huset, og store mængder metalstøv kan være farligt rent elektrisk.

n) Brug ikke el-værktøjet i nærheden af brændbare materialer. Gnister kan sætte ild i materialer.

o) Brug ikke indsatsværktøj, der transporterer flydende kølemiddel. Brug af vand eller andre flydende kølemidler kan føre til elektrisk stød.

## Tilbageslag og tilsvarende advarsler

Tilbageslag er en pludselig reaktion, som skyldes, at et roterende indsatsværktøj (slibemaskine, slibebagskive, trådbørste osv.) har sat sig fast eller blokerer. Fastsættelse eller blokering fører til et pludseligt stop af det roterende indsatsværktøj. Derved accelereres et ukontrolleret el-værktøj mod indsatsværktøjets omgivelsesretning på blokeringsstedet.

Sidder f.eks. en slibeskive fast eller blokerer i et emne, kan kanten på slibeskiven, der dykker ned i emnet, blive siddende, hvorved slibeskiven brækker af eller fører til et tilbageslag. Slibeskiven bevæger sig så hen imod eller væk fra betjeningspersonen, afhængigt af skivens drejeretning på blokeringsstedet. Derved kan slibeskiver også brække.

Et tilbageslag skyldes forkert eller fejlbehæftet brug af el-værktøjet. Det kan forhindres ved at træffe egnede forsigtighedsforanstaltninger, der beskrives i det følgende.

a) Hold godt fast i el-værktøjet og sørg for at både krop og arme befinder sig i en position, der kan klare tilbageslagskræfterne. Anvend altid ekstrahåndtaget, hvis et sådant findes, for at have så meget kontrol som muligt over tilbageslagskræfterne eller reaktionsmomenterne, når maskinen kører op i hastighed. Betjeningspersonen kan beherske tilbageslags- og reaktionskræfterne med egnede forsigtighedsforanstaltninger.

b) Sørg for at din hånd aldrig kommer i nærheden af det roterende indsatsværktøj. Tilbehør kan evt. springe tilbage på din hånd.

c) Undgå at din krop befinder sig i det område, hvor el-værktøjet bevæger sig i forbindelse med et tilbageslag. Tilbageslaget driver elværktøjet i modsat retning af slibeskivens bevægelse på blokeringsstedet.

d) Arbejd særlig forsigtig i områder som f.eks. hjørner, skarpe kanter osv. Forhindre at indsatsværktøjet slår tilbage fra emnet og sætter sig fast. Det roterende indsatsværktøj har tendens til at sætte sig fast, når det anvendes i hjørner, skarpe kanter eller hvis det springer tilbage. Dette medfører, at man taber kontrollen over tilbageslaget.

e) Anvend ikke en kædesavklinge eller en tandet savklinge. Et sådant indsatsværktøj fører ofte til et tilbageslag eller at man mister kontrollen over elværktøjet.

## Særlige advarselshenvisninger til slibning og skærearbejde

a) Brug udelukkende slibeskiver/slibestifter, der er godkendt til dit elværktøj, og den beskyttelseskappe, der er beregnet til disse slibeskiver/slibestifter. Slibeskiver/slibestifter, der ikke er beregnet til el-værktøjet, kan ikke beskyttes tilstrækkeligt og er usikre.

b) Forkrøpede slibeskiver skal monteres sådan, at deres slibeflade ikke rager ud over niveauet på beskyttelsesskærmens kant. En ukorrekt monteret slibeskive, der rager ud over niveauet på beskyttelsesskærmens kant, kan ikke afskærmes tilstrækkeligt.

c) Anvend altid beskyttelseskappen, der er beregnet til den anvendte type slibeskiver/slibestifter. Beskyttelseskappen skal være anbragt sikkert på elværktøjet og være indstillet på en sådan måde, at der nås max. sikkerhed, dvs. at den mindst mulige del af slibeskiven skal pege hen imod betjeningspersonen. Skærmen hjælper med at beskytte operatøren mod adslagne klingedele, kontakt med klingens ved et uheld og gnister, som kan sætte tøj i brand.

d) Slibeskiver/slibestifter må kun anvendes til de anbefalede formål. F.eks.: Slib aldrig med sidefladen på en skæreskive. Skæreskiver er bestemt til materialeafslibning med kanten på skiven. Udsættes disse slibeskiver/slibestifter for sidevendt kraftpåvirkning, kan de adslages.

e) Anvend altid ubeskadigede spændeflanger i den rigtige størrelse og form, der passer til den valgte slibeskive. Egnede flanger støtter slibeskiven og forringer således faren for brud på slibeskiven. Flanger til skæreskiver kan være forskellige fra flanger for andre slibeskiver.

f) Brug ikke slidte slibeskiver, der passer til større elværktøj. Slibeskiver til større elværktøj kan brække, da de ikke er egnet til de højere omdrejningstal, som småt elværktøj arbejder med.

## Yderligere særlige advarselshenvisninger til skærearbejde

a) Undgå at skæreskiven blokerer eller får for højt modtryk. Foretag ikke meget dybe snit. Overbelastes skæreskiven, øges skivens belastning og der er større tendens til, at skiven kan sætte sig i klemme eller blokere, hvilket igen kan føre til tilbageslag eller brud på slibeskiven/slibestiften.

b) Undgå området for og bag ved den roterende skæreskive. Bevæger du skæreskiven i emnet væk fra dig selv, kan elværktøjets roterende skive slynge direkte ind mod dig i tilfælde af et tilbageslag.

c) Sidder skæreskiven i klemme eller afbryder du arbejdet, slukkes elværktøjet og maskinen holdes roligt, til skiven er stoppet. Forsøg aldrig at trække skæreskiven ud af snittet, mens den roterer, da dette kan føre til et tilbageslag. Lokalisér og afhjælp fejlen.

d) Tænd ikke for elværktøjet, så længe det befinder sig i emnet. Sørg for at skæreskiven når op på sit fulde omdrejningstal, før du forsigtigt fortsætter snittet. Ellers kan skiven sætte sig i klemme, springe ud af emnet eller forårsage et tilbageslag.

e) Understøt plader eller store emner for at reducere risikoen for et tilbageslag som følge af en fastklemt skæreskive. Store plader kan bøje sig under deres egen vægt. Emnet skal støttes på begge sider, både i nærheden af skæresnittet og ved kanten.

f) Vær særlig forsigtig med „lommensnit“ i eksisterende vægge eller andre områder, du ikke har indblik til. Den neddykkende skæreskive kan forårsage et tilbageslag, når der skæres i gas- eller vandledninger, elektriske ledninger eller andre genstande.

#### Særlige advarselshenvisninger til sandpapirslibning:

a) Anvend ikke overdimensioneret slibepapir, men læs og overhold fabrikantens forskrifter mht. slibepapirets størrelse. Slibepapirer, der rager ud over slibebagskiven, kan føre til kvæstelser eller blokering eller iturivning af slibepapirerne eller til tilbageslag.

#### Særlige advarselshenvisninger i forbindelse med arbejde med trådbørster:

a) Bemærk, at trådbørsten mister trådstykker også under almindelig brug. Undgå at overbelaste trådene ved for kraftigt et tryk. Udslyngede trådstykker kan meget let trænge gennem tynd beklædning og/eller huden.

b) Anbefales det at bruge en beskyttelseskappe, skal du forhindre, at beskyttelseskappe og trådbørste kan berøre hinanden. Tallerken- og kopbørster kan øge deres diameter med tryk og centrifugalkraft.

#### YDERLIGERE SIKKERHEDS- OG ARBEJDSINFORMATIONER

Kontrollér altid bunden på spindellåsen i helt løs tilstand, før værktøjet tændes! Efter at have brugt spindellåsen til at stramme / løsne slibeskiven, kan bunden eventuelt befinde sig i låst position.

Gnistregn opstår ved slibning af metal. Vær opmærksom på, at personer ikke kommer til skade. På grund af brandfare må brandbare materialer ikke opbevares i nærheden (gnistregnområde). Brug ikke støvsuger.

Undgå at gnistregn og slibestøv rammer din krop.

Pas på ikke at få hånden ind i maskinen.

Spåner eller splinter må ikke fjernes, medens maskinen kører.

Sluk straks for værktøjet, hvis der opstår betydelige svingninger eller der konstateres andre mangler. Kontrollér værktøjet og find frem til årsagen.

Under ekstreme forhold (f.eks. glatslibning af metaller med arbor og vulkaniseret fiberskive) er der risiko for ophobning af snavs på indersiden af sliberen.

Metaldele må ikke trænge ind i ventilationsåbningerne, da dette kan føre til kortslutning

ADVARSEL! Fare for forbrændinger! Skiven og arbejdsemnet kan blive varme under brug. Bær handsker når skiven skal udskiftes eller arbejdsemnet skal berøres. Hold altid hænderne væk fra slibeområdet.

ADVARSEL! For at undgå risiko for brand, kvæstelser eller beskadigelse af produktet forårsaget af kortslutning må værktøjet, batteripakken eller opladeren ikke nedsænkes i vand. Sørg ligeledes for, at der ikke trænger væske ind i enhederne og batterierne. Korroderende eller ledende væsker, f.eks. saltvand, bestemte kemikalier, blegestoffer eller produkter, som indeholder blegestoffer, kan forårsage kortslutning.

Udskiftningsbatterier og opladere må ikke åbnes og skal opbevares i tørre rum. Beskyt dem mod fugtighed.

Brug kun M18 ladeapparater for opladning af System M18 batterier.



**ADVARSEL!** Dette apparat indeholder et knapcelle litium batteri. Et nyt eller brugt batteri kan forårsage alvorlige indre forbrændinger og medføre døden på kun 2 timer, hvis det sluges eller kommer ind i kroppen.

Batterihusets lukning skal altid være sikret. Hvis det ikke lukkes sikkert, stop apparatet, fjern batteriet og hold det udenfor børns rækkevidde. Hvis du har mistanke om, at nogen har slugt batteriet eller at det er kommet ind i kroppen på anden måde, skal du opsøge en læge med det samme.

#### TILTÆNKT FORMÅL

Vinkelsliberen er beregnet til slibning og skæring af metal, sten, cement og keramisk materiale, samt sand- og trådbørstning.

Brug skæringshætten fra tilbehøret til skæringsarbejde.

Er du i tvivl, så læs vejledningen fra producenten af tilbehøret.

Det elektriske værktøj er kun egnet til tørslibning og -skæring.

Der må kun anvendes passende slibe- og skæreskiver, og dertilhørende beskyttelsesudstyr (slibe- og skæringsbeskyttelse), som beskrevet i produktspecifikationen i denne vejledning.

Vinkelsliberen er udviklet til manuel brug; den må ikke monteres på en fastgørelsesenhed eller arbejdsbænk.

Brug ikke produktet til andre formål, end de her beskrevne.

#### RESTRISICI

Selv ved korrekt brug kan alle restrisici ikke udelukkes. Brugen kan medføre følgende farer, som operatøren bør være særlig opmærksom på:

- Kvæstelser, som forårsages af vibration. Hold maskinen fast i de dertil beregnede greb og begræns arbejds- og ekspositionstiden.
- Støjbelastning kan medføre høreskader. Brug høreværn og begræns ekspositionstiden.
- Øjensskader på grund af snavspartikler. Brug altid beskyttelsesbriller, faste lange bukser, handsker og fast fodtøj.
- Indånding af giftigt støv.

#### BEMÆRKNINGER VEDRØRENDE LI-ION-BATTERIER

##### Brug af Li-ion-batterier

Udskiftningsbatterier, der ikke har været brugt i længere tid, efterlades inden brug.

Ved temperaturer over 50°C forminskes batteriets effekt. Undgå direkte sollys og stærk varme.

Tilslutningskontaktterne på oplader og udskiftningsbatterier skal holdes rene.

For at opnå en optimal levetid skal de genopladelige batterier oplades fuldt efter brug.

For at sikre en så lang levetid som muligt skal batterierne tages ud af ladeaggregatet efter opladning.

Skal batterierne opbevares længere end 30 dage:

Temperatur ca. 27°C i tørre omgivelser.

Opbevares ved ca. 30%-50% af ladetilstanden.

Batteri skal genoplades hver 6. måned.

##### Overbelastningsbeskyttelse vedrørende Li-Ion-batterier

Overbelastes batteriet på grund af meget højt strømforbrug, f.eks. som følge af ekstremt høje drejningsmomenter, pludseligt stop eller kortslutning, vibrerer el-værktøjet i 5 sekunder, ladeindikatoren blinker, og el-værktøjet slukker af sig selv.

For at tænde igen slippes trykknappen, hvorefter du tænder el-værktøjet igen. Ved ekstreme belastninger bliver batteriet for varmt. I så fald blinker alle lamper på ladeindikatoren, indtil batteriet er kølet af. Når ladeindikatoren går ud, kan arbejdet genoptages.

##### Transport af lithium-batterier

Lithium-batterier er omfattet af lovgivningen om transport af farligt gods.

Transporten af disse batterier skal ske under overholdelse af lokale, nationale og internationale regler og bestemmelser.

Forbrugere må transportere disse batterier på veje uden yderligere krav.

Den kommercielle transport af lithium-batterier ved speditorsfirmaer er omfattet af reglerne for transport af farligt gods. Forberedelsen af forsendelse og transport må kun udføres af tilsvarende trænedede personer. Den samlede proces skal følges af fagfolk.

Følgende punkter skal overholdes ved transport af batterier:

Sørg for at kontakterne er beskyttet og isoleret for at forhindre kortslutninger.

Sørg for at batteripakken ikke kan bevæge sig inden for emballagen. Beskadigede eller lækkende batterier må ikke transporteres. Kontakt dit speditorsfirma for at få yderligere oplysninger.

#### ARBEJDSANVISNINGER

For værktøj hvorpå der skal monteres hjul med gevindskåret hul, skal De sikre, at gevindet i hjulet er langt nok til at rumme aksellængden.

Benyt og opbevar kun skære- og slibeskiver iht. fabrikantens angivelser.

Anvend altid sikkerhedsskærm ved skrubbning og skæring.

Forkrøpede slibeskiver skal monteres sådan, at deres slibeblade ikke rager ud over niveauet på beskyttelseskærmens kant.

Flangemøtrikken skal spændes inden maskinen tages i brug.

Brug altid støttegrebet.

Det arbejdsemne, som skal bearbejdes, fastspændes, medmindre det holdes på plads af arbejdsemnets egenvægt. Før aldrig emnet mod skiven med hånden.

Flangemøtrikken skal være spændt godt, inden maskinen tages i brug. Hvis indsatsværktøjet ikke er spændt godt fast med flangemøtrikken, er der mulighed for, at indsatsværktøjet vil miste den nødvendige spændkraft ved bremsningen.

#### OVERBELASTNINGS- OG KICKBACK-BESKYTTELSE

Maskinen er udstyret med en overload- og anti kickback-beskyttelsesfunktion og stopper i tilfælde af overbelastning. Sluk for el-værktøjet og tænd derefter igen for el-værktøjet for at fortsætte arbejdet.

#### BLØD OPSTART

Elektronisk blød opstart til sikker håndtering; hindrer ved indkobling en maskinstart i ryk.

#### BREMSESYSTEM

Udløbsbremsen aktiveres, når udløseren slippes, hvilket medfører at værktøjet stopper efter få sekunder.

Vær sikker på, at indsatsværktøjet er helt stoppet, før du lægger det ned.

Sammenlignet med værktøj uden en udløbsbremse, vil udløbstiden være meget mindre ved bremsning.

#### ONE-KEY™

For at læse mere om dette apparats ONE-KEY funktionalitet, så se venligst quick start guiden, der følger med dette produkt, eller besøg <http://www.milwaukeetool.com/one-key>

Du kan downloade ONE-KEY-app'en til din smartphone fra App Store eller Google Play.

Fejl forårsaget af elektrostatiske afladninger fører også til en afbrydelse af Bluetooth-kommunikationen. I dette tilfælde skal Bluetooth-forbindelsen genetableres manuelt. Testresultaterne opfylder vores minimumskrav i henhold til EN 55014-2 / EN 301 489-1 / EN 301 489-17.

#### RENGØRING

Hold altid maskinens ventilationsåbninger rene.




#### VEDLIGEHOLDELSE


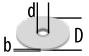

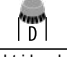
Brug kun Milwaukee-tilbehør og Milwaukee-reservedele. Komponenter, hvor udskiftningsproceduren ikke er beskrevet, skal skiftes ud hos et Milwaukee-servicested (se brochure garanti/kundeserviceadresser).

Ved opgivelse af type nr. der er angivet på maskinens effektskilt, kan de rekvirere en reservedelstegning, ved henvendelse til: Techtronic Industries GmbH, Max-Eyth-Straße 10, 71364 Winnenden, Germany.

#### SYMBOLER

	Læs brugsanvisningen nøje før ibrugtagning.
	VIGTIGT! ADVARSEL! FARE!
	Ved arbejde inden i maskinen, bør batteriet tages ud.
	Slug ikke knapbatterier!
	Brug ikke værmet til afskæringsopgaver.
	Brug ikke kraft.
	Anvend magt.
	Når der arbejdes med maskinen, skal man have beskyttelsesbriller på.
	Bær høreværn.
	Benyt egnet åndedrætsværn.
	Brug beskyttelseshandsker!
	Arbejd altid med begge hænder.
	Kun til slibearbejder.
	Kun til skærearbejder.
	Vær opmærksom på den tilladte skivetykkelse.

	Tilbehør - Ikke inkludert i leveringsomfanget, kab kjøpes som tilbehør.
	Elektrisk utstyr eller (genopladelige) batterier må ikke bortskaffes sammen med det almindelige husholdningsaffald. Elektrisk utstyr og genopladelige batterier skal indsamles særskilt og afleveres hos en genbrugsvirksomhed til en miljømæssig forsvarlig bortskaffelse. Spørg de lokale myndigheder eller din forhandler om genbrugsstationer og indsamlingssteder til sådant affald.
<b>n</b>	Nominelt omdrejningstal
<b>V</b>	Spænding
	Jævnstrøm
	Europæisk konformitetsmærke
	Britisk konformitetsmærke
	Ukrainsk konformitetsmærke
	Eurasisk konformitetsmærke

TEKNISKE DATA	M18 ONEFLAG230XPDB
Type	Batteridrevne vinkelsliper
Produksjonsnummer	4835 68 01 XXXXXX MJJJJ
Spenning vekselbatteri	18 V $\equiv$
Bluetooth-Frekvensbånd (Frekvensbånd)	2400 - 2483,5 MHz
Høyfrekvens ytelse	2 dBm
Bluetooth-versjon	4.2 BT signal mode
Nominelt turtall	6600 min <sup>-1</sup>
Spindelgjenge	M14
D=slipeskive-Ø maks.	230 mm
d=hull-Ø	22,2 mm
 b=Slipeskivetykkelse maks.	8 mm
 b=Tykkelse av kappeskiver. maks. / minimum	3 mm / 1,9 mm
 D=Diameter på slipeskiven maks.	230 mm
 D=Stålbørster-Ø maks.	100 mm
Vekt i henhold til EPTA-Prosedyren 01/2014 (Li-Ion 2,0 Ah ... 12,0 Ah)	4,2 ... 5,4 kg
Anbefalt omgivelsestemperatur for drift	-18 ... +50 °C
Anbefalte batteripakker	M18B...; M18HB...
Anbefalte ladere	M12-18...; M1418C6

**Støyinformasjon:** Måleverdier fastslått i samsvar med EN 60745.

Det typiske A-bedømte støynivået for maskinen er:

Lydtrykknivå / Usikkerhet K	88,4 dB (A) / 3 dB (A)
Lydeffektnivå / Usikkerhet K	99,4 dB (A) / 3 dB (A)

**Bruk hørselsvern!**

**Vibrasjonsinformasjoner:** Totale svingningsverdier (vektorsum fra tre retninger) beregnet jf. EN 60745.

Svingningsemissionsverdi  $a_n$  / Usikkerhet K

Sliping av overflater	5,5 m/s <sup>2</sup> / 1,5 m/s <sup>2</sup>
Sliping med slipeblad	3,2 m/s <sup>2</sup> / 1,5 m/s <sup>2</sup>

Ved andre anvendelser, som f.eks. kutting eller sliping med stålbørste, kan andre vibrasjonsverdier oppstås!

**⚠ ADVARSEL!**

De angitte vibrasjonseksponering- og støynivåverdiene har blitt målt i samsvar med standardiserte målemetoder jmfør EN 60745 og kan brukes til å sammenligne et verktøy med et annet. De kan brukes til en foreløpig eksponeringsvurdering.

De angitte vibrasjonseksponering- og støyemisjonsverdiene gjelder for vanlig bruk av verktøyet. Dersom verktøyet blir brukt til noe annet, sammen med annet utstyr eller er dårlig vedlikeholdt kan de angitte vibrasjonseksponering- og støyeverdiene variere. Dette kan øke eksponerings- og emisjonsverdiene betraktelig for hele perioden du bruker verktøyet.

Når en vurderer vibrasjonseksponeringsnivået og støyeverdi må en inkludere den perioden som verktøyet er slått av eller når verktøyet går, men ikke direkte brukes til noe. Dette kan redusere eksponeringsnivået betraktelig over hele perioden som verktøyet er i bruk.

Det er viktig å etablere ytterligere sikkerhetsiltak for å beskytte brukeren mot påvirkning av vibrasjon og/eller støy, slik som: vedlikehold av verktøyet og tilleggsutstyr, hold hendene varme, organiserte arbeidsrutiner.

**⚠ ADVARSEL!** Les alle sikkerhetsinstruksjoner og bruksanvisninger. Feil ved overholdelsen av advarslene og nedenstående anvisninger kan medføre elektriske støt, brann og/eller alvorlige skader.

**Ta godt vare på alle advarslene og informasjonene.**

**SIKKERHETSINSTRUKSJONER FOR VINKELSLIPER**

Felles advarsler om sliping, sandpapisliping, arbeid med stålbørster, polering og kapping:

a) Dette elektroverktøyet skal brukes som sliper, sandpapisliper, stålbørste og kuttessliper. Følg alle advarsler, anvisninger, bilder og data som du får levert sammen med elektroverktøyet.

Hvis du ikke følger følgende anvisninger, kan det oppstå elektriske støt, ild og/eller store skader.

**b) Dette elektroverktøyet er ikke egnet til polering.** Bruk som elektroverktøyet ikke er konstruert for, kan forårsake farer og skader.

**c) Ikke bruk tilbehør som ikke er spesielt beregnet og anbefalt av produsenten for dette elektroverktøyet.** Selv om du kan feste tilbehøret på elektroverktøyet ditt, garanterer dette ingen sikker bruk.

**d) Det tillatte omdreiningstallet til elektroverktøyet må være minst så høyt som det maksimale omdreiningstallet som er oppgitt på elektroverktøyet.** Tilbehør som dreier seg raskere enn tillatt kan brenne og slynges rundt.





Følgende punkter skal tas hensyn til ved transport:

Kontroller at kontaktene er beskyttet og isolert for å unngå kortslutninger.

Pass på at batteripakken i forpakningen ikke kan skli fram og tilbake. Skadede eller batterier som lekker er det ikke lov å transportere. Ta kontakt med spedisjonsfirma for ytterligere henvisninger.

#### ARBEIDSSINSTRUKSJONER

For verktøy som skal tilpasses hjul med gjengete hull, påse at gjengen i hjulet er langt nok til spindelengden.

Bruk og oppbevar kappe- og slipeskiver alltid i henhold til produsentens anvisninger.

Arbeid alltid med vemedeksel ved rubbing og kapping.

Bøyde slipeskiver skal monteres slik at slipeflaten ikke rager ut over kanten av vernehettens flate.

Flensmutteren må være trukket til før maskinen startes.

Bruk alltid ekstrahåndtaket.

Det emnet som skal bearbeides må være fastspent, hvis det ikke blir holdt av sin egen vekt. Før aldri emnet med hånden mot skiven.

Flensmutteren må skrues skikkelig fast før maskinen igangsettes.

Dersom isettingsverktøyet ikke skrues fast med flensmutteren, består muligheten at isettingsverktøyet taper den nødvendige spennkraften ved nedbremsingen.

#### BESKYTTELSE MOT OVERBELASTNING OG KAST

Apparatet har en overlastnings- og Anti-Kickback vernefunksjon og stopper ved tilsvarende overvekt. Skru av elektroverktøyet og skru det så på igjen for å fortsette med jobben.

#### LETTOPPSTARTING

Gjennom elektronisk lettoppstart aksellerer maskinen kontinuerlig til det som er blitt valgt

#### BREMSESYSTEM

Bremsen kobles inn når startbryteren slippes og fører til at verktøyet stanser innen få sekunder.

Forsikre deg om at verktøyet har stanset helt før du legger det fra deg.

Sammenlignet med verktøy uten kjørebremser, reduseres kjøretiden betraktelig når du bremses.

#### ONE-KEY™

Mer informasjon om ONE-KEY funksjonaliteten for denne enheten finner du i Quick Start guiden som er vedlagt dette produktet eller gå til <http://www.milwaukeetool.com/one-key>

Du kan også laste ned vår ONE-Key app til din smarttelefon fra App Store eller Google Play.

Forstyrrelser forårsaket av elektrostatisk utlading fører også avbrudd av Bluetooth-tilkoblingen. I slike tilfeller må Bluetooth-forbindelsen gjenopprettes manuelt. Testresultatene oppfyller våre minimumskrav i henhold til EN 55014-2 / EN 301 489-1 / EN 301 489-17.

#### RENGJØRING

Hold alltid lufteåpningene på maskinen rene.

#### VEDLIKEHOLD

Bruk kun Milwaukee tilbehør og Milwaukee reservedeler.

Komponenter der utskifting ikke er beskrevet skal skiftes ut hos Milwaukee kundeservice (se brosjyre garanti/kundeserviceadresser).

Ved behov kan du be om en eksplosjonstegning av apparatet hos din kundeservice eller direkte hos

Techtronic Industries GmbH, Max-Eyth-Straße 10, 71364 Winnenden, Germany. Oppgi maskintype og det nummeret på typeskiltet.

#### SYMBOLER



Les nøye gjennom bruksanvisningen før maskinen tas i bruk.



OBS! ADVARSEL! FARE!



Ta ut vekselbatteriet før du arbeider på maskinen



Knoppcellebatteriet må ikke svelges!



Ikke bruk beskyttelsen til avskjæringsoperasjoner.



Ikke bruk kraft.



Bruk makt.



Bruk alltid vernebrille når du arbeider med maskinen.



Bruk hørselsvern.



Bruk derfor vernemaske som er egnet for støv.



Bruk vernehansker!



Bruk alltid to hender.



Kun for sliping.



Kun for kapping.



Vær oppmerksom på tillatt platetykkelse.



Tilbehør - inngår ikke i leveransen, anbefalt komplette- ring fra tilbehørsprogrammet.



Elektriske apparater, batterier/oppladbare batterier skal ikke kastes sammen med vanlig husholdningsavfall. Elektriske og elektroniske apparater og oppladbare batterier skal samles separat og leveres til miljøvennlig deponering hos en avfallsbedrift. Informer deg hos myndighetene på stedet eller hos din fagforhandler hvor det finnes recycling bedrifter og oppsamlingssteder.

n

Nominelt turtall

V

Spenning



Likestrøm



Europeisk samsvarsmerke



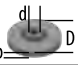
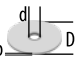
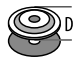

Britisk samsvarsmerke



Ukrainsk samsvarsmerke



Euroasiatisk samsvarsmerke

TEKNISKA DATA		M18 ONEFLAG230XPDB
Typ	Batteridrevne vinkelslip	
Produktionsnummer	4835 68 01 XXXXXX MJJJ	
Batterispänning	18 V =	
Bluetooth-frekvensband	2400 - 2483,5 MHz	
Hörfrekvens effekt	2 dBm	
Bluetooth-Version	4.2 BT signal mode	
Märkvarvtal	6600 min <sup>-1</sup>	
Spindelgånga	M14	
D=Slipskivor-Ø max.	230 mm	
d=Ø hål	22,2 mm	
	b=Slipskivstjocklek max.	8 mm
	b=Kapskivstjocklek max. / min.	3 mm / 1,9 mm
	D=Slipskivans diameter max.	230 mm
	D=Stålborste Ø max.	100 mm
Vikt enligt EPTA 01/2014 (Li-Ion 2,0 Ah ... 12,0 Ah)	4,2 ... 5,4 kg	
Rekommenderad omgivningstemperatur för driften	-18 ... +50 °C	
Rekommenderade batterier (Akkupacks)	M18B...; M18HB...	
Rekommenderade laddare	M12-18...; M1418C6	
<b>Bullerinformation:</b> Mätvärdena har tagits fram baserade på EN 60745.		
A-värdet av maskinens ljudnivå utgör:		
Ljudtrycksnivå / Onoggrannhet K	88,4 dB (A) / 3 dB (A)	
Ljudeffektsnivå / Onoggrannhet K	99,4 dB (A) / 3 dB (A)	
<b>Använd hörselskydd!</b>		
<b>Vibrationsinformation:</b> Totala vibrationsvärden (vektorsumma ur tre riktningar) framtaget enligt EN 60745.		
Vibrationsemissionsvärde a <sub>v</sub> / Onoggrannhet K		
Ytslipning	5,5 m/s <sup>2</sup> / 1,5 m/s <sup>2</sup>	
Slipning med slipblad	3,2 m/s <sup>2</sup> / 1,5 m/s <sup>2</sup>	
Om man använder verktyget för andra ändamål, t ex för kapning eller slipning med stålborste, kan man få andra vibrationsvärden!		

## ! VARNING!

De deklarerade vibrations- och bullernivåerna på detta informationsblad har uppmätts i enlighet med en standardiserad testmetod enligt EN 60745 och kan användas för att jämföra ett verktyg med ett annat. Det kan användas för en preliminär bedömning av exponeringen.

Den angivna vibrations- och bullernivån representerar verktygets huvudsakliga tillämpningar. Om verktyget emellertid används för olika tillämpningar, med olika eller dåligt underhållna tillbehör, kan vibrations- och bullerutsläppet variera. Detta kan öka exponeringsnivån avsevärt över den totala arbetsperioden.

En uppskattning av exponeringsnivån för vibrationer och buller bör även ta hänsyn till de tider då verktyget är avstängt eller när det körs utan att faktiskt arbeta. Detta kan avsevärt minska exponeringsnivån över den totala arbetsperioden.

Identifiera ytterligare säkerhetsåtgärder för att skydda operatören mot effekterna av vibrationer och/eller buller såsom: underhåll av verktyget och tillbehören, hålla händerna varma, organisation av arbetsmönster.

**! VARNING!** Läs alla säkerhetsanvisningar och andra tillhörande anvisningar. Fel som uppstår till följd av att anvisningarna nedan inte följts kan orsaka elstöt, brand och/eller allvariga kroppsskador.

**Förvara alla varningar och anvisningar för framtida bruk.**

## SÄKERHETSINSTRUKTIONER FÖR VINKELSLIP

**Gemensamma säkerhetsanvisningar för slipning, sandpappersslipning, arbeten med stålborste, polering och kapslipning:**

**a) Elverktyget kan användas som slip-, slippappersslip-, stålborste-, och kapslipmaskin. Beakta alla säkerhetsanvisningar, anvisningar, illustrationer och data som levereras med elverktyget.** Om nedanstående anvisningar ignoreras finns risk för att elstöt, brand och/eller allvariga personskador uppstår.

**b) Den här maskinen är inte avsedd för polering.** Tillämpningar som maskinen inte är avsedd för kan förorsaka faror och personskador.

**c) Använd inte tillbehör som tillverkaren inte uttryckligen godkännt och rekommenderat för detta elverktyg.** Även om tillbehör kan fästas på elverktyget finns det ingen garanti för en säker användning.

**d) Det tillåtna varvtalet för insatsverktyget måste minst vara så högt som angivet högsta varvtal på elektroverktyget.**

Tillbehör som roterar snabbare än tillåtet, kan gå sönder och flyga omkring.

**e) Insatsverktygets yttre diameter och tjocklek måste motsvara elverktygets dimensioner.** Feldimensionerade insatsverktyg kan inte på betryggande sätt avskämmas och kontrolleras.

**f) Gången på respektive tillbehör ska stämma överens med gången på slippindel. Hos tillbehör som flänsas på ska borrhålet för spännstiftet på respektive tillbehör stämma överens med lokaliseringsflänsens diameter.** Tillbehör som inte passar på verktygets montagestift har en excentrisk rörelse, vibrerar mycket kraftigt och kan leda till att man förlorar kontrollen över verktyget.

**g) Använd aldrig skadade insatsverktyg. Kontrollera före varje användning insatsverktygen som t. ex. slipskivor avseende splitterskador och sprickor, sliprondeller avseende sprickor repor eller kraftig nedsittning, stålborstar avseende lösa eller brustna trådar. Om elverktyget eller insatsverktyget skulle falla ned kontrollera om skada uppstått eller montera ett oskadat insatsverktyg. Du och andra personer i närheten ska efter kontroll och montering av insatsverktyg ställa er utanför insatsverktygets rotationsradie och sedan låta elverktyget rotera en minut med högsta varvtal.** Skadade insatsverktyg går i de flesta fall sönder vid denna provkörning.

**h) Använd personlig skyddsutrustning. Använd alltefter avsett arbete ansiktsskärm, ögonskydd eller skyddsglasögon. Om så behövs, använd dammfiltermask, hörselskydd, skyddshandskar eller skyddsförkläde som skyddar mot små utslungade slip- och materialpartiklar. Ögonen ska skyddas mot utslungade främmande partiklar som kan uppstå under arbetet. Damm- och andningskydd måste kunna filtrera bort det damm som eventuellt uppstår under arbetet. Risk finns för hörselskada under en längre tids kraftigt buller.**

**i) Se till att obehöriga personer hålls på betryggande avstånd från arbetsområdet. Alla som rör sig inom arbetsområdet måste använda personlig skyddsutrustning. Brottstycken från arbetsstycket eller insatsverktygen kan slungas ut och orsaka personskada även utanför arbetsområdet.**

**j) Håll fast apparaten med hjälp av de isolerade greppytorna när du utför arbeten där arbetsverktyget skulle kunna träffa på dolda elledningar.** Om man kommer i kontakt med en spänningsförande ledning, så kan även de delar på verktyget som är av metall bli spänningsförande och leda till att man får en elektrisk stöt.

**k) Lagg aldrig ifrån dig elverktyget förrän insatsverktyget är helt stillastående.** Det roterande insatsverktyget kan komma i beröring med underlaget varvid risk finns för att du förlorar kontrollen över verktyget.

**l) Elverktyget får inte rotera när det bärs. Kläder kan vid tillfällig kontakt med det roterande insatsverktyget dras in varvid insatsverktyget dras mot din kropp.**

**m) Rengör regelbundet elverktygets ventilationsöppning.** Motorfåken drar in damm i huset och en kraftig anhopning av metalldamm kan orsaka farliga elströmmar.

**n) Använd inte elverktyget i närheten av brännbara material.** Risk finns för att gnistor antänder materialet.

**o) Använd inte insatsverktyg som kräver flytande kylmedel.** Vatten eller andra kylvätskor kan medföra elstöt.

## Varning för bakslag

Ett bakslag är en plötslig reaktion hos insatsverktyget när t. ex. slipskivan, sliprondellen, stålborsten hakar upp sig eller blockerar. Detta leder till abrupt uppbromsning av det roterande insatsverktyget. Härvid accelererar ett okontrollerat elverktyg mot insatsverktygets rotationsriktning vid inklämningsstället.

Om t. ex. en slipskiva hakar upp sig eller blockerar i arbetsstycket kan slipskivans kant i arbetsstycket klämmas fast varvid slipskivan bryts sönder eller orsakar bakslag. Slipskivan rör sig nu mot eller bort från användaren beroende på skivans rotationsriktning vid inklämningsstället. Härvid kan slipskivor även brytas.

Bakslag uppstår till följd av missbruk eller felaktig hantering av elverktyget. Detta kan undvikas genom skyddsåtgärder som beskrivs nedan.

**a) Håll stadigt i elverktyget samt kroppen och armarna i ett läge som är lämpligt för att motstå bakslagskrafter. Använd alltid stödhandslaget för bästa möjliga kontroll av bakslagskrafter och reaktionsmoment vid start.** Användaren kan genom lämpliga försiktighetsåtgärder bättre behärska bakslags- och reaktionskrafterna.

**b) Håll alltid handen på betryggande avstånd från det roterande insatsverktyget.** Tillbehör kan ge bakslag över din hand.

**c) Undvik att hålla kroppen inom det område elverktyget vid ett bakslag rör sig.** Bakslaget kommer att driva elverktyget i motsatt riktning till slipskivans rörelse vid inklämningsstället.

**d) Var särskilt försiktig vid bearbetning av hörn, skarpa kanter osv. Håll emot så att insatsverktyget inte studsar ut från arbetsstycket eller kommer i kläm.** På hörn, skarpa kanter eller vid studsning tenderar det roterande insatsverktyget att komma i kläm. Detta kan leda till att kontrollen förloras eller att bakslag uppstår.

**e) Använd inte kedje- eller tandat sågblad.** Sådana insatsverktyg orsakar ofta bakslag eller gör att du förlorar kontrollen över elverktyget.

## Speciella varningar för slipning och kapslipning

**a) Använd endast slipkroppar som godkännts för aktuellt elverktyg och de sprängskydd som är avsedda för dessa slipkroppar.** Slipkroppar som inte är avsedda för aktuellt tryckluftverktyg kan inte på betryggande sätt skyddas och är därför farliga.

**b) Vinkelböjda slipkroppar ska monteras så, att deras slipyta inte står ut över skyddsskåpens kant.** En felaktigt monterad skipskiva som står ut över skyddsskåpens kant kan inte skämmas av på tillfredsställande sätt.

**c) Använd alltid det sprängskydd som är avsett för aktuellt slipkropp. Sprängskyddet måste monteras ordentligt på tryckluftverktyget och vara infäst så att högsta möjliga säkerhet uppnås, dvs den del av slipkroppen som är vänd mot användaren måste vara skyddad.** Skyddsanordningen hjälper att skydda operatören mot spjitter från en trasig skiva, oavsiktlig kontakt med skivan och gnistor som kan sätta eld på kläder.

**d) Slipkroppar får användas endast för rekommenderade arbeten. T. ex.: Slipa aldrig med kapskivans sidoyta.** Kapskivor är avsedda för materialavverkninng med skivans kant. Om tryck från sidan utövas mot slipkroppen kan den spricka.

**e) För vald slipskiva ska alltid oskadade spännflänsar i korrekt storlek och form användas.** Lämpliga flänsar stöder slipskivan och reducerar sålunda risken för slipskivbrott. Flänsar för kapskivor och andra slipkivor kan ha olika utseende och form.

**f) Använd inte nedsittna slipskivor från större elverktyg.** Slipskivor för större elverktyg är inte konstruerade för de mindre elverktygens högre varvtal och kan därför spricka.

## Andra speciella säkerhetsanvisningar för kapslipning





**a) Se till att kapskivan inte kommer i kläm och att den inte utsätts för högt mottryck. Försök inte skära för djupt.** Om kapskivan överbelastas ökar dess påfrestning och risk finns för att den snedvrids eller blockerar som sedan kan resultera i bakslag eller slipkroppsbrott.

**b) Undvik området framför och bakom den roterande kapskivan.** Om du rör kapskivan i arbetsstycket bort från kroppen kan i händelse av ett bakslag elverktyget med roterande skiva slungas mot din kropp.

**c) Om kapskivan kommer i kläm eller arbetet avbryts, koppla från elverktyget och håll det lugnt tills skivan stannat fullständigt. Försök aldrig dra ut en roterande kapskiva ur skärspåret då detta kan leda till bakslag.** Lokalisera och åtgärda orsaken för inklämning.



	Elektriska maskiner, batterier/uppladdningsbara batterier och får inte slängas tillsammans med de vanliga hushållssoporna. Elektriska maskiner och uppladdningsbara batterier ska samlas separat och lämnas till en avfallsstation för miljövänlig avfallshantering. Kontakta den lokala myndigheten respektive kommunen eller fråga återförsäljare var det finns speciella avfallsstationer för elskrot.
<b>n</b>	Märkvarvtal
<b>V</b>	Spänning
	Likström
	Europeiskt konformitetsmärke
	Britiskt konformitetsmärke
	Ukrainskt konformitetsmärke
	Euroasiatiskt konformitetsmärke

TEKNISET ARVOT	M18 ONEFLAG230XPDB
Tyyppi	Akkukulmahiomakone
Tuotantonumero	4835 68 01 XXXXXX MJJJJ
Jännite vaihtoakku	18 V $\equiv$
Bluetooth-taajuus (taajuudet)	2400 - 2483,5 MHz
Suurin suurtaajuusteho	2 dBm
Bluetooth-versio	4.2 BT signal mode
Nimellinen kierrosluku	6600 min <sup>-1</sup>
Karan kierre	M14
D=Hiomalaikan Ø maks.	230 mm
d=porausreikä-Ø	22,2 mm
 b=Hiomalaikan paksuus maks.	8 mm
 b=Katkaisulaikan paksuus maks. / min.	3 mm / 1,9 mm
 D=Hiomalaikan halkaisija maks.	230 mm
 D=Kupparharjan Ø maks.	100 mm
Paino EPTA-menetellyn 01/2014 mukaan (Li-Ion 2,0 Ah ... 12,0 Ah)	4,2 ... 5,4 kg
Suosittelun ympäristön lämpötila käytön aikana	-18 ... +50 °C
Suosittelut akkusarjat	M18B...; M18HB...
Suosittelut latauslaitteet	M12-18...; M1418C6
<b>Melunpäästötiedot:</b> Mitta-arvot määritetty EN 60745 mukaan. Koneen tyypillinen A-luokitettu melutaso:	
Melutaso / Epävarmuus K	88,4 dB (A) / 3 dB (A)
Äänenvoimakkuus / Epävarmuus K	99,4 dB (A) / 3 dB (A)
<b>Käytä kuulosuojaimia!</b>	
<b>Tärinä tiedot:</b> Värähtelyn yhteisarvot (kolmen suunnan vektorisummitattuna EN 60745 mukaan). Värähtelyemissioarvo $a_n$ / Epävarmuus K	
Pintahionta	5,5 m/s <sup>2</sup> / 1,5 m/s <sup>2</sup>
Hionta hiomapaperilla	3,2 m/s <sup>2</sup> / 1,5 m/s <sup>2</sup>
Muilla käyttötavoilla, esim. katkaisussa tai teräslankaharjalla hiottaessa, saattaa esiintyä muunlaisia tärinäarvoja!	

## VAROITUS!

Tässä tiedotteessa ilmoitettu (ilmoitetut) tärinä- ja melupäästöarvo(t) on mitattu standardisoidulla testimenetelmällä SFS-EN 60745 mukaisesti ja sitä voidaan käyttää työkalun vertailumiseen toisen työkalun kanssa. Sitä voidaan käyttää alustavaan altistuksen arviointiin.

Ilmoitettu tärinä- ja melupäästöarvo koskee työkalun pääkäyttötarkoituksia. Jos kuitenkin työkalua käytetään eri käyttötarkoituksiin eri varusteiden kanssa tai huonosti huollettuna, voi tärinä- ja melupäästö erota ilmoitetusta. Tämä voi merkittävästi nostaa altistumistasoa koko työskentelyjakson ajaksi.

Arvioidussa tärinä- ja meluallistustasossa tulisi ottaa huomioon myös työkalun sammutuskerrat tai sen tyhjäkäynti. Tämä voi merkittävästi laskea altistumistasoa koko työskentelyjakson ajaksi.

Tunnista esimerkiksi seuraavat lisävarusteet, joilla voidaan suojata käyttäjää tärinän ja/tai melun vaikutuksilta: työkalun ja varusteiden ylläpito, käsien lämpimänä pito, työnkulun organisointi.

## VAROITUS!

Lue kaikki, myös annetut turvallisuusmääräykset ja käyttöohjeet. Turvallisuusohjeiden noudattamisen laiminlyönti saattaa johtaa sähköiskuun, tulipaloon ja/tai vakavaan loukkaantumiseen.

Säilytä kaikki turvallisuus- ja muut ohjeet tulevaisuutta varten.

### KULMAHIOMAKONEEN TURVALLISUUSMÄÄRÄYKSET

**Yhteiset turvallisuusohjeet hiomista, hiekkapaperihiomista, työskentelyä teräsharjan kanssa, kiillotusta ja katkaisuhiontaa varten:**

**a) Tätä sähkötyökalua tulee käyttää hiomakoneena, hiekkapaperihiomakoneena, teräsharja- ja katkaisuhiomakoneena. Ota huomioon kaikki varoohjeet, ohjeet, piirustukset ja tiedot, joita saat sähkötyökalun kanssa.**

Ellet noudata seuraavia ohjeita, saattaa se johtaa sähköiskuun, tulipaloon ja/tai vaikeisiin loukkaantumisiin.

**b) Tämä sähkötyökalu ei sovellu kiillottamiseen.** Sellainen käyttö, jota varten sähkötyökalua ei ole tehty, saattaa aiheuttaa vaaratilanteita ja vammoja.

**c) Älä käytä mitään lisälaitteita, joita ei valmistaja ole tarkoittanut tai suositellut nimenomaan tälle sähkötyökalulle.** Vain se, että pystyt kiinnittämään laitetta sähkötyökaluusi ei takaa sen turvallista käyttöä.

**d) Käyttötyökalun sallitun kierrosluvun täytyy olla vähintään yhtä korkea kuin sähkötyökalulla ilmoitettu korkein kierrosluku.** Sallittua nopeammin pyörivät lisävarusteet voivat rikkoutua ja lentää ympäriinsä.



Kaupallisessa kuljetuksessa huolintaliikkeiden täytyy kuljettaa litiumioniakkuja vaarallisten aineiden kuljetuksesta annettujen määräysten mukaisesti. Alnoastaan tähän vastaavasti koulutetut henkilöt saavat suorittaa kuljetuksen valmistelutoimet ja itse kuljetuksen. Koko prosessia tulee valvoa asiantuntevasti.

Seuraavat kohdat tulee huomioida akkuja kuljetettaessa:

Varmista, että akkujen kontaktit on suojattu ja eristetty, jotta vältetään lyhytsulut.

Huolehdi siitä, ettei akkusarja voi luiskahtaa paikaltaan pakkauksen sisällä. Vahingoittuneita tai vuotavia akkuja ei saa kuljettaa. Pyydä tarkemmat tiedot huolintaliikkeiltäsi.

#### TYÖSKENTELYOHJEITA

Varmista sellaisissa työkaluissa, joihin on tarkoitus kiinnittää kierteisreikäinen laikka, että laikan kierre on riittävän pitkä sopimaan karan pituuteen.

Käytä ja säilytä katkaisu- ja hiomalaikat aina valmistajan ohjeiden mukaan.

Rouhehionta- ja katkaisutyössä on aina käytettävä laikan suojakupua.

Taivutetut hiomalaikat täytyy asentaa niin, ettei niiden hiomapinta ulotu suojakuvun reunatason ulkopuolelle.

Laippamutterin on oltava kunnolla kiristetty ennen koneen käyttöönottoa.

Käytä aina lisäkädensijaa.

Työstettävä kappale on kiinnitettävä, ellei se omapainonsa vuoksi pysy paikallaan. Älä koskaan vie työkalua kädelläsi hiomalaikkaa vasten.

Laipan mutteri täytyy kiristää tiukkaan ennen koneen käyttöönottoa. Jos käytetty työkalua ei kiristetä tiukkaan laippamutterilla, on mahdollista, että työkalu menettää jarrutettaessa tarvittavan kiinnitystehon.

#### YLIKUORMITUS- JA TAKAISKUSUOJA

Laite on varustettu ylikuormitusuojauksella ja takapotkunestotoiminnolla ja pysähtyy, jos sitä rasitetaan liikaa. Kytke sähkötyökalu pois päältä ja sitten takaisin päälle jatkaaksesi työskentelyä.

#### PEHMEÄKÄYNNISTYKSEN

Elektronisen pehmeäkäynnistyksen vuoksi kone kiihtyy jatkuvasti kunnes ennalla valittu nopeus on saavutettu

#### JARRUTUSJÄRJESTELMÄ

Käyntijarru aktivoituu, kun virtakytkin vapautetaan pysäyttäen työkalun sekunneissa.

Varmista, että kiinnitystyökalu on täysin pysähtynyt ennen kuin lasket sen alas.

Verrattuna käyntijarruttomiin työkaluihin lyhenee käyntiaika huomattavasti jarruttamalla.

#### ONE-KEY™

Lue mukana toimitettu pikakäyttöohje tai käy verkossa sivulla <http://www.milwaukeetool.com/one-key> tutustuaksesi tämän laitteen ONE-KEY-toiminnallisuuteen.

Voit ladata ONE-KEY-sovelluksen App Storen tai Google Playn kautta älypuhelimellesi.

Sähköstaattisten purkausten aiheuttamat häiriöt johtavat myös bluetooth-yhteyden katkeamiseen. Siinä tapauksessa Bluetooth-yhteys täytyy luoda uudelleen manuaalisesti. Koestustulokset täyttävät standardien EN 55014-2 / EN 301 489-1 / EN 301 489-17 mukaiset vähimmäisvaatimuksemme.

#### PUHDISTUS

Pidä moottorin ilmanottoaukot puhtaina.

#### HUOLTO

Käytä ainoastaan Milwaukee lisätarvikkeita ja Milwaukee varaosia. Mikäli jokin komponentti, jota ei ole kuvailtu, tarvitsee vaihtoa ota yhteys johonkin Milwaukee palvelupisteistä (Kts. listamme takuuhuolintaliikkeiden/ palvelupisteiden osoitteista)

Tarpeen vaatiessa voit pyytää lähettämään laitteen kokoonpanopiirustuksen ilmoittamalla arvokilven numeron seuraavasta osoitteesta: Techtronic Industries GmbH, Max-Eyth-Straße 10, 71364 Winnenden, Germany.

#### SYMBOLIT

	Lue käyttöohjeet huolellisesti, ennen koneen käynnistämistä.
	HUOMIO! VAROITUS! VAARA!
	Ota akku pois ennen kaikkia koneeseen tehtäviä toimenpiteitä.
	Nappiparistoa ei saa nielaista!
	Älä käytä suojusta leikkaamiseen.
	Älä käytä väkivoimaa.
	Käytä voimaa.
	Käytä laitteella työskennellessäsi aina suojalaseja.
	Käytä korvasuojia.
	Koneella työskennellessä on käytettävä sopivaa suojainta.
	Käytä suojakäsineitä!
	Käytä laitetta aina kahdella kädellä.
	Vain hiontatöihin.
	Vain katkaisutöihin.
	Huomioi sallittu laikan paksuus.



Lisälaite - Ei sisälly vakiovarustukseen, saatavana lisätarvikkeena.



Sähkölaitteita, paristoja/akkuja ei saa hävittää yhdessä kotitalousjätteiden kanssa. Sähkölaitteet ja akut tulee kerätä erikseen ja toimittaa kierrätysliik- keeseen ympäristöystävällistä hävittämistä varten. Pyydä paikallisilta viranomaisilta tai alan kauppiailtasi tarkemmat tiedot kierrätyspisteistä ja keräyspaikoista.

	Nimellinen kierros-luku
	Jännite
	Tasavirta
	Euroopan säännönmukaisuusmerkki
	Britannian säännönmukaisuusmerkki
	Ukrainan säännönmukaisuusmerkki
	Euraasian säännönmukaisuusmerkki







## ΜΑΛΑΚΟ ΕΝΑΡΞΗ

Το ηλεκτρονικό σύστημα αυξάνει ομαλά τον αριθμό στροφών ώστε να αποφευχθεί μια απότομη εκκίνηση της μηχανής και να διασφαλισθεί ο σίγουρος χειρισμός της.

## ΣΥΣΤΗΜΑ ΦΡΕΝΑΡΙΣΜΑΤΟΣ

Η πέδη αδραναίως συμπλέκεται, όταν η σκανδάλη απελευθερώνεται, με αποτέλεσμα το εργαλείο να σταματά σε δευτερόλεπτα.

Βεβαιωθείτε ότι το εργαλείο εισαγωγής ακινητοποιείται πλήρως πριν το αποθέσετε στο έδαφος.

Σε σύγκριση με εργαλεία χωρίς πέδη αδραναίως, ο χρόνος αδραναίως θα είναι σημαντικά μειωμένος με την πέδηση.

## ONE-KEY™

Προκειμένου να μάθετε περισσότερα για τη λειτουργικότητα ONE-KEY της εν λόγω συσκευής, διαβάστε τον επισυναπτόμενο οδηγό γρήγορης εκκίνησης ή επισκεφτείτε τη σελίδα μας στο Διαδίκτυο <http://www.milwaukeeetool.com/one-key>

Μπορείτε να κατεβάσετε την εφαρμογή ONE-KEY στο Smartphone σας από το App Store ή το Google Play.

Μέσω παρεμβολών που οφείλονται σε ηλεκτροστατικές εκκένωσεις, διακόπεται και η τηλεπικοινωνία Bluetooth. Σε αυτή την περίπτωση πρέπει να γίνεται η σύνδεση Bluetooth χειροκίνητα. Τα αποτελέσματα δοκιμής εκπληρώνουν τις ελάχιστες απαιτήσεις μας σύμφωνα με EN 55014-2 / EN 301 489-1 / EN 301 489-17.

## ΣΥΝΤΗΡΗΣΗ ΚΑΙ ΚΑΘΑΡΙΣΜΟΣ

Διατηρείτε πάντοτε τις σχισμές εξερισμού της μηχανής καθαρές.

## ΣΥΝΤΗΡΗΣΗ

Χρησιμοποιείτε μόνο αξεσουάρ Milwaukee και ανταλλακτικά Milwaukee. Εξαρτήματα, που η αλλαγή τους δεν περιγράφεται, αντικαθίστανται σε μια τεχνική υποστήριξη της Milwaukee (βλέπε φυλλάδιο εγγύηση/ διευθύνσεις τεχνικής υποστήριξης).

Όταν χρειάζεται, μπορείτε να ζητήσετε ένα σχέδιο συναρμολόγησης της συσκευής, δίνοντας τον τύπο της μηχανής και αριθμό στην πινακίδα ισχύος, από το κέντρο σέρβις ή απευθείας από τη firma Techtronic Industries GmbH, Max-Eyth-Straße 10, 71364 Winnenden, Germany.

## ΣΥΜΒΟΛΑ

	Παρακαλώ διαβάστε σχολαστικά τις οδηγίες χρήσης πριν από την έναρξη λειτουργίας.
	ΠΡΟΣΟΧΗ! ΠΡΟΕΙΔΟΠΟΙΗΣΗ! ΚΙΝΔΥΝΟΣ!
	Πριν από κάθε εργασία στη μηχανή αφαιρείτε την ανταλλακτική μπαταρία.
	Μη καταπίνετε την μπαταρία-κουμπί!
	Μην χρησιμοποιείτε τον προφυλακτήρα για εργασίες κοπής.
	Μην βάζετε δύναμη.
	Εφαρμόστε δύναμη.

	Στις εργασίες με τη μηχανή φοράτε πάντοτε προστατευτικά γυαλιά.
	Φοράτε ωτοασπίδες.
	Να φοράτε κατάλληλη μάσκα προστασίας από σκόνη.
	Να φοράτε προστατευτικά γάντια!
	Χρησιμοποιείτε πάντα και τα δύο χέρια για τον χειρισμό.
	Μόνο για εργασίες λείανσης.
	Μόνο για εργασίες κοπής.
	Λάβετε υπόψη το επιτρεπόμενο πάχος δίσκου.
	Εξαρτήματα - Δεν περιλαμβάνονται στα υλικά παράδοσης, συνιστούμενη προσθήκη από το πρόγραμμα εξαρτημάτων.
	Ηλεκτρικά μηχανήματα, μπαταρίες/συσσωρευτές δεν επιτρέπεται να απορρίπτονται μαζί με τα οικιακά απορρίμματα. Ηλεκτρικά μηχανήματα και συσσωρευτές συλλέγονται ξεχωριστά και παραδίδονται προς ανακύκλωση με τρόπο φιλικό προς το περιβάλλον σε επιχείρηση επεξεργασίας απορριμμάτων. Ενημερωθείτε από τις τοπικές υπηρεσίες ή από ειδικευμένους εμπόρους σχετικά με κέντρα ανακύκλωσης και συλλογής απορριμμάτων.
	n Ονομαστικός αριθμός στροφών
	v Τάση
	Συνεχές ρεύμα
	CE Ευρωπαϊκό σήμα πιστότητας
	UK CA Βρετανικό σήμα πιστότητας
	Ουκρανικό σήμα πιστότητας
	EAC Ευρασιατικό σήμα πιστότητας

## TEKNIK VERILER

	M18 ONEFLAG230XPDB
Modeli	Akü açılı taşlama aleti
Üretim numarası	4835 68 01 XXXXXX MJJJJ
Kartuş akü gerilimi	18 V $\equiv$
Bluetooth frekans bandı (frekans bantları)	2400 - 2483,5 MHz
Yüksek frekans gücü	2 dBm
Bluetooth sürümü	4.2 BT signal mode
Devir sayısı	6600 min <sup>-1</sup>
Mil dişi	M14
D=taşlama diski çapı Maks.	230 mm
d=Delik ø	22,2 mm
	b=Taşlama diski kalınlığı Maks. 8 mm
	b=Kesme diski kalınlığı Maks. / Min. 3 mm / 1,9 mm
	D=Zımparalama diski çapı Maks. 230 mm
	D=Saçaklı çanak fırça çapı Maks. 100 mm
Ağırlığı ise EPTA-üretici 01/2014'e göre (Li-Ion 2,0 Ah ... 12,0 Ah)	4,2 ... 5,4 kg
Çalıştırılması için tavsiye edilen ortam sıcaklığı	-18 ... +50 °C
Tavsiye edilen güç paketleri	M18B...; M18HB...
Tavsiye edilen şarj aletleri	M12-18...; M1418C6
<b>Gürültü bilgileri:</b> Ölçüm değerleri EN 60745 e göre belirlenmektedir. Aletin, frekansa bağımlı uluslararası ses basıncı seviyesi değerlendirme eğrisi A'ya göre tipik gürültü seviyesi:	
Ses basıncı seviyesi / Tolerans K	88,4 dB (A) / 3 dB (A)
Akustik kapasite seviyesi / Tolerans K	99,4 dB (A) / 3 dB (A)
<b>Koruyucu kulaklık kullanın!</b>	
<b>Vibrasyon bilgileri:</b> Toplam titreşim değeri (üç yönün vektör toplamı) EN 60745'e göre belirlenmektedir.	
titreşim emisyon değeri a <sub>h</sub> / Tolerans K	
Üst yüzey taşlaması	5,5 m/s <sup>2</sup> / 1,5 m/s <sup>2</sup>
Zımpara kağıdı ile taşlama	3,2 m/s <sup>2</sup> / 1,5 m/s <sup>2</sup>

Diğer uygulamalarda, örneğin çelik tel fırça ile ayırarak taşlama veya taşlama işleminde başka vibrasyon değerleri ortaya çıkabilir!

## ⚠ UYARI!

Bu bilgi formunda belirtilen titreşim ve gürültü düzeyi EN 60745 uyarınca standart bir test yöntemine göre ölçülmüş olup, bir aleti diğerine karşılaştırmak için kullanılabilir. Bir maruz kalma ön değerlendirmesi için de kullanılabilir.

Bayan edilmiş titreşim ve gürültü emisyon değeri aletin ana uygulamalarını temsil eder. Ancak, alet farklı uygulamalar için veya farklı aksesuarlarla kullanılır ya da aletin bakımı yetersiz yapılırsa, titreşim ve gürültü emisyonu farklılık gösterebilir. Bu, toplam çalışma süresi boyunca maruz kalma seviyesini önemli ölçüde artırabilir.

Titreşim ve gürültüye maruz kalma seviyesi tahmininde, aletin kapalı olduğu veya çalıştığı, ancak aslında işini yapmadığı süreler de göz önünde bulundurulmalıdır. Bu, toplam çalışma süresi boyunca maruz kalma seviyesini önemli ölçüde azaltabilir.

Operatörü titreşim ve/veya gürültünün etkilerinden korumak için, aletin ve aksesuarların bakımını yapmak, elleri sıcak tutmak ve çalışma biçimlerini düzenlemek gibi ilave güvenlik önlemleri belirleyin.

**⚠ UYARI!** Güvenlikle ilgili bütün açıklamaları. Açıklanan uyarılara ve talimat hükümlerine uyulmadığı takdirde elektrik çarpmalarına, yangınlara ve/veya ağır yaralanmalara neden olunabilir.

**Bütün uyanları ve talimat hükümlerini ileride kullanmak üzere saklayın.**

## AÇILI TAŞLAYICI İÇİN GÜVENLİK UYARILARI

**Taşlama, kumlu zımpara kağıdı ile zımparalama, tel fırça ile taşlama, polisaj ve kesici taşlama işleri için müşteriye uyarılar:**

**a) Bu elektrikli el aleti taşlama, kumlu zımpara kağıdı ile zımparalama kesici taşlama olarak kullanılmak üzere**

**geliştirilmiştir. Elektrikli el aleti ile birlikte teslim edilen bütün uyarılara, talimata, şekillere ve verilere uyun hareket edin.** Aşağıdaki talimat hükümlerine uymadığınız takdirde elektrik çarpması, yangın veya ağır yaralanma tehlikesi ile karşılaşabilirsiniz.

**b) Bu elektrikli el aleti polisaj yapmaya uygun değildir.** Elektrikli alet için öngörülmemiş kullanımlar risklere ve yaralanmalara sebebiyet verebilir.

**c) Üretici tarafından özel olarak bu alet öngörülmemiş ve tavsiye edilmeden aksesuar kullanmayın.** Bir aksesuarı elektrikli el aletinize takılıyorsa güvenli kullanımı garanti etmez.



## Lityum iyon pillerin taşınması

Lityum iyon piller tehlikeli madde taşımacılığı hakkındaki yasal hükümler tabidir.

Bu piller, bölgesel, ulusal ve uluslararası yönetmeliklere ve hükümlere uyularak taşınmak zorundadır.

Tüketiciler bu pilleri herhangi bir özel şart aranmaksızın karayoluyla taşıyabilirler.

Lityum iyon pillerin nakliye şirketleri tarafından ticari taşımacılığı için tehlikeli madde taşımacılığının hükümleri geçerlidir. Sevki hazırlığı ve taşıma sadece ilgili eğitimi görmüş personel tarafından gerçekleştirilebilir. Bütün süreç uzmanca bir refakatçilik altında gerçekleştirilmelidir.

Pillerin taşınması sırasında aşağıdaki hususlara dikkat edilmesi gerekmektedir:

Kısa devre oluşmasını önlemek için kontakların korunmuş ve izole edilmiş olmasını sağlayınız.

Pil paketinin ambalajı içinde kaymamasına dikkat ediniz. Hasarlı veya akmış pillerin taşınması yasaktır. Ayrıca bilgiler için nakliye şirketinize başvurunuz.

## ÇALIŞMA AÇIKLAMALARI

Klavuz delikli teker takılacak olan aletlerde, tekerdeki klavuzun mil uzunluğunu kabul edecek kadar uzun olmasına dikkat edin.

Kesme ve taşlama disklerini daima üreticinin talimatına uygun olarak kullanın ve saklayın.

Kaba taşlama ve kesme işleri sırasında daima koruyucu kapağı kullanın.

Bombeli taşlama diskleri, taşlama yüzeyi koruyucu kapak kenarı seviyesini aşmayacak şekilde monte edilmelidir.

Flanşlı somunu aleti işleme almadan önce iyice sıkın.

Daima ilave sapı kullanın.

Kendi ağırlığı ile güvenli biçimde durmuyorsa iş parçasının uygun bir tertibatla sıkıca tespit edilmesi gerekir. İş parçasını hiçbir zaman elinizle diske doğru tutmayın.

Makine çalıştırılmadan önce flanş somunu iyice sıkılanmış olmalıdır. Kullanılan alet flanş somunu ile birlikte iyice sıkılanmadığında, kullanılan takımın frenleme sırasında gereken germe kuvvetini kaybetmesi mümkündür.

## AŞIRI YÜK VE GERİ TEPME KORUMASI

Cihaz Overload - ve Anti Kickback koruma fonksiyonlarına sahiptir ve fazla yüklenmesi halinde durur. İşe devam edebilmek için elektrikli cihazı kapatın ve yeniden çalıştırın.

## YUMUŞAK İLK

Güvenli kullanımı sağlayan elektronik yumuşak ilk hareket; alet çalıştırıldığında gerektirmeleri önerilir.

## FREN SİSTEMİ

Hızlı fren tetik bırakılınca etkinleşir ve birkaç saniye içinde aleti durdurur.

Yere yatırmadan önce eklenen aletin tamamen durduğundan emin olun.

Hızlı freni olmayan aletlere kıyasla durdurma süresi frenlemeyle oldukça azaltılır.

## ONE-KEY™

Bu cihazın ONE-KEY işlevi hakkında daha fazla bilgi edinmek için ekteki Hızlı Başlangıç Kılavuzunu okuyun ya da <http://www.milwaukeetool.com/one-key> adresini ziyaret edin.

ONE-KEY uygulamasını App Store ya da Google Play aracılığıyla akıllı telefonunuza indirebilirsiniz.

Elektrostatik deşarj olaylarının neden olduğu parazitler Bluetooth iletişimde de kesintilerine yol açmaktadır. Bu durumda Bluetooth bağlantı manuel olarak tekrar oluşturulmak zorundadır. Kontrol sonuçları EN 55014-2 / EN 301 489-1 / EN 301 489-17 standardına uygun asgari taleplerimizi yerine getirmektedir.

## TEMİZLENMESİ









Aletin havalandırma aralıklarını daima temiz tutun.

## BAKIM

Sadece Milwaukee aksesuarı ve yedek parçası kullanın. Nasıl değiştirileceği açıklanmamış olan yapı parçalarını bir Milwaukee müşteri servisinde değiştirin (Garanti ve servis adresi broşürüne dikkat edin).

Gerektiği takdirde aletin dağılık görünüş şeması, alet tipinin ve tip etiketi üzerindeki sayının bildirilmesi koşuluyla müşteri servisinden veya doğrudan Techtronic Industries GmbH, Max-Eyth-Straße 10, 71364 Winnenden, Germany adresinden istenebilir.


## SEMBOLLER




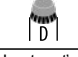
	Lütfen aleti çalıştırmadan önce kullanma kılavuzunu dikkatli biçimde okuyun.
	DİKKAT! UYARI! TEHLİKE!
	Aletin kendinde bir çalışma yapmadan önce kartuş aküyü çıkarın.
	Yassı pilleri yutmayınız!
	Korkuluğu kesme işlemleri için kullanmayın.
	Güç kullanmayın.
	Kuvvet uygulayın.
	Aletle çalışırken daima koruyucu gözlük kullanın.
	Koruyucu kulaklık kullanın.
	Uygun bir koruyucu toz maskesi kullanın
	Koruyucu eldivenlerinizi takınız!
	Her zaman iki elle çalışın.
	Sadece taşlama işleri için.
	Sadece kesme işleri için.

	İzin verilen disk kalınlığına dikkat edin.
	Aksesuar - Teslimat kapsamında değildir, önerilen tamamlamalar aksesuar programında.
	Elektrikli cihazların, pillerin/akülerin evsel atıklarla birlikte bertaraf edilmesi yasaktır. Elektrikli cihazlar ve aküler ayrılarak biriktirilmeli ve çevreye zarar vermeden bertaraf edilmeleri için bir atık değerlendirme tesisine götürülmelidir. Yerel makamlara veya satıcınıza geri dönüşüm tesisleri ve atık toplama merkezlerinin yerlerini danışınız.
<b>n</b>	Devir sayısı
<b>v</b>	Voltaj
	Doğru akım
	Avrupa uyumluluk işareti
	Britanya uyumluluk işareti
	Ukrayna uyumluluk işareti
	Avrasya uyumluluk işareti





	Elektrická zařízení, baterie/akumulátory se nesmí likvidovat společně s odpadem z domácností. Elektrická zařízení, baterie/akumulátory je třeba sbírat odděleně a odevzdat je v recyklačním podniku na ekologickou likvidaci. Na místních úřadech nebo u vašeho specializovaného prodejce se informujte na recyklační podniky a sběrné dvory.
<b>n</b>	Jmenovité otáčky
<b>V</b>	napětí
	Stejnosměrný proud
	Značka shody v Evropě
	Značka shody v Británii
	Značka shody na Ukrajině
	Značka shody pro oblast Eurasie

TECHNICKÉ ÚDAJE	M18 ONEFLAG230XPDB
Typ	Akumulátorová uhlová brúska
Výrobné číslo	4835 68 01 XXXXXX MJJJJ
Napätie výmenného akumulátora	18 V $\approx$
Frekvenčné pásmo (frekvenčné pásma) Bluetooth	2400 - 2483,5 MHz
Vysokofrekvenčný	2 dBm
Verzia Bluetooth	4.2 BT signal mode
Menovitý počet obrátok	6600 min <sup>-1</sup>
Závit vretena	M14
D=Priemer brúsneho kotúča max.	230 mm
d=ø otvoru	22,2 mm
 b=Hrúbka brúsneho kotúča max.	8 mm
 b=Hrúbka rozbrusovacieho kotúča max. / min.	3 mm / 1,9 mm
 D=Priemer brúsneho kotúča max.	230 mm
 D=miskovité kefy-ø max.	100 mm
Hmotnosť podľa vykonávacieho predpisu EPTA 01/2014 (Li-Ion 2,0 Ah ... 12,0 Ah)	4,2 ... 5,4 kg
Odporúčaná teplota okolia pre prevádzku	-18 ... +50 °C
Odporúčaná akupaky	M18B...; M18HB...
Odporúčané nabíjačky	M12-18...; M1418C6
<b>Informácia o hluku:</b> Namerané hodnoty určené v súlade s EN 60745. V triede A posudzovaná hladina hluku prístroja činí typicky:	
Hladina akustického tlaku / Kolísavosť K	88,4 dB (A) / 3 dB (A)
Hladina akustického výkonu / Kolísavosť K	99,4 dB (A) / 3 dB (A)
<b>Používajte ochranu sluchu!</b>	
<b>Informácie o vibráciách:</b> Celkové hodnoty vibrácií (vektorový súčet troch smerov) zistené v zmysle EN 60745.	
Hodnota vibračných emisií $a_h$ / Kolísavosť K	
Brúsenie povrchov	5,5 m/s <sup>2</sup> / 1,5 m/s <sup>2</sup>
Brúsenie pomocou brúsneho listu	3,2 m/s <sup>2</sup> / 1,5 m/s <sup>2</sup>
U iných aplikácií, napr. pri rozbrusovaní alebo brúsení oceľovou drôtenou kefou môžu vzniknúť vibrácie iných hodnôt!	


### POZOR!

Úroveň vibrácií a emisií hluku uvedená v tomto informačnom liste bola meraná v súlade so štandardizovanou skúškou uvedenou v EN 60745 a môže sa použiť na porovnanie jedného nástroja s druhým. Môže sa použiť v predbežnom posúdení expozície.

Deklarovaná úroveň vibrácií a emisií hluku predstavuje hlavné aplikácie nástroja. Ak sa však nástroj používa pre rôzne aplikácie, s rôznym príslušenstvom alebo s nedostatočnou údržbou, môžu sa vibrácie a emisie hluku líšiť. To môže výrazne zvýšiť úroveň expozície počas celej pracovnej doby.

Odhad úrovne expozície vibráciám a hluku by mal tiež brať do úvahy čas, keď je nástroj vypnutý alebo keď beží, ale v skutočnosti nevykonáva prácu. To môže výrazne znížiť úroveň expozície počas celej pracovnej doby.

Identifikujte dodatočné bezpečnostné opatrenia na ochranu pracovníka obsluhy pred účinkami vibrácií a/alebo hluku, ako je: údržba nástroja a príslušenstva, udržanie teplých rúk, organizácia pracovných schém.

** POZOR!** Zoznámte sa so všetkými bezpečnostnými pokynmi. Zanedbanie dodržiavania Výstražných upozornení a pokynov uvedených v nasledujúcom texte môže mať za následok zásah elektrickým prúdom, spôsobiť požiar a/alebo ťažké poranenie.

**Tieto Výstražné upozornenia a bezpečnostné pokyny starostlivo uschovajte na budúce použitie.**

### BEZPEČNOSTNÉ POKYNY PRE UHLOVÉ BRÚSKY

**Bezpečnostné pokyny pre brúsenie, brúsenie brúsnym papierom, pre prácu s drôtenou kefou, leštenie a rezanie:**

**a) Toto ručné elektrické náradie sa používa ako brúska, ako brúska na brúsenie skleneným papierom, ako drôtená kefa a ako náradie na rezanie. Rešpektujte všetky výstražné upozornenia, pokyny, obrázky a údaje, ktoré ste dostali**

**s týmto ručným elektrickým náradím.** Ak by ste nedodržiali nasledujúce pokyny, mohlo by to mať za následok zásah elektrickým prúdom, vznik požiaru a/alebo vážne poranenie.

**b) Toto ručné elektrické náradie nie je vhodné na leštenie.** Použitie tohto elektrického náradia k iným než určeným účelom môže viesť k ohrozeniu zdravia a k zraneniu.

**c) Nepoužívajte žiadne také príslušenstvo, ktoré nebolo výrobcom určené a odporúčané špeciálne pre toto ručné elektrické náradie.** Okolnosť, že príslušenstvo sa dá na ručné elektrické náradie upevniť, ešte neznamená, že to zaručuje jeho bezpečné používanie.



Pri skladovaní akumulátora po dobu dlhšiu než 30 dní: Skladujte akumulátor v suchu pri cca 27°C. Skladujte akumulátor pri cca 30%-50% nabíjacej kapacite. Opakujte nabíjanie akumulátora každých 6 mesiacov.

#### Ochrana proti preťaženiu pri lítium-iónových batériách

Pri preťažení akumulátora príliš vysokou spotrebou prúdu, napríklad pri extrémne vysokom krútiacom momente, začne elektrické náradie po dobu 5 sekúnd vibrovať, indikátor dobijania začne blikať a motor sa následne samočinne vypne.

K opätovnému zapnutiu uvoľníte a následne opäť stlačíte tlačidlový vypínač. Pri extrémnom zatažení dochádza k príliš vysokému ohrevu akumulátora. V tomto prípade začnú blikať všetky kontrolky indikátora dobijania a blikajú tak dlho, dokiaľ sa akumulátor opäť neochladí. V okamihu, keď indikátor dobijania prestane blikať, je možné v práci opäť pokračovať.

#### Preprava lítiovo-iónových batérií

Lítiovo-iónové batérie podľa zákonných ustanovení spadajú pod prepravu nebezpečného nákladu.

Preprava týchto batérií sa musí realizovať s dodržiavaním lokálnych, vnútroštátnych a medzinárodných predpisov a ustanovení.

Spotrebiteľia môžu tieto batérie bez problémov prepravovať po cestách.

Komerčná preprava lítiovo-iónových batérií prostredníctvom špedičných firiem podlieha ustanoveniam o preprave nebezpečného nákladu. Prípravu k vyexpedovaniu a samotnú prepravu smú vykonávať iba adekvátne vyškolené osoby. Na celý proces sa musí odborné dohliadať.

Pri preprave batérií treba dodržiavať nasledovné:

Zabezpeďte, aby boli kontakty chránené a izolované, aby sa zamedžilo skratom.

Dávajte pozor na to, aby sa vzáok batérií v rámci balenia nemohol zošmyknúť. Poškodené a vytečené batérie sa nesmú prepravovať. Kvôli ďalším informáciám sa obráťte na vašu špedičnú firmu.

#### NAPOTKI ZA DELO

Pri brúsných materiáloch, ktoré majú byť vybavené kotúčom so závitom, je potrebné sa uistiť, či dĺžka závitov pre vreteno je dostatočná.

Rozbrusovacia a brúsne kotúče používať a uskladňovať vždy podľa návodu výrobcu.

Pri hrubovaní a delení pracovať vždy s ochranným krytom.

Brúsne kotúče s vypuklým stredom sa musia tak namontovať, aby ich brúsna plocha nepresahovala cez plochu okraja ochranného krytu.

Pred uvedením stroja do prevádzky musí byť prírubová matica dotiahnutá.

používať vždy prídavnú rukoväť.

Opracovávaný obrobok musí byť pevne upnutý, pokiaľ nedrží vlastnou váhou. Nikdy nevedzte obrobok rukou proti kotúču.

Prírubová matica musí byť pred uvedením stroja do prevádzky pevne dotiahnutá. Ak by sa používaný nástroj pomocou prírubovej matice pevne nedotiahol, vznikla by možnosť, že používaný nástroj pri zabrzdzení stratí nevyhnutnú priťažnú silu.

#### OCHRANA PROTI PREŤAŽENIU A SPÄTNÉMU RÁZU

Stroj je vybavený ochranou proti preťaženiu a proti spätnému nárazu a pri preťažení sa automaticky vypne. Vypnite elektrické náradie a potom ho znova zapnite, aby sa mohlo pokračovať v práci.

#### JEMNÝ NÁBEH

Elektronický jemný nábeh pre bezpečné ovládanie zabraňuje trhavému nábehu stroja pri zapnutí.

#### BRZDOVÝ SYSTÉM

Prevádzková brzda sa aktivuje, keď sa spúšťač uvoľní, čo spôsobí zastavenie nástroja v priebehu niekoľkých sekúnd.

Dbajte na to, aby sa vkladací nástroj úplne zastavil pred tým, než ho položíte.

V porovnaní s nástrojmi bez prevádzkovej brzdy sa čas behu výrazne zníži brzdzením.

#### ONE-KEY™

Ak sa chcete dozvedieť viac o funkcionalite ONE-KEY tohto prístroja, pozrite si prosím Sprievodcu rýchlym štartom, ktorý je súčasťou tohto výrobku alebo choďte na <http://www.milwaukeeetool.com/one-key>

Aplikáciu ONE KEY si môžete na svoj smartphone stiahnuť z app store alebo z Google Play.

Poruchy spôsobené elektrostatickými výbojmi vedú tiež k prerušeniu komunikácie Bluetooth. V tomto prípade sa musí spojenie Bluetooth manuálne obnoviť. Výsledky skúšky spĺňajú naše minimálne požiadavky podľa EN 55014-2 / EN 301 489-1 / EN 301 489-17.

#### ČISTENIE

Vetracie otvory udržiavať stále v čistote.

#### ÚDRZBA

Používať len Milwaukee príslušenstvo a Milwaukee náhradné diely. Súčiastky bez návodu na výmenu treba dať vymeniť v jednom z Milwaukee zákazníckych centier (viď brožúru Záruka/Adresa zákazníckych centier).

Pri udaní typu stroja a čísla nachádzajúceho sa na štítiku dá sa v prípade potreby vyžiadať explozívna schéma prístroja od vášho zákazníckeho centra alebo priamo v Techtronic Industries GmbH, Max-Eyth-Straße 10, 71364 Winnenden, Germany.

#### SYMBOLY

	Pred prvým použitím prístroja si pozorne prečítajte návod na obsluhu.
	POZOR! NEBEZPEČENSTVO!
	Pred každou prácou na stroji výmenný akumulátor vytiahnuť.
	Gombíková batéria sa nesmie prehltnúť!
	Nepoužívajte ochranný kryt na rezanie.
	Nepoužívajte silu.
	Použite silu.
	Pri práci so strojom vždy noste ochranné okuliare.
	Používajte ochranu sluchu.

	Pri práci nosiť vhodnú ochrannú masku, aby sa nedostal do ľudského organizmu.
	Používajte ochranné rukavice!
	Pracujte vždy dvoma rukami.
	Iba na brúsenie.
	Iba na rezanie.
	Dbajte na prípustnú hrúbku disku.
	Príslušenstvo - nie je súčasťou štandardnej výbavy, odporúčané doplnenie z programu príslušenstva.
	Elektrické zariadenia, batérie/akumulátory sa nesmú likvidovať spolu s odpadom z domácností. Elektrické zariadenia, batérie/akumulátory treba zbierať oddelene a odovzdať ich v recyklačnom podniku na ekologickú likvidáciu. Na miestnych úradoch alebo u vášho špecializovaného predajcu sa spýtajte na recyklačné podniky a zberné dvory.
<b>n</b>	Menovitý počet obrátok
<b>V</b>	Napätie
	Jednosmerný prúd
	Značka zhody v Európe
	Značka zhody v Británii
	Značka zhody na Ukrajine
	Značka zhody pre oblasť Eurázie







**SYMBOLE**

	Przed uruchomieniem elektronarzędzia zapoznać się uważnie z treścią instrukcji.
	<b>UWAGA! OSTRZEŻENIE NIEBEZPIECZEŃSTWO!</b>
	Przed przystąpieniem do jakichkolwiek prac na elektronarzędziu należy wyjąć wkładkę akumulatorową.
	Nie należy połykać baterii guzikowych!
	Nie używaj osłony do operacji odcinania.
	Nie używać siły.
	Zastosuj siłę.
	Podczas pracy należy zawsze nosić okulary ochronne.
	Stosować środki ochrony słuchu!
	Nosić odpowiednią maskę przeciwpyłową.
	Nosić rękawice ochronne!
	Zawsze obsługuj narzędzie dwiema rękami.
	Tylko do szlifowania.
	Tylko do cięcia.
	Zwróć uwagę na dopuszczalną grubość tarczy.
	Wyposażenie dodatkowe dostępne osobno.

	Urządzenia elektryczne, baterie/akumulatory nie mogą być usuwane razem z odpadami pochodzącymi z gospodarstw domowych. Urządzenia elektryczne i akumulatory należy gromadzić oddzielnie i w celu usuwania ich do odpadów zgodnie z wymaganiami środowiska naturalnego oddawać do przedsiębiorstwa utylizacyjnego. Proszę zasięgnąć informacji o centrach recyklingowych i punktach zbiorczych u władz lokalnych lub u wyspecjalizowanego dostawcy.
<b>n</b>	Znamionowa prędkość obrotowa
<b>V</b>	Napięcie
	Prąd stały
	Europejski Certyfikat Zgodności
	Brytyjski Certyfikat Zgodności
	Ukraiński Certyfikat Zgodności
	Euroazjatycki Certyfikat Zgodności

**MŰSZAKI ADATOK** **M18 ONEFLAG230XPDB**

Felépítés	akkumulátors sarokcsiszoló
Gyártási szám	4835 68 01 XXXXXX MJJJJ
Akkumulátor feszültség	18 V $\equiv$
Bluetooth-frekvenciasáv (frekvenciasávok)	2400 - 2483,5 MHz
Nagyfrekvenciájú Bluetooth-verzió	2 dBm 4.2 BT signal mode
Névleges fordulatszám	6600 min <sup>-1</sup>
Tengelymenet	M14
D=Csiszolótarcsa-Ø max.	230 mm
d=furat Ø	22,2 mm
	b=Csiszolókorong vastagság max. 8 mm
	b=A vágókorong átmérője max. / min. 3 mm / 1,9 mm
	D=Csiszolókorong átmérő max. 230 mm
	D=Fazékkéfe Ø max. 100 mm
Súly a 01/2014 EPTA-eljárás szerint (Li-Ion 2,0 Ah ... 12,0 Ah)	4,2 ... 5,4 kg
Üzemeléshez ajánlott környezeti hőmérséklet	-18 ... +50 °C
Ájánlott akkusomagok	M18B...; M18HB...
Ájánlott töltőkészülékek	M12-18...; M1418C6
<b>Zajinformáció:</b> A közölt értékek megfelelnek az EN 60745 szabványnak.	
A készülék munkahelyi zajszintje tipikusan:	
Hangnyomás szint / K bizonytalanság	88,4 dB (A) / 3 dB (A)
Hangteljesítmény szint / K bizonytalanság	99,4 dB (A) / 3 dB (A)
<b>Hallásvédő eszköz használata ajánlott!</b>	
<b>Vibráció-információk:</b> Összesített rezgésértékek (három irányú vektorális összegaz EN 60745-nek megfelelően meghatározva).	
rezgésemisszió érték a <sub>n</sub> / K bizonytalanság	
Felületcsiszolás	5,5 m/s <sup>2</sup> / 1,5 m/s <sup>2</sup>
Csiszolás csiszolóappal	3,2 m/s <sup>2</sup> / 1,5 m/s <sup>2</sup>
Más alkalmazás, pl. darabolás vagy az acél drótkéfével végzett csiszolás esetén más vibrációs értékek adódhatnak!	

**FIGYELMEZTETÉS!**

Az adatapon feltüntetett rezgés- és zajkibocsátási szint mérésére az EN 60745 szabványos vizsgálati módszere alapján került sor, és a kapott értékek az egyes szerszámok összehasonlítására használhatók. Az értékek az expozíció előzetes értékelésében használhatók. A feltüntetett rezgés- és zajkibocsátási szint a szerszám főbb alkalmazásait tükrözi. Mindazonáltal, ha a szerszámot különböző alkalmazásokra, eltérő tartozékokkal használják, illetve a szerszám nincs megfelelően karbantartva, a rezgés- és zajkibocsátási szint eltérő lehet. Ez jelentősen növelheti az expozíciós szintet a teljes munkafolyamat során. A rezgésnek és zajnak való expozíció becsült szintjét is figyelembe kell venni a szerszám kikapcsolásakor, illetve olyankor, ha a szerszám üzemel, de valójában nem történik vele munkavégzés. Ez jelentősen csökkentheti az expozíciós szintet a teljes munkafolyamat során. Határozzon meg további biztonsági intézkedéseket, hogy védje a kezelőt a rezgés- és/vagy zajhatásoktól. Ilyen intézkedések pl.: a szerszámok és tartozékok karbantartása, a kéz melegen tartása, munkarend-szervezés.

**FIGYELMEZTETÉS!** Olvasson el minden biztonsági útmutatást és utasítást. A következőkben leírt előírások betartásának elmulasztása áramütésekhez, tűzhöz és/vagy súlyos testi sérülésekhez vezethet. **Kérjük a későbbi használatra gondosan őrizze meg ezeket az előírásokat.**

**BIZTONSÁGI TUDNIVALÓK SAROKCSISZOLÓHOZ**

**Közös figyelmeztető tájékoztató a csiszolóshoz, csiszolópapírral végzett csiszolóshoz, a drótkéfével végzett munkákhoz, polírozáshoz és daraboláshoz:**  
**a) Ez az elektromos kéziszerszám csiszológépként, csiszolópapíros csiszológépként, drótkéféként és daraboló**

**csiszológépként használható. Ügyeljen minden figyelmeztető jelzésre, előírásra, ábrára és adatra, amelyet az elektromos kéziszerszámmal együtt megkapott.** Ha nem tartja be a következő előírásokat, akkor ez áramütéshez, tűzhöz és/vagy súlyos személyi sérülésekhez vezethet.

**b) Ez az elektromos szerszám nem alkalmas polírozásra.** Az elektromos szerszám olyan használata, amely nem felel meg a rendeltetésének, veszélyeket és sérüléseket okozhat.

**c) Ne használjon olyan tartozékokat, amelyeket a gyártó ehhez az elektromos kéziszerszámhoz nem irányzott elő és nem javasolt.** Az a tény, hogy a tartozékot rögzíteni tudja az elektromos kéziszerszámmra, nem garantálja annak biztonságos alkalmazását.



## LI-ION AKKUKRA VONATKOZÓ ÚTMUTATÁSOK

### Li-ion akkuk használata

A hosszabb ideig üzemben kívül lévő akkumulátort használat előtt ismételen fel kell tölteni.

50°C feletti hőmérsékletnél csökkenhet az akkumulátor teljesítménye. Kerülni kell a túlzottan meleg helyen vagy napon történő hosszabb idejű tárolást.

A töltő és az akkumulátor csatlakozóit mindig tisztán kell tartani. Az optimális élettartam érdekében használat után az akkukat teljesen fel kell tölteni.

A lehetőleg hosszú élettartamhoz az akkukat feltöltés után ki kell venni a töltőkészülekből.

Az akku 30 napot meghaladó tárolása esetén:

Az akkut kb. 27 °C-on, száraz helyen kell tárolni.

Az akkut kb. 30-50%-os töltöttségi állapotban kell tárolni.

Az akkut 6 havonta újra fel kell tölteni.

### Akku-túlterhelés elleni védelem Li-ion akkunál

Az akku nagyon nagy áramfelhasználása következtében fellépő túlterhelése esetén - pl. rendkívül magas forgatónyomatékok, a fűró megszorulása, hirtelen leállás vagy rövidzárlat miatt – az elektromos szerszám 5 másodpercen keresztül vibrál, a töltéskijelző villog és az elektromos szerszám magától kikapcsol.

Az újbóli bekapcsoláshoz engedje el a nyomókapcsolót, majd kapcsolja be ismét. Rendkívüli terheléseknél az akku túlságosan felmelegszik. Ebben az esetben a töltéskijelző minden lámpája addig villog, amíg az akku le nem hűl. Ha a töltéskijelző kialszik, utána tovább lehet dolgozni.

### Lítium-ion akkuk szállítása

A lítium-ion akkuk a veszélyes áruk szállítására vonatkozó törvényi rendelkezések hatálya alá tartoznak.

Az ilyen akkuk szállításának a helyi, országos és nemzetközi előírások és rendelkezések betartása mellett kell történnie.

A fogyasztók minden további nélkül szállíthatják az ilyen akkukat közöttük.

A lítium-ion akkuk szállítmányozási vállalatok általi kereskedelmi célú szállítására a veszélyes áruk szállítására vonatkozó rendelkezések érvényesek. A kiszállítás előkészítését és a szállítást kizárólag megfelelő képzettségű személyek végezhetik. A teljes folyamatnak szakmai felügyelet alatt kell történnie.

A következő pontokat kell figyelembe venni akkuk szállításakor:

Biztosítsa, hogy a rövidzárlatok elkerülése érdekében az érintkezők védve és szigetelve legyenek.

Ügyeljen arra, hogy az akkucsomag ne tudjon elcsúszni a csomagoláson belül. Tilos sérült vagy kifolyt akkukat szállítani. További útmutatásokért forduljon szállítványozási vállalatához.

## A HASZNÁLATRA VONATKOZÓ ÚTMUTATÁSOK

Azoknál a szerszámoknál amelyeket menetes csiszolókkal kíván használni, győződjön meg róla, hogy a csiszoló elég hosszú ahhoz, hogy elfogadja a tengely hosszát.

A vágó- és csiszolókorongokat mindig a gyártó útmutatásainak megfelelően kell használni és tárolni.

Köszörléshez és vágáshoz a védőburkolatot mindig használni kell.

A hajlított csiszolókorongokat úgy kell felszerelni, hogy a csiszolófelületük ne érjen túl a védőburkolat szélének síkján.

A készülék használata előtt vizsgálja meg, hogy a szorítóanya megfelelően meg van-e húzva.

A készüléket a segédfogantyúval együtt kell használni.

A munkadarabot rögzíteni kell, amennyiben saját súlya nem tartja meg biztonságosan. A munkadarabot soha nem szabad kézzel vezetni a korong irányába.

A karimás anyát a gép üzembe helyezése előtt erősen meg kell húzni. Ha a betétszerszámot nem húzzák meg erősen a karimás anyával, akkor fennáll annak a lehetősége, hogy a szerszám lefékezéskor elveszíti a szükséges feszítőerőt.

## TÚLTERHELÉS ÉS VISSZARÚGÁS ELLENI VÉDELEM

A készülék túlterhelés és visszarúgás elleni funkcióval rendelkezik, és megfelelő túlterhelésnél leáll. Kapcsolja ki a villamos szerszámot, majd a munka folytatásához kapcsolja be újra.

## LÁGYINDÍTÁS

Elektronikus lágyindítás a biztonságos használat érdekében; megelőzi a gép lökészerű felfutását.

## FÉKEZŐ RENDSZER

A ráfutó fék akkor lép működésbe, ha felengedi a be-/kikapcsológombot, aminek hatására a szerszám másodperceken belül leáll.

Ügyeljen arra, hogy a behelyező szerszám teljesen leálljon, mielőtt leteszi.

A ráfutó fék nélküli szerszámokkal összehasonlítva a ráfutási idő a fékezéssel jelentősen csökken.

## ONE-KEY™

Az eszköz ONE-KEY funkcióinak részletes ismertetését megtalálja a termékhez mellékelt Gyors Kezdés útmutatóban vagy ezen a honlapon: <http://www.milwaukeetool.com/one-key>

A ONE-KEY alkalmazás az App Store-ból vagy a Google Play-ből tölthető le.

Az elektrosztatikus kisülések által okozott zavarok Bluetooth-kommunikáció megszakadását is eredményezik. Ebben az esetben manuálisan kell a Bluetooth-kapcsolatot ismét helyreállítani. A vizsgálati eredmények megfelelnek minimális követelményeinknek az EN 55014-2 / EN 301 489-1 / EN 301 489-17 szerint.

## TISZTÍTÁS

A készülék szellőzőnyílásait mindig tisztán kell tartani.



## KARBANTARTÁS

Csak Milwaukee tartozékokat és Milwaukee pótalkatrészeket szabad használni. Az olyan elemeket, melyek cseréje nincs ismertetve, cseréltesse ki Milwaukee szervizzel (lásd Garancia/Ügyfélszolgálat címei kiadványt).

Szükség esetén a készülékek robbantott ábráját - a készülék típusa és azonosító száma alapján a területileg illetékes TTI márkaszerviztől vagy közvetlenül a gyártótól (Techtronic Industries GmbH, Max-Eyth-Str. 10, 71364 Winnenden, Germany) lehet kérni.

## SZIMBÓLUMOK

	Kérjük alaposan olvassa el a tájékoztatót mielőtt a gépet használja.
	FIGYELEM! FIGYELMEZTETÉS! VESZÉLY!
	Karbantartás, javítás, tisztítás, stb. előtt az akkumulátort ki kell venni a készülékből.
	A gombelmelet ne nyelje le!
	Ne használja a védőburkolatot darabolási műveletekre.
	Ne alkalmazzon erőt.

	Alkalmazzon erőt.
	Munkavégzés közben ajánlatos védőszemüveget viselni.
	Viseljen hallásvédőt.
	Hordjon e célra alkalmas porvédőmaszkot.
	Hordjon védőkesztyűt!
	Mindig két kézzel működtesse.
	Csak csiszolási munkákhoz.
	Csak vágási munkákhoz.
	Ügyeljen a megengedett korongvastagságra.
	Azokat a tartozékokat, amelyek gyárilag nincsenek a készülékhez mellékelve, külön lehet megrendelni.
	Az elektromos eszközöket, elemeket/akkukat nem szabad a háztartási hulladékkal együtt ártalmatlanítani. Az elektromos eszközöket és akkukat szelektíven kell gyűjteni, és azokat környezetbarát ártalmatlanítás céljából hulladékhasznosító üzemben kell leadni. A helyi hatóságoknál vagy szakkereskedőjénél tájékozódjon a hulladékudvarokról és gyűjtőhelyekről.
<b>n</b>	Névleges fordulatszám
<b>V</b>	Feszültség
	Egyenáram
	Európai megfelelőségi jelölés
	Egyesült királyságbeli megfelelőségi jelölés
	Ukrán megfelelőségi jelölés
	Eurázsiai megfelelőségi jelölés





	Bodite pozorni na dovoljeno debelino plošče.
	Oprema – ni vsebovana v obsegu dobave, priporočeno dopolnilo iz programa opreme.
	Električnih naprav, baterij/akumulatorjev ni dovoljeno odstranjevati skupaj z gospodinjstvi odpadki. Električne naprave in akumulatore je potrebno zbirati ločeno in za okolju prijazno odstranitev, oddati podjetju za reciklažo. Pri krajevnem uradu ali vašem strokovnem prodajalcu se pozanimajte glede reciklažnih dvorišč in zbirnih mest.
<b>n</b>	Nazivno število vrtljajev
<b>V</b>	Napetost
	Enosmerni tok
	Evropska oznaka za združljivost
	Britanska oznaka za združljivost
	Ukrajinska oznaka za združljivost
	Evrazijska oznaka za združljivost

TEHNIČKI PODACI	M18 ONEFLAG230XPDB
Vrsta izvedbe	Akumulatorska kutni brusar
Broj proizvodnje	4835 68 01 XXXXXX MJJJJ
Napon baterije za zamjenu	18 V $\approx$
Bluetooth-pojas frekvencija (pojasevi frekvencija)	2400 - 2483,5 MHz
Visokofrekvencijska	2 dBm
Bluetooth-Verzija	4.2 BT signal mode
Nazivni broj okretaja	6600 min <sup>-1</sup>
Navoj vretena	M14
D=Brusne ploče- $\phi$ max.	230 mm
d=otvor sa $\phi$	22,2 mm

	b=Debljina brusne ploče max.	8 mm
--	------------------------------	------

	b=Debljina rezne ploče max. / min.	3 mm / 1,9 mm
--	------------------------------------	---------------

	D=Promjer brusne ploče max.	230 mm
--	-----------------------------	--------

	D=Lončaste četke- $\phi$ max.	100 mm
--	-------------------------------	--------

Težina po EPTA-proceduri 01/2014 (Li-Ion 2,0 Ah ... 12,0 Ah)	4,2 ... 5,4 kg
Preporučena temperatura okoline za pogon	-18 ... +50 °C
Preporučeni akumulatorski paket	M18B...; M18HB...
Preporučeni punjači	M12-18...; M1418C6

**Informacije o buci:** Mjerne vrijednosti utvrđene odgovarajuće EN 60745.

A-ocijenjeni nivo buke aparata iznosi tipično:

Nivo pritiska zvuka / Nesigurnost K	88,4 dB (A) / 3 dB (A)
Nivo učinka zvuka / Nesigurnost K	99,4 dB (A) / 3 dB (A)

**Nositi zaštitu sluha!**

**Informacije o vibracijama:** Ukupne vrijednosti vibracije (Vektor suma tri smjersu odmjerene odgovarajuće EN 60745)

Vrijednost emisije vibracije  $a_h$  / Nesigurnost K

Brušenje površina	5,5 m/s <sup>2</sup> / 1,5 m/s <sup>2</sup>
Brušenje brusnim listom	3,2 m/s <sup>2</sup> / 1,5 m/s <sup>2</sup>

Kod drugih primjena kao npr. brušenje presjecanjem ili brušenje sa četkom od čeličnih žica mogu nastati druge vibracijske vrijednosti!

## UPOZORENIE!

Razine emisije vibracija i buke navedena u ovom informacijskom listu izmjerene su u skladu sa standardiziranim ispitom koji propisuje EN 60745 i mogu se upotrebljavati za međusobnu usporedbu alata. Također se mogu upotrebljavati za prethodnu procjenu izloženosti.

Navedene razine emisija vibracija i buke predstavljaju glavnu svrhu primjene alata. Međutim, ako se alat upotrebljava u druge svrhe, s drugim priborom ili se ne održava dovoljno, emisije vibracija i buke mogu biti drukčije. To može značajno povećati razinu izloženosti tijekom cjelokupna razdoblja rada.

Procjena razine izloženosti vibracijama i buci također bi u obzir trebala uzeti razdoblja tijekom kojih je alat isključen ili kada je uključen, no njime se ne obavlja nikakav rad. Time se značajno može smanjiti razina izloženosti tijekom cjelokupna razdoblja rada.

Utvrđite dodatne sigurnosne mjere kako biste zaštitili rukovatelja od ovih učinaka vibracija i/ili buke, primjerice: održavanje alata i pribora, osiguravanje da ruke budu tople, organizacija obrazaca rada.

**UPOZORENIE!** Pročitajte sigurnosne upute i uputnice. Ako se ne bi poštivala napomene o sigurnosti i upute to bi moglo uzrokovati strujni udar, požar i/ili teške ozljede.

**Sačuvajte sve napomene o sigurnosti i upute za buduću primjenu.**

### SIGURNOSNE UPUTE ZA KUTNU BRUSILICU

Zajedničke upute s upozorenjima za brušenje, brušenje brusnim papirom, radove s žičanim četkama, poliranje i rezanje brušenjem:

a) Ovaj električni alat treba koristiti kao brusilicu, brusilicu s brusnim papirom, žičanu četku i rezanje brušenjem. Pridržavajte se svih naputaka s upozorenjem, uputa, prikaza

i podataka koje ste dobili s električnim alatom. Ako se ne bi pridržavali slijedećih uputa, moglo bi doći do električnog udara, požara i/ili teških ozljeda.

b) Ovaj električni alat nije prikladan za poliranje. Primjene, za koje električni alat nije predviđen, mogu prouzročiti ugrožavanja i povrede.

c) Ne koristite pribor koji proizvođač nije posebno predvidio i preporučio za ovaj električni alat. Sama činjenica da se pribor može pričvrstiti na vaš električni alat, ne jamči sigurnu primjenu.

d) Dozvoljeni broj okretaja alatnih nastavaka mora najmanje biti toliki kao što je i najveći broj okretaja naveden na električnom alatu. Oprema koja ima veći broj okretaja od dozvoljenog može se polomiti i razletjeti.





Kod transporta baterija se moraju poštivati sljedeće točke:

Uvjerite se da su kontakti zaštićeni i izolirani kako bi se izbjegli kratki spojevi.

Pazite na to, da blok baterija unutar pakiranja ne može proklizavati. Oštećene ili iscurjele baterije se ne smiju transportirati. U svezi ostalih uputa obratite se vašem prijevoznom poduzeću.

#### RADNE UPUTE

Kod brusnih sredstava, koja bi trebala biti opremljeni pločom sa navojem, utvrditi, da li je navoj u ploči dovoljno dug za vreteno.

Rezne i brusne ploče upotrijebiti i čuvati uvijek po podacima proizvođača.

Prilikom grube obrade i prosjecanja uvijek raditi sa zaštitnom kapom.

Koljenčaste brusne ploče moraju biti montirane tako, da njihova brusna površina ne strši preko ravnine ruba zaštitne kape.

Matica prirubnice mora prije puštanja stroja u rad biti zategnuta.

Uvijek primijeniti dodatnu ručicu.

Radni predmet koji se obrađuje mora biti čvrsto stegnut, ako se ne drži svojom osobnom težinom. Radni predmet ne nikada voditi rukom prema ploči.

Matica prirubnice mora prije puštanja u rad stroja biti čvrsto stegnuta. Ukoliko uporabljeni alat sa maticom prirubnice ne bude čvrsto stegnut, postoji mogućnost da alat kod zaustavljanja izgubi potrebnu zateznu silu.

#### ZAŠTITA OD PREOPTERECENJA I POV RATNOG UDARA

Ovaj aparat raspolaže sa Overload i anti Kickback zaštitnom funkcijom i zaustavlja se odgovarajuće preopterećenosti. Isključite električni alat i ponovno uključite električni alat kako biste nastavili s radom.

#### NJEŽAN START

Elektronički nježan start za sigurno rukovanje sprječava kod uključivanja grubi start stroja.

#### SUSTAV KOČENJA

Zaustavna kočnica aktivira se kada se otpusti sklopka za uključivanje, što zaustavlja alat u roku od nekoliko sekundi.

Provjerite je li se alat za umetanje u potpunosti zaustavio prije no što ga odložite.

U usporedbi s alatima bez zaustavne kočnice, vrijeme zaustavljanja uvelike će se smanjiti kočenjem.

#### ONE-KEY™

Kako biste saznali više o ONE-KEY funkcionalnosti ovog uređaja, pogledajte vodič za brzo pokretanje ili idite na mrežnu stranicu <http://www.milwaukeetool.com/one-key>

Aplikaciju ONE-KEY možete preuzeti na vaš pametni telefon preko App Store ili Google Play.

Smetnje prouzročene elektrostatičkim pražnjenjima vode i do prekida Bluetooth-komunikacije. U tome slučaju se Bluetooth-Verbindung mora ručno ponovno uspostaviti. Rezultat ispitivanja ispunjava naše najmanje zahtjeve po EN 55014-2 / EN 301 489-1 / EN 301 489-17.

#### ČIŠĆENJE

Prereze za prozračivanje stroja uvijek držati čistima.

#### ODRŽAVANJE

Primijeniti samo Milwaukee opremu i Milwaukee rezervne dijelove. Sastavne dijelove, čija zamjena nije opisana, dati zamijeniti kod jedne od Milwaukee servisnih službi (poštivati brošuru Garancija/ Adrese servisa).

Po potrebi se može zatražiti crtež eksplozije aparata uz davanje podataka o tipu stroja i desetoznamenkastog broja na pločici snage kod Vaše servisne službe ili direktno kod Techtronic Industries GmbH, Max-Eyth-Straße 10, 71364 Winnenden, Germany.

#### SIMBOLI



Molimo da pažljivo pročitate uputu o upotrebi prije puštanja u rad.



PAŽNJA! UPOZORENIE! OPASNOST!



Prije svih radova na stroju izvaditi bateriju za zamjenu.



Dugmaste stanične baterije ne progutati!



Nemojte upotrebljavati zaštitnu opremu za postupke odrezivanja.



Ne upotrebljavati silu.



Primijeniti silu.



Kod radova na stroju uvijek nositi zaštitne naočale.



Nosite zaštitu za sluh.



Nositi prikladnu zaštitnu masku protiv prašine.



Nositi zaštitne rukavice!



Uvijek rukujte objema rukama.



Samo za brusne radove.



Samo za rezačke radove.



Obratite pozornost na dopuštenu debljinu ploče.



Oprema - u opsegu isporuke nije sadržana, preporučena dopuna iz programa opreme.



Elektrouređaji, baterije/akumulatori se ne smiju zbrinjavati skupa sa kućnim smećem. Električni uređaji/akumulatori se moraju skupljati odvojeno i predati na zbrinjavanje primjereno okolišu jednom od pogona za iskorišćavanje. Raspitajte se kod mjesnih vlasti ili kod stručnog trgovca u svezi gospodarstva za recikliranje i mjesta skupljanja.

n

Nazivni broj okretaja

V

Napon



Istosmjerna struja



Europski znak suglasnosti



Britanski znak suglasnosti



Ukrajinski znak suglasnosti

001



Euroazijski znak suglasnosti





	Vienmēr vadiet darbarīku ar abām rokām.
	Tikai slīpēšanai
	Tikai atdalīšanai
	Pievērsiet uzmanību pieļaujamajam rīpas biezumam.
	Piederumi - standartprikojumā neietvertās, bet ieteicamās papildus komplektācijas detaļas no piederumu programmas.
	Elektriskus aparātus, baterijas/akumulatorus nedrīkst utilizēt kopā ar mājāsaimniecības atkritumiem. Elektriski aparāti un akumulatori ir jāsavāc atsevišķi un jānodod atkritumu pārstrādes uzņēmumā videi saudzīgai utilizācijai. Jautājiet vietējā iestādē vai savam specializētajam tirgotājam, kur atrodas atkritumu pārstrādes uzņēmumi vai savākšanas punkti.
<b>n</b>	Nominālais griešanās ātrums
<b>v</b>	Voltāža
	Līdzstrāva
	Eiropas atbilstības zīme
	Lielbritānijas atbilstības zīme
	Ukrainas atbilstības zīme
	Eirāzijas atbilstības zīme

TECHNINIAI DUOMENYS	M18 ONEFLAG230XPDB
Konstrukcija	Kampinis šlifuoškis su akumulatoriumi
Produkto numeris	4835 68 01 XXXXXX MJJJJ
Keičiamo akumulatoriaus įtampa	18 V $\approx$
„Bluetooth“ radijo dažnių juosta (radijo dažnių juostos)	2400 - 2483,5 MHz
Aukšto dažnio	2 dBm
„Bluetooth“ versija	4.2 BT signal mode
Nominalus sūkių skaičius	6600 min <sup>-1</sup>
Suklio sriegis	M14
D=šlifavimo diskų $\varnothing$ maks.	230 mm
d=Gręžimo- $\varnothing$	22,2 mm
	b=Šlifavimo disko storis maks. 8 mm
	b=Pjovimo disko storis maks. / min. 3 mm / 1,9 mm
	D=Šlifavimo disko diametras maks. 230 mm
	D=Šveitimo šepečio $\varnothing$ maks. 100 mm
Prietaiso svoris įvertintas pagal EPTA 01/2014 tyrimų metodiką (Li-Ion 2,0 Ah ... 12,0 Ah)	4,2 ... 5,4 kg
Rekomenduojama aplinkos temperatūra eksploatuojant	-18 ... +50 °C
Rekomenduojami akumulatoriai	M18B...; M18HB...
Rekomenduojami įkrovikliai	M12-18...; M1418C6
<b>Informacija apie keliamą triukšmą:</b> Vertės matuotos pagal EN 60745. Įvertintas A įrenginio keliamo triukšmo lygis dažniausiai sudaro:	
Garso slėgio lygis / Paklaida K	88,4 dB (A) / 3 dB (A)
Garso galios lygis / Paklaida K	99,4 dB (A) / 3 dB (A)
<b>Nešioti klausos apsaugines priemones!</b>	
<b>Informacija apie vibraciją:</b> Bendroji svyravimų reikšmė (trijų krypčių vektorių suma), nustatyta remiantis EN 60745.	
Vibravimų emisijos reikšmė $a_{h1}$ / Paklaida K	
Paviršių šlifavimas	5,5 m/s <sup>2</sup> / 1,5 m/s <sup>2</sup>
Šlifavimas su šlifavimo popieriumi	3,2 m/s <sup>2</sup> / 1,5 m/s <sup>2</sup>
Panaudojant kitaip, pvz., atskiriamąją juostą arba juostą su plieninės vielos šepečiu, gali atsirasti visiškai kitos vibravimo vertės!	

## DĖMESIO!

Šiame vadove nurodytos bendrosios vibracijos ir triukšmo emisijos vertės nustatytos pagal standartinius bandymo metodus pagal EN 60745, todėl gali būti taikomos lyginant vieną įrankį su kitu. Gali būti naudojama preliminariam poveikio įvertinimui.

Nurodytos bendrosios vibracijos ir triukšmo emisijos vertės atitinka įrankio taikymą. Jei įrankis naudojamas kitokiais tikslais, kartu su kitokiais priedais ar netinkamai prižiūrimas, bendrosios vibracijos ir triukšmo emisijos vertės gali skirtis. Tai gali žymiai padidinti poveikio lygį viso darbo metu.

Apskaičiuojant bendrosios vibracijos ir triukšmo emisijos vertes reikėtų atsižvelgti į laikotarpį, kai prietaisas yra išjungtas arba įjungtas, bet nėra naudojamas. Tai gali žymiai sumažinti poveikio lygį viso darbo metu.

Tam, kad naudotojas būtų apsaugotas nuo vibracijos ir (arba) triukšmo poveikio, reikia nustatyti papildomus saugos reikalavimus, pavyzdžiui: tinkamai prižiūrėti prietaisą ir jo priedus, laikyti rankas šiltais, organizuoti darbo modelius.

## DĖMESIO!

Perskaitykite visas saugumo pastabas ir nurodymus. Jei nepaisysite žemiau pateiktų saugos nuorodų ir reikalavimų, gali trenkti elektros smūgis, kilti gaisras ir/arba galite sunkiai susižaloti arba sužaloti kitus asmenis.

**Išsaugokite šias saugos nuorodas ir reikalavimus, kad ir ateityje galėtumėte jais pasinaudoti.**

### KAMPINIO ŠLIFUOKLIO SAUGUMO INSTRUKCIJOS

**Bendros įspėjamosios nuorodos, kurių būtina laikytis šlifuojant, naudojant šlifavimo popieriaus diskus, dirbant su vieliniais šepečiais, poliruojant ir pjaustant:**

**a) Šį elektrinį prietaisą galima naudoti kaip šlifavimo mašiną, skirtą šlifuoti abrazyviniais diskais, šlifavimo popieriumi, vieliniais šepečiais bei pjaustymo mašiną. Griežtai laikykitis**

**visų įspėjamųjų nuorodų, taisyklių, ženklų ir užrašų, kurie yra pateikiami su šiuo prietaisu, reikalavimų.** Jei nepaisysite toliau pateiktų nuorodų, gali kilti elektros smūgio, gaisro ir/arba sunkių sužalojimų pavojus.

**b) Šis elektrinis įrankis netinka poliruoti.** Jei įrankį naudojate ne pagal paskirtį, galite sukelti pavojų ir susižaloti.

**c) Nenaudokite jokių priedų ir papildomos įrangos, kurių gamintojas nėra specialiai numatęs ir rekomendavęs šiam elektriniam prietaisui.** Vien tik tas faktas, kad Jūs galite pritvirtinti kokį nors priedą prie elektrinio prietaiso, jokiū būdu negarantuoja, kad juo bus saugu naudotis.



## Ličio jonų akumuliatorių pervežimas

Ličio jonų akumuliatoriams taikomos įstatyminės nuostatos dėl pavojingų krovinių pervežimų.

Šiuos akumuliatorius pervežti būtina laikantis vietinių, nacionalinių ir tarptautinių direktyvų ir nuostatų.

Naudotojai šiuos akumuliatorius gali naudoti savo transporte be jokių kitų sąlygų.

Už komercinį ličio jonų akumuliatorių pervežimą atsako ekspedicijos įmonė pagal nuostatas dėl pavojingų krovinių pervežimo. Pasiruošimo išsiųsti ir pervežimo darbus gali atlikti tik atitinkamai išmokyti asmenys. Visas procesas privalo būti prižiūrimas.

Pervežant akumuliatorius būtina laikytis šių punktų:

Siekiant išvengti trumpųjų jungimų, įsitikinkite, kad kontaktai yra apsaugoti ir izoliuoti.

Atkreipkite dėmesį, kad akumuliatorius pakuotės viduje neslidinėtų. Draudžiama pervežti pažeistus arba tekančius akumuliatorius. Dėl detalesnių nurodymų kreipkitės į savo ekspedicijos įmonę.

## DARBO NUORODOS

Jei prie šlifavimo priemonės reikia naudoti ir diską su sriegiu, įsitikinkite, kad disko sriegio ilgis pakankamas sukliui.

Pjovimo ir šlifavimo diskus visada naudokite ir laikykite pagal gamintojo nurodymus.

Grandydami ir pjaudami visada dirbkite su apsauginiu gaubtu.

Šlifavimo diskus reikia įstatyti taip, kad šlifavimo paviršius neišsikištų už apsauginio gaubto krašto.

Prieš paleidžiant įrenginį, reikia priveržti jungės varžlę.

Visada naudokite papildomą rankeną.

Apdorojama detalė, jei ji nesilaiko savo svoriu, visada turi būti įtvirtinta. Niekada detalių prie disko neveskite ranka.

Prieš pradėdami dirbti su įrenginiu būtina tvirtai priveržti jungės varžlę. Jeigu įstatomas įrankis nebus tvirtai priveržtas, naudojant jungės varžlę, gali nutikti, kad stabdant įstatomas įrankis praras būtiną įtempimo jėgą.

## APSAUGA NUO PERKROVOS IR ATATRANKOS

Prietaisai turi apsauginę perkrovos bei antiatatranks funkciją. Esant tam tikrai perkrovai, prietaisai nustoja veikti. Išjunkite elektrinį įrankį, tada vėl jį įjunkite, kad galėtumėte tęsti darbą.

## TOLYGIAUS PALEIDIMO REGULIATORIUS

Saugiam valdymui - elektroninis tolygaus paleidimo reguliatorius, užkertantis kelią įrenginio trūkčiojimui, jį paleidžiant.

## STABDYMO SISTEMA

Atleidis gaiduką nenutrūkstamo veikimo stabdys priverčia įrankį sustoti per kelias sekundes.

Prieš padėdami įrankį įsitikinkite, kad jis visiškai sustojo.

Lyginant su kitais įrankiais, neturinčiais nenutrūkstamo veikimo stabdžio, nenutrūkstamo veikimo laikas gali būti ženkliai sumažintas stabdant.

## ONE-KEY™

Norėdami daugiau sužinoti apie šio įrenginio funkciją ONE-KEY, žr. su šiuo gaminiu priededamą Trumpąjį žinyną arba eikite į svetainę <http://www.milwaukeetool.com/one-key>

Jūs galite iš „App Store“ arba „Google Play“ į savo išmanųjį telefoną atsisiųsti ONE-KEY programėlę.

Elektrostatinių iškrovų sukelti sutrikimai pertraukia „Bluetooth“ komunikaciją darbą. Tokiu atveju reikia rankiniu būdu atnaujinti „Bluetooth“ ryšį. Bandyimų rezultatai atitinka mūsų minimalius reikalavimus pagal EN 55014-2 / EN 301 489-1 / EN 301 489-17.

## VALYMAS















Įrenginio vėdinimo angos visada turi būti švarios.

## TECHNINIS APTARNAVIMAS

Naudokite tik „Milwaukee“ priedus ir „Milwaukee“ atsargines dalis. Dalis, kurių keitimas neaprašytas, leidžiama keisti tik „Milwaukee“ klientų aptarnavimo skyriams (žr. garantiją/klientų aptarnavimo skyrių adresus brošiūroje).

Jei reikia, nurodant įrenginio tipą bei specifikacijų lentelėje esantį numerį, iš klientų aptarnavimo skyriaus arba tiesiai iš Techtronic Industries GmbH, Max-Eyth-Straße 10, 71364 Winnenden, Germany, galima užsisakyti prietaiso surinkimo brėžinius.

## SIMBOLIAI

	Prieš pradėdami dirbti su prietaisu, atidžiai perskaitykite jo naudojimo instrukciją.
	DĖMESIO! ĮSPĖJIMAS! PAVOJUS!
	Prieš atlikdami bet kokius darbus įrenginyje, išimkite keičiamą akumuliatorių.
	Neprarykite tabletės tipo baterijos!
	Nenaudokite nupjovimo operacijoms skirtos apsaugos.
	Nenaudoti jėgos.
	Taikyti jėgą.
	Dirbdami su įrenginiu visada nešiokite apsauginius akinius.
	Nešiokite klausos apsaugos priemones.
	Dėvėti tinkamą apsauginę kaukę nuo dulkių.
	Lietojiet aizsardzības cimdus!
	Visada dirbkite laikydami abiem rankomis.
	Tinka tik šlifavimo darbams.
	Tinka tik pjovimo darbams.





	Stebėkite, kad diskas būtų leistino storio.
	Priedas – neįeina į tiekimo komplektaciją, rekomenduojamas papildymas iš priedų asortimento.
	Elektros prietaisų, baterijų/akumuliatorių šalinti kartu su buitinėmis atliekomis negalima. Elektros prietaisus ir akumuliatorius reikia surinkti atskirai ir atiduoti perdirbimo įmonei, kad būtų pašalinti aplinkai saugiu būdu. Vietos valdžios institucijose arba specializuotose prekybos vietose pasidomėkite apie perdirbimo ir surinkimo centrus.
<b>n</b>	Nominalus sūkių skaičius
<b>v</b>	Įtampa
	Nuolatinė srovė
	Europos atitikties ženklas
	Britanijos atitikties ženklas
	Ukrainos atitikties ženklas
	Eurazijos atitikties ženklas







	Elektriseadmeid, patareisid/akusid ei tohi utiliseerida koos majapidamisprügiga. Elektriseadmed ja akud tuleb eraldi kokku koguda ning kõrvaldada keskkonnasõbralikul moel töötlemiskeskusesse. Küsige infot jäätmekäitlusjaamade ja kogumispunktide kohta oma kohalike ametnike või edasimüüja käest.
<b>n</b>	Nimipõrded
<b>V</b>	Voltaaž
	Alalisvool
	Euroopa vastavusmärk
	Ühendkuningriigi vastavusmärk
	Ukraina vastavusmärk
	Euraasia vastavusmärk

ТЕХНИЧЕСКИЕ ДАННЫЕ		M18 ONEFLAG230XPDB
Модель	Акк. угловая шлифмашина	
Серийный номер изделия	4835 68 01 XXXXXX MJJJJ	
Вольтаж аккумулятора	18 V $\equiv$	
Диапазон частот Bluetooth (диапазоны частот)	2400 - 2483,5 MHz	
Мощность высокой частоты	2 dBm	
Версия Bluetooth	4.2 BT signal mode	
Номинальное число оборотов	6600 min <sup>-1</sup>	
Резьба шпинделя	M14	
D=Диаметр шлифовального диска макс.	230 mm	
d=Диаметр и отверстия	22,2 mm	
	b=Толщина шлифовального диска макс.	8 mm
	b=Толщина отрезного круга макс. / мин.	3 mm / 1,9 mm
	D=Диаметр шлифовального диска макс.	230 mm
	D=Ø круглой щетки макс.	100 mm
Вес согласно процедуре EPTA 01/2014 (Li-Ion 2,0 Ah ... 12,0 Ah)	4,2 ... 5,4 kg	
Температура окружающей среды, рекомендованная для эксплуатации	-18 ... +50 °C	
Рекомендованные аккумуляторные блоки	M18B...; M18NB...	
Рекомендованные зарядные устройства	M12-18...; M1418C6	
<b>Информация по шумам:</b> Значения замерялись в соответствии со стандартом EN 60745.		
Уровень шума прибора, определенный по показателю A, обычно составляет:		
Уровень звукового давления / Небезопасность K	88,4 dB (A) / 3 dB (A)	
Уровень звуковой мощности / Небезопасность K	99,4 dB (A) / 3 dB (A)	
<b>Пользуйтесь приспособлениями для защиты слуха.</b>		
<b>Информация по вибрации:</b> Общие значения вибрации (векторная сумма трех направлений) определены в соответствии с EN 60745.		
Значение вибрационной эмиссии a <sub>h</sub> / Небезопасность K		
Плоское шлифование	5,5 m/s <sup>2</sup> / 1,5 m/s <sup>2</sup>	
Шлифовка с помощью шлифовального полотна	3,2 m/s <sup>2</sup> / 1,5 m/s <sup>2</sup>	
При применении в других целях, как, напр., абразивное отрезание или шлифование стальной проволочной щеткой, могут получаться другие показатели вибрации!		


### ВНИМАНИЕ!

Заявленные значения вибрации и шумового излучения, указанные в настоящем информационном листе, были измерены согласно стандартизированному методу испытания согласно EN 60745 и могут использоваться для сравнения одного инструмента с другим. Они могут применяться для предварительной оценки воздействия на организм человека.

Указанные значения вибрации и шумового излучения действительны для основных областей применения инструмента. Однако если инструмент используется в других областях применения или с другими принадлежностями либо проходит ненадлежащее обслуживание, значения вибрации и шумового излучения могут отличаться. Это может существенно увеличить уровень воздействия на организм на протяжении общего периода работы.

При оценке уровня воздействия вибрации и шумового излучения на организм также необходимо учитывать периоды, когда инструмент выключен, или когда он работает, но фактически не используется для выполнения работы. Это может существенно сократить уровень воздействия на организм на протяжении общего периода работы.

Определите дополнительные меры для защиты оператора от воздействия вибрации и/или шума, такие как обслуживание инструмента и его принадлежностей, сохранение рук в тепле, организация графиков работы.

** ВНИМАНИЕ!** Ознакомьтесь со всеми указаниями по безопасности и инструкциями Упущения, допущенные при не соблюдении указаний и инструкций по технике безопасности, могут стать причиной электрического поражения, пожара и тяжелых травм.

**Сохраняйте эти инструкции и указания для будущего использования.**

### УКАЗАНИЯ ПО БЕЗОПАСНОСТИ К УГЛОВОЙ ШЛИФОВАЛЬНОЙ МАШИНЕ

**Общие предупреждающие указания по шлифованию, шлифованию наждачной бумагой, для работ с проволочными щетками, для полирования и отрезных работ:**

а) Настоящий электроинструмент предназначен для применения в качестве шлифовальной машины, шлифовальной машины с наждачной бумагой, проволочной щетки и отрезной машины. Учитывайте все предупредительные указания, инструкции, иллюстрации и данные, которые Вы получите с электроинструментом. При несоблюдении нижеприведенных указаний возможно поражения электротоком, возникновение пожара и/или получение серьезных травм.

б) Настоящий электроинструмент не пригоден для полирования. Использование электроинструмента не по назначению может вывести его из строя и нанести травмы.

с) Не применяйте принадлежности, которые не предусмотрены изготовителем специально для настоящего электроинструмента и не рекомендуются им. Только возможность крепления принадлежностей в Вашем электроинструменте не гарантирует еще его надежного применения.

д) Допустимое число оборотов используемых принадлежностей должно быть как минимум таким же, как и максимальное число оборотов, указанное на электроинструменте. Комплекующие, которые вращаются быстрее допустимой скорости, могут сломаться и отлететь.

е) Наружный диаметр и толщина рабочих принадлежностей должны соответствовать размерам Вашего электроинструмента. Неправильно соразмеренные рабочие принадлежности не могут быть в достаточной степени защищены или контролироваться.

ф) Резьба принадлежностей должна совпадать с резьбой шлифовального шпинделя. У принадлежностей, которые прикрепляются фланцами, отверстие для фиксации в детали должно совпадать с диаметром локализирующего фланца. Детали, которые не подходят к монтажному стрелно прибору, работают эксцентрично, вибрируют слишком сильно и могут привести к потере контроля над инструментом.

г) Не применяйте поврежденную оснастку. Проверяйте каждый раз перед использованием рабочие инструменты, как то, шлифовальные круги на сколы и трещины, шлифовальные тарелки на трещины, риски или сильный износ, проволочные щетки на незакрепленные или поломанные проволочки. После падения электроинструмента или оснастки проверьте последнюю на повреждения и при необходимости установите неповрежденную оснастку. После ее закрепления займите сами и все находящиеся вблизи лица положение за пределами плоскости вращения и включите электроинструмент на одну минуту на максимальное число оборотов. Поврежденные рабочие инструменты рвутся, в большинстве случаев, за это время контроля.

h) Применяйте средства индивидуальной защиты. В зависимости от выполняемой работы применяйте защитный щиток для лица, защитное средство для глаз или защитные очки. Насколько уместно, применяйте противопылевой респиратор, средства защиты органов слуха, защитные перчатки или специальный фартук, которые защищают Вас от абразивных частиц и частиц материала. Глаза должны быть защищены от летящих осколков, которые возникают при выполнении различных работ. Противопылевой респиратор или защитная маска органов дыхания должны задерживать возникающую при работе пыль. Продолжительное воздействие сильного шума может привести к потере слуха.

и) Следите за тем, чтобы все лица находились на безопасном расстоянии к Вашему рабочему участку. Каждое лицо в пределах рабочего участка должно иметь средства индивидуальной защиты. Осколки детали или разорванных рабочих инструментов могут отлететь в сторону и стать причиной травм также и за пределами непосредственного рабочего участка.

j) Если Вы выполняете работы, при которых режущий инструмент может зацепить скрытую электропроводку кабель, инструмент следует держать за специально предназначенные для этого изолированные поверхности. Контакт режущего инструмента с токоведущим проводом может ставить под напряжение металлические части прибора, а также приводить к удару электрическим током.

к) Никогда не кладите электрический инструмент до тех пор, пока инструментальная насадка полностью не остановится. Вращающийся рабочий инструмент может зацепиться за опорную поверхность и в результате Вы можете потерять контроль над электроинструментом.

l) Выключайте электроинструмент при транспортировании. Ваша одежда может быть случайно захвачена вращающимся рабочим инструментом и последний может нанести Вам травму.

m) Регулярно очищайте вентиляционные прорези Вашего электроинструмента. Вентилятор двигателя затягивает пыль в корпус и большое скопление металлической пыли может привести к поражению электричеством.

n) Не пользуйтесь электроинструментом вблизи горючих материалов. Искры могут воспламенить эти материалы.

о) Не применяйте рабочие принадлежности, требующие применение охлаждающих жидкостей. Применение воды или других охлаждающих жидкостей может привести к поражению электротоком.

#### Обратный удар и соответствующие предупредительные указания

Обратный удар это внезапная реакция в результате заедания или блокирования вращающихся частей инструмента/принадлежностей, как то, шлифовального круга, шлифовальной тарелки, проволочной щетки и т.д., ведущая к резкой остановке вращающихся частей инструмента. При этом неконтролируемый электроинструмент ускоряется против направления вращения принадлежности

Если шлифовальный круг заедает или блокирует в заготовке, то погруженная в заготовку кромка шлифовального круга может быть зажата и в результате привести к выскакиванию круга из заготовки или к обратному удару. При этом шлифовальный круг движется на оператора или от него, в зависимости от направления вращения круга на месте блокирования. При этом шлифовальный круг может поломаться.

Обратный удар является следствием неправильного использования электроинструмента или ошибки оператора. Он может быть предотвращен описанными ниже мерами предосторожности.

а) Крепко держите электроинструмент и займите Вашим телом и руками положение, в котором Вы можете противодействовать обратным силам. При наличии, всегда применяйте дополнительную рукоятку, чтобы как можно лучше противодействовать обратным силам или реакционным моментам при наборе оборотов. Оператор может подходящими мерами предосторожности противодействовать силам обратного удара и реакционным силам.

б) Ваша рука никогда не должна быть вблизи вращающегося рабочего инструмента. Приспособление может отскочить в сторону вашей руки.

с) Держитесь в стороне от участка, в котором при обратном ударе будет двигаться электроинструмент. Обратный удар ведет электроинструмент в противоположном направлении к движению шлифовального круга в месте блокирования.

д) Особенно осторожно работайте на углах, острых кромках и т.д. Предотвращайте отскок рабочего инструмента от заготовки и его заклинивания. Углы, острые кромки и пружинящие элементы могут стать причиной заклинивания вращающейся оснастки. Это вызывает потерю контроля или обратный удар.

е) Не пользуйтесь цепными или зубчатыми пилами. Такие инструментальные насадки часто приводят к отдаче или потере контроля над электрическим инструментом.

#### Специальные предупредительные указания по шлифованию и отрезанию

а) Применяйте допущенные исключительно для Вашего электроинструмента абразивные инструменты и предусмотренные для них защитные кожанки. Абразивные инструменты, не предусмотренные для этого электроинструмента, не могут быть достаточно экранированы и не безопасны.

б) Изогнутые шлифовальные диски необходимо устанавливать таким образом, чтобы их шлифовальная поверхность не выходила за пределы края защитного кожуха. Установленный ненадлежащим образом шлифовальный диск, выходящий за пределы края защитного кожуха, невозможно экранировать достаточным образом.

с) Всегда применяйте защитный кожух, предусмотренный для приемлемого вида абразивного инструмента. Защитный кожух должен быть надежно закреплен на электроинструменте и настроен так, чтобы достигалась наибольшая степень безопасности, т.-е. в сторону оператора должна быть открыта как можно меньшая часть абразивного инструмента. Щиток помогает защитить оператора от обломков диска, от случайного соприкосновения с диском, а также от искр, которые могут вызвать воспламенение одежды.

д) Абразивные инструменты допускается применять только для рекомендуемых работ. Например: никогда не шлифуйте боковой поверхностью отрезного круга. Отрезные круги предназначены для съема материала кромкой. Бокковые силы на этот абразивный инструмент могут сломать его.

е) Всегда применяйте неповрежденные фланцевые гайки с правильными размерами и формой для вращаемого Вами шлифовального круга. Правильные фланцы являются опорой для шлифовального круга и уменьшают опасность его поломки. Фланцы для отрезных кругов могут отличаться от фланцев для шлифовальных кругов.

ф) Не применяйте изношенные шлифовальные круги больших электроинструментов. Шлифовальные круги для больших электроинструментов изготовлены не для высоких скоростей вращения маленьких электроинструментов и их может разорвать.

#### Дополнительные специальные предупредительные указания отрезания шлифованием

а) Предотвращайте блокирование отрезного круга и завышенное усилие прижатия. Не выполняйте слишком глубоких резов. Перегрузка отрезного круга повышает его нагрузку и склонность к перекашиванию или блокированию и этим возможность обратного удара или поломки абразивного инструмента.

б) Будьте осторожны перед и за вращающимся отрезным кругом. Если Вы ведете отрезной круг в заготовке от себя, то в случае обратного удара электроинструмент может с вращающимся кругом отскочить прямо на Вас.

с) При блокировании отрезного круга и при перерыве в работе выключайте электроинструмент и держите его спокойно, неподвижно до остановки круга. Никогда не пытайтесь вынуть еще вращающийся отрезной круг из реза, так как это может привести к обратному удару. Установите и уберите причину заклинивания.

д) Не включайте повторно электроинструмент пока абразивный инструмент находится в заготовке. Дайте отрезному кругу развить полное число оборотов, перед тем как Вы осторожно продолжите резание. В противном случае круг может заесть, он может выскочить из детали и привести к обратному удару.

е) Плиты или большие заготовки должны надежно лежать на опоре, чтобы снизить опасность обратного удара при заклинивании отрезного круга. Большие заготовки могут прогибаться под собственным весом. Заготовка должна лежать на опорах с обеих сторон, как вблизи реза, так и по краям.

ф) Действуйте с особой осторожностью при вырезании участков существующих стен или при работе в других слепых зонах. Погружающийся отрезной круг может при резании газопровода или водопровода, электрических проводов или других объектов привести к обратному удару.

#### Специальные предупредительные указания для шлифования наждачной бумагой:

а) Не применяйте шлифовальные листы с завышенными размерами, а следуйте данным изготовителя по размерам шлифовальных листов. Шлифовальные листы, выступающие за край шлифовальной тарелки, могут стать причиной травм и блокирования, вращаясь или привести к обратному удару.

#### Особые предупредительные указания для работ с проволочными щетками:

а) Учитывайте, что металлическая щетина может отлетать даже во время обычной работы. Не перегружайте проволочку, подвергая щетку чрезмерной нагрузке. Металлическая щетина может легко проникнуть сквозь одежду и/или кожу.

б) Если для работы рекомендуется использовать защитный кожух, то исключайте соприкосновение проволочной щетки с кожей. Тарельчатые и чашечные щетки могут увеличивать свой диаметр под действием усилия прижатия и центрифугальных сил.

#### ДОПОЛНИТЕЛЬНЫЕ УКАЗАНИЯ ПО БЕЗОПАСНОСТИ И РАБОТЕ

Перед включением инструмента всегда проверяйте, находится ли кнопка блокиратора шпинделя в положении полной разблокировки. После использования блокиратора шпинделя для крепления/высвобождения абразивного диска кнопка может застрять в положении блокировки.

Необходимо следить за тем, чтобы искры, вылетающие с обрабатываемой поверхности, не попадали на воспламеняющиеся материалы.

Избегайте попадания искр и шлифовальной пыли на тело.

Никогда не касайтесь опасной режущей зоны в момент работы.

Не убирайте опилки и обломки при включенном инструменте. Немедленно выключайте машину если почувствовали ошутимую вибрацию или при других неисправностях. Проверьте инструмент чтобы обнаружить причину неисправности.

При работе в экстремальных условиях (например, при тонком шлифовании металлов с помощью диска с крепежным отверстием и шлифовального диска из вулканизированного волокна) внутри шлифовальной машины могут скапливаться сильные загрязнения.

Не приближайте металлические предметы к вентиляционным отверстиям из-за опасности короткого замыкания!

ВНИМАНИЕ! Опасность ожога! Во время работы диск и заготовка сильно нагреваются. Заменяя диск или прикасаясь к заготовке, носите перчатки. Всегда держите руки на расстоянии от области шлифования.

ВНИМАНИЕ! Для предотвращения опасности пожара в результате короткого замыкания, травм и повреждения изделия не опускайте инструмент, сменный аккумулятор или зарядное устройство в жидкости и не допускайте попадания жидкостей внутрь устройств или аккумуляторов. Коррозионные и проводящие жидкости, такие как соленый раствор, определенные химикаты, отбеливающие средства или содержащие их продукты, могут привести к короткому замыканию.

Никогда не вскрывайте аккумуляторы или зарядные устройства и храните их только в сухих помещениях. Следите, чтобы они всегда были сухими.

Для зарядки аккумуляторов модели M18 используйте только зарядным устройством M18. Не заряжайте аккумуляторы других систем.



**ВНИМАНИЕ!** Устройство использует кнопочный/плоский круглый литиевый аккумулятор. Новый или использованный аккумулятор может вызвать сильные внутренние ожоги и привести к смерти в течение 2 часов в случае проглатывания или попадания в организм. Всегда закрепляйте крышку аккумуляторного отсека. Если она не закрывается надежно, остановите устройство, извлеките аккумулятор и храните его в недоступном для детей месте. Если вы считаете, что человек проглотил аккумулятор или что аккумулятор иным образом попал в организм, обратитесь за экстренной медицинской помощью.

### ИСПОЛЬЗОВАНИЕ

Углошлифовальная машина предназначена для шлифования и разрезания металла, камня, бетона и керамики, а также для обработки шлифовальной бумагой и проволочной щеткой.

Используйте для разрезания защитный колпачок из ассортимента принадлежностей.

В случае сомнения соблюдайте указания производителя принадлежностей.

Этот электроинструмент предназначен только для работы всухую.

Устанавливайте на углошлифовальную машину только соответствующие шлифовальные или резательные диски и сопутствующие защитные приспособления (защитный кожух для шлифовки или резания) согласно указаниям в разделе касательно спецификации продукта в настоящем руководстве. Углошлифовальная машина предназначена для ручного использования и не предназначена для установки на рабочем столе или на крепежных приспособлениях.

Не используйте этот продукт для любой другой цели; используйте его только по указанному целевому назначению.

### ОСТАТОЧНЫЕ ОПАСНОСТИ

Даже при надлежащем использовании нельзя исключить все остаточные риски. При использовании могут возникнуть такие опасности, на которые пользователь должен обратить особое внимание:

- Травмы вследствие вибрации. Держите прибор за предусмотренные для этого рукоятки и ограничивайте время работы и экспозиции.
- Шумовое воздействие может привести к повреждению слуха. Носите защитные наушники и ограничивайте продолжительность экспозиции.
- Травмы глаз, вызванные частицами загрязнений. Всегда надевайте защитные очки, плотные длинные брюки, рукавицы и прочную обувь.
- Вдыхание ядовитой пыли.

### УКАЗАНИЯ ДЛЯ ЛИТИЙ-ИОННЫХ АККУМУЛЯТОРОВ

#### Использование литий-ионных аккумуляторов

Перед использованием аккумулятора, которым не пользовались некоторое время, его необходимо зарядить.

Температура свыше 50°C снижает работоспособность аккумуляторов. Избегайте продолжительного нагрева или прямого солнечного света (риск перегрева).

Контакты зарядного устройства и аккумуляторов должны содержаться в чистоте.

Для обеспечения оптимального срока службы аккумулятор необходимо полностью заряжать после использования прибора. Для достижения максимально возможного срока службы аккумуляторы после зарядки следует вынимать из зарядного устройства.

При хранении аккумулятора более 30 дней: Храните аккумулятор при 27°C в сухом месте. Храните аккумулятор с зарядом примерно 30% - 50%. Каждые 6 месяцев аккумулятор следует заряжать.

### Защита литий-ионных аккумуляторов от перегрузки

В случае перегрузки аккумулятора по причине слишком большого потребления электроэнергии, при экстремально большом крутящем моменте, внезапной остановке или коротком замыкании, электроприбор вибрирует в течение 5 секунд, загорается индикатор заряда аккумулятора и электроприбор автоматически выключается. ть работу.

Для повторного включения следует отжать кнопку включения и потом снова включить. При слишком высоких нагрузках аккумулятор перегревается. В этом случае загораются все лампы индикатора заряда аккумулятора. Когда аккумулятор остынет и лампы погаснут – можно продолжит

### Транспортировка литий-ионных аккумуляторов

Литий-ионные аккумуляторы в соответствии с предписаниями закона транспортируются как опасные грузы.

Транспортировка этих аккумуляторов должна осуществляться с соблюдением местных, национальных и международных предписаний и положений.

Эти аккумуляторы могут перевозиться по улице потребителем без дальнейших обязательств.

При коммерческой транспортировке литий-ионных аккумуляторов экспедиторскими компаниями действуют положения, касающиеся транспортировки опасных грузов. Подготовка к отправке и транспортировка должны производиться исключительно специально обученными лицами. Весь процесс должен находиться под контролем специалиста.

При транспортировке аккумуляторов необходимо соблюдать следующие пункты:

Убедитесь, что контакты защищены и изолированы во избежание короткого замыкания.

Следите за тем, чтобы аккумуляторный блок не соскользнул внутри упаковки. Транспортировка поврежденных или протекающих аккумуляторов запрещена. За дополнительными указаниями обратитесь к своему экспедитору.

### УКАЗАНИЯ ПО РАБОТЕ

Предназначается для инструментов, которые могут использоваться с кругами, оснащенными резьбовым отверстием, причем длина резьбы должна соответствовать длине шпинделя.

Всегда используйте и храните отрезные и шлифовальные диски в соответствии с инструкциями производителя.

При шлифовании или отрезании всегда пользуйтесь защитным ограждением.

Изогнутые шлифовальные диски необходимо устанавливать таким образом, чтобы их шлифовальная поверхность не выходила за пределы края защитного кожуха.

Перед включением инструмента затяните гайку с фланцем. Всегда пользуйтесь дополнительной рукояткой.

Если изделие не достаточно тяжелое и неустойчивое, то его необходимо закрепить. Никогда не подносите изделие к шлифовальному диску, держа его в руках.

Перед вводом машины в эксплуатацию фланцевая гайка должна быть прочно затянута. Если фланцевая гайка рабочего инструмента затянута непорочно, инструмент при торможении может потерять необходимое зажимное усилие.

### ЗАЩИТА ОТ ПЕРЕГРУЗКИ И ОБРАТНОГО УДАРА

Пожалуйста, учитывайте, что при исчезновении нагрузки машина снова самостоятельно запускается с изначальной рабочей скоростью вращения. Выключите электроприводной инструмент, а затем включите его заново для продолжения работы.

### ПЛАВНЫЙ СТАРТ

Плавный старт для безопасной работы предотвращает резкое включение инструмента.

### ТОРМОЗНАЯ СИСТЕМА

Рабочий тормоз включается при отпускании кнопки запуска, заставляя инструмент остановиться в течение нескольких секунд.

Прежде чем отложить инструмент в сторону, убедитесь в том, что движение вставного инструмента полностью остановлено.

По сравнению с инструментами без рабочего тормоза время остаточного движения существенно сокращается.

### ONE-KEY™

Чтобы узнать больше о технических возможностях ONE-KEY данного устройства, обратитесь к краткому руководству пользователя, поставляемому с изделием, или пройдите по ссылке <http://www.milwaukeetool.com/one-key>

Вы можете загрузить приложение ONE-KEY на свой смартфон через App Store или Google Play.

Помехи, вызванные воздействием электростатического разряда, также приводят к прерыванию связи Bluetooth. В этом случае соединение Bluetooth должно быть повторно установлено вручную. Результаты испытаний соответствуют нашим минимальным требованиям согласно EN 55014-2 / EN 301 489-1 / EN 301 489-17.

### СТИРКА

Всегда держите охлаждающие отверстия чистыми.

### ОБСЛУЖИВАНИЕ

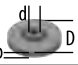
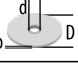

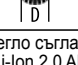
Пользуйтесь аксессуарами и запасными частями Milwaukee. В случае возникновения необходимости в замене, которая не была описана, обращайтесь в один из сервисных центров по обслуживанию электроинструментов Milwaukee (см. список сервисных организаций).

При необходимости может быть заказан чертеж инструмента с трехмерным изображением деталей. Пожалуйста, укажите номер и тип инструмента и закажите чертеж у Ваших местных агентов или непосредственно у Techtronic Industries GmbH, Max-Eyth-Straße 10, 71364 Winnenden, Germany.

### СИМВОЛЫ

	Пожалуйста, внимательно прочтите инструкцию по использованию перед началом любых операций с инструментом.
	<b>ВНИМАНИЕ! ПРЕДУПРЕЖДЕНИЕ! ОПАСНОСТЬ!</b>
	Выньте аккумулятор из машины перед проведением с ней каких-либо манипуляций.
	Не глотать миниатюрный элемент питания!
	Не используйте защитный щиток для операций отрезания.
	Не применяйте силу
	Применить силу.
	При работе с инструментом всегда надевайте защитные очки.

	Используйте наушники!
	Надевайте противодышевой респиратор.
	Надевать защитные перчатки!
	Всегда работайте двумя руками.
	Только для шлифования.
	Только для отрезания.
	Обращайте внимание на допустимую толщину диска.
	Принадлежности - В стандартную комплектацию не входит, поставляется в качестве дополнительной принадлежности.
	Электроприборы, батареи/аккумуляторы запрещено утилизировать вместе с бытовым мусором. Электрические приборы и аккумуляторы следует собирать отдельно и сдавать в специализированную компанию для утилизации в соответствии с нормами охраны окружающей среды. Получите в местных органах власти или у вашего специализированного дилера сведения о центрах вторичной переработки и пунктах сбора.
<b>n</b>	Номинальное число оборотов
<b>V</b>	Напряжение
	Постоянный ток
	Европейский знак соответствия
	Британский знак соответствия
	Украинский знак соответствия
	Евразийский знак соответствия

ТЕХНИЧЕСКИ ДАННИ		M18 ONEFLAG230XPDB	
Тип	Акумулаторен Ъглошлайф		
Производствен номер	4835 68 01 XXXXXX MJJJJ		
Напрежение на акумулатора	18 V =		
Честотен обхват (честотни обхвати) на Bluetooth	2400 - 2483,5 MHz		
високочестотна мощност	2 dBm		
Версия на Bluetooth	4.2 BT signal mode		
Номинална скорост на въртене	6600 min <sup>-1</sup>		
Резба на шпиндела	M14		
D=Ø на абразивните дискове макс.	230 mm		
d=отвор с Ø	22,2 mm		
	b=Дебелина на диска за шлайфане макс.	8 mm	
	b=Дебелина на режещия диск макс. / мин.	3 mm / 1,9 mm	
	D=Размер на шлифовъчния диск макс.	230 mm	
	D=Ø чашковидна четка макс.	100 mm	
Тегло съгласно процедурата EPTA 01/2014 (Li-Ion 2,0 Ah ... 12,0 Ah)	4,2 ... 5,4 kg		
Препоръчителна температура на околната среда при експлоатация	-18 ... +50 °C		
Препоръчителни акумулаторни батерии	M18B...; M18HB...		
Препоръчителни зарядни устройства	M12-18...; M1418C6		

**Информация за шума:** Измерените стойности са получени съобразно EN 60745.

Оцененото с А ниво на шума на уреда е съответно:

Равнище на звуковото налягане / Несигурност К 88,4 dB (A) / 3 dB (A)

Равнище на мощността на звука / Несигурност К 99,4 dB (A) / 3 dB (A)

**Да се носи предпазно средство за слуха!**

**Информация за вибрациите:** Общите стойности на вибрациите (векторна сума на три посоки) са определени в съответствие с EN 60745.

Стойност на емисии на вибрациите a<sub>v</sub> / Несигурност К

Шлайфане на повърхности 5,5 m/s<sup>2</sup> / 1,5 m/s<sup>2</sup>  
Шлайфане с лента за шлайфане 3,2 m/s<sup>2</sup> / 1,5 m/s<sup>2</sup>

При друго използване, например отрезно шлайфане или шлайфане със стоманена четка, могат да се получат други стойности на вибрациите!

## ВНИМАНИЕ!

Посочените в настоящия информационен лист нива на вибрации и шумови емисии са измерени в съответствие със стандартизирано изпитване, предоставено в EN 60745, и могат да се използват за сравняване на един инструмент с друг. Те може също така да се използват и за предварителна оценка на излагането на вредни въздействия.

Декларираните нива на вибрации и шумови емисии се отнасят за основните приложения на инструмента. Ако обаче инструментът се използва за други приложения, с други приспособления или не се поддържа добре, нивата на вибрации и шумови емисии могат да са различни. Това може значително да повиши нивото на излагане на вредни въздействия за общата продължителност на работата.

При оценка на нивото на излагане на въздействието на вибрации и шум следва също така да се вземе предвид времето, през което инструментът е изключен или през което е включен, но не се използва. Това може значително да понижи нивото на излагане на вредни въздействия за общата продължителност на работата.

Определете допълнителни мерки за безопасност за защита на оператора от въздействието на вибрациите и/или шума, като например поддръжка на инструмента и приспособленията, поддържането на топлината на ръцете и организацията на работата.

**ВНИМАНИЕ!** Прочетете указанията за безопасност и съветите. Пропуски при спазването на указанията и на инструкциите за безопасност могат да доведат до токов удар, пожар и/или тежки наранявания.

**Запазете всички указания и инструкции за безопасност за бъдещето.**

## УКАЗАНИЯ ПО ТЕХНИКА НА БЕЗОПАСНОСТ ЗА ЪГЛОШЛАЙФ

**Общи инструкции за безопасност при шлифване, шлифване с шкурка, работа с телени четки и при абразивно рязане.**

**а) Този електроинструмент е предвиден за употреба като шлайф, шлайф за шкурене, телена четка и абразивна машина за рязане. Спазвайте всички инструкции за**

**безопасност, указания, илюстрации и данни, които получавате с уреда.** Ако не спазвате следните указания, това може да доведе до токов удар, пожар и/или тежки наранявания.

**б) Този електроинструмент не е подходящ за запълване.** Ако се използва за цели, за които не е предвиден, този електроуред може да доведе до опасност и наранявания.

**в) Не използвайте допълнителни приспособления, които не се препоръчват от производителя специално за този електроинструмент.** Фактът, че можете да закрепите към машината определено приспособление или паботен инструмент, не гарантира безопасна работа с него.

**г) Допустимата честота на въртене на използвания се инструмент трябва да бъде поне толкова висока, колкото и посочената на уреда честота на въртене.** Аксесоарите, които се въртят по-бързо от допустимото, могат да се счупят и да се разхвърчат.

**е) Външният диаметър и дебелината на работния инструмент трябва да отговарят на посочените размери на Вашия електроинструмент.** Работни инструментите с неподходящи размери не могат да бъдат покрити достатъчно или да бъдат контролирани.

**ф) Резбата на компонентите трябва да съответства на резбата на вретеното.** При компоненти, които са монтирани на фланци, отворът за затегателния дорник в компонента трябва да съпада с диаметъра за закрепване на фланеца. Компонентите, които не са подходящи за монтажния дорник на устройството, се движат ексцентрично, вибрират и могат да доведат до загуба на контрола върху инструмента.

**г) Не използвайте повредени работни инструменти.** Преди всяка употреба проверявайте работните инструменти, напр. абразивните дискове за пукнатини или откъртени ръбчета, подложните дискове за пукнатини или силно износване, телените четки за недобрее захванати или счупени телчета. Ако изтървете електронинструмента или работния инструмент, ги проверявайте внимателно за увреждания или използвайте нови неповредени работни инструменти. След като сте проверили внимателно и сте монтирали работния инструмент, оставете електроинструмента да работи на максимални обороти в прогължение на една минута; стойте и дръжете намиращи се наблизо лица в страни от равнината на въртене. Най-често повредени работни инструменти се счупят през този тестов период.

**ж) Носете лични предпазни средства.** Според необходимостта използвайте цяла лицева маска, маска за очи или защитни очила. Ако е необходимо носете маска срещу прах, защита на слуха, предпазни ръкавици или специална престилка, която предпазва от малки частици от диска или от материала. Очите трябва да се защитени от чужди тела, които могат да отлитнат по различни причини. Противопрашната или дихателната маска трябва да могат да филтрират праха, който се образува при работа. Ако сте изложени дълго време на силен шум, това може да причини загуба на слуха Ви.

**з) Внимавайте останалите лица да са на безопасно разстояние от Вашата работна зона.** Всеки, който влиза в работната зона, трябва да носи лични предпазни средства. Отчупени парченца от обработваната част или от счупени работни инструменти могат да отлетят и да причинят наранявания дори и на лица извън непосредствената работна зона.

**и) Дръжте уреда за изолираните ръкохватки, когато извършвате работи, при които режещият инструмент може да засегне скрити електроинсталационни кабели.** Контактът на режещия инструмент с тоководещ проводник може да предаде напрежението върху метални части на уреда и да доведе до токов удар.

**к) Никога не оставяйте електрическата машина, докато инструментът не е напълно спрял.** Въртящият се работен инструмент може да влезе в контакт с повърхността, върху която сте оставили електроинструмента, поради което може да загубите контрола върху него.

**л) Докато пренасяте електроинструмента, не го оставяйте включен.** При неволен допир дрехите или косите Ви могат да бъдат увлечени от работния инструмент, в резултат на което работният инструмент може да се вреже в тялото Ви.

**м) Почистявайте редовно шлицовете за протерване на електроинструмента.** Духалката на мотора засмуква прах в корпуса на електроинструмента, а насъбрането на метален прах може да причини електрически опасности.

**н) Не работете с електроинструмента в близост до запалими материали.** Искрите могат да възпламенят тези материали.

**о) Не използвайте работни инструменти, които трябва да се охлаждат с течности.** Употребата на вода или на други течни охлаждащи средства може да доведе до токов удар.

## Откат и съвети за избягването му

Ритането е внезапна реакция на машината вследствие на закачки се или блокиран въртящ се инструмент, напр. шлайфаща шайба, шлайфащ диск, телена четка и др. Закачането или блокирането води до внезапно спиране на въртящия се инструмент. По този начин на мястото на блокиране машина се ускорява неконтролирано срещу посоката на въртене на инструмента.

Ако напр. шлифовъчният диск се заклинни или блокира в обработваната част, ръбът на диска, който влиза в обработваната част, може да се заплете и по този начин шлифовъчният диск може да се счупи или да бъде предизвикан откат. Тогава шлифовъчният диск се отправя към или се отдалечава от обслужващото лице, в зависимост от посоката на въртене на диска на мястото на блокиране. В такъв случай шлифовъчните дискове могат също да се счупят.

Откатът е резултат от неправилна или погрешна употреба на електроинструмента. Той може да бъде предотвратен чрез подходящи мерки за безопасност, както е описано в следното.

**а) Хванете здраво машината и дръжте тялото и ръцете си в такава положение, в което да можете да поемете силата на отката.** Винаги използвайте допълнителната ръкохватка, ако има такава, за да имате възможно най-голям контрол върху силата на отката или върху реактивния въртящ момент. Чрез подходящи мерки за безопасност обслужващият персонал може да овладее силите на отката и на реакция.

**б) Никога не приближавайте ръцете си до въртящия се работни инструменти.** Аксесоарът може да предизвика откат над ръката Ви.

**в) Избягвайте тялото Ви да се намира в тази зона, в която може да се окаже електрическата машина при „ритане“.** Ритането измества машината на мястото на блокиране в посока обратна на движението на шлайфащата шайба.

**г) Работете особено предпазливо в зоните на ъгли, остри ръбове и др. п. Избягвайте отблъскването на работните инструменти от обработваната част и заклинването им в нея.** При обработване на ъгли или остри ръбове или при рязко отблъскване на въртящия се работен инструмент съществува повишена опасност от заклинване. Това предизвиква загуба на контрол над машината или откат.

**д) Не използвайте верижни или назъбени режещи дискове.** Такива инструменти често причиняват „ритане“ или загуба на контрол върху електрическата машина.

## Специални указания за безопасна работа с режещи дискове

**а) Използвайте само предвидените за Вашия електроинструмент абразивни дискове и предназначения за използвания абразивен диск предпазен кожух.** Абразивни дискове, които не са предназначени за електроинструмента, не могат да бъдат екранирани добе и не гарантират безопасна работа.



**ONE-KEY™**

За да научите повече за функционалността ONE KEY на този уред, прочетете приложеното кратко ръководство или ни посетете в интернет на <http://www.milwaukeetool.com/one-key>

Можете да изтеглите ONE KEY приложението на Вашия смартфон от App Store или Google Play.

Смущенията, причинени от електростатични разряди, водят също и до прекъсване на Bluetooth комуникацията. В такъв случай Bluetooth връзката трябва да се възстанови ръчно. Резултатите от изпитванията отговарят на нашите минимални изисквания съгласно EN 55014-2 / EN 301 489-1 / EN 301 489-17.

**ПОЧИСТВАНЕ**

Вентилационните шлицы на машината да се поддържат винаги чисти.

**ПОДДРЪЖКА**

Да се използват само аксесоари на Milwaukee и резервни части на Milwaukee. Елементи, чията подмяна не е описана, да се дадат за подмяна в сервис на Milwaukee (вижте брошурата "Гаранция и адреси на сервиси").

При необходимост можете да поискате за уреда от Вашия сервис или директно от Techtronic Industries GmbH, Max-Eyth-Straße 10, 71364 Winnenden, Germany, чертеж за в случай на експлозия, като посочите типа на машината и номер върху заводската табелка.

**СИМВОЛИ**

	Преди пускане на уреда в действие моля прочетете внимателно инструкцията за използване.
	<b>ВНИМАНИЕ! ПРЕДУПРЕЖДЕНИЕ! ОПАСНОСТ</b>
	Преди започване на каквито е да работи по машината извадете акумулатора.
	Не поглъщайте плоската батерия!
	Не използвайте предпазителя за операции по рязане.
	Не използвайте сила.
	Прямяниците силно.
	При работа с машината винаги носете предпазни очила.
	Носете средство за защита на слуха.
	Да се носи подходяща прахозащитна маска.

	Да се носят предпазни ръкавици!
	Винаги работете с две ръце.
	Само за шлифоване.
	Само за рязане.
	Обръщайте внимание на допустимата дебелина на диска.
	Аксесоари - Не се съдържат в обема на доставката, препоръчано допълнение от програмата за аксесоари.
	Електрическите уреди, батерии/акумулаторни батерии не трябва да се изхвърлят заедно с битовите отпадъци. Електрическите уреди и акумулаторни батерии трябва да се събират отделно и да се предават на службите за рециклиране на отпадъците според изискванията за опазване на околната среда. Информирайте се при местните служби или при местните специализирани търговци относно местата за събиране и центровете за рециклиране на отпадъци.
<b>n</b>	Номинална скорост на въртене
<b>V</b>	Напрежение
	Постоянен ток
	Европейски знак за съответствие
	Британски знак за съответствие
	Украински знак за съответствие
	Евро-азиатски знак за съответствие

**DATE TEHNICE**

M18 ONEFLAG230XPDB	
Tip	Polizor unghiular cu acumulator
Număr producție	4835 68 01 XXXXXX MJJJJ
Tensiune acumulator	18 V $\equiv$
Bandă de frecvență Bluetooth (benzi de frecvență)	2400 - 2483,5 MHz
Putere la înaltă frecvență	2 dBm
Versiune Bluetooth	4.2 BT signal mode
Turație nominală	6600 min <sup>-1</sup>
Filetul axului de lucru	M14
D=Diametru disc de rectificare max.	230 mm
d=ø alezajului	22,2 mm

	b=Grosimea discului de șlefuit max.	8 mm
	b=Grosimea discului de tăiere max. / min.	3 mm / 1,9 mm
	D=Diametrul discului abraziv max.	230 mm
	D=ø perii tip cupă max.	100 mm

Greutatea conform „EPTA procedure 01/2014” (Li-Ion 2,0 Ah ... 12,0 Ah)	4,2 ... 5,4 kg
Temperatură ambientală recomandată pentru funcționare	-18 ... +50 °C
Seturi de baterii recomandate	M18B...; M18HB...
Încărcător de baterii recomandat	M12-18...; M1418C6

**Informație privind zgomotul:** Valori măsurate determinate conform EN 60745.

Nivelul de zgomot evaluat cu A al aparatului este tipic de:

Nivelul presiunii sonore / Nesigurantă K	88,4 dB (A) / 3 dB (A)
Nivelul sunetului / Nesigurantă K	99,4 dB (A) / 3 dB (A)

**Purtați căști de protecție**

**Informații privind вибрациите:** Valorile totale de oscilație (suma vectorială pe trei direcții) determinate conform normei EN 60745.

Valoarea emisii de oscilații  $a_n$  / Nesigurantă K

Șlefuirea suprafețelor	5,5 m/s <sup>2</sup> / 1,5 m/s <sup>2</sup>
Șlefuirea cu foaie de șlefuit	3,2 m/s <sup>2</sup> / 1,5 m/s <sup>2</sup>

La alte utilizări, ca de ex. retezatul cu mașina de șlefuit sau șlefuitul cu peria de sârmă de oțel, valorile вибрациilor pot fi diferite!

**AVERTISMENT!**

Nivelul вибрации и emisii de zgomot indicat în această fișă informativă a fost măsurat în conformitate cu o metodă standard de testare specificată în EN 60745 și se poate utiliza pentru a compara dispozitivele între ele. Acesta se poate utiliza și într-o evaluare preliminară a expunerii.

Nivelul declarat al вибрации и emisii sonore reprezintă principalele aplicații ale dispozitivului. Cu toate acestea, dacă dispozitivul este utilizat pentru aplicații diferite, cu accesorii diferite sau întreținute necorespunzător, emisia de vibrații și zgomote poate diferi. Acest lucru poate crește semnificativ nivelul expunerii pe întreaga perioadă de lucru.

O estimare a nivelului de expunere la vibrații și zgomot ar trebui să țină cont și de momentele în care dispozitivul este oprit sau când funcționează, dar nu realizează de fapt nicio lucrare. Acest lucru poate reduce semnificativ nivelul expunerii pe întreaga perioadă de lucru.

Identificați măsuri de siguranță suplimentare pentru a proteja operatorul de efectele вибрациilor și/sau zgomotului, cum ar fi: întreținerea dispozitivului și a accesorilor, menținerea caldă a mâinilor, organizarea modelelor de lucru.

**AVERTISMENT!** Citiți toate avizele de siguranță și indicațiile. Nerespectarea indicațiilor de avertizare și a instrucțiunilor poate provoca electrocutare, incendii și/sau răni grave.

**Păstrați toate indicațiile de avertizare și instrucțiunile în vederea utilizărilor viitoare.**

**INSTRUCȚIUNI DE SIGURANȚĂ PENTRU POLIZORUL UNGHIULAR**

**Avertismente comune pentru șlefuire, șlefuire cu hârtie abrazivă, lucrul cu periile de sârmă, lustruire și tăiere:**

**a) Această sculă electrică se va folosi ca polizor, perie de sârmă și mașină specială de retezat cu disc abraziv.**

**Respectați toate avertismentele, instrucțiunile, reprezentările și datele primite împreună cu scula electrică.** În cazul în care nu veți respecta următoarele instrucțiuni, se poate ajunge la electrocutare, incendii și/sau răni grave.

**b) Această sculă electrică nu este adecvată pentru lustruire.** Utilizarea sculei electrice la operații pentru care nu este concepută poate cauza pericole și accidentări.

**c) Nu folosiți dispozitive de lucru care nu sunt prevăzute și recomandate în mod special de către producător pentru această sculă electrică.** Faptul în sine că dispozitivul respectiv poate fi montat pe scula dumneavoastră electrică nu garantează în niciun caz utilizarea lui sigură.





Pentru o durată de viață cât mai lungă, acumulatorii ar trebui scoși din încărcător după încărcare.

La depozitarea acumulatorilor mai mult de 30 zile:

Acumulatorii se depozitează la cca. 27°C și la loc uscat.

Acumulatorii se depozitează la nivelul de încărcare de cca. 30%-50%.

Acumulatorii se încarcă din nou la fiecare 6 luni.

#### Protecție la suprasarcină la acumulatorii Li-Ion

În cazul unei suprasolicitări a acumulatorului datorită unui consum excesiv de curent electric, de ex. datorită unor momente de turație extrem de înalte, a unei opriri subite sau a unui scurt circuit, scula electrică trepidează timp de 5 secunde, indicația stării de încărcare pălpăie și scula electrică se deconectează de la sine.

Pentru reconectare dați drumul întrerupătorului și conectați din nou. În cazul unor sarcini extreme, acumulatorul se încinge prea tare. În acest caz toate lămpile indicației stării de încărcare pălpăie până când acumulatorul s-a răcit. După ce indicația stării de încărcare s-a stins se poate lucra mai departe.

#### Transportul acumulatorilor cu ioni de litiu

Acumulatorii cu ioni de litiu cad sub incidența prescripțiilor legale pentru transportul de mărfuri periculoase.

Transportul acestor acumulatori trebuie să se efectueze cu respectarea prescripțiilor și reglementărilor pe plan local, național și internațional.

Consumatorilor le este permis transportul rutier nerestricționat al acestui tip de acumulatori.

Transportul comercial al acumulatorilor cu ioni de litiu prin intermediul firmelor de expediție și transport este supus reglementărilor transportului de mărfuri periculoase. Pregătirile pentru expediție și transportul au voie să fie efectuate numai de către personal instruit corespunzător. Întregul proces trebuie asistat în mod competent.

Următoarele puncte trebuie avute în vedere la transportul acumulatorilor:

Pentru a se evita scurtcircuite, asigurați-vă de faptul că sunt protejate și izolate contactele.

Aveți grijă ca pachetul de acumulatori să nu poată aluneca în altă poziție în interiorul ambalajului său. Este interzis transportarea unor acumulatori deteriorați sau care pierd lichid. Pentru indicații suplimentare adresați-vă firmei de expediție și transport cu care colaborați.

#### INDICAȚII DE LUCRU

Pentru sculele care se intenționează a fi dotate cu roți cu orificiu filetat, asigurați-vă că filetul roții este destul de lung pentru a accepta lungimea axului.

Întotdeauna utilizați și păstrați discurile de șlefuire și de tăiere numai în conformitate cu instrucțiunile producătorului.

Întotdeauna utilizați aparatoarea de protecție când se degroșează și se separă.

Discurile de șlefuit cu centrul depresat trebuie montate astfel încât suprafața abrazivă să nu treacă peste marginea planului carcasei de protecție.

Piulița de reglare trebuie să fie stransă înainte de începerea lucrului cu această mașină.

Utilizați întotdeauna mânerul auxiliar.

Piesa de prelucrat trebuie fixată dacă nu este suficient de grea pentru a fi stabilă. Nu îndreptați niciodată piesa de prelucrat către discul polizorului cu mâna.

Piulița cu flanșă trebuie să fie bine stransă înainte de a pune mașina în funcțiune. Dacă scula nu este bine stransă cu piulița cu flanșă, este posibil ca la frânare scula să-și piardă forța de fixare necesară.

#### PROTECȚIE ÎMPOTRIVA SUPRASOLICITĂRII ȘI RECOLULUI

Mașina este dotată cu un sistem de protecție la suprasolicitare și cu un sistem anti-recul și se oprește în cazul unei suprasolicitări corespunzătoare. Oprți dispozitivul electric și apoi reporniți dispozitivul electric pentru a continua lucrul.

#### MOALE DE PORNIRE

Pornirea electronică lină pentru economie previne funcționarea sacadată a mașinii.

#### SISTEM DE FRÂNARE

Frâna de funcționare se cuplează atunci când declanșatorul este eliberat, cauzând oprirea dispozitivului în câteva secunde.

Înainte de a-l pune jos în poziție culcată, asigurați-vă că dispozitivul inserat s-a oprit complet.

Comparativ cu dispozitivele fără frână de funcționare, timpul de funcționare va fi redus puternic la frânare.

#### ONE-KEY™

Pentru a afla mai multe despre funcționalitatea ONE-KEY a acestui dispozitiv, vă rugăm să consultați ghidul rapid anexat acestui produs sau să accesați <http://www.milwaukeetool.com/one-key>

Puteți descărca aplicația ONE-KEY de pe App Store sau Google Play pe Smartphone-ul dvs.

Defecțiunile cauzate de descărcările electrostatice provoacă inclusiv întreruperea comunicării prin Bluetooth. În acest caz conexiunea Bluetooth trebuie restabilită manual. Rezultatele verificării îndeplinesc standardele noastre minime conform EN 55014-2 / EN 301 489-1 / EN 301 489-17.

#### CURĂȚARE

Fantele de aerisire ale mașinii trebuie să fie menținute libere tot timpul

#### ÎNTREȚINERE

Utilizați numai accesorii și piese de schimb Milwaukee. Dacă unele din componente care nu au fost descrise trebuie înlocuite, vă rugăm contactați unul din agenții de service Milwaukee (vezi lista noastră pentru service / garanți

Dacă este necesară, se poate comanda o imagine descompusă a sculei. Vă rugăm menționați numărul art. Precum și tipul mașinii tipărit pe etichetă și comandați desenul la agenții de service locali sau direct la Techtronic Industries GmbH, Max-Eyth-Straße 10, 71364 Winnenden, Germany.

#### SIMBOLURI



Vă rugăm citiți cu atenție instrucțiunile înainte de pornirea mașinii



PERICOL! AVERTIZARE! ATENȚIE!



Îndepărtați acumulatorul înainte de începerea lucrului pe mașina



Nu înghițiți bateria tip nasture!



Nu utilizați dispozitivul de protecție pentru operații de debitare.



A nu se aplica forța.



Aplicați forța.



Purtați întotdeauna ochelari de protecție când utilizați mașina.



Purtați aparatoare de urechi.



Purtați o mască de protecție corespunzătoare împotriva prafului.



Purtați mănuși de protecție!



Operați întotdeauna cu două mâini.



Doar pentru lucrări de șlefuit.



Doar pentru lucrări de tăiere.



Aveți grijă la grosimea permisibilă a discului.



Accesoriu - Nu este inclus în echipamentul standard, disponibil ca accesoriu



Aparatele electrice, bateriile/acumulatorii nu se elimină împreună cu deșeurile menajere. Aparatele electrice și acumulatorii se colectează separat și se predau la un centru de reciclare, în vederea eliminării ecologice. Informați-vă de la autoritățile locale sau de la comercianții acreditați în legătură cu centrele de reciclare și de colectare.



Turație nominală



Tensiune



Marcă de conformitate europeană



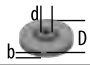
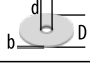


Marcă de conformitate britanică



Marcă de conformitate ucraineană



Marcă de conformitate eurasiatică

ТЕХНИЧКИ ПОДАТОЦИ	M18 ONEFLAG230XPDB
Тип на дизајн	Аголна брусилка на батери
Производен број	4835 68 01 XXXXXX MJJJ
Волтажа на батеријата	18 V =
Фреквентна лента (фреквентни ленти) за блутут	2400 - 2483,5 MHz
високофреквентна моќност	2 dBm
Верзија блутут	4.2 BT signal mode
Номинална брзина	6600 min <sup>-1</sup>
Срце на работната оска	M14
D=Дијаметар на дискот за глодање макс.	230 mm
d=бушење-Ø	22,2 mm
	b=Дебелина на стружниот диск макс. 8 mm
	b=Дебелина на плочата за сечење макс. / мин. 3 mm / 1,9 mm
	D=Дијаметар на брусна плоча макс. 230 mm
	D=Лончести четки-Ø макс. 100 mm
Техина според ЕПТА-процедурата 01/2014 (Li-Ion 2,0 Ah ... 12,0 Ah)	4,2 ... 5,4 kg
Препорачана температура на околината за работа	-18 ... +50 °C
Препорачани комплекти акумулаторски батерии	M18B...; M18HB...
Препорачани полначи	M12-18...; M1418C6
<b>Информации за бучавата:</b> Измерените вредности се одредени согласно стандардот EN 60745. А-оценетото ниво на бучава на апаратот типично изнесува:	
Ниво на звучен притисок / Несигурност К	88,4 dB (A) / 3 dB (A)
Ниво на јачина на звук / Несигурност К	99,4 dB (A) / 3 dB (A)
<b>Носте штитник за уши.</b>	
<b>Информации за вибрации:</b> Вкупни вибрациски вредности (векторски збир на трите насоки) пресметани согласно EN 60745.	
Вибрациска емисиона вредност $a_h$ / Несигурност К	
Површинско брусење	5,5 m/s <sup>2</sup> / 1,5 m/s <sup>2</sup>
Стружење со лист за стружење	3,2 m/s <sup>2</sup> / 1,5 m/s <sup>2</sup>
Кај други апликации, како на пример брусење со делење или брусење со четката со челична жица можат да се појават други вибрациски вредности!	

**ПРЕДУПРЕДУВАЊЕ!** Прочитајте ги сите безбедносни упатства и инструкции. Заборавање на почитувањето на безбедносните упатства и инструкции можат да предизвикаат електричен удар, пожар и/или тешки повреди.

**Сочувајте ги сите безбедносни упатства и инструкции за во иднина.**

#### БЕБЕДНОСНИ УПАТСТВА ЗА АГОЛНА СТРУГАЛКА

Забедносни упатства за мазнење, мазнење со рапава хартија, работа со жичани четки, полирање и делење:

- a) Овој електро-алат треба да се употребува како шлагферица, шлагферица со хартија за шмирглање, четка со жица и машина за брусење со делење. Почитувајте ги сите безбедносни упатства, упатства за работа, прикази и податоци што ги добивате заедно со електричниот алат. Доколку не ги почитувате следните упатства, може да дојде до електричен удар, до пожар и/или до тешки повреди.
- b) Овој електро-алат не е наменет за рапава хартија и за полирање. Секакви употреби, за кои овој алат не е предвиден, можат да предизвикаат загрозувања и повреди.

c) Не употребувајте прибор што не е предвиден и препорачан од производителот специјално за овој електро-алат. Доколку извесен прибор можете да го прицврстите на вашиот електричен алат, тоа не претставува гаранција за сигурно употреба.

d) Бројот на вртежи на алатот, којшто се употребува, мора да биде нај-малку толку висок како и бројот на вртежите на вашиот електро-алат. Додатокот, којшто се врти побрзу, може да се скриша и да излети.

e) Надворешниот дијаметар и дебелината на приборот мора да соодветствуваат со податоците за димензиите на вашиот електро-алат. Приборите со несоодветна димензија не можат да бидат соодветно заштитени или контролирани.

f) Навоите на деловите од приборот мора да се совпаѓаат со навојот на осовината за брусење. Кај деловите од приборот кои што се приспојуваат, бушењето за трнот за натегнување во делот од приборот мора да се совпаѓа со пресекоот на фланшот за локализирање. Делови од приборот кои што не пасуваат на монтажниот трн на апаратот, работат ексцентрично, вибрираат прекумерно силно и можат да доведат до загуба на контролата врз орудие.

g) Не употребувајте оштетен прибор. Пред секоја употреба извршете контрола, како на пример на дисковите за брусење по однос на расцепи и пукнатини, на подножјата за брусење по однос на пукнатини, изабаност или голема искористеност, на четките со жици по однос на лабави или скршени жици. Ако електро-алатот или приборот паднат, проверете, дали тие се оштетени или употребете нештетен прибор. Ако приборот сте го провериле и го употребувате, тогаш вие и лицата, кои се наоѓаат во близина, треба да бидете вон доменот на ротирачкиот прибор и оставете го приборот да работи една минута со максимален број на вртежи. Оштетениот прибор најчесто се крши во овој тест-период.

h) Носете опрема за лична заштита. Зависно од употребата, користете целосна визуелна заштита, заштита за очите или заштитни очила. Доколку е потребно, носете маска за заштита од прашина, заштита за уши, заштитни ракавици или специјална престилка, со која се заштитувате од ситни честички од шлагфувањето и од материјалот. Очите треба да бидат заштитени од страни тела што се разлетуваат наоколу, а кои настануваат при различни употреби. Заштита маска од прашина и за дишење мора да ја филтрираат прашина што се создава при работата. Доколку сте подолго време изложени на гласна бучава, тоа може да предизвика губење на слухот.

i) Кај лицата што стојат во близина внимавајте на тоа да се почитува безбедно растојание од вашиот делокруг на работа. Секој што ќе пристали во делокругот на работа, мора да носи опрема за лична заштита. Можат да се разлетаат парчиња од работниот материјал или од скршен прибор и да предизвикаат повреди, исто така и надвор од директниот делокруг на работа.

j) Држете го електричниот алат за издадените површини при изведување на операции при кои алатот за сечење можат да дојдат во контакт со скриени жици. Контакт со жица под напон исто така ќе направи проводници од металните делови и оној кој ракува со алатот ќе доживее струен удар.

k) Никогаш не го оставајте електро-орудието ако орудие то се применување не е дојдено во потполно мирување. Електро-алатот што се врти може да дојде во контакт со површината, на којшто се остава, а на тој начин можете да ја изгубите контролата над електро-алатот.

l) Не оставајте го електро-алатот да работи додека го носите. Вашата облека може да биде закачена преку случаен контакт со приборот што се врти, при што тој може да навлезе во вашето тело.

m) Редовно чистете го отворот за проветрување на вашиот електро-алат. Вентилаторот на моторот влече прашина во кукиштето, а голема насобирање на метална прашина може да предизвика електрични опасности.

n) Не употребувајте го електро-алатот во близина на материјали што горат. Таквите материјали можат да се запалат од искри.

o) Не употребувајте прибор, за којшто се потребни течни средства за ладење. Употребата на вода или на други течни средства за ладење може да доведе до електричен удар.

#### Повратен удар и референтни безбедносни упатства

Повратниот удар претставува неочекувана реакција како последица на заглавен или блокиран прибор што се врти, како на диск за брусење, подножје за брусење, четка со жица итн. Заглавувањето или блокирањето доведува до неодоливо стопирање на ротирачкиот прибор. На тој начин неконтролираниот електро-алат се забрзува во спротивна насока од насоката на вртење на приборот во точката на спојување.

Доколку, на пример, диск за брусење е заглавен или блокиран во материјалот, работ на дискот за брусење што навлегува во материјалот, може да се закачи и на тој начин да дојде до излегување на дискот или да се предизвика повратен удар. Во такъв случај дискот за брусење се движи или кон операторот или настрана од него, зависно од насоката на вртење на дискот во точката на спојување. Притоа дисковите за брусење можат исто така и да се скришат.

Повратен удар претставува последица од погрешна или неисправна употреба на електро-алатот. Тој може да биде избегнат со соодветни мерки на претпазливост, како што се опишани подолу.

a) Држете го електро-алатот цврсто и поставете ги вашето тело и вашите раце во позиција, со која ќе можете да дадете отпор на силите од повратиот удар. Секогаш употребувајте ја додатната рачка, доколку постои, за да можете да имате максимална можна контрола над силите од повратниот удар или на моментите на реакција при пуштање во работа. Операторот може да ги контролира силите на повратниот удар и реакционите сили со преземање соодветни мерки на претпазливост.

b) Никогаш не поставувајте ја вашата рака во близина на прибор што се врти. При повратен удар, приборот може да ви помине преку раката.

c) Избегнувајте го со вашето тело местото, во кое електро-алатот се движи во случај на повратен удар. Повратниот удар го води електро-алатот во спротивна насока од насоката на движење на дискот за брусење на местото за спојување.

d) Работете особено внимателно кај агли, остри рабови итн. Спречувајте ситуација, во кои приборот се одбива од и заглавува во материјалот за обработка. Кај агли, остри рабови или во случај на одбивање ротирачкиот прибор е склон кон заглавување. Тоа предизвикува губење на контролата или повратен удар.

e) Не употребувајте лист за пилење со ланци или запчаници. Таквите орудиа за примена честопати предизвикуваат повратен удар или губење на котролата врз електро-орудието.

#### Специјални безбедносни упатства за шлагфување и шлагфување со делење

- a) Употребувајте ги исклучително алатите за брусење што се одобрени за вашиот електро-алат како и заштитната капа што е предвидена за таквите алати за брусење. Алати за брусење, коишто не се предвидени за електро-алатот, не можат да бидат доволно заштитени и се несигурни.
- b) На косо сечени листови за стружење мора да бидат монтирани на тој начин што нивната површина за стружење нема да излегува надвор од нивото на работ на заштитната хауба. Нестручно монтиран диск за стружење кој што излегува надвор од нивото на работ на заштитната хауба не може да биде доволно заштитен.



**ONE-KEY™**

За да дознаете повеќе за ONE-KEY функциите на овој уред, прочитајте го приложеното упатство за Брз старт или посетете нè на веб-страницата: <http://www.milwaukeeetool.com/one-key>

Апликацијата ONE-KEY можете да ја синнете на Вашиот смартфон преку App Store или Google Play.

Дефектите предизвикани како последица електростатски празнења водат кон прекин на bluetooth комуникацијата. Во тој случај, контакт со bluetooth мора повторно да биде воспоставен мануелно. Резултатите од испитувањата ги исполнуваат нашите минимални барања согласно EN 55014-2 / EN 301 489-1 / EN 301 489-17.

**ЧИЩЕЊЕ**

Вентилациските отвори на машината мора да бидат комплетно отворени постојано.

**ОДРЖУВАЊЕ**

Користете само Milwaukee додатоци и резервни делови. Доколку некои од компонентите кои не се опишани треба да бидат заменети, Ве молиме контактирајте ги сервисните агенти на Milwaukee (консултирајте ја листата на адреси).

Доколку е потребно можно е да биде набавен детален приказ на алатот. Ве молиме наведете го бројот на артиклот како и типот на машина кој е отпечатен на етикетата и порачајте ја скицата кај локалниот застапник или директно кај: Techtronic Industries GmbH, Max-Eyth-Straße 10, 71364 Winnenden, Germany.

**СИМБОЛИ**

	Ве молиме пред да ја стартувате машината обрнете внимание на упатствата за употреба.
	<b>ВНИМАНИЕ! ПРЕДУПРЕДУВАЊЕ! ОПАСНОСТ!</b>
	Извадете го батерискиот склоп пред отпочнување на каков и да е зафат врз машината.
	Не проголтајте ја ќелиската батерија!
	Штитникот немојте да го користите за отсекување.
	Не употребувајте сила.
	Примени сила.
	Секогаш при користење на машината носете ракавици.
	Носете штитник за уши.
	Не ја вдишувајте. Носете соодветна заштитна маска.

	Носете ракавици!
	Секогаш работете со обете раце.
	Само за работи на брусење.
	Само за работи на сечење.
	Внимавајте на дозволената дебелина на дискот.
	Дополнителна опрема - Не е вклучена во стандардната, а достапна е како додаток.
	Електричните апарати и батериите што се полнат не смеат да се фрлат заедно со домашниот отпад. Електричните апарати и батериите треба да се собираат одделно и да се однесат во соодветниот погон заради нивно фрлање во склад со начелата за заштита на околината. Информирајте се кај Вашите местни служби или кај специјализираниот трговски претставник, каде има такви погони за рециклажа и собирни станици.
<b>n</b>	Номинална брзина
<b>v</b>	Напон
	Истосмерна струја
	Европска ознака за сообразност
	Британска ознака за сообразност
	Украинска ознака за сообразност
	Евроазиска ознака за сообразност

**ТЕХНИЧНИ ХАРАКТЕРИСТИКИ****M18 ONEFLAG230XPDB**

Тип конструкції	Акумулаторна кутова шліфувална машина
Номер výroby	4835 68 01 XXXXXX MJJJJ
Напруга знімної акумулаторної батареї	18 V $\equiv$
Диапазон частот Bluetooth (диапазони частот)	2400 - 2483,5 MHz
потужність високої частоти	2 dBm
Версія Bluetooth	4.2 BT signal mode
Номинальна кількість обертів	6600 min <sup>-1</sup>
Різьба шпинделя	M14
D=Ø шліфувального диску макс.	230 mm
d=Ø отвору	22,2 mm
	b=Товщина шліфувального диску макс. 8 mm
	b=Товщина відрізного диску макс. / мин. 3 mm / 1,9 mm
	D=Діаметр шліфувального диска макс. 230 mm
	D=Ø чашкової щітки макс. 100 mm
Вага згідно з процедурою EPTA 01/2014 (Li-Ion 2,0 Ah ... 12,0 Ah)	4,2 ... 5,4 kg
Температура навколишнього середовища, рекомендована для експлуатації	-18 ... +50 °C
Рекомендовані акумулатори	M18B...; M18HB...
Рекомендовані зарядні пристрої	M12-18...; M1418C6
<b>Інформація про шум:</b> Виміряні значення визначені згідно з EN 60745.	
Рівень шуму "А" приладу становить в типовому випадку:	
Рівень звукового тиску / похибка K =	88,4 dB (A) / 3 dB (A)
Рівень звукової потужності / похибка K =	99,4 dB (A) / 3 dB (A)
<b>Використовувати засоби захисту органів слуху!</b>	
<b>Інформація щодо вібрації:</b> Сумарні значення вібрації (векторна сума трьох напрямків), встановлені згідно з EN 60745.	
Значення вібрації a <sub>n</sub> / похибка K =	
Шліфування поверхні	5,5 m/s <sup>2</sup> / 1,5 m/s <sup>2</sup>
Шліфування диском з абразивної шкірки	3,2 m/s <sup>2</sup> / 1,5 m/s <sup>2</sup>
Для інших робіт, наприклад, відрізного шліфування або шліфування щіткою із сталевого дроту, можуть мати місце інші значення вібрації!	

**⚠ ПОПЕРЕДЖЕННЯ!**

Заявлені значення шумового випромінювання, вказані в цьому інформаційному аркуші, було виміряно відповідно до стандартизованого випробування згідно з EN 60745 та можуть використовуватися для порівняння одного інструмента з іншим. Вони також можуть використовуватися для попередньої оцінки рівня впливу на організм.

Вказані значення вібрації та шумового випромінювання дійсні для основних областей застосування інструмента. Якщо інструмент використовується в інших областях застосування чи з іншим приладдям або не проходить належне обслуговування, значення вібрації та шумового випромінювання можуть відрізнятись. Це може суттєво збільшити рівень впливу на організм протягом загального періоду роботи.

Під час оцінки рівня впливу вібрації та шумового випромінювання на організм також необхідно враховувати періоди, коли інструмент вимкнено, чи коли він працює, але фактично не використовується для виконання роботи. Це може суттєво знизити рівень впливу на організм протягом загального періоду роботи.

Визначте додаткові заходи для захисту оператора від впливу вібрації та/або шуму, наприклад, обслуговування інструмента та його приладдя, зберігання рук у теплі, організація графіків роботи.

**⚠ ПОПЕРЕДЖЕННЯ!** Прочитайте всі вказівки з техніки безпеки та інструкції. Упущення при дотриманні вказівок з техніки безпеки та інструкцій можуть призвести до ураження електричним струмом, пожежі та/або тяжких травм. **Зберігайте всі вказівки з техніки безпеки та інструкції на майбутнє.**

**ВКАЗІВКИ З ТЕХНІКИ БЕЗПЕКИ ДЛЯ КУТОВИХ ШЛІФУВАЛЬНИХ МАШИН**

**Загальні вказівки з техніки безпеки для шліфування, шліфування з наждачним папером, робіт з дротяними щітками та відрізного шліфування:**

**а) Цей електроінструмент використовується як шліфувальна машина, шліфувальна машина з наждачним папером, дротяна щітка та відрізна шліфувальна**



## ВИКОРИСТАННЯ ЗА ПРИЗНАЧЕННЯМ

Кутова шліфувальна машина призначена для шліфування та розрізання металу, каменю, бетону та кераміки, а також для обробки шліфувальним папером і металевою щіткою.

Для розрізання використовуйте кришку для розрізання з асортименту додаткового приладдя.

Дотримуйтесь вказівок виробника комплектуючих.

Електроінструмент призначений лише для сухої обробки.

Встановлюйте на кутову шліфувальну машину лише відповідні шліфувальні або різальні диски та супутні захисні пристрої (захисний кожух для шліфування чи розрізання) відповідно до вказівок у розділі зі специфікацією продукту в цьому посібнику. Кутова шліфувальна машина призначена для ручного використання та не призначена для установки на робочому столі або на кріпильних пристроях.

Не використовуйте цей продукт для будь-якої іншої мети; використовуйте його лише згідно зі вказаним цільовим призначенням.

## ЗАЛИШКОВІ НЕБЕЗПЕКИ

Навіть при належному використанні не можна виключити всі залишкові ризики. При використанні можуть виникнути такі небезпеки, на які користувач повинен звернути особливу увагу:

- Травми внаслідок вібрації. Тримайте прилад за передбачені для цього руків'я і обмежуйте час роботи та експозиції.
- Шумовий вплив може погіршити слух. Носіть захисні навушники і обмежуйте тривалість експозиції.
- Травми очей, викликані частинками забруднень. Завжди надягайте захисні окуляри, щільні довгі штани, рукавиці і міцне взуття.
- Вдихання отруйного пилу.

## ВКАЗІВКИ ЩОДО ЛІТІЙ-ІОННИХ АКУМУЛЯТОРІВ

### Застосування літій-іонних акумуляторів

Знімну акумуляторну батарею, що не використовувалася тривалий час, перед використанням необхідно підзарядити.

Температура понад 50 °C зменшує потужність знімної акумуляторної батареї. Уникайте тривалого нагрівання сонячними променями або системою обігріву.

З'єднувальні контакти зарядного пристрою та знімної акумуляторної батареї повинні бути чистими.

Для забезпечення оптимального строку експлуатації акумуляторні батареї після використання необхідно повністю зарядити.

Для забезпечення максимального можливого терміну експлуатації акумуляторні батареї після зарядки необхідно виймати з зарядного пристрою.

При зберіганні акумуляторної батареї понад 30 днів:

Зберігати акумуляторну батарею при температурі приблизно 27 °C в сухому місці.

Зберігати акумуляторну батарею в стані зарядки приблизно 30-50 %.

Кожні 6 місяців заново заряджати акумуляторну батарею.

### Захист від перевантаження літій-іонних акумуляторів

У випадку перевантаження акумуляторної батареї внаслідок дуже високого споживання струму, наприклад, надмірно високого крутильного моменту, раптової зупинки або короткого замикання, електроінструмент відреагує 5 секунд, індикатор заряду блимає, електроінструмент самостійно вимикається.

Для повторного увімкнення відпустити кнопку вимикача і знов увімкнути. При надмірних навантаженнях акумуляторна батарея сильно перегрівається. В цьому випадку всі лампочки індикатора заряду блимають, доки акумуляторна батарея не охолоне. Можна продовжити роботу після того, як індикатор заряду згасне.

## Транспортування літій-іонних акумуляторних батарей

Літій-іонні акумуляторні батареї підпадають під законоположення про перевезення небезпечних вантажів.

Транспортування таких акумуляторних батарей повинно відбуватися із дотриманням місцевих, національних та міжнародних приписів та положень.

Споживачі можуть без проблем транспортувати ці акумуляторні батареї по вулиці.

Комерційне транспортування літій-іонних акумуляторних батарей експедиторськими компаніями підпадає під положення про транспортування небезпечних вантажів. Підготовку до відправлення та транспортування можуть здійснювати виключно особи, які пройшли відповідне навчання. Весь процес повинні контролювати кваліфіковані фахівці.

При транспортуванні акумуляторних батарей необхідно дотримуватись зазначених далі пунктів:

Переконайтесь в тому, що контакти захищені та ізовані, щоб запобігти короткому замиканню.

Слідкуйте за тим, щоб акумуляторна батарея не переміщувалася всередині упаковки. Пошкоджені акумуляторні батареї, або акумуляторні батареї, що потекли, не можна транспортувати. Для отримання подальших вказівок звертайтеся до своєї експедиторської компанії.

## ВКАЗІВКИ ЩОДО ЕКСПЛУАТАЦІЇ

При використанні шліфувальних інструментів з нарізною вставкою переконайтеся в тому, що різьба достатньо довга для довжини шпинделя.

Завжди використовувати та зберігати відрізи та шліфувальні диски відповідно до вказівок виробника.

При обдиранні та різанні завжди працювати з захисним кожухом.

Вигнуті шліфувальні диски монтувати так, щоб шліфувальна поверхня закінчувалася не менш ніж на 2 мм під рівнем краю захисного кожуха.

Фланцева гайка має бути затягнена перед введенням приладу в дію.

Завжди користуйтеся додатковою рукояткою.

Оброблювану заготовку необхідно міцно закріпити, якщо вона не тримається завдяки власній вазі. Ніколи не вести заготовку рукою до диска.

Перед введенням приладу в дію фланцева гайка має бути добре затягненою. Якщо вставний інструмент не затягнений міцно фланцевою гайкою, існує вірогідність того, що вставний інструмент при гальмуванні втратить необхідну силу натягу.

## ЗАХИСТ ВІД ПЕРЕВАНТАЖЕННЯ ТА ЗВОРОТНОГО УДАРУ

Прилад оснащений функцією захисту при перевантаженні та функцією проти віддачі при відповідному надмірному навантаженні. Вимкніть електропривідний інструмент, а потім увімкніть його знову для продовження роботи.

## ПЛАВНИЙ ПУСК

Електронний плавний пуск для безпечної роботи запобігає при увімкненні різкому розгону машини.

## ГАЛЬМІВНА СИСТЕМА

Робоче гальмо вмикається, коли відпускається кнопка запуску, завдяки чому інструмент зупиняється за кілька секунд.

Перед демонтажем переконайтеся в тому, що вставний інструмент повністю зупинився.

У порівнянні з інструментами без робочого гальма тривалість залишкового руху суттєво скорочується.

## ONE-KEY™

Додаткову інформацію щодо функції ONE-KEY цього пристрою див. в наданому до цього продукту короткому посібнику щодо початку роботи або на нашому інтернет-сайті <http://www.milwaukeeeetool.com/one-key>

Можна завантажити застосунок ONE-KEY через App Store або Google Play на ваш смартфон.

Порушення, викликані впливом електростатичного розряду, також призводять до переривання зв'язку Bluetooth. У цьому випадку з'єднання Bluetooth має бути знову встановлене вручну. Результати випробувань відповідають нашим мінімальним вимогам згідно з EN 55014-2 / EN 301 489-1 / EN 301 489-17.

## ЧИСТКА

Завжди підтримувати чистоту вентиляційних отворів.

## ОБСЛУГОВУВАННЯ

Використовувати тільки комплектуючі та запчастини Milwaukee. Деталі, заміна яких не описується, замінювати тільки в відділі обслуговування клієнтів Milwaukee (зверніть увагу на брошуру "Гарантія / адреси сервісних центрів").

У разі необхідності можна запросити креслення з зображенням вузлів машини в перспективному вигляді, для цього потрібно звернутися в ваш відділ обслуговування клієнтів або безпосередньо в Techtronic Industries GmbH, Max-Eyth-Straße 10, 71364 Winnenden, Німеччина, та вказати тип машини та шестизначний номер на фірмовій табличці з даними машини.

## СИМВОЛИ

	Уважно прочитайте інструкцію з експлуатації перед введенням приладу в дію.
	УВАГА! ПОПЕРЕДЖЕННЯ! НЕБЕЗПЕЧНО!
	Перед будь-якими роботами на приладі вийняти змінну акумуляторну батарею.
	Не ковтати мініатюрний елемент живлення!
	Не використовуйте захисний щиток для операцій відрізання.
	Не застосовувати силу.
	Застосувати силу.
	Під час роботи з машиною завжди носити захисні окуляри.
	Користуйтеся засобами захисту органів слуху.
	Носити відповідну маску для захисту від пилу.

	Носити захисні рукавиці!
	Завжди працюйте двома руками.
	Тільки для робіт зі шліфування.
	Тільки для робіт з відрізання.
	Звертайте увагу на допустиму товщину диска.
	Комплектуючі - не входять в обсяг постачання, рекомендовані доповнення з програми комплектуючих.
	Електроприлади, батареї/акумулятори заборонено утилізувати разом з побутовим сміттям. Електричні прилади і акумулятори слід збирати окремо і здавати в спеціалізовану компанію для утилізації відповідно до норм охорони довкілля. Зверніться до місцевих органів або до вашого дилера, щоб отримати адреси пунктів вторинної переробки та пунктів прийому.
<b>n</b>	Номінальна кількість обертів
<b>v</b>	Напруга
	Постійний струм
	Європейський знак відповідності
	Британський знак відповідності
	Український знак відповідності
	Євразійський знак відповідності

تحذير! تحذير! تجنب أخطار الحريق أو الإصابة أو الإضرار بالمنتج التي تنتج عن الماس الكهربائي، لا تعمر الأداة أو البطارية القابلة للاستبدال أو جهاز الشحن في السوائل وأحرص على أن لا تصل السوائل إلى داخل الجهاز والبطارية. السوائل المؤدية للتآكل أو الموصلة للتيار الكهربائي، مثل الماء المتنجس ومركبات كيميائية معينة ومواد التبييض أو المنتجات التي تشمل على مواد تبيض، يمكن أن تؤدي إلى حدوث ماس كهربائي.

لا تقم أبداً بفتح قفل البطارية والشواحن ولا تخزنها إلا في غرف جافة. وحافظ عليها جاف طوال الوقت.

استخدم فقط شواحن System M18 لشحن بطاريات System M18 . لا تستخدم بطاريات من أنظمة أخرى.

**تحذير!** يحتوي هذا الجهاز على بطارية من خلايا الليثيوم على شكل عملة

معدنية/أزرق. قد تتسبب البطارية الجديدة أو المستخدمة في حرائق داخلية عديدة وتؤدي إلى الوفاة في أقل من ساعتين في حالة يلعبها أو دخولها الجسم. احرص على تثبيت المعاء بمقصورة البطارية دوماً. وفي حالة عدم إغلاقه بإحكام، أوقف الجهاز، وأزل البطارية واحتفظ بها بعيداً عن متناول الأطفال. إذا كنت تعتقد أن شخصاً ما قد بلغ البطارية أو أنها دخلت إلى الجسم، فاطلب العناية الطبية الفورية.

#### شروط الاستخدام المحددة

صُممت مطحنة الزاوية للاستخدام في طحن وقطع المعادن والأحجار والخرسانة والمواد الخرفية وكذلك التنظيف بالرميل وتنظيف الأسلاك بالفرشاة.

لغرض القطع، استخدم غطاء القطع من مجموعة الملحقات.

اتبع دائماً تعليمات الشركة المصنعة إذا لم تكن متأكدًا بشأن ما ينبغي عليك القيام به مع الماكينة. الآلة مخصصة فقط للاستخدام الجاف.

يجب فقط تثبيت أقراص الطحن أو القطع المناسبة والواقبات ذات الصلة (واقى الطحن أو واقى القطع) على النحو الموضح في قسم مواصفات المنتج بهذا الدليل في مطحنة الزاوية. فقد صُممت مطحنة الزاوية للاستخدام المحمول باليد ولا ينبغي تحميلها على التجهيزات الثابتة أو طاولة العمل.

لا تستخدم المنتج بأي طريقة غير الموضحة للاستخدام المقصود.

#### المخاطر المتبقية

أيضاً عند الاستخدام الصحيح لا يمكن استبعاد جميع المخاطر المتبقية. عند الاستعمال قد تنشأ المخاطر التالية التي يجب على المستخدم مراعاتها بشكل خاص.

- الإصابات الناتجة عن الاهزازات. أمسك الجهاز من المقابض المخصصة لذلك وحدد أوقات العمل وحطة العمل.
- يمكن أن تسبب الضوضاء في أضرار سمعية. لذا يرح ارتداء واقى للسمع وقد يحدد فترة العمل.
- إصابات العين الناتجة عن جزيئات القذورات. ارتدي دائماً نظارة واقية، وبنظون طويل وقفازات وحذاء واقى
- استنشاق الأتربة السامة.

#### ارشادات خاصة ببطاريات أيون الليثيوم القابلة للشحن

##### استخدام بطاريات أيون الليثيوم القابلة للشحن

يجب إعادة شحن البطارية غير المستخدمة لفترة قبل الاستخدام.

تقلل درجات الحرارة التي تتجاوز 50°سليزيوس (122°فهرنهايت) من أداء البطارية. تجنب التعرض الزائد للحرارة أو أشعة الشمس (خطر التسخين).

يجب الحفاظ على محتويات الشواحن والبطاريات نظيفة. للحصول على فترة استخدام مثالية، يجب شحن البطاريات تماماً، بعد الاستخدام. للحصول على أطول عمر ممكن للبطارية، انزع البطارية من الشاحن بمجرد شحنها تماماً.

لتحزين البطارية أكثر من 30 يوم:

خزن البطارية بحيث تكون درجة الحرارة أقل من 27° سليزيوس وبعيداً عن أي رطوبة خزن البطارية مشحونة بنسبة تتراوح بين 30- 50% استشرح البطارية كالمعتاد، وذلك كل ستة أشهر من التحزين.

##### حماية بطاريات أيون الليثيوم القابلة للشحن من التحميل الزائد

في حالات العزم العالي، أو إعاقة الحركة أو التوقف المفاجئ أو القصور في الدائرة الكهربائية الذي ينتج عنه سحب لفر كبير من التيار الكهربائي، يستصدر الأداة ذبذبات لمدة 5 ثوان، وسيضيء مقياس الوقود ثم تتوقف عن العمل.

لاعادة الضبط، حرر الزناد. في الظروف القصوى للعمل، قد ترتفع درجة الحرارة الداخلية للبطارية ارتفاعاً شديداً. إذا حدث ذلك، سيضيء مقياس الوقود حتى تنخفض درجة حرارة البطارية. بعد انطفاء الأضواء، يمكنك متابعة العمل.

#### نقل بطاريات الليثيوم

تخضع بطاريات الليثيوم أيون لشروط قوانين نقل السلع الخطرة.

ويجب نقل هذه البطاريات وفقاً لأحكام والقوانين المحلية والوطنية والدولية.

يمكن للمستخدم نقل البطاريات براً دون الخضوع لشروط أخرى.

يخضع النقل التجاري لبطاريات الليثيوم أيون عن طريق الغير إلى قوانين نقل السلع الخطرة. يتعين أن يقوم أفراد مدربون جيداً بالإعداد لعملية النقل والقيام بها بصحة خيراً مثلهم.

متى تُنقل البطاريات:

عند التأكد من حماية أطراف توصيل البطارية وعزلها تجنباً لحدوث قصر بالذاترة.

عند التأكد من حماية حزمة البطارية من الحركة داخل صندوق التعبئة. يُرجى عدم نقل البطاريات التي بها تشققات أو تسربات. يُرجى البحث مع شركة الشحن عن نصيحة أخرى

#### نصائح العمل

بالنسبة للملحقات العدة للتثبيت مع قرص ثقب ملولبة، يجب التأكد من أن الأسنان المزودة بالقرص طويلة بما يكفي لقبول طول محور الدوران.

قم باستخدام وحفظ قرص القطع والتخليل دائماً حسب تعليمات الشركة المنتجة.

يجب دائماً ارتداء واقى عند إجراء أعمال التخليل والقطع

أقراص التخليل المتحركة يجب تركيبها بحيث يكون سطح التخليل الخاص بها لا يعلو مستوى حافة حاجب الحماية.

يجب إحكام ربط صامولة الضبط قبل بدء تشغيل الماكينة.

استخدم دائماً المقيض الإضافي.

قطعة التصنيع التي يجب معالجتها يجب أن تكون مثبته، طالما أنها لن تكون ثابتة من خلال وزنها. لا تمسك قطعة التصنيع باليد لمعالجتها بالقرص.

يجب تشديد ربط صمولة الحافة قبل استخدام الماكينة. إذا لم يتم تشديد صمولة الحافة في الآلة، فهناك إمكانية أن تنفد الآلة قوة الشد الضرورية عند الإيقاف.

#### الحماية من الحمولة الزائدة والارتداد

الجهاز يتوافق به خاصية حماية ضد الشحن الزائد والصددمات الارتدادية ويتوقف عن العمل طيقاً لذلك عند التحميل الزائد. أوقف تشغيل الأداة الكهربائية ثم أعد تشغيلها مرة أخرى لاستكمال العمل.

#### تشغيل هادئ

يمنع التشغيل الإلكتروني السلس الخاص بالاستخدام الآمن الزيادة الاعتاشية للآلة.

#### نظام المكابح

تعمل المكابح عند إطلاق زر الانطلاق، مما يتسبب في إيقاف القطعة الملحقة في غضون ثوانٍ.

وتأكد من أن القطعة الملحقة توقفت تماماً قبل طرحها.

وبالمقارنة مع الآلات التي لا تتمتع بمكب، فإن وقت التشغيل ينخفض بشكل ملحوظ بفضل الكبح.

#### ONE-KEY™

لمعرفة المزيد حول عمل خاصية "المفتاح الواحد" المزود بها هذا الجهاز، اقرأ الدليل المختصر المرفق أو تفضل زيارة موقع الإنترنت <http://www.milwaukeeetool.com/one-key> يمكنك تحميل تطبيق "المفتاح الواحد" عن طريق Google Play أو App Store على هاتفك الذكي.

الإضرابات الناجمة عن التفريغ الكهربائي للشحنات الكهروستاتيكية تؤدي أيضاً إلى انقطاع اتصالات البلوتوث. في هذه الحالة يجب إعادة اتصال البلوتوث يدوياً مرة أخرى. نتائج الفحص تلي أقل متطلبات لدينا تبعاً للمعايير الأوروبية  
EN 55014-2 / EN 301 489-1 / EN 301 489-17.

#### التنظيف

يجب أن تكون فتحات تهوية الجهاز نظيفة طوال الوقت.

#### الصيانة

استخدم فقط ملحقات ميلوكي وكذلك قطع غيار ميلوكي. إذا كانت المكونات التي يجب تغييرها غير مذكورة، يرجى الاتصال بأحد عملاء صيانة ميلوكي (انظر قائمة عناوين الضمان/الصيانة الخاصة بنا).

عند الحاجة يمكن طلب رمز انفجار الجهاز بعد ذكر طراز الآلة والرقم السداسي المذكور على بطاقة طاقة الآلة لدى جهة خدمة العملاء أو مباشرة لدى شركة

Techronic Industries GmbH  
Max-Eyth-Str. 10  
71364 Winnenden  
ألمانيا

#### الرموز

يرجى قراءة التعليمات بعناية قبل بدء تشغيل الجهاز.

تنبيه! تحذير! خطأ!

انزع البطارية قبل التعامل مع الجهاز.

لا تلمس البطاريات الخلووية الزرا!

لا تستخدم الواقية لإجراء عمليات القطع.

لا تستخدم القوة

استخدم القوة.

ارتد دائماً نظارات الواقية عند استخدام الجهاز.

ارتد واقيات الأذن.

لا تستنشق هذه الأتربة. ارتد قناعاً واقياً من الأتربة مناسباً.

ارتد القفازات!

احرص دائماً على التشغيل بكتنا يدك.

مخصصة لأعمال التخليل فقط

مخصصة لأعمال القطع فقط

انتبه إلى سُمك القرص المسموح به.

الملحق - ليس مدرجاً كمعدة قياسية، متوفر كملحق.

يحظر التخلص من الأجهزة الكهربائية والبطاريات/البطاريات القابلة للشحن في القمامة المنزلية. يجب جمع الأجهزة الكهربائية والبطاريات القابلة للشحن منفصلة وتسليمها للتخلص منها بشكل لا يضر بالبيئة لدى شركة إعادة استغلال. الرجاء الاستفسار لدى الهيئات المحلية أو لدى التجار المتخصصين عن مواقع إعادة الاستغلال ومواقع الجمع.

n	الحد الأقصى للسرعة المقدره
v	الجهد الكهربى
III	التيار المستمر
CE	علامة التوافق الأوربية
UK CA	علامة التوافق البريطانية
001	علامة التوافق الأوكرائية
EAC	علامة التوافق الأوربية الآسيوية





### EC DECLARATION OF CONFORMITY

We declare as the manufacturer under our sole responsibility that the product described under "Technical Data" fulfills all the relevant regulations and directives listed below and that the following harmonized standards have been used.

### EG-KONFORMITÄTSEKLERUNG

Wir erklären als Hersteller in alleiniger Verantwortung, dass das unter „Technische Daten“ beschriebene Produkt alle nachstehend aufgeführten relevanten Verordnungen und Richtlinien erfüllt und dass die folgenden harmonisierten Normen angewandt wurden.

### DÉCLARATION CE DE CONFORMITÉ

Nous déclarons en tant que fabricant et sous notre seule responsabilité, que le produit décrit dans « Données techniques » est conforme à toutes les réglementations et directives pertinentes mentionnées ci-après et que les normes harmonisées suivantes ont été appliquées.

### DICHIARAZIONE CE DI CONFORMITÀ

In qualità di produttore dichiaro sotto la nostra esclusiva responsabilità che il prodotto descritto nei "Dati tecnici" è conforme a tutti i regolamenti e tutte le direttive pertinenti elencati qui di seguito e che sono state usate le seguenti norme armonizzate.

### DECLARACIÓN CE DE CONFORMIDAD

Declaramos como fabricante y bajo nuestra responsabilidad que el producto descrito bajo "Datos técnicos" está en conformidad con todos los reglamentos y directivas detallados a continuación y que se han utilizado las siguientes normas armonizadas.

### DECLARAÇÃO CE DE CONFORMIDADE

Como fabricante, declaramos sob responsabilidade exclusiva, que o produto descrito sob "Dados Técnicos" corresponde com todos os regulamentos relevantes e diretivas abaixo que as seguintes normas harmonizadas foram utilizadas.

### EG-VERKLARING VAN OVEREENSTEMMING

Wij als fabrikant verklaren in uitsluitende verantwoording dat het onder "Technische gegevens" beschreven product aan alle onderstaand vermelde relevante verordeningen en richtlijnen voldoet en dat de volgende geharmoniseerde normen werden toegepast.

### EF-OVERENSSTEMMELSESERKLÆRING

Vi erklærer som producent og eneansvarlig, at produktet, der er beskrevet under "Tekniske data", opfylder kravene i alle relevante forordninger og direktiver som nævnt nedenfor og at nedenstående harmoniserede standarder er blevet anvendt.

### EF-SAMSVARSERKLÆRING

Som producent erklærer vi under eget ansvar at produktet som beskrives under « Tekniske data » opfylder alle relevante forordninger og direktiver som står oppført nedenfor og at de følgende harmoniserede standarder har blitt brukt.

### EG-FÖRSÄKRAN ÖVERENSSTÄMMELSE

Vi som tillverkare förklarar under eget ansvar, att den produkt som beskrivs under "Tekniska data" överensstämmer med alla de nedan angivna relevanta förordningarna och direktiven och att de följande harmoniserade normen har tillämpats.

### EY-VAATIMUSTENMUKAISUUSVAKUUTUS

Vakuutamme valmistajan ominaisuudessa yksinvastuullisesti, että kohdassa "Tekniset tiedot" kuvattu tuote täyttää kaikki seuraavassa luettellut sitä koskevat asetukset ja direktiivit ja että seuraavia harmonisoituja standardeja on sovellettu.

### ΑΝΑΛΩΣΗ ΣΥΜΜΟΡΦΩΣΗΣ ΕΚ

Ως κατασκευαστής δηλώνουμε υπευθυνα ότι το προϊόν που περιγράφεται στο κεφάλαιο «Τεχνικά Χαρακτηριστικά», πληροί όλους τους κανονισμούς κι όλες τις οδηγίες που αναφέρονται σχετικά παρακάτω, και για το οποίο έχουν εφαρμοστεί τα ακόλουθα εναρμονισμένα πρότυπα.

### AT UYGUNLUK BEYANI

Üretici sıfatıyla tek sorumlu olarak "Teknik Veriler" bölümünde tarif edilen ürünün aşağıda sıralanan bütün ilgili yönetmelik ve direktiflere uygun olduğunu ve aşağıdaki uyumlaştırılmış standartların kullanıldığını beyan etmekteyiz.

### ES PROHLÁŠENÍ O SHODĚ

My jako výrobce prohlašujeme na svou vlastní odpovědnost, že produkt popsáný v části „Technické údaje“ splňuje všechna příslušná nařízení a směrnice uvedené níže a že byly použity následující harmonizované normy.

### ES VYHLÁSENIE O ZHODE

My ako výrobca vyhlasujeme na vlastnú zodpovednosť, že produkt popísaný v časti „Technické údaje“ spĺňa všetky príslušné nariadenia a smernice uvedené nižšie a že boli použité nasledujúce harmonizované normy.

### DEKLARACJA ZGODNOŚCI WE

Jako producent oświadczamy na naszą wyłączną odpowiedzialność, że produkt opisany w punkcie „Dane techniczne” odpowiada wszystkim poniższym istotnym rozporządzeniom oraz dyrektywom, a także iż zastosowano poniższe zharmonizowane normy.

### EK-MEGFELELŐSÉGI NYILATKOZAT

Gyártóként egyedüli felelősséggel kijelentjük, hogy a „Műszaki Adatok” alatt leírt termék megfelel a következőkben felsorolt minden releváns rendeletnek és irányelvnek, és hogy a következők harmonizált szabványok kerültek használatra.

### ES-IZJAVA O SKLADNOSTI

Mi kao proizvođač izjavljujemo na osobnu odgovornost, da je proizvod, opisan pod "Tehnički podaci", skladan sa svim relevantnim propisima i u nastavku navedenim smjernicama i harmoniziranim normativima dokumentata.

### IZJAVA O SUKLADNOSTI

Mi kao proizvođač izjavljujemo na osobnu odgovornost, da proizvod opisan pod "Tehnički podaci", ispunjava sve u nastavku navedene relevantne odredbe i smjernice i da su sljedeće harmonizirane norme bile primijenjene.

### EK ATBILSTĪBAS DEKLARĀCIJA

Mēs kā ražotājs un vienīgā atbildīgā persona apliecinām, ka "Tehniskajos datos" raksturotais produkts atbilst visiem attiecīgajiem noteikumiem un vadlīnijām, kas uzskaitītas turpmāk, un ka ir izmantoti šādi saskaņotie standarti.

### EB ATTIKTIKĪES DEKLARĀCIJA

Gamintojo vardu atsakingai pareiškiame, kad gaminys, aprašytas skyriuje „Techniniai duomenys“, atitinka visus toliau išvardytų susijusių reglamentų, direktyvų ir darniųjų standartų taikomus reikalavimus.

### EÜ VASTAVUSDEKLARATSIOON

Kinnitame tootjana ainuisikuliselt vastutades, et jaotises „Tehnilised andmed“ kirjeldatud toode on kooskõlas alpool nimetatud direktiivide asjaomaste eeskirjade ja ühtlustatud normdokumentidega ning et on kasutatud järgmisi ühtlustatud standardeid.

### ДЕКЛАРАЦИЯ СООТВЕТСТВИЯ ЕС

Мы как производитель под собственную ответственность заявляем о том, что описанное в разделе «Технические характеристики» изделие отвечает всем нижеперечисленным соответствующим предписаниям и директивам и что в отношении него применяются следующие гармонизированные стандарты.

### DEKLARACIJA ZA СЪОТВЕТСТВИЕ НА ЕО

В качеството си на производител декларираме на собствена отговорност, че продуктът, описан в „Технически данни“, отговаря на всички изброени по-нататък приложими регламенти и директиви и че са използвани посочените хармонизирани стандарти.

### DECLARAȚIE DE CONFORMITATE CE

În calitate de producător declarăm pe propria răspundere că produsul descris la "Date tehnice" este în concordanță cu toate regulamentele și directivele relevante de mai jos și că au fost utilizate următoarele norme armonizate.

### EK-DEKLARACIJA ZA SOBRAZNOST

Kako proizvođač, izjavjuvamo pod celopisna odgovornost deka proizvod opisan vo „Tehnički podatci“ podolou e vo soglasnost so site relevantni odredbi i regulativi navedeni podolou i deka se koristeni slednive usoglaseni standardi.

### ДЕКЛАРАЦИЯ ЕС ПРО ВІДПОВІДНІСТЬ

Як виробник, ми заявляємо на власну відповідальність, що виріб, описаний у розділі "Технічних даних", відповідає всім застосовним положенням директив і приписам перерахованим нижче, і що щодо нього були використані наступні гармонізовані стандарти.

إقرار المطابقة وفقاً للمواصفات الاتحاد الأوروبي بموجب هذا نقر نحن كشركة منتجة وعلى مسؤوليتنا المنفردة، أن المنتج الموصوف تحت "البيانات الفنية" يطابق جميع الأوامر والتوجيهات الهامة المذكورة فيما يلي وقد جرى فيها استخدام معايير التوافق التالية.

2011/65/EU (RoHS)

2006/42/EC

2014/53/EU

EN 60745-1:2009+A11:2010

EN 60745-2-3:2011+A2:2013+A11:2014+A12:2014+A13:2015

EN IEC 55014-1:2021

EN IEC 55014-2:2021

EN 301 489-1 V2.2.3

EN 301 489-17 V3.2.4

EN 300 328 V2.2.2

EN 62479:2010

EN IEC 63000:2018

Winnenden, 2021-11-04

Alexander Krug  
Managing Director



Authorized to compile the technical file

Bevollmächtigt die technischen Unterlagen zusammenzustellen.

Autorisé à compiler la documentation technique.

Autorizzato alla preparazione della documentazione tecnica

Autorizado para la redacción de los documentos técnicos.

Autorizada a reunir a documentação técnica.

Gemachtigd voor samenstelling van de technische documenten

Autoriseret til at udarbejde de tekniske dokumenter.

Autorisert til å utarbeide den tekniske dokumentasjonen

Befullmäktigad att sammanställa teknisk dokumentation.

Valtuutettu kokoamaan tekniset dokumentit.

Εξουσιοδοτημένος να συντάξει τον τεχνικό φάκελο.

Teknik evrakları hazırlamakla görevlendirilmiştir.

Zplnomocněn k sestavování technických podkladů.

Spĺnomocnený zostaviť technické podklady.

Uprawnomocniony do zestawienia danych technicznych

Műszaki dokumentáció összeállításra felhatalmazva

Pooblaščen za izdelavo spisov tehnične dokumentacije.

Ovlašten za formiranje tehničke dokumentacije.

Pilnvarotais tehniskās dokumentācijas sastādīšanā.

Igaliotas parengti techninius dokumentus.

On volitatud koostama tehnilist dokumentatsiooni.

Уполномочен на составление технической документации.

Упълномощен за съставяне на техническата документация

İmpuțernicit să elaboreze documentația tehnică.

Ополномоштен за составување на техниката документација.

Уповноважений із складання технічної документації.

معتمدة للمطابقة مع الملف الفني

Techtronic Industries GmbH  
Max-Eyth-Straße 10  
71364 Winnenden  
Germany

### GB-DECLARATION OF CONFORMITY

We declare as the manufacturer under our sole responsibility that the product described under "Technical Data" fulfills all the listed below relevant regulations and that the following designated standards have been used.

S.I. 2012/3032 (as amended)

S.I. 2008/1597 (as amended)

S.I. 2017/1206 (as amended)

BS EN 60745-1:2009+A11:2010

BS EN 60745-2-3:2011+A13:2015

BS EN IEC 55014-1:2021

BS EN IEC 55014-2:2021

EN 301 489-1 V2.2.3

EN 301 489-17 V3.2.4

EN 300 328 V2.2.2

BS EN 62479:2010

BS EN IEC 63000:2018

Winnenden, 2021-11-04

Alexander Krug  
Managing Director

Techtronic Industries GmbH  
Max-Eyth-Straße 10  
71364 Winnenden  
Germany

Authorized to compile the technical file:

Techtronic Industries (UK) Ltd  
Parkway  
Marlow SL7 1YL  
UK

Copyright 2021  
Techtronic Industries GmbH  
Max-Eyth-Straße 10  
71364 Winnenden  
Germany  
+49 (0) 7195-12-0  
[www.milwaukeeetool.eu](http://www.milwaukeeetool.eu)

Techtronic Industries (UK) Ltd  
Parkway  
Marlow, SL7 1YL  
UK

(12.21)  
**4931 4256 27**