

CHAMPION

GLOBAL POWER EQUIPMENT

TM-MC

OWNER'S MANUAL & OPERATING INSTRUCTIONS

Frame Type

PORTABLE GENERATOR

ENGLISH

SVENSKA

DEUTSCH



NORSK

SUOMEN KIELI

This manual covers the following models:

CPG2500 (EU/SC) / CPG3500 (EU/SC)

CPG4000 E1 (EU/SC)

CPG6500 E2 (EU/SC) / CPG 9000 E2 (EU/SC)

SAVE THESE INSTRUCTIONS

Important Safety Instructions
are included in this manual.

INTRODUCTION

Introduction

Congratulations on purchasing your generator. Please follow these instructions and maintain it correctly.

Portable Power Generator

This unit is a petrol engine driven AC generator used for supply electrical power.

Accessories

CPE manufactures and supplies a series of accessories. See local dealer for more information.

This Booklet

We reserve the right to change, alter or improve the product and this manual without prior notice.

Record the model and serial numbers as well as date and place of purchase for future reference. Have this information available when ordering parts and when making technical or warranty inquiries.

Champion Power Equipment Support	
Model Number	
Serial Number	
Date of Purchase	
Purchase Location	
For Oil Type see 'Add Engine Oil' section. For Fuel Type see 'Add Fuel' section.	

Please familiarize yourself with the following symbols. The safety symbol and key words are safety warnings. Follow all safety messages to avoid accidents or injury.

DANGER

DANGER indicates an imminently hazardous situation which, if not avoided, **will** result in death or serious injury.

WARNING

WARNING indicates a potentially hazardous situation which, if not avoided, **could** result in death or serious injury.

CAUTION

CAUTION indicates a potentially hazardous situation which, if not avoided, **may** result in minor or moderate injury.

CAUTION

CAUTION used without the safety alert symbol indicates a potentially hazardous situation which, if not avoided, **may** result in property damage.

NOTE

If you have questions regarding your generator, we can help. Please contact your local dealer.

SAFETY RULES

WARNING

Read this manual thoroughly before operating your generator. Failure to follow instructions could result in serious injury or death.

WARNING

The engine exhaust from this product contains chemicals that are known to cause serious health problems and even death.

DANGER

Generator exhaust contains carbon monoxide, a colorless, odorless, poison gas. Breathing carbon monoxide will cause nausea, dizziness, fainting or death. If you start to feel dizzy or weak, get to fresh air immediately.

Operate generator outdoors only in a well ventilated area.

DO NOT operate the generator inside any building, including garages, basements, crawlspaces and sheds, enclosure or compartment, including the generator compartment of a recreational vehicle. DO NOT allow exhaust fumes to enter a confined area through windows, doors, vents or other openings.

DANGER CARBON MONOXIDE: using a generator indoors **CAN KILL YOU IN MINUTES.**

DANGER

Rotating parts can entangle hands, feet, hair, clothing and/or accessories.
Traumatic amputation or severe laceration can result.

Keep hands and feet away from rotating parts.
Tie up long hair and remove jewelry.
Operate equipment with guards in place.
DO NOT wear loose-fitting clothing, dangling drawstrings or items that could become caught.

DANGER

Generator produces powerful voltage.

DO NOT touch bare wires or receptacles.
DO NOT use electrical cords that are worn, damaged or frayed.

DO NOT operate generator in wet weather.
DO NOT allow children or unqualified persons to operate or service the generator

Use a ground fault circuit interrupter (GFCI) in damp areas and areas containing conductive material such as metal decking.

Use approved transfer equipment to isolate generator from your electric utility and Notify your utility company before connecting your generator to your power system.

WARNING

Sparks can result in fire or electrical shock.

When servicing the generator:

Disconnect the spark plug wire and place it where it cannot contact the plug.

DO NOT check for spark with the plug removed.

Use only approved spark plug testers.

WARNING

Running engines produce heat. Severe burns can occur on contact.

Combustible material can catch fire on contact.

DO NOT touch hot surfaces.

Avoid contact with hot exhaust gases.

Allow equipment to cool before touching.

Maintain at least 3 ft. (91.4 cm) of clearance on all sides to ensure adequate cooling.

Maintain at least 5 ft. (1.5 m) of clearance from combustible materials.

WARNING

Medical and Life Support Uses.

In an emergency, call emergency services immediately.

NEVER use this product to power life support devices or life support appliances.

NEVER use this product to power medical devices or medical appliances.

Inform your electricity provider immediately if you or anyone in your household depends on electrical equipment to live.

Inform your electrical provider immediately if a loss of power would cause you or anyone in your household to experience a medical emergency.

DANGER

Fuel and fuel vapors are highly flammable and extremely explosive.
Fire or explosion can cause severe burns or death. Unintentional startup can result in entanglement, traumatic amputation or laceration.

When adding or removing fuel:

Turn the generator off and let it cool for at least two minutes before removing the fuel cap. Loosen the cap slowly to relieve pressure in the tank. Only fill or drain fuel outdoors in a well-ventilated area. DO NOT pump gas directly into the generator at the gas station. Use an approved container to transfer the fuel to the generator.
DO NOT overfill the fuel tank.
Always keep fuel away from sparks, open flames, pilot lights, heat and other sources of ignition.
DO NOT light or smoke cigarettes.

When starting the generator:

DO NOT attempt to start a damaged generator. Make certain that the gas cap, air filter, spark plug, fuel lines and exhaust system are properly in place. Allow spilled fuel to evaporate fully before attempting to start the engine. Make certain that the generator is resting firmly on level ground.

When operating the generator:

DO NOT move or tip the generator during operation. DO NOT tip the generator or allow fuel or oil to spill.

When transporting or servicing the generator:

Make certain that the fuel shutoff valve is in the off position and the fuel tank is empty. Disconnect the spark plug wire.

When storing the generator:

Store away from sparks, open flames, pilot lights, heat and other sources of ignition.

WARNING

Operation of this equipment may create sparks that can start fires around dry vegetation.

A spark arrestor may be required. The operator should contact local fire agencies for laws or regulations relating to fire prevention requirements.

WARNING

Rapid retraction of the starter cord will pull hand and arm towards the engine faster than you can let go. Unintentional startup can result in serious injury. Broken bones, fractures, bruises or sprains could result.

When starting engine, pull the starter cord slowly until resistance is felt and then pull rapidly to avoid kickback.
DO NOT start or stop the engine with electrical devices plugged in.

CAUTION

Exceeding the generator's running capacity can damage the generator and/or electrical devices connected to it.

DO NOT overload the generator. Start the generator and allow the engine to stabilize before connecting electrical loads. Connect electrical equipment in the off position, and then turn them on for operation. Turn electrical equipment off before stopping the generator.
DO NOT tamper with the governed speed.
DO NOT modify the generator in any way.

CAUTION

Improper treatment or use of the generator can damage it, shorten its life and void your warranty.

Use the generator only for intended uses. Operate only on level surfaces. DO NOT expose generator to excessive moisture, dust, or dirt. DO NOT allow any material to block the cooling slots. If connected devices overheat, turn them off and disconnect them from the generator. DO NOT use the generator if:

- Electrical output is lost
- Equipment sparks, smokes or emits flames
- Equipment vibrates excessively

EN

ASSEMBLY

Your generator requires some assembly. This unit ships from our factory without oil. It must be properly serviced with fuel and oil before operation.

If you have any questions regarding the assembly of your generator, contact your local dealer. Please have your serial number and model number available.

Remove the Generator from the Shipping Carton

1. Set the shipping carton on a solid, flat surface.
2. Remove everything from the carton except the generator.
3. Carefully cut each corner of the box from top to bottom. Fold each side flat on the ground to provide a surface area to install the wheel kit and support leg.

Install the Wheel Kit (Optional Extra)

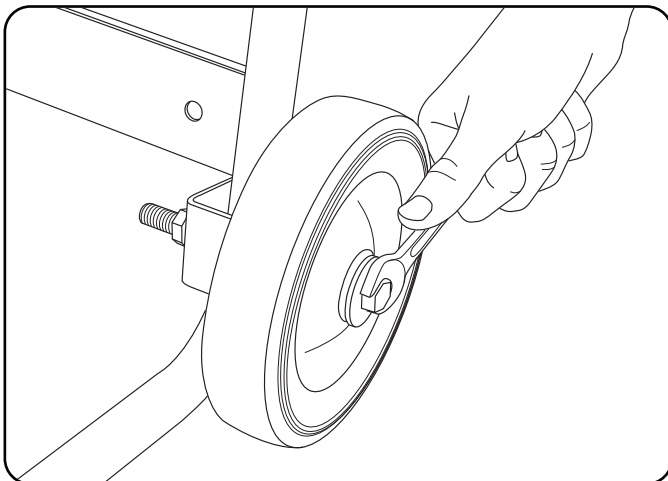
! CAUTION

The wheel kit is not intended for over-the-road use.

You will need the following tools to install the wheels:

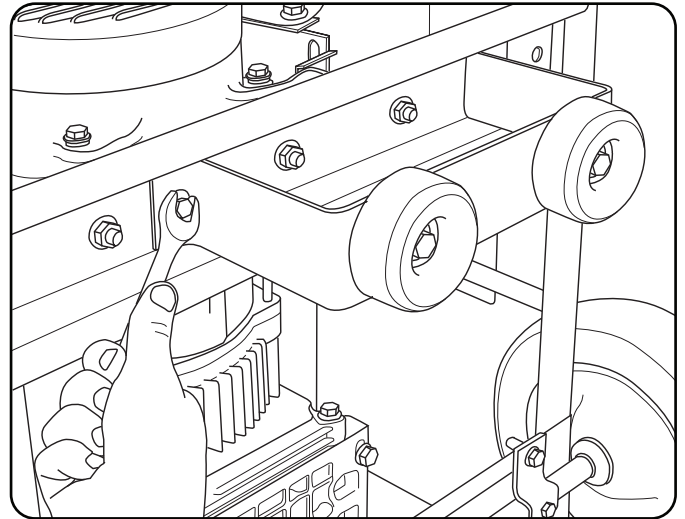
- 17 mm wrench OR adjustable wrench (not included)
- Socket wrench with a 16 mm socket (not included)
- Pliers (not included)

1. Before adding fuel and oil, tip the generator on its side.
2. Slide the M10x120 flange bolt through the washer, sleeve and wheel.
3. Slide the bolt through the mount point on the frame.
4. Fasten securely with the M10 lock nut.
5. Repeat steps 2-4 to attach the second wheel.



Install the Support Leg

1. Attach the vibration mounts to the support leg with a flange bolt M8 x 25 and flange lock nuts.
2. Attach the support leg to the generator frame with flange bolts M8 x 16 and flange lock nuts and fasten securely. DO NOT over tighten the lock nuts.
3. Tip the generator slowly so that it rests on the wheels and support leg.



Connect the Battery (Electric Start Models only)

1. Remove the protective cover from the red (+) lead on the battery.
2. Attach the red (+) lead to the red (+) terminal on the battery with the cap screw (M5x10) and secure with the lock washer (M5).
3. Repeat steps 1-2 for the black (-) battery lead.

Add Engine Oil

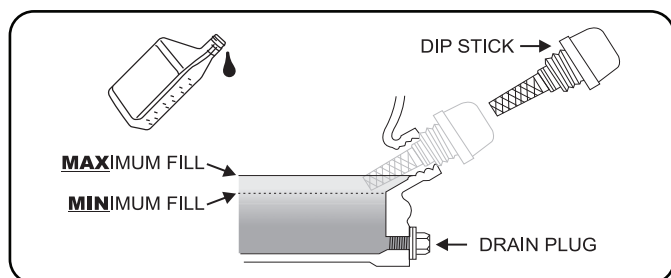
CAUTION

DO NOT attempt to crank or start the engine before it has been properly filled with the recommended type and amount of oil. Damage to the generator as a result of failure to follow these instructions will void your warranty.

NOTE

The recommended oil type is 10W-30 automotive oil.

1. Place the generator on a flat, level surface.
2. Remove oil fill cap/dipstick to add oil.
3. Add oil and replace oil fill cap/dipstick. DO NOT OVERFILL.
4. Check engine oil level daily and add as needed.



NOTE

Once oil has been added, a visual check should show oil about 1-2 threads from running out of the fill hole. If using the dipstick to check oil level, DO NOT screw in the dipstick while checking.

CAUTION

The engine is equipped with a low oil shut-off and will stop when the oil level in the crankcase falls below the threshold level.

Add Engine Oil Cont'd.

NOTE

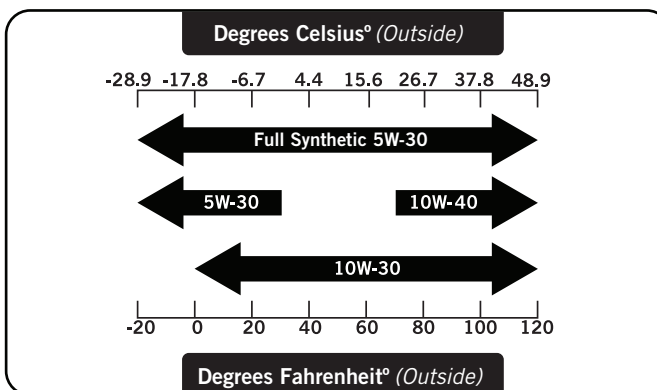
Check oil often during the break-in period. Refer to the Maintenance section for recommended service intervals.

NOTE

The generator rotor has a sealed, pre-lubricated ball bearing that requires no additional lubrication for the life of the bearing.

NOTE

We consider the first 5 hours of run time to be the break-in period for the unit. During the break in period stay at or below 50% of the running watt rating and vary the load occasionally to allow stator windings to heat and cool. Adjusting the load will also cause engine speed to vary and help seat piston rings. After the 5 hour break-in period, change the oil.



NOTE

Weather will affect engine oil and engine performance. Change the type of engine oil used based on weather conditions to suit the engine needs.

NOTE

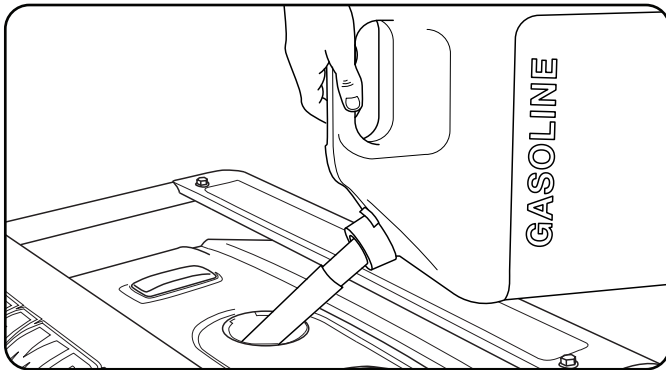
Synthetic oil may be used after the 5 hour initial break-in period. Using synthetic oil does not increase the recommended oil change interval. Full synthetic 5W-30 oil will aid in starting in cold ambient <math>< 5^{\circ}\text{C}</math> (41°F)

EN

ASSEMBLY

Add Fuel

1. Use clean, fresh, regular unleaded fuel with a minimum octane rating of 85 and an ethanol content of less than 10% by volume.
2. DO NOT mix oil with fuel.
3. Clean the area around the fuel cap.
4. Remove the fuel cap.
5. Slowly add fuel to the tank. DO NOT OVERFILL. Fuel can expand after filling. A minimum of ¼ in. (6.4 mm) of space left in the tank is required for fuel expansion, more than ¼ in. (6.4 mm) is recommended. Fuel can be forced out of the tank as a result of expansion if it is overfilled, and can affect the stable running condition of the product. When filling the tank, it is recommended to leave enough space for the fuel to expand.



6. Screw on the fuel cap and wipe away any spilled fuel.

⚠ CAUTION

Use regular unleaded gasoline with a minimum octane rating of 85.

Do not mix oil and gasoline.
Fill tank to approximately ¼ in. (6.4 mm) below the top of the tank to allow for fuel expansion.
DO NOT pump gas directly into the generator at the gas station. Use an approved container to transfer the fuel to the generator.
DO NOT fill fuel tank indoors.
DO NOT fill fuel tank when the engine is running or hot.
DO NOT overfill the fuel tank.
DO NOT light cigarettes or smoke when filling the fuel tank.

⚠ WARNING

Pouring fuel too fast through the fuel screen may result in blow back of fuel at the operator while filling.

Add Fuel Cont'd.

NOTE

Our engines work well with 10% or less ethanol blend fuels. When using blended fuels there are some issues worth noting:

- Ethanol-gasoline blends can absorb more water than gasoline alone.
- These blends can eventually separate, leaving water or a watery goo in the tank, fuel valve and carburetor.
- With gravity-fed fuel supplies, this compromised fuel can be drawn into the carburetor and cause damage to the engine and/or potential hazards.
- There are only a few suppliers of fuel stabilizer that are formulated to work with ethanol blend fuels.
- Any damages or hazards caused by using improper fuel, improperly stored fuel, and/or improperly formulated stabilizers, are not covered by manufacture's warranty.

It is advisable to always shut off the fuel supply, run the engine to fuel starvation and drain the tank when the equipment is not in use for more than 30 days.

Grounding

Your generator must be properly connected to an appropriate ground to help prevent electric shock.

⚠ WARNING

Failure to properly ground the generator can result in electric shock.

A ground terminal connected to the frame of the generator has been provided on the power panel. For remote grounding, connect a length of heavy gauge (12 AWG minimum) copper wire between the generator ground terminal and a copper rod driven into the ground. We strongly recommend that you consult with a qualified electrician to ensure compliance with local electrical codes.

Generator Location

Never operate the generator inside any building! (See safety warnings section). In some areas generators must be registered with the local utility company. Generators used on construction sites may be subject to local rules and regulations. Keep on a flat, level surface. Generators must have at least 5 ft (1.5m) clearance from all combustible material. In addition they must have at least 3 ft (91.4cm) of clearance on all sides to allow for adequate cooling, maintenance and servicing. Generators should never be started or operated in an location that will not allow for adequate cooling of the generator and/or the muffler. Allow generators to cool before storage or transportation. Do not place the generator near any vents or intakes. Carefully consider wind and air currents when placing generator.

Failure to follow proper safety precautions may void manufacturer's warranty.

WARNING

Do not operate or store the generator in rain, snow, or wet weather.

Using a generator or electrical appliance in wet conditions, such as rain or snow, or near a pool or sprinkler system, or when your hands are wet, could result in electrocution.

WARNING

During operation the muffler and exhaust fumes produced will become hot. If adequate cooling and breathing space are not supplied, or if the generator is blocked or contained, temperatures can become extremely heated and may lead to fire.

Grounding

The generator system ground connects the frame to the ground terminals on the power panel. The system ground is connected to the AC neutral wire.

Surge Protection

CAUTION

Voltage fluctuation may impair the proper functioning of sensitive electronic equipment.

Electronic devices, including computers and many programmable appliances use components that are designed to operate within a narrow voltage range and may be affected by momentary voltage fluctuations. While there is no way to prevent voltage fluctuations, you can take steps to protect sensitive electronic equipment.

EN

1. *Install UL1449, CSA-listed, plug-in surge suppressors on the outlets feeding your sensitive equipment.* Surge suppressors come in single- or multi-outlet styles. They're designed to protect against virtually all short-duration voltage fluctuations.

Starting the Engine

1. Make certain the generator is on a flat, level surface.
2. Disconnect all electrical loads from the generator. Never start or stop the generator with electrical devices plugged in or turned on.
3. Turn the Fuel Valve to the "ON" position.
4. Move the choke lever to the "CHOKE" position.
5. Flip the ignition switch to the "ON" position.
6. For models that have an ELECTRIC START: Press and hold the ignition switch to the "START" position. Release as the engine begins to roll over. If the engine fails to start within five seconds, release the switch and wait at least ten seconds before attempting to start the engine again.
7. RECOIL START: Pull the starter cord slowly until resistance is felt and then pull rapidly
8. Do not over-choke. As soon as engine starts, move the choke lever to the "RUN" position.

OPERATION

Starting the Engine Cont'd.

NOTE

Keep choke lever in “Choke” position for only 1 pull of the recoil starter. After first pull, move choke lever to the “Run” position for up to the next 3 pulls of the recoil starter. Too much choke will cause the engine not to start.

NOTE

If the engine starts but does not run make certain that the generator is on a flat, level surface. The engine is equipped with a low oil sensor that will prevent the engine from running when the oil level falls below a critical threshold.

NOTE

When the battery switch is in the “ON” position, the switch will light up if the battery is sending out a charge. If the switch does not light up while in the “ON” position, check that the battery connection is still good.

NOTE

The supplied 12V 15AH battery does re-charge while the engine is running, but it is also recommended that the battery be fully charged at least once per month.

Connecting Electrical Loads

1. Let the engine stabilize and warm up for a few minutes after starting
2. Plug in and turn on the desired 120/240 Volt AC single phase, 50 Hz electrical loads.
 - DO NOT connect 3-phase loads to the generator.
 - DO NOT connect 60 Hz loads to the generator.
 - DO NOT overload the generator.

Connecting Electrical Loads Cont'd.

NOTE

Connecting a generator to your electric utility company's power lines or to another power source may be against the law. In addition this action, if done incorrectly, could damage your generator and appliances and could cause serious injury or even death to you or a utility worker who may be working on nearby power lines. If you plan to run a portable electric generator during an outage, please notify your electric utility company immediately and remember to plug your appliances directly into the generator. Do not plug the generator into any electric outlet in your home. Doing so could create a connection to the utility company power lines. You are responsible for ensuring that your generator's electricity does not feed back into the electric utility power lines. If the generator will be connected to a building electrical system, consult your local utility company or a qualified electrician. Connections must isolate generator power from utility power and must comply with all applicable laws and codes.

Stopping the Engine

1. Turn off and unplug all electrical loads. Never start or stop the generator with electrical devices plugged in or turned on.
2. Let the generator run at no-load for several minutes to stabilize internal temperatures of the engine and generator.
3. Turn the Fuel Valve to the “OFF” position.
4. Let the engine run until fuel starvation has stopped the engine. This usually takes a few minutes.
5. Press the Ignition Switch to the “OFF” position.

Important: Always ensure that the Fuel Valve and the Ignition Switch are in the “OFF” position when the engine is not in use.

NOTE

If the engine will not be used for a period of two (2) weeks or longer, please see the Storage section for proper engine and fuel storage.

Do Not Overload Generator

Capacity

Follow these simple steps to calculate the running and starting watts necessary for your purposes.

1. Select the electrical devices you plan on running at the same time.
2. Total the running watts of these items. This is the amount of power you need to keep your items running.
3. Identify the highest starting wattage of all devices identified in step 1. Add this number to the number calculated in step 2. Surge wattage is the extra burst of power needed to start some electric driven equipment. Following the steps listed under "Power Management" will guarantee that only one device will be starting at a time.

Power Management

Use the following formula to convert voltage and amperage to watts:

$$\text{Volts} \times \text{Amps} = \text{Watts}$$

To prolong the life of your generator and attached devices, follow these steps to add electrical load:

1. Start the generator with no electrical load attached
2. Allow the engine to run for several minutes to stabilize.
3. Plug in and turn on the first item. It is best to attach the item with the largest load first.
4. Allow the engine to stabilize.
5. Plug in and turn on the next item.
6. Allow the engine to stabilize.
7. Repeat steps 5-6 for each additional item.

NOTE

Never exceed the specified capacity when adding loads to the generator.

Operation at High Altitude

Be aware that engine efficiency can reduce and exhaust emissions increase when working at high altitude.

Other high altitude issues can include hard starting, increased fuel consumption and spark plug fouling.

This is a natural trend and cannot be altered by engine adjustment.

An Important Message About Temperature

Your Champion Power Equipment product is designed and rated for continuous operation at ambient temperatures up to 40°C (104°F). When your product is needed your product may be operated at temperatures ranging from -15°C (5°F) to 50°C (122°F) for short periods. If the product is exposed to temperatures outside this range during storage, it should be brought back within this range before operation. In any event, the product must always be operated outdoors, in a well-ventilated area and away from doors, windows and other vents.

MAINTENANCE AND STORAGE

The owner/operator is responsible for all periodic maintenance.

⚠ WARNING

Never operate a damaged or defective generator.

⚠ WARNING

Tampering with the factory set governor will void your warranty.

⚠ WARNING

Improper maintenance will void your warranty.

NOTE

Maintenance, replacement, or repair of emission control devices and systems may be performed by any non-road engine repair establishment or individual.

Complete all scheduled maintenance in a timely manner. Correct any issue before operating the generator.

Engine Maintenance

To prevent accidental starting, remove and ground spark plug wire before performing any service.

Oil

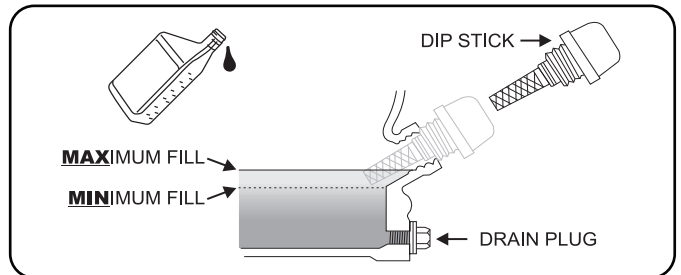
Change oil when the engine is warm. Refer to the oil specification to select the proper grade of oil for your operating environment.

1. Remove the oil drain plug with a 15 mm socket and extension (not included).
2. Allow the oil to drain completely.
3. Replace the drain plug.
4. Remove oil fill cap/dipstick to add oil.
5. Add oil and replace oil fill cap/dipstick. **DO NOT OVERFILL.**
6. Dispose of used oil at an approved waste management facility.

Oil Cont'd.

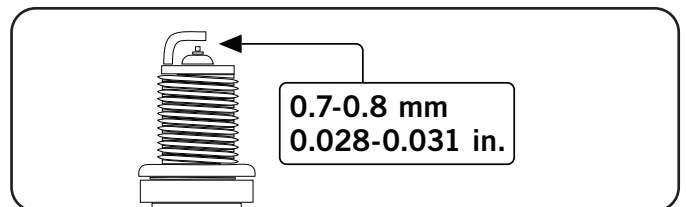
NOTE

Once oil has been added, a visual check should show oil about 1-2 threads from running out of the fill hole. If using the dipstick to check oil level, **DO NOT** screw in the dipstick while checking.



Spark Plugs

1. Remove the spark plug cable from the spark plug.
2. Remove the plug.
3. Inspect the electrode on the plug. It must be clean and not worn to produce the spark required for ignition.
4. Refer to spark plug information located in the "specification" page for this model.
5. Carefully thread the plug into the engine.
6. Use the spark plug tool (not included) to firmly install the plug.
7. Attach the spark plug wire to the plug.



OEM spark plug: NHSP F6RTC

Replacement spark plug: NGK BPR6ES or equivalent

Make certain the *spark plug gap is 0.7 - 0.8 mm or (0.028 - 0.031 in.).

Maintenance Valve Clearance

- Intake: 0.13 - 0.17 mm (0.005 - 0.007 in.)

- Exhaust: 0.18 - 0.22 mm (0.007 - 0.009 in.)

Note: Tech bulletin regarding the valve adjustment procedure is on www.championpowerequipment.com

Air Filter

1. Remove the snap-on cover holding the air filter to the assembly.
2. Remove the foam element.
3. Wash in liquid detergent and water. Squeeze thoroughly dry in a clean cloth.
4. Saturate in clean engine oil.
5. Squeeze in a clean, absorbent cloth to remove all excess oil.
6. Place the filter in the assembly.
7. Reattach the air filter cover and snap in place.

Spark Arrester

1. Allow the engine to cool completely before servicing the spark arrester.
2. Remove the screws holding the cover plate which retains the end of the spark arrester to the muffler.
3. Remove the spark arrester screen.
4. Carefully remove the carbon deposits from the spark arrester screen with a wire brush.
5. Replace the spark arrester if it is damaged.
6. Position the spark arrester in the muffler and attach with the three screws.

! CAUTION

Failure to clean the spark arrester will result in degraded engine performance.

NOTE

Federal and local laws and administrative requirements indicate when and where spark arresters are required.

Cleaning

! CAUTION

DO NOT spray engine with water.

Water can contaminate the fuel system.

Use a damp cloth to clean exterior surfaces of the engine.
Use a soft bristle brush to remove dirt and oil.
Use an air compressor (25 PSI) to clear dirt and debris from the engine.

Adjustments

The air-fuel mixture is not adjustable. Tampering with the governor can damage your generator and your electrical devices and will void your warranty. CPE recommends that you contact your local dealer for all other service and/or adjustment needs.

Maintenance Schedule

Follow the service intervals indicated in the following maintenance schedule.

Service your generator more frequently when operating in adverse conditions.

Every 8 hours or daily	
	Check oil level
	Clean around air intake and muffler
First 5 Hours	
	Change oil
Every 50 hours or every season	
	Clean air filter
	Change oil if operating under heavy load or in hot environments
Every 100 hours or every season	
	Change oil
	Clean/Adjust spark plug
	Check/Adjust valve clearance*
	Clean spark arrester
	Clean fuel tank and filter*
Every 250 hours	
	Clean combustion chamber*
Every 3 years	
	Replace fuel line

EN

*To be performed by knowledgeable, experienced owners or Champion Power Equipment certified dealers.

Generator Maintenance

Make certain that the generator is kept clean and stored properly. Only operate the unit on a flat, level surface in a clean, dry operating environment. DO NOT expose the unit to extreme conditions, excessive dust, dirt, moisture or corrosive vapors.

! CAUTION

DO NOT use a garden hose to clean the generator.

Water can enter the generator through the cooling slots and damage the generator windings.

Use a damp cloth to clean exterior surfaces of the generator.
Use a soft bristle brush to remove dirt and oil.
Use an air compressor (25 PSI) to clear dirt and debris from the generator.
Inspect all air vents and cooling slots to ensure that they are clean and unobstructed.

MAINTENANCE AND STORAGE

Storage

The generator should be started at least once every 14 days and allowed to run for at least 20 minutes. For longer term storage, please follow these guidelines.

Generator Storage

1. Add a properly formulated fuel stabilizer to the tank.
2. Be sure all appliances are disconnected from the generator.
3. Run the generator for a few minutes so the treated fuel cycles through the fuel system and carburetor.
4. Turn the fuel valve to the "Off" position.
5. Let the generator run until fuel starvation has stopped the engine. This usually takes a few minutes.
6. The generator needs to cool completely before cleaning and storage.
7. Clean the generator according to the maintenance section.
8. Change the oil.
9. Remove the spark plug and pour about 1/2 ounce (14.8 mL) of oil into the cylinder. Crank the engine slowly to distribute the oil and lubricate the cylinder.
10. Reattach the spark plug.
11. Store the unit in a clean, dry place out of direct sunlight.

Battery

Some frame type generators are equipped with an automatic battery charging circuit. The battery will receive charging voltage when the engine is running. The battery will maintain a proper charge if the unit is used on a regular basis (about once every two weeks). If it is used less frequently, the battery should be connected to a trickle charger or battery maintainer to keep the battery properly charged. If the battery is not able to start the engine, it can be started by manually pulling the engine recoil cord. If the battery voltage is extremely low, the charging circuit may not be able to re-charge the battery. In this case, the battery must be connected to a standard automotive style battery charger for re-charging before it can be used.

Charge the Battery

For generators equipped with batteries for electric starting, proper battery maintenance and storage should be followed. An automatic battery charger (not included) with automatic trickle charging capability should be used to charge the battery. Maximum charging rate should not exceed 1.5 amps. Follow the instructions included with the battery charger. The battery should be fully charged at least once per month.

NOTE

A Float Charger will maintain the battery condition over long storage periods.

Disconnect the Battery

1. Remove the protective cover from the black/negative battery lead.
2. Disconnect the black/negative lead from the black/negative terminal on the battery and store the cap screw and lock washer.
3. Repeat steps 1-2 for the red/positive battery lead.
4. Store the battery in a cool, dry place.

DANGER

Generator exhaust contains odorless and colorless carbon monoxide gas.

To avoid accidental or unintended ignition of your electric start generator during periods of storage, the following precautions should be followed:

- When storing the generator for short periods of time make sure that the Ignition Switch and the Fuel Valve are set in the OFF position.
- When storing the generator for extended periods of time make sure that the Ignition Switch and the Fuel Valve are set in the OFF position and the battery leads have been disconnected from the battery.

TROUBLESHOOTING

Problem	Cause	Solution
Generator will not start	No fuel	Add fuel
	Faulty spark plug	Replace spark plug
	Unit loaded during start up	Remove load from unit
Generator will not start; Generator starts but runs roughly	Low oil level	Fill crankcase to the proper level Place generator on a flat, level surface
	Choke in the wrong position.	Adjust choke.
	Spark plug wire loose	Attach wire to spark plug
Generator will not start electrically	Generator battery is dead	Recharge generator battery
Generator shuts down during operation	Out of fuel	Fill fuel tank
	Low oil level	Fill crankcase to the proper level. Place generator on a flat, level surface
Generator cannot supply enough power or overheating	Generator is overloaded	Review load and adjust. See "Power Management"
	Insufficient ventilation	Check for air restriction. Move to a well ventilated area
No AC output	Cable not properly connected	Check all connections
	Connected device is defective	Replace defective device
	Circuit breaker is open	Reset circuit breaker
	Faulty brush assembly	Replace brush assembly (Service Center)
	Faulty AVR (auto voltage regulator)	Replace AVR (Service Center)
	Loose wiring	Inspect and tighten wiring connections
	Other	Contact the help line.
Generator gallops	Engine governor defective	Contact the help line
Repeated circuit breaker tripping	Overload	Review load and adjust. See "Power Management"
	Faulty cords or device	Check for damaged, bare or frayed wires. Replace defective device

EN

INTRODUKTION

Introduktion

Grattis till att ha köpt denna generator. Vårda och ta hand om den korrekt.

Portabel strömgenerator

Denna enhet är en bensinmotordriven växelströmgenerator som används för att generera elektrisk ström.

Tillbehör

CPE tillverkar och tillhandahåller en mängd olika tillbehör. Se din lokala handlare för mer information.

Denna broschyr

Vi förbehåller oss rätten att ändra eller förbättra produkten eller denna manual utan vidare förvarning.

Notera modell- och serienummer samt datum och inköpsställe för framtida behov. Ha denna information tillgänglig vid beställning av reservdelar och vid tekniska eller garanti-förfrågningar.

Champion Power Equipment support
0046 31 280985
Modellnummer
Serienummer
Inköpsdatum
Inköpsplats
För oljetyp , se avsnittet "Fyll på olja". För bränsletyp , se avsnittet "Fyll på bränsle".

MANUALENS SYMBOLER

Vänligen gör dig bekant med följande symboler. Säkerhetssymbolen och nyckelorden är säkerhetsvarningar. Följ alla säkerhetsmeddelanden för att undvika olyckor eller personskador.

DANGER

FARA anger en omedelbart farlig situation som, om den inte undviks, **kommer att** leda till död eller allvarlig personskada.

WARNING

FARA anger en potentiellt farlig situation som, om den inte undviks, **kan** leda till död eller allvarlig personskada.

CAUTION

FARA anger en potentiellt farlig situation som, om den inte undviks, **kan** leda till mindre eller måttliga personskador.

CAUTION

VARNING utan symbolen för säkerhetsvarning anger en potentiellt farlig situation som, om den inte undviks, **kan** leda till skador på egendom.

NOTE

Om du har frågor om din generator kan vi hjälpa dig. Vänligen kontakta din lokala handlare.

SV

SÄKERHETSREGLER

WARNING

Läs denna manual noggrant innan du använder din generator. Att avvika från instruktionerna kan leda till allvarliga skador eller död.

WARNING

Avgaserna från den här produkten innehåller kemikalier som är dokumenterat skadliga för hälsan eller t.o.m. dödliga.

DANGER

Generatoravgaser innehåller kolmonoxid som är en färglös, doftfri, giftig gas. Att andas in kolmonoxid kommer att orsaka illamående, yrsel, svimning eller död. Om du börjar känna dig yr eller svag, se till att få frisk luft omedelbart.

Använd generatoren utomhus och på en väl ventilerad plats.

ANVÄND INTE generatoren inomhus. Detta inkluderar garage, källare, kryputrymmen, förråd, inhägnader eller avdelningar samt generatorutrymmen i husbilar eller husvagnar. LÅT INTE avgasångor tränga in i stängda utrymmen genom fönster, dörrar, ventiler eller andra öppningar.

KOLMONOXIDVARNING: att använda en generator inomhus **KAN DÖDA DIG PÅ ETT PAR MINUTER.**

DANGER

Roterande delar kan trassla in händer, fötter, hår, kläder och/eller accessoarer. Traumatiska amputationer eller allvarliga skärsår kan uppstå.

Se till att hålla händer och fötter borta från roterande delar.

Sätt upp långt hår och ta bort smycken.

Använd utrustning med skydd på plats.

ANVÄND INTE löst sittande kläder, hängande snören eller andra saker som kan fastna eller ryckas in.

DANGER

Generatoren producerar kraftfull spänning.

RÖR INTE nakna sladdar eller kärl.

ANVÄND INTE elektriska sladdar som är slitna, skadade eller trasiga.

ANVÄND INTE generatoren i vått väder.

TILLÅT INTE barn eller okvalificerade personer att hantera eller genomföra underhåll på generatoren.

Använd en säkerhetsbrytare på fuktiga ställen eller på ställen med strömförande material såsom metallunderlag.

Använd godkänd överföringsutrustning för att isolera generatoren från dina elektriska verktyg och meddela ditt elbolag innan du ansluter din generator till elnätet.

WARNING

Gnistor kan resultera i brand eller elektriska stötar.

Vid underhåll av generatoren:

Koppla ifrån sladden till tändstiftet och placera den så att den inte kan komma i kontakt med tändstiftet. Undersök INTE om det bildas gnistor när tändstiftet är borttaget.

Använd endast godkända testare av tändstift.

WARNING

Att köra motorer som producerar hetta. Allvarliga skador kan uppstå vid kontakt. Brännbart material kan fatta eld vid kontakt.

RÖR INTE heta ytor.

Undvik kontakt med heta avgaser.

Låt utrustning svalna av innan den vidrörs.

Se till att hålla ett avstånd på minst 1 meter (ca 3 ft.) på alla sidor för att säkerställa tillräcklig avkylning.

Se till att hålla ett avstånd på minst 1,5 meter (ca 5 ft.) från brännbart material.

WARNING

Medicinsk och livsuppehållande användning.

Kontakta larmassistans omedelbart i händelse av en olycka.

ANVÄND ALDRIG den här produkten för att driva livsuppehållande enheter eller apparater.

ANVÄND ALDRIG den här produkten för att driva medicinska enheter eller apparater.

Informera din elleverantör omedelbart om någon i ditt hushåll är beroende av elektrisk utrustning för att överleva.

Informera din elleverantör omedelbart om någon i ditt hushåll skulle uppleva en medicinsk kris utan tillgänglig elektricitet.

DANGER

Bränsle och bränsleångor är mycket brandfarliga och extremt explosiva.
Brand eller explosion kan orsaka allvarliga brännskador eller död.
Oavsiktlig start kan resultera i intrassling, traumatisk amputation eller skärsår.

Vid påfyllning eller tömning av bränsle:

Stäng av generatoren och låt den svalna i minst två minuter innan du tar bort locket till bränslet. Lossa försiktigt på locket för att släppa ut trycket ur tanken.

Fyll eller töm endast utomhus på en väl ventilerad plats.

PUMPA INTE bensin direkt in i generatoren på bensinstationen. Använd en godkänd behållare för att fylla på bränslet i generatoren.

ÖVERFYLL INTE bränsletanken.

Se alltid till att hålla bränsle borta från gnistor, öppen eld, glöd, hetta eller andra antändningskällor.

TÄND INTE eller rök cigaretter.

Vid start av generatoren:

Försök ALDRIG att starta en skadad generator. Se till att bensinlock, luftfilter, tändstift, bränsleslangar och avgassystem sitter ordentligt på plats.

Låt utspilt bränsle att dunsta bort ordentligt innan du försöker starta motorn.

Se till att generatoren står stadigt på platt mark.

Vid användning av generatoren:

FLYTТА eller TIPPA INTE generatoren under användning.

TIPPA INTE generatoren eller låt bränsle eller olja att spillas ut.

Vid transport eller underhåll av generatoren:

Se till att bränslets avstängningsventil är stängd och att bränsletanken är tom.

Koppla ifrån sladden till tändstiftet.

Vid förvaring av generatoren:

Förvara borta från gnistor, öppen eld, glöd, hetta eller andra antändningskällor.

WARNING

Användning av den här utrustningen kan generera gnistor som kan starta brand i torr vegetation.

Ett gnistskydd kan krävas. Användaren bör kontakta den lokala brandskyddsmyndigheten beträffande gällande brandskyddsbestämmelser.

WARNING

Den snabba rekylen av startsnöret kan slita med sig hand och arm mot motorn snabbare än du hinner släppa taget.

Oavsiktlig start kan resultera i allvarliga personskador.

Brutna ben, frakturer, blåmärken eller stukningar kan bli resultatet.

När du ska starta motorn, dra startsnöret långsamt tills du känner motstånd och dra då snabbt för att undvika rekyl.

STARTA eller STANNA INTE motorn med några elektriska enheter anslutna.

CAUTION

Att överstiga generators driftkapacitet kan skada generatoren och/eller de elektriska enheter som är kopplade till den.

ÖVERBELASTA INTE generatoren.

Starta generatoren och låt motorn stabiliseras innan du ansluter någon elektrisk belastning.

Anslut elektrisk utrustning när den är avstängd och sätt sedan på den efter anslutning.

Stäng av elektrisk utrustning innan du stänger av generatoren.

MIXTRA INTE med den reglerade hastigheten.

MODIFIERA INTE generatoren på något vis.

CAUTION

Olämplig hantering eller användning av din generator kan skada den, förkorta dess livslängd och göra garantin ogiltig.

Använd endast generatoren på avsett sätt.

Använd endast på jämn, platt mark.

UTSÄTT INTE generatoren för överdriven fukt, damm eller smuts.

LÅT INTE något material blockera ventilationsöppningarna.

Om anslutna enheter överhettas ska de stängas av och kopplas bort från generatoren.

ANVÄND INTE generatoren om:

- Den inte alstrar någon elektricitet
- Utrustningen ger gnistor, rök eller eld
- Utrustningen vibrerar överdrivet

MONTERING

Din generator kräver en viss montering. Denna enhet levereras från vår fabrik utan olja. Den måste underhållas ordentligt med bränsle och olja innan den används.

Om du har några frågor om monteringen av din generator, vänligen kontakta din lokala handlare. Vänligen se till att ha ditt serienummer och modellnummer till hands.

Ta bort generatoren från leveransförpackningen.

1. Placera leveransförpackningen på en stabil platt yta.
2. Ta bort allting från kartongen förutom generatoren.
3. Skär försiktigt upp varje hörn på lådan från topp till botten. Vik ner varje sida platt på marken för att få en yta att kunna installera hjulutrustningen och stödbenet.

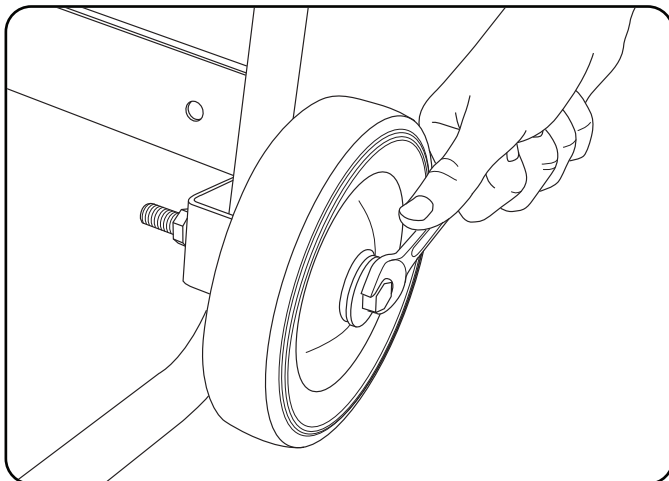
Installera hjulutrustningen (extra tillval)

! CAUTION

Hjulutrustningen är inte avsedd för vägtrafik.

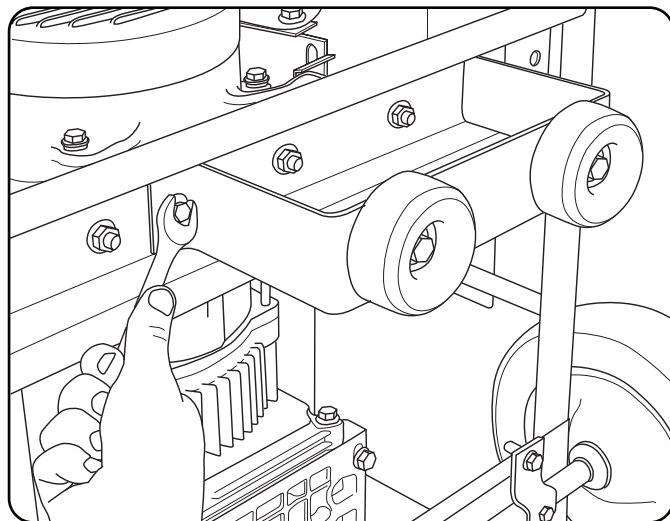
Du kommer att behöva följande verktyg för att installera hjulen:

- 17 mm skruvnyckel ELLER skiftnyckel (ingår inte)
 - Hylsnyckel med 16 mm hylsa (ingår inte)
 - Tång (ingår inte)
1. Innan du fyller på bränsle eller olja, tippa generatoren på sidan.
 2. För in M10x120-flänsbulten genom bricka, bussning och hjul.
 3. För in bulten genom monteringspunkten på ramen.
 4. Fäst ordentligt med M10-låsbulten.
 5. Upprepa steg 2-4 för att fästa det andra hjulet.



Installera stödbenet

1. Fäst vibrationsfästena på stödbenet med flänsbultar M8 x 25 och flänslåsmuttrar.
2. Fäst stödbenet på generatorramen med flänsbultar M8 x 16 och flänslåsmuttrar och dra åt ordentligt. DRA INTE åt låsmuttrarna för hårt.
3. Tippa generatoren försiktigt så att den vilar på hjulen och stödbenet.



Anslut batteriet (endast elektriska startmodeller)

1. Ta bort det skyddande höljet från den röda pluspoolen (+) på batteriet.
2. Fäst den röda pluspoolen (+) på den röda plusterterminalen (+) med lockskruven (M5x10) och säkra med låsbrickan (M5).
3. Upprepa steg 1-2 för den svarta minuspoolen (-).

Fyll på motorolja.

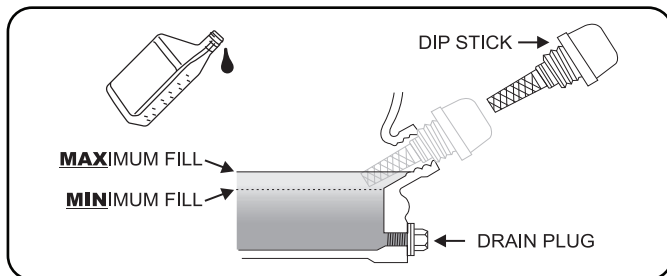
! CAUTION

FÖRSÖK INTE starta eller dra igång motorn innan den har fyllts på ordentligt med rekommenderad mängd och typ av olja. Skador på generatoren till följd av att dessa instruktioner inte har följts gör garantin ogiltig.

NOTE

Den rekommenderade oljetypen är 10W-30 motorolja. Under de fem första timmarna bör mineralolja användas. Efter första oljebytet går det bra att använda syntetisk olja.

1. Placera generatoren på en platt jämn yta.
2. Ta bort oljelocket och oljestickan för att fylla på olja.
3. Fyll på olja och återställ oljestickan och oljelocket. ÖVERFYLL INTE.
4. Kontrollera oljenivåerna dagligen och fyll på vid behov.



NOTE

När oljan har fyllts på bör en avsyning visa olja upp till ca. 1-2 gånger från att rinna ut ur påfyllningshålet. Om du använder en oljesticka för att kontrollera oljan ska du INTE skruva fast oljestickan när du gör kontrollen.

CAUTION

Motorn är utrustad med en lågnivåavstängning och kommer att stanna när oljenivån i växellådan kommer under gränsnivån.

Fyll på motolja, forts.

NOTE

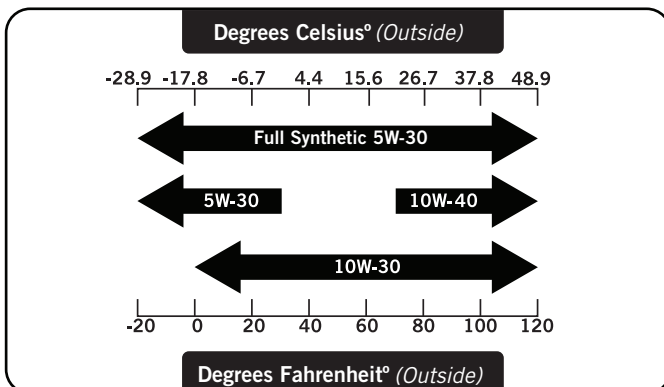
Kontrollera oljan ofta under inkörningsperioden. Se avsnittet om underhåll för rekommenderat underhållsintervall.

NOTE

Generators rotor har ett förseglat, smörjt kullager som inte kräver någon ytterligare smörjning under kullagrets hela livslängd.

NOTE

Vi anser att de första fem körtimmarna är inkörningsperiod för enheten. Kör på eller under 50% av wattbelastningen under inkörningsperioden och variera belastningen då och då för att låta statorspiralerna hettas upp och svalna av. Att justera belastningen kommer också att låta motorhastigheten att variera, vilket hjälper kolringarna att sätta sig. Efter de första 5 timmarnas inkörningsperiod, byt oljan.



NOTE

Vädret kommer att påverka motoroljan och dess funktion. Byt oljetyp för att anpassa till rådande väderlek och för att passa motorns behov.

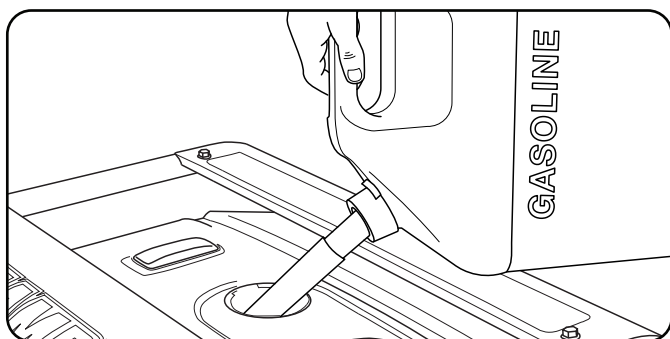
NOTE

Syntetisk olja får användas efter de första 5 timmarnas inkörningsperiod. Använd av syntetisk olja förlänger inte det rekommenderade intervallet för byte av olja. Helt syntetisk 5W-30-olja underlättar start i kall omgivning <math>< 5^{\circ}\text{C}</math> (41°F).

MONTERING

Fyll på bränsle

1. Använd rent, nytt, standard oblyat bränsle med en lägsta oktanhalt på 85 och en etanolhalt på mindre än 10 % per volym. Vanlig bilbensin går alldeles utmärkt men alkylatbensin rekommenderas.
2. BLANDA INTE olja och bränsle.
3. Rengör området runt bränslelocket.
4. Skruva av bränslelocket.
5. Fyll försiktigt på bränsle i tanken. ÖVERFYLL INTE. Bränsle kan expandera efter påfyllning. Ett minimum på 6,4 mm (¼ in.) av utrymme i tanken krävs för expansion och mer än 6,4 mm (¼ in.) rekommenderas. Bränsle kan tvingas ut ur tanke som en följd av expansion om det överfylls och det kan påverka en jämn drift av produkten. När tanken fylls på rekommenderas att lämna tillräckligt med utrymme för bränslet att expandera.



6. Skruva på bränslelocket och torka bort eventuellt spillt bränsle.

⚠ CAUTION

Använd vanlig oblyad bensin med en lägsta oktanhalt på 85.

Blanda inte olja och bensin.
Full upp tanken till ca. 6,4 mm (¼ in.) från tankens överdel för att tillåta att bränslet expanderar.
PUMPA INTE bensin direkt in i generatoren på bensinstationen. Använd en godkänd behållare för att fylla på bränslet i generatoren.
FYLL INTE på bränsletanken inomhus.
FYLL INTE på bränsletanken när motorn är igång eller mycket varm.
ÖVERFYLL INTE bränsletanken.
TÄND INTE cigaretter eller rök när du fyller på bränsletanken.

⚠ WARNING

Att fylla på bränslet för fort genom bränslesilen kan leda till att bränslet slår tillbaks på användaren under påfyllning.

Fyll på bränsle, forts.

NOTE

Våra motorer fungerar bra med 10 % eller mindre etanolblandat bränsle. Vid användning av bränsleblandningar är några saker värda att notera:

- Etanolbensinblandningar kan absorbera mer vatten än enbart bensin.
- Dessa blandningar kan eventuellt separera och lämna vatten eller en vattenliknande gegga i tanken, bränsleventilen och förgasaren
- Med en bränsleförsörjning som matas genom gravitation kan detta försämrade bränsle dras in i förgasaren och orsaka skada på motorn och/eller orsaka potentiell fara.
- Det finns endast ett fåtal leverantörer av bränslestabilisatorer som kan hantera etanolblandat bränsle.
- Alla skador eller faror som uppkommer genom användning av olämpligt bränsle, dåligt förvarat bränsle och/eller dåligt fungerande stabilisatorer täcks inte av tillverkarens garanti.

Det rekommenderas att stänga av bränsletillförseln och sedan köra motorn tills bränslet helt tar slut och helt tömma tanken om utrustningen har stått oanvänd i mer än 30 dagar.

Jordning

Din generator måste vara korrekt ansluten till lämplig jordning för att förhindra elektrisk chock.

⚠ WARNING

Om generatoren inte jordas ordentligt kan det leda till elektrisk chock.

En jordningsterminal som är ansluten till ramen på generatoren finns på strömpanelen. För fjärrjordning, anslut en kraftig koppartråd (12 AWG minimum) mellan generatorens jordningsterminal och en kopparstång som körs ner i marken. Vi rekommenderar starkt att du talar med en kvalificerad elektriker för att säkerställa att detta tillvägagångssätt följer gällande lokala elektriska standarder.

Placering av generatorn

Använd aldrig generatorn inomhus! (Se avsnittet om säkerhetsvarningar.) I vissa områden måste generatorer registreras hos det lokala elbolaget. Generatorer som används på byggplatser kan lyda under ytterligare lokala bestämmelser. Placera på en platt jämn yta. Generatorer måste ha minst 1,5 m (5 ft) fritt avstånd från allt brännbart material. Dessutom måste de ha minst 1 m (ca. 3 ft) fritt utrymme på alla sidor för att möjliggöra avkylning, underhåll och service. Generatorer bör aldrig startas eller användas på en plats som inte tillåter tillräcklig avkylning av generatorn och/eller ljuddämparen. Låt generatorer svalna innan de förvaras eller transporteras. Placera inte generatorn nära några ventiler eller luftintag. Undersök noggrant hur vind- och luftströmmar rör sig när du placerar generatorn.

Om korrekta säkerhetsåtgärder inte följs riskerar det att tillverkarens garanti blir ogiltig.

WARNING

Använd eller förvara inte generatorn i regn, snö eller våt väderlek.

Att använda en generator eller elektrisk apparat i våta omständigheter såsom regn och snö eller i närheten av en pool eller ett sprinklersystem eller när dina händer är våta kan leda till dödlig elektrisk chock.

WARNING

Under användning kommer ljuddämparen och avgaserna att bli heta. Om tillräcklig avkylning och luftutrymme inte finns eller om generatorn är blockerad eller instängd kan temperaturerna bli extremt höga och leda till brand.

Jordning

Generatorns jordningssystem ansluter ramen till jordterminalerna på strömpanelen. Jordningssystemet är anslutet till växelströmmens neutrala sladd.

Spänningskydd

CAUTION

Spänningsvariationer kan störa korrekt funktion hos känslig elektronisk utrustning.

Elektroniska enheter, inklusive datorer och många programmerbara apparater, använder komponenter som är utformade för att fungera inom ett begränsat spänningsomfång och de kan påverkas av tillfälliga variationer i spänningen. Trots att det inte finns något sätt att förhindra tillfälliga variationer i spänningen så finns det sätt att skydda känslig utrustning.

1. *Installera ett UL1449-godkänt (SS-EN 61643-11) överspänningsskydd på de uttag som förser din känsliga utrustning med ström.*

Överspänningsskydd finns som enkeluttag eller multiuttag. De är utformade för att skydda mot i princip alla kortvariga spänningsvariationer.

SV

Att starta motorn

1. Se till att generatorn är placerad på en platt jämn yta.
2. Koppla ifrån all elektrisk belastning från generatorn. Starta eller stanna aldrig generatorn med några elektriska enheter anslutna eller påslagna.
3. Vrid bränsleventilen till läge "ON".
4. Flytta choke-spaken till läge "CHOKE".
5. Vrid tändningen till läge "ON".
6. För modeller med elektrisk start: Tryck ner och håll tändningen i läge "START". Släpp tändningen så fort som motorn går igång. Om motorn inte startar inom fem sekunder, släpp tändningen och vänta i minst tio sekunder innan du försöker starta motorn på nytt.
7. START MED DRAGSNÖRE: Dra i startsnöret långsamt tills du känner motstånd och dra då snabbt.
8. Använd inte choken för mycket. Så fort som motorn startar, flytta choke-spaken till läge "RUN".

ANVÄNDNING

Att starta motorn, forts.

NOTE

Håll inne choke-spaken i läge "Choke" för endast ett drag med dragsnöret. Efter det första draget, flytta choke-spaken till läge "Run" för de följande tre dragen med dragsnöret. För mycket choke kommer att göra att motorn inte startar.

NOTE

Om motorn startar, men inte fortsätter att gå, se till att generatoren verkligen står på en platt jämn yta. Motorn är försedd med en sensor för låg oljenivå som förhindrar att motorn körs när oljenivån kommer under den kritiska nivån.

NOTE

När batteriomkopplaren är i läge "ON" så tänds reglaget om batteriet skickar ut en laddning. Kontrollera att batteriet fortfarande är korrekt anslutet om reglaget inte tänds när batteriomkopplaren är i läge "ON".

NOTE

Det bifogade 12V 15AH-batteriet laddas när motorn körs, men det rekommenderas också att batteriet laddas helt åtminstone en gång i månaden.

Att ansluta elektrisk belastning

1. Låt motorn stabiliseras och värmas upp i några minuter efter start.
2. Koppla in och starta de önskade 120/240 volts, AC enkelfas, 50 Hz elektriska belastningarna.
 - ANSLUT INTE trefas belastningar till generatoren.
 - ANSLUT INTE några trefas-belastningar till generatoren.
 - ÖVERBELASTA INTE generatoren.

Att ansluta elektrisk belastning, forts.

NOTE

Att ansluta en generator till ditt elnät eller till någon annan kraftkälla kan strida mot lagen. Förutom detta kan det, om det görs felaktigt, skada din generator och dina apparater och dessutom orsaka allvarlig skada eller t.o.m. död för dig eller eventuella elektriker eller andra som arbetar på närliggande kraftledningar. Om du tänker köra en portabel elektrisk generator under ett strömavbrott, vänligen meddela ditt elbolag omedelbart och kom ihåg att koppla in dina apparater direkt till generatoren. Koppla inte in generatoren i något uttag i ditt hem. Att göra detta kan skapa en koppling till elbolagets kraftledningar. Du är ansvarig att se till att din generators elektricitet inte kopplas tillbaks in i elbolagets kraftledningar. Om generatoren ska kopplas till en byggnads elektriska system ska du rådfråga ditt lokala elbolag eller en kvalificerad elektriker. Anslutningar måste isolera generatorkraften från kraften i elnätet och måste dessutom följa alla gällande lagar och regler.

Att stänga av motorn

1. Stäng av och koppla ur alla elektriska belastningar. Starta eller stanna aldrig generatoren med några elektriska enheter anslutna eller påslagna.
2. Låt generatoren köras utan belastning i några minuter för att stabilisera den interna temperaturen på motorn och generatoren.
3. Vrid bränsleventilen till läge "OFF".
4. Låt motorn köras tills bristen på bränsle stoppar motorn. Detta tar vanligtvis några minuter.
5. Vrid tändningen till läge "OFF".

Viktigt: Se alltid till att bränsleventilen och tändningen är i läge "OFF" när motorn inte används.

NOTE

Om motorn inte ska användas under period på två (2) veckor eller längre, vänligen se stycket "Förvaring" för korrekt förvaring av motor och bränsle.

Överbelasta inte generatorm

Kapacitet

Följ dessa enkla steg för att räkna ut vilken mängd watt som krävs för drift och start av de enheter du vill köra.

1. Välj de elektriska enheter som du tänker köra samtidigt.
2. Lägg ihop watt-talen för dessa enheter. Detta är den mängd watt som du behöver för att hålla dina enheter igång.
3. Notera det högsta watt-talet av de enheter som du valde i steg 1. Lägg till detta tal till summan du fick ihop i steg 2. Spänningsökning (extra watt) är den extra effekt som behövs för att starta vissa elektriskt drivna komponenter. Följ stegen i stycket "Strömhantering" för att säkerställa att endast en enhet i taget startas.

Strömhantering

Använd följande formel för att konvertera volt och ampere till watt:

$$\text{Volt} \times \text{Ampere} = \text{Watt}$$

Följ dessa steg för att förlänga livslängden på din generator och på inkopplade enheter när du ökar på den elektriska belastningen:

1. Starta generatorm utan någon elektrisk belastning inkopplad.
2. Låt motorn köras i några minuter för att stabiliseras.
3. Koppla in och starta den första enheten. Det är bäst att koppla på den enhet som har högst belastning först.
4. Låt motorn stabilisera sig.
5. Koppla in och starta nästa enhet.
6. Låt motorn stabilisera sig.
7. Upprepa steg 5-6 för varje extra enhet.

NOTE

Överskrid aldrig den angivna kapaciteten när du lägger till fler belastande källor till generatorm.

Drift vid hög höjd

Var medveten om att motoreffekten kan minskas och avgaserna kan öka vid drift på hög höjd. Andra effekter av hög höjd kan vara svår start, ökad bränsleförbrukning och nedsmutsade tändstift. Detta är ett naturligt förlopp och kan inte ändras genom motorjustering.

Underhåll av ventilspel

Din Champion Power Equipment produkt är designad och testad för kontinuerlig drift i omgivande temperaturer upp till +40°C (104°F). När du har behov av din produkt kan den användas i temperaturer från -15°C (5°F) till 50°C (122°F) under kortare perioder. Om produkten förvaras i temperature utanför detta temperaturspann bör den återföras till det spännet innan den används. Oavsett temperature skall den alltid användas utomhus på en väl-ventilerad plats på säkert avstånd från dörrar, fönster och andra luftintag.

SV

UNDERHÅLL OCH FÖRVARING

Ägaren/användaren är ansvarig för allt periodiskt underhåll.

WARNING

Använd eller kör aldrig en skadad eller trasig generator.

WARNING

Att mixtra med den fabriksinställda regulatören kommer att göra att garantin blir ogiltig.

WARNING

Olämpligt underhåll kommer att göra att garantin blir ogiltig.

NOTE

Underhåll, byte av delar eller reparation av avgaskontrollanordningar kan göras av valfri reparationsverkstad eller individ.

Genomför allt underhåll på utsatt tid. Rätta till alla problem innan generatören används.

Motorunderhåll

För att förebygga oavsiktlig start av motorn, ta bort och jorda sladden till tändstiftet innan underhåll genomförs.

Olja

Byt olja när motorn är varm. Se oljespecifikationen för att välja rätt oljekvalitet för din användningsmiljö.

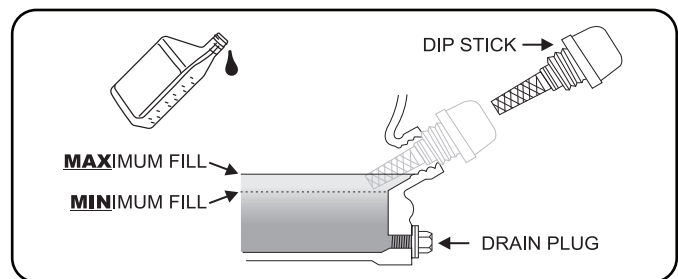
1. Ta bort bottenpluggen för tömning av oljan med en 15 mm hylsnyckel med förlängning (ingår inte).
2. Låt oljan tömmas helt.
3. Sätt tillbaka bottenpluggen.
4. Ta bort oljelocket och oljestickan för att fylla på olja.
5. Fyll på olja och återställ oljestickan och oljelocket. ÖVERFYLL INTE.
6. Kassera använd olja på en godkänd avfallshanteringsstation.

NOTE

När oljan har fyllts på bör en avsyning visa olja upp till ca. 1-2 gånger från att rinna ut ur påfyllningshålet.

Om du använder en oljesticka för att kontrollera oljan ska du INTE skruva fast oljestickan när du gör kontrollen.

Olja, forts.

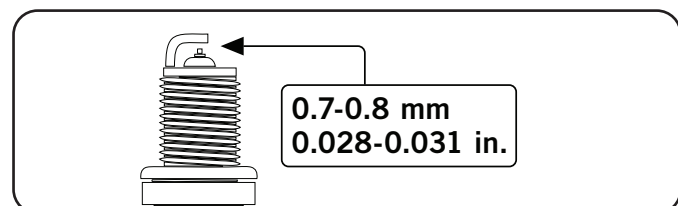


Tändstift

1. Ta bort sladden till tändstiftet.
2. Ta bort tändstiftet.
3. Kontrollera elektroden på tändstiftet. Den måste vara ren och inte sliten för att producera den gnista som krävs för tändning.
4. Se avsnittet "Specifikationer" för information om tändstift för denna modell.
5. Sätt försiktigt tillbaka tändstiftet i motorn.
6. Använd ett tändstiftsverktyg (ingår inte) för att installera tändstiftet ordentligt.
7. Fäst sladden till tändstiftet.

Luftfilter

1. Ta bort det fastsnäppta skyddet som håller luftfiltret på plats.
2. Ta bort skumelementet.
3. Tvätta i flytande rengöringsmedel och vatten. Kläm noggrant i en torr och ren handduk.
4. Dränk i ren motorolja.
5. Kläm i ett torrt sugande tyg för att ta bort all överflödiga olja.
6. Sätt tillbaka filtret på plats.
7. Sätt tillbaka skyddet och snäpp fast.



OEM-Tändstift: NHSP F6RTC

Utbyteständstift: NGK BPR6ES eller motsvarande

Säkerställ att tändstiftets gap är 0,7-0,8 mm (0,028 – 0,031 in.)

Underhåll av ventilspel

- Inloppsventil: 0.13 - 0.17 mm (0.005 - 0.007 in.)
- Avgasventil: 0.18 - 0.22 mm (0.007 - 0.009 in.)

Gnistskydd

1. Låt motorn svalna helt innan du genomför underhåll på gnistskyddet.
2. Ta bort skruvarna som håller fast täckplåten som i sin tur håller fast gnistskyddet vid ljuddämparen.
3. Ta bort gnistskyddets skärm.
4. Ta försiktigt bort kolrester från gnistskyddets skärm med en stålborste.
5. Ersätt gnistskyddet om det är skadat.
6. Fäst gnistskyddet vid ljuddämparen med de tre skruvarna.

! CAUTION

Att inte rengöra gnistskyddet gör att motorns prestanda minskar.

NOTE

Lagar och förordningar beträffande elsäkerhet anger när gnistskydd krävs. Se Elsäkerhetsverkets föreskrifter.

Rengöring

! CAUTION

SPRUTA INTE vatten på motorn.

Vatten kan kontaminera bränslesystemet.

Använd en fuktig trasa för att rengöra utsidan på motorn.

Använd en mjuk borste för att ta bort smuts och olja. Använd en luftkompressor (25 PSI) för att ta bort smuts och skräp från motorn.

Justeringar

Luft-bränsleblandningen är inte justerbar. Att mixra med regulatorn kan skada din generator och dina elektriska apparater och gör garantin ogiltig. CPE rekommenderar att du kontaktar din lokala handlare för alla andra underhålls- och/eller justeringsbehov.

Underhållsschema

Följ de underhållsintervall som anges i följande underhållsschema.

Genomför underhåll på din generator oftare om den används i ogynnsamma förhållanden.

Var åttonde timme eller dagligen	
	Kontrollera oljenivå
	Rengör runt luftintag och ljuddämpare
De första fem timmarna	
	Byt olja
Var 50:e timme eller varje säsong	
	Rengör luftfilter
	Byt olja om motorn ska köras under tung belastning eller i het miljö.
Var 100:e timme eller varje säsong	
	Byt olja
	Rengör/justera tändstift
	Kontrollera/justera ventilavstånd*
	Rengör gnistskydd
	Rengör bränsletank och filter*
Var 250:e timme	
	Rengör förbränningskammare*
Vart tredje år	
	Ersätt bränsleslangen

SV

*Ska utföras av kunniga, erfarna ägare eller av Champion Power Equipment-certifierade återförsäljare.

Generatorunderhåll

Se till att motorn hålls ren och att den förvaras på lämpligt sätt. Använd endast enheten på en platt jämn yta i en ren, torr användningsmiljö. UTSÄTT INTE enheten för extrema omständigheter, överdrivet damm, smuts, fukt eller frätande ångor.

! CAUTION

ANVÄND INTE en trädgårdsslang för att rengöra motorn.

Vatten kan komma in i motorn via avkylningsglitsarna och skada motorns spiraler.

Använd en fuktig trasa för att rengöra utsidan på motorn.

Använd en mjuk borste för att ta bort smuts och olja. Använd en luftkompressor (25 PSI) för att ta bort smuts och skräp från motorn.

Inspektera alla luftventiler och avkylningsglitsar för att säkerställa att de är rena och obehindrade.

UNDERHÅLL OCH FÖRVARING

Förvaring

Generatoren bör startas minst en gång var 14:e dag och köras i minst 20 minuter. För längre tids förvaring, vänligen följ dessa riktlinjer.

Generatorförvaring

1. Fyll på en lämplig bränslestabilisator i tanken.
2. Se till att alla apparater är fränkopplade från generatoren.
3. Kör generatoren ett par gånger så att det behandlade bränslet cirkulerar i bränslesystemet och förgasaren.
4. Vrid bränsleventilen till läge "OFF".
5. Låt motorn köras tills bristen på bränsle stoppar motorn. Detta tar vanligtvis några minuter.
6. Generatoren behöver kylas ned helt innan rengöring och förvaring.
7. Rengör generatoren enligt avsnittet om underhåll.
8. Byt oljan.
9. Ta bort tändstiftet och häll i ca. 15 ml (1/2 ounce) olja i cylindern. Veva motorn försiktigt för att distribuera oljan och smörja cylindern.
10. Sätt tillbaks tändstiftet.
11. Förvara enheten på en ren, torr plats och inte i direkt solljus.

Batteri

Vissa generatorer av ramtyp är utrustade med en automatisk batteriladdningsenhet. Batteriet laddas när motorn körs. Batteriet behåller bibehåller en lagom laddning om enheten används regelbundet (minst en gång varannan vecka). Om enheten används mindre ofta bör batteriet anslutas till en batteriladdare för att hålla batteriet lämpligt laddat. Om batteriet inte klarar av att starta motorn så kan den startas med hjälp av dragsnöret. Om batteriets spänning är extremt låg finns risk att laddningsenheten inte klarar att ladda batteriet. Om så är fallet måste batteriet anslutas till en konventionell batteriladdare för att laddas innan det kan användas.

Ladda batteriet

För generatorer som är utrustade med batterier för elektrisk start måste korrekt batteriunderhåll och batteriförvaring ske. En automatisk batteriladdare (ingår inte) med automatisk underhållsladdning bör användas för att ladda batteriet. Maximal laddningsstyrka bör inte överstiga 1,5 ampere. Följ de instruktioner som följer med batteriladdaren. Batteriet bör laddas fullt minst en gång i månaden.

NOTE

En underhållsladdare kommer att bibehålla batteriet i gott skick under långa förvaringsperioder.

Koppla ifrån batteriet

1. Ta bort det skyddande höljet från den svarta minuspoolen (-).
2. Koppla ifrån den svarta minuspoolen (-) från den svarta minusterminalen (-) på batteriet och spara/ förvara lockskraven och låsbrickan.
3. Upprepa steg 1-2 för den röda pluspoolen (+).
4. Förvara batteriet på en sval torr plats.

DANGER

Generatoravgaser innehåller kolmonoxid som är en färglös, doftfri, giftig gas.

För att undvika oavsiktlig tändning av din elektriska startgenerator under förvaringsperioder bör följande förebyggande åtgärder tas:

- Se till att tändningen och bränsleventilen är i läge "OFF" när generatoren ska förvaras under kortare perioder.
- Se till att tändningen och bränsleventilen är i läge "OFF" och att batteriets pooler har kopplats bort från batteriet när generatoren ska förvaras under en längre tid.

Problem	Orsak	Lösning
Generatoren startar inte	Inget bränsle	Fyll på bränsle
	Felaktigt tändstift	Byt ut tändstiftet
	Enheten var belastad under uppstart	Ta bort belastningen från enheten
Generatoren startar inte; Generatoren startar men går ojämnt	Låg oljenivå	Fyll på vevhuset till lämplig nivå Placera generatoren på en platt jämn yta
	Choke-spaken står i fel läge.	Justera choken.
	Sladden till tändstiftet är lös	Fäst sladden till tändstiftet
Generatoren startar inte elektriskt	Generatorbatteriet är dött	Ladda upp generatorbatteriet
Generatoren stängs av under drift	Slut på bränsle	Fyll på bränsletanken
	Låg oljenivå	Fyll på vevhuset till lämplig nivå Placera generatoren på en platt jämn yta
Generatoren alstrar inte tillräckligt med ström eller överhettas	Generatoren är överbelastad	Kontrollera belastningen och justera. Se "Strömhantering"
	Otillräcklig ventilation	Kontrollera om luften hindras. Flytta generatoren till en väl ventilerad plats.
Ingen växelström ges	Sladdar inte korrekt anslutna	Kontrollera alla anslutningar
	Ansluten enhet fungerar inte	Byt ut den anslutna enheten
	Strömbrytaren är öppen	Återställ strömbrytaren
	Felaktigt borstaggreat	Ersätt borstaggreatet (service center)
	Felaktig AVR (automatisk voltregulator)	Ersätt AVR (service center)
	Lösa kablar	Kontrollera och sätt fast kabelanslutningar
Generatoren rusar	Övrigt	Kontakta hjälplinjen.
	Motorregulatorn är felaktig	Kontakta hjälplinjen
Strömbrytaren utlöses upprepade gånger	Överbelastning	Kontrollera belastningen och justera. Se "Strömhantering"
	Felaktiga sladdar eller enhet	Kontrollera efter skadade, öppna eller fransiga sladdar. Byt ut den anslutna enheten

EINLEITUNG

Einführung

Herzlichen Glückwunsch zum Kauf Ihres Stromerzeugers. Bitte und pflegen Sie korrekt.

Mobiler Stromerzeuger

Dieses Gerät ist ein benzinbetriebener Wechselstromgenerator, der zur Stromversorgung verwendet wird.

Zubehör

CPE produziert und liefert eine Reihe von Zubehörteilen. Weitere Informationen erhalten Sie beim lokalen Händler.

Diese Broschüre

Wir behalten uns das Recht vor, das Produkt und dieses Handbuch ohne vorherige Ankündigung zu ändern, zu modifizieren oder zu verbessern.

Notieren Sie sich die Modell- und Seriennummern sowie Datum und Ort des Kaufs zur späteren Verwendung. Halten Sie diese Informationen bei der Bestellung von Teilen und bei technischen und/oder Garantieforderungen bereit.

Champion Power Equipment Support	
Modellnummer	
Seriennummer	
Kaufdatum	
Kaufort	
Für die Ölart siehe Abschnitt "Motoröl hinzufügen". Für die Kraftstoffart siehe Abschnitt "Kraftstoff hinzufügen".	

Bitte machen Sie sich mit den folgenden Symbolen vertraut. Das Sicherheitssymbol und die Schlüsselwörter sind Sicherheitshinweise. Befolgen Sie alle Sicherheitshinweise, um Unfälle und/ oder Verletzungen zu vermeiden.

GEFAHR

GEFAHR weist auf eine unmittelbar drohenden Gefahr hin, die, wenn sie nicht vermieden wird, zum Tod oder zu schweren Verletzungen führt.

WARNUNG

WARNUNG weist auf eine potenziell gefährliche Situation hin, die, wenn sie nicht vermieden wird, zu Tod oder schweren Verletzungen führen kann.

VORSICHT

VORSICHT weist auf eine potenziell gefährliche Situation hin, die, wenn sie nicht vermieden wird, zu leichten oder mittleren Verletzungen führen kann.

VORSICHT

VORSICHT, die ohne das Sicherheitswarnsymbol verwendet wird, weist auf eine potenziell gefährliche Situation hin, die, wenn sie nicht vermieden wird, zu Sachschäden führen kann.

HINWEIS

Wenn Sie Fragen zu Ihrem Generator haben, können wir Ihnen helfen. Bitte wenden Sie sich an Ihren Händler vor Ort.

SICHERHEITSVORSCHRIFTEN

WARNUNG

Lesen Sie diese Anleitung sorgfältig durch, bevor Sie Ihren Generator in Betrieb nehmen. Die Nichtbeachtung der Anweisungen kann zu schweren Verletzungen oder zum Tod führen.

WARNUNG

Der Motorabgas aus diesem Produkt enthalten Chemikalien, von denen bekannt ist, dass sie schwerwiegende Gesundheitsprobleme und sogar den Tod verursachen.

GEFAHR

Das Abgas des Generators enthält Kohlenmonoxid, ein farbloses, geruchloses Giftgas. Das Einatmen von Kohlenmonoxid verursacht Übelkeit, Schwindel, Ohnmacht oder Tod. Wenn Sie sich schwindelig oder schwach fühlen, gehen Sie sofort an die frische Luft.

Betreiben Sie den Generator im Freien nur in einem gut belüfteten Bereich. Betreiben Sie den Generator NICHT in einem Gebäude, einschließlich Garagen, Kellern und Schuppen, einem Gehäuse oder Abteil, einschließlich des Stauraums eines Wohnmobils. Lassen Sie KEINE Abgase durch Fenster, Türen, Lüftungsschlitze oder andere Öffnungen gelangen. **GEFAHR CARBON MONOXID: Die Verwendung eines Generators in Innenräumen kann Sie in wenigen Minuten töten.**

GEFAHR

Rotierende Teile können Hände, Füße, Haare, Kleidung und/oder Accessoires verwickeln. Dies kann zu einer traumatischen Amputation oder schweren Platzwunden führen

Halten Sie Hände und Füße von rotierenden Teilen fern. Binden Sie lange Haare zusammen und entfernen Sie Schmuck. Betreiben Sie das Gerät mit installierten Schutzvorrichtungen. Tragen Sie KEINE lose sitzende Kleidung, baumelnde Kordeln oder Gegenstände, die sich verfangen könnten.

GEFAHR

Der Generator erzeugt eine starke Spannung.

Berühren Sie KEINE blanken Drähte oder Buchsen. Verwenden Sie KEINE Stromkabel, die abgenutzt, beschädigt oder ausgefranst sind. Betreiben Sie den Generator NICHT bei nassem Wetter. Lassen Sie KEINE Kinder oder nicht qualifizierte Personen den Generator bedienen oder warten. Verwenden Sie einen Fehlerstromschutzschalter (FI) in Feuchträumen und Bereichen, die leitfähiges Material enthalten, wie z. B. Metallböden. Verwenden Sie zugelassene Transfer-Geräte, um den Generator ins Stromnetz integrieren. Informieren Sie Ihr Versorgungsunternehmen, bevor Sie den Generator an Ihr Stromnetz anschließen.

WARNUNG

Funken können zu Bränden oder Stromschlägen führen.

Bei der Wartung des Generators:

Ziehen Sie das Zündkerzenkabel ab und legen Sie es dort ab, wo es die Kerze nicht berühren kann. Überprüfen Sie NICHT bei gezogener Kerze auf Zündung. Verwenden Sie nur zugelassene Zündkerzenprüfgeräte.

WARNUNG

Laufende Motoren erzeugen Wärme. Bei Kontakt können schwere Verbrennungen auftreten. Brennbar Materialien können bei Kontakt Feuer fangen.

Berühren Sie KEINE heißen Oberflächen. Vermeiden Sie den Kontakt mit heißen Abgasen. Lassen Sie das Gerät vor dem Berühren abkühlen. Halten Sie einen Abstand von 91,4 cm (3 ft.) auf allen Seiten ein, um eine ausreichende Kühlung zu gewährleisten. Halten Sie einen Abstand von mindestens 1,5m (5 ft.) zu brennbaren Materialien ein.

WARNUNG

Medizinische und lebenserhaltende Anwendungen.

Rufen Sie im Notfall sofort den Notfalldienst an. Verwenden Sie dieses Produkt NIEMALS zur Stromversorgung von lebenserhaltenden Geräten oder lebenserhaltenden Geräten. Verwenden Sie dieses Produkt NIEMALS zur Stromversorgung von Medizinprodukten oder medizinischen Geräten. Informieren Sie sofort Ihren Stromversorger, wenn Sie oder jemand in Ihrem Haushalt auf elektrische Geräte zum Leben angewiesen ist. Informieren Sie sofort Ihren Stromversorger, wenn ein Stromausfall dazu führen würde, dass Sie oder jemand in Ihrem Haushalt einen medizinischen Notfall erleidet.

DANGER

Kraftstoff und Kraftstoffdämpfe sind leicht entzündlich und extrem explosiv. Eine unbeabsichtigte Inbetriebnahme kann zu schweren Verletzungen führen.

Beim Hinzufügen oder Entfernen von Kraftstoff:

Schalten Sie den Generator aus und lassen Sie ihn mindestens zwei Minuten abkühlen, bevor Sie den Tankdeckel entfernen. Lösen Sie die Kappe langsam, um den Druck im Tank abzubauen. Füllen oder entleeren Sie Kraftstoff nur im Freien in einem gut belüfteten Bereich. Füllen Sie KEIN Benzin direkt in den Generator an der Tankstelle. Verwenden Sie einen zugelassenen Behälter, um den Kraftstoff zum Generator zu transportieren.. Den Kraftstofftank NICHT überfüllen. Halten Sie den Kraftstoff immer fern von Funken, offenen Flammen, Kontrollleuchten, Hitze und anderen Zündquellen.. Zünden oder rauchen Sie keine Zigaretten.

Beim Starten des Generators:

Versuchen Sie NICHT, einen beschädigten Generator zu starten. Vergewissern Sie sich, dass Tankdeckel, Luftfilter, Zündkerze, Kraftstoffleitungen und Abgassystem ordnungsgemäß angebracht sind. Lassen Sie verschütteten Kraftstoff vollständig verdunsten, bevor Sie versuchen, den Motor zu starten. Achten Sie darauf, dass der Generator fest auf ebenem Boden steht.

Beim Betrieb des Generators:

Bewegen oder kippen Sie den Generator während des Betriebs NICHT. Den Generator NICHT kippen oder Kraftstoff oder Öl auslaufen lassen.

Beim Transport oder Wartung des Generators:

Vergewissern Sie sich, dass sich das Kraftstoffabsperrventil in der Aus-Stellung befindet und der Kraftstofftank leer ist. Ziehen Sie das Zündkerzenkabel ab.

Bei der Lagerung des Generators:

Lagern Sie das Gerät fernab von Funken, offenen Flammen, Kontrollleuchten, Hitze und anderen Zündquellen.

WARNING

Der Betrieb dieses Geräts kann Funken erzeugen, die in der Umgebung von trockener Vegetation Brände auslösen können.

Gegebenenfalls ist eine Funkensperre erforderlich. Der Betreiber sollte sich für Gesetze oder Vorschriften in Bezug auf Brandschutzanforderungen an die örtlichen Brandschutzbehörden wenden.

WARNUNG

Das schnelle Einziehen des Starterseils zieht Hand und Arm schneller zum Motor, als Sie loslassen können, was zu schweren Verletzungen führen kann.

Beim Anlassen des Motors das Starterseil langsam ziehen, bis ein Widerstand spürbar ist, und dann schnell ziehen, um Rückschläge zu vermeiden. Starten oder stoppen Sie den Motor NICHT, wenn elektrische Geräte angeschlossen sind.

VORSICHT

Eine Überschreitung der Betriebskapazität des Generators kann den Generator und/oder die daran angeschlossenen elektrischen Geräte beschädigen.

Überlasten Sie den Generator NICHT. Starten Sie den Generator und lassen Sie den Motor sich stabilisieren, bevor Sie elektrische Verbraucher anschließen. Schließen Sie die elektrischen Geräte in der Aus-Stellung an und schalten Sie sie dann zur Bedienung ein. Schalten Sie die elektrischen Geräte aus, bevor Sie den Generator stoppen. Manipulieren Sie NICHT die regulierte Geschwindigkeit. Nehmen Sie KEINE Modifikationen am Gerät vor.

VORSICHT

Unsachgemäße Behandlung oder Verwendung des Generators kann ihn beschädigen, seine Lebensdauer verkürzen und zum Erlöschen der Garantie führen.

Verwenden Sie den Generator nur für den bestimmungsgemäßen Gebrauch. Betreiben Sie das Gerät nur auf ebenen Flächen. Setzen Sie den Generator NICHT übermäßiger Feuchtigkeit, Staub oder Schmutz aus. Lassen Sie kein Material die Kühlschlitze blockieren. Wenn sich angeschlossene Geräte überhitzen, schalten Sie sie aus und trennen Sie sie vom Generator. Verwenden Sie den Generator NICHT, wenn:

- Elektrische Leistung verloren geht
- Equipment Funken erzeugt, raucht oder brennt
- Equipment übermäßig vibriert

INBETRIEBNAHME

Ihr Generator benötigt eine gewisse Montage. Dieses Gerät wird ab Werk ohne Öl ausgeliefert. Vor dem Betrieb muss er ordnungsgemäß mit Kraftstoff und Öl gewartet werden. Wenn Sie Fragen zur Montage Ihres Generators haben, wenden Sie sich bitte an Ihren Händler vor Ort. Bitte halten Sie Ihre Seriennummer und Modellnummer bereit.

Entfernen Sie den Generator aus dem Versandkarton

1. Stellen Sie den Versandkarton auf eine feste, ebene Fläche.
2. Entfernen Sie alles aus dem Karton mit Ausnahme des Generators.
3. Entfernen Sie den Generator vorsichtig mit den Tragegriffen des Gerätes aus der Box. (es wird empfohlen, dass zwei Personen anheben)

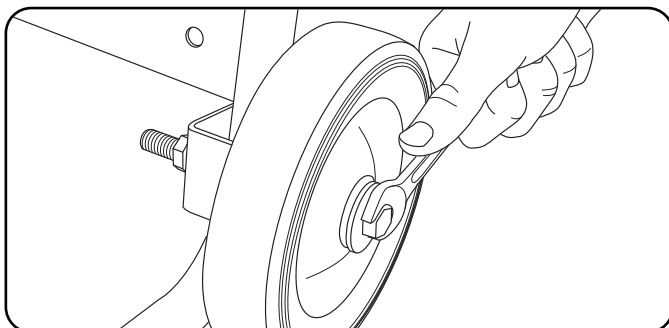
Radsatz installieren - optionales Zubehör

! Vorsicht

Der Radsatz ist nicht für den Einsatz auf der Straße bestimmt.

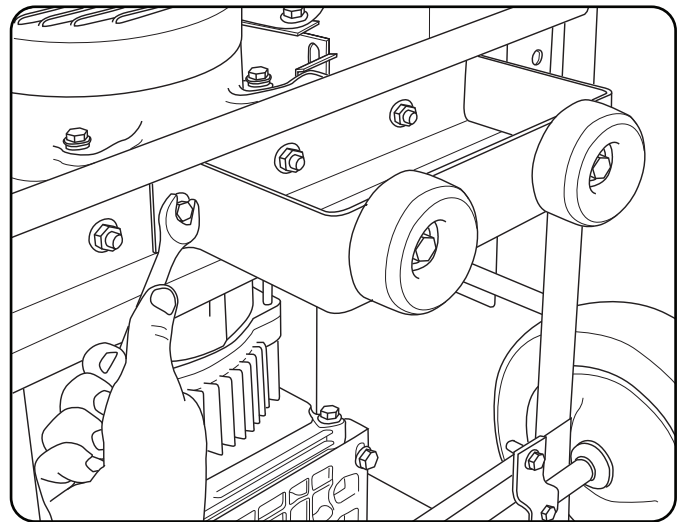
Für die Montage der Räder benötigen Sie die folgenden Werkzeuge: (nicht im Lieferumfang enthalten)

- Verstellbarer Schraubenschlüssel
 - Steckschlüssel
 - Zange
1. Bevor Sie Kraftstoff und Öl hinzufügen, kippen Sie den Generator auf die Seite.
 2. Schieben Sie die Radschraube durch die Unterlegscheibe, die Buchse und das Rad.
 3. Schieben Sie die Schraube durch den Befestigungspunkt am Rahmen.
 4. Befestigen Sie es sicher mit der Kontermutter.
 5. Wiederholen Sie die Schritte 2-4, um das zweite Rad zu befestigen.



Stützfuß montieren

1. Befestigen Sie die Schwingungsdämpfer mit einer Flanschschraube M8 x 25 und Flanschkontermuttern am Stützbein.
2. Befestigen Sie das Stützbein mit Flanschschrauben M8 x 16 und Flanschkontermuttern am Generatorrahmen und befestigen Sie es sicher. Ziehen Sie die Kontermuttern NICHT zu fest an.
3. Kippen Sie den Generator langsam, so dass er auf den Rädern und dem Stützbein aufliegt.



Anschließen der Batterie (Nur für Elektrostart-Modelle)

1. Entfernen Sie die Schutzabdeckung vom roten (+) Kabel am Akku.
2. Befestigen Sie die rote (+)Leitung an der roten (+)-Klemme an der Batterie mit der Flanschschraube und sichern Sie sie mit der Flanschmutter.
3. Wiederholen Sie die Schritte 1-2 für das schwarze (-) Batteriekabel.

Motoröl hinzufügen

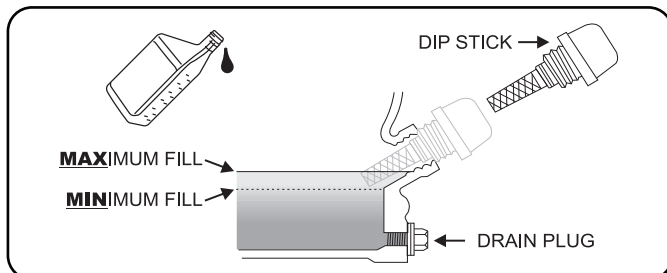
! VORSICHT

Versuchen Sie NICHT, den Motor zu kurbeln oder zu starten, bevor er nicht ordnungsgemäß mit der empfohlenen Art und Menge an Öl gefüllt wurde. Schäden am Generator, die durch Nichtbeachtung dieser Anweisungen verursacht werden, führen zum Erlöschen der Garantie.

HINWEIS

Die empfohlene Ölsorte ist 10W-30 Automobilöl.

1. Stellen Sie den Generator auf eine ebene, ebene Fläche.
2. Öleinfülldeckel/Messstab entfernen, um Öl hinzuzufügen.
3. Öl nachfüllen und Öleinfülldeckel/Messstab wieder einsetzen. NICHT ÜBERFÜLLEN.
4. Den Motorölstand täglich überprüfen und bei Bedarf nachfüllen.



HINWEIS

Nach dem Einfüllen des Öls sollte eine Sichtkontrolle zeigen, dass das Öl ca. 1-2 Gewindegänge aus der Einfüllöffnung ausläuft. Wenn Sie den Ölmesstab zur Ölstandskontrolle verwenden, schrauben Sie den Ölmesstab während der Kontrolle NICHT ein.

VORSICHT

Der Motor ist mit einer Niedrig-Öl-Abschaltung ausgestattet und stoppt, wenn der Ölstand im Kurbelgehäuse den Schwellenwert unterschreitet.

Motoröl hinzufügen Fortsetzung

HINWEIS

Überprüfen Sie das Öl regelmäßig während der Einlaufphase. Empfohlene Wartungsintervalle finden Sie im Abschnitt Wartung.

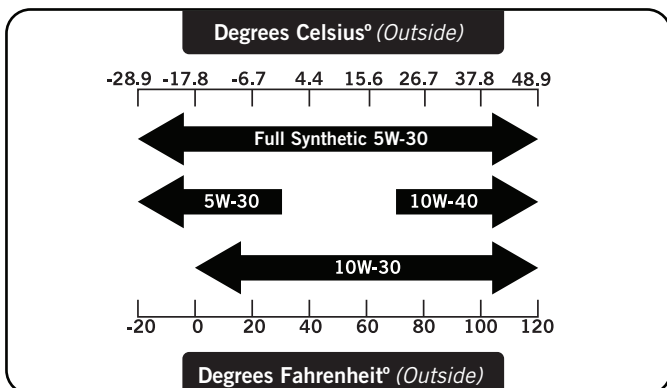
HINWEIS

Der Generatorrotor verfügt über ein abgedichtetes, vorgeschmiertes Kugellager, das während der gesamten Lebensdauer des Lagers keine zusätzliche Schmierung benötigt.

HINWEIS

Wir betrachten die ersten 5 Stunden der Betriebszeit als Einlaufzeit für das Gerät. Während der Einlaufzeit bleiben Sie bei oder unter 50% der Betriebsleistung und variieren Sie die Last gelegentlich, damit die Statorwicklungen heizen und kühlen können. Das Anpassen der Last führt auch dazu, dass sich die Motordrehzahl ändert und die Kolbenringe sich setzen können. Nach der 5-stündigen Einlaufzeit das Öl wechseln.

DE



HINWEIS

Das Wetter wird sich auf das Motoröl und die Motorleistung auswirken. Ändern Sie die Art des verwendeten Motoröls je nach Wetterlage entsprechend den Anforderungen des Motors.

HINWEIS

Synthetisches Öl kann nach der anfänglichen Einarbeitungszeit von 5 Stunden verwendet werden. Die Verwendung von synthetischem Öl verlängert nicht das empfohlene Ölwechselintervall.

INBETRIEBNAHME

Kraftstoff hinzufügen

1. Verwenden Sie sauberen, frischen, regelmäßigen bleifreien Kraftstoff mit einem Oktanzahl von mindestens 85 und einem Ethanolgehalt von weniger als 10 Vol.-%.
2. Mischen Sie KEIN Öl mit Kraftstoff.
3. Reinigen Sie den Bereich um den Tankdeckel.
4. Entfernen Sie den Tankdeckel.
5. Geben Sie den Kraftstoff langsam in den Tank. NICHT ÜBERFÜLLEN. Der Kraftstoff kann sich nach dem Befüllen ausdehnen. Ein Minimum von 1/4 Zoll. (6,4 mm) des im Tank verbleibenden Raums für die Kraftstoffausdehnung wird benötigt, mehr als 1/4 Zoll. (6,4 mm) wird empfohlen. Bei Überfüllung kann Kraftstoff durch Expansion aus dem Tank gedrückt werden und den stabilen Betriebszustand des Produkts beeinträchtigen. Beim Befüllen des Tanks wird empfohlen, genügend Platz für die Ausdehnung des Kraftstoffs zu lassen.

⚠ VORSICHT

Verwenden Sie bleifreies Normalbenzin mit einer Oktanzahl von mindestens 85.

Mischen Sie kein Öl und Benzin. Füllen Sie den Tank auf ca. 1/4 Zoll. (6,4 mm) unter der Oberseite des Tanks, um eine Kraftstoffausdehnung zu ermöglichen. Pumpen Sie KEIN Benzin direkt in den Generator an der Tankstelle. Verwenden Sie einen zugelassenen Behälter, um den Kraftstoff zum Generator zu transportieren. Füllen Sie den Kraftstofftank NICHT im Innenbereich. Den Kraftstofftank NICHT füllen, wenn der Motor läuft oder heiß ist. Den Kraftstofftank NICHT überfüllen. Beim Befüllen des Kraftstofftanks KEINE Zigaretten anzünden oder rauchen.

⚠ WARNUNG

Wenn Sie den Kraftstoff zu schnell durch das Kraftstoffsieb gießen, kann es beim Befüllen zu einem Rückschlag in Richtung des Bedieners kommen.

Kraftstoff hinzufügen (Fortsetzung)

🗨 HINWEIS

Unsere Motoren funktionieren gut mit 10% oder weniger Ethanolmischkraftstoffen. Bei der Verwendung von Mischbrennstoffen gibt es einige Besonderheiten zu beachten::

- EEthanol-Benzin-Gemische können mehr Wasser aufnehmen als Benzin allein.
- Diese Mischungen können sich schließlich trennen und Wasser oder einen wässrigen Schmiere im Tank, Kraftstoffventil und Vergaser zurücklassen.
- Bei schwerkraftgespeisten Kraftstoffzuführungen kann dieser gefährdete Kraftstoff in den Vergaser gesaugt werden und zu Schäden am Motor und/oder möglichen Gefahren führen.
- Es gibt nur wenige Anbieter von Kraftstoffstabilisatoren, die für den Einsatz mit Ethanolmischkraftstoffen entwickelt wurden.
- Jegliche Schäden oder Gefahren, die durch die Verwendung von unsachgemäßem Kraftstoff, unsachgemäß gelagertem Kraftstoff und/oder anderen Materialien verursacht werden.oder falsch formulierte Stabilisatoren, fallen nicht unter die Herstellergarantie.

Es ist ratsam, die Kraftstoffzufuhr immer abzuschalten, den Motor auf Kraftstoffmangel einzustellen und den Tank zu entleeren, wenn das Gerät länger als 30 Tage nicht benutzt wird.

Erdung

Ihr Generator muss ordnungsgemäß an eine geeignete Erdung angeschlossen sein, um einen elektrischen Schlag zu vermeiden.

⚠ WARNUNG

Eine unzureichende Erdung des Generators kann zu einem elektrischen Schlag führen.

Eine Erdungsklemme, die mit dem Rahmen des Generators verbunden ist, ist auf dem Fronpanel vorgesehen. Für die Fernerdung verbinden Sie einen Kupferdraht mit einer Länge von schwerem Durchmesser (mindestens 12 AWG) zwischen dem Generator- Masseanschluss und einer in die Erde eingetriebenen Kupferstange. Wir empfehlen dringend, dass Sie sich an einen qualifizierten Elektriker wenden, um die Einhaltung der örtlichen Vorschriften zu gewährleisten.

Standort des Generators

Betreiben Sie den Generator niemals in einem Gebäude! (Siehe Abschnitt Sicherheitshinweise). In einigen Bereichen müssen Generatoren beim örtlichen Versorgungsunternehmen registriert werden. Generatoren, die auf Baustellen eingesetzt werden, können den örtlichen Vorschriften und Vorschriften unterliegen. Das Gerät auf einem flachen, ebenen Untergrund aufstellen. Der Generator muss einen Mindestabstand von 1,5 m (5 ft) zu allen brennbaren Materialien aufweisen. Darüber hinaus müssen sie auf allen Seiten einen Freiraum von mindestens 91,4 cm (3 ft) gewährleisten, um eine ausreichende Kühlung, Wartung und Instandhaltung zu ermöglichen. Generatoren sollten niemals an einem Ort gestartet oder betrieben werden, der eine ausreichende Kühlung des Generators und/oder des Auspuffs nicht zulässt. Lassen Sie die Generatoren vor der Lagerung oder dem Transport abkühlen. Stellen Sie den Generator nicht in der Nähe von Lüftungsschlitzen oder Einlässen auf. Bei der Aufstellung des Generators sind Wind- und Luftströme sorgfältig zu berücksichtigen.

Bei Nichtbeachtung der entsprechenden Sicherheitsvorkehrungen kann die Herstellergarantie erlöschen.

WARNUNG

Betreiben oder lagern Sie den Generator nicht bei Regen, Schnee oder Nässe.

Die Verwendung eines Generators oder eines elektrischen Geräts bei nassen Bedingungen, wie Regen oder Schnee, oder in der Nähe eines Beckens oder einer Sprinkleranlage, oder wenn Ihre Hände nass sind, kann zu einem Stromschlag führen.

WARNUNG

Während des Betriebs werden der Schalldämpfer und die entstehenden Abgase heiß. Werden keine ausreichenden Kühl- und Atemräume zur Verfügung gestellt, oder ist der Generator blockiert oder eingedämmt, können sich die Temperaturen stark erwärmen und zu Bränden führen.

Erdung

Die Masse des Generatorsystems verbindet den Rahmen mit den Erdungsklemmen auf dem Bedienfeld. Die Systemmasse ist mit dem AC-Neutralleiter verbunden.

Überspannungsschutz

VORSICHT

Spannungsschwankungen können die einwandfreie Funktion empfindlicher elektronischer Geräte beeinträchtigen.

Elektronische Geräte, einschließlich Computer und viele programmierbare Geräte, verwenden Komponenten, die für den Betrieb innerhalb eines engen Spannungsbereichs ausgelegt sind und von kurzzeitigen Spannungsschwankungen beeinträchtigt werden können. Obwohl es keine Möglichkeit gibt, Spannungsschwankungen zu verhindern, können Sie Maßnahmen zum Schutz empfindlicher elektronischer Geräte ergreifen.

Installieren Sie UL1449, CSA-gelistete, steckbare Überspannungsableiter an den Anschlüssen, die Ihre empfindlichen Geräte versorgen. Überspannungsableiter gibt es in Ausführungen mit einem oder mehreren Ausgängen. Sie wurden entwickelt, um gegen nahezu alle kurzzeitigen Spannungsschwankungen zu schützen.

DE

Starten des Motors

1. Vergewissern Sie sich, dass sich der Generator auf einem flachen, ebenen Untergrund befindet.
2. Trennen Sie alle elektrischen Verbraucher vom Generator. Starten oder stoppen Sie den Generator niemals, wenn elektrische Geräte angeschlossen oder eingeschaltet sind.
3. Drehen Sie das Kraftstoffventil in die Position "ON".
4. Den Chokehebel in die Position "CHOKE" stellen.
5. Drehen Sie den Zündschalter in die Position "ON".
6. Bei Modellen mit elektrischem Start: Halten Sie den Zündschalter in die Position "START". Lassen Sie sie los, wenn der Motor anfängt, sich zu drehen. Wenn der Motor innerhalb von fünf Sekunden nicht startet, lassen Sie den Schalter los und warten Sie mindestens zehn Sekunden, bevor Sie versuchen, den Motor erneut zu starten.
7. Seilzugstart: Ziehen Sie das Starterseil langsam, bis ein Widerstand spürbar ist, und ziehen Sie dann schnell.
8. Nicht zu viel Choke geben. Sobald der Motor startet, den Chokehebel in die Position "RUN" bringen.

Starten des Motors (Fortsetzung)

HINWEIS

Halten Sie die Choke in der Position "Choke" nur für 1 Zug des Seilzugstarters. Nach dem ersten Zug schieben Sie die Choke für die nächsten drei Züge des Seilzugstarters ein. Zu viel Choke führt zu Zündkerzenverschmutzung / Motorüberflutung aufgrund des Fehlens von Zuluft. Dadurch wird der Motor nicht gestartet.

HINWEIS

Die mitgelieferte 12V 7AH-Batterie lädt sich bei laufendem Motor wieder auf, aber es wird auch empfohlen, die Batterie mindestens einmal im Monat vollständig aufzuladen.

HINWEIS

Wenn sich der Batterieschalter in der Position "ON" befindet, leuchtet der Schalter auf, wenn die Batterie eine Ladung abgibt. Wenn der Schalter in der Position "ON" nicht leuchtet, überprüfen Sie, ob der Batterieanschluss in Ordnung ist.

HINWEIS

Wenn der Motor startet, aber nicht weiterläuft, stellen Sie sicher, dass sich der Generator auf einer ebenen, ebenen Fläche befindet. Der Motor ist mit einem Ölmangel-Sensor ausgestattet, der verhindert, dass der Motor läuft, wenn der Ölstand einen kritischen Schwellenwert unterschreitet..

Anschließen von elektrischen Verbrauchern

1. Lassen Sie den Motor nach dem Start für einige Minuten stabilisieren und erwärmen.
2. Stecken Sie die gewünschten, einphasigen 230V 50Hz Verbraucher ein und schalten Sie sie ein.
 - Schließen Sie KEINE 3-phasigen Lasten an den Generator an.
 - Schließen Sie KEINE 60 Hz Lasten an den Generator an
 - Den Generator NICHT überlasten.

Anschließen von elektrischen Verbrauchern (Fortsetzung)

HINWEIS

Der Anschluss eines Generators an die Stromleitungen Ihres Energieversorgungsunternehmens oder an eine andere Stromquelle kann rechtswidrig sein. Hinzu kommt, dass bei unsachgemäßer Anwendung der Generator sowie angeschlossene Geräte beschädigt werden können. Des Weiteren kann dies zu schweren Verletzungen oder sogar zum Tod für Sie oder einen Elektriker führen, der an nahegelegenen Stromleitungen arbeitet. Wenn Sie planen, einen tragbaren Stromerzeuger während eines Stromausfalls zu betreiben, benachrichtigen Sie bitte sofort Ihr Energieversorgungsunternehmen und denken Sie daran, Ihre Geräte direkt an den Generator anzuschließen. Schließen Sie den Generator nicht an eine Steckdose in Ihrem Haus an. Auf diese Weise könnte eine Verbindung zum Energieversorger hergestellt werden. Sie sind dafür verantwortlich, dass der Strom Ihres Generators nicht in die Stromleitungen der Elektrizitätswerke zurückgespeist wird. Wenn der Generator an eine gebäudetechnische Anlage angeschlossen wird, wenden Sie sich an Ihr örtliches Versorgungsunternehmen oder einen qualifizierten Elektriker. Die Anschlüsse müssen die Generatorleistung von der Netzleistung trennen und alle geltenden Gesetze und Vorschriften einhalten.

Stoppen des Motors

1. Schalten Sie alle elektrischen Verbraucher aus und ziehen Sie den Netzstecker. Starten oder stoppen Sie den Generator niemals, wenn elektrische Geräte angeschlossen oder eingeschaltet sind.
2. Lassen Sie den Generator einige Minuten im Leerlauf laufen, um die Innentemperaturen von Motor und Generator zu stabilisieren.
3. Drehen Sie den Benzinhahn in die Position "AUS".
4. Lassen Sie den Motor laufen, bis der Kraftstoffmangel den Motor gestoppt hat. Dies dauert in der Regel einige Minuten.
5. Drücken Sie den Zündschalter in die Position "OFF".

Wichtig: Stellen Sie immer sicher, dass sich das Kraftstoffventil, der Zündschalter und der Batterieschalter in der Position "AUS" befinden, wenn der Motor nicht in Betrieb ist.

HINWEIS

Wenn der Motor für einen Zeitraum von zwei (2) Wochen oder länger nicht benutzt wird, lesen Sie bitte im Abschnitt Lagerung nach, wie Sie den Motor und den Kraftstoff ordnungsgemäß lagern können.

Generator nicht überlasten

Kapazität

Befolgen Sie diese einfachen Schritte, um die für Ihre Zwecke erforderlichen Lauf- und Startwerte zu berechnen.

1. Wählen Sie die elektrischen Geräte aus, die Sie gleichzeitig betreiben möchten.
2. Addieren Sie die Laufleistung in Watt dieser Geräte. Diese Wattleistung wird benötigt um die Verbraucher am laufen zu halten.
3. Identifizieren Sie die höchste Anlaufleistung aller in Schritt 1 genannten Geräte. Fügen Sie diese Zahl zu der in Schritt 2 berechneten Summe hinzu. Die Spitzenleistung ist der zusätzliche Leistungsschub, der benötigt wird, um einige elektrisch betriebene Geräte zu starten. Wenn Sie die unter "Power Management" aufgeführten Schritte ausführen, wird sichergestellt, dass jeweils nur ein Gerät gestartet wird.

Energie Management

Verwenden Sie die folgende Formel, um Spannung und Stromstärke in Watt umzuwandeln:

$$\text{Volt} \times \text{Ampere} = \text{Watt}$$

Um die Lebensdauer Ihres Generators und der angeschlossenen Geräte zu verlängern, führen Sie diese Schritte aus, um elektrische Verbraucher hinzuzufügen:

1. Starten Sie den Generator ohne angeschlossene elektrische Last.
2. Lassen Sie den Motor einige Minuten laufen, um sich zu stabilisieren.
3. Schließen Sie den Verbraucher mit der höchsten elektrischen Last zuerst an.
4. Lassen Sie den Motor stabilisieren.
5. Schließen Sie den nächsten Verbraucher an
6. Lassen Sie den Motor stabilisieren.
7. Wiederholen Sie die Schritte 5-6 für jede weiteren Verbraucher.

HINWEIS

Überschreiten Sie niemals die angegebene Kapazität, wenn Sie dem Generator Lasten hinzufügen.

Betrieb in großer Höhe

Beachten Sie, dass der Motorwirkungsgrad bei Arbeiten in großer Höhe reduziert werden kann und die Abgasemissionen steigen. Andere Probleme in großer Höhe können erschwertes Starten, erhöhter Kraftstoffverbrauch und Verschmutzung der Zündkerze sein. Dies ist ein natürlicher Trend und kann durch die Motoreinstellung nicht verändert werden.

Eine wichtige Nachricht über die Temperatur

Ihr Champion Power Equipment Produkt ist für den Dauerbetrieb bei Umgebungstemperaturen bis zu 40°C (104°F) entwickelt und ausgelegt. Wenn Ihr Produkt benötigt wird, kann Ihr Produkt für kurze Zeit bei Temperaturen von -15°C (5°F) bis 50°C (122°F) betrieben werden. Wenn das Produkt während der Lagerung Temperaturen außerhalb dieses Bereichs ausgesetzt ist, sollte es vor dem Betrieb wieder in diesen Bereich gebracht werden. In jedem Fall muss das Produkt immer im Freien, in einem gut belüfteten Bereich und fernab von Türen, Fenstern und anderen Lüftungsöffnungen betrieben werden.

WARTUNG & LAGERUNG

Der Eigentümer/Betreiber ist für alle regelmäßigen Wartungsarbeiten verantwortlich.

WARNUNG

Betreiben Sie niemals einen beschädigten oder defekten Generator.

WARNUNG

Manipulationen am werkseitig eingestellten Regler führen zum Erlöschen der Garantie.

WARNUNG

Unsachgemäße Wartung führt zum Erlöschen der Garantie.

HINWEIS

Die Wartung, der Austausch oder die Reparatur von emissionsmindernden Vorrichtungen und Systemen darf nur von Fachleuten durchgeführt werden.

Führen Sie alle geplanten Wartungsarbeiten rechtzeitig durch. Beheben Sie alle Probleme, bevor Sie den Generator in Betrieb nehmen.

Motorwartung

Um ein versehentliches Starten zu verhindern, entfernen und erden Sie das Zündkerzenkabel, bevor Sie eine Wartung durchführen.

Öl

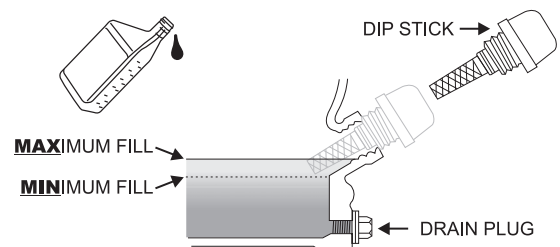
Wechseln Sie das Öl, wenn der Motor warm ist. Lesen Sie die Ölspezifikation, um die richtige Ölart für Ihre Betriebsumgebung auszuwählen.

1. Entfernen Sie die Ölablassschraube mit einem 15-mm-Steckschlüssel und Verlängerung (nicht im Lieferumfang enthalten).
2. Lassen Sie das Öl vollständig ablaufen.
3. Setzen Sie die Ablassschraube wieder ein.
4. Öleinfülldeckel/Messstab entfernen, um Öl hinzuzufügen.
5. Öl nachfüllen und Öleinfülldeckel/Messstab wieder einsetzen. **NICHT ÜBERFÜLLEN.**
6. Entsorgen Sie Altöl in einer zugelassenen Entsorgungseinrichtung.

Öl (Fortsetzung)

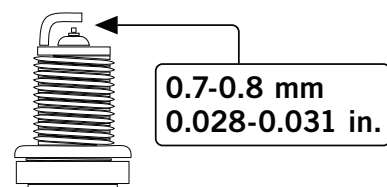
HINWEIS

Nach dem Einfüllen des Öls sollte eine Sichtkontrolle zeigen, dass das Öl ca. 1-2 Gewindegänge aus der Einfüllöffnung ausläuft. Wenn Sie den Ölmesstab zur Ölstandskontrolle verwenden, schrauben Sie den Ölmesstab während der Kontrolle **NICHT** ein.



Zündkerze

1. Entfernen Sie das Zündkerzenkabel von der Zündkerze.
2. Entfernen Sie den Stecker.
3. Überprüfen Sie die Elektrode am Stecker. Er muss sauber und nicht abgenutzt sein, um den für die Zündung erforderlichen Funken zu erzeugen.
4. Siehe Informationen zur Zündkerze auf der Seite "Spezifikation" für dieses Modell.
5. Den Stopfen vorsichtig in den Motor einschrauben.
6. Verwenden Sie das Zündkerzenwerkzeug (nicht im Lieferumfang enthalten), um die Kerze festzuziehen.
7. Befestigen Sie das Zündkerzenkabel an der Kerze.



OEM-Zündkerze: NHSP F6RTC

Ersatz-Zündkerze: NGK BPR6ES oder gleichwertig

Stellen Sie sicher, dass die Zündkerzenlücke 0,7 - 0,8 mm oder (0,028 - 0,031 in.) beträgt.

Wartung Ventilspielraum

- Einlass 0.13 - 0.17 mm (0.005 - 0.007 in.)

- Auspuff: 0.18 - 0.22 mm (0.007 - 0.009 in.)

Air Filter

1. Entfernen Sie die aufsteckbare Abdeckung, die den Luftfilter an der Baugruppe hält.
2. Entfernen Sie das Schaumstoffelement.
3. In flüssigem Reinigungsmittel und Wasser waschen. In einem sauberen Tuch gründlich trocknen lassen.
4. In sauberem Motoröl sättigen.
5. Drücken Sie ein sauberes, saugfähiges Tuch ein, um überschüssiges Öl zu entfernen.
6. Setzen Sie den Filter in die Baugruppe ein.
7. Befestigen Sie die Luftfilterabdeckung wieder und rasten Sie ein.

Funkenschutz

1. Lassen Sie den Motor vollständig abkühlen, bevor Sie den Funkenschutz warten.
2. Entfernen Sie die beiden Schrauben, die die Abdeckplatte halten, die das Ende des Funkenschutzes am Schalldämpfer hält.
3. Entfernen Sie das Sieb des Funkenschutzes.
4. Entfernen Sie die Kohlenstoffablagerungen vom Funkenschutzsieb vorsichtig mit einer Drahtbürste.
5. Ersetzen Sie den Funkenschutz, wenn er beschädigt ist.
6. Positionieren Sie den Funkenschutz im Schalldämpfer und befestigen Sie ihn mit den beiden Schrauben.

! VORSICHT

Wenn der Funkenschutz nicht gereinigt wird, führt dies zu einer Verschlechterung der Motorleistung.

HINWEIS

Bundes- und landesweite Gesetze und Verwaltungsvorschriften legen fest, wann und wo Funkenfänger erforderlich sind.

Reinigung

! VORSICHT

Besprühen Sie den Generator NICHT mit Wasser.

Wasser kann das Kraftstoffsystem verunreinigen.

Verwenden Sie ein feuchtes Tuch, um die Außenflächen des Generators zu reinigen. Verwenden Sie eine weiche Borstenbürste, um Schmutz und Öl zu entfernen. Verwenden Sie einen Luftkompressor (25 PSI), um Schmutz und Ablagerungen aus dem Generator zu entfernen.

Anpassungen

Das Luft-Kraftstoff-Gemisch ist nicht einstellbar. Manipulationen am Regler können Ihren Generator und Ihre elektrischen Geräte beschädigen und führen zum Erlöschen der Garantie.

Wartungsplan

Befolgen Sie die in der folgenden Wartungsübersicht angegebenen Wartungsintervalle.

Warten Sie Ihren Generator häufiger, wenn Sie unter widrigen Bedingungen arbeiten.

Alle 8 Stunden oder täglich	
	Ölstand prüfen
	Reinigen Sie den Lufteinlass und den Schalldämpfer.
Erste 5 Stunden	
	Ölwechsel
Alle 50 Stunden oder zu jeder Jahreszeit	
	Luftfilter reinigen
	Ölwechsel, bei Betrieb unter hoher Last oder in heißer Umgebung
Alle 100 Stunden oder zu jeder Jahreszeit	
	Ölwechsel
	Zündkerze reinigen/einstellen
	Ventilspiel prüfen/einstellen*.
	Funkenschutz reinigen
	Kraftstofftank und Filter reinigen*.
Alle 250 Stunden	
	Brennkammer reinigen*
Alle 3 Jahre	
	Ersetzen Sie die Kraftstoffleitung und den LPG-Schlauch.

*Ausführung durch sachkundige, erfahrene Eigentümer oder von Champion Power Equipment zertifizierte Händler.

Wartung des Generators

Stellen Sie sicher, dass der Generator sauber gehalten und ordnungsgemäß gelagert wird. Betreiben Sie das Gerät nur auf einem flachen, ebenen Untergrund in einer sauberen, trockenen Betriebsumgebung. Setzen Sie das Gerät NICHT extremen Bedingungen, übermäßigem Staub, Schmutz, Feuchtigkeit oder korrosiven Dämpfen aus.

! VORSICHT

Verwenden Sie KEINEN Gartenschlauch zur Reinigung

Durch die Kühlschlitze kann Wasser in den Generator eindringen und die Generatorwicklungen beschädigen.

Verwenden Sie ein feuchtes Tuch, um die Außenflächen des Generators zu reinigen. Verwenden Sie eine weiche Borstenbürste, um Schmutz und Öl zu entfernen. Verwenden Sie einen Luftkompressor (25 PSI), um Schmutz und Ablagerungen aus dem Generator zu entfernen. Überprüfen Sie alle Lüftungsöffnungen und Kühlschlitze auf Sauberkeit und Unversehrtheit.

Lagerung

Der Generator sollte mindestens einmal alle 14 Tage gestartet und mindestens 20 Minuten laufen gelassen werden. Für eine längerfristige Lagerung beachten Sie bitte diese Richtlinien.

Lagerung des Generators

1. Fügen Sie einen Kraftstoffstabilisator in den Tank.
2. Stellen Sie sicher, dass alle Geräte vom Generator getrennt sind.
3. Lassen Sie den Generator für einige Minuten laufen, damit der behandelte Kraftstoff durch das Kraftstoffsystem und den Vergaser fließt.
4. Drehen Sie das Kraftstoffventil in die Position "Aus".
5. Lassen Sie den Generator laufen, bis der Kraftstoffmangel den Motor gestoppt hat. Dies dauert in der Regel einige Minuten.
6. Der Generator muss vor der Reinigung und Lagerung vollständig abgekühlt sein.
7. Entfernen Sie den Zündkerzenstecker und ziehen Sie dann 3 mal am Rückstoßgriff, um das Benzin aus den Vergaserdüsen abzulassen.
8. Wechseln Sie das Motoröl.
9. Entfernen Sie die Zündkerze und gießen Sie etwa einen Esslöffel Öl in den Zylinder. Starten Sie den Motor langsam, um das Öl zu verteilen und den Zylinder zu schmieren.
10. Setzen Sie die Zündkerze wieder ein.
11. Lagern Sie das Gerät an einem sauberen, trockenen Ort und vor direkter Sonneneinstrahlung geschützt.

GEFAHR

Das Abgas des Generators enthält geruchloses und farbloses Kohlenmonoxidgas.

Um ein versehentliches oder unbeabsichtigtes Zünden Ihres Fernstartgenerators während der Lagerung zu vermeiden, sollten die folgenden Vorsichtsmaßnahmen getroffen werden:

- Wenn Sie den Generator für kurze Zeit aufbewahren, stellen Sie sicher, dass der Zündschalter, das Kraftstoffventil und der Batterieschalter auf AUS stehen.
- Bei längerer Lagerung des Generators ist darauf zu achten, dass der Zündschalter, das Kraftstoffventil und der Batterieschalter auf AUS gestellt sind und die Batterieleitungen von der Batterie getrennt wurden.

Batterie

Einige Rahmengeneratoren sind mit einer automatischen Batterieladeschaltung ausgestattet. Die Batterie erhält bei laufendem Motor eine Ladespannung. Der Akku hält die Ladung aufrecht, wenn das Gerät regelmäßig (etwa alle zwei Wochen) benutzt wird. Wenn die Batterie weniger häufig verwendet wird, sollte sie an ein Erhaltungsladegerät angeschlossen werden, um die Batterie richtig aufzuladen. Wenn die Batterie nicht in der Lage ist, den Motor zu starten, kann sie durch manuelles Ziehen am Seilzug gestartet werden. Wenn die Batteriespannung extrem niedrig ist, kann der Ladekreis die Batterie möglicherweise nicht wieder aufladen. In diesem Fall muss die Batterie an ein handelsübliches Batterieladegerät angeschlossen werden, um sie wieder aufzuladen, bevor sie verwendet werden kann.

Laden der Batterie

Bei einem Generator, der mit Batterien für den elektrischen Start ausgestattet ist, ist die ordnungsgemäße Wartung und Lagerung der Batterie zu beachten. Zum Aufladen der Batterie sollte ein automatisches Ladegerät (im Lieferumfang enthalten) mit automatischer Ladefunktion verwendet werden. Die maximale Ladeleistung sollte 1,5 Ampere nicht überschreiten. Befolgen Sie die Anweisungen, die dem Batterieladegerät beiliegen. Die Batterie sollte mindestens einmal im Monat vollständig geladen werden.

HINWEIS

Ein Batterieladeerhaltungsgerät hält den Batteriezustand über lange Lagerzeiten aufrecht.

Batterie abklemmen

1. Entfernen Sie die Schutzabdeckung vom schwarzen/negativen Batteriekabel.
2. Trennen Sie das schwarze/negative Kabel von der schwarzen/negativen Klemme der Batterie und bewahren Sie die Zylinderschraube und die Mutter auf.
3. Wiederholen Sie die Schritte 1-2 für das rot/positive Batteriekabel.
4. Bewahren Sie die Batterie an einem kühlen, trockenen Ort auf.

Problem	Ursache	Lösung
Der Generator startet nicht.	Kein Kraftstoff	Kraftstoff hinzufügen
	Defekte Zündkerze	Zündkerze ersetzen
	Verbraucher beim Start angeschlossen	Verbraucher vom Gerät trennen
Der Generator startet nicht; Der Generator startet, läuft aber unrund.	Niedriger Ölstand	Kurbelgehäuse auf die richtige Höhe befüllen
		Stellen Sie den Generator auf einen flachen, ebenen Untergrund.
	Choke in der falschen Position	Choke korrekt einstellen
Der Generator startet nicht per Funkstart.	Zündkerzenkabel lose	Kabel an der Zündkerze befestigen
	Die Batterie der Fernbedienung ist leer.	Batterie der Fernbedienung ersetzen
	Generatorbatterie ist leer	Generatorbatterie aufladen
Der Generator startet nicht elektrisch.	Der Batterieschalter befindet sich in der Position "OFF"	Batterieschalter auf die Position "ON" stellen.
	Generatorbatterie ist leer	Generatorbatterie aufladen
Der Generator schaltet sich während des Betriebs ab.	Der Batterieschalter befindet sich in der Position "OFF"	Batterieschalter auf die Position "ON" stellen.
	Kein Kraftstoff mehr	Kraftstofftank füllen
Der Generator kann nicht genügend Leistung liefern oder überhitzt.	Niedriger Ölstand	Kurbelgehäuse bis zum richtigen Niveau befüllen. Stellen Sie den Generator auf einen flachen, ebenen Untergrund.
	Generator ist überlastet	Überprüfen Sie die Last und passen Sie sie an. Siehe "Energiemanagement".
Keine AC-Leistung.	Unzureichende Belüftung	Überprüfen Sie die Lufteinschränkung. Stellen Sie den Generator in einen gut belüfteten Bereich.
	Kabel nicht richtig angeschlossen	Überprüfen Sie alle Verbindungen
	Angeschlossener Verbraucher ist defekt	Defekten Verbraucher ersetzen
	Der Leistungsschalter ist ausgeschaltet	Leistungsschalter zurücksetzen
	Lose Verkabelung	Überprüfen und festziehen der Kabelverbindungen
Wiederholtes Auslösen des Leistungsschalters.	Sonstiges	Kontaktieren Sie die Hotline
	Überlastung	Überprüfen Sie die Last und passen Sie sie an. Siehe "Energiemanagement".
	Fehlerhafte Kabel oder Verbraucher	Überprüfen Sie, ob die Drähte beschädigt, blank oder ausgefranst sind. Defekte Verbraucher ersetzen

INTRODUCTION

Introduksjon

Gratulerer med kjøpet av generatoren din. Vedlikeholdes på riktig måte.

Bærbar strømgenerator

Denne enheten er en bensindrevet AC-generator som brukes til strømforsyning.

Tilbehør

CPE produserer og leverer en rekke tilbehør. Kontakt din lokale forhandler for mer informasjon.

Dette heftet

Vi forbeholder oss retten til å endre, tilføye eller forbedre produktet og denne håndboken uten nærmere varsel.

Skriv ned modellen og serienumrene, i tillegg til kjøpsdato og -sted for fremtidig bruk. Ha denne informasjonen tilgjengelig ved bestilling av deler og ved tekniske forespørsler eller garantispørsmål.

Champion Power Equipment Support	
Modellnummer	
Serienummer	
Kjøpsdato	
Kjøpssted	
For oljetype , se avsnittet "Fyll på olje". For drivstofftype , se avsnittet "Fyll på drivstoff".	

Gjør deg selv kjent med følgende symboler. Sikkerhetssymbolet og nøkkelordene er sikkerhetsadvarsler. Følg alle sikkerhetsmeldinger for å unngå ulykker eller personskade.

DANGER

FARE indikerer en farlig situasjon som, hvis den ikke unngås, **vil** føre til død eller alvorlig personskade.

WARNING

ADVARSEL indikerer en farlig situasjon som, hvis den ikke unngås, **kan** føre til død eller alvorlig personskade.

CAUTION

FORSIKTIG indikerer en farlig situasjon som, hvis den ikke unngås, **kan** føre til en mindre eller moderat personskade.

CAUTION

FORSIKTIG brukt uten symbolet for sikkerhetsvarsel indikerer en potensielt farlig situasjon, som hvis den ikke unngås, **kan** føre til skade på eiendom.

NOTE

Dersom du har spørsmål angående generatoren din, kan vi bistå. Kontakt din lokale forhandler.

SAFETY RULES

WARNING

Les denne håndboken grundig før du tar i bruk generatoren din. Unnlater du å følge instruksjonene kan det føre til alvorlig personskade eller død.

WARNING

Motoravgassene fra dette produktet inneholder kjemikalier som er kjent for å forårsake alvorlige helseproblemer og død.

DANGER

Generatoreksos inneholder karbonmonoksid, en fargeløs, luktfri og giftig gass. Innånding av karbonmonoksid vil føre til kvalme, svimmelhet, besvimelse eller død. Hvis du begynner å føle deg svimmel eller svak, kom deg til frisk luft umiddelbart.

Generatoren skal kun brukes utendørs, på et godt ventilert område.

IKKE bruk generatoren inne i eventuelle bygninger, inkludert garasjer, kjellere, krypkjellere og skur, lukkede rom eller liknende. Dette gjelder også generatorrommet i campingbiler.

IKKE la eksosgasser trenge inn i trange rom via vinduer, dører, ventilasjonsluker eller andre åpninger.

FARE KARBONMONOKSID: Å bruke en generator innendørs **KAN TA LIVET AV DEG I LØPET AV MINUTTER.**

DANGER

Roterende deler kan ta tak i hender, føtter, hår, klær og/eller tilbehør. Det kan føre til alvorlige sårskader eller amputasjon.

Hold hender og føtter vekk fra roterende deler.

Sett opp langt hår og fjern smykker.

Utstyret skal bare brukes med vern montert.

IKKE ha på deg løstsittende plagg, hengende snorer eller ting som kan bli fanget.

DANGER

Generatoren produserer kraftig spenning.

IKKE berør uisolerte ledninger eller kontakter. IKKE bruk elektriske ledninger som er slitt, skadet eller frynsete.

IKKE bruk generatoren i fuktig vær.

IKKE la barn eller ukvalifisert personell betjene eller vedlikeholde generatoren

Bruk en jordfeilbryter (GFCI) i fuktige områder og områder som inneholder ledende materiale, slik som metalldekke.

Bruk godkjent overføringsutstyr til å isolere generatoren fra strømmettet, og gi beskjed til nettselskapet ditt før du kobler generatoren til strømsystemet ditt.

WARNING

Gnister kan forårsake brann eller elektrisk støt.

Ved service på generatoren:

Koble fra tennpluggkabelen og plasser den et sted der den ikke kan komme i kontakt med pluggen.

IKKE se etter gnist med tennpluggen tatt av.

Bruk bare godkjente tennpluggtestere.

WARNING

Motorer som går produserer varme. Alvorlige brannskader kan oppstå ved kontakt.

Brennbare materialer kan ta fyr ved kontakt.

IKKE berør varme overflater.

Unngå kontakt med varme avgasser.

La utstyret avkjøles før berøring.

Sørg for å holde minst 1 meters klaring på alle sider for å sikre tilstrekkelig kjøling.

Sørg for å holde minst 1,5 meters avstand til brennbare materialer.

WARNING

Medisinsk bruk.

Ved nødstilfelle, ring nødetatene umiddelbart.

ALDRI bruk dette produktet til å forsyne livreddende utstyr eller redningsapparater med strøm.

ALDRI bruk dette produktet til å forsyne medisinsk utstyr med strøm.

Informér strømleverandøren din umiddelbart hvis du eller andre i husholdningen din er avhengig av elektrisk utstyr for å holde seg i live.

Informér strømleverandøren din umiddelbart dersom tap av strøm fører til at du eller andre i husholdningen din kan få et medisinsk nødstilfelle.

DANGER

Drivstoff og dampen fra dette er svært lettantennelig og ekstremt eksplosivt. Brann eller eksplosjon kan føre til alvorlige brannskader eller død. Utsiktet oppstart kan føre til sammenfiltring, amputasjon eller sårskader.

Ved påfylling eller fjerning av drivstoff:

Slå av generatoren og la den avkjøle seg i minst to minutter før bensinlokket fjernes. Løsne lokket sakte for å slippe ut trykket i tanken.

Det skal bare fylles eller tappes bensin på steder som er godt ventilert.

IKKE fyll bensin direkte på generatoren fra bensinstasjonen. Bruk en godkjent beholder til å fylle drivstoff på generatoren.

IKKE fyll for mye på bensintanken.

Drivstoff skal alltid holdes vekk fra gnister, åpne flammer, gassbrennere, varme og andre antennelseskilder.

IKKE tenn opp eller røyk sigaretter.

Ved oppstart av generatoren:

IKKE forsøk å starte en skadet generator.

Påse at bensinlokket, luftfilteret, tennpluggen, drivstoffslangene og eksossystemet er på plass.

Sørg for at bensinsøl får tid til å fordampe fullstendig før motoren blir forsøkt startet.

Forsikre deg om at generatoren står på et jevnt underlag.

Ved bruk av generatoren:

IKKE beveg eller velt generatoren under drift.

IKKE velt generatoren eller søl bensin eller olje.

Ved transport eller service på generatoren:

Sørg for at drivstoffventilen står i AV-posisjon og at bensintanken er tom.

Koble fra tennpluggkabelen.

Ved oppbevaring av generatoren:

Oppbevares vekk fra gnister, åpne flammer, gassbrennere, varme og andre antennelseskilder.

WARNING

Drift av dette utstyret kan skape gnister som kan starte brann i tørr vegetasjon.

En gnistfanger kan være påkrevd. Brukeren bør kontakte det lokale brannvesenet for opplysninger om lover eller forskrifter relatert til brannvernstiltak.

WARNING

Rask tilbaketrekking av startsnoren trekker hånd og arm mot motoren raskere enn du klarer å slippe. Utsiktet oppstart kan føre til alvorlig skade. Det kan føre til brukne bein, frakturer, blåmerker eller forstuinger.

Ved start av motoren, dra startsnoren sakte til motstand dannes, trekk deretter raskt for å unngå tilbakeslag.

IKKE start eller stopp motoren med elektriske apparater tilkoblet.

CAUTION

Overskridelse av generatorens driftskapasitet kan skade generatoren og/eller eventuelle elektriske apparater som er koblet til den.

IKKE overbelast generatoren.

Start generatoren og la motoren stabilisere seg før tilkobling av elektrisk belastning.

Koble til elektrisk utstyr i avslått posisjon, slå det deretter på for å bruke det.

Slå elektrisk utstyr av før generatoren stoppes.

IKKE tukle med den innstilte hastigheten.

IKKE modifierer generatoren på noen som helst måte.

CAUTION

Feil behandling eller bruk av generatoren kan skade den, redusere levetiden eller gjøre at garantien blir ugyldig.

Generatoren skal bare brukes til tiltenkt bruk.

Den skal bare brukes på jevne overflater.

IKKE utsett generatoren for overdrevne mengder fukt, støv eller smuss.

IKKE la noe blokkere kjølespaltene.

Hvis tilkoblede apparater overopphetes, slå dem av og koble dem fra generatoren.

IKKE bruk generatoren hvis:

- Elektrisk utgangsspenning forsvinner
- Utstyret gnistrer, begynner å ryke eller avgir flammer
- Utstyret vibrerer overdrevent

NO

ASSEMBLY

Generatoren din krever noe montering. Enheten leveres fra fabrikkens vår uten olje. Den må ha drivstoff og olje før den tas i bruk.

Dersom du har noen spørsmål om montering av generatoren din, kontakt den lokale forhandleren. Sørg for å ha serienummeret og modellnummeret tilgjengelig.

Fjern generatoren fra esken den ble levert i.

1. Plasser esken på et solid, flatt underlag.
2. Fjern alt fra esken unntatt generatoren.
3. Skjær forsiktig hvert hjørne av esken fra topp til bunn. Brett hver av sidene flatt ned på underlaget for å få et underlag som du kan montere hjulsettet og støttebeinet på.

Installasjon av hjulsettet (tilleggsutstyr)

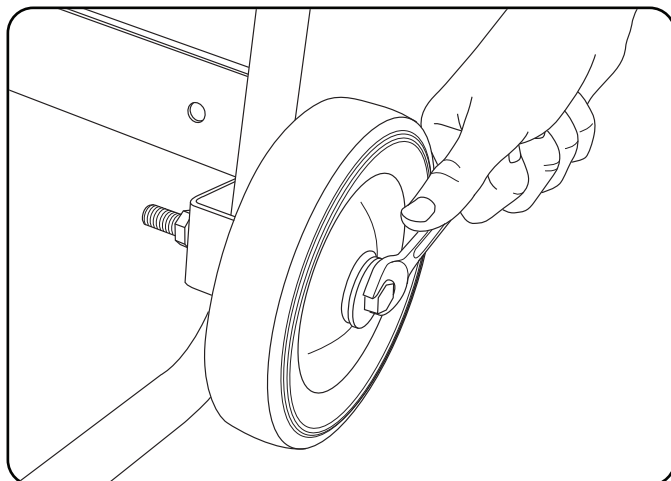
! CAUTION

Hjulsettet er ikke ment for bruk på vei.

Du trenger følgende verktøy for å installere hjulene:

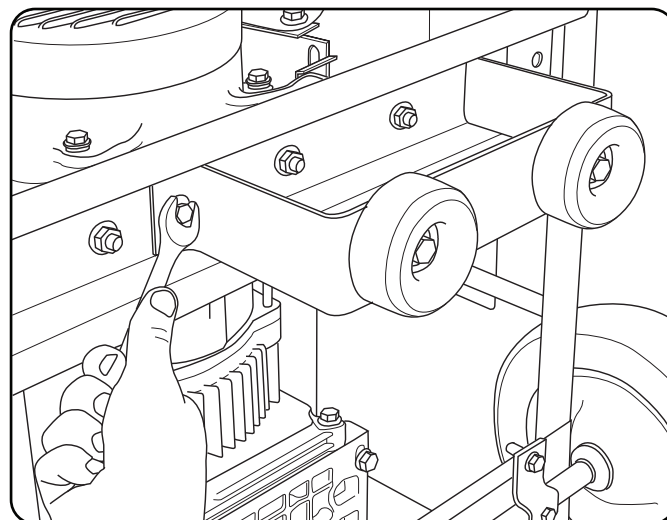
- 17 mm fastnøkkel ELLER skiftenøkkel (ikke inkludert)
- Pipenøkkel med en 16 mm pipe (ikke inkludert)
- Tenger (ikke inkludert)

1. Legg generatoren over på siden før påfylling av drivstoff og olje.
2. Tre flensbolten av typen M10x120 gjennom skiven, hylsen og hjulet.
3. Skyv bolten gjennom monteringspunktet på rammen.
4. Fest med låsemutteren (M10).
5. Gjenta trinn 2-4 for å feste det andre hjulet.



Installering av støttebeinet

1. Fest vibrasjonsfestene til støttebeinet med en flensbolt i størrelsen M8 x 25 og låsemuttere med flens.
2. Fest støttebeinet til generatorrammen med flensbolter i størrelse M8 x 16 og låsemuttere med flens. Stram godt. IKKE trekk til låsemutterne for mye.
3. Tipp generatoren sakte slik at den hviler på hjulene og støttebeinet



Tilkobling av batteriet (kun modeller med elektrisk start)

1. Fjern beskyttelsesdekslet fra den røde (+) ledningen på batteriet.
2. Fest den røde (+)ledningen til den røde (+) terminalen på batteriet med hetteskruen (M5x10) og sikre med låseskiven.
3. Gjenta trinn 1-2 for den sorte (-) batteriledningen.

Fyll på motorolje

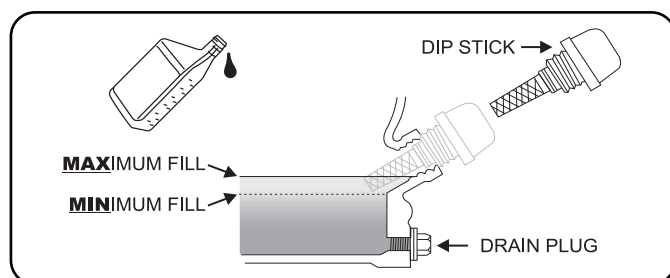
! CAUTION

IKKE prøv å sveive eller starte motoren før den er korrekt fylt opp med anbefalt type og mengde olje. Skade på generatoren som følge av unnlattelse i å følge disse instruksjonene ugyldiggjør garantien din.

NOTE

Anbefalt oljetype er bilolje av typen 10W-30.

1. Plasser generatoren på et flatt, jevnt underlag.
2. Fjern oljepåfyllingslokket/peilepinnen for å fylle på olje.
3. Fyll på olje og sett på oljepåfyllingslokket/peilepinnen igjen. IKKE FYLL FOR MYE.
4. Kontroller motorens oljenivå daglig og etterfyll ved behov.



NOTE

Når olje er fylt på, skal det gjøres en visuell sjekk. Den skal vise olje omtrent 1-2 gjenger ned i påfyllingshullet. Hvis det benyttes en peilepinne til å kontrollere oljenivået, IKKE skru inn peilepinnen når du sjekker.

CAUTION

Motoren er utstyrt med oljevakt for lavt oljenivå, og slår seg av når oljenivået i veivhuset synker under terskelnivået.

Fyll på motorolje (fortsett)

NOTE

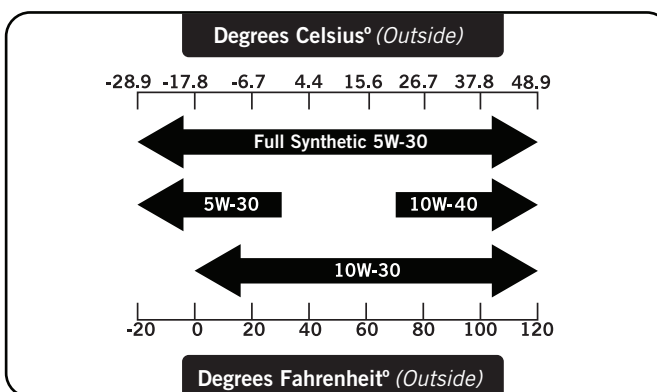
Kontroller oljen ofte i innkjøringsperioden. Se i avsnittet for vedlikehold for anbefalte serviceintervaller.

NOTE

Generatorens rotor har et forseglet, forhåndssmørt kulelager som ikke trenger mer smøring i hele lagerets levetid.

NOTE

Vi anser de første 5 driftstimene som innkjøringstiden for enheten. I innkjøringsperioden skal kraftuttaket ligge på eller under 50 %. Varier belastningen innimellom for at statorviklingene får varmet og avkjølt seg. Justering av belastningen gjør også at motorhastigheten varierer og bidrar til at stempelringene setter seg. Etter at innkjøringstiden på 5 timer er over, bytt oljen.



NO

NOTE

Værforholdene påvirker motoroljen og motorens ytelse. Bytt motoroljetype avhengig av værforhold, slik at motorens behov ivaretas.

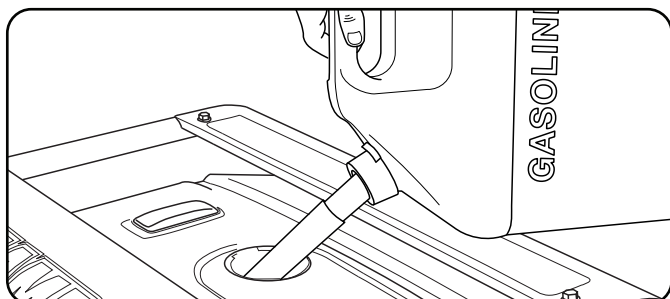
NOTE

Syntetisk olje kan brukes etter den første innkjøringstiden på 5 timer. Bruk av syntetisk olje øker ikke den anbefalte intervalltiden for oljeskift. Fullsyntetisk olje av typen 5W-30 gir starthjelp i kalde omgivelsestemperaturer <5° C (41° F).

ASSEMBLY

Drivstoffpåfylling

1. Bruk ren, fersk vanlig blyfri bensin med et oktantal på minimum 85 og et etanolinnhold som er mindre enn 10 %, målt etter volum.
2. IKKE bland olje med drivstoff.
3. Rengjør området rundt påfyllingslokket.
4. Fjern påfyllingslokket.
5. Fyll drivstoff sakte på tanken. IKKE FYLL FOR MYE. Drivstoff kan ekspandere etter påfylling. Minimum ¼ tomme (6,4 mm) med ledig plass i tanken kreves for at bensinen skal kunne utvide seg, det anbefales imidlertid mer enn ¼ tomme (6,4 mm). Drivstoff kan tvinges ut av tanken som en konsekvens at det fylles for mye. Dette kan påvirke produktets stabile driftsvilkår. Ved fylling av tanken anbefales det å la det være nok plass til at bensinen kan utvide seg.



6. Skru på drivstoffpåfyllingslokket og tørk av eventuelt drivstoffsøl.

! CAUTION

Bruk vanlig blyfri bensin med et oktantal på minimum 85.

IKKE bland olje og bensin.
Fyll tanken til omtrent ¼ tomme (6,4 mm) under toppnivå i tanken. Dette gjør at bensinen kan utvide seg.
IKKE fyll bensin direkte på generatoren fra bensinstasjonen. Bruk en godkjent beholder til å fylle drivstoff på generatoren.
IKKE fyll drivstofftanken innendørs.
IKKE fyll drivstofftanken mens motoren går eller er varm.
IKKE fyll for mye på bensintanken.
IKKE tenn opp sigaretter eller røyk ved fylling av drivstofftanken.

! WARNING

Helling av drivstoff for raskt gjennom bensinsilen kan føre til tilbakeslag av drivstoff i retning av brukeren.

Påfylling av drivstoff (fortsett)

NOTE

Motorene våre fungerer godt med drivstoff som er blandet med 10 % eller mindre etanol. Ved bruk av drivstoff blandet med etanol er det noen ting man må huske på:

- Bensin blandet med etanol kan absorbere mer vann enn ren bensin.
- Disse blandingene kan til syvende og sist skille seg og etterlate vann eller en vannaktig guffe i tanken, bensinventilen og forgasseren.
- Med falltilførsel kan det ødelagte drivstoffet trekkes inn i forgasseren og forårsake skade på motoren og/eller føre til potensielle farer.
- Det er bare noen få leverandører som produserer drivstoffstabilisatorer som er laget for å fungere sammen med bensin-etanolblandinger.
- Eventuelle skader eller farer som oppstår ved bruk av feil drivstoff, drivstoff som er lagret feil, og/eller feilproduserte stabilisatorer dekkes ikke av produsentens garanti.

Det er tilrådelig å alltid slå av drivstofftilførselen, kjøre motoren til den stopper og tømme tanken når utstyret ikke skal brukes på mer enn 30 dager.

Jording

Generatoren din må kobles til en jording for å hindre elektrisk støt.

! WARNING

Å unnlate å jorde generatoren skikkelig kan føre til elektrisk støt.

Et jordingspunkt koblet til generatorens ramme er montert på strømpanelet. For fjernjording kobles det til en grov kobberkabel (12 AWG minimum) mellom jordingspunktet på generatoren og et kobberspyd som er stukket i jorden. Vi anbefaler på det sterkeste at du kontakter en kvalifisert elektriker for å sikre samsvar med lokale elektriske forskrifter.

Generatorens plassering

Bruk aldri generatoren inne i bygninger! (Se avsnittet med sikkerhetsadvarsler). I noen områder må generatorer være registrert hos det lokale strømselskapet. Generatorer som brukes på byggeplasser kan være underlagt lokale regler og forskrifter. La den stå på et flatt, jevnt underlag. Generatorer skal ha minst 5 fot (1,5 meters) klaring til alle brennbare materialer. I tillegg må de ha minst 3 fot (91,4 cm) klaring på alle sider for tilstrekkelig kjøling, vedlikehold og service. Generatorer skal aldri startes eller brukes på steder der det ikke er tilstrekkelig kjøling for generatoren og/eller eksosanlegget.. La generatorer avkjøle seg før lagring og transport. Ikke plasser generatoren i nærheten av ventilasjonsluker eller inntak. Ta hensyn til vind og luftstrømmer ved plassering av generatoren.

Unnlattelse i å følge sikkerhetsforskriftene kan ugyldiggjøre produsentens garanti.

WARNING

Ikke bruk eller oppbevar generatoren i regn, snø, eller fuktig vær.

Bruk av en generator eller et elektrisk apparat i fuktige forhold, slik som regn eller snø, i nærheten av et basseng eller et sprinklersystem, eller der hendene dine er våte, kan føre til elektrisk støt.

WARNING

Under drift blir eksosanlegget og avgassene som produseres varme. Hvis ikke kjøling og lufting er tilstrekkelig, eller hvis generatoren blir blokkert eller stengt inne, kan temperaturen bli ekstremt opphetet, noe som kan føre til brann

Jording

Generatorsystemets jording kobler rammen til jordingskontaktene på strømpanelet.. Systemjordingen er koblet til den nøytrale AC-ledningen.

Overspenningsvern

CAUTION

Spenningsvingninger kan svekke funksjonen til sensitivt elektronisk utstyr.

Elektroniske apparater, inkludert datamaskiner og mange programmerbare apparater, bruker komponenter som er designet for å fungere innenfor et smalt spenningsområde og kan bli påvirket av øyeblikkelige spenningsvariasjoner. Selv om det ikke er noen måte å forhindre spenningsvingninger på, kan du ta noen grep for å beskytte sensitivt elektronisk utstyr.

1. Installer UL1449, CSA-godkjente, overspenningsdempere på koblingsuttakene som gir strøm til det følsomme utstyret ditt.

Overspenningsdempere leveres både til enkeltstikk og til flere. De er utformet for å beskytte mot praktisk talt alle kortvarige spenningsvingninger.

Start av motoren

1. Sørg for at generatoren står på et flatt, jevnt underlag.
2. Koble alle elektriske belastninger fra generatoren. Aldri start eller stopp generatoren med elektriske apparater tilkoblet eller slått på.
3. Vri drivstoffventilen til "PÅ"-posisjon.
4. Flytt chokehendelen til "CHOKE"-stillingen.
5. Vipp tenningsbryteren til "PÅ"-posisjon.
6. For modeller som har ELEKTRISK START: Trykk og hold inne tenningsbryteren i "START"-posisjon. Slipp når motoren starter. Hvis motoren ikke starter innen fem sekunder, slipp bryteren og vent minst ti sekunder før du prøver å starte motoren igjen.
7. SNORSTART: Dra startsnoren sakte til motstand dannes, trekk deretter raskt.
8. Ikke gi for mye choke. Så snart motoren starter, flytter du chokespaken til "RUN"-posisjonen.

NO

OPERATION

Start av motoren (fortsatt)

NOTE

Ikke ha chokehendelen i "CHOKE"-posisjon mer enn ett trekk i startsnoren. Etter det første draget, flytt chokehendelen til "Run"-posisjon de neste 3 dragene i snorstarten. For mye choke gjør at motoren ikke vil starte.

NOTE

Hvis motoren starter, men ikke fortsetter å gå, sørg for at generatoren står på et flatt, jevnt underlag. Motoren er utstyrt med en sensor for lavt oljenivå. Denne hindrer motoren fra å starte hvis oljenivået faller under en kritisk terskelgrense.

NOTE

Når batteribryteren er i "PÅ"-stilling, lyser bryteren hvis batteriet sender ut spenning. Hvis lyset ikke lyser mens bryteren står i "PÅ"-stilling, kontroller batteritilstanden.

NOTE

Det medfølgende 12V 15AH-batteriet lader seg opp mens motoren går, men det anbefales også at batteriet lades helt opp minst en gang i måneden.

Tilkobling av elektriske belastninger

1. La motoren stabilisere seg og varmes opp et par minutter etter oppstart.
2. Koble til og slå på ønsket elektrisk belastning på 120/240 AC i enkeltfase på 50 Hz.
 - IKKE koble 3-fasede belastninger til generatoren.
 - IKKE koble belastninger på 60 hertz til generatoren.
 - IKKE overbelast generatoren.

Tilkobling av elektriske belastninger (fortsatt)

NOTE

Tilkobling av en generator til kraftselskapets nett eller til en annen strømkilde kan stride mot lovverket. I tillegg kan denne handlingen, hvis den utføres på feil måte, skade generatoren din og apparatene dine, og forårsake alvorlig skade og død for deg eller en en ansatt i strømselskapet som jobber på kraftlinjer i nærheten. Hvis du har planer om å bruke en elektrisk generator ved et strømbrudd, gi beskjed til strømselskapet ditt umiddelbart og husk å koble apparatene dine rett inn i generatoren. Ikke koble generatoren til eventuelle stikkontakter i hjemmet ditt. Dette kan føre til at du kobler deg til strømselskapets kraftlinjer. Du er ansvarlig for å påse at elektrisiteten som generatoren din produserer ikke mates tilbake i strømmettet. Dersom generatoren skal kobles til det elektriske anlegget i en bygning, kontakt det lokale strømselskapet eller en kvalifisert elektriker. Koblingene må isolere generatorstrømmen fra strømmettet og må overholde alle gjeldende lover og forordninger.

Stoppe motoren

1. Slå av og koble fra alle elektriske belastninger. Aldri start eller stopp generatoren med elektriske apparater tilkoblet eller slått på.
2. La generatoren gå uten belastning i noen minutter for å stabilisere den innvendige temperaturen på motoren og generatoren.
3. Vri drivstoffventilen til "AV"-posisjon.
4. La motoren gå til den stopper på grunn av drivstoffmangel. Dette tar som regel et par minutter.
5. Skyv tenningsbryteren til "AV"-posisjon.

Viktig: Påse alltid at drivstoffventilen og tenningsbryteren er i "AV"-posisjon når motoren ikke er i bruk.

NOTE

Hvis generatoren ikke skal brukes i mer enn to (2) uker eller mer, se avsnittet for lagring for riktig lagring av motor og drivstoff.

Ikke overbelast generatoren

Kapasitet

Følg disse enkle trinnene for å beregne drifts- og oppstartswatt til dine behov:

1. Velg de elektriske apparatene du skal bruke samtidig.
2. Slå sammen wattstyrken på disse. Dette er den mengden strøm du trenger for å holde enhetene dine i gang.
3. Kartlegg høyeste oppstartswatt fra alle enheter i trinn 1. Legg dette tallet til antallet beregnet i trinn 2. Oppstartswatt er den ekstra kraften som trengs akkurat i det øyeblikket enkelte elektriske apparater starter opp. Ved å følge trinnene som er listet opp under "Strømstyring" garanteres det at bare en enhet starter av gangen.

Strømstyring

Bruk følgende formel til å konvertere volt og ampere til watt:

$$\text{Volt} \times \text{ampere} = \text{Watt}$$

For å forlenge levetiden til generatoren din og de tilkoblede enhetene, følg disse trinnene for å legge til elektrisk belastning:

1. Start generatoren uten noen elektriske belastninger tilkoblet
2. La motoren gå i noen minutter slik at den får stabilisert seg.
3. Koble til og slå på det første apparatet. Det er best å koble til det apparatet som har den største belastningen først.
4. La motoren stabilisere seg.
5. Koble til og slå på det neste apparatet.
6. La motoren stabilisere seg.
7. Gjenta trinnene 5-6 for hvert ekstra apparat.

NOTE

Aldri overskrid den spesifiserte kapasiteten når generatoren belastes.

Drift i stor høyde

Vær oppmerksom på at motorytelsen kan reduseres og avgassutslippet kan øke ved arbeid i stor høyde. Andre problemer som kan oppstå i stor høyde er startvansker, økt bensinforbruk og svikt i tennpluggen. Dette er naturlig og kan ikke endres på ved å justere på motoren.

MAINTENANCE AND STORAGE

Eieren/brukeren er ansvarlig for alt periodisk vedlikehold. Utfør alt planlagt vedlikehold på riktig måte. Korrigjer

! WARNING

Aldri bruk en skadet eller defekt generator.

! WARNING

Tukling med den fabrikkinnstilte styringen for blanding av luft og drivstoff ugyldiggjør garantien din.

! WARNING

Feil vedlikehold gjør garantien din ugyldig.

NOTE

Vedlikehold, utskiftning eller reparasjon av styringsenheter for avgassutslipp og systemer kan utføres av alle motorverksteder eller individer som ikke driver med kjøretøy.

eventuelle feil før generatoren tas i bruk.

Motorvedlikehold

For å forhindre utilsiktet start, fjern og koble tennpluggen til jord før eventuell service utføres.

Olje

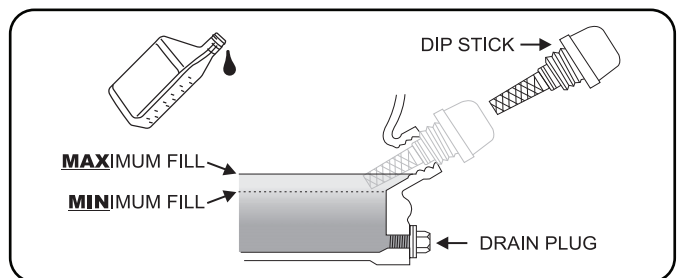
Bytt olje når motoren er varm. Se på oljespesifikasjonen for å velge riktig oljeviskositet til akkurat ditt driftsmiljø.

1. Fjern oljetappepluggen med en 15 mm pipe og forlenger (ikke inkludert).
2. La oljen kan tømmes helt.
3. Sett inn tappepluggen igjen.
4. Fjern oljepåfyllingslokket/peilepinnen for å fylle på olje.
5. Fyll på olje og sett på oljepåfyllingslokket/peilepinnen igjen. IKKE FYLL FOR MYE.
6. Avhend brukt olje på et godkjent oppsamlingssted.

Olje (fortsett)

NOTE

Når olje er fylt på, skal det gjøres en visuell sjekk. Den skal vise olje omtrent 1-2 gjenger ned i påfyllingshullet. Hvis det benyttes en peilepinne til å kontrollere oljenivået, IKKE skru inn peilepinnen når du sjekker.



Tennplugger

1. Fjern pluggledningen fra tennpluggen.
2. Fjern pluggen.
3. Undersøk elektroden på pluggen. Den skal være ren og ikke slitt for å lage gnisten som kreves for tenning.
4. Se på tennplugginformasjonen som finnes på "spesifikasjon"-siden for denne modellen.
5. Skru pluggen forsiktig inn i motoren.
6. Bruk pluggnøkkelen (medfølger ikke) til å stramme pluggen med.
7. Fest pluggledningen på tennpluggen.

Luftfilter

1. Fjern klipsdekslet som holder luftfilteret i kassetten.
2. Ta ut skumelementet.
3. Vask i flytende rengjøringsmiddel og vann. Klem det helt tørt i en ren klut.
4. Dynk det i ren motorolje.
5. Klem det i en ren, absorberende klut for å fjerne all overflødig olje.
6. Sett filteret tilbake på plass.
7. Sett på luftfilterdekslet igjen og trykk det på plass.

Gnistfanger

1. La motoren avkjøle seg fullstendig før det utføres service på gnistfangeren.
2. Fjern skruene som holder dekselet som fester enden av gnistfangeren til eksosanlegget.
3. Fjern duken fra gnistfangeren.
4. Fjern forsiktig karbonavleiringene fra gnistfangerduken med en stålbørste.
5. Bytt ut gnistfangeren hvis den er skadet.
6. Sett gnistfangeren på eksosanlegget og fest med de tre skruene.

! CAUTION

Ved å unnlate å rengjøre gnistfangeren reduseres motorens ytelse.

NOTE

Føderale og lokale lover og administrative krav indikerer når og hvor gnistfangerer er påkrevd.

Rengjøring

! CAUTION

IKKE sprut vann på motoren.

Vann kan forurense drivstoffsystemet.

Bruk en fuktig klut for å rengjøre de utvendige flatene på motoren.

Bruk en børste med myk bust til å fjerne smuss og olje. Bruk en luftkompressor (25 PSI) til å fjerne smuss og rusk fra motoren.

Justeringer

Blanding av luft og drivstoff er ikke justerbar. Tukling med styringen for blanding av luft og drivstoff kan skade generatoren og de elektriske apparatene din, og ugyldiggjør garantien din. CPE anbefaler at du kontakter den lokale forhandleren din for all annen service og/eller justeringsbehov.

Vedlikeholdsplan

Følg serviceintervallene som er indikert på følgende vedlikeholdsplan.

Ta service hyppigere på generatoren din når den brukes under ugunstige forhold.

Hver 8. time eller daglig	
	Sjekk oljenivået
	Rengjør rundt luftinntaket og eksosanlegget
De første 5 timene	
	Bytt olje
Hver 50. time eller hver sesong	
	Rengjør luftfilteret
	Bytt olje ved høy belastning eller ved bruk i varme omgivelser
Hver 100. time eller hver sesong	
	Bytt olje
	Rens/juster tennpluggen
	Kontroller/juster ventilklaringen*
	Rengjøring av gnistfanger
	Rengjøring av bensintank og filter*
Hver 250. time	
	Rengjøring av forbrenningskammer*
Hvert 3. år	
	Skift ut drivstoffslangen

*Skal utføres av kunnskapsrike, erfarne eiere eller CPE-sertifiserte servicesentre.

Vedlikehold av generatoren

Sørg for at generatoren holdes ren og lagres riktig. Enheten skal bare brukes på et flatt, jevnt underlag i et rent, tørt driftsmiljø. IKKE utsett enheten for ekstreme forhold, overdrevne støvmengder, smuss, fukt eller etsende damp.

! CAUTION

IKKE bruk hageslangen til å rengjøre generatoren med.

Vann kan trenge inn i generatoren via kjølespaltene og skade generatorviklingene.

Bruk en fuktig klut for å rengjøre de utvendige flatene på generatoren.

Bruk en børste med myk bust til å fjerne smuss og olje. Bruk en luftkompressor (25 PSI) til å fjerne smuss og rusk fra generatoren.

Inspiser alle luftventiler og kjølespalter for å sikre at de er rene og ikke tilstoppet av noe.

NO

MAINTENANCE AND STORAGE

Lagring

Generatoren skal startes minst en gang hver 14. dag og la den gå i minst 20 minutter. For langtidslagring, følg disse retningslinjene.

Lagring av generatoren

1. Fyll en drivstoffstabilisator som er riktig formulert på tanken.
2. Sørg for at alle apparater er koblet fra generatoren.
3. Kjør generatoren i et par minutter slik at det behandlede drivstoffet går gjennom drivstoffsystemet og forgasseren.
4. Vri drivstoffventilen til "Av"-posisjon.
5. La generatoren gå til den stopper på grunn av drivstoffmangel. Dette tar som regel et par minutter.
6. Generatoren må avkjøles helt før rengjøring og lagring.
7. Rengjør generatoren i henhold til avsnittet om vedlikehold.
8. Bytt oljen.
9. Fjern tennpluggen og hell omtrent 14,8 ml (2/14 unse) med olje inn i sylindren. Sveiv motoren sakte for å fordele oljen og smøre sylindren.
10. Sett på tennpluggen igjen.
11. Oppbevar enheten på et rent, tørt sted, skjermet mot direkte sollys.

Batteri

Noen rammegeneratorene er utstyrt med en automatisk batteriladekrets. Batteriet tar i mot ladepening mens motoren går. Batteriet opprettholder riktig lading hvis enheten brukes regelmessig (omtrent en gang annenhver uke). Hvis det brukes sjeldnere, bør batteriet kobles til en vedlikeholdslader eller batterilader for å holde batteriet tilstrekkelig oppladet. Hvis batteriet ikke er i stand til å starte motoren, kan det startes ved å trekke manuelt i snorstarten. Hvis batterispenningen er ekstremt lav, kan det hende at batteriladekretsen ikke er i stand til å lade opp batteriet. Hvis så er tilfelle, må batteriet kobles til en standard billader for opplading før det kan brukes.

Lading av batteriet

For en generator utstyrt med batterier for elektrisk start, bør prosedyrer for riktig batterivedlikehold og lagring følges. En automatisk batterilader (ikke inkludert) med automatisk vedlikeholdslading bør brukes til å lade batteriet. Maksimal lading bør ikke overskride 1,5 ampere. Følg instruksjonene som følger med batteriladeren. Batteriet skal lades helt opp minst en gang i måneden.

NOTE

En vedlikeholdslader opprettholder batteriets tilstand over lengre lagringsperioder.

Frakobling av batteriet

1. Fjern beskyttelsesdekselet fra den sorte/negative ledningen på batteriet.
2. Koble fra den sorte/negative ledningen fra den sorte/negative terminalen på batteriet og legg hetteskruen og mutteren til side.
3. Gjenta trinn 1-2 for den røde/positive batteriledningen.
4. Lagre batteriet på et kjølig, tørt sted.

⚡ DANGER

Generatoreksos inneholder karbonmonoksid, en fargeløs og luktfri gass.

For å hindre at din generator med elektrisk start ikke tenner utilsiktet ved lagring, bør følgende forhåndsregler følges:

- Ved lagring av generatoren i kortere tidsperioder, sørg for at tenningsbryteren og drivstoffventilen er i AV-stilling.
- Ved lagring av generatoren i lengre tidsperioder, sørg for at tenningsbryteren og drivstoffventilen er i AV-stilling, og at ledningene er koblet fra batteriet.

Problem	Årsak	Løsning
Generatoren starter ikke	Ikke noe drivstoff	Fyll på drivstoff
	Svikt i tennplugg	Skift ut tennpluggen
	Enhet belastet under oppstart	Fjern belastning fra enheten
Generatoren starter ikke: Generatoren starter, men går ujevnt.	Lavt oljenivå.	Fyll veivhuset til riktig nivå.
		Plasser generatoren på et flatt, jevnt underlag.
	Choken er i feil posisjon.	Juster choken.
	Pluggkabelen er løs.	Fest ledningen til tennpluggen.
Generatoren starter ikke:	Generatorbatteri er dødt	Lad opp generatorbatteriet
Generatoren slår seg av under drift.	Tomt for drivstoff	Fyll tanken med drivstoff.
	Lavt oljenivå.	Fyll veivhuset til riktig nivå. Plasser generatoren på et flatt, jevnt underlag.
Generatoren klarer ikke å levere nok strøm eller den overopphetes	Generatoren er overbelastet.	Se over belastningen og juster. Se "Strømstyring"
	Utilstrekkelig ventilasjon	Se etter luftblokkeringer. Flytt til et område med god ventilasjon
Ingen AC-strøm	Kabel ikke skikkelig tilkoblet	Kontroller alle tilkoblinger
	Tilkoblet enhet er defekt	Skift ut defekt enhet
	Effektbryter er åpen	Tilbakestill effektbryter
	Feil på børster	Skift ut børster (servicesenter)
	Feil på AVR (auto voltage regulator, automatisk spenningsregulator)	Skift ut AVR (servicesenter)
	Løse kabler	Inspiser og stram kabelkoblinger
	Annet	Kontakt hjelpetelefonen.
Generatoren ruser seg.	Motorstyring defekt.	Kontakt hjelpetelefonen
Gjentatte utslag på effektbryter	Overbelastning	Se over belastningen og juster. Se "Strømstyring"
	Svikt i ledninger eller enhet	Se etter ødelagte, bare, eller frynsete ledninger. Skift ut defekt enhet

INTRODUCTION

Johdanto

Onnea generaattorin hankinnasta. Säilytä nämä ohjeet asianmukaisesti.

Kannettava virtageneraattori

Tämä laite on bensiinimoottorikäyttöinen vaihtovirtageneraattori, jota käytetään sähkön syöttöön.

Varusteet

CPE valmistaa ja toimittaa erilaisia lisävarusteita. Lisätietoja saa paikalliselta jälleenmyyjältä.

Tämä opas

Pidätämme oikeuden muuttaa tai parantaa tuotetta ja tätä käyttöopasta ilman erillistä ilmoitusta

Kirjaa malli- ja sarjanumerot sekä ostopäivä ja -paikka tulevaa tarvetta varten. Pidä nämä tiedot saatavilla osia tilattaessa ja teknisiä tai takuukyselyjä tehtäessä.

Champion Power Equipment -tuki
Mallinumero
Sarjanumero
Ostopäivä
Ostopaikka
<small>Katso öljytyyppi kohdasta "Moottoriöljyn lisääminen". Katso polttoainetyyppi kohdasta "Polttoaineen lisääminen".</small>

Tutustu seuraaviin symboleihin. Turvasymbolit ja avainsanat ovat turvallisuusvaroituksia. Noudata kaikkia turvaohjeita onnettomuuksien tai loukkaantumisten välttämiseksi.

DANGER

VAARA tarkoittaa välitöntä vaaratilannetta, joka **johtaa** kuolemaan tai vakavaan loukkaantumiseen, jos sitä ei vältetä.

WARNING

VAROITUS tarkoittaa mahdollista vaaratilannetta, joka **voi johtaa** kuolemaan tai vakavaan loukkaantumiseen.

CAUTION

HUOMAUTUS tarkoittaa mahdollista vaaratilannetta, joka **voi johtaa** lievään tai kohtalaiseen loukkaantumiseen.

CAUTION

HUOMAUTUS käytettynä ilman turvahälytyssymbolia tarkoittaa mahdollisesti vaarallista tilannetta, joka **voi johtaa** omaisuusvahinkoihin, jos sitä ei vältetä.

NOTE

Jos sinulla on kysymyksiä generaattoristasi, voimme auttaa. Ota yhteyttä paikalliseen jälleenmyyjään.

SAFETY RULES

WARNING

Lue tämä opas huolellisesti ennen generaattorin käyttöä. Ohjeiden noudattamatta jättäminen voi johtaa vakaviin vammoihin tai kuolemaan.

WARNING

Tämän tuotteen moottorin pakokaasut sisältävät kemikaaleja, joiden tiedetään aiheuttavan vakavia terveysongelmia ja jopa kuoleman.

DANGER

Generaattorin pakokaasu sisältää hiilimonoksidia eli häkää, joka on väritöntä ja hajutonta myrkkyaasua. Hiilimonoksidin hengittäminen aiheuttaa pahoinvointia, huimausta, pyörtymisen tai kuoleman. Jos huomaat huimausta tai heikotusta, siirry heti raittiiseen ilmaan.

Käytä generaattoria ulkona hyvin tuulettuvassa tilassa.

ÄLÄ käytä generaattoria rakennuksen sisällä, mukaan lukien autotallit, kellarit, ryömintätilat ja suojat, kotelot tai osastot, mukaan lukien huviajoneuvon generaattoritila.

ÄLÄ päästä pakokaasuja umpinaiseen tilaan ikkunoiden, ovien, tuuletusaukkojen tai muiden aukkojen kautta.

VAARALLISTA HÄKÄÄ: generaattorin käyttö sisätiloissa **VOI TAPPAA MINUUTEISSA.**

DANGER

Pyörivät osat voivat takertua käsiin, jalkoihin, hiuksiin, vaatteisiin ja/tai tarvikkeisiin. Seurauksena voi olla irti repeytyminen tai vakava avohaava.

Pidä kädet ja jalat kaukana pyörivistä osista. Sido pitkät hiukset kiinni ja riisu korut. Käytä laitteita, joissa suojukset ovat paikoillaan. ÄLÄ käytä löysästi istuvia vaatteita, roikkuvia hihnoja tai mitään, mikä voi tarttua kiinni.

DANGER

Generaattori tuottaa tehokasta jännitettä

ÄLÄ kosketa paljaita johtoja tai pistorasioita. ÄLÄ käytä sähköjohtoja, jotka ovat kuluneet, vaurioituneet tai rispaantuneet.

ÄLÄ käytä generaattoria märällä säällä.

ÄLÄ anna lasten tai epäpätevien henkilöiden käyttää tai huoltaa generaattoria.

Käytä vikavirtasuojakytkintä (GFCI) kosteissa ja johtavaa materiaalia sisältävissä tiloissa, kuten metallikansilla.

Käytä hyväksytyjä siirtolaitteita eristämään generaattori sähkölaitteistasi ja ilmoita siitä sähköyhtiöllesi ennen generaattorin kytkemistä sähköjärjestelmään.

WARNING

Kipinät voivat aiheuttaa tulipalon tai sähköiskun.

Generaattoria huollettaessa:

Irrota sytytystulpan johto ja pistoke.

ÄLÄ tarkista kipinää tulpan ollessa irrotettuna.

Käytä vain hyväksytyjä sytytystulppien testilaitteita.

WARNING

Käynnissä olevat moottorit tuottavat lämpöä. Kosketus voi aiheuttaa vakavia palovammoja. Palava materiaali voi syttyä kosketuksesta.

ÄLÄ kosketa kuumia pintoja.

Vältä kosketusta kuumien pakokaasujen kanssa.

Anna laitteen jäähtyä ennen sen koskettamista.

Jätä vähintään 3 jalan (noin 90 cm:n) etäisyys laitteen ympärille ilmankierron varmistamiseksi.

Jätä vähintään 5 jalan (1,5 metrin) etäisyys syttyviin materiaaleihin.

WARNING

Lääketieteelliset ja elämää ylläpitävät käyttötarkoitukset

Soita hätätilanteissa heti hätänumeroon.

ÄLÄ KOSKAAN käytä tätä tuotetta elämän ylläpitämiseen tai tukemiseen tarkoitettujen laitteiden virtalähteenä.

ÄLÄ KOSKAAN käytä tätä tuotetta lääkinnällisten laitteiden tai varusteiden virtalähteenä.

Ilmoita heti sähkötoimittajallesi, jos sinä tai joku kotitaloudestasi olette riippuvaisia sähkölaitteista.

Ilmoita välittömästi sähkötoimittajallesi, jos virran katkeaminen aiheuttaisi sinulle tai kenellekään kotitaloudestasi hätätilanteen.

⚠ DANGER

Polttoaine ja polttoainehöyryt ovat helposti syttyviä ja erittäin räjähtäviä. Tulipalo tai räjähdys voi aiheuttaa vakavia palovammoja tai kuoleman. Tahaton käynnistys voi johtaa kiinni takertumiseen, raajojen irtoamiseen tai avohaavoihin.

Kun lisää tai poistat polttoainetta:

Sammuta generaattori ja anna sen jäähtyä vähintään kaksi minuuttia ennen polttoainesäiliön korkin irrottamista. Avaa korkkia hitaasti paineen vähentämiseksi säiliössä. Täytä tai tyhjennä polttoainetta vain ulkona hyvin tuulettuvassa tilassa. ÄLÄ pumpkaa kaasua huoltoasemalla suoraan generaattoriin. Käytä hyväksyttyä säiliötä polttoaineen siirtämiseksi generaattoriin. ÄLÄ täytä polttoainesäiliötä liikaa. Pidä polttoaine aina suojassa kipinöiltä, avotulelta, merkkivaloilta, lämmöltä ja muista syttymislähteistä. ÄLÄ sytytä tai polta savukkeita.

Generaattoria käynnistettäessä:

ÄLÄ yritä käynnistää vaurioitunutta generaattoria. Varmista, että kaasukorkki, ilmansuodatin, sytytystulppa, polttoaineletkut ja pakojärjestelmä ovat kunnolla paikoillaan. Anna läikkyneen polttoaineen haihtua kokonaan ennen moottorin käynnistämistä. Varmista, että generaattori lepää tiukasti tasaisella pinnalla.

Generaattoria käytettäessä:

ÄLÄ siirrä tai kallista generaattoria käytön aikana. ÄLÄ kallista generaattoria tai anna polttoaineen tai öljyn vuotaa ulos.

Generaattoria kuljettaessa tai huollettaessa:

Varmista, että polttoaineen sulkuventtiili on kiinni ja polttoainesäiliö on tyhjä. Irrota sytytystulpan johto.

Generaattoria varastoitaessa:

Varastoi suojassa kipinöiltä, avotulelta, merkkivaloilta, lämmöltä ja muista syttymislähteistä.

⚠ WARNING

Tämän laitteen käyttö voi aiheuttaa kipinöitä, jotka voivat aiheuttaa tulipalon kuivassa kasvillisuudessa.

Kipinäsuojaa voidaan tarvita. Käyttäjän on otettava yhteyttä paikalliseen palontorjuntaviranomaiseen saadakseen tietoja palontorjuntaa koskevista vaatimuksista.

⚠ WARNING

Käynnistysnarun nopea vetäminen vetää käsiä ja käsivarsia moottoria kohti nopeammin kuin voit vapauttaa narun. Tahaton käynnistäminen voi johtaa vakaviin vammoihin. Seurauksena voi olla luunmurtumia, mustelmia tai nyrjähdyksiä.

Käynnistäessäsi moottoria vedä käynnistysnarusta hitaasti, kunnes tuntuu vastusta, ja vedä sitten narusta nopeasti välttääksesi takaiskun. ÄLÄ käynnistä tai pysäytä moottoria, joka on kytkettynä sähkölaitteisiin.

⚠ CAUTION

Generaattorin käyttökapasiteetin ylittäminen voi vaurioittaa generaattoria ja/tai siihen kytkettyjä sähkölaitteita.

ÄLÄ ylikuormita generaattoria. Käynnistä generaattori ja anna moottorin vakautua ennen sähkökuormien kytkemistä. Kytke sähkölaitteet pois päältä ja kytke ne sitten takaisin päälle. Sammuta sähkölaitteet ennen generaattorin sammuttamista. ÄLÄ peukaloi säädelyä nopeutta. ÄLÄ muuta generaattoria millään tavalla.

⚠ CAUTION

Virheellinen käsittely tai generaattorin käyttö voi vahingoittaa sitä, lyhentää sen käyttöikää ja mitätöidä takuun.

Käytä generaattoria vain sille osoitettuihin käyttötarkoituksiin. Käytä vain tasaisilla pinnoilla. ÄLÄ altista generaattoria liialliselle kosteudelle, pölylle tai lialle. ÄLÄ anna minkään materiaalin tukkia jäähdytysaukkoja. Jos kytketyt laitteet ylikuumenevat, sammuta ne ja irrota ne generaattorista. ÄLÄ käytä generaattoria, jos:

- Sähköä ei synny
- Laite kipinöi, savuaa tai liekehtii
- Laite tärisee voimakkaasti

ASSEMBLY

Generaattori vaatii jonkin verran kokoonpanoa. Tämä yksikkö toimitetaan tehtaalta ilman öljyä. Se on täytettävä asianmukaisesti polttoaineella ja öljyllä ennen käyttöä.

Jos sinulla on kysyttävää generaattorisi kokoonpanosta, ota yhteyttä paikalliseen jälleenmyyjään. Pidä sarjanumero ja mallinumero käsillä.

Poista generaattori pakkauksesta

1. Aseta toimituspakkaus tukevalle, tasaiselle alustalle.
2. Poista pakkauksesta kaikki paitsi generaattori.
3. Leikkaa varovasti laatikon kulmat ylhäältä alas. Taita molemmat sivut tasaisesti maahan, jotta saadaan pinta-alaa pyöräpaketin ja tukijalan asentamiseksi.

Pyöräsarjan (lisävaruste) asentaminen

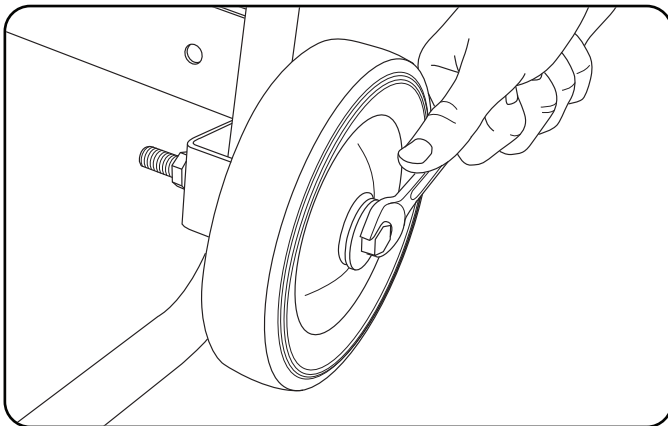
! CAUTION

Pyöräsarjaa ei ole tarkoitettu tiekäyttöön.

Tarvitset seuraavat työkalut pyörien asentamiseen:

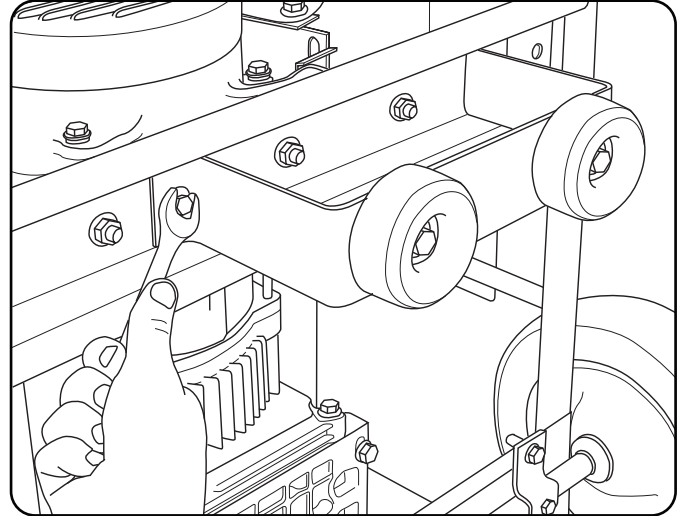
- 17 mm jakoavain TAI säädettävä jakoavain (ei sisälly toimitukseen)
- Räikkäävain 16 mm:n kannalla (ei mukana)
- Pihdit (ei mukana)

1. Ennen kuin lisää polttoainetta ja öljyä, kallista generaattoria kyljelleen.
2. Liu'uta M10x120-laippapultti aluslevyn, holkin ja pyörän läpi.
3. Liu'uta pultti rungon kiinnityskohdan läpi.
4. Kiinnitä tiukasti M10-lukkomutterilla.
5. Toista vaiheet 2–4 toisen pyörän kiinnittämiseksi.



Tukijalan asentaminen

1. Kiinnitä värinätelineet tukijalkaan laippapultilla M8 x 25 ja laipan lukkomuttereilla.
2. Kiinnitä tukijalka generaattorikehykseen laippapulteilla M8 x 16 ja laipan lukkomuttereilla ja kiinnitä kunnolla. ÄLÄ kiristä lukkomuttereita liikaa.
3. Kallista generaattoria hitaasti niin, että se lepää pyörillä ja tukijalalla.



Akun kytkeminen (vain sähköstartilla varustetut mallit)

1. Poista suojakotelo akun punaisesta plusjohdosta (+).
2. Kiinnitä punainen (+) johdin akun punaiseen (+) napaan ruuvilla (M5x10) ja kiinnitä lukkolevyllä (M5).
3. Toista vaiheet 1-2 mustan miinusjohdon (-) kohdalla.

Moottoriöljyn lisääminen

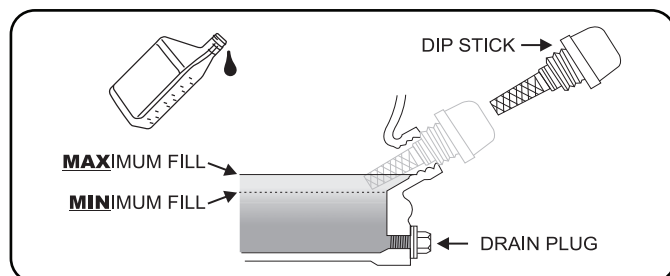
! CAUTION

ÄLÄ yritä pyörittää tai käynnistää moottoria ennen kuin sen öljymäärä on täynnä ja käytä oikeaa, suositeltua tyyppiä. Näiden ohjeiden laiminlyönnistä generaattorille aiheutuvat vauriot mitätöivät takuun.

NOTE

Suosittelemme autojen moottoriöljyä 10W-30.

1. Sijoita generaattori tasaiselle alustalle.
2. Irrota öljytäyttökorkki/mittatikku öljyn lisäämiseksi.
3. Lisää öljy ja aseta öljytäyttökorkki/mittatikku paikalleen. ÄLÄ TÄYTÄ LIIKAA.
4. Tarkista moottoriöljyn taso päivittäin ja lisää tarvittaessa.



NOTE

Kun öljyä on lisätty, silmämääräisessä tarkastuksessa tulee näkyä öljyä noin 1-2 kierteen mitalta täyttöaukosta. Jos käytät mittatikkua öljytason tarkistamiseen, ÄLÄ ruuvaa mittatikkua tarkistuksen aikana.

CAUTION

Moottori sammuu öljyn määrän ollessa liian vähäinen, ja käynti pysähtyy, kun kampikammion öljymäärä laskee alle kynnystason.

Moottoriöljyn lisääminen, jatkoa

NOTE

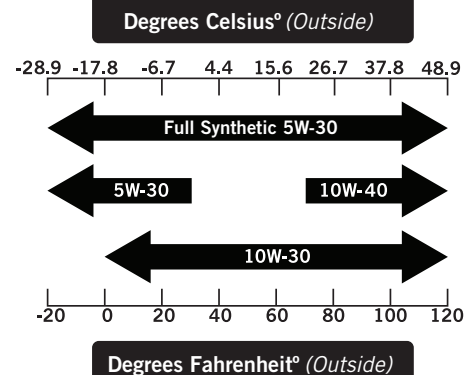
Tarkista öljyt usein sisäänajon aikana. Katso huolto-osioista suositellut huoltovälit.

NOTE

Generaattorin roottorissa on suljettu, esivoideltu kuulalaakeri, joka ei vaadi lisävoitelua koko laakerin eliniän aikana.

NOTE

Pidämme ensimmäisiä 5 käyttötuntia yksikön sisäänajojaksona. Taukojakson aikana tulee käyttää 50 % tai vähemmän käyttötehosta. Vaihda kuormaa ajoittain, jotta staattorin käämit voivat kuumentua ja jäähtyä. Kuorman säätäminen muuttaa myös moottorin nopeutta ja auttaa männänrenkaita asettumaan. Vaihda öljy 5 tunnin sisäänajojakson jälkeen.



NOTE

Sää vaikuttaa moottoriöljyyn ja moottorin suorituskykyyn. Vaihda käytettyä moottoriöljytyyppiä sääolosuhteiden perusteella moottorin tarpeisiin sopivaksi.

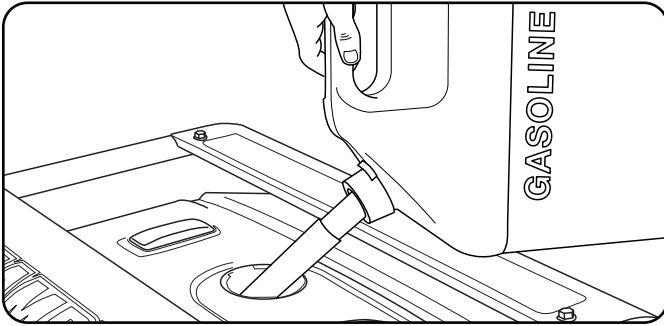
NOTE

Viiden tunnin sisäänajojakson jälkeen voidaan käyttää synteettistä öljyä. Synteettisen öljyn käyttö ei pidennä suositeltua öljynvaihtoväliä. Täyssynteettinen 5W-30-öljy helpottaa käynnistystä kylmässä ympäristössä <math>< 5\text{ }^\circ\text{C}</math> (41 °F)

ASSEMBLY

Polttoaineen lisääminen

1. Käytä puhdasta, tuoretta, normaalia lyijytöntä polttoainetta, jonka oktaaniarvo on vähintään 85 ja etanolipitoisuus alle 10 tilavuusprosenttia.
2. ÄLÄ sekoita öljyä polttoaineeseen.
3. Puhdista alue polttoainesäiliön korkin ympäriltä.
4. Irrota polttoainesäiliön korkki.
5. Lisää polttoainetta hitaasti säiliöön. ÄLÄ TÄYTÄ LIIKAA. Polttoaine voi laajentua täyten jälkeen. Vähintään (6,4 mm) jäljellä olevaa tilaa polttoainesäiliössä tarvitaan polttoaineen laajenemisen varalta. Suositus on yli 1/4 tuumaa (6,4 mm). Polttoaine voi tulla ulos säiliöstä laajenemisen seurauksena, jos se on liian täynnä, ja se voi vaikuttaa tuotteen käyttäytymiseen. Kun säiliötä täytetään, on suositeltavaa jättää tarpeeksi tilaa polttoaineen laajentumiselle.



6. Ruuvaa polttoainesäiliön korkki paikalleen ja pyyhi pois vuotanut polttoaine.

! CAUTION

Käytä tavallista lyijytöntä bensiiniä, jonka oktaaniluku on vähintään 85.

Älä sekoita öljyä ja bensiiniä keskenään. Täytä säiliö noin 1/4 tuumaa (6,4 mm) ylärajasta, jotta polttoaineelle jää tilaa laajentua. ÄLÄ pumpkaa kaasua huoltoasemalla suoraan generaattoriin. Käytä hyväksytyä säiliötä polttoaineen siirtämiseksi generaattoriin. ÄLÄ täytä polttoainesäiliötä sisätiloissa. ÄLÄ täytä polttoainesäiliötä moottorin käydessä tai ollessa kuuma. ÄLÄ täytä polttoainesäiliötä liikaa. ÄLÄ sytytä savukkeita tai tupakoi polttoainesäiliötä täytettäessä.

! WARNING

Polttoaineen liian nopea kaataminen polttoainesuodattimen läpi voi johtaa polttoaineen takaisinvirtaukseen.

Polttoaineen lisääminen, jatkoa

NOTE

Moottorimme toimivat hyvin 10 % tai sen alle olevilla etanolisekoitepolttoaineilla. Sekoitettua polttoainetta käytettäessä on huomioitava joitain asioita:

- Etanoli-bensiiniseokset voivat imeä enemmän vettä kuin pelkkä bensiini.
- Nämä seokset voivat lopulta erottua ja jättää vettä tai vetistä lietettä säiliöön, polttoaineventtiiliin ja kaasuttimeen.
- Painovoimalla toimivissa polttoainesyötöissä tämä pilaantunut polttoaine voi imeytyä kaasuttimeen ja aiheuttaa vahinkoa moottorille ja/tai vaaratilanteita.
- On olemassa vain muutama polttoaineiden stabilointiaineiden toimittaja, joiden tuotteet on suunniteltu toimimaan etanolisekoitepolttoaineiden kanssa.
- Valmistajan takuu ei kata vaurioita tai vaaroja, jotka aiheutuvat väärän polttoaineen, väärin varastoidun polttoaineen ja/tai väärin annosteltujen stabilointiaineiden käytöstä.

Suosittellemme sammuttamaan polttoaineensyötön, ajamaan polttoaine tyhjiin ja tyhjentämään säiliön, jos laitetta ei käytetä yli 30 vuorokauteen.

Maadoitus

Generaattorisi on kytkettävä oikein asianmukaiseen maadoitukseen sähköiskun estämiseksi.

! WARNING

Generaattorin maadoittamatta jättäminen voi johtaa sähköiskuun.

Maadoitusliitin, joka on kytketty generaattorin runkoon, on valmiiksi virtapaneelissa. Etämaadoitusta varten tulee kytkeä pitkä raskas (vähintään 12 AWG) kuparijohdin generaattorin maadoitusliittimen ja maadoituksessa kulkevien kuparitankojen väliin. Suosittelemme, että otat yhteyttä valtuutettuun sähköasentajaan varmistaaksesi paikallisten sähkömääräysten noudattamisen.

Generaattorin sijoittaminen

Älä koskaan käytä generaattoria rakennuksen sisällä! (Katso kohta Turvavaroitukset). Joillakin alueilla generaattorit on rekisteröitävä paikallisella sähkölaitoksella. Rakennustyömailla käytettäviin generaattoreihin voidaan soveltaa paikallisia lisäsääntöjä. Sijoita tasaiselle alustalle. Generaattoreilla on oltava vähintään 1,5 m etäisyys kaikesta palavasta materiaalista. Lisäksi niillä on oltava vähintään 3 jalan (noin 3 cm:n) väli kaikilta sivuilta riittävän jäähdytyksen ja huollon mahdollistamiseksi. Generaattoreita ei saa koskaan käynnistää tai käyttää paikoissa, jotka eivät mahdollista generaattorin ja/tai äänenvaimentimen riittävää jäähdytystä. Anna generaattoreiden jäähtyä ennen varastointia tai kuljetusta. Älä sijoita generaattoria aukkojen tai imuaukkojen läheisyyteen. Ota huomioon tuuli- ja ilmavirrat generaattoria sijoittaessasi.

Asianmukaisten turvatoimenpiteiden noudattamatta jättäminen voi mitätöidä valmistajan takuun.

WARNING

Älä käytä tai säilytä generaattoria sateessa, lumessa tai märässä.

Generaattorin tai sähkölaitteen käyttö märissä olosuhteissa, kuten sateessa tai lumessa, uima-altaan tai sprinklerijärjestelmän lähellä tai käsien ollessa märkä, voi johtaa sähköiskuun.

WARNING

Käytön aikana äänenvaimentimet ja syntyvät pakokaasut kuumenevat. Jos riittävää jäähdytys- ja ilmankiertotilaa ei ole saatavana tai jos generaattori on tukossa tai peitetty, lämpötilat voivat kuumentua erittäin voimakkaasti ja aiheuttaa tulipalon.

Maadoitus

Generaattorijärjestelmän maadoitus yhdistää rungon virtapaneelin maadoitusliittimiin. Järjestelmän maadoitus on kytketty AC-neutraalijohtoon.

Ylijännitesuoja

CAUTION

Jänniteenvaihtelut saattavat heikentää herkkien elektronisten laitteiden toimintaa.

Elektroniikkalaitteet, mukaan lukien tietokoneet ja monet ohjelmoitavat laitteet, käyttävät komponentteja, jotka on suunniteltu toimimaan kapealla jännitealueella ja joihin hetkelliset jänniteenvaihtelut voivat vaikuttaa. Jännitteen heilahteluja ei voida estää, mutta voit suojata herkkiä elektronisia laitteita.

1. *Asenna CSA-luettelossa olevat UL1449-lisälaitteiden ylijännitesuojat herkkiä laitteita syöttäviin pistorasioihin.*

Ylijännitesuojat toimitetaan yhdelle tai useammalle pistorasialle. Ne on suunniteltu suojaamaan käytännöllisesti katsoen kaikilta lyhytaikaisista jänniteenvaihteluilta.

Moottorin käynnistäminen

1. Sijoita generaattori tasaiselle alustalle.
2. Kytke irti kaikki sähkökuormat generaattorista. Älä koskaan käynnistä tai pysäytä generaattoria, joka on kytkettynä sähköverkkoon tai päällä.
3. Käännä polttoaineventtiili ON-asentoon.
4. Vedä rikastinvipu CHOKE-asentoon.
5. Taita virta-avain ON-asentoon.
6. Mallit, joissa on SÄHKÖSTARTTI: Pidä virta-avain painettuna START-asentoon. Vapauta moottorin alkaessa pyöriä. Jos moottori ei käynnisty viiden sekunnin kuluessa, vapauta kytkin ja odota vähintään kymmenen sekuntia ennen kuin yrität käynnistää moottorin uudelleen.
7. VETOSTARTTI: Vedä käynnistysnarusta hitaasti, kunnes tuntuu vastusta, ja vedä sitten narusta nopeasti.
8. Älä ryypytä liikaa. Heti kun moottori käynnistyy, siirrä rikastinvipu asentoon RUN.

OPERATION

Moottorin käynnistäminen, jatkoa

NOTE

Pidä rikastinvipu Choke-asennossa vain yhden käynnistysvedon ajan. Siirrä ensimmäisen vedon jälkeen rikastinvipu Run-asentoon sisään enintään 3 vedon ajan. Liiallinen ryypyttäminen aiheuttaa sen, että moottori ei käynnisty.

NOTE

Jos moottori käynnistyy, mutta ei jatka käymistä varmista, että generaattori on tasaisella pinnalla. Moottori on varustettu öljytason anturilla, joka estää moottoria käymästä, jos öljymäärä laskee kriittisen kynnyksen alapuolelle.

NOTE

Kun akkukytkin on ON-asennossa, kytkin syttyy, jos akku lähettää latausta. Jos kytkin ei syty, kun se on ON-asennossa, tarkista, että akkuliitäntä on edelleen kunnossa.

NOTE

Mukana toimitettu 12 V 15 AH -akku latautuu moottorin käydessä, mutta on myös suositeltavaa, että akku ladataan täyteen vähintään kerran kuukaudessa.

Sähkökuormien kytkeminen

1. Anna moottorin vakautua ja lämmitä muutama minuutti käynnistymisen jälkeen.
2. Kytke pistoke ja kytke haluamasi 120/240 voltin yksivaiheinen vaihtovirta, 50 Hz.
 - ÄLÄ kytke 3-vaiheisia kuormia generaattoriin.
 - ÄLÄ kytke 60 Hz kuormia generaattoriin.
 - ÄLÄ ylikuormita generaattoria.

Sähkökuormien kytkeminen, jatkoa

NOTE

Generaattorin kytkeminen sähköyhtiösi linjoihin tai muuhun virtalähteeseen saattaa olla lain vastaista. Lisäksi tämä toimenpide, jos se tehdään väärin, voi vahingoittaa generaattoriasi ja laitteitasi ja aiheuttaa vakavia vammoja tai jopa kuoleman sinulle tai työntekijälle, tai hänelle, joka työskentelee läheisillä voimalinjoilla. Jos aiot käyttää kannettavaa sähkögeneraattoria seisokin aikana, ilmoita siitä välittömästi sähköyhtiöllesi ja muista kytkeä laitteet suoraan generaattoriin. Älä kytke generaattoria kotisi pistorasiaan. Se voi muodostaa yhteyden sähköyhtiön sähkölinjoihin. Olet vastuussa siitä, että generaattorisi sähkö ei johdu takaisin sähköverkkoihin. Jos generaattori kytketään rakennuksen sähköjärjestelmään, ota yhteys paikalliseen sähköyhtiöön tai valtuutettuun sähköasentajaan. Liitäntöjen on eristettävä generaattorin virta sähköverkosta ja niiden on noudatettava kaikkia sovellettavia lakeja ja määräyksiä.

Moottorin pysäyttäminen

1. Sammuta ja irrota kaikki sähkökuormat. Älä koskaan käynnistä tai pysäytä generaattoria, joka on kytkettynä sähköverkkoon tai päällä.
2. Anna generaattorin käydä ilman kuormaa useita minutteja moottorin ja generaattorin sisäisten lämpötilojen tasaamiseksi.
3. Käännä polttoaineventtiili OFF-asentoon.
4. Anna moottorin käydä, kunnes polttoaineen puute on pysäyttänyt moottorin. Tämä kestää yleensä muutaman minuutin.
5. Paina virta-avain OFF-asentoon.

Tärkeää: Varmista aina, että polttoaineventtiili ja virta-avain ovat OFF-asennossa, kun moottoria ei käytetä.

NOTE

Jos moottoria ei käytetä vähintään kahteen (2) viikkoon, katso kohdasta Varastointi lisätietoja moottorin ja polttoaineen asianmukaisesta varastoinnista.

Älä ylikuormita generaattoria

Kapasiteetti

Noudata näitä yksinkertaisia ohjeita laskeaksesi käyttötarkoituksesi kannalta tarpeellinen käyttö- ja käynnistysteho.

1. Valitse sähkölaitteet, joita aiot käyttää samanaikaisesti.
2. Näiden kohteiden käytönaikainen wattien kokonaismäärä. Tämä on se määrä tehoa, joka tarvitaan niiden pitämiseen käynnissä.
3. Tunnista kaikkien vaiheessa 1 yksilöityjen laitteiden suurin lähtöteho. Lisää tämä numero vaiheessa 2 laskettuun numeroon. Ylijännite on ylimääräinen virranpurkaus, jota tarvitaan joidenkin sähkökäyttöisten laitteiden käynnistämiseen. Kohdassa "Virranhallinta" lueteltujen vaiheiden noudattaminen takaa, että vain yksi laite käynnistyy kerrallaan.

Virranhallinta

Käytä seuraavaa kaavaa muuntaaksesi jännite ja ampeerit wateiksi:

$$\text{Voltti} \times \text{ampeeri} = \text{watti}$$

Voit pidentää generaattorisi ja siihen liitettyjen laitteiden käyttöikää lisäämällä sähkökuormaa seuraavia ohjeita noudattaen:

1. Käynnistä generaattori ilman sähkökuormaa
2. Anna moottorin käydä useita minuutteja tasaantumista varten.
3. Kytke virta ja käynnistä ensimmäinen laite. On parasta kiinnittää ensin laite, jolla on suurin kuorma.
4. Anna moottorin tasaantua.
5. Kytke virta ja käynnistä seuraava laite.
6. Anna moottorin tasaantua.
7. Toista vaiheet 5-6 jokaisen uuden laitteen kohdalla.

NOTE

Älä koskaan ylitä määritettyä kapasiteettia lisättäessä kuormia generaattoriin.

Käyttö korkealla

Huomaa, että moottorin teho voi laskea ja pakokaasupäästöt kasvaa käytettäessä laitetta korkealla. Muita korkean ongelmia voivat olla kovat käynnistykset, lisääntynyt polttoaineenkulutus ja sytytystulppien likaantuminen. Tämä on luonnollista, eikä asiaa voida muuttaa säätämällä moottoria.

MAINTENANCE AND STORAGE

Omistaja/käyttäjä on vastuussa kaikista määräaikaishuolloista.

! WARNING

Älä koskaan käytä vaurioitunutta tai viallista generaattoria.

! WARNING

Tehdasasetusten muuttaminen mitätöi takuun.

! WARNING

Väärä huolto mitätöi takuun.

NOTE

Päästöjenrajoituslaitteiden ja -järjestelmien huoltoa, vaihtoa tai korjausta voi suorittaa kuka tahansa korjaamo tai luvan saanut henkilö.

Suorita kaikki määräaikaishuollot oikeaan aikaan. Korjaa kaikki ongelmat ennen generaattorin käyttöä.

Moottorin huolto

Tahattoman käynnistymisen estämiseksi pitää sytytystulpan johdin irrottaa ja maadoittaa ennen minkään huollon suorittamista.

Öljy

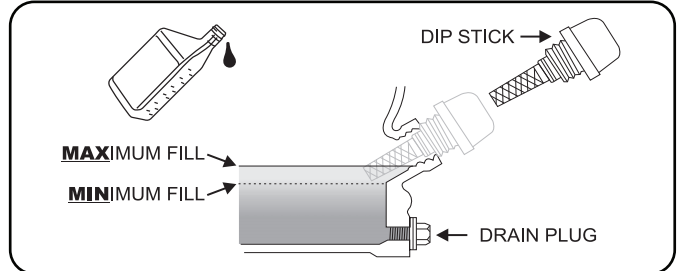
Vaihda öljy moottorin ollessa lämmin. Katso öljytiedoista sopiva öljyalaatu käyttöympäristöllesi.

1. Irrota öljyn tyhjennystulppa 15 mm:n kannalla ja jatkeella (ei sisälly toimitukseen).
2. Anna öljyn valua kokonaan pois.
3. Kiinnitä tyhjennystulppa takaisin.
4. Irrota öljytäyttökorkki/mittatikku öljyn lisäämiseksi.
5. Lisää öljy ja aseta öljytäyttökorkki/mittatikku paikalleen. **ÄLÄ TÄYTÄ LIIKAA.**
6. Hävitä käytetty öljy hyväksytyssä jätehuoltolaitoksessa.

Öljy, jatkoa

NOTE

Kun öljyä on lisätty, silmämääräisessä tarkastuksessa tulee näkyä öljyä noin 1-2 kierteen mitalta täyttöaukosta. Jos käytät mittatikkuja öljytason tarkistamiseen, **ÄLÄ** ruuvaa mittatikkuja tarkistuksen aikana.



Sytytystulpat

1. Irrota sytytystulpan johto.
2. Irrota tulppa.
3. Tarkasta tulpan elektrodi. Sen on oltava puhdas eikä se saa olla kulunut syttymiseen tarvittavan kipinän tuottamiseksi.
4. Katso sytytystulpan tiedot tämän mallin "Tekniset tiedot" -sivulta.
5. Kierrä tulppa huolellisesti kiinni.
6. Asenna tulppa tukevasti sytytystulpan työkaluun (ei sisälly toimitukseen).
7. Kiinnitä sytytystulpan johto pistokkeeseen.

Ilmansuodatin

1. Irrota napsautuskansi, joka pitää ilmansuodatinta kiinni.
2. Poista vaahtomuovielementti.
3. Pese nestemäisessä pesuaineessa ja vedessä. Kuivaa huolellisesti puhtaalla liinalla.
4. Kyllästä puhtaalla moottoriöljyllä.
5. Kuivaa huolellisesti imukykyisellä liinalla ylimääräinen öljy pois.
6. Aseta suodatin paikalleen.
7. Asenna ilmansuodattimen kansi takaisin paikalleen.

Kipinänestin

1. Anna moottorin jäähtyä kokonaan ennen kipinänestimen huoltoa.
2. Irrota ruuvit, jotka pitävät kansilevyä kiinni, joka puolestaan pitää kipinänestimen päätä kiinni äänenvaimentimessa.
3. Irrota kipinänestin.
4. Poista hiilijäämät varovasti kipinänestimestä teräsharjalla.
5. Vaihda kipinänestin, jos se on vaurioitunut.
6. Aseta kipinänestin äänenvaimentimeen ja kiinnitä kolmella ruuvilla.

! CAUTION

Kipinänestimen puhdistamatta jättäminen heikentää moottorin suorituskykyä.

NOTE

Lainsäädännössä ja hallinnollisissa vaatimuksissa ilmoitetaan, milloin ja missä kipinävaimentimia vaaditaan.

Puhdistaminen

! CAUTION

ÄLÄ suihkuta moottoria vedellä.

Vesi voi saastuttaa polttoainejärjestelmän.

Puhdista moottorin ulkopinnat kostealla liinalla. Poista lika ja öljy pehmeällä harjalla. Puhdista lika ja roskat moottorista kompressorilla (25 PSI).

Säädöt

Ilma-polttoaineseosta ei voida säätää. Säätimen muuttaminen voi vahingoittaa generaattoriasi ja sähkölaitteitasi ja mitätöidä takuun. CPE suosittelee, että otat yhteyttä paikalliseen jälleenmyyjään kaikissa muissa huolto- ja / tai säätötarpeissa.

Huoltovälit

Noudata seuraavassa huoltoaikataulussa ilmoitettuja huoltovälejä.

Huolla generaattoria useammin, jos työskentelet epäsuotuisissa olosuhteissa.

Aina 8 tunnin välein tai päivittäin	
	Tarkista öljyn määrä
	Puhdista ilman imuaukon ja äänenvaimentimen ympäriltä
Ensimmäiset 5 käyttötuntia	
	Vaihda öljy
Aina 50 käyttötunnin jälkeen tai kerran kaudessa	
	Puhdista ilmansuodatin
	Vaihda öljy, jos työskentelet raskaalla kuormituksella tai kuumassa ympäristössä
Aina 100 tunnin välein tai kerran kaudessa	
	Vaihda öljy
	Puhdista/säädä sytytystulppa
	Tarkista/säädä venttiilin vällys *
	Puhdista kipinänestin
	Puhdista polttoainesäiliö ja suodatin*
Aina 250 tunnin välein	
	Puhdista palokammio*
Aina 3 vuoden välein	
	Vaihda polttoaineletku

*Suorittavat asiantuntevat, kokeneet omistajat tai Champion Power Equipment -sertifioidut jälleenmyyjät.

Generaattorin huolto

Varmista, että generaattori pysyy puhtaana ja että sitä varastoidaan oikein. Käytä laitetta vain tasaisella alustalla puhtaassa ja kuivassa käyttöympäristössä. ÄLÄ altista laitetta ääriolosuhteille, liialliselle pölylle, lialle, kosteudelle tai syövyttävälle höyryille.

! CAUTION

ÄLÄ käytä puutarhaletkua generaattorin puhdistamiseen.

Vesi voi päästä generaattoriin jäähdytysaukkojen kautta ja vaurioittaa generaattorin käämejä.

Puhdista generaattorin ulkopinnat kostealla liinalla. Poista lika ja öljy pehmeällä harjalla. Puhdista lika ja roskat generaattorista kompressorilla (25 PSI). Tarkasta kaikki tuuletusaukot ja jäähdytysaukot varmistaaksesi, että ne ovat puhtaat ja esteettömät.

MAINTENANCE AND STORAGE

Varastointi

Generaattori on käynnistettävä vähintään kerran 14 päivässä ja annettava käydä vähintään 20 minuutin ajan. Noudata näitä ohjeita pidempään varastoitaessa.

Generaattorin varastointi

1. Lisää oikeaa polttoainetta säiliöön.
2. Varmista, että kaikki laitteet on irrotettu generaattorista.
3. Käytä generaattoria muutama minuutti, jotta käsitelty polttoaine ehtii kiertää polttoainejärjestelmän ja kaasuttimen läpi.
4. Käännä polttoaineventtiili OFF-asentoon.
5. Anna generaattorin käydä, kunnes polttoaineen puute on pysäyttänyt moottorin. Tämä kestää yleensä muutaman minuutin.
6. Generaattorin täytyy jäähtyä täysin ennen puhdistamista ja varastointia.
7. Puhdista generaattori huolto-osion mukaisesti.
8. Vaihda öljyt.
9. Irrota sytytystulppa ja kaada noin 15 ml öljyä sylinteriin. Kierrä moottoria hitaasti öljyn jakamiseksi tasaisesti ja sylinterin voitelemiseksi.
10. Kiinnitä sytytystulppa takaisin.
11. Säilytä laitetta puhtaassa, kuivassa paikassa, joka ei ole suorassa auringonvalossa.

Akku

Osa runkotyypeistä on varustettu automaattisella akun latauspiirillä. Akku saa latausjännitteensä moottorin käydessä. Akku ylläpitää asianmukaista latausta, jos laitetta käytetään säännöllisesti (noin joka toinen viikko). Jos akkua käytetään harvemmin, akku on kytkettävä laturiin tai akun ylläpitäjään, jotta akku pysyy oikein ladattuna. Jos akku ei pysty käynnistämään moottoria, moottori voidaan käynnistää vetämällä manuaalisesti moottorin käynnistysnarua. Jos akun jännite on erittäin alhainen, latauspiiri ei ehkä pysty lataamaan akkua uudelleen. Siinä tapauksessa akku on kytkettävä tavalliseen auton akkulaturiin uudelleenlatausta varten, ennen kuin sitä voidaan käyttää.

Akun lataaminen

Akulla varustetun generaattorin kohdalla sähkökäynnistyksessä on noudatettava akkujen asianmukaista huolto- ja varastointiohjeita. Automaattista akkulaturia (ei sisälly toimitukseen), jossa on automaattinen latausominaisuus, tulisi käyttää akun lataamiseen. Suurin latausnopeus ei saa ylittää 1,5 ampeeria. Noudata akkulaturin mukana toimitettuja ohjeita. Akku on ladattava täyteen vähintään kerran kuukaudessa.

NOTE

Kelluva laturi ylläpitää akun tilaa pitkiä varastointiaikoja.

Akun irrottaminen

1. Poista suojakotelo akun mustasta miinusjohdosta.
2. Irrota musta / miinusjohto akun mustasta / miinusnavasta ja säilytä kantaruuvi ja lukkoaluslevy.
3. Toista vaiheet 1-2 punaisen/plusjohdon kohdalla.
4. Säilytä akkua viileässä, kuivassa paikassa.

DANGER

Generaattorin pakokaasu sisältää hajutonta ja väritöntä hiilimonoksidikaasua.

Seuraavia varotoimenpiteitä on noudatettava, jotta vältetään sähkökäynnistysgeneraattorin vahingossa tapahtuva käynnistyminen varastoinnin aikana:

- Kun varastoit generaattoria lyhyemmän ajan varmista, että virta-avain ja polttoaineventtiili ovat OFF-asennossa.
- Kun varastoit generaattoria pidemmän ajan varmista, että virta-avain ja polttoaineventtiili ovat OFF-asennossa ja että akkukaapelit on irrotettu akusta.

Ongelma	Syy	Ratkaisu
Generaattori ei käynnisty	Ei polttoainetta	Lisää polttoainetta
	Viallinen sytytystulppa	Vaihda sytytystulppa
	Laitetta on ladattu käynnistyksen aikana	Poista laitteen kuormitus
Generaattori ei käynnisty. Generaattori käynnistyy, mutta käy karkeasti.	Öljyn määrä alhainen	Täytä kampikammio oikeaan tasoon Sijoita generaattori tasaiselle alustalle
	Rikastin on väärässä asennossa.	Säädä rikastinta.
	Sytytystulpan johdin löysällä	Kiinnitä johdin sytytystulppaan
Generaattori ei käynnisty sähköisesti	Generaattorin akku on tyhjä	Lataa generaattorin akku
Generaattori sammuu kesken käytön	Polttoaine lopussa	Täytä polttoainesäiliö
	Öljyn määrä alhainen	Täytä kampikammio oikeaan tasoon. Sijoita generaattori tasaiselle alustalle
Generaattori ei pysty toimittamaan tarpeeksi virtaa tai ylikuumenee	Generaattori on ylikuormittunut	Tarkista kuorma ja säädä. Lue "Virranhallinta"
	Ilmankierto ei riitä	Tarkista ilmankierron esteet. Siirrä hyvin tuuletettuun tilaan
Ei vaihtovirtasyöttöä	Kaapeli on väärin kytketty	Tarkista kaikki liitännät
	Liitetty laite on viallinen	Vaihda viallinen laite
	Vikavirtasuoja on avoinna	Kuittaa vikavirtasuoja
	Viallinen harjakokoonpano	Vaihddata harjakokoonpano (huollossa)
	Viallinen automaattinen jännitteensäädin	Vaihda automaattinen jännitteensäädin (huollossa)
	Johdotus löysällä	Tarkista ja kiristä johtoliitokset
	Muu	Ota yhteys tukeen.
Generaattori laukkaa	Moottorin ohjain viallinen	Ota yhteys tukeen
Toistuva vikavirtasuojan laukeaminen	Ylikuorma	Tarkista kuorma ja säädä. Lue "Virranhallinta"
	Vialliset johdot tai laite	Tarkista vaurioiden, paljaiden tai kuluneiden johtojen varalta. Vaihda viallinen laite

SPECIFICATIONS

SPECIFICATIONS	CPG2500 (EU/SC)	CPG3500 (EU/SC)	CPG4000 E1 (EU/SC)
Gasoline Starting Watts	2300W	2800W	3750W
Gasoline Running Watts	1900W	2500W	3000W
Gasoline Starting Amps at 120V	10.45A	12.73A	17.05A
Gasoline Running Amps at 120V	8.64A	11.36A	13.64A
Volts	220	220	220
Frequency	50Hz	50Hz	50Hz
Outlets	220V 16A Euro 2Pin	220V 16A Euro 2Pin	220V 16A Euro 2Pin
GFCI Outlets	No	No	No
Covered Outlets	Yes	Yes	Yes
Gasoline Run Time at 1/2 Load	10.0 h.	10.0 h.	10.0 h.
Noise Level	65.0 dBA	65.0 dBA	68.0 dBA
Inverter	No	No	No
Parallel Capability	No	No	No
DC Operation	No	Yes	Yes
Voltmeter	No	Yes	Intelligauge
Automatic Voltage Regulation	Yes	Yes	Yes
Battery	No	No	Yes
Start Type	Recoil	Recoil	Recoil/Electric Start
Engine Brand	Champion	Champion	Champion
Engine Size	196cc	196cc	224cc
Engine Type	4-stroke	4-stroke	4-stroke
Engine Speed	3000	3000	3000
Fuel Type	Gasoline	Gasoline	Gasoline
Fuel Gauge	Yes	Yes	Yes
Gasoline Capacity	15L	15L	15L
Gasoline Tank Material	Steel	Steel	Steel
Engine Oil Type	10W-30	10W-30	10W-30
Engine Oil Capacity	0.6 L	0.6 L	0.6 L
Engine Oil Included	No	No	No
Low Oil Shut-Off	Yes	Yes	Yes
Wheels	No	No	No
CE Certified	Yes	Yes	Yes

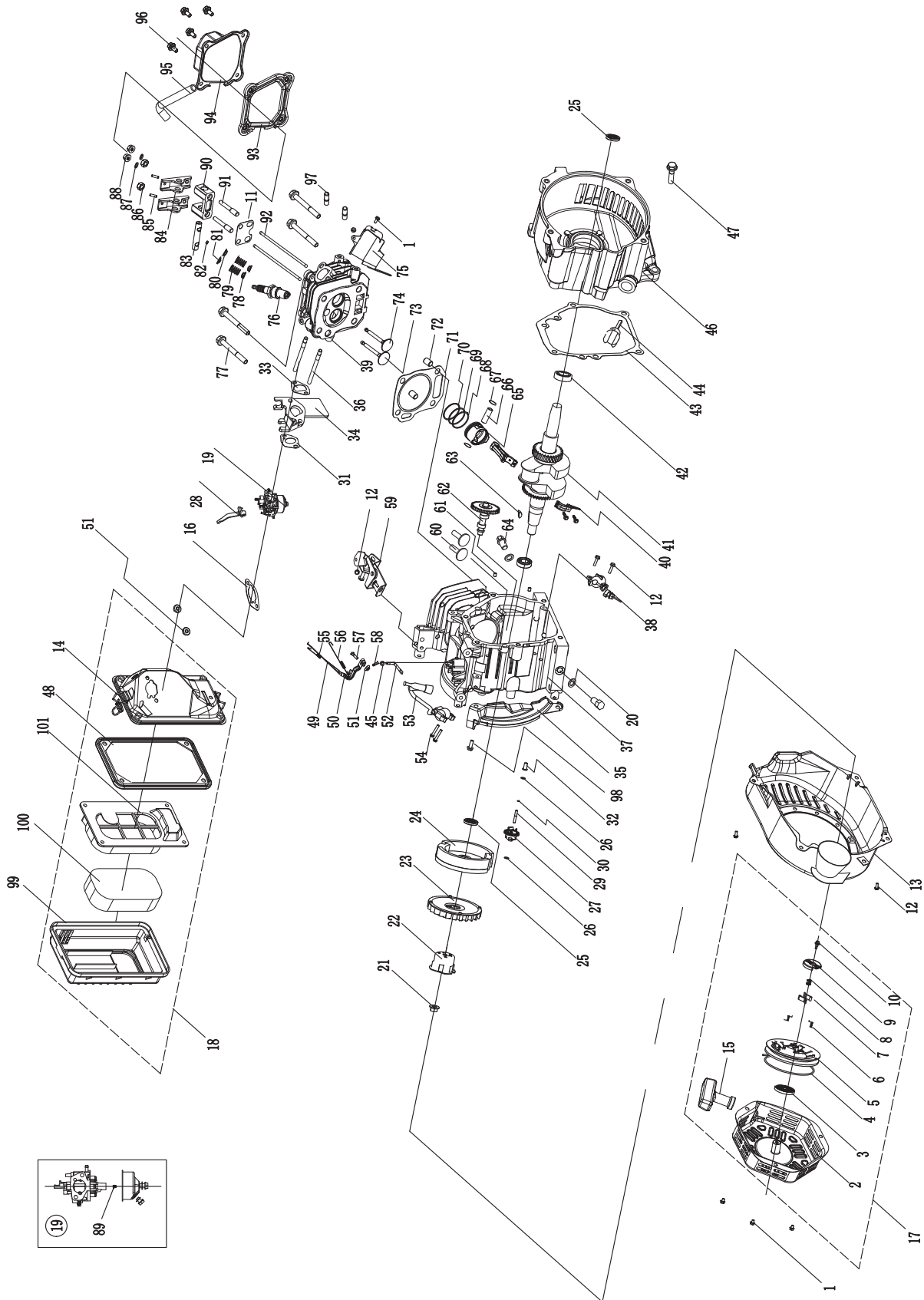
SPECIFICATIONS

SPECIFICATIONS	CPG6500 E2 (EU/SC)	CPG9000 E2 (EU/SC)
Gasoline Starting Watts	6250W	9375W
Gasoline Running Watts	5000W	7500W
Gasoline Starting Amps at 120V	28.41A	42.61A
Gasoline Running Amps at 120V	22.73A	34.09A
Volts	220	220
Frequency	50Hz	50Hz
Outlets	220V 16A Euro 2Pin 220V 32A Euro 3Pin	220V 16A Euro 2Pin 220V 32A Euro 3Pin
GFCI Outlets	No	No
Covered Outlets	Yes	Yes
Gasoline Run Time at 1/2 Load	8.0 h.	8.0 h.
Noise Level	73.0 dBA	74.0 dBA
Inverter	No	No
Parallel Capability	No	No
DC Operation	Yes	Yes
Voltmeter	Intelligauge	Intelligauge
Automatic Voltage Regulation	Yes	Yes
Battery	Yes	Yes
Start Type	Recoil/Electric Start	Recoil/Electric Start
Engine Brand	Champion	Champion
Engine Size	389cc	459cc
Engine Type	4-stroke	4-stroke
Engine Speed	3000	3000
Fuel Type	Gasoline	Gasoline
Fuel Gauge	Yes	Yes
Gasoline Capacity	25L	25L
Gasoline Tank Material	Steel	Steel
Engine Oil Type	10W-30	10W-30
Engine Oil Capacity	1.1 L	1.1 L
Engine Oil Included	No	No
Low Oil Shut-Off	Yes	Yes
Wheels	Yes	Yes
CE Certified	Yes	Yes

EN

TECHNICAL DIAGRAMS

CPG2500 (EU/SC) PARTS DIAGRAM

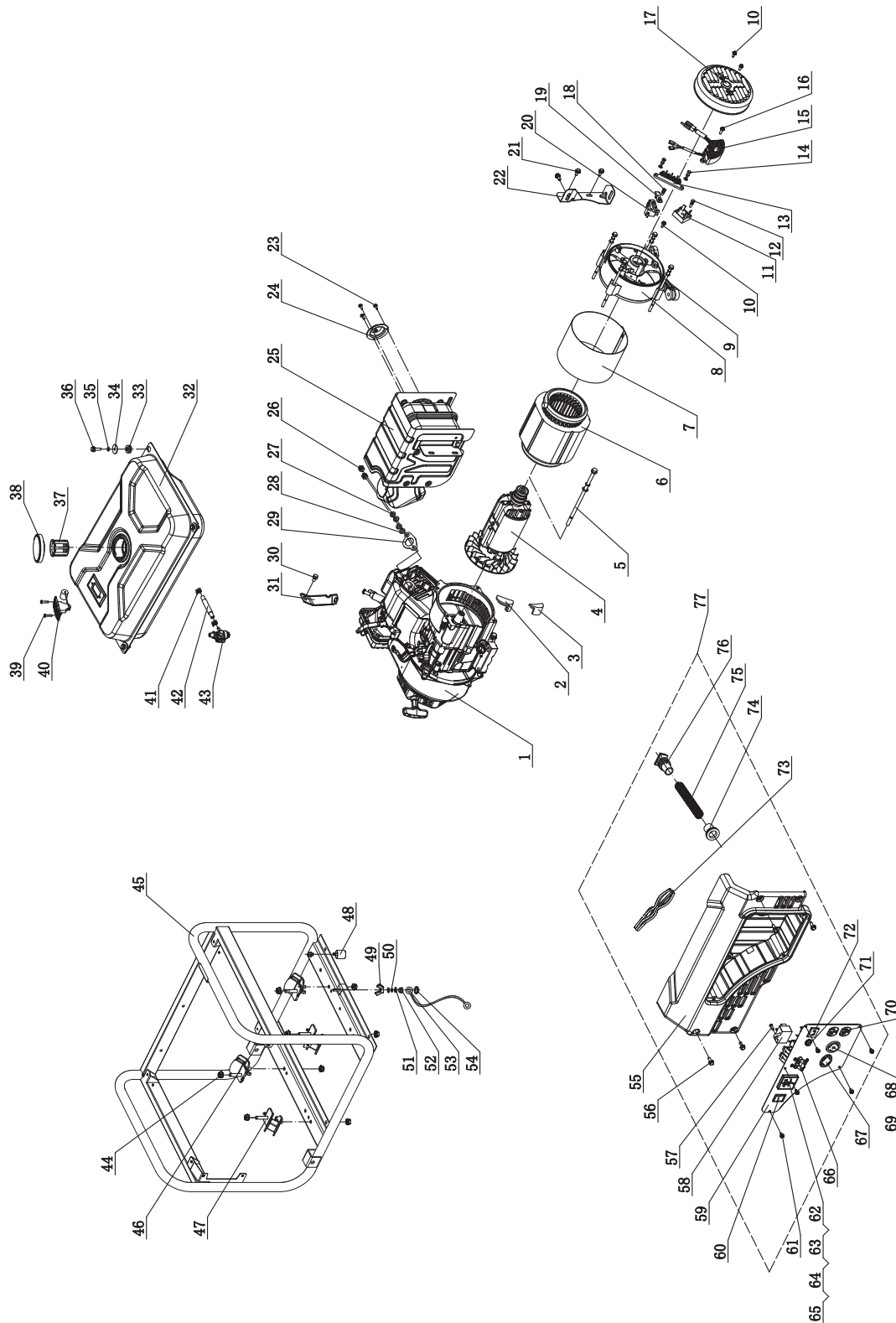


CPG2500 (EU/SC) PARTS LIST

No.	Part Number	Description	Qty.	No.	Part Number	Description	Qty.
1	1.5789.0608	Flange Bolt M6 x 8	5	52	21.110001.00	Shaft, Governor Arm	1
2	22.061100.00.2	Cover, Recoil Starter, Black	1	53	22.123000.01	Ignition Coil, Silicon Rubber	1
3	21.061005.00	Spring, Recoil Starter	1	54	1.5789.0625	Flange Bolt M6 x 25	2
4	2.10.003	Rope Ø5 x 1550	1	55	23.110005.01	Spring, Throttle Return	1
5	21.061001.01	Reel, Recoil Starter	1	56	23.110007.00	Spring, Governor	1
6	45.060003.00	Spring, Ratchet	2	57	2.08.040	Bolt M6 x 21, Governor Arm	1
7	45.060002.00	Starter Ratchet, Steel	2	58	21.110008.00	Pin, Shaft	1
8	45.060009.00	Spring, Ratchet Guide	1	59	23.111000.20	Control Assembly	1
9	45.060007.00	Ratchet Guide	1	60	25.040013.00	Lifter, Valve	2
10	45.060008.00	Screw, Ratchet Guide	1	61	2.04.001	Dowel Pin Ø9 x 14	2
11	24.040004.00	Guide Plate, Push Rod	1	62	26.041000.00	Camshaft	1
12	1.5789.0612	Flange Bolt M6 x 12	8	63	2.14.012	Woodruff Key 4 x 7.5 x 19	1
13	24.080100.01.48	Fan Cover, Yellow	1	64	2.08.037	Drain Bolt M10 x 1.25 x 25	2
14	24.091100.20	Base, Air Cleaner	1	65	26.050005.00	Piston	1
15	21.061300.00	Handle, Recoil, Soft	1	66	23.050003.00	Pin, Piston	1
16	24.130004.20	Gasket, Air Cleaner	1	67	2.09.001	Circlip Ø18 x Ø1	2
17	22.061000.00	Recoil Assembly	1	68	26.050303.00	Ring, Oil	1
18	24.091000.20	Air Cleaner Assembly	1	69	26.050302.00	Ring, Second Piston	1
19	26.131000.20	Carburetor	1	70	26.050301.00	Ring, First Piston	1
	26.131000.21			71	26.030009.00	Gasket, Cylinder Head	1
20	2.03.016	Washer Ø10 x Ø16 x 1.5, Drain Bolt	2	72	2.04.003	Dowel Pin Ø10 x 14	2
21	2.02.006	Nut M14 x 1.5	1	73	23.040002.00	Valve, Intake	1
22	21.060001.01	Pulley, Starter	1	74	23.040006.00	Valve, Exhaust	1
23	23.080001.00	Cooling Fan	1	75	26.080400.00	Air Guide, Lower	1
24	24.120100.06	Flywheel	1	76	2.15.001(F6TC)	Spark Plug F6TC	1
25	2.11.001	Oil Seal Ø25 x Ø41.3 x 6	2	77	1.5789.0860	Flange Bolt M8 x 60	4
26	2.03.020.1	Washer Ø6.2 x Ø15 x 0.5, Black	2	78	23.040017.00	Oil Seal, Valve, Iron	2
27	21.110100.00	Gear, Governor	1	79	21.040003.00	Spring, Valve	2
28	23.130100.20	Choke Lever	1	80	21.040007.00	Retainer, Exhaust Valve Spring	1
29	21.110013.00	Shaft, Governor Gear	1	81	21.040001.00	Retainer, Intake Valve Spring	1
30	21.110011.00	Clip, Governor Gear	1	82	21.040008.00	Rotator, Exhaust Valve	1
31	22.130003.00	Gasket, Carburetor	1	83	24.040202.00	Shaft, Rocker Arm	1
32	21.110012.01	Bushing, Governor Gear, Steel	1	84	22.040009.00	Rocker Arm, Intake Valve	2
33	24.130002.00	Gasket, Insulator	1	85	22.040012.00	Screw, Valve Adjustment	2
34	23.130001.00	Insulator, Carburetor	1	86	21.040021.00	Nut M6 x 0.5, Lock	2
35	23.080600.00	Air Guide, Right Side	1	87	1.97.1.06	Washer Ø6	2
36	2.01.003	Stud Bolt M6 x 90	2	88	1.6177.1.06	Flange Nut M6	2
37	26.030100.00	Crankcase	1	89	26.131017.20	Main Jet, Standard	1
38	21.127000.02	Oil Level Sensor	1		26.131017.20.01	Main Jet, Altitude	/
39	26.010100.00	Cylinder Head	1	90	24.040201.00	Retainer, Rocker Arm	1
40	23.050200.00	Connecting Rod	1	91	23.040010.00	Bolt, Rocker Arm	2
41	25.050100.11	Crankshaft	1	92	23.040005.00	Push Rod	2
42	1.276.6205	Bearing 6205	2	93	21.020002.01	Gasket, Cylinder Head Cover	1
43	24.030008.00	Gasket, Crankcase Cover	1	94	24.021000.00	Cover, Cylinder Head	1
44	22.031000.00.48	Oil Dipstick Assembly, Yellow	1	95	23.020001.02	Breather Tube	1
45	2.03.021.1	Washer Ø6.4 x Ø13 x 1, Black	1	96	1.5789.0615	Flange Bolt M6 x 15	4
46	23.030007.01	Cover, Crankcase	1	97	2.01.010	Stud Bolt M8 x 35	2
47	1.5789.0832.0.8	Flange Bolt M8 x 32	6	98	1.5789.0620	Flange Bolt M6 x 20	1
48	23.091002.21	Seal, Air Cleaner	1	99	24.091200.20	Cover, Air Cleaner	1
49	23.110006.00	Rod, Governor	1	100	23.091003.21	Element, Air Cleaner	1
50	21.110003.00	Arm, Governor	1	101	23.091001.21	Separator, Air Cleaner	1
51	1.6177.06	Flange Nut M6	3				

TECHNICAL DIAGRAMS

CPG2500 (EU/SC) PARTS DIAGRAM



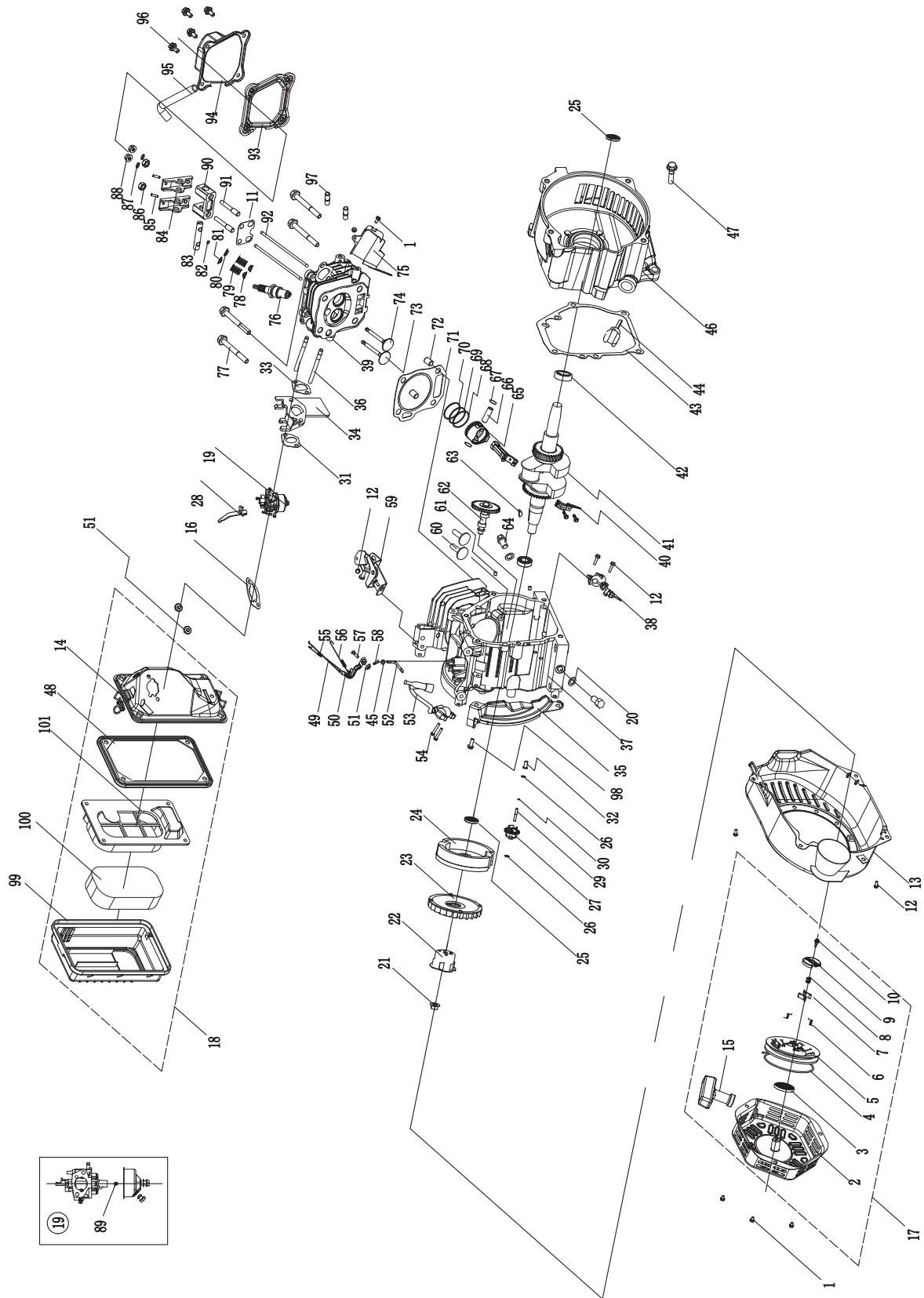
CPG2500 (EU/SC) PARTS LIST

No	Part Number	Description	QTY
1	CPG2500	Engine	1
2	122.190005.00	Rubber, Fore-Cover, B	1
3	122.190005.01	Rubber, Fore-Cover, A	1
4	122.191100.00	Rotor Assembly, Cu, Ø95 x 85 mm	1
5	2.08.017	Flange Bolt M8 x 208	1
6	122.191200.08	Stator Assembly, Cu, Ø160 x 85 mm	1
7	122.191002.00	Cover, Stator	1
8	122.190002.00	End Housing	1
9	2.08.050	Flange Bolt M6 x 133	4
10	1.16674.0512.2	Flange Bolt M5x12	3
11	122.190600.00	Rectifier	1
12	1.16674.0520	Flange Bolt M5x20	1
13	122.190400.00	Terminal Block	1
14	1.5783.0516	Bolt M5 x 16	3
15	122.190200.00	AVR	1
16	1.16674.0516	Flange Bolt M5 x 16	2
17	122.190003.00.48	End Cover, Generator, Yellow	1
18	1.9074.15.0520	Washer Assembly M5 x 20	1
19	122.190004.01	Pinch, Carbon Brush	1
20	122.190300.00	Carbon Brush Assembly	1
21	1.5789.0615	Flange Bolt M6 x 15	3
22	27.100100.10	Bracket, Muffler	1
23	1.823.0406	Screw M4 x 6	3
24	27.101300.00	Spark Arrester Assembly	1
25	27.101000.01.2	Muffler Assembly	1
26	1.6175.08	Nut M8	2
27	1.93.08	Lock Washer Ø8	2
28	1.848.08	Washer Ø8	2
29	21.100001.00	Gasket, Exhaust	1
30	1.5789.0608	Flange Bolt M6 x 8	1
31	23.090006.21	Holder, Air Cleaner	1
32	122.071000.45.48	Fuel Tank, Yellow	1
33	1.93.06	Lock Washer Ø6	4
34	122.070015.01	Mount Vibration, Fuel Tank	4
35	2.03.004.1	Washer Ø24 x Ø6.5 x 1.5, Black	4
36	1.5789.0620.1	Flange Bolt M6 x 20, Black	4
37	122.070300.02	Fuel Filter, Fuel Tank	1
38	122.070100.02	Cap, Fuel Tank	1
39	1.819.0510	Screw M5x10	2
40	122.072000.01	Fuel Meter Assembly	1

No	Part Number	Description	QTY
41	2.06.007	Clamp Ø8 x b6	2
42	122.070011.04	Fuel Pipe Ø4.5 x Ø8.5 x 140 mm	1
43	122.070400.04	Fuel Valve	1
44	1.6177.1.08	Lock Nut M8, Flange	12
45	62337.2.2.2	Frame	1
46	122.201200.00	Mount 2, Motor	2
47	122.201200.01	Mount 1, Motor	2
48	122.201400.01	Rubber	4
49	1.62.06	Butterfly Type Nut M6	1
50	1.93.06.2	Lock Washer Ø6	1
51	1.97.1.06.2	Washer Ø6	2
52	1.6177.1.06	Lock Nut M6, Flange	1
53	5.1900.026	Grounding Line 150 mm	1
54	1.862.06	Lock Washer Ø6, Toothed	1
55	122.210007.26	Control Box	1
56	1.5789.0615.1	Bolt M6 x 15, Black	4
57	1.818.0514.2	Screw M5 x 14	1
58	5.1810.001	Over Voltage Protector	1
59	122.20.11.48	Control Panel, Yellow	1
60	5.1000.004.3	Ignition Switch, Red	1
61	1.9074.4.0512.1	Screw/Washer Assembly M5 x 12, Black	5
62	5.1400.003	Voltage Meter	1
63	1.848.03.2	Washer Ø3	4
64	1.859.03.2	Lock Washer Ø3	4
65	1.6175.03.2	Nut M3	4
66	5.1240.091	Double Pole Circuit Breaker	1
67	5.1120.009	Receptacle L14-30R	1
68	5.1120.008	Receptacle L5-30R	1
69	1.6177.1.04.1	Nut M4	6
70	5.1120.010	Receptacle 5-20R, Duplex	1
71	5.1200.110	10Amp Circuit Breaker, Push Button	1
72	5.1110.001	Receptacle	1
73	CPG2500.21.10	Wire Assembly	1
74	122.210003.01	Wire Jacket, Control Box	1
75	5.1330.001	Sheath, Wire	1
76	122.210003.03	Plug, End Cover	1
77	CPG2500.21	Control Panel Assembly	1

TECHNICAL DIAGRAMS

CPG3500 (EU/SC) PARTS DIAGRAM



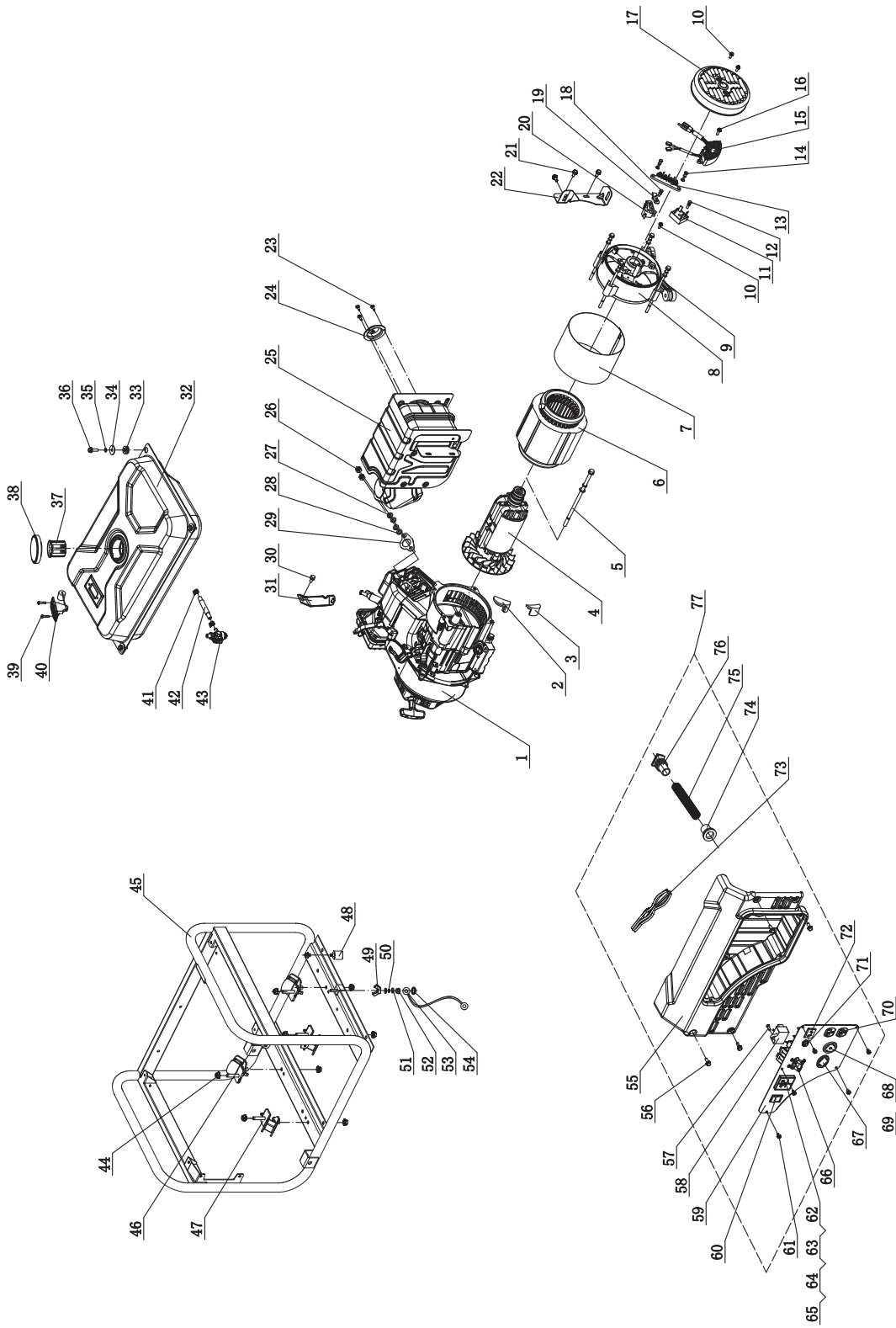
CPG3500 (EU/SC) PARTS LIST

No.	Part Number	Description	Qty.
1	1.5789.0608	Flange Bolt M6 x 8	5
2	22.061100.00.2	Cover, Recoil Starter, Black	1
3	21.061005.00	Spring, Recoil Starter	1
4	2.10.003	Rope Ø5 x 1550	1
5	21.061001.01	Reel, Recoil Starter	1
6	45.060003.00	Spring, Ratchet	2
7	45.060002.00	Starter Ratchet, Steel	2
8	45.060009.00	Spring, Ratchet Guide	1
9	45.060007.00	Ratchet Guide	1
10	45.060008.00	Screw, Ratchet Guide	1
11	24.040004.00	Guide Plate, Push Rod	1
12	1.5789.0612	Flange Bolt M6 x 12	8
13	24.080100.01.48	Fan Cover, Yellow	1
14	24.091100.20	Base, Air Cleaner	1
15	21.061300.00	Handle, Recoil, Soft	1
16	24.130004.20	Gasket, Air Cleaner	1
17	22.061000.00	Recoil Assembly	1
18	24.091000.20	Air Cleaner Assembly	1
19	26.131000.20	Carburetor	1
	26.131000.21		
20	2.03.016	Washer Ø10 x Ø16 x 1.5, Drain Bolt	2
21	2.02.006	Nut M14 x 1.5	1
22	21.060001.01	Pulley, Starter	1
23	23.080001.00	Cooling Fan	1
24	24.120100.06	Flywheel	1
25	2.11.001	Oil Seal Ø25 x Ø41.3 x 6	2
26	2.03.020.1	Washer Ø6.2 x Ø15 x 0.5, Black	2
27	21.110100.00	Gear, Governor	1
28	23.130100.20	Choke Lever	1
29	21.110013.00	Shaft, Governor Gear	1
30	21.110011.00	Clip, Governor Gear	1
31	22.130003.00	Gasket, Carburetor	1
32	21.110012.01	Bushing, Governor Gear, Steel	1
33	24.130002.00	Gasket, Insulator	1
34	23.130001.00	Insulator, Carburetor	1
35	23.080600.00	Air Guide, Right Side	1
36	2.01.003	Stud Bolt M6 x 90	2
37	26.030100.00	Crankcase	1
38	21.127000.02	Oil Level Sensor	1
39	26.010100.00	Cylinder Head	1
40	23.050200.00	Connecting Rod	1
41	25.050100.11	Crankshaft	1
42	1.276.6205	Bearing 6205	2
43	24.030008.00	Gasket, Crankcase Cover	1
44	22.031000.00.48	Oil Dipstick Assembly, Yellow	1
45	2.03.021.1	Washer Ø6.4 x Ø13 x 1, Black	1
46	23.030007.01	Cover, Crankcase	1
47	1.5789.0832.0.8	Flange Bolt M8 x 32	6
48	23.091002.21	Seal, Air Cleaner	1
49	23.110006.00	Rod, Governor	1
50	21.110003.00	Arm, Governor	1
51	1.6177.06	Flange Nut M6	3

No.	Part Number	Description	Qty.
52	21.110001.00	Shaft, Governor Arm	1
53	22.123000.01	Ignition Coil, Silicon Rubber	1
54	1.5789.0625	Flange Bolt M6 x 25	2
55	23.110005.01	Spring, Throttle Return	1
56	23.110007.00	Spring, Governor	1
57	2.08.040	Bolt M6 x 21, Governor Arm	1
58	21.110008.00	Pin, Shaft	1
59	23.111000.20	Control Assembly	1
60	25.040013.00	Lifter, Valve	2
61	2.04.001	Dowel Pin Ø9 x 14	2
62	26.041000.00	Camshaft	1
63	2.14.012	Woodruff Key 4 x 7.5 x 19	1
64	2.08.037	Drain Bolt M10 x 1.25 x 25	2
65	26.050005.00	Piston	1
66	23.050003.00	Pin, Piston	1
67	2.09.001	Circlip Ø18 x Ø1	2
68	26.050303.00	Ring, Oil	1
69	26.050302.00	Ring, Second Piston	1
70	26.050301.00	Ring, First Piston	1
71	26.030009.00	Gasket, Cylinder Head	1
72	2.04.003	Dowel Pin Ø10 x 14	2
73	23.040002.00	Valve, Intake	1
74	23.040006.00	Valve, Exhaust	1
75	26.080400.00	Air Guide, Lower	1
76	2.15.001(F6TC)	Spark Plug F6TC	1
77	1.5789.0860	Flange Bolt M8 x 60	4
78	23.040017.00	Oil Seal, Valve, Iron	2
79	21.040003.00	Spring, Valve	2
80	21.040007.00	Retainer, Exhaust Valve Spring	1
81	21.040001.00	Retainer, Intake Valve Spring	1
82	21.040008.00	Rotator, Exhaust Valve	1
83	24.040202.00	Shaft, Rocker Arm	1
84	22.040009.00	Rocker Arm, Intake Valve	2
85	22.040012.00	Screw, Valve Adjustment	2
86	21.040021.00	Nut M6 x 0.5, Lock	2
87	1.97.1.06	Washer Ø6	2
88	1.6177.1.06	Flange Nut M6	2
89	26.131017.20	Main Jet, Standard	1
	26.131017.20.01	Main Jet, Altitude	/
90	24.040201.00	Retainer, Rocker Arm	1
91	23.040010.00	Bolt, Rocker Arm	2
92	23.040005.00	Push Rod	2
93	21.020002.01	Gasket, Cylinder Head Cover	1
94	24.021000.00	Cover, Cylinder Head	1
95	23.020001.02	Breather Tube	1
96	1.5789.0615	Flange Bolt M6 x 15	4
97	2.01.010	Stud Bolt M8 x 35	2
98	1.5789.0620	Flange Bolt M6 x 20	1
99	24.091200.20	Cover, Air Cleaner	1
100	23.091003.21	Element, Air Cleaner	1
101	23.091001.21	Separator, Air Cleaner	1

TECHNICAL DIAGRAMS

CPG3500 (EU/SC) PARTS DIAGRAM



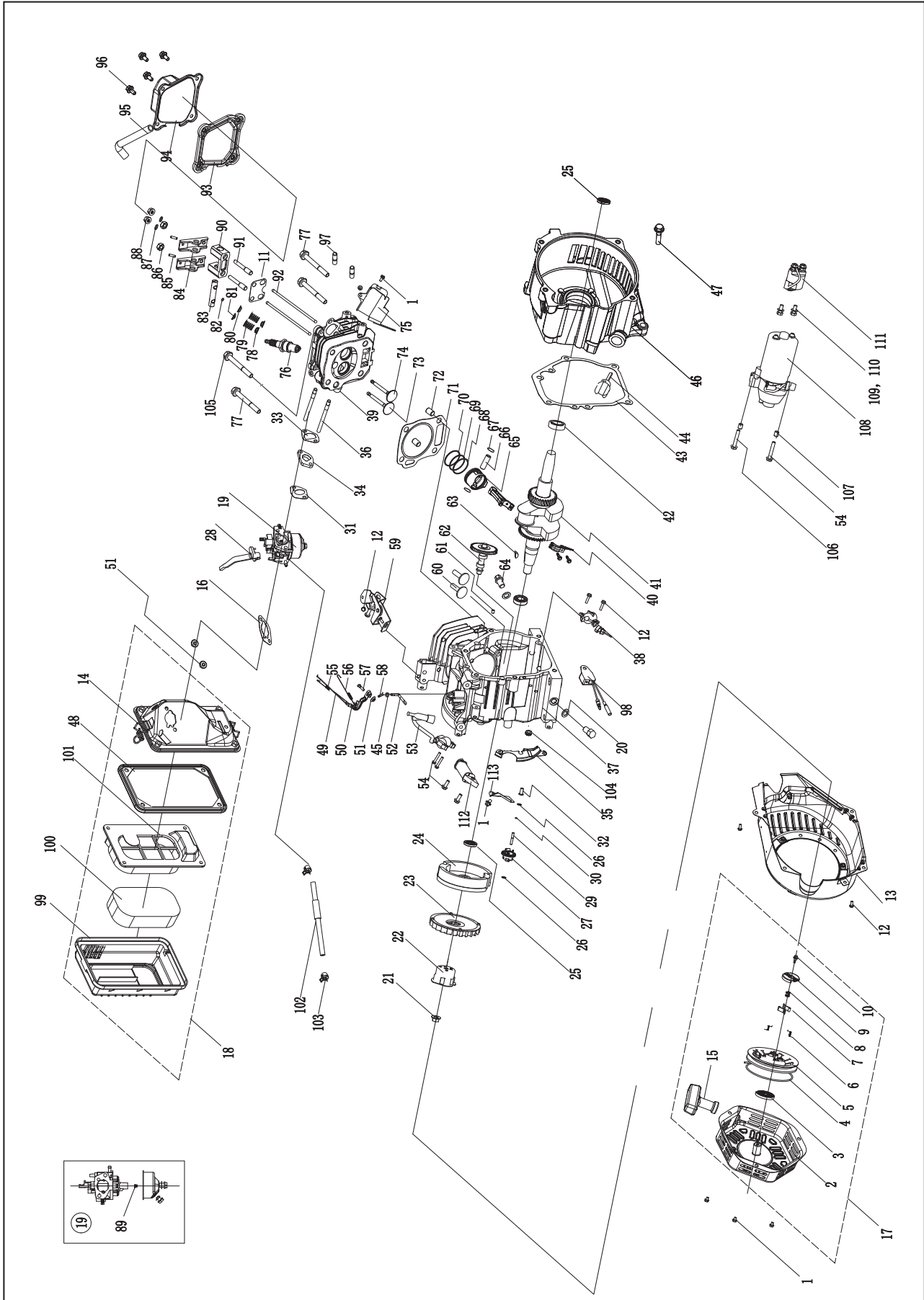
CPG3500 (EU/SC) PARTS LIST

No	Part Number	Description	QTY
1	CPG3500	Engine	1
2	122.190005.00	Rubber, Fore-Cover, B	1
3	122.190005.01	Rubber, Fore-Cover, A	1
4	123.191100.04	Rotor Assembly, Cu, Ø160 x 110 mm	1
5	2.08.021	Flange Bolt M8 x 233	1
6	123.191200.04	Stator Assembly, Cu, Ø160 x 110 mm	1
7	122.191002.00	Cover, Stator	1
8	122.190002.00	End Housing	1
9	2.08.020	Flange Bolt M6 x 158	4
10	1.16674.0512.2	Flange Bolt M5x12	3
11	122.190600.00	Rectifier	1
12	1.16674.0520	Flange Bolt M5x20	1
13	122.190400.00	Terminal Block	1
14	1.5783.0516	Bolt M5 x 16	3
15	122.190200.00	AVR	1
16	1.16674.0516	Flange Bolt M5 x 16	2
17	122.190003.00.48	End Cover, Generator, Yellow	1
18	1.9074.15.0520	Washer Assembly M5 x 20	1
19	122.190004.01	Pinch, Carbon Brush	1
20	122.190300.00	Carbon Brush Assembly	1
21	1.5789.0615	Flange Bolt M6 x 15	3
22	27.100100.10	Bracket, Muffler	1
23	1.823.0406	Screw M4 x 6	3
24	27.101300.00	Spark Arrester Assembly	1
25	27.101000.01.2	Muffler Assembly	1
26	1.6175.08	Nut M8	2
27	1.93.08	Lock Washer Ø8	2
28	1.848.08	Washer Ø8	2
29	21.100001.00	Gasket, Exhaust	1
30	1.5789.0608	Flange Bolt M6 x 8	1
31	23.090006.21	Holder, Air Cleaner	1
32	122.071000.45.48	Fuel Tank, Yellow	1
33	1.93.06	Lock Washer Ø6	4
34	122.070015.01	Mount Vibration, Fuel Tank	4
35	2.03.004.1	Washer Ø24 x Ø6.5 x 1.5, Black	4
36	1.5789.0620.1	Flange Bolt M6 x 20, Black	4
37	122.070300.02	Fuel Filter, Fuel Tank	1
38	122.070100.02	Cap, Fuel Tank	1
39	1.819.0510	Screw M5x10	2

No	Part Number	Description	QTY
40	122.072000.01	Fuel Meter Assembly	1
41	2.06.007	Clamp Ø8 x b6	2
42	122.070011.04	Fuel Pipe Ø4.5 x Ø8.5 x 140 mm	1
43	122.070400.04	Fuel Valve	1
44	1.6177.1.08	Lock Nut M8, Flange	12
45	62337.2.5.2	Frame	1
46	122.201200.00	Mount 2, Motor	2
47	122.201200.01	Mount 1, Motor	2
48	122.201400.01	Rubber	4
49	1.62.06	Butterfly Type Nut M6	1
50	1.93.06.2	Lock Washer Ø6	1
51	1.97.1.06.2	Washer Ø6	2
52	1.6177.1.06	Lock Nut M6, Flange	1
53	5.1900.026	Grounding Line 150 mm	1
54	1.862.06	Lock Washer Ø6, Toothed	1
55	122.210007.26	Control Box	1
56	1.5789.0615.1	Bolt M6 x 15, Black	4
57	1.818.0514.2	Screw M5 x 14	1
58	5.1810.001	Over Voltage Protector	1
59	122.20.11.48	Control Panel, Yellow	1
60	5.1000.004.3	Ignition Switch, Red	1
61	1.9074.4.0512.1	Screw/Washer Assembly M5 x 12, Black	5
62	5.1400.003	Voltage Meter	1
63	1.848.03.2	Washer Ø3	4
64	1.859.03.2	Lock Washer Ø3	4
65	1.6175.03.2	Nut M3	4
66	5.1240.117	Double Pole Circuit Breaker	1
67	5.1120.009	Receptacle L14-30R	1
68	5.1120.008	Receptacle L5-30R	1
69	1.6177.1.04.1	Nut M4	6
70	5.1120.010	Receptacle 5-20R, Duplex	1
71	5.1200.110	10Amp Circuit Breaker, Push Button	1
72	5.1110.001	Receptacle	1
73	CPG3500.21.10	Wire Assembly	1
74	122.210003.01	Wire Jacket, Control Box	1
75	5.1330.001	Sheath, Wire	1
76	122.210003.03	Plug, End Cover	1
77	CPG3500.21	Control Panel Assembly	1

TECHNICAL DIAGRAMS

CPG4000 E1 (EU/SC) PARTS DIAGRAM



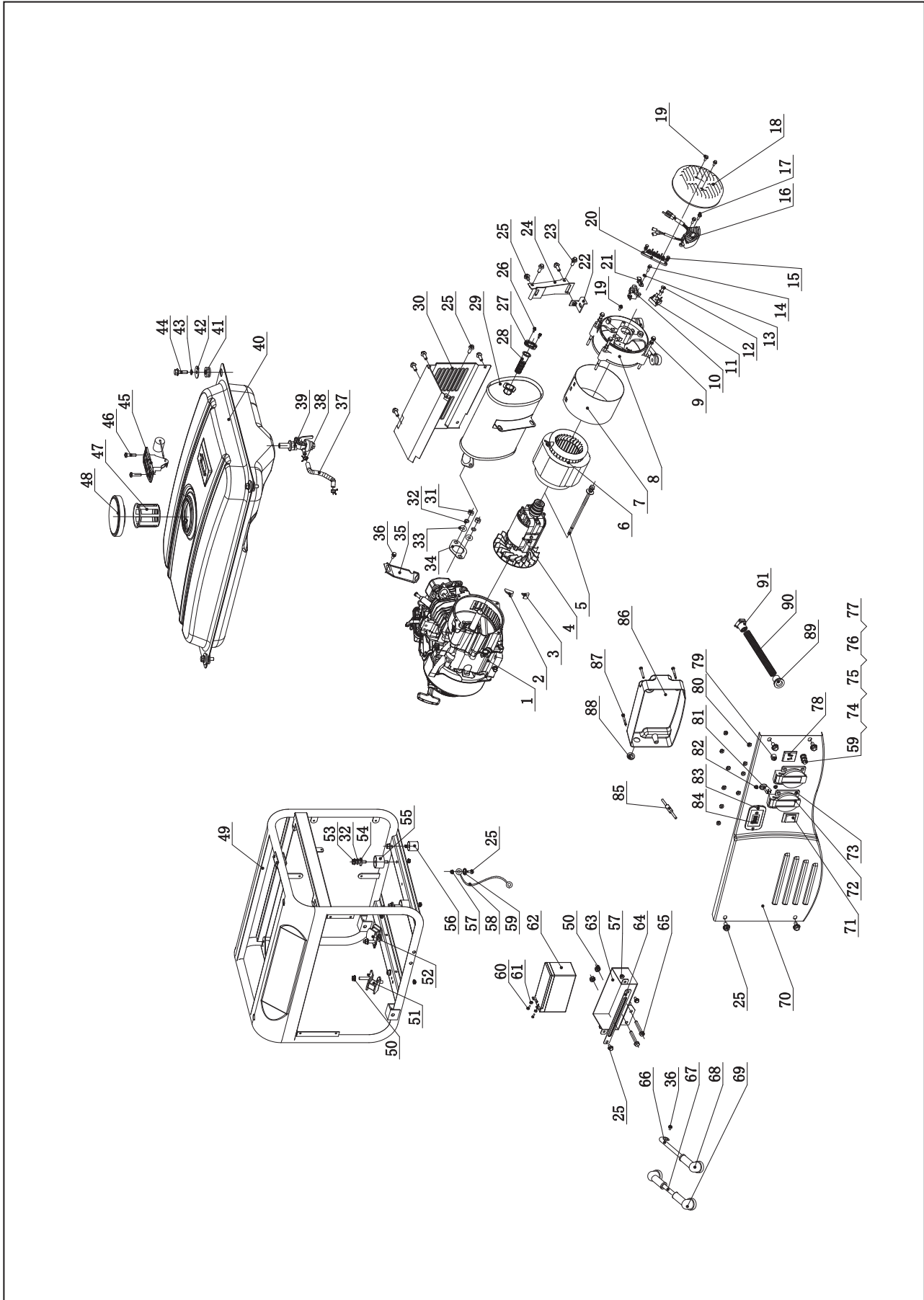
CPG4000 E1 (EU/SC) PARTS LIST

No.	Part Number	Description	Qty
1	1.5789.0608	Flange Bolt M6 × 8	6
2	22.061100.00.2	Cover, Recoil Starter, Black	1
3	21.061005.00	Spring, Recoil Starter	1
4	2.10.003	Rope Ø5 × 1550	1
5	21.061001.01	Reel, Recoil Starter	1
6	45.060003.00	Spring, Ratchet	2
7	45.060002.00	Starter Ratchet, Steel	2
8	45.060009.00	Spring, Ratchet Guide	1
9	45.060007.00	Ratchet Guide	1
10	45.060008.00	Screw, Ratchet Guide	1
11	24.040004.00	Guide Plate, Push Rod	1
12	1.5789.0612	Flange Bolt M6 × 12	8
13	27.080100.01.48	Fan Cover, Yellow	1
14	24.091100.20	Base, Air Cleaner	1
15	21.061300.00	Handle, Recoil, Soft	1
16	24.130004.20	Gasket, Air Cleaner	1
17	22.061000.00	Recoil Assembly	1
18	27.091000.01	Air Cleaner Assembly	1
19	27.131000.01 27.131000.06	Carburetor	1
20	2.03.016	Washer Ø10 × Ø16 × 1.5, Drain Bolt	2
21	2.02.006	Nut M14 × 1.5	1
22	83.060001.01	Pulley, Starter	1
23	27.080001.00	Cooling Fan	1
24	24.120100.07	Flywheel	1
25	2.11.001	Oil Seal Ø25 × Ø41.3 × 6	2
26	2.03.020.1	Washer Ø6.2 × Ø15 × 0.5, Black	2
27	21.110100.00	Gear, Governor	1
28	23.130100.20	Choke Lever	1
29	21.110013.00	Shaft, Governor Gear	1
30	21.110011.00	Clip, Governor Gear	1
31	22.130003.00	Gasket, Carburetor	1
32	21.110012.01	Bushing, Governor Gear, Steel	1
33	24.130002.00	Gasket, Insulator	1
34	27.130001.00	Insulator, Carburetor	1
35	27.080600.01	Air Guide, Right Side	1
36	2.01.003	Stud Bolt M6 × 90	2
37	27.030100.00	Crankcase	1
38	21.127000.02	Oil Level Sensor	1
39	26.010100.01	Cylinder Head, 224cc	1
40	27.050200.00	Connecting Rod	1
41	27.050100.00	Crankshaft	1
42	1.276.6205	Bearing 6205	2
43	24.030008.00	Gasket, Crankcase Cover	1
44	46.031000.00	Oil Dipstick Assembly, Black	1
45	2.03.021.1	Washer Ø6.4 × Ø13 × 1, Black	1
46	23.030007.01	Cover, Crankcase	1
47	1.5789.0832.0.8	Flange Bolt M8 × 32	6
48	23.091002.21	Seal, Air Cleaner	1
49	23.110006.00	Rod, Governor	1
50	27.110003.00	Arm, Governor	1
51	1.6177.06	Flange Nut M6	3
52	21.110001.00	Shaft, Governor Arm	1
53	22.123000.01	Ignition Coil, Silicon Rubber	1
54	1.5789.0625	Flange Bolt M6 × 25	5
55	23.110005.01	Spring, Throttle Return	1
56	23.110007.00	Spring, Governor	1
57	2.08.040	Bolt M6 × 21, Governor Arm	1

No.	Part Number	Description	Qty
58	21.110008.00	Pin, Shaft	1
59	27.111000.20	Control Assembly	1
60	25.040013.00	Lifter, Valve	2
61	2.04.001	Dowel Pin Ø9 × 14	2
62	27.041000.00	Camshaft	1
63	2.14.012	Woodruff Key 4 × 7.5 × 19	1
64	2.08.037	Drain Bolt M10 × 1.25 × 25	2
65	27.050005.00	Piston	1
66	23.050003.00	Pin, Piston	1
67	2.09.001	Circlip Ø18 × Ø1	2
68	27.050303.00	Ring, Oil	1
69	27.050302.00	Ring, Second Piston	1
70	27.050301.00	Ring, First Piston	1
71	27.030009.01	Gasket, Cylinder Head	1
72	2.04.003	Dowel Pin Ø10 × 14	2
73	23.040002.02	Valve, Intake	1
74	23.040006.02	Valve, Exhaust	1
75	26.080400.00	Air Guide, Lower	1
76	2.15.001(F6TC)	Spark Plug F6TC	1
77	1.5789.0865	Flange Bolt M8 × 65	3
78	23.040017.00	Oil Seal, Valve, Iron	2
79	21.040003.00	Spring, Valve	2
80	21.040007.00	Retainer, Exhaust Valve Spring	1
81	21.040001.00	Retainer, Intake Valve Spring	1
82	21.040008.00	Rotator, Exhaust Valve	1
83	24.040202.00	Shaft, Rocker Arm	1
84	22.040009.00	Rocker Arm, Intake Valve	2
85	22.040012.00	Screw, Valve Adjustment	2
86	21.040021.00	Nut M6 × 0.5, Lock	2
87	1.97.1.06	Washer Ø6	2
88	1.6177.1.06	Flange Nut M6	2
89	27.131017.01 27.131017.01.01	Main Jet, Standard Main Jet, Altitude	1 /
90	24.040201.00	Retainer, Rocker Arm	1
91	23.040010.00	Bolt, Rocker Arm	2
92	27.040005.00	Push Rod	2
93	21.020002.01	Gasket, Cylinder Head Cover	1
94	24.021000.00	Cover, Cylinder Head	1
95	23.020001.02	Breather Tube	1
96	1.5789.0615	Flange Bolt M6 × 15	4
97	2.01.010	Stud Bolt M8 × 35	2
98	21.120400.00	Diode Comp	1
99	27.091200.01	Cover, Air Cleaner	1
100	23.091003.21	Element, Air Cleaner	1
101	23.091001.21	Separator, Air Cleaner	1
102	122.070011.04	Pipe, Fuel 140	1
103	2.06.007	Clamp Ø8 × b6	2
104	152.070031.01	Sheath, Wire	1
105	2.08.121	Flange Bolt M10 × 65	1
106	1.5789.0629	Flange Bolt M6 × 29	1
107	2.04.005	Dowel Pin, Ø8 × 10	2
108	27.125100.00	Starter Motor Assembly	1
109	1.93.05	Lock Washer Ø5	2
110	1.16674.0516	Flange Bolt M5 × 16	2
111	23.125200.03	Relay, Starter	1
112	45.121000.00	Coil, Charging	1
113	23.030006.00	Plate, Coil	1

TECHNICAL DIAGRAMS

CPG4000 E1 (EU/SC) PARTS DIAGRAM



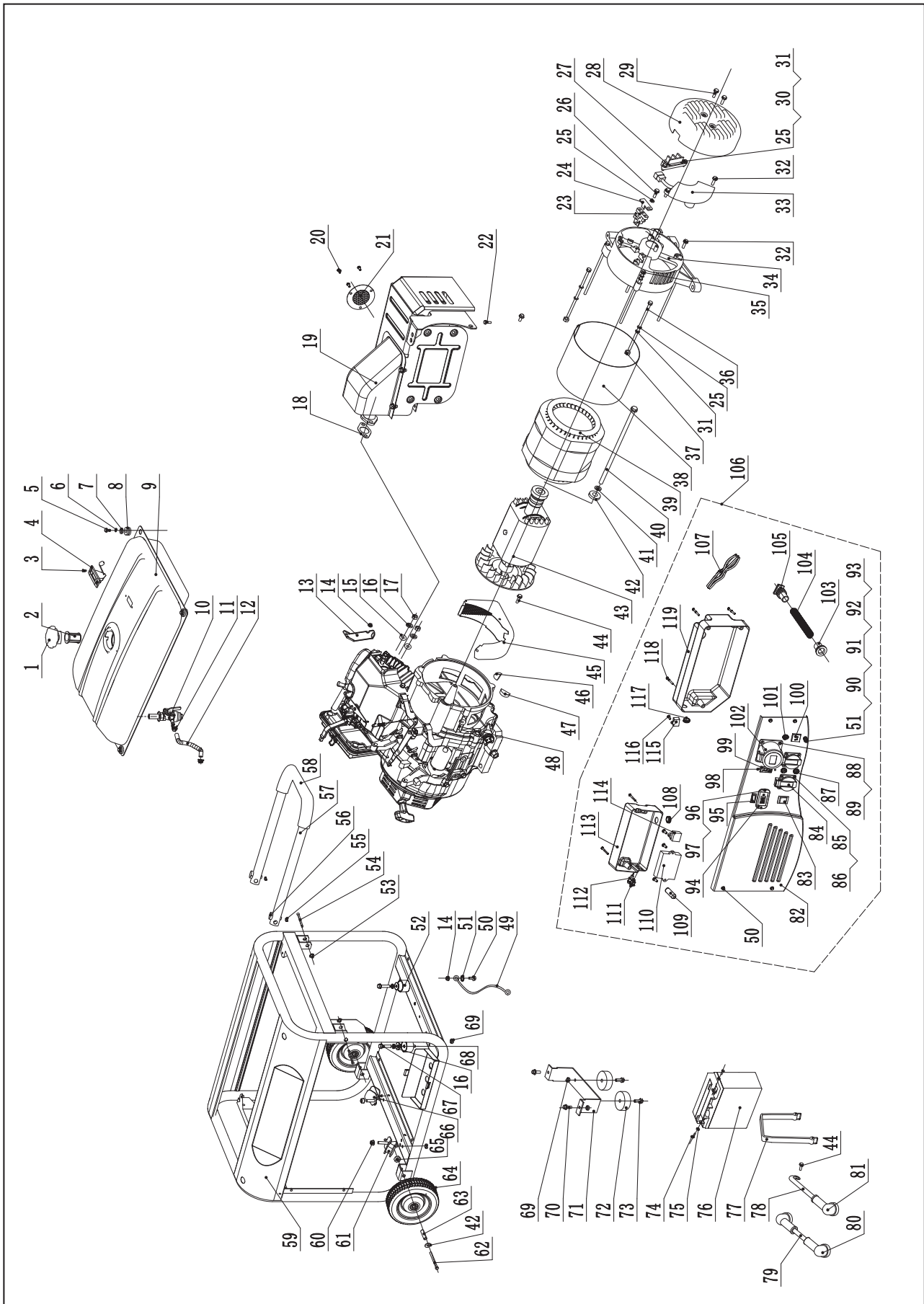
CPG4000 E1 (EU/SC) PARTS LIST

No	Part Number	Description	QTY
1	CPG4000E1-EU	Engine	1
2	122.190005.00	Rubber, Fore-Cover, B	1
3	122.190005.01	Rubber, Fore-Cover, A	1
4	124.191100.00	Rotor Assembly	1
5	2.08.022	Flange Bolt M8 x 242	1
6	124.191200.00	Stator Assembly	1
7	123.191002.00	Stator Cover	1
8	122.190002.00	End Housing	1
9	2.08.065	Flange Bolt M6 x 168	4
10	122.190300.00	Carbon Brush Assembly	1
11	122.190600.00	Diode Assembly	1
12	1.5783.0520	Bolt M5 x 20	1
13	1.93.05	Spring Washer φ5	2
14	1.5783.0516	Bolt M5 x 16	1
15	1.9074.17.0516	Screw/Washer Assembly M5 x 16	2
16	122.190200.00	AVR	1
17	1.16674.0516	Flange Bolt M5 x 16	2
18	122.190003.00.48	Generator End Cover Yellow	1
19	1.16674.0512.2	Flange Bolt M5 x 12	3
20	122.190400.00	Terminal Block	1
21	122.190004.01	Pinch	1
22	122.190018.00	Bracket,Muffler	1
23	1.16674.0820	Flange Bolt M8 x 20	3
24	122.190018.01	Bracket,Muffler	1
25	1.5789.0612	Flange Bolt M6 x 12	13
26	1.9074.4.0514	Screw And Washer Assembly M5 x 14	2
27	46.101503.08	Plate, Spark Arrester	1
28	46.101300.08	Spark Arrester Assembly	1
29	26.101000.00	Muffler	1
30	23.102000.03.2	Muffler Cover	1
31	1.6175.08	Nut M8	2
32	1.93.08	Spring Washer φ8	4
33	1.848.08	Washer φ8	2
34	21.100001.00	Muffler Gasket	1
35	23.090006.21	Holder,Air Cleaner	1
36	1.5789.0608	Flange Bolt M6 x 8	4
37	122.070011.05	Pipe,Fuel(5.5in)	1
38	2.06.007	Clamp	2
39	122.070400.03	Fuel Cock	1
40	122.071000.06.48	Fuel Tank Yellow	1
41	122.070015.01	Mount Vibration, Fuel Tank	4
42	2.03.004	Washer φ6	4
43	1.93.06	Spring Washer φ6	4
44	1.5789.0620.2	Flange Bolt M6 x 20	4
45	122.072000.02	Fuel Meter Assembly	1
46	1.819.0510	Screw M5 x 10	2

No	Part Number	Description	QTY
47	122.070300.02	Fuel Filter	1
48	122.070100.03	Fuel Tank Cap	1
49	62294.2.15.2	Frame	1
50	1.6177.1.08	Nut M8	12
51	122.201200.01	Motor Mount 1	1
52	122.201200.00	Motor Mount 2	1
53	1.5789.0835	Flange Bolt M8 x 35	2
54	1.96.08	Big Whashe φ8	2
55	152.201200.00	Motor Mount	2
56	122.201400.01	Rubber	4
57	1.6177.1.06	Nut M6	3
58	5.1900.026	Grounding Line	1
59	1.862.06	Lock Washer φ6	2
60	1.9074.3.0510	Bolt And Washer Assembly M5 x 10	2
61	1.6177.1.05	Flange Lock Nut M5	2
62	9.1000.075	Battery 12V 7.5AH	1
63	122.200901.02	Supporter,Battery	1
64	122.200902.01	Lock,Battery	1
65	1.5789.0845	Flange Bolt M8 x 45	2
66	5.1900.009	Black Wire,Battery	1
67	5.1900.010	Red Wire,Battery	1
68	152.200013.01.3	Jacket, Red	2
69	152.200013.01	Jacket, Black	1
70	122.159.9.2	Control Panel	1
71	5.1000.001.3	Switch	1
72	5.1120.013.1	Receptacle	2
73	1.819.0414.2	Screw M4 x 14	8
74	1.5783.0622.2	Bolt M6 x 22	1
75	1.6175.06.2	Nut M6	2
76	1.93.06.2	Spring Washer φ6	2
77	1.97.1.06.2	Washer φ6	2
78	5.1110.001	Receptacle (DC.12V)	1
79	5.1200.110.1	AC.10A Breaker	1
80	1.6177.1.04.2	Flange Nut M4	10
81	5.1220.130	AC.13A Breaker	1
82	1.9074.4.0306.2	Bolt and Washer Assembly M3 x 6	2
83	1.9074.4.0414.2	Bolt and Washer Assembly M4 x 14	2
84	5.1430.002	Intelligauge	1
85	5.1800.002	Rectifier	1
86	122.210002.14	Control Box	1
87	1.9074.1.0538.2	Bolt and Washer Assembly M5 x 38	3
88	122.210003.00	sheath,wire	1
89	122.210003.01	Plug, Control Box	1
90	5.1330.214	Plug	1
91	122.210003.03	Plug, End Cover	1

TECHNICAL DIAGRAMS

CPG6500 E2 (EU/SC) PARTS DIAGRAM



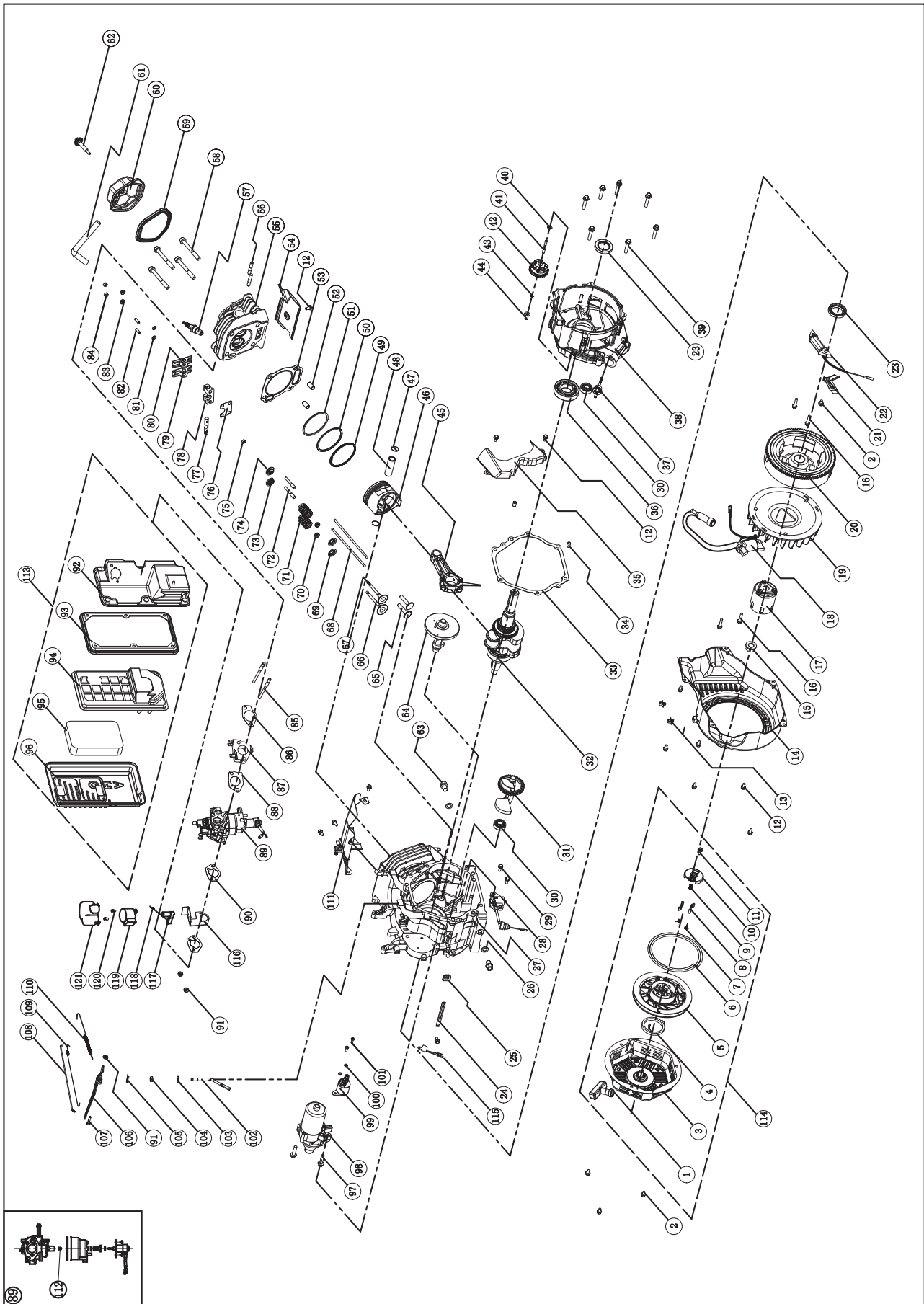
CPG6500 E2 (EU/SC) PARTS LIST

No	Part Number	Description	QTY
1	122.070100.03	Fuel Tank Cap	1
2	122.070300.02	Fuel Filter	1
3	1.819.0510	Screw M5 x 10	2
4	152.072000.03	Fuel Meter Assembly	1
5	1.5789.0620.2	Flange Bolt M6 x 20	4
6	1.93.06	Spring Washer Φ 6	4
7	2.03.004	Washer Φ 6	4
8	122.070015.01	Mount Vibration, Fuel Tank	4
9	152.071000.03.48	Fuel Tank	1
10	122.070400.03	Fuel Cock	1
11	2.06.007	Clamp	2
12	152.070011.06	Pipe, Fuel 170 mm	1
13	45.090006.20	Holder, Air Cleaner	1
14	1.6177.1.06	Nut M 6	2
15	1.848.08	Washer Φ 8	2
16	1.93.08	Spring Washer Φ 8	4
17	1.6175.08	Nut M8	2
18	46.100001.07	Muffler Gasket	1
19	46.101000.01.2	Muffler Assembly	1
20	1.9074.4.0510	Bolt And Washer Assembly M5 x 10	3
21	46.101300.00	Arrester Assembly, Spark	1
22	1.16674.0825	Flange Bolt M8x25	2
23	152.190300.00	Carbon Bursh Assembly	1
24	122.190004.01	Pinch	1
25	1.93.05	Spring Washer Φ 5	5
26	1.5783.0520	Bolt M5 x 20	1
27	122.190400.00	Terminal Block	1
28	152.190003.00.48	Generator End Cover	1
29	1.16674.0512.2	Flange Bolt M5 x 12	2
30	1.5783.0516	Bolt M5 x 16	2
31	1.97.1.05	Washer Φ 5	4
32	1.16674.0516	Flange Bolt M5 x 16	3
33	153.190200.05	AVR	1
34	152.190002.00	End Housing	1
35	2.08.032	Flange Bolt M6 x 179	4
36	2.08.035	Bolt M5 x 214	2
37	1.6175.05	Nut M5	2
38	152.191002.00	Stator Cover	1
39	152.191200.00	Stator Assembly	1
40	2.08.034	Flange Bolt M10 x 265	1
41	1.7244.10	Spring Washer Φ 10	1
42	1.96.10	Washer Φ 10	3
43	152.191100.00	Rotor Assembly	1
44	1.5789.0608	Flange Bolt M6 x 8	3
45	152.192300.00	Air Guide	1
46	152.190005.00	Rubber, Fore-Cover	1
47	152.190005.01	Rubber, Fore-Cover	1
48	CPG6500E2-EU	Engine	1
49	5.1900.026	Grounding Line	1
50	1.5789.0612	Flange Bolt M6 x 12	5
51	1.862.06	Lock Washer Φ 6	2
52	152.201200.00	Motor Mount	2
53	1.894.1.10	Circlip Φ 10	2
54	152.200703.04	Pin, Handle	2
55	1.894.1.08	Circlip Φ8	2
56	152.200703.02	Pin, Handle	2
57	152.200701.02.2	Handle	1
58	152.200702.02	Cover, Handle	1
59	65212.0.5.2	Frame	1
60	1.6177.1.10	Nut M10	2

No	Part Number	Description	QTY
61	152.201200.01	Motor Mount	1
62	1.5182.10120	Bolt M10 x 120	2
63	253.200016.00	Bush Φ 16 x Φ 10.5 x 69.5	2
64	152.201701.04.48	10 in Wheel	2
65	1.6182.10	Nut M10	2
66	152.201200.02	Motor Mount	1
67	1.5789.0835	Flange Bolt M8 x 35	2
68	1.96.08	Washer Φ 8	2
69	1.6177.1.08	Nut M8	8
70	1.5789.0816	Flange Bolt M8 x 16	2
71	152.200002.01.2	Support Leg	1
72	152.201400.00	Rubber, Support	2
73	1.5789.0825	Flange Bolt M8 x 25	2
74	1.9074.3.0510	Bolt And Washer Assembly M5 x 10	2
75	1.6177.1.05	Nut M5	2
76	9.1000.150	Battery 12V15 AH	1
77	152.200904.00	Pinch, Rubber	1
78	5.1900.025	Black Wire, Battery	1
79	5.1900.024	Red Wire, Battery	1
80	152.200013.01.3	Jacket, Red	2
81	152.200013.01	Jacket, Black	1
82	152.159.049.2	Control Panel	1
83	5.1000.001.3	Switch	1
84	5.1120.013	Receptacle	2
85	1.819.0414.2	Bolt and Washer Assembly M4 x 14	8
86	1.6177.1.04.2	Nut M4	8
87	5.1210.920	20Amp Circuit Breaker, Push Button	2
88	1.819.0516.2	Bolt and Washer Assembly M5 x 16	4
89	1.6177.1.05.2	Nut M5	4
90	1.5783.0622.3	Bolt M6 x 22	1
91	1.6175.06.3	Nut M6	2
92	1.93.06.3	Spring Washer Φ6	2
93	1.97.1.06.3	Washer Ø6, Green	2
94	5.1430.002	Intelligauge	1
95	5.1000.000.3	Switch	1
96	1.9074.4.0414.2	Screw And Washer Assembly M4 x 14	2
97	1.6177.1.04.2	Flange Lock Nut M4	2
98	1.9074.4.0306.2	Bolt M3 x 6	2
99	5.1230.217	21.7Amp Circuit Breaker	1
100	5.1110.001	Receptacle	1
101	5.1200.110.1	Breaker	1
102	5.1120.014	Receptacle	1
103	122.210003.01	Plug	1
104	5.1330.007	Sheath, Wire	1
105	152.210003.02	Plug	1
106	CPG6500E2-EU.21	Control Panel Assembly	1
107	CPG6500E2-EU.21.10	Wire Assembly	1
108	122.210003.00	Plug	1
109	5.1280.003	Fuse(10A)	1
110	5.1830.001	Remote Control Module	1
111	5.1040.004	Switch	1
112	5.1460.003	Indicator light	1
113	152.210002.11	Control Box	1
114	5.1820.000	Charger	1
115	5.1800.000	Rectifier	1
116	1.823.0514.2	Screw M5 x 14	4
117	122.210003.00	Plug	1
118	1.9074.1.0538.2	Bolt and Washer Assembly M5 x 38	5
119	152.210002.09	Control Box	1

TECHNICAL DIAGRAMS

CPG6500 E2 (EU/SC) PARTS DIAGRAM

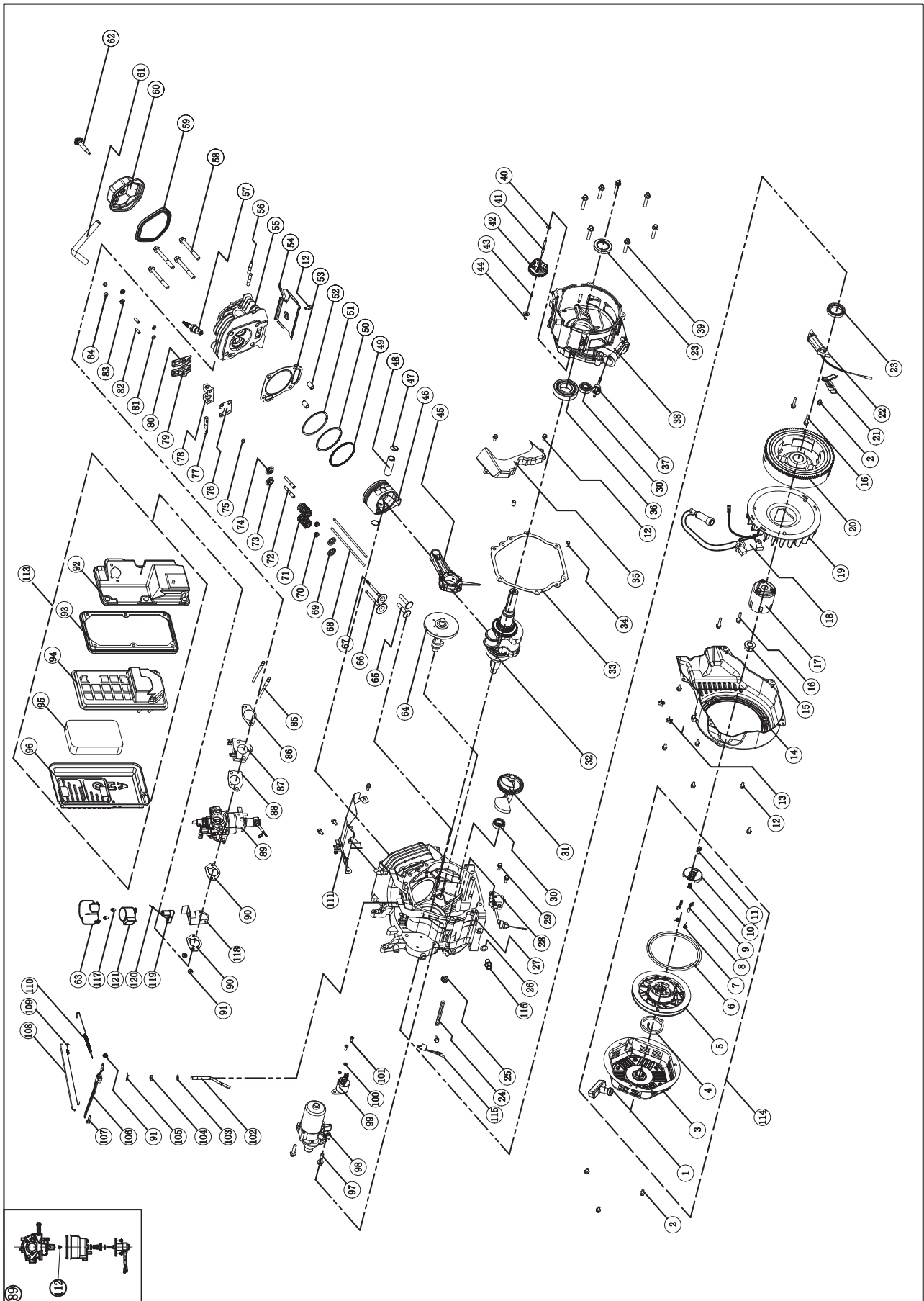


CPG6500 E2 (EU/SC) PARTS LIST

No.	Alias	Description	Qty.	No.	Alias	Description	Qty.
1	21.061300.00	Handle, Recoil, Soft	1	62	45.020100.00	Bolt, Cylinder Head Cover	1
2	1.5789.0608	Flange Bolt M6 × 8	4	63	2.08.039	Drain Bolt M10 × 1.25 × 25	2
3	46.061100.00.2	Cover, Recoil Starter, Black	1	64	46.041000.00	Camshaft	1
4	45.060005.00	Spring, Recoil Starter	1	65	45.040013.00	Lifter, Valve	2
5	45.061102.00	Reel, Recoil Starter	1	66	45.040002.00	Valve, Intake	1
6	2.10.003	Rope Ø5 × 1550	1	67	45.040006.00	Valve, Exhaust	1
7	45.060003.00	Spring, Ratchet	2	68	46.040005.00	Push Rod	2
8	45.060002.00	Starter Ratchet, Steel	2	69	45.040015.00	Retainer, Valve Spring Down	2
9	45.060009.00	Spring, Ratchet Guide	1	70	45.040017.00	Oil Seal, Valve	2
10	45.060007.00	Ratchet Guide	1	71	45.040003.00	Spring, Valve	2
11	45.060008.00	Screw, Ratchet Guide	1	72	23.040010.00	Bolt, Rocker Arm	2
12	1.5789.0612	Flange Bolt M6 × 12	12	73	45.040001.00	Retainer, Intake Valve Spring	1
13	2.05.005	Clamp Ø6	2	74	45.040007.00	Retainer, Exhaust Valve Spring	1
14	46.080100.01.48	Fan Cover, Yellow	1	75	45.040008.00	Rotator, Exhaust Valve	1
15	2.02.007	Nut M16 × 1.5	1	76	46.040004.00	Guide Plate, Push Rod	1
16	1.5789.0629	Flange Bolt M6 × 29	4	77	46.040016.00	Shaft, Rocker Arm	1
17	45.060001.00	Pulley, Starter	1	78	46.040201.00	Retainer, Rocker Arm	1
18	46.123000.03	Ignition Coil, Silicon Rubber	1	79	46.040009.00	Rocker Arm, Intake Valve	1
19	45.080001.00	Cooling Fan	1	80	46.040018.00	Rocker Arm, Exhaust Valve	1
20	46.120100.04	Flywheel	1	81	1.97.1.06	Washer Ø6	2
21	45.030006.00	Plate, Coil	1	82	22.040012.00	Screw, Valve Adjustment	2
22	45.121000.00	Coil, Charging	1	83	1.6177.1.06	Flange Nut M6	2
23	2.11.007	Oil Seal Ø35 × Ø52 × 8	2	84	21.040021.00	Nut M6 × 0.5, Lock	2
24	2.05.050	Wire Clip, 100 mm	1	85	2.01.008	Stud Bolt M6 × M8 × 105	2
25	45.030032.00	Sheath, Wire	1	86	46.130002.20	Gasket, Insulator	1
26	2.03.023	Washer Ø12.5 × Ø20 × 2, Drain Bolt	2	87	45.130001.00	Insulator, Carburetor	1
27	46.030100.01	Crankcase	1	88	46.130003.20	Gasket, Carburetor	1
28	45.127000.02	Oil Level Sensor	1	89	46.131000.22	Carburetor	1
29	1.5789.0615	Flange Bolt M6 × 15	2	90	46.130004.20	Gasket, Air Cleaner	2
30	1.276.6202	Bearing 6202	2	91	1.6177.06	Flange Nut M6	3
31	47.050006.00	Weight Balancer	1	92	46.091100.04	Base, Air Cleaner	1
32	45.050100.14	Crankshaft	1	93	45.091002.20	Seal, Air Cleaner	1
33	46.030008.00	Gasket, Crankcase Cover	1	94	45.091001.20	Separator, Air Cleaner	1
34	2.04.001	Dowel Pin Ø9 × 14	2	95	45.091003.20	Element, Air Cleaner	1
35	46.080600.00	Air Guide, Right Side	1	96	46.091200.04	Cover, Air Cleaner	1
36	1.276.6207	Bearing 6207	1	97	1.5789.0835	Flange Bolt M8 × 35	2
37	46.031000.01.48	Oil Dipstick Assembly, Yellow	1	98	45.125100.00	Starter Motor Assembly	1
38	45.030007.00	Cover, Crankcase	1	99	45.125200.01	Relay, Starter, Remote Control	1
39	1.5789.0840.0.8	Flange Bolt M8 × 40	7	100	1.93.05	Lock Washer Ø5	2
40	2.03.021.1	Washer Ø6.4 × Ø13 × 1, Black	1	101	1.16674.0516	Flange Bolt M5 × 16	2
41	45.110013.00	Shaft, Governor Gear	1	102	45.110001.00	Shaft, Governor Arm	1
42	45.110100.00	Gear, Governor	1	103	2.03.019	Washer Ø8.2 × Ø17 × 0.8	1
43	21.110011.00	Clip, Governor Gear	1	104	2.11.006	Oil Seal Ø7 × Ø14 × 5	1
44	45.110012.00	Bushing, Governor Gear	1	105	45.110008.00	Pin, Shaft	1
45	47.050200.00	Connecting Rod	1	106	45.110003.00	Arm, Governor	1
46	46.050005.00	Piston	1	107	2.08.040	Bolt M6 × 21, Governor Arm	1
47	2.09.004	Circlip Ø21 × Ø1	2	108	45.110006.00	Rod, Governor	1
48	45.050003.00	Pin, Piston	1	109	45.110005.00	Spring, Throttle Return	1
49	45.050303.00	Ring, Oil	1	110	45.110007.00	Spring, Governor	1
50	46.050302.00	Ring, Second Piston	1	111	46.080300.20	Air Guide, Upper	1
51	46.050301.00	Ring, First Piston	1	112	46.131017.20	Main Jet, Standard	1
52	2.04.004	Dowel Pin Ø12 × 20	2	113	46.091000.04	Air Cleaner Assembly	1
53	46.030009.01	Gasket, Cylinder Head	1	114	46.061000.00	Recoil Assembly	1
54	46.080400.00	Air Guide, Lower	1	115	21.120400.00	Diode Assembly	1
55	46.010100.00	Cylinder Head	1	116	45.130005.01	Support, Stepper Motor	1
56	2.01.010	Stud Bolt M8 × 35	2	117	26.130015.24	Connector, Choke Valve Axis	1
57	2.15.001(F6TC)	Spark Plug F6TC	1	118	81.130010.00	Spring, Connector	1
58	2.08.014	Flange Bolt M10 × 80	4	119	45.132200.01	Stepper Motor	1
59	46.020002.00	Gasket, Cylinder Head Cover	1	120	1.823.0408	Screw M4 × 8	2
60	46.021000.00	Cover, Cylinder Head	1	121	81.132001.00	Cover, Stepper Motor	1
61	45.020001.02	Breather Tube	1				

TECHNICAL DIAGRAMS

CPG9000 E2 (EU/SC) PARTS DIAGRAM



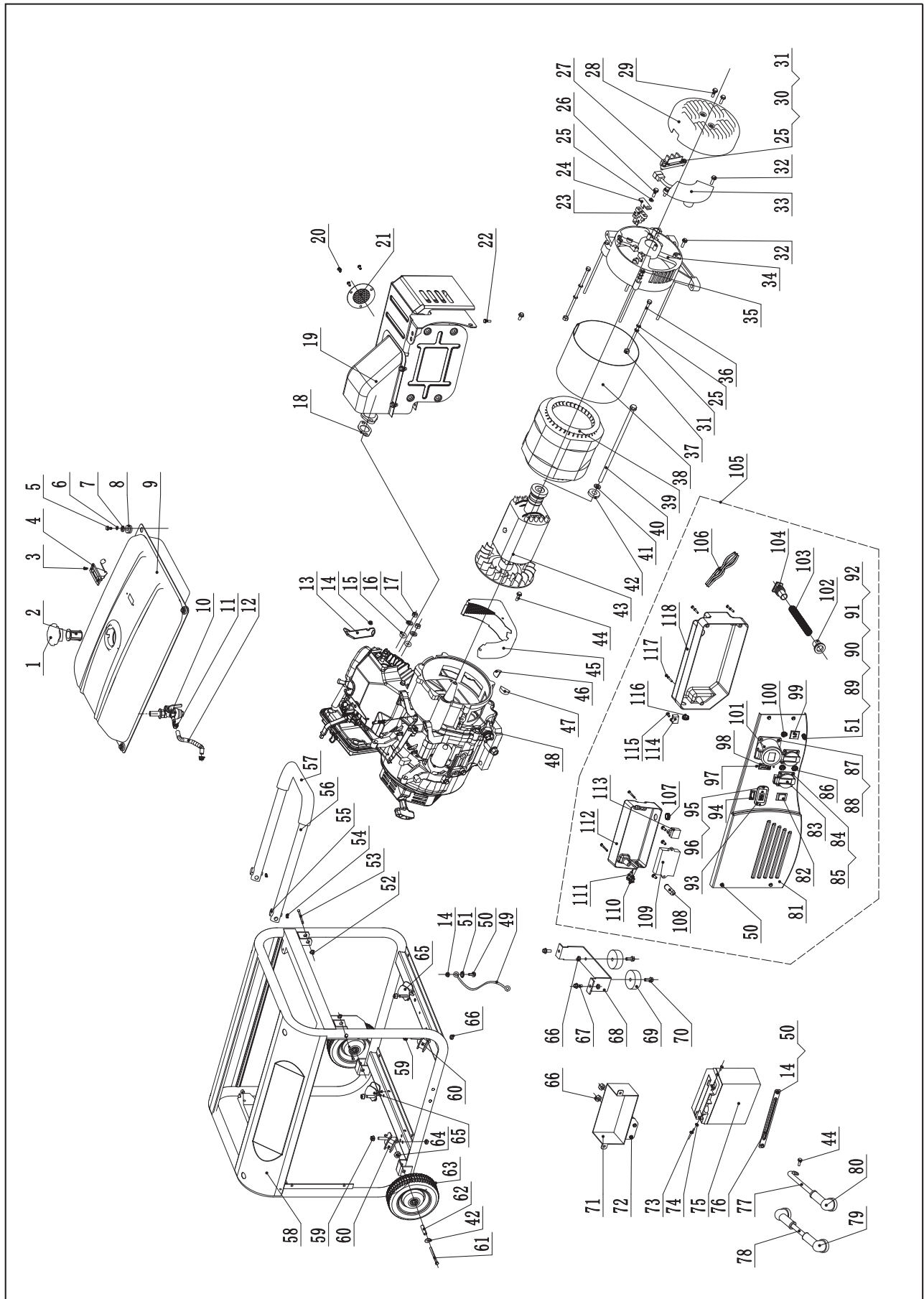
CPG9000 E2 (EU/SC) PARTS LIST

No.	Part Number	Description	Qty
1	21.061300.00	Handle, Recoil, Soft	1
2	1.5789.0608	Flange Bolt M6 × 8	4
3	46.061100.00.2	Cover, Recoil Starter, Black	1
4	45.060005.00	Spring, Recoil Starter	1
5	45.061102.00	Reel, Recoil Starter	1
6	2.10.003	Rope Ø5 × 1550	1
7	45.060003.00	Spring, Ratchet	2
8	45.060002.00	Starter Ratchet, Steel	2
9	45.060009.00	Spring, Ratchet Guide	1
10	45.060007.00	Ratchet Guide	1
11	45.060008.00	Screw, Ratchet Guide	1
12	1.5789.0612	Flange Bolt M6 × 12	12
13	2.05.001	Clamp Ø8 × 6.5	2
14	47.080100.01.48	Fan Cover, Yellow	1
15	2.02.007	Nut M16 × 1.5	1
16	1.5789.0629	Flange Bolt M6 × 29	4
17	45.060001.00	Pulley, Starter	1
18	46.123000.03	Ignition Coil, Silicon Rubber	1
19	48.080001.00	Cooling Fan	1
20	46.120100.04	Flywheel	1
21	45.030006.00	Plate, Coil	1
22	45.121000.00	Coil, Charging	1
23	2.11.007	Oil Seal Ø35 × Ø52 × 8	2
24	2.05.050	Wire Clip 100 mm	1
25	152.070031.01	Sheath, Wire	1
26	2.03.023	Washer Ø12.5 × Ø20 × 2, Drain Bolt	1
27	48.030100.00	Crankcase	1
28	45.127000.02	Oil Level Sensor	1
29	1.5789.0615	Flange Bolt M6 × 15	2
30	1.276.6202	Bearing 6202	2
31	48.050006.00	Weight Balancer	1
32	47.050100.01	Crankshaft	1
33	46.030008.00	Gasket, Crankcase Cover	1
34	2.04.001	Dowel Pin Ø9 × 14	2
35	46.080600.00	Air Guide, Right Side	1
36	1.276.6207	Bearing 6207	1
37	46.031000.01.48	Oil Dipstick Assembly, Yellow	1
38	45.030007.00	Cover, Crankcase	1
39	1.5789.0840.0.8	Flange Bolt M8 × 40	7
40	2.03.021.1	Washer Ø6.4 × Ø13 × 1, Black	1
41	45.110013.00	Shaft, Governor Gear	1
42	45.110100.00	Gear, Governor	1
43	21.110011.00	Clip, Governor Gear	1
44	45.110012.00	Bushing, Governor Gear	1
45	47.050200.00	Connecting Rod	1
46	48.050005.00	Piston	1
47	2.09.004	Circlip Ø21 × Ø1	2
48	45.050003.00	Pin, Piston	1
49	48.050303.00	Ring, Oil	1
50	48.050302.00	Ring, Second Piston	1
51	48.050301.00	Ring, First Piston	1
52	2.04.004	Dowel Pin Ø12 × 20	2
53	48.030009.00	Gasket, Cylinder Head	1
54	46.080400.00	Air Guide, Lower	1
55	47.010100.01	Cylinder Head	1
56	2.01.010	Stud Bolt M8 × 35	2
57	2.15.001(F6TC)	Spark Plug F6TC	1
58	2.08.122	Flange Bolt M10 × 95	4
59	46.020002.00	Gasket, Cylinder Head Cover	1
60	47.021000.00	Cover, Cylinder Head	1
61	45.020001.02	Breather Tube	1

No.	Part Number	Description	Qty
62	47.020100.00	Bolt, Cylinder Head Cover	1
63	81.132001.00	Cover, Stepper Motor	1
64	48.041000.00	Camshaft	1
65	48.040013.00	Lifter, Valve	2
66	47.040002.00	Valve, Intake	1
67	47.040006.00	Valve, Exhaust	1
68	46.040005.00	Push Rod	2
69	45.040015.00	Retainer, Valve Spring	2
70	45.040017.00	Oil Seal, Valve	2
71	45.040003.00	Spring, Valve	2
72	23.040010.00	Bolt, Rocker Arm	2
73	45.040001.00	Retainer, Intake Valve Spring	1
74	45.040007.00	Retainer, Exhaust Valve Spring	1
75	45.040008.00	Rotator, Exhaust Valve	1
76	46.040004.00	Guide Plate, Push Rod	1
77	46.040016.00	Shaft, Rocker Arm	1
78	46.040201.00	Retainer, Rocker Arm	1
79	46.040009.00	Rocker Arm, Intake Valve	1
80	46.040018.00	Rocker Arm, Exhaust Valve	1
81	1.97.1.06	Washer Ø6	2
82	22.040012.00	Screw, Valve Adjustment	2
83	1.6177.1.06	Flange Nut M6	2
84	21.040021.00	Nut M6 × 0.5, Lock	2
85	2.01.008	Stud Bolt M6 × M8 × 105	2
86	46.130002.20	Gasket, Insulator	1
87	45.130001.00	Insulator, Carburetor	1
88	46.130003.20	Gasket, Carburetor	1
89	48.131000.11	Carburetor	1
90	46.130004.20	Gasket, Air Cleaner	2
91	1.6177.06	Flange Nut M6	3
92	46.091100.04	Base, Air Cleaner	1
93	45.091002.20	Seal, Air Cleaner	1
94	45.091001.20	Separator, Air Cleaner	1
95	45.091003.20	Element, Air Cleaner	1
96	46.091200.04	Cover, Air Cleaner	1
97	1.5789.0835	Flange Bolt M8 × 35	2
98	48.125100.00	Starter Motor Assembly	1
99	45.125200.01	Relay, Starter, Remote Control	1
100	1.93.05	Lock Washer Ø5	2
101	1.16674.0516	Flange Bolt M5 × 16	2
102	45.110001.00	Shaft, Governor Arm	1
103	2.03.019	Washer Ø8.2 × Ø17 × 0.8	1
104	2.11.006	Oil Seal Ø7 × Ø14 × 5	1
105	45.110008.00	Pin, Shaft	1
106	45.110003.01	Arm, Governor	1
107	2.08.040	Bolt M6 × 21, Governor Arm	1
108	45.110006.00	Rod, Governor	1
109	45.110005.00	Spring, Throttle Return	1
110	45.110007.00	Spring, Governor	1
111	46.080300.20	Air Guide, Upper	1
112	48.131017.01	Main Jet, Standard	1
	48.131017.01.01	Main Jet, Altitude	/
113	46.091000.04	Air Cleaner Assembly	1
114	46.061000.00	Recoil Assembly	1
115	21.120400.00	Diode Assembly	1
116	2.08.039	Drain Bolt M10 × 1.25 × 25	1
117	1.823.0408	Screw M4 × 8	2
118	45.130005.01	Support, Stepper Motor	1
119	26.130015.24	Connector, Choke Valve Axis	1
120	81.130010.00	Spring, Connector	1
121	45.132200.01	Stepper Motor	1

TECHNICAL DIAGRAMS

CPG9000 E2 (EU/SC) PARTS DIAGRAM



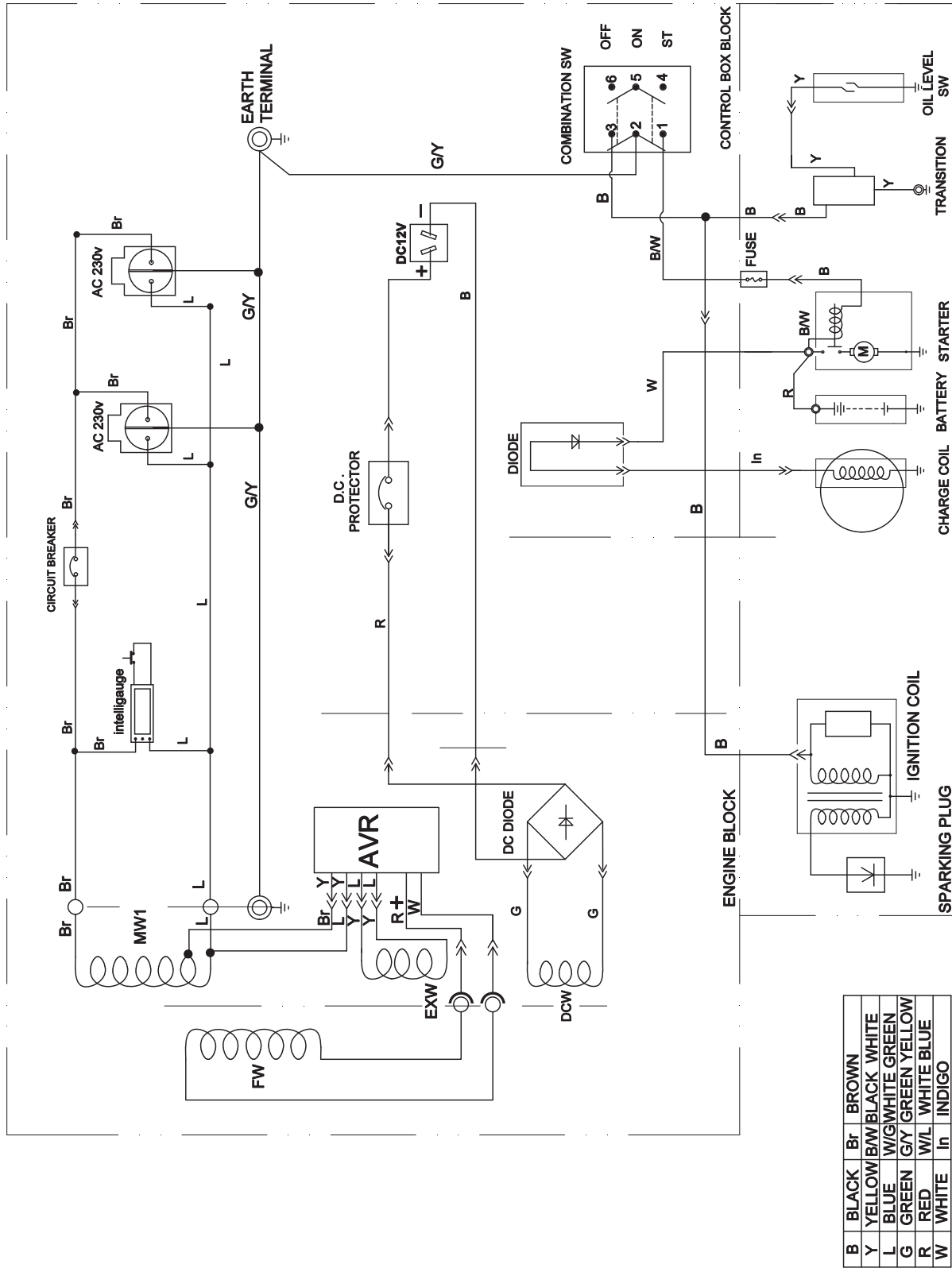
CPG9000 E2 (EU/SC) PARTS LIST

No	Part Number	Destription	QTY
1	122.070100.03	Fuel Tank Cap	1
2	122.070300.02	Fuel Filter	1
3	1.819.0510	Screw M5 x 10	2
4	152.072000.03	Fuel Meter Assembly	1
5	1.5789.0620.2	Flange Bolt M6 x 20	4
6	1.93.06	Spring Washer Φ 6	4
7	2.03.004	Washer Φ 6	4
8	122.070015.01	Mount Vibration, Fuel Tank	4
9	152.071000.03.48	Fuel Tank	1
10	122.070400.03	Fuel Cock	1
11	2.06.007	Clamp	2
12	152.070011.06	Pipe,Fuel (6.7 in)	1
13	45.090006.20	Holder, Air Cleaner	1
14	1.6177.1.06	Nut M 6	4
15	1.848.08	Washer Φ 8	2
16	1.93.08	Spring Washer Φ 8	2
17	1.6175.08	Nut M8	2
18	46.100001.07	Muffler Gasket	1
19	46.101000.01.2	Muffler Assembly	1
20	1.9074.4.0510	Bolt And Washer Assembly M5 x 10	3
21	46.101300.00	Arrester Assembly, Spark	1
22	1.16674.0825	Flange Bolt M8x25	2
23	152.190300.00	Carbon Bursh Assembly	1
24	122.190004.01	Pinch	1
25	1.93.05	Spring Washer Φ 5	5
26	1.5783.0520	Bolt M5 x 20	1
27	122.190400.00	Terminal Block	1
28	152.190003.00.48	Generator End Cover	1
29	1.16674.0512.2	Flange Bolt M5 x 12	2
30	1.5783.0516	Bolt M5 x 16	2
31	1.97.1.05	Washer Φ 5	4
32	1.16674.0516	Flange Bolt M5 x 16	3
33	154.190200.02	AVR	1
34	152.190002.00	End Housing	1
35	2.08.069	Flange Bolt M6 x 194	4
36	2.08.071	Bolt M5 x 229	2
37	1.6175.05	Nut M5	2
38	154.191002.00	Stator Cover	1
39	154.191200.01	Stator Assembly	1
40	2.08.070	Flange Bolt M10 x 280	1
41	1.7244.10	Spring Washer Φ 10	1
42	1.96.10	Washer Φ 10	3
43	154.191100.00	Rotor Assembly	1
44	1.5789.0608	Flange Bolt M6 x 8	3
45	152.192300.00	Air Guide	1
46	152.190005.00	Rubber, Fore-Cover	1
47	152.190005.01	Rubber, Fore-Cover	1
48	CPG9000E2-EU	Engine	1
49	5.1900.026	Grounding Line	1
50	1.5789.0612	Flange Bolt M6 x 12	7
51	1.862.06	Lock Washer Φ 6	2
52	1.894.1.10	Circlip Φ 10	2
53	152.200703.04	Pin,Handle	2
54	1.894.1.08	Circlip Φ8	2
55	152.200703.02	Pin, Handle	2
56	152.200701.02.2	Handle	1
57	152.200702.02	Cover, Handle	1
58	65264.0.10.2	Frame	1
59	1.6177.1.10	Nut M10	4

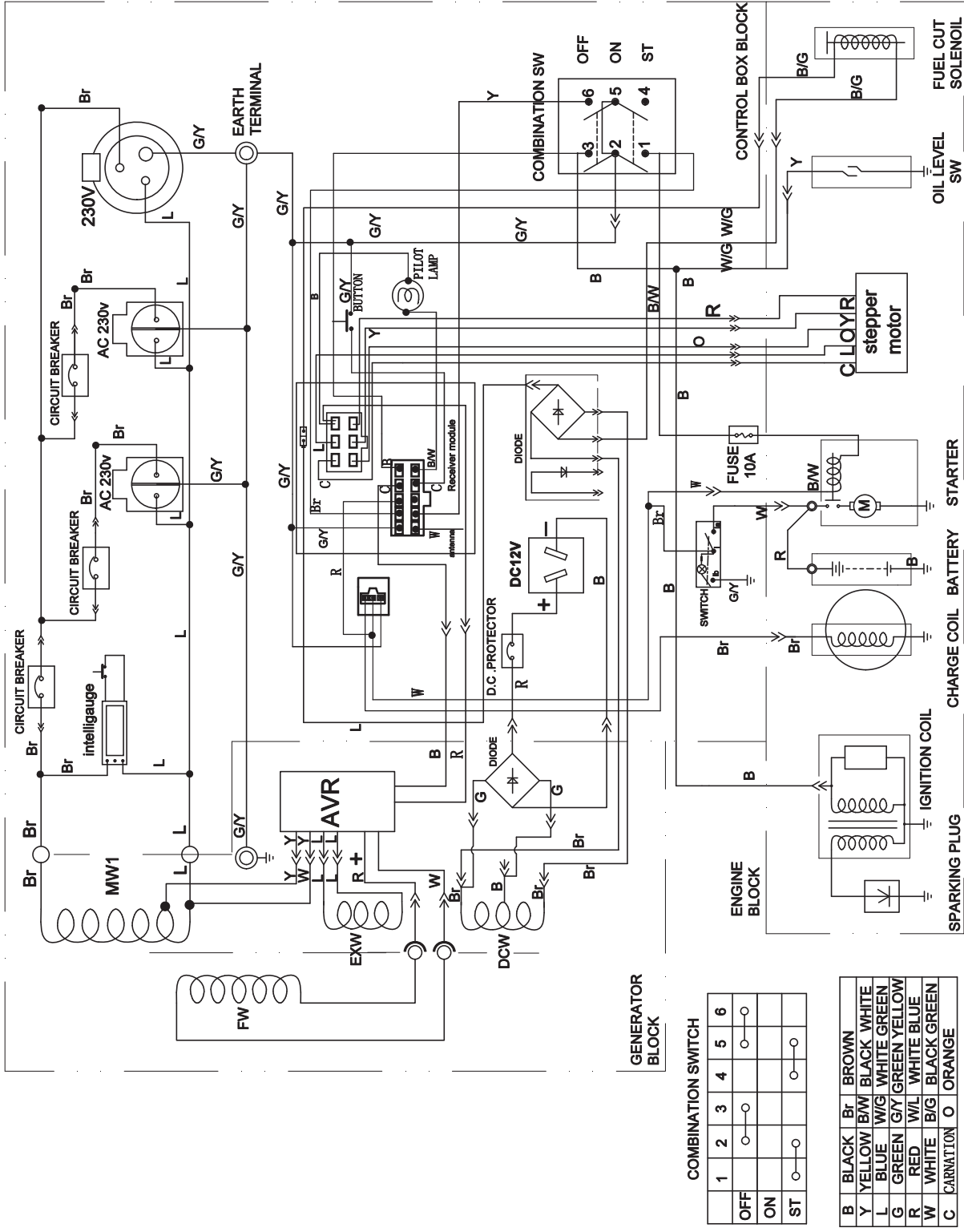
No	Part Number	Destription	QTY
60	152.201200.01	Motor Mount	2
61	1.5182.10120	Bolt M10 x 120	2
62	253.200016.00	Bush Φ 16 x Φ 10.5 x 69.5	2
63	152.201701.04.48	10 in Wheel	2
64	1.6182.10	Nut M10	2
65	152.201200.02	Motor Mount	2
66	1.6177.1.08	Nut M8	12
67	1.5789.0816	Flange Bolt M8 x 16	2
68	152.200002.01.2	Support Leg	1
69	152.201400.00	Rubber, Support	2
70	1.5789.0825	Flange Bolt M8 x 25	2
71	152.200901.06.2	Battery Support	1
72	1.16674.0835	Flange Bolt M8 x 35	2
73	1.9074.3.0510	Bolt And Washer Assembly M5 x 10	2
74	1.6177.1.05	Nut M5	2
75	9.1000.150	Battery 12V15 AH	1
76	152.200902.01.2	Pinch, Rubber	1
77	5.1900.025	Black Wire, Battery	1
78	5.1900.024	Red Wire, Battery	1
79	152.200013.01.3	Jacket, Red	2
80	152.200013.01	Jacket, Black	1
81	152.159.049.2	Control Panel	1
82	5.1000.001.3	Switch	1
83	5.1120.013	Receptacle	2
84	1.819.0414.2	Bolt and Washer Assembly M4 x 14	8
85	1.6177.1.04.2	Nut M4	8
86	5.1210.920	20Amp Circuit Breaker, Push Button	2
87	1.819.0516.2	Bolt and Washer Assembly M5 x 16	4
88	1.6177.1.05.2	Nut M5	4
89	1.5783.0622.3	Bolt M6 x 22	1
90	1.6175.06.3	Nut M6	2
91	1.93.06.3	Spring Washer Φ6	2
92	1.97.1.06.3	Washer Ø6, Green	2
93	5.1430.002	Intelligauge	1
94	5.1000.000.3	Switch	1
95	1.9074.4.0414.2	Screw And Washer Assembly M4 x 14	2
96	1.6177.1.04.2	Flange Lock Nut M4	2
97	1.9074.4.0306.2	Bolt M3 x 6	2
98	5.1230.304	30.4Amp Circuit Breaker	1
99	5.1110.001	Receptacle	1
100	5.1200.110.1	Breaker	1
101	5.1120.014	Receptacle	1
102	122.210003.01	Plug	1
103	5.1330.007	Sheath, Wire	1
104	152.210003.02	Plug	1
105	CPG9000E2-EU.21	Control Panel Assembly	1
106	CPG9000E2-EU.21.10	Wire Assembly	1
107	122.210003.00	Plug	1
108	5.1280.003	Fuse(10A)	1
109	5.1830.001	Remote Control Module	1
110	5.1040.004	Switch	1
111	5.1460.003	Indicator light	1
112	152.210002.11	Control Box	1
113	5.1820.000	Charger	1
114	5.1800.000	Rectifier	1
115	1.823.0514.2	Screw M5 x 14	4
116	122.210003.00	Plug	1
117	1.9074.1.0538.2	Bolt and Washer Assembly M5 x 38	5
118	152.210002.09	Control Box	1

TECHNICAL DIAGRAMS

CPG2500 (EU/SC), CPG3500 (EU/SC) & CPG4000 E1 (EU/SC) WIRING DIAGRAM



CPG65000 E2 (EU/SC) & CPG 9000 E2 (EU/SC) WIRING DIAGRAM



EN

CHAMPION
GLOBAL POWER EQUIPMENT TM-MC