

AFTER CARE

To maintain the appearance of this tap, ensure that it is regularly cleaned only using a clean, soft damp cloth. A solution of warm water and a mild liquid detergent may be used where necessary, and then the fitting rinsed thoroughly and wiped dry. Abrasive cleaners, scouring cleaners and acid cleaners **must not be used** under any circumstances. All bath cleaning powders and liquids will damage the surface of your fitting even the non-scratch cleaners. Avoid contact with all solvents and any harsh household chemicals. You will damage the finish and void your guarantee.

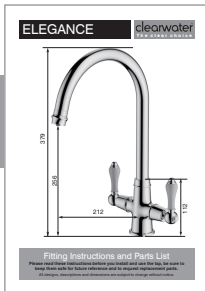
GUARANTEE AND LIABILITY

In the unlikely event that you should experience any defect in the material or workmanship of your mixer tap within 5 years of purchase, we will replace the faulty part free of charge. Decorative surface finishes are guaranteed for one year from the date of purchase provided that our advise concerning care has been observed and no scouring agents have been used. This is provided that the mixer or tap has been used for normal domestic purposes in the UK and that the care, installation and maintenance instructions have been observed.

Scuff and scratches caused by normal wear and tear, improper installation or accidental damage are excluded from this guarantee.

You should retain a copy of your dated invoice as proof of purchase to validate any claims under this guarantee.

No other warranties, express or implied, are made, including merchantability or fitness for a particular purpose.



Please Keep Me Safe

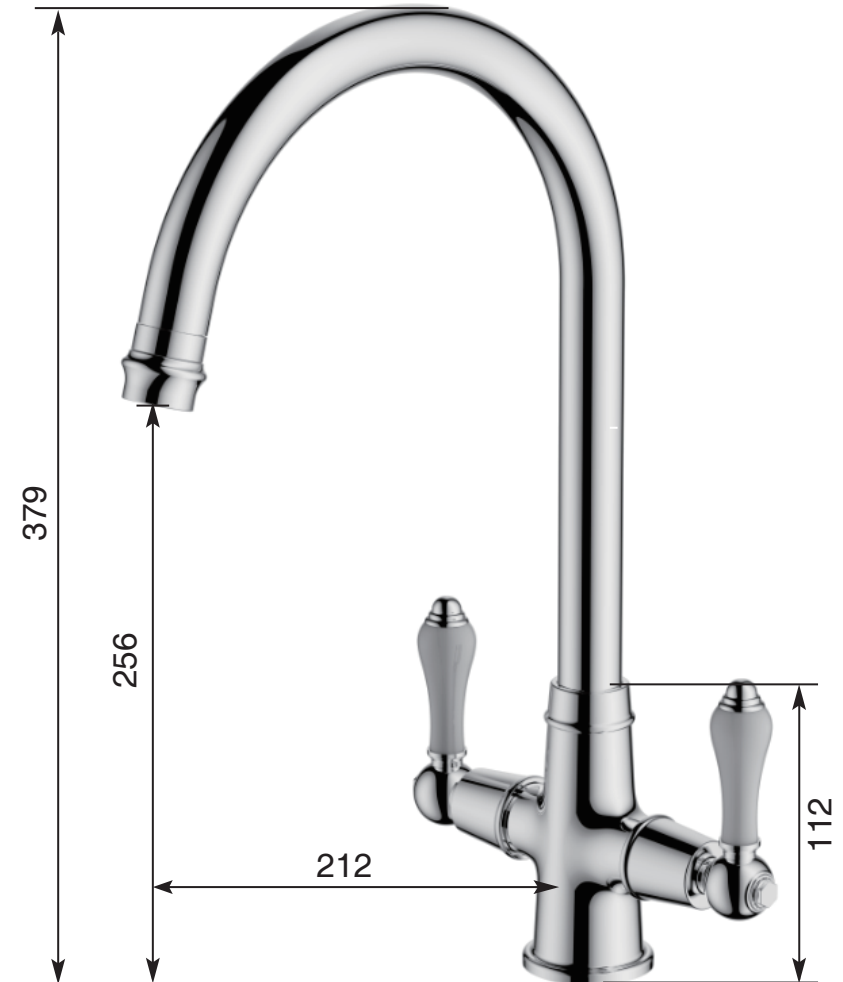
Spare Parts and Service



Contact: **Sterling**
Phone: **01684 299555**
Fax: **01684 290958**
Email: sales@sterling.eu.com
Website: www.sterling.eu.com

ELEGANCE

clearwater®
The clear choice

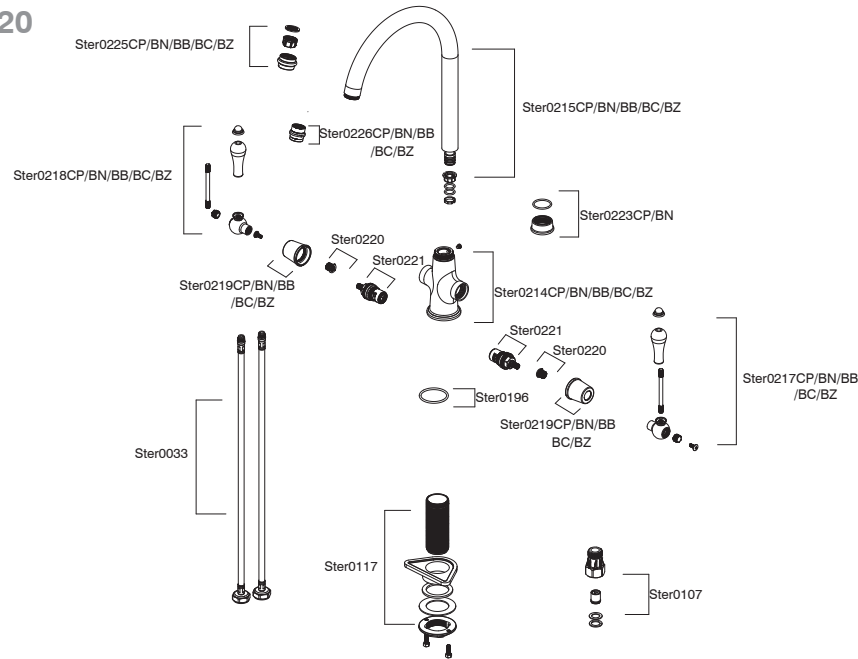


Fitting Instructions and Parts List

Please read these instructions before you install and use the tap, be sure to keep them safe for future reference and to request replacement parts.

All designs, descriptions and dimensions are subject to change without notice.

ELEGANCE EL20



In the unlikely event you find a part missing please contact our Customer Service Helpline on 01684 299555 for immediate despatch of part.

MAINTENANCE

IF THE FITTING BEGINS TO DRIP

- 1 Turn off the water supply
- 2 Loosen grub screw under handle, remove handle and valve
- 3 Carefully clean seating, rubber washer and ceramic disc
- 4 Replace valve and handle, then turn on the water supply
- 5 If problem persists contact our helpline quoting the product code

Where an aerator is fitted to the outlet of the spout, it will need occasional cleaning. This will be evident when the water flow slows down to an unacceptable level. To accomplish this unscrew the outlet in an anti-clockwise direction and remove the mesh. Immerse the mesh in a suitable descaling fluid overnight, rinse thoroughly in clean water and re-install.

REMEMBER

- Maximum water supply pressure **5 bar (75PSI)**
- Minimum water supply pressure **0.5 bar** with the smart aerator
- Minimum water supply pressure **0.3 bar** with the regular aerator
- Maximum hot water supply temperature **70 °C**
- Recommended hot water supply temperature **65 °C**

If these temperatures or water pressure are exceeded, damage to the tap can result. A pressure reducing valve may be required to be fitted in high water pressure situations.



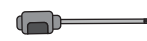
It is very important that you read through the following instructions BEFORE you install and use the tap.

PREPARATION

We strongly recommend installing particle filters and isolation valves to both hot and cold feeds. This will help to prevent premature failure of valves and make any future maintenance easier. Flush the plumbing system before installing the mixer tap. This is to avoid plumbing residues clogging the mesh of the aerated outlet, or possibly damaging the valve's washers. This is especially important where extensive plumbing work has been carried out. First shut off your water heating system then, with your mains stop cock closed, open the lowest hot and cold taps in the house and allow to run until the cold storage tank and pipes are empty. (The hot water storage cylinder always remains full).

INSTALLATION

Tools Required (Not Included)



Cross-Headed
Screwdriver



Adjustable
Spanner

Figure 1

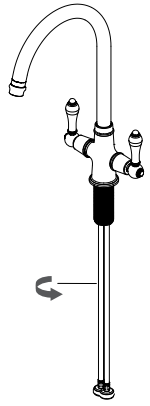


Figure 2

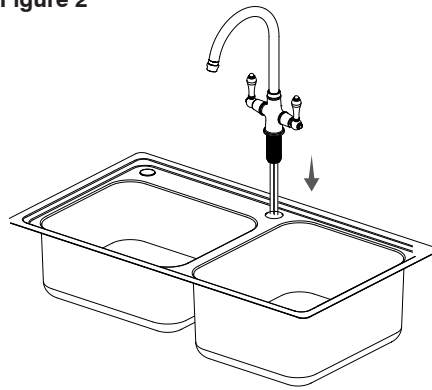


Figure 3

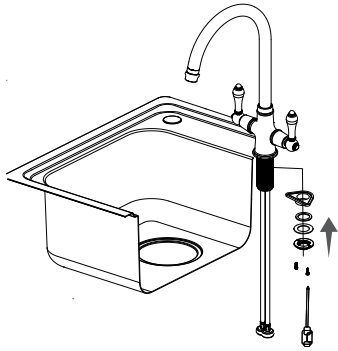


Figure 4

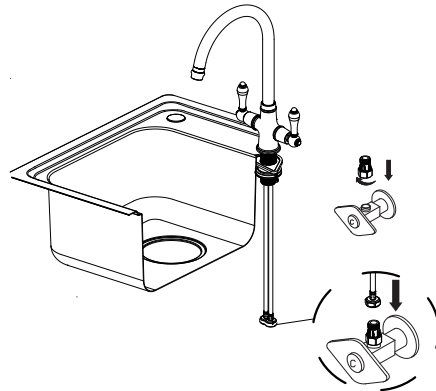
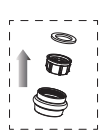
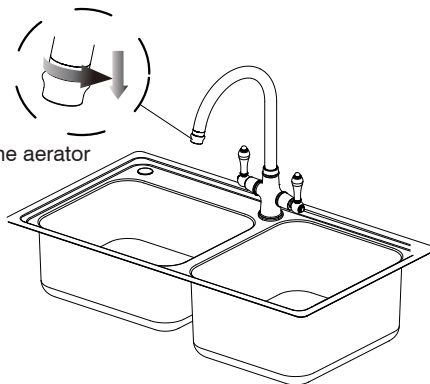


Figure 5



Replace the aerator



- Before installation, please confirm whether the flexible hose (ster0033) is tightened, and tighten it completely by hand. **(Figure 1)**
- Pass the flexible hoses and threaded stud through the sink top from above and place the mixer in position on the sink. **(Figure 2)**
(Make sure that sealing washer has been fitted to the mixer body.)
- Slide the flat washer and fixing nut up the flexible hoses, and then screw the nut all the way up making sure the tap is in the correct position. **(Figure 3)**
(Note: The thickness of sink > 35mm no need to use the mounting seat.)
- Connect the Check valve marked Ster0107 to the cold tail. **(Figure 4)**
- Having first checked all new connections, turn on the mains stop cock, close all taps except the new mixer and as the system starts to refill check for leaks.
- If you feel that the flow rate is too low during use, you can unscrew the upper section of the smart aerator (Ster0226) counterclockwise to remove the smart aerator and replace the regular aerator (Ster0225). **(Figure 5)**