



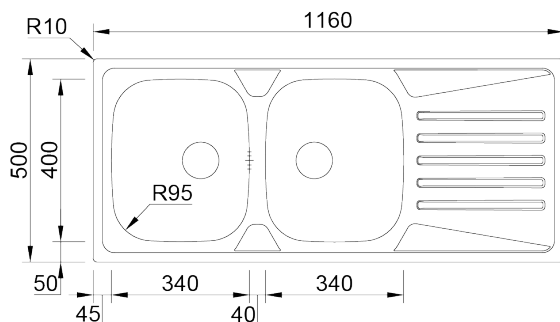
Single pressed reversible sink produced for inset installation. Its minimalist lines fit perfectly into any kitchen, from traditional to modern style.

FINISHINGS:

- Polished

Technical Details

What you need to know



External Measure **1160x500mm**

Bowls Measure **340x400/340x400mm**

Depth **160mm**

Package **Single box**

Cabinet Size **800mm**

Cutout Sizes



Inset Installation

