

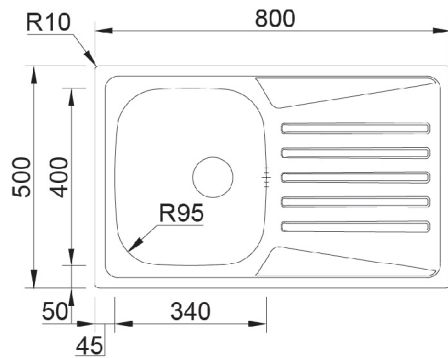
Single pressed reversible sink produced for inset installation. Its minimalist lines fit perfectly into any kitchen, from traditional to modern style.

FINISHINGS:

● Polished

Technical Details

What you need to know



External Measure **800x500mm**

Bowls Measure **340x400mm**

Depth **160mm**

Package **Single box**

Cabinet Size **450mm**

Cutout Sizes



Inset Installation

