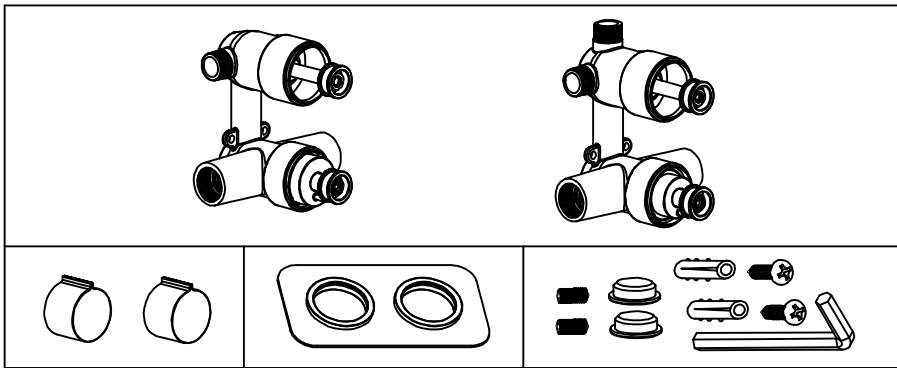


# INSTRUCTION MANUAL



Please keep the water running for a while before installation

