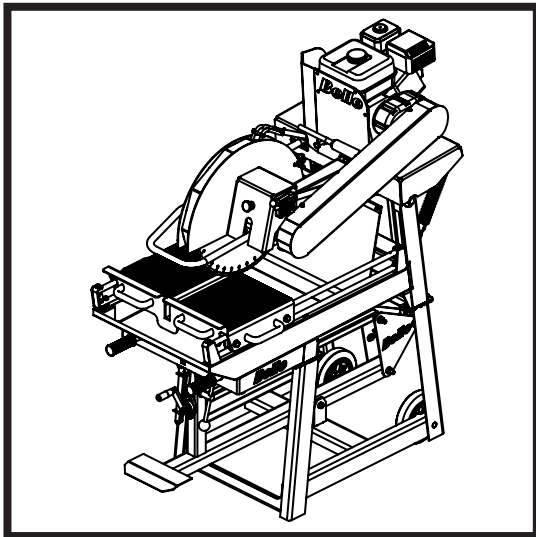




BELLE MS 500 MASONRY SAW

870/30003/7
03/22



Ⓒ GB Operators Manual

4

Ⓒ RUS Руководство для оператора

16

2

UKCA Declaration of Conformity

3

EC/EU Declaration of Conformity

Declaration Of Conformity (DOC)

We, **Altrad Belle, Sheen, Nr. Buxton, Derbyshire, SK17 0EU, GB** declare that the DoC is issued under our sole responsibility and belongs to the followings product(s):



PRODUCT TYPE

MODEL.....

SERIAL No.....

DATE OF MANUFACTURE

SOUND POWER LEVEL
MEASURED /
.....(GUARANTEED)

WEIGHT.....



Object of the Declaration:

Petrol engine / electric motor powered circular bench saw for cutting various types of stone & masonry.

The object of the declaration described above is in conformity with the relevant **Statutory Requirements:**

- **2008 No. 1597** Supply of Machinery (Safety) Regulations 2008
- **2001 No. 1701** Noise Emission in the Environment by Equipment for use Outdoors Regulations 2001
- **2016 No. 1091** Electromagnetic Compatibility Regulations 2016
- **2012 No. 3032** The Restriction of the Use of Certain Hazardous Substances in Electrical and Electronic Equipment Regulations 2012

The following designated standards and technical specifications have been applied:

- **EN ISO 12100:2010** Safety of machinery
- **BS EN 12418:2000+A1:2009** Masonry and stone cutting-off machines for job site. Safety
- **BS EN 61029-2-1:2012** Safety of transportable motor-operated electric tools. Particular requirements for circular saw benches
- **ISO 3744:2010** Acoustics — Determination of sound power levels and sound energy levels of noise sources using sound pressure

Technical Files are held by **Ray Neilson** at the Altrad Belle address stated above:-

Place of Declaration:-

Sheen,
Nr. Buxton,
Derbyshire,
SK17 0EU,
UK

Date of Declaration:-

February 2022

Signed by:

Ray Neilson

Managing Director
On behalf of Altrad Belle
Sheen, Derbyshire, UK



EC Declaration Of Conformity (DOC)



We, **Altrad Belle, Sheen, Nr. Buxton, Derbyshire, SK17 0EU, GB** declare that the DoC is issued under our sole responsibility and belongs to the followings product(s):



PRODUCT TYPE

MODEL.....

SERIAL No.....

DATE OF MANUFACTURE

SOUND POWER LEVEL
MEASURED /
.....(GUARANTEED)

WEIGHT.....



Signed by:

Ray Neilson
Managing Director

On behalf of Altrad Belle, Sheen, Derbyshire, UK

Place of Declaration:-
Sheen, Nr. Buxton, Derbyshire, SK17 0EU, UK
Date of Declaration:-
March 2022

Object of the Declaration:

Petrol engine / electric motor powered circular bench saw for cutting various types of stone & masonry.

The object of the declaration described above is in conformity with the relevant **Union Harmonisation Legislation:**

- **2006/42/EC** - New machinery directive
- **2000/14/EC** - Noise - equipment for use outdoors

The following harmonised standards and technical specifications have been applied:

- **EN ISO 12100:2010** Safety of machinery
- **BS EN 12418:2000+A1:2009** Masonry and stone cutting-off machines for job site. Safety
- **BS EN 61029-2-1:2012** Safety of transportable motor-operated electric tools. Particular requirements for circular saw benches
- **ISO 3744:2010** Acoustics — Determination of sound power levels and sound energy levels of noise sources using sound pressure

Technical Files are held by **Hugues Menager** at the following address:-
Altrad (Group Holding), 125 Rue du Mas Carbonnier, 34000, Montpellier, France.



EU Declaration Of Conformity (DOC)



We, **Altrad Belle, Sheen, Nr. Buxton, Derbyshire, SK17 0EU, GB** declare that the DoC is issued under our sole responsibility and belongs to the followings product(s):



PRODUCT TYPE

MODEL.....

SERIAL No.....

DATE OF MANUFACTURE

SOUND POWER LEVEL
MEASURED /
.....(GUARANTEED)

WEIGHT.....



Signed by:

Ray Neilson
Managing Director

On behalf of Altrad Belle, Sheen, Derbyshire, UK

Place of Declaration:-
Sheen, Nr. Buxton, Derbyshire, SK17 0EU, UK
Date of Declaration:-
March 2022

Object of the Declaration:

Petrol engine / electric motor powered circular bench saw for cutting various types of stone & masonry.

The object of the declaration described above is in conformity with the relevant **Union Harmonisation Legislation:**

- **2014/30/EU** - EMC Directive
- **2011/65/EU** - Restriction of Hazardous Substances Directive

The following harmonised standards and technical specifications have been applied:

- **EN ISO 12100:2010** Safety of machinery
- **BS EN 12418:2000+A1:2009** Masonry and stone cutting-off machines for job site. Safety
- **BS EN 61029-2-1:2012** Safety of transportable motor-operated electric tools. Particular requirements for circular saw benches
- **ISO 3744:2010** Acoustics — Determination of sound power levels and sound energy levels of noise sources using sound pressure

Technical Files are held by **Hugues Menager** at the following address:-
Altrad (Group Holding), 125 Rue du Mas Carbonnier, 34000, Montpellier, France.



How To Use This Manual

This manual has been written to help you operate and service the Masonry Saw safely. This manual is intended for dealers and operators of the Masonry Saw.

Foreword

The '**Machine Description**' section helps you to familiarize yourself with the machine's layout and controls.

The '**Environment**' section gives instructions on how to handle the recycling of discarded apparatus in an environmentally friendly way.

The '**General Safety**' and '**Health and Safety**' sections explain how to use the machine to ensure your safety and the safety of the general public.

The '**Start and Stop Procedure**' helps you with starting and stopping the machine.


The '**Service and Maintenance**' section is to help you with the general maintenance and servicing of your machine.

The '**Trouble Shooting Guide**' helps you if you have a problem with your machine.

The '**Warranty**' section details the nature of the warranty cover and the claims procedure.

Directives with regard to the notations


Text in this manual to which special attention must be paid are shown in the following way:

 **CAUTION** *The product can be at risk. The machine or yourself can be damaged or injured if procedures are not carried out in the correct way.*

 **WARNING** *The life of the operator can be at risk.*



WARNING

 **WARNING** *Before you operate or carry out any maintenance on this machine **YOU MUST READ** and **STUDY** this manual.*

KNOW how to safely use the unit's controls and what you must do for safe maintenance. (NB Be sure that you know how to switch the machine off before you switch on, in case you get into difficulty.)

ALWAYS wear or use the proper safety items required for your personal protection. If you have **ANY QUESTIONS** about the safe use or maintenance of this unit, ASK YOUR SUPERVISOR OR CONTACT: **ALTRAD BELLE (UK): +44 (0) 1298 84606**



Contents

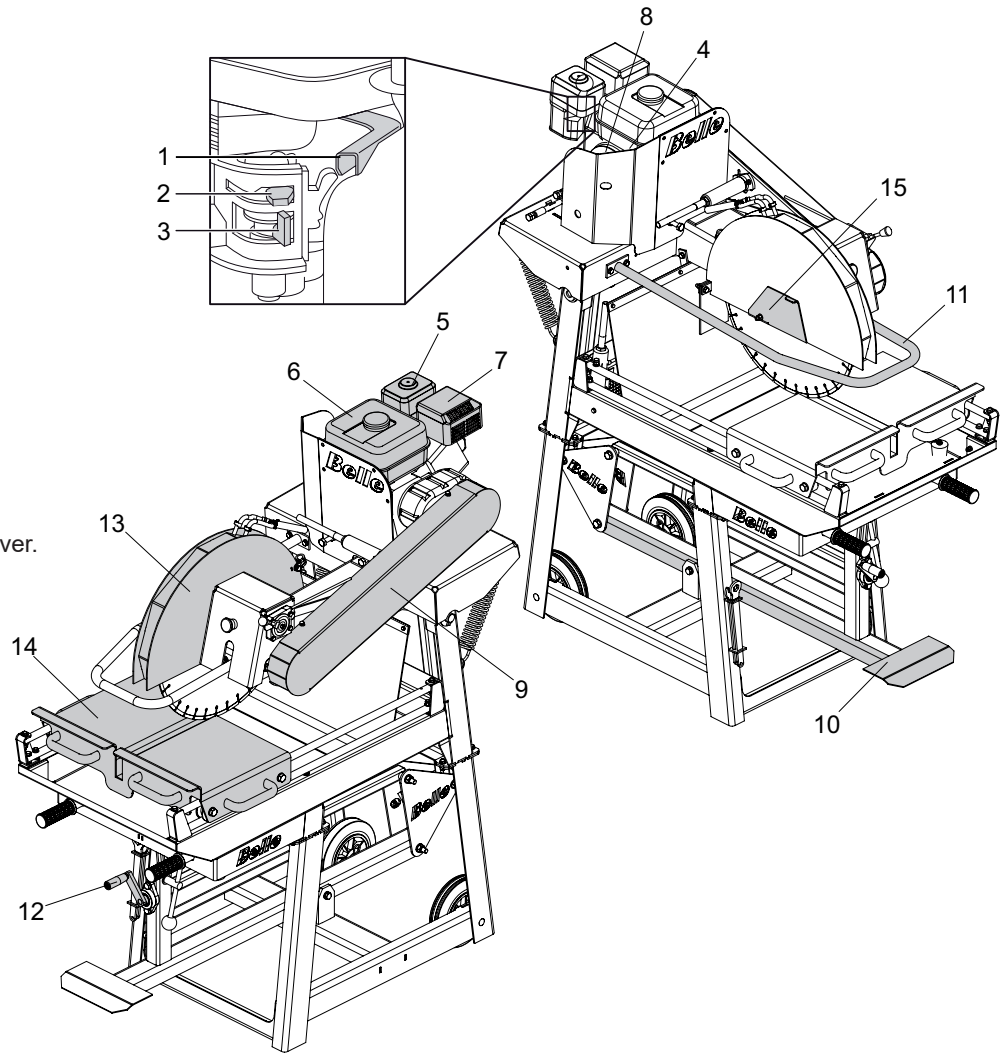
How to use this manual.....	4
Warning	4
Machine Description.....	5
Technical Data.....	6
Decals	6 - 7
General Safety	8
Health and Safety.....	8
Pre-Start Checks.....	9
Start and Stop Procedure.....	9
Operating Instructions	9
Service and Maintenance.....	10
Trouble Shooting Guide	11
Environment	90
Wiring Diagram - 110v.....	12
Wiing Diagram - 230v.....	13
Blade Fitment	14
Warranty	15
Replacement Parts.....	15
UKCA Declaration of Conformity.....	2
EC/EU Declaration of Conformity.....	3

Altrad Belle reserves the right to change machine specification without prior notice or obligation.

Machine Description



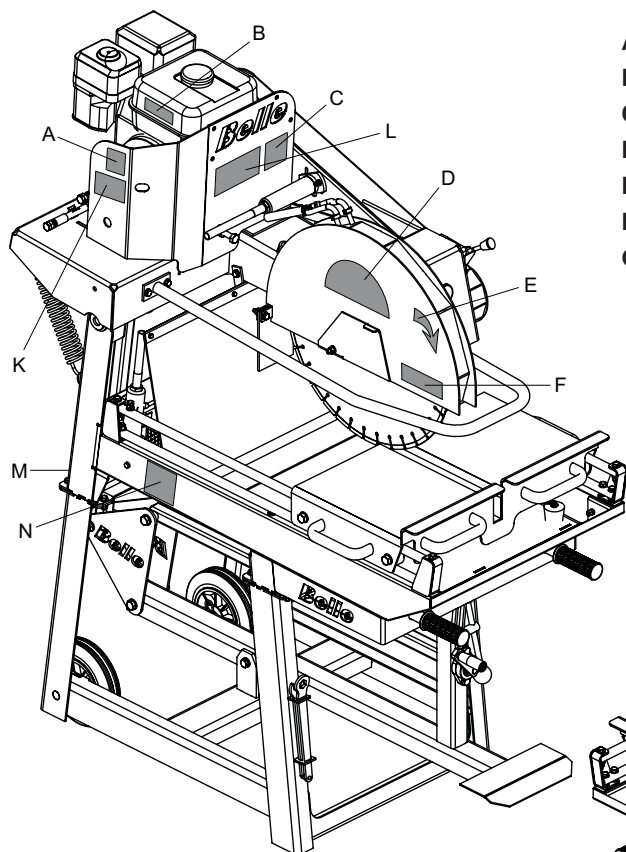
1. Throttle lever.
2. Choke lever.
3. Fuel ON / OFF lever.
4. Engine ON / OFF switch.
5. Air Filter Housing.
6. Fuel Tank.
7. Exhaust.
8. Recoil Starter Handle.
9. Belt Guard.
10. Foot Pedal.
11. Operating Handle.
12. Blade Height Adjustment Lever.
13. Blade Guard.
14. Cutting Table.
15. Blade Protection Plate.



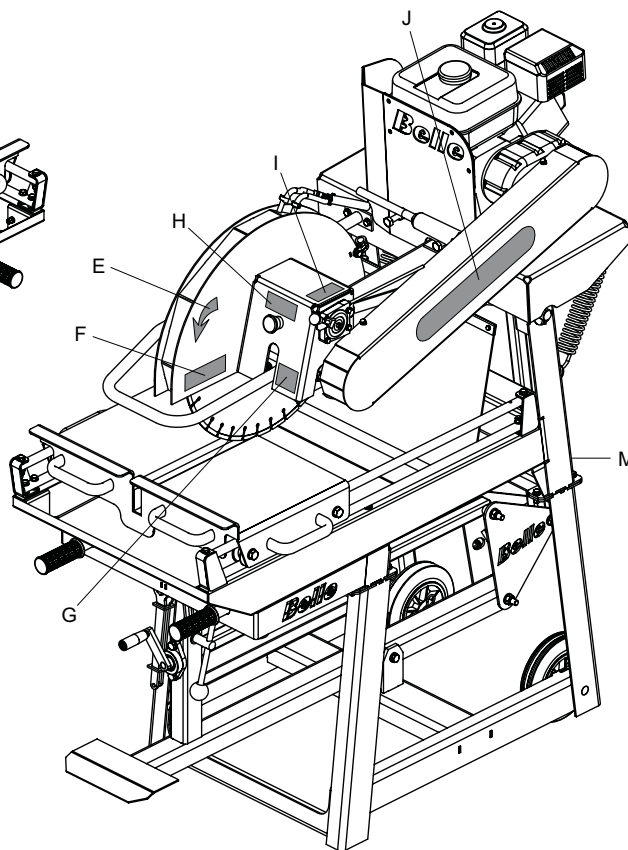
Technical Data



Model	Petrol	Electric
Width (mm)	715	715
Height (mm)	1595	1595
Length (mm)	1410	1410
Weight (kg)	204	202.5 (110v) & 204 (230v)
Engine Type	Honda GX160	-
Engine RPM	3600	-
Motor Power	5.5hp / 4.0 kW	2.2 kW
Motor Voltage (V)	-	110 or 230
Recommended Transformer (kVa)	-	10
Frequency (Hz)	50	50
Blade Diameter (mm)	500	500
Blade Speed (rpm)	2256	2256
Max. Cut Length (mm)	630	630
Max. Cut Depth (mm)	195	195
Water Tank Capacity (Ltr)	57.3	57.3
3 Axis Vibration (m/sec ²)	3.0	3.0
Sound Power Level (dB(A))	107	107



- A - Noise Decal
- B - Engine RPM Decal
- C - Operation Warning Decal
- D - Branding Decal
- E - Arrow Decal
- F - Crush Warning Decal
- G - Safety Decal



- H - Emergency Stop Decal
- I - Throttle Decal
- J - Branding Decal
- K - Air Filter Decal
- L - Transportation Decal
- M - Fork Lift Decal

A - Noise Decal

Guaranteed Sound Power Level of the machine in dB(A).

B - Engine RPM Decal

Indicates maximum speed of the engine.

C - Operation Warning Decal

Shows how to safely operate the MS500 saw.

D - Branding Decal

Identifies the model of the machine.

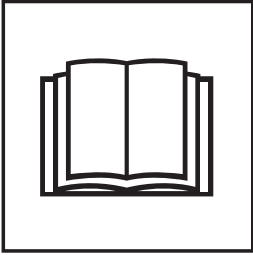
E - Arrow Decal

Indicates the direction in which the cutting blade is spinning.

F - Crush Warning Decal

Highlights the possible danger of 'crushing'.

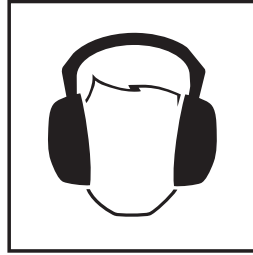
G - Safety Decal



**Please Read
Operators Manual**



**Wear Protective
Footwear**



**Wear Ear
Protection**

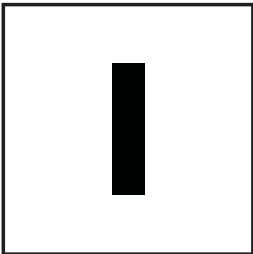


**Wear Eye
Protection**

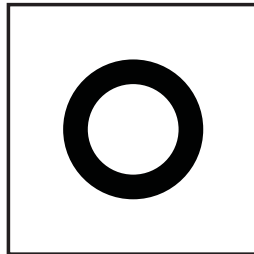
H - Emergency Stop Decal

Indicates the position of the Emergency Stop button.

I - Throttle Decal



**Full Throttle
Position**



Off Position

J - Branding Decal

Indicates the company's corporate website address.

K - Air Filter Decal

Indicates the Air Filter must be cleaned on a regular basis.

L - Transportation Decal

The saw must only be moved by hand using the handle bars when situated on level ground. If the ground is uneven, a fork truck must be used (see the 'Fork Lift' decals for positioning')

M - Fork Lift Decal

This decal indicates where to place the forks of the fork truck when transporting the saw.

N - Sediment Decal

If you let sediment build up within the Water Tray to the Pump height, this may cause damage to the Pump.



General Safety

For your own personal protection and for the safety of those around you, please read and ensure you fully understand the following safety information. It is the responsibility of the operator to ensure that he/she fully understands how to operate this equipment safely. If you are unsure about the safe and correct use of the Masonry Saw, consult your supervisor or Altrad Belle.



CAUTION

Improper maintenance or use can be hazardous. Read and Understand this section before you perform any maintenance, service or repairs.

- This equipment is heavy and must not be lifted single-handedly, either **GET HELP** or use suitable lifting equipment. A special transport assembly is available for the compactor (see options).
- Cordon off the work area and keep members of the public and unauthorised personnel at a safe distance.
- Personal Protective Equipment (PPE) must be worn by the operator whenever this equipment is being used (see Health & Safety).
- Make sure you know how to safely switch this machine **OFF** before you switch it **ON** in case you get into difficulty.
- Always switch **OFF** the engine before transporting, moving it around the site or servicing it.
- During use the engine becomes very hot, allow the engine to cool before touching it. Never leave the engine running and unattended.
- Never remove or tamper with any guards fitted, they are there for your protection. Always check guards for condition and security, if any are damaged or missing, **DO NOT USE THE MASONRY SAW** until the guard has been replaced or repaired.
- Do not operate the Compactor when you are ill, feeling tired, or when under the influence of alcohol or drugs.

Fuel Safety



CAUTION

Fuel is flammable. It may cause injury and property damage. Shut down the engine, extinguish all open flames and do not smoke while filling the fuel tank. Always wipe up any spilled fuel.

- Before refuelling, switch off the engine and allow it to cool.
- When refuelling, **DO NOT** smoke or allow naked flames in the area.
- Spilt fuel must be made safe immediately, using sand. If fuel is spilt on your clothes, change them.
- Store fuel in an approved, purpose made container away from heat and ignition sources.



Health & Safety

Vibration

Some vibration from the sawing operation is transmitted through the handle to the operator's hands. The Altrad Belle Masonry Saw has been specifically designed to reduce hand/arm vibration levels. Refer to the Technical Data section for vibration levels and usage times (recommended maximum daily exposure time). **DO NOT** exceed the maximum usage times.

PPE (Personal Protective Equipment).

Suitable PPE must be worn when using this equipment i.e. Safety Goggles, Gloves, Ear Defenders, Dust Mask and Steel Toe capped footwear. Wear clothing suitable for the work you are doing. Tie back long hair and remove any jewellery which may catch in the equipment's moving parts.

Dust.

The sawing process will occasionally produce dust, which may be hazardous to your health. Always wear a mask that is suited to the type of dust being produced.

Fuel.

Do not ingest fuel or inhale fuel vapours and avoid contact with your skin. Wash fuel splashes immediately. If you get fuel in your eyes, irrigate with copious amounts of water and seek medical attention as soon as possible.

Exhaust Fumes

Do not operate the Masonry Saw indoors or in a confined space, make sure the work area is adequately ventilated.



CAUTION

The exhaust fumes produced by this equipment are highly toxic and can kill!

Plugs (Electric Only)

The MS500 Besh Saws are intended for industrial use, the following plug types are supplied fitted to the product:

110V motor - 32 amp rated BS4343 plug type.

230V motor - 16 amp rated BS4343 plug type.

Fitting a plug - **WARNING THIS PRODUCT MUST BE EARTHED**

IMPORTANT: The wires in the mains lead are coloured in accordance with the following code:

GREEN / YELLOW = EARTH, BLUE = NEUTRAL, BROWN = LIVE

The wire which is coloured Green and Yellow must be connected to the terminal in the plug marked E or coloured Green and Yellow. The wire which is coloured Brown must be connected to the terminal in the plug marked L or coloured Red. The wire which is coloured Blue must be connected to the terminal in the plug marked N or coloured Black.

Always ensure before connecting to the supply that the supply voltage is the same as the rated voltage marked on the motor

Pre-Start Checks



Pre start-up inspection

The following Pre-start-up inspection must be performed before the start of each work session or after every four hours of use, whichever is first. Please refer to the service section for detailed guidance. If any fault is discovered, the floor saw must not be used until the fault is rectified.

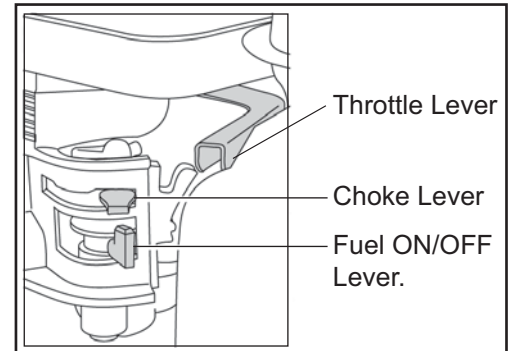
1. Thoroughly inspect the Masonry Saw for signs of damage. Check components are present and secure. Pay special attention to the blade safety guard.
2. Check fluid lines, hoses filler openings, drain plugs and any other areas for signs of leakage. Fix any leaks before operating.
3. Check the engine oil level and top up as necessary.
4. Check the engine fuel level and top up as necessary.
5. Check for fuel and oil leaks.

Start and Stop Procedure



Honda GX160 Petrol Engine.

1. Open the fuel tap by moving the fuel **ON/OFF** lever fully to the right.
2. If starting the engine from cold, set the choke **ON** by moving the choke lever fully to the left. If restarting a warm engine, the choke is usually not required, however, if the engine has cooled to a degree, partial choke may be required.
3. Turn the engine **ON/OFF** switch clockwise to the 'I' position.
4. Set the throttle to the idle position by moving the throttle lever fully to the right.
5. Taking a firm hold of the control handle with one hand, grasp the recoil starter handle with the other. Pull the recoil starter until engine resistance is felt, then let starter return.
6. Take care not to pull the starter's rope fully out and pull the starter handle briskly.
7. Repeat until the engine fires.
8. Once the engine fires gradually set the choke lever to the **OFF** position by moving it to the right.
9. If the engine fails to fire after several attempts, follow the troubleshooting guide.
10. To stop the engine, set the throttle to idle. Allow the engine to idle for at least 2 minutes
11. Turn the engine **ON/OFF** switch anti-clockwise to the '0' position.
12. Turn the fuel off.



Operating Instructions



110v Motor

The 2.2kW 110v motor should use a minimum size of 10kVA continuously rated 230/110v step down transformer, connected to a suitably rated and protected power supply, in accordance with local electrical wiring regulations and standards.

230v Motor

The 2.2kW 230v motor should be connected to a suitably rated and protected power supply, in accordance with local electrical wiring regulations and standards.

Operating Instructions

- **Take the saw to where it is required.**
If the saw is to be transported to another location, ensure that the engine has been switched off. **NEVER** transport the saw with the engine still running, even if it is only being moved a short distance. The saw must only be moved by hand using the handle bars when situated on level ground. If the ground is uneven, a fork truck must be used (see the 'Fork Lift' decals for positioning)
- **Having carried out the checks listed in the 'pre start' section, you may start the engine.**
The blade should now be spinning at idle speed. **ALWAYS** check the blade for any signs of wobble, vibration or unusual noise. If any of these occur, stop the machine immediately and refer to the troubleshooting section.
- **Set the throttle to maximum and the saw is now ready for use.**
 - The speed of cutting will be determined by the type of material being cut.
 - **NEVER** plunge the blade harshly into the material being cut.
 - If the material to be cut is very hard, the saw will take longer to cut. Try to make more than one pass as this will reduce otherwise excessive wear of the blade.
 - **DO NOT** try to force the saw blade into the material as this will cause damage to the blade.
 - If the Blade stops whilst in the material being cut, stop the engine and then try to free the blade. If the engine is allowed to run whilst the blade is stationary, excessive wear will occur on the clamping plates, arbor shaft, blade and belts.
- To stop the saw - follow the start-stop procedure.
Note: There is an emergency stop button located to the right hand side of the blade guard for use in emergencies. Pressing this button will stop the engine. To reset, pull the button out.



Service and Maintenance

The Masonry Saw is designed to give many years of trouble free operation. It is, however, important that the simple regular maintenance listed in this section is carried out. It is recommended that an approved Altrad Belle dealer carries out all major maintenance and repairs. Always use genuine Altrad Belle replacement parts, the use of spurious parts may void your warranty. Before any maintenance is carried out on the machine, switch off the engine and disconnect the HT lead from the spark plug. Always set the saw on level ground to ensure any fluid levels will be correctly read. Only use recommended oils (see chart below)

Running In Period

When the Masonry Saw is first used from new, the engine oil must be changed after the initial running in period (please see engine manual for full detail). The belt tension should be checked after 4 hours use. If new belts have been fitted, they must initially be checked after 30 minutes of use.

Drive Belt

Remove the belt guard then check the belt tension by placing light finger pressure on the top of the belt, as near central between the engine drive and arbor pulley. The belt should deflect by 12mm. If the belt tension requires adjustment, loosen the four engine mounting bolts push the engine back. Then re-tighten the mounting bolts. Once set, check the belt tension a second time. Then check the pulley alignment. If the alignment is incorrect, loosen the taperlock bushes and move the pulley to suit. Once the pulley is aligned, retighten the taperlock bushes. Finally, replace the belt guard ensuring it is correctly and securely fitted.

Extension Cables

If you need to use an extension cable it must be no longer than 30 metres (100 feet) in length. The extension cable wire section should be a minimum of 6.0mm² on 110v machines and 2.5mm² on 230v machines.

Ensure that the extension cable is carefully laid out avoiding liquids, sharp edges and places where vehicles might run over it. Unroll it fully or it will overheat.

NO extension cable between the mains power source and the transformer is recommended.

Pump Alignment

The mechanical water pump is driven by the contacting the main drive belts. To adjust the pump loosen the two mounting bolts and slide the pump up or down depending on the current position. Once set, re-tighten the mounting bolts.

Routine Maintenance		Each Use	First 4 Hours	First Month / 20 Hours	3 Months / 50 Hours	6 Months / 100 Hours
Engine Oil	Check Level		✓			
	Change			✓		✓
Air Filter	Check Condition	✓				✓
	Clean				✓	
	Replace					✓
Spark Plug	Change					✓
Drive Belt	Tension		✓	✓	✓	

Oil / Fuel Type & Quantity - Spark Plug Type

	Oil Type	Quantity (Litre)	Fuel Type	Capacity (Litre)	Spark Plug Type	Electrode Gap (mm)
Petrol Honda GX160	S.A.E. 10W 30	0.6	Unleaded	3.6	BM6ES or BPR6ES	0.6 - 0.7
Reduction Box	S.A.E 15W 40	0.5	N/A	N/A	N/A	N/A

Troubleshooting Guide



Problem	Cause	Remedy
Engine will not start.	No fuel.	Open fuel tap.
		Fill fuel tank.
	Engine switched off.	Switch engine on.
	Spark plug fouled.	Clean and reset plug gap.
	Engine cold.	Close choke.
Blade not turning	Engine flooded.	Open choke, fully open throttle, pull recoil starter until engine fires.
	Belts incorrectly tensioned.	Re-tension the Belts.
Water Pump not working.	Belts broken.	Replace the Belts.
	Pump incorrectly aligned.	Re-align the Pump
	Sump blocked.	Clean the Sump.
Excessive noise, vibration or wobble from blade.	Pump worn / damaged.	Replace the Pump.
	Check condition of Arbor Shaft Bearings	Remove some of the material.
	Check tightness of Arbor Shaft Nut	Remove material and adjust.
	Check condition of Blade Flange.	Replace as necessary.
	Check Blade for signs of damage.	Replace Blade.

Environment



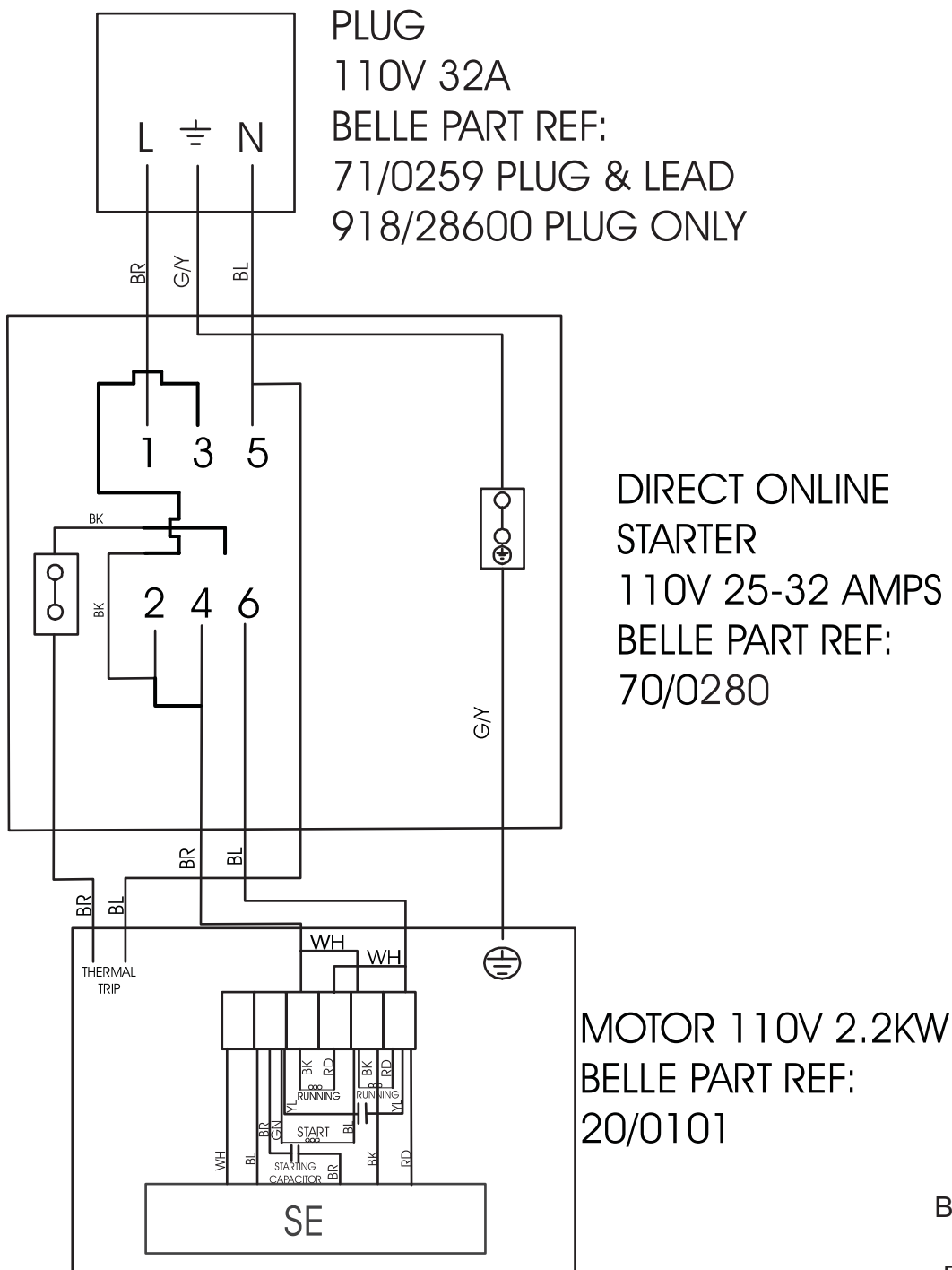
Safe Disposal.



Instructions for the protection of the environment. The machine contains valuable materials. Take the discarded apparatus and accessories to the relevant recycling facilities.

Component	Material
Operator Handle	Steel
Main Frame	Steel
Hand Grips	Rubber
Engine	Aluminium
Flexible Mounts	Steel & Rubber
Various Parts	Steel & Aluminium

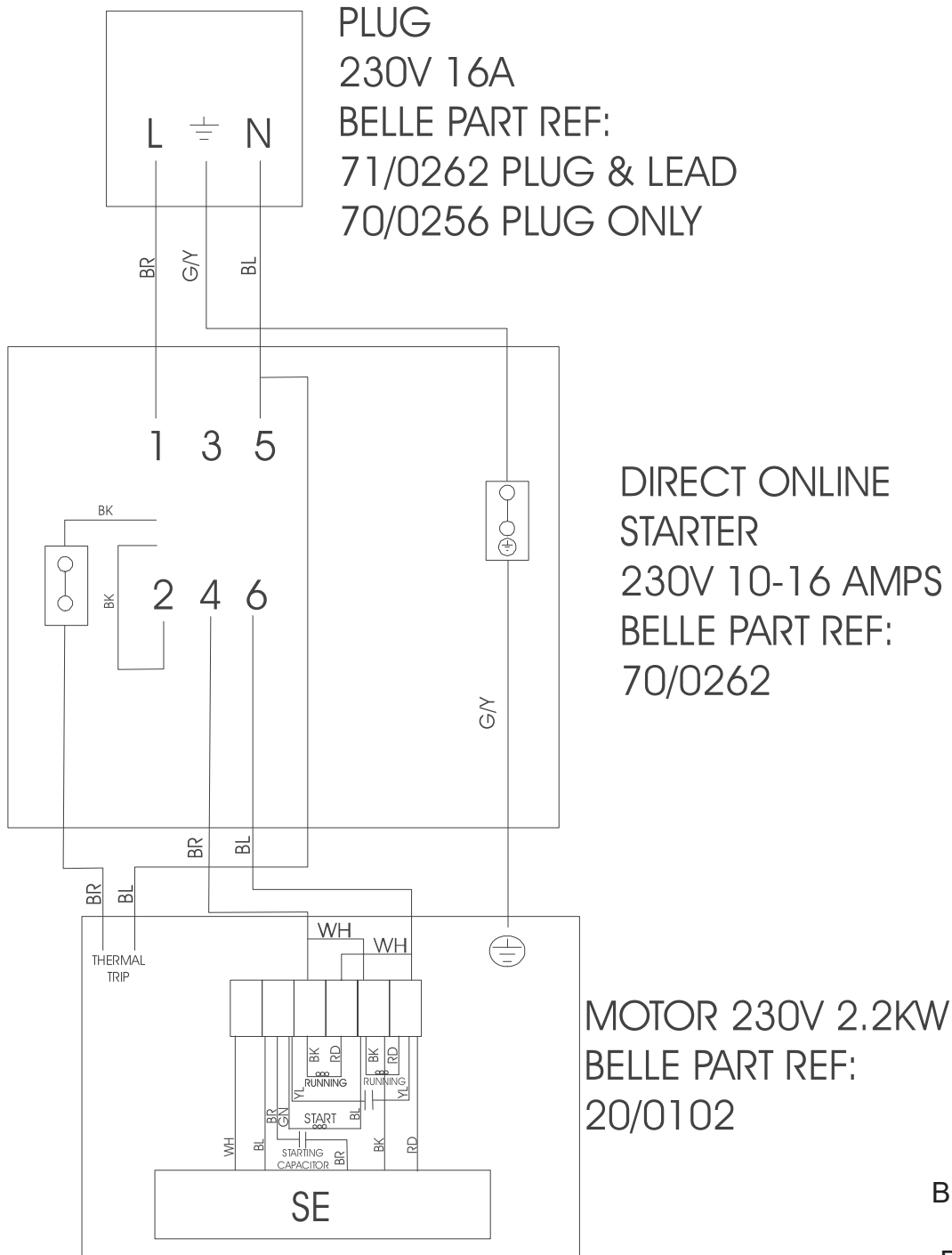
948.3.013 110V MS500 SAW



KEY

- BR = BROWN
- BL = BLUE
- BK = BLACK
- RD = RED
- WH = WHITE
- VT = VIOLET
- GR = GREEN
- YL = YELLOW
- GY = GREEN/YELLOW

948.3.019 230V MS500 SAW



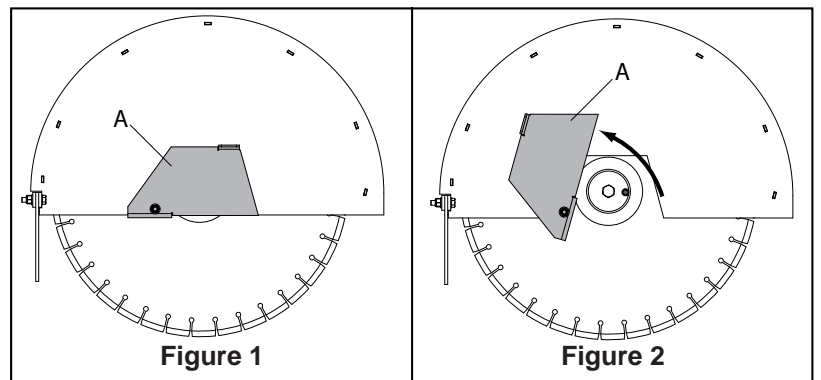
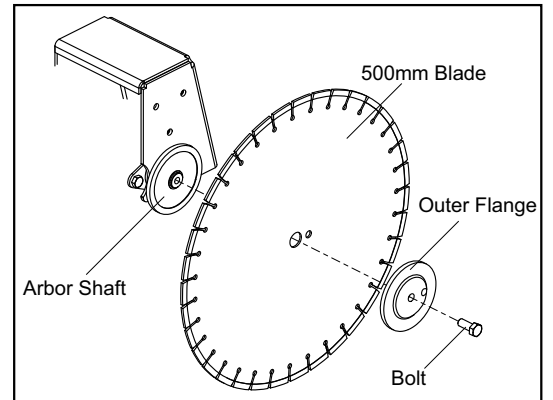
- KEY**
- BR = BROWN
 - BL = BLUE
 - BK = BLACK
 - RD = RED
 - WH = WHITE
 - VT = VIOLET
 - GR = GREEN
 - YL = YELLOW
 - GY = GREEN/YELLOW



CAUTION

Incorrect fitting of a blade can cause serious injury. Ensure that the fitting instructions are followed. If in any doubt, contact your supervisor or Altrad Belle.

1. Remove the HT lead from the spark plug.
 2. Expose the Arbor Shaft Bolt (9/12027) and Flange (948/05400) by raising the Blade Protection Plate **(A)** (**Figure 1 & 2**)
 3. Remove the Arbor Shaft Bolt (left-hand thread) and Outer Flange.
 4. Check the Outer Flange and Arbor Shaft (948/04700) for damage or wear. Replace if necessary, and fit the blade as laid down in the safety codes USA ANSI B7.1, Canada SCA and Great Britain HMSO No. 4.
 5. Clean the Outer Flange before mounting the blade onto the Arbor Shaft and Blade Pin (71.0.088).
 6. Ensure that the arrow on the blade points in the same direction as the rotation arrow of the blade guard.
 7. Re-fit the Outer Flange.
 8. Tighten the Arbor Shaft Bolt and secure firmly.
 9. Lower the Blade Protection Plate.
 10. Reconnect the HT lead to the spark plug.
11. The machine is now ready to be used.



Warranty



Your new Altrad Belle Masonry Saw is warranted to the original purchaser for a period of one-year (12 months) from the original date of purchase. The Altrad Belle warranty is against defects in design, materials and workmanship.

The following are not covered under the Altrad Belle warranty:

1. Damage caused by abuse, misuse, dropping or other similar damage caused by or as a result of failure to follow assembly, operation or user maintenance instructions.
2. Alterations, additions or repairs carried out by persons other than Altrad Belle or their recognised agents.
3. Transportation or shipment costs to and from Altrad Belle or their recognised agents, for repair or assessment against a warranty claim, on any machine.
4. Materials and/or labour costs to renew, repair or replace components due to fair wear and tear.

The following components are not covered by warranty.

- Drivebelt/s
- Engine air filter
- Engine spark plug

Altrad Belle and/or their recognised agents, directors, employees or insurers will not be held liable for consequential or other damages, losses or expenses in connection with or by reason of or the inability to use the machine for any purpose.

Warranty Claims

All warranty claims should firstly be directed to Altrad Belle, either by telephone, by Fax, by Email, or in writing.

For warranty claims:

Tel : +44 (0)1298 84606,

Fax : +44 (0)1298 84073,

Email : warranty.dept@altrad-belle.com

or Write to:

Altrad Belle Warranty Department,
Sheen, Nr. Buxton
Derbyshire
SK17 0EU
England

Warranty Registration:

In the bid for ALTRAD Belle to become greener and more eco friendly, we have now introduced online Warranty registration. To access the registration page of our website, please use the following address:-

http://www.bellegroup.com/index.php?p=warranty_registration

Alternatively, please scan the adjacent QR Code (Quick Response Code) using your smartphone to access the registration page.



Replacement Parts



When maintaining this product only the manufacturers original, genuine replacement parts may be used.

The user will lose any possible claims if replacement parts used are other than the makers original replacement parts.

Replacement parts for this product can be ordered online 24 hours a day, 7 days a week at www.Altrad-Belle247.com

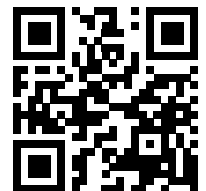
For more information regarding the availability of replacement parts for this product, please contact Altrad Belle using the following contact details:-

Tel:- +44 (0)1298 84606

Fax:- +44 (0)1298 84073

Email:- sales@altrad-belle.com

Alternatively, please scan the adjacent QR Code (Quick Response Code) using your smartphone to access the Altrad Belle online parts portal.



Настоящее руководство поможет вам безопасно эксплуатировать и обслуживать камнерезную пилу. Это руководство предназначено для дилеров и операторов камнерезной пилы.

Предисловие

В разделе **Описание устройства** можно ознакомиться со схемой и органами управления устройства.

В разделе **Окружающая среда** даны указания по экологически безопасной утилизации списанного устройства.

В разделах **Общая техника безопасности** и **Охрана труда** объясняется, как обеспечить безопасность для себя и окружающих при эксплуатации устройства.

Раздел **Порядок пуска и останова** поможет запустить и остановить устройство.

Раздел **Техническое обслуживание** поможет вам выполнить общее обслуживание устройства.

Раздел **Руководство по устранению неисправностей** поможет вам в случае проблемы с устройством.

В разделе **Гарантия** описаны гарантийные условия и порядок предъявления рекламаций.

Указания в отношении условных обозначений.

Текст, требующий особого внимания, в настоящем руководстве обозначается следующим образом:



ВНИМАНИЕ

Использование изделия сопряжено с риском. Несоблюдение инструкций может привести к повреждению устройства или травмам пользователя.



ОСТОРОЖНО

Жизнь оператора под угрозой

WARNING



ОСТОРОЖНО

*Перед эксплуатацией или обслуживанием этого станка **СЛЕДУЕТ ОЗНАКОМИТЬСЯ** с настоящим руководством.*

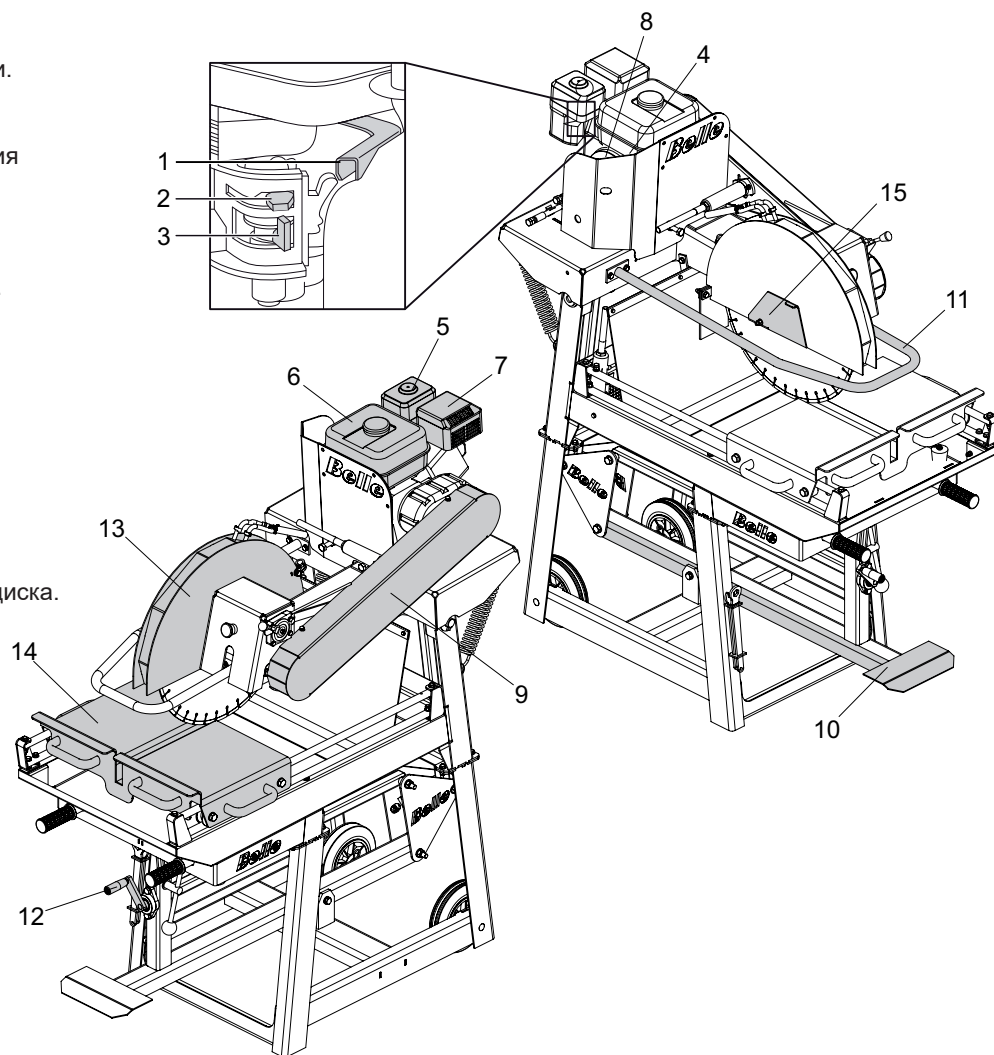
СЛЕДУЕТ ЗНАТЬ порядок безопасного управления устройством и его безопасного обслуживания. (Примечание. Перед запуском устройства следует узнать, как оно выключается, на случай возникновения трудностей.)

СЛЕДУЕТ ВСЕГДА носить или использовать соответствующие средства индивидуальной защиты. **ПО ВСЕМ ВОПРОСАМ** о безопасной эксплуатации или обслуживанию этого устройства **ОБРАЩАЙТЕСЬ К СВОЕМУ НАЧАЛЬНИКУ ИЛИ В КОМПАНИЮ ALTRAD BELLE (ВЕЛИКОБРИТАНИЯ): +44 (0) 1298 84606**

Оглавление

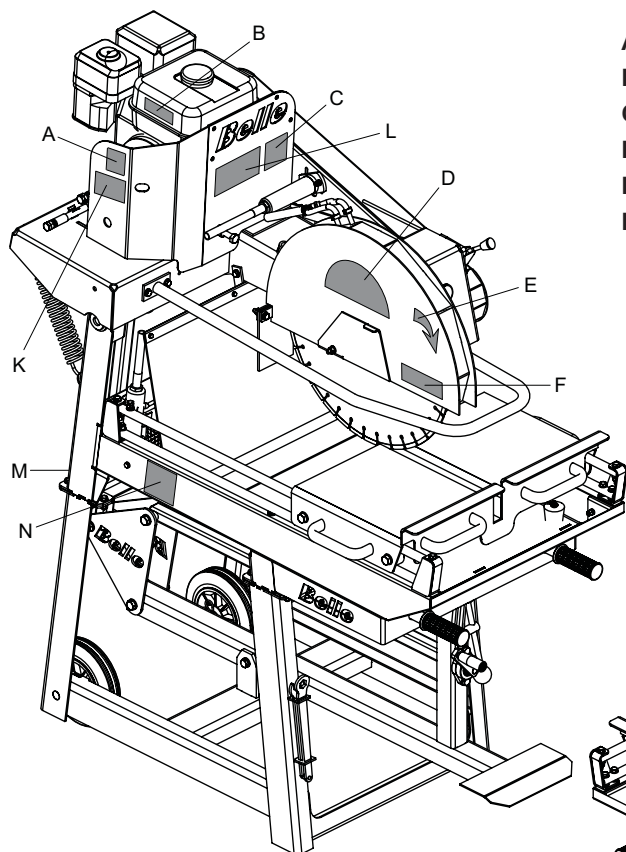
Как пользоваться этим руководством	16
ОСТОРОЖНО!.....	16
Описание устройства	17
Технические характеристики	17
Знаки	18 - 19
Общая техника безопасности.....	20
Охрана труда	20
Предпусковые проверки.....	21
Порядок пуска и останова.....	21
Инструкция по эксплуатации	21
Техническое обслуживание и ремонт	22
Руководство по устранению неисправностей	23
Окружающая среда	23
Монтажная схема 110 В	24
Монтажная схема 230 В	25
Монтаж диска.....	26
Гарантия	27
Запасные части.....	27

1. Рычаг дроссельной заслонки.
2. Рычаг воздушной заслонки.
3. Рычаг включения/выключения подачи топлива.
4. Выключатель двигателя.
5. Корпус воздушного фильтра.
6. Топливный бак.
7. Выхлопная система.
8. Пусковая рукоятка.
9. Кожух ремня.
10. Ножная педаль.
11. Ручка управления.
12. Рычаг регулировки высоты диска.
13. Кожух диска.
14. Отрезной стол.
15. Защитная панель диска.



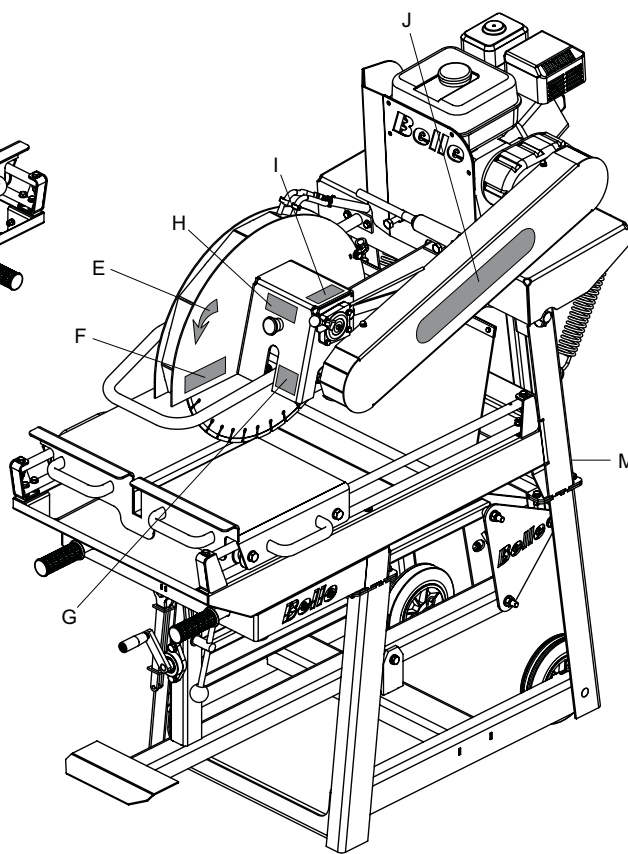
Технические характеристики

Модель	Бензиновая	Электрическая
Ширина (мм)	715	715
Высота (мм)	1595	1595
Длина (мм)	1410	1410
Вес (кг)	204	202,5 (110 В) и 204 (230 В)
Тип двигателя	Honda GX160	-
Частота вращения двигателя (об/мин)	3600	-
Мощность двигателя (л. с.)	5,5 л. с. / 4,0 кВт	2,2 кВт
Напряжение электромотора (В)	-	110 или 230
Рекомендуемый трансформатор (кВА)	-	10
Частота (Гц)	50	50
Диаметр диска (мм)	500	500
Частота вращения диска (об/мин)	2256	2256
Длина реза, не более (мм)	630	630
Глубина реза, не более (мм)	195	195
Емкость водяного бака (л)	57,3	57,3
Объемная вибрация (м/с ²)	3,0	3,0
Уровень мощности звука (дБА)	107	107



- G – Знак безопасности
- H – Знак об аварийном останове
- I – Знак о дроссельной заслонке
- J – Знак с указанием бренда
- K – Знак о воздушном фильтре

- A – Знак с указанием уровня шума
- B – Знак с указанием оборотов двигателя
- C – Предупредительный знак об эксплуатации
- D – Знак с указанием бренда
- E – Стрелка
- F – Предупредительный знак о разрушении



A – Знак с указанием уровня шума

Гарантированный уровень звуковой мощности устройства (дБА).

B – Знак с указанием оборотов двигателя

Максимальная частота вращения двигателя.

C – Предупредительный знак об эксплуатации

Инструкция по безопасной эксплуатации пилы MS500.

D – Знак с указанием бренда

Модель устройства.

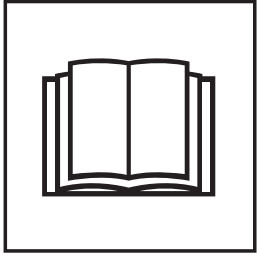
E – Стрелка

Направление вращения диска.

F – Предупредительный знак о разрушении

Указание на опасность разрушения.

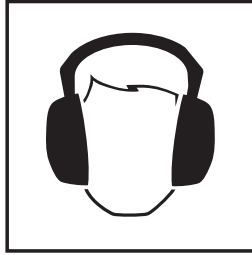
G - Знак безопасности



Прочтите
руководство для
оператора



Работать в защитной
обуви



Работать в
защитных
наушниках

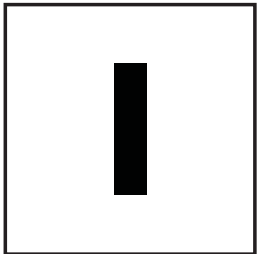


Работать в
защитных очках

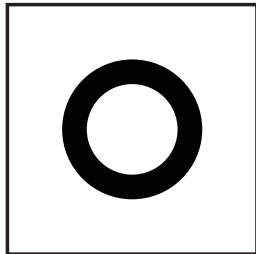
H – Знак об аварийном останове

Указание расположения кнопки аварийного останова.

I – Знак о дроссельной заслонке



Открытое
положение



Закрытое положение

J – Знак с указанием бренда

Адрес корпоративного сайта компании.

K – Знак о воздушном фильтре

Указание на необходимость регулярной очистки воздушного фильтра.

L – Наклейка Перевозки

Пила должна быть перемещена вручную с помощью ручек только на ровной поверхности. Если земля неровная вилочный погрузчик должен быть использован (см 'вилочный погрузчик' наклейки для позиционирования).

M - Наклейка Вилочного Погрузчика

Этот знак указывает, где разместить вилы вилочного грузовика при транспортировке пилы.

N - Отложения Декаль

Если вы позволите осадок создать в воде лотка на высоте насоса, это может привести к повреждению насоса.

Чтобы защитить себя и окружающих, внимательно ознакомьтесь со следующей информацией по технике безопасности. Оператор обязан досконально знать порядок безопасной эксплуатации этого оборудования. Если вы не уверены в своих знаниях по безопасной и правильной эксплуатации камнерезной пилы, обратитесь к своему начальнику или в компанию Altrad Belle.



ВНИМАНИЕ

Нарушение правил обслуживания и эксплуатации сопряжено с риском. Перед выполнением технического обслуживания или ремонта следует ознакомиться с настоящим разделом.

- Это тяжелое оборудование, которое нельзя поднимать в одиночку. Следует взять себе помощника или воспользоваться соответствующим подъемным оборудованием. Для устройства предлагается особый транспортный узел (см. дополнительное оборудование).
- Следует огородить рабочий участок и не допускать на него посторонних, чтобы они оставались на безопасном расстоянии.
- Оператор должен носить средства индивидуальной защиты (СИЗ) во время эксплуатации этого оборудования (см. раздел «Охрана труда»).
- Перед запуском устройства следует узнать, как он выключается, на случай возникновения трудностей.
- Следует выключить двигатель перед его транспортировкой, перемещением или обслуживанием.
- В процессе эксплуатации двигатель сильно нагревается, поэтому следует дать ему остыть, прежде чем прикасаться к нему. Запрещается оставлять работающий двигатель без присмотра.
- Запрещается снимать или вскрывать установленные кожухи, так как они предназначены для защиты оператора. Следует всегда проверять состояние и надежность кожухов. Если они повреждены или отсутствуют, **ЗАПРЕЩАЕТСЯ ИСПОЛЬЗОВАТЬ КАМНЕРЕЗНУЮ ПИЛУ**, пока кожухи не будут заменены или отремонтированы.
- Запрещается использовать устройство, если вы больны, устали или находитесь под воздействием алкоголя или наркотиков.

Безопасность при использовании топлива.



ВНИМАНИЕ

Топливо огнеопасно. Оно может привести к травмам или повреждению имущества. Перед заливкой топлива в топливный бак следует остановить двигатель и потушить все источники открытого огня. Пролитое топливо следует обязательно убрать.

- Следует выключить двигатель и дать ему остыть перед заправкой.
- **ЗАПРЕЩАЕТСЯ** курить и пользоваться открытым огнем на участке во время заливки топлива.
- Пролитое топливо следует немедленно засыпать песком. Если топливо попало на одежду, следует сменить ее.
- Топливо должно храниться в одобренном специальном контейнере, вдали от источников тепла и возгорания.

Вибрация

Часть вибрации, возникающей во время резки, передается через ручку на руки оператора. Камнерезная пила производства компании Altrad Belle имеет особое исполнение, снижающее уровни вибрации рук. Уровни вибрации и продолжительность эксплуатации (рекомендуемое максимальное время ежедневного воздействия) указаны в разделе «Технические характеристики». **ЗАПРЕЩАЕТСЯ** превышать максимальное время эксплуатации.

Средства индивидуальной защиты (СИЗ)

Следует носить подходящие СИЗ во время эксплуатации этого оборудования, то есть защитные очки, перчатки, средства защиты органов слуха, респиратор, защитная обувь с металлическим носком. Спецодежда должна соответствовать выполняемой работе. Длинные волосы следует собрать сзади в хвост, снять все ювелирные изделия, которые могут зацепить подвижные детали оборудования.

Пыль

При резке может образовываться пыль, что небезопасно для здоровья оператора. Следует работать в маске, рассчитанной на тип пыли, образуемой при резке.

Топливо

Не глотать топливо и не вдыхать его пары, избегать попадания на кожу. При попадании на кожу немедленно смыть. При попадании в глаза обильно промыть глаза водой и как можно скорее обратиться за медицинской помощью.

Выхлопные газы

Запрещается эксплуатировать камнерезную пилу в помещении или ограниченном пространстве. Обеспечить надлежащую вентиляцию на рабочем участке.



ВНИМАНИЕ

Вырабатываемые этим оборудованием выхлопные газы очень токсичны и могут убить!

Вилки (только электрическая модель)

Камнерезные пилы MS500 предназначены для промышленного использования и поставляются со следующими вилками.

Электромотор 110 В – вилка BS4343 на 32 А.

Электромотор 230 В – вилка BS4343 на 16 А.

Монтаж вилки – **ОСТОРОЖНО! ЭТО УСТРОЙСТВО ДОЛЖНО БЫТЬ ЗАЗЕМЛЕНО**

ВАЖНО! Провода имеют следующее цветное обозначение:

ЗЕЛЕНый / ЖЕЛТый = ЗАЗЕМЛЕНИЕ, СИНИЙ = НОЛЬ, КОРИЧНЕВый = ФАЗА

Зелено-желтый провод подключается к выводу с маркировкой E (заземление) или выводу зелено-желтого цвета. Коричневый провод подключается к выводу с маркировкой L (фаза) или выводу красного цвета. Синий провод подключается к выводу с маркировкой N (ноль) или выводу черного цвета.

Перед подключением устройства к электросети следует убедиться, что напряжение питания соответствует номинальному напряжению электромотора.

Предпусковая проверка

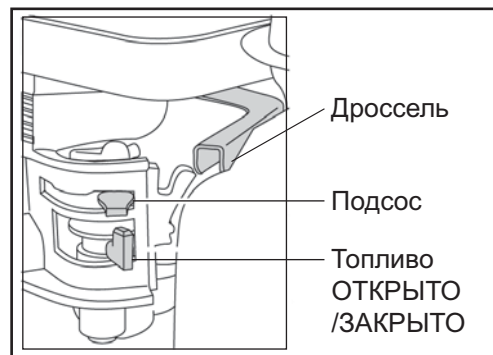
Перед началом работы и после каждых четырех часов эксплуатации следует выполнить предпусковую проверку. Подробные указания изложены в разделе о техническом обслуживании. При выявлении неисправности следует прекратить эксплуатацию устройства до устранения неисправности.

1. Тщательно осмотреть камнерезную пилу для выявления признаков повреждений. Убедиться, что компоненты на своих местах и закреплены. Особое внимание следует обратить на защитный кожух диска.
2. Проверить трубки, шланги, заливочные отверстия, пробки сливных отверстий и другие части для выявления признаков утечек жидкостей. Перед эксплуатацией следует устранить утечки.
3. Проверить уровень масла в двигателе и долить при необходимости.
4. Проверить уровень топлива в двигателе и долить при необходимости.
5. Осмотреть для выявления утечки топлива или масла.

Порядок пуска и останова

Бензиновый двигатель Honda GX160

1. Открыть топливный кран, передвинув рычаг включения/выключения подачи топлива в крайнее левое положение.
2. В случае холодного пуска передвинуть рычаг воздушной заслонки в крайнее левое положение. В случае горячего пуска подсос обычно не требуется. Однако если двигатель остыл, может понадобиться частичный подсос.
3. Повернуть выключатель двигателя по часовой стрелке в положение «I».
4. Перевести рычаг дроссельной заслонки до упора вправо, чтобы установить дроссельную заслонку в нейтральное положение.
5. Крепко держа ручку управления одной рукой, взяться за пусковую рукоятку другой рукой. Потянуть за пусковую рукоятку, пока не почувствуется сопротивление, и дать рукоятке вернуться на место.
6. Резко дернуть за пусковую рукоятку, стараясь не вытянуть шнур на всю длину.
7. Повторять процедуру до запуска двигателя.
8. После запуска двигателя постепенно перевести рычаг воздушной заслонки в крайнее правое положение.
9. Если двигатель не запускается после нескольких попыток, следует обратиться к руководству по устранению неисправностей.
10. Для останова двигателя следует полностью поднять диск в кожух и перевести дроссельную заслонку в нейтральное положение. Дать двигателю поработать вхолостую не менее двух минут.
11. Повернуть выключатель двигателя против часовой стрелки в положение «0».
12. Перекрыть подачу топлива.



Инструкция по эксплуатации

110 В двигатель

В двигателе мощностью 2,2 кВт 110 В должен использоваться понижающий трансформатор 230/110 В мощностью не менее 10 кВА, подключенный к источнику питания надлежащего номинала и защиты в соответствии с местными правилами и стандартами по электромонтажу.

230 В двигатель

Двигатель мощностью 2,2 кВт 230 В должен быть подключен к источнику питания с соответствующей номинальной мощностью и защитой в соответствии с местными правилами и стандартами по электромонтажу.

инструкция по эксплуатации

- **Доставить пилу на место эксплуатации.**
Перед транспортировкой пилы в другое место следует выключить двигатель. **ЗАПРЕЩАЕТСЯ** транспортировать пилу с работающим двигателем, даже если нужно перевезти ее на короткое расстояние. Пила должна быть перемещена вручную с помощью ручек только на ровной поверхности. Если земля неровная вилочный погрузчик должен быть использован (см 'вилочный погрузчик' наклейки для позиционирования).
- **После выполнения указанных выше предпусковых проверок можно запускать двигатель.**
Диск должен вращаться на холостых оборотах. **ОБЯЗАТЕЛЬНО** проверить диск для выявления признаков биения, вибрации или необычного шума. При выявлении указанных признаков следует немедленно остановить устройство и следовать руководству по устранению неисправностей.
- **Установить дроссельную заслонку на максимум, и пила готова к эксплуатации.**
 - Скорость резки зависит от типа разрезаемого материала.
 - **ЗАПРЕЩАЕТСЯ** резко погружать диск в материал.
 - Резка материала большой твердости занимает больше времени. Следует стараться делать разрез за несколько проходов во избежание чрезмерного износа диска.
 - **ЗАПРЕЩАЕТСЯ** сильно вдавливать диск в материал, так как это может привести к повреждению диска.
 - Если диск остановится в материале во время резки, следует остановить двигатель и освободить диск. Если двигатель будет работать при неподвижном диске, это приведет к чрезмерному износу прижимных шайб, вала, диска и ремней.
- **Останов пилы выполняется согласно порядку пуска/останова.**
Примечание. На кожухе диска справа находится кнопка аварийного останова. При нажатии этой кнопки двигатель останавливается. Для продолжения работы следует вытащить кнопку.

Камнерезная пила предназначена для многолетней бесперебойной работы. Однако она требует несложного регулярного обслуживания, описанного в этом разделе. Рекомендуется, чтобы основное обслуживание и ремонт выполнял одобренный дилер компании Altrad Belle. Следует использовать только оригинальные запасные части Altrad Belle; использование поддельных частей может привести к аннулированию вашей гарантии. Перед выполнением обслуживания устройства следует выключить двигатель и отсоединить провод высокого напряжения от свечи зажигания. Для получения правильных показаний уровней жидкостей пила должна находиться на ровной поверхности. Следует использовать только рекомендуемые масла (см. таблицу ниже).

Время приработки

При первом использовании камнерезной пилы следует заменить моторное масло после приработки (подробнее в руководстве к двигателю). Через 4 часа эксплуатации следует проверить натяжение ремня. После установки новых ремней следует проверить их через 30 часов эксплуатации.

Приводной ремень

Снять кожух ремня и проверить натяжение ремня, слегка нажав на него пальцем посередине между приводом и шкивом. Ремень должен прогибаться на 12 мм. Если необходимо отрегулировать ремень, следует ослабить крепежные болты и отодвинуть двигатель назад. Затем затянуть крепежные болты. Установив двигатель в требуемое положение, следует снова проверить натяжение ремня. Затем проверить центровку шкива. Если центровка неправильная, ослабить конусные втулки и отцентрировать шкив. Достигнув правильной центровки, затянуть конусные втулки. В конце правильно установить на место и надежно закрепить кожух ремня.

Удлинительные кабели

Если вам необходимо использовать удлинительный кабель, его длина не должна превышать 30 метров (100 футов). Сечение провода удлинительного кабеля должно составлять минимум 6,0 мм² на машинах на 110 В и 2,5 мм² на машинах на 230 В.

Убедитесь, что удлинительный кабель аккуратно проложен, избегая попадания жидкостей, острых краев и мест, по которым могут наехать автомобили. Полностью разверните его, иначе он перегреется.

Выравнивание насоса

Механический водяной насос работает от основных приводных ремней. Для регулировки насоса следует ослабить два крепежных болта и сдвинуть насос вверх или вниз, в зависимости от текущего расположения насоса. Установив насос в требуемое положение, затянуть крепежные болты.

Текущее обслуживание		При каждом использовании	Первые 4 часа	Первый месяц / 20 ч	3 месяца / 50 ч	6 месяцев / 100 ч
Моторное масло	Проверить уровень		✓			
	Заменить			✓		✓
Воздушный фильтр	Проверить состояние	✓				✓
	Очистить				✓	
	Заменить					✓
Свеча зажигания	Заменить					✓
Приводной ремень	Натяжение		✓	✓	✓	

Тип и количество масла / топлива. Тип свечи зажигания

	Тип масла	Количество (л)	Тип топлива	Емкость (л)	Тип свечи зажигания	Зазор между электродами
Honda GX160	S.A.E. 10W 30	0.6	Неэтилированное	3.6	BM6ES или BPR6ES	0.6 - 0.7мм
Редукционная коробка	S.A.E 15W 40	0.5	н/д	н/д	н/д	н/д

Проблема	Причина	Решение
Не запускается двигатель.	В двигатель не поступает топливо.	Открыть топливный кран. Заполнить топливный бак.
	Выключился двигатель.	Включить двигатель.
	Засорена свеча зажигания.	Очистить, проверить и отрегулировать зазор свечи.
	Не прогрет двигатель.	Закрыть воздушную заслонку
	Двигатель залит.	Открыть воздушную заслонку, полностью открыть дроссельную заслонку, дергать за пусковую рукоятку до запуска двигателя.
Не вращается диск.	Неправильно натянуты ремни.	Отрегулировать натяжение ремней.
	Обрыв ремней.	Заменить ремни.
Не работает водяной насос.	Насос неправильно выровнен.	Выровнять насос.
	Засор отстойника.	Очистить отстойник.
	Насос изношен / поврежден.	Заменить насос.
Чрезмерный шум, вибрация или биение диска.	Проверить состояние подшипников вала	Заменить при необходимости.
	Проверить состояние фланца диска.	Заменить при необходимости.
	Проверить состояние фланца диска.	Заменить при необходимости.
	Осмотреть диск для выявления признаков повреждений.	Заменить диск.

Окружающая среда

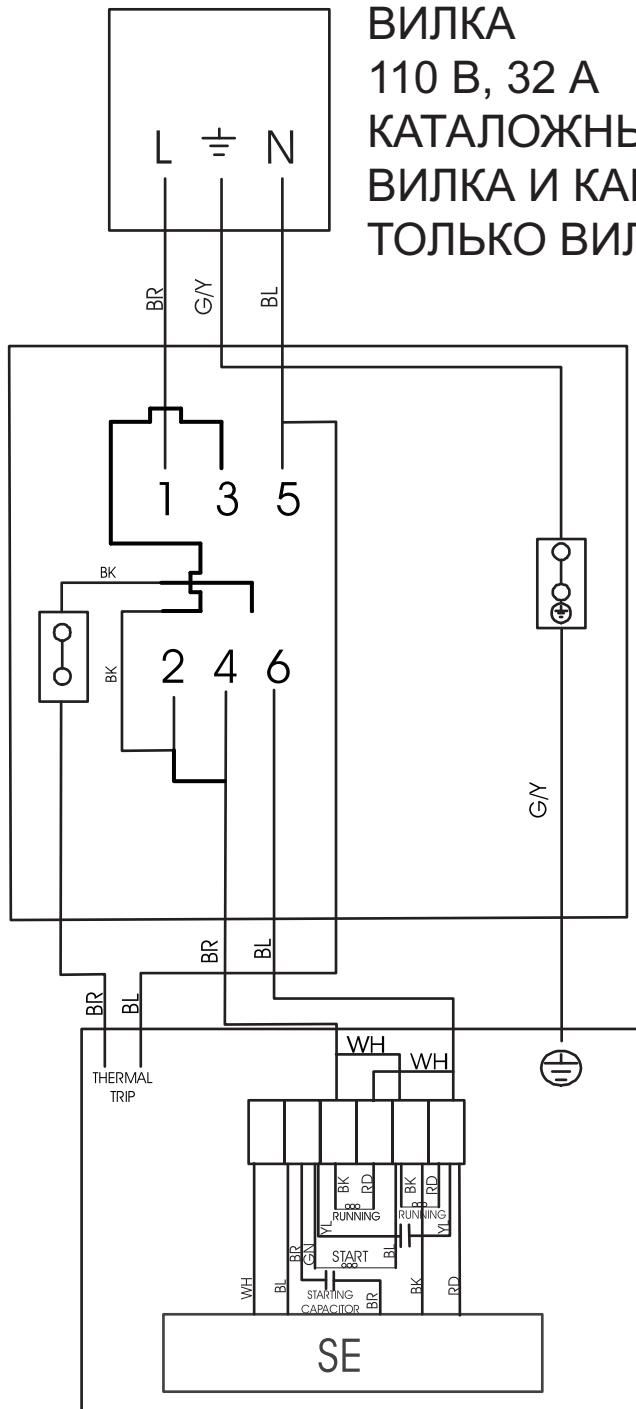
Безопасная утилизация



Указания по защите окружающей среды
 Устройство содержит ценные материалы.
 Списанное устройство вместе со вспомогательным оборудованием сдается на соответствующее перерабатывающее предприятие.

Компонент	Материал
Ручка	Сталь
Основная рама	Сталь
Рукоятки	Резина
Двигатель	Алюминий
Упругие опоры	Сталь и резина
Различные детали	Сталь и алюминий

ПИЛА MS500 110 В 948.3.013



ВИЛКА

110 В, 32 А

КАТАЛОЖНЫЙ НОМЕР BELLE:

ВИЛКА И КАБЕЛЬ 71/0259

ТОЛЬКО ВИЛКА 918/28600

ПРЯМОЙ СТАРТЕР

110 В, 25–32 А

КАТАЛОЖНЫЙ НОМЕР

BELLE:

70/0280

ЭЛЕКТРОМОТОР

110 В, 2,2 КВТ

КАТАЛОЖНЫЙ

НОМЕР BELLE:

20/0101

ОБОЗНАЧЕНИЕ

BR = КОРИЧНЕВЫЙ

BL = СИНИЙ

BK = ЧЕРНЫЙ

RD = КРАСНЫЙ

WH = БЕЛЫЙ

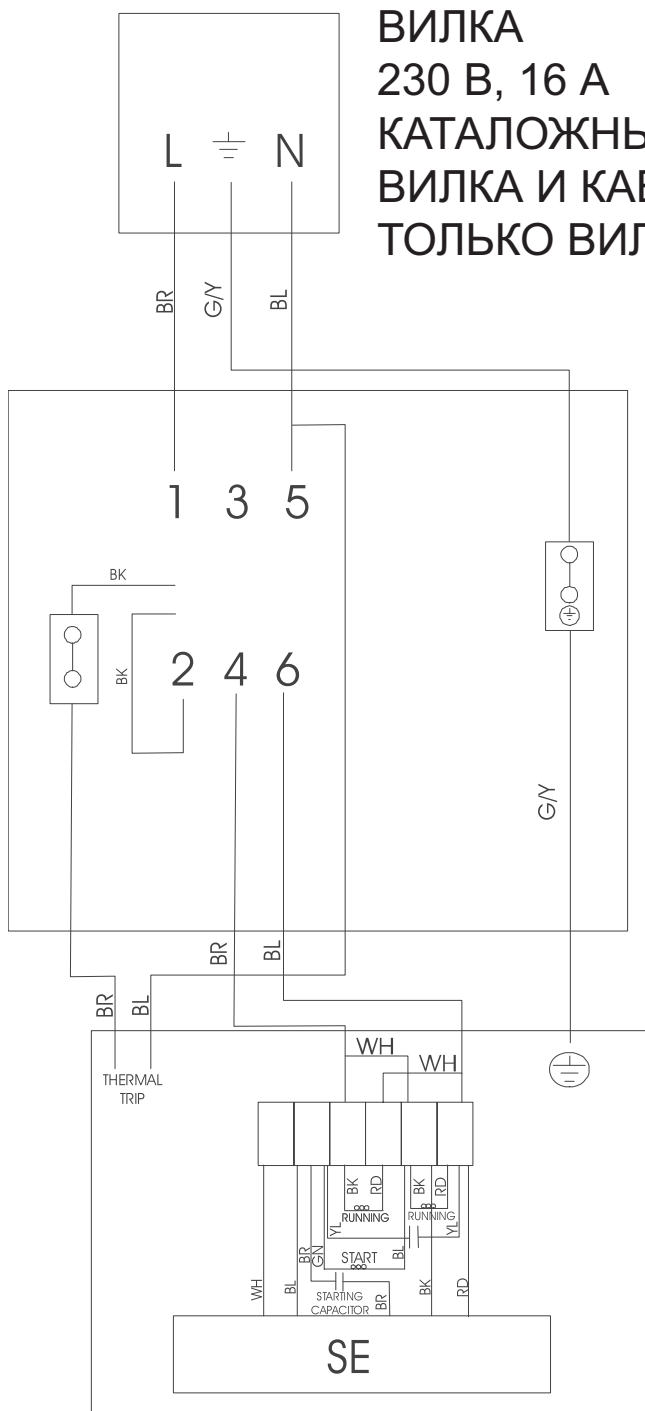
VT = ФИОЛЕТОВЫЙ

GR = ЗЕЛЕНЫЙ

YL = ЖЕЛТЫЙ

GY = ЗЕЛЕНО-ЖЕЛТЫЙ

ПИЛА MS500 230 В 948.3.019



ВИЛКА

230 В, 16 А

КАТАЛОЖНЫЙ НОМЕР BELLE:

ВИЛКА И КАБЕЛЬ 71/0262

ТОЛЬКО ВИЛКА 70/0256

ПРЯМОЙ СТАРТЕР

230 В, 10–16 А

КАТАЛОЖНЫЙ НОМЕР

BELLE:70/0262

ЭЛЕКТРОМОТОР

230 В, 2,2 КВТ

КАТАЛОЖНЫЙ

НОМЕР BELLE:

20/0102

ОБОЗНАЧЕНИЕ

BR = КОРИЧНЕВЫЙ

BL = СИНИЙ

BK = ЧЕРНЫЙ

RD = КРАСНЫЙ

WH = БЕЛЫЙ

VT = ФИОЛЕТОВЫЙ

GR = ЗЕЛЕНЫЙ

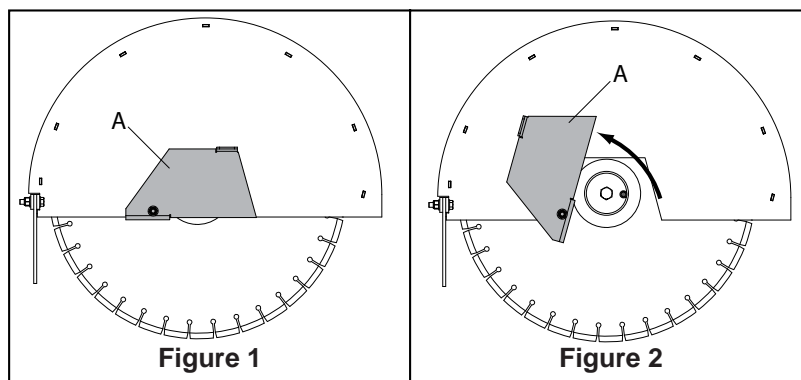
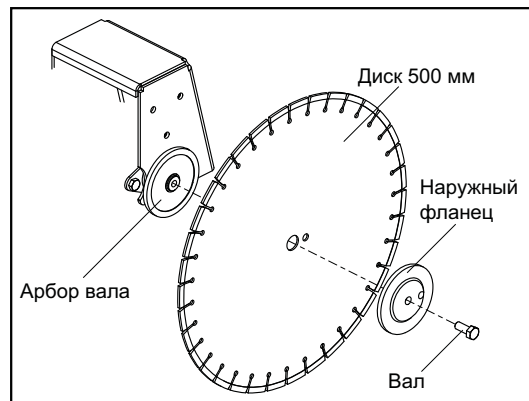
YL = ЖЕЛТЫЙ

GY = ЗЕЛЕНО-ЖЕЛТЫЙ

**ВНИМАНИЕ**

Неправильно установленный диск может привести к серьезным травмам. При монтаже диска необходимо следовать инструкции. При возникновении сомнений следует обратиться к своему начальнику или в компанию Altrad Belle.

1. Отсоединить провод высокого напряжения от свечи зажигания.
2. Освободить доступ к болту вала (9/12027) и фланцу (948/05400), подняв защитную пластину диска (A) (рис. 1 и 2)
3. Снимите болт вала оправки (левая резьба) и внешний фланец.
4. Осмотреть наружный фланец и вал (948/04700) для выявления износа. Заменить при необходимости и установить диск согласно нормам по технике безопасности ANSI B7.1 (США), SCA (Канада) и HMSO № 4 (Великобритания).
5. Очистить наружный фланец перед установкой диска на вал и шпонки диска (71.0.088).
6. Убедиться, что направление стрелки на диске совпадает с направлением стрелки на кожухе диска.
7. Установить на место наружный фланец.
8. Ввинтить и надежно затянуть болт вала.
9. Опустить защитную панель диска.
10. Подсоединить провод высокого напряжения к свече зажигания.
11. Устройство готово к эксплуатации.



Исходному покупателю новой камнерезной пилы Altrad Belle дается гарантия на один год (12 месяцев) со дня исходной покупки. Altrad Belle гарантирует отсутствие дефектов конструкции, материалов и изготовления.

Гарантия Бель Групп не распространяется на перечисленное ниже:

1. Повреждения, возникшие в результате злоупотребления, неправильного употребления, падения на землю, а также иные повреждения подобного рода, появившиеся в результате или возникшие из-за неверного использования инструкций по монтажу, использованию и обслуживанию.
2. Внесенные изменения, дополнения и ремонтные работы, выполненные кем-либо помимо Бель Групп или их официальных представителей.
3. Расходы по пересылке или перевозке (в оба конца) какой-либо машины в Бель Групп или к их официальному представителю для ремонта или осмотра по гарантийной претензии.
4. Материалы и стоимость работы по обновлению, ремонту или замене компонентов, подверженных обычному износу.

Гарантия не распространяется на следующие компоненты:

- Ремни приводов;
- Воздушные фильтры мотора;
- Свечи зажигания.

Ни сама Бель Групп, ни ее официальные представители, руководители, работники или страховщики не несут ответственности за повреждения, возникшие как следствие или иные повреждения, потери или расходы, возникшие в результате или в связи с невозможностью использовать машину для каких-либо целей.

Гарантийные претензии

Все гарантийные претензии должны быть прежде всего направлены непосредственно в Белле Групп по телефону, по факсу, по э-почте или в письменном виде.

Для гарантийных претензий:

Тел.: +44 (0)1298 84606

Факс: +44 (0)1298 84073

Э-почта: warranty.dept@altrad-belle.com

В письменном виде:

Altrad Belle Warranty Department
Sheen, Nr. Buxton
Derbyshire
SK17 0EU
England

Регистрация гарантии:

Для улучшения экологических показателей ALTRAD Belle мы ввели онлайн-регистрацию гарантии. Страница регистрации доступна на нашем сайте по адресу:

http://www.bellegroup.com/index.php?p=warranty_registration

Вы также можете открыть страницу регистрации, просканировав QR-код смартфоном.



При обслуживании этого продукта могут использоваться только оригинальные запчасти производителя.

Пользователь потеряет любые возможные претензии, если используемые запасные части не являются оригинальными запасными частями производителя.

Список запчастей для этого продукта в формате PDF можно найти в разделе «продукт» нашего веб-сайта **Altrad-Belle.com**. Информацию о поиске запасных частей у местного дилера можно найти в разделе «Свяжитесь с нами».



BELLE
LIGHT
CONSTRUCTION
EQUIPMENT

ALTRAD BELLE

Sheen, Nr. Buxton, Derbyshire, SK17 0EU, GB

Tel. +44 (0)1298 84606 - Fax +44 (0)1298 84722 - Email: sales@altrad-belle.com

www.Altrad-Belle.com

EU IMPORTER ADDRESS

ADRESSE DE L'IMPORTATEUR - DIRECCIÓN DEL IMPORTADOR - ENDEREÇO DO IMPORTADOR - ADRES IMPORTEUR

IMPORTØRENS ADRESSE - IMPORTEUR ADRESSE - INDIRIZZO DELL'IMPORTATORE - IMPORTÖRENS ADRESS - IMPORTØRADRESSE

MAAHANTUOJAN OSOITE - ADRES IMPORTERA - IMPORTIJA AADRESS - IMPORTĚTĀJA ADRESE - IMPORTUOTOJO ADRESAS

ADRESA DOVOZCE - ADRESA IMPORTATORULUI - IMPORTÓR CÍME - ADRESA UVOZNIKA - ÍTHALATÇI ADRESI - ADRESA DOVOZCU

ALTRAD (Group Holding)

125, Rue du Mas Carbonnier, 34000, Montpellier, France

Tel. +33 (0) 4 67 50 53 66 - Email: admin@altrad.com

www.altrad.com