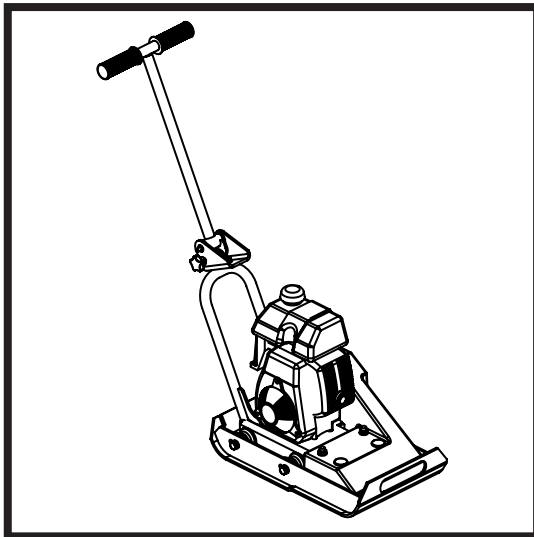




BELLE MPC 300 PLATE COMPACTOR

870/10009/5
03/22



Ⓞ GB	Operators Manual	6
Ⓞ F	Manuel De L'Opérateur	13
Ⓞ NL	Handleiding	20
Ⓞ RUS	Руководство для оператора	27

2

UKCA Declaration of Conformity

3 - 5

EC/EU Declaration of Conformity

Declaration Of Conformity (DOC)

We, **Altrad Belle, Sheen, Nr. Buxton, Derbyshire, SK17 0EU, GB** declare that the DoC is issued under our sole responsibility and belongs to the followings product(s):



PRODUCT TYPE

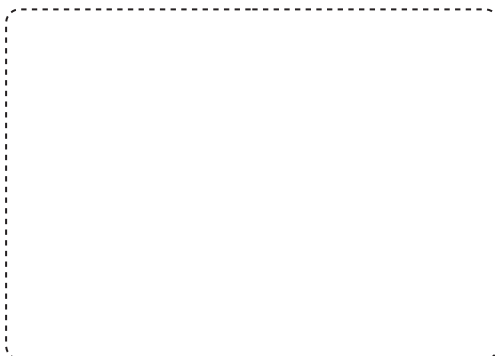
MODEL.....

SERIAL No.....

DATE OF MANUFACTURE

SOUND POWER LEVEL
MEASURED /
.....(GUARANTEED)

WEIGHT.....



Object of the Declaration:

Single-direction plate compactor used for soil compaction on new developments, repairs and maintenance jobs with large aggregates, cohesive material or moist content.

The object of the declaration described above is in conformity with the relevant **Statutory Requirements:**

- **2008 No. 1597** Supply of Machinery (Safety) Regulations 2008
- **2001 No. 1701** Noise Emission in the Environment by Equipment for use Outdoors Regulations 2001

The following designated standards and technical specifications have been applied:

- **EN ISO 12100:2010** Safety of machinery
- **EN 500-4:2011** Mobile road construction machinery. Safety.
- **ISO 3744:2010** Acoustics — Determination of sound power levels and sound energy levels of noise sources using sound pressure

ANP CERTIFICATION LTD. (Approved Body, number 8500) 2 Parkfield Street, Manchester, M14 4PN, UK carried out Internal Control of Production with Assessment of Technical Documentation and Periodical Checking as per Schedule 9 of SI 2001 1701

Technical Files are held by **Ray Neilson** at the Altrad Belle address stated above:-

Place of Declaration:-

Sheen,
Nr. Buxton,
Derbyshire,
SK17 0EU,
UK

Date of Declaration:-

February 2022

Signed by:

Ray Neilson

Managing Director
On behalf of Altrad Belle
Sheen, Derbyshire, UK

We, **Altrad Belle, Sheen, Nr. Buxton, Derbyshire, SK17 0EU, GB** declare that the DoC is issued under our sole responsibility and belongs to the followings product(s):



PRODUCT TYPE
MODEL.....
SERIAL No.....
DATE OF MANUFACTURE
SOUND POWER LEVEL
MEASURED /
.....(GUARANTEED)
WEIGHT.....



Object of the Declaration:

Single-direction plate compactor used for soil compaction on new developments, repairs and maintenance jobs with large aggregates, cohesive material or moist content.

The object of the declaration described above is in conformity with the relevant **Union Harmonisation Legislation:**

- **2006/42/EC** New machinery directive
- **2000/14/EC** Noise - equipment for use outdoors

The following harmonised standards and technical specifications have been applied:

- **EN ISO 12100:2010** Safety of machinery
- **EN 500-4:2011** Mobile road construction machinery. Safety.
- **ISO 3744:2010** Acoustics — Determination of sound power levels and sound energy levels of noise sources using sound pressure

VINÇOTTE nv/sa (NB0026) carried out Internal Control of Production with Assessment of Technical Documentation and Periodical Checking as per Annex VI of 2000/14/EC

Technical Files are held by **Hugues Menager** at the following address:-
Altrad (Group Holding), 125 Rue du Mas Carbonnier, 34000, Montpellier, France.

Place of Declaration:-

Sheen,
Nr. Buxton,
Derbyshire,
SK17 0EU,
UK

Date of Declaration:-

April 2021

Signed by:

Ray Neilson

Managing Director
On behalf of Altrad Belle
Sheen, Derbyshire, UK

Nous, **Altrad Belle, Sheen, Nr. Buxton, Derbyshire, SK17 0EU, GB** déclarons que la DdC est émise sous notre seule responsabilité et qu'elle appartient au(x) produit(s) suivants:



TYPE DE PRODUIT.....

MODÈLE

No DE SÉRIE.....

DATE DE FABRICATION.....

NIVEAU DE PUISSANCE ACOUSTIQUE

MESURÉ /

.....(GARANTI)

POIDS

Voir page 3
pour cette information

Objet de la déclaration:

Single-direction plate compactor used for soil compaction on new developments, repairs and maintenance jobs with large aggregates, cohesive material or moist content.

L'objet de la déclaration décrite ci-dessus est conforme à la **législation de l'Union européenne en matière d'harmonisation**:

- **2006/42/EC** Directive relative aux machines
- **2000/14/EC** Émissions sonores - matériels utilisés à l'extérieur

Les normes et les spécifications techniques harmonisées suivantes ont été appliquées:

- **EN ISO 12100:2010** Sécurité des machines
- **EN 500-4:2011** Machines mobiles de construction de routes. Sécurité.
- **ISO 3744:2010** Acoustique - Détermination des niveaux de puissance acoustique et des niveaux d'énergie acoustique des sources de bruit à l'aide de la pression acoustique

VINÇOTTE nv/sa (NB0026) a effectué un contrôle interne de la production avec évaluation de la documentation technique et vérification périodique conformément à l'annexe VI de la directive 2000/14/CE

Les dossiers techniques sont détenus par **Hugues Menager** à l'adresse suivante:-
Altrad (Group Holding), 125 Rue du Mas Carbonnier, 34000, Montpellier, France.

Lieu de la déclaration:-

Sheen,
Nr. Buxton,
Derbyshire,
SK17 0EU,
UK

Signée par:

Ray Neilson

Directeur Général
Au nom de Altrad Belle
Sheen, Derbyshire, R.-U.

Date de la déclaration:-

Avril 2021

Wij, **Altrad Belle, Sheen, Nr. Buxton, Derbyshire, SK17 0EU, GB** verklaren dat de verklaring van overeenstemming uitsluitend onder onze verantwoordelijkheid is opgesteld en bij de volgende product(en) behoort:



PRODUCTTYPE

MODEL

SERIENR.

FABRICATIEDATUM

GEMETEN
GELUIDSVERMOGENNIVEAU /
..... (GEGARANDEERD)

GEWICHT.....

Zie pagina 3
voor deze informatie

Voorwerp van de Verklaring:

Eenrichtingsplaatverdichter gebruikt voor bodemverdichting bij nieuwe ontwikkelingen, reparaties en onderhoudswerkzaamheden met grote aggregaten, samenhangend materiaal of vochtige inhoud.

Het voorwerp van de hierboven beschreven verklaring is conform met de relevante harmonisatiewetgeving van de Unie:

- **2006/42/EG** Nieuwe Machinerichtlijn
- **2000/14/EG** Geluid - materieel voor gebruik buitenshuis

De volgende geharmoniseerde normen en technische specificaties werden toegepast:

- **EN ISO 12100:2010** Veiligheid van machines
- **EN 500-4:2011** Mobiele wegebouwmachines. Veiligheid.
- **ISO 3744:2010** Akoestiek - Bepaling van geluidsvermogensniveaus en geluidsenergie niveaus van geluidsbronnen die geluidsdruk gebruiken

VINÇOTTE nv/sa (NB0026) voerde de interne productiecontrole uit, met een beoordeling van de Technische Documentatie en een periodieke controle, volgens Bijlage VI van 2000/14/EG

De technische documentatie wordt bijgehouden door **Hugues Menager** op het volgende adres: **Altrad (Group Holding)**, 125 rue du Mas Carbonnier, 34000, Montpellier, Frankrijk.

Plaats van de verklaring:-

Sheen,
Nr. Buxton,
Derbyshire,
SK17 0EU,
UK

Ondertekend door:

Ray Neilson

Datum van de verklaring:-

April 2021

Directeur
Namens Altrad Belle
Sheen, Derbyshire, VK



How To Use This Manual

This manual has been written to help you operate and service the 'MPC300' Plate compactor safely. This manual is intended for dealers and operators of the 'MPC300' Plate compactor .

Foreword

The '**Machine Description**' section helps you to familiarise yourself with the machine's layout and controls.

The '**Environment**' section gives instructions on how to handle the recycling of discarded apparatus in an environmentally friendly way.

The '**General Safety**' and '**Health and Safety**' sections explain how to use the machine to ensure your safety and the safety of the general public.


The '**Operating Instructions**' section helps you with the setting up and use of the machine.


The '**Trouble Shooting**' guide helps you if you have a problem with your machine.

The '**Service & Maintenance**' section is to help you with the general maintenance and servicing of your machine.

Directives with regard to the notations.


Text in this manual to which special attention must be paid are shown in the following way:

 **CAUTION** *The product can be at risk. The machine or yourself can be damaged or injured if procedures are not carried out in the correct way.*

 **WARNING** *The life of the operator can be at risk.*



WARNING

 **WARNING** *Before you operate or carry out any maintenance on this machine YOU MUST READ and STUDY this manual.*

KNOW how to safely use the unit's controls and what you must do for safe maintenance. (NB Be sure that you know how to switch the machine off before you switch on, in case you get into difficulty.)

ALWAYS wear or use the proper safety items required for your personal protection. If you have **ANY QUESTIONS** about the safe use or maintenance of this unit, ASK YOUR SUPERVISOR OR CONTACT: **Altrad Belle (UK): +44 (0) 1298 84606**

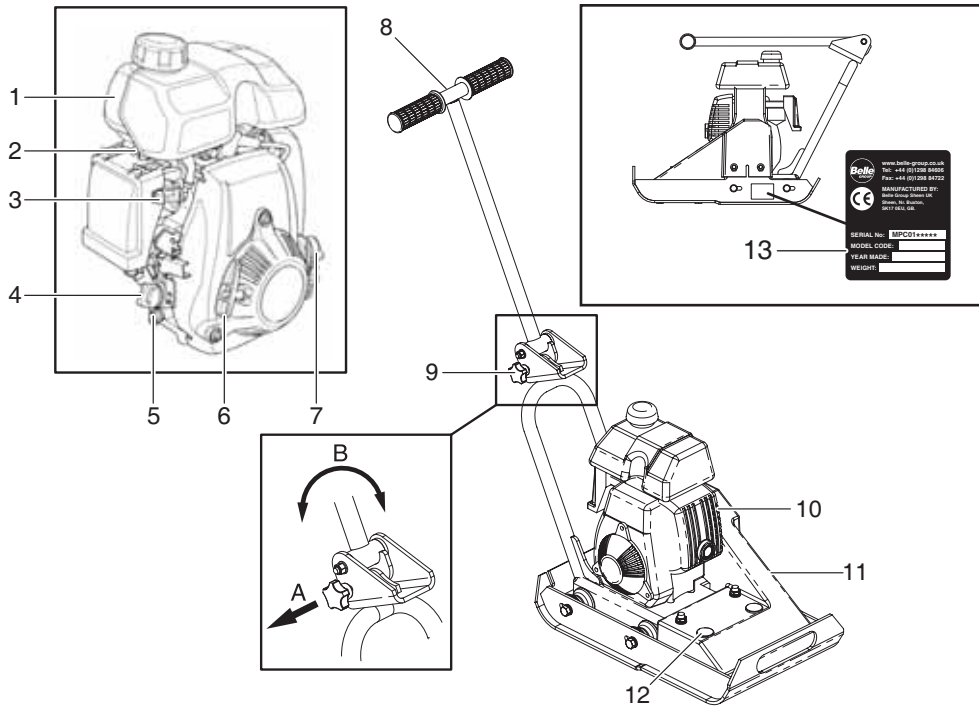


Contents

How to use this manual.....	6
Warning	6
Machine Description.....	7
Technical Data.....	7
Decals.....	8
Environment	8
Reasons For compaction	8
General Safety	9
Health and Safety.....	9
Pre-Start Checks	9
Operating Instructions	10
Service & Maintenance	11
Trouble Shooting Guide	12
Warranty	12
UKCA Declaration of Conformity.....	2
EC/EU Declaration of Conformity.....	3

Altrad Belle reserves the right to change machine specification without prior notice or obligation.

Machine Description



1. Fuel Tank,
2. Choke Lever
3. Fuel ON/OFF Lever,
4. Engine Oil Filler / Dipstick
5. Engine Oil Drain Plug
6. Recoil Starter Handle
7. Engine ON/OFF Switch
8. Operating Handle
9. Operating Handle Locking Knob
10. Exhaust
11. Belt Guard
12. Vibrator Lubrication Access Point
13. Serial Number Label



CAUTION

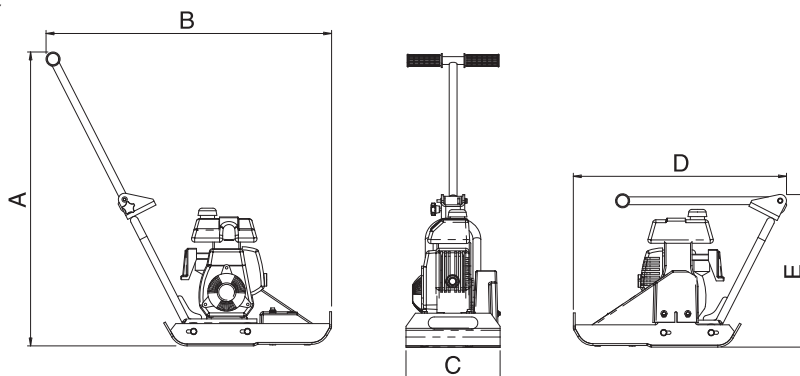
The optimum engine RPM has been pre-set at the factory; **DO NOT** adjust the throttle position. Failure to comply may result in damage or the product warranty being voided.

Technical Data



Model	MPC 300
A - Height (Maximum) - Operation (mm)	937
B - Length (Maximum) - Operation (mm)	1073
C - Width (mm)	300
D - Length - Storage (mm)	707
E - Height - Storage (mm)	491
Engine	Honda GXH50
Engine Power (Hp/kW)	2.5/1.8 @ 3800rpm
Weight (kg)	32.5
Centrifugal Force (kN)	3.25
Frequency (Hz)	80
Maximum Travel Speed (m/min)	12.9
Compaction Force (kg/m ²)	556
3 Axis Vibration* (m/sec ²)	7.11
Usage Time (min)	60
Sound Power Level (LWA)	99 dB(A)

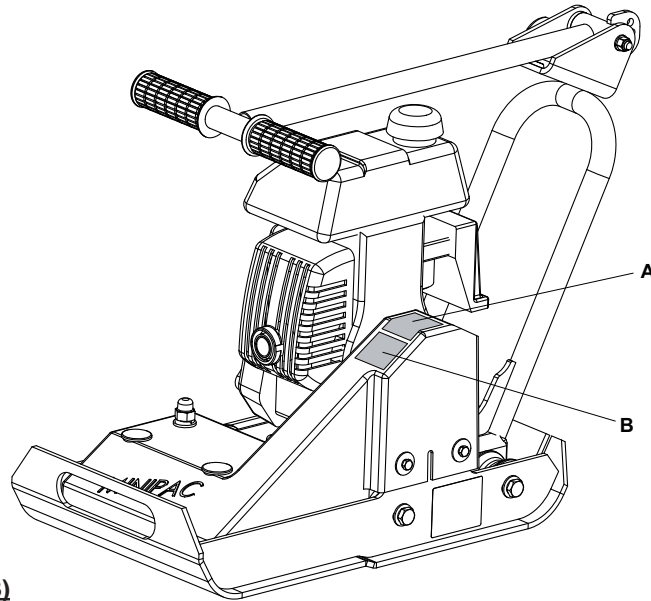
* Minimum level to EN500 Part 4



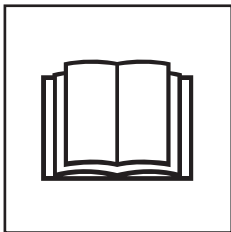


Decals

- A. Safety Decal
- B. Noise Decal



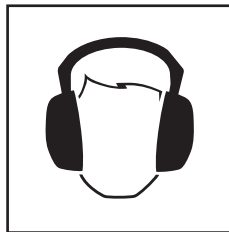
A - Safety Decal (Part No. 19.0.373)



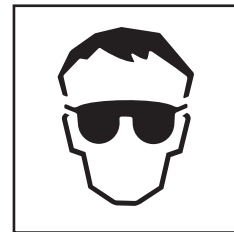
**Please Read
Operators Manual**



**Wear Protective
Footwear**



**Wear Ear
Protection**



**Wear Eye
Protection**

B - Noise Decal (800-99916)

The Noise Level of the machine during operation is 99 dB(A)



Environment

Safe Disposal.



Instructions for the protection of the environment. The machine contains valuable materials. Take the discarded apparatus and accessories to the relevant recycling facilities.

Component	Material
Operator Handle	Steel
Hand Grip	Rubber
Main Frame	Steel
Base Plate	Steel
Eccentric Weight	Steel
Petrol Engine Housing	Aluminium
Petrol Engine Covers	Synthetic Material
Various Parts	Steel & Aluminium



Reasons For Compaction

Soil, which has been disturbed or new infill, subbase and blacktop, will have small voids or air pockets which, if not compacted, will lead to one or more problems occurring.

1. As traffic crosses the surface of an uncompacted area, the material is compressed. This leads to subsidence of the top surface as the material fills the voids.
2. A similar situation occurs with static loads on uncompacted ground. The load (e.g. a building) will sink.
3. Materials with voids are more susceptible to water seepage, leading to erosion. Water ingress may also cause the soil to expand during freezing temperatures and contract during dry spells. Expansion and contraction is a major cause of damage to building foundations and normally leads to the structure requiring underpinning.

Compaction increases the density of the material and therefore increases its load bearing capacity. Reduces air voids and therefore reduces the risk of subsidence, expansion and contraction, due to ingress of water.

General Safety



For your own personal protection and for the safety of those around you, please read and ensure you fully understand the following safety information. It is the responsibility of the operator to ensure that he/she fully understands how to operate this equipment safely. If you are unsure about the safe and correct use of the 'MPC300' Plate compactor, consult your supervisor or Altrad Belle.



WARNING

Improper maintenance can be hazardous. Read and Understand this section before you perform any maintenance, service or repairs.

- This equipment is heavy and must not be lifted single-handedly, either GET HELP or use suitable lifting equipment.
- Cordon off the work area and keep members of the public and unauthorized personnel at a safe distance.
- Personal Protective Equipment (PPE) must be worn by the operator whenever this equipment is being used (see Health & Safety).
- Make sure you know how to safely switch this machine OFF before you switch it ON in case you get into difficulty.
- Always switch OFF the engine before transporting, moving it around the site or servicing it.
- During use the engine becomes very hot, allow the engine to cool before touching it. Never leave the engine running and unattended.
- Never remove or tamper with any guards fitted, they are there for your protection. Always check guards for condition and security, if any are damaged or missing, DO NOT USE THE MACHINE until the guard has been replaced or repaired.
- Do not operate the MACHINE when you are ill, feeling tired, or when under the influence of alcohol or drugs.

Fuel Safety.



WARNING

Fuel is flammable. It may cause injury and property damage. Shut down the engine, extinguish all open flames and do not smoke while filling the fuel tank. Always wipe up any spilled fuel.

- Before refuelling, switch off the engine and allow it to cool.
- When refuelling, DO NOT smoke or allow naked flames in the area.
- Spilt fuel must be made safe immediately, using sand. If fuel is spilt on your clothes, change them.
- Store fuel in an approved, purpose made container away from heat and ignition sources.

Health And Safety



Vibration

Some vibration from the compaction operation is transmitted through the handle to the operator's hands. The Altrad Belle 'Minipac' has been specifically designed to reduce hand/arm vibration levels. Refer to Technical Data section for vibration levels and usage times (recommended maximum daily exposure time). **DO NOT** exceed the maximum usage times.

PPE (Personal Protective Equipment).

Suitable PPE must be worn when using this equipment i.e. Safety Goggles, Gloves, Ear Defenders, Dust Mask and Steel Toe capped footwear (with anti-slip soles for added protection). Wear clothing suitable for the work you are doing. Always protect skin from contact with concrete.

Dust.

The compaction process can produce dust, which may be hazardous to your health. Always wear a mask that is suited to the type of dust being produced.

Fuel.

Do not ingest fuel or inhale fuel vapors and avoid contact with your skin. Wash fuel splashes immediately. If you get fuel in your eyes, irrigate with copious amounts of water and seek medical attention as soon as possible.

Exhaust Fumes.

Do not operate your 'MPC300' indoors or in a confined space, make sure the work area is adequately ventilated.



WARNING

The exhaust fumes produced by this equipment are highly toxic and can kill!

Pre-Start Checks



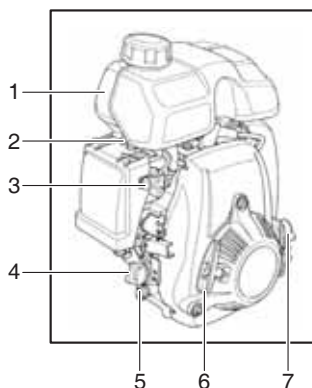
Pre start-up inspection.

The following Pre-start-up inspection must be performed before the start of each work session or after every four hours of use, whichever is first. Please refer to the service section for detailed guidance. If any fault is discovered, the 'MPC300' must not be used until the fault is rectified.

1. Thoroughly inspect the 'MPC300' for signs of damage. Make sure that the belt guard is secure before using the machine.
2. Check hoses, filler openings, drain plugs and any other areas for signs of leakage. Fix any leaks before operating.
3. Check the engine oil level and top up as necessary.
4. Check the engine fuel level and top up as necessary.
5. Check for fuel and oil leaks.

**WARNING**

Before you operate or carry out any maintenance on this machine YOU MUST READ and STUDY this manual.

**Honda GXH50**

1. Fuel Tank,
2. Choke Lever,
3. Fuel ON/OFF Lever,
4. Engine Oil Filler / Dipstick,
5. Engine Oil Drain Plug
6. Recoil Starter Handle,
7. Engine ON/OFF Switch

**CAUTION**

The optimum engine RPM has been pre-set at the factory; **DO NOT ADJUST THE ENGINE RPM.** Failure to comply may result in damage to the machine or the warranty becoming void.

Stopping the engine

1. Turn the engine ON / OFF switch anti-clockwise to the '0' position.
2. Turn the fuel off.

Starting the engine

1. Open the fuel tap by moving the fuel ON / OFF lever fully to the RIGHT.
2. If starting the engine from cold, move the choke lever to the CLOSED position. To restart a warm engine leave the choke lever in the OPEN position.
3. Turn the engine ON / OFF switch clockwise to the '1' position.
4. Taking a firm hold of the control handle with one hand, grasp the recoil starter handle with the other. Pull the recoil starter until engine resistance is felt, then let starter return.
6. Taking care not to pull the starter's rope fully out and pull the starter handle briskly.
7. Repeat until the engine fires. NOTE: Once the engine fires it will run on it's preset engine RPM.
8. IF the choke lever was moved to the CLOSED position to the start the engine, gradually move it to the OPEN position as the engine warms up.
9. If the engine fails to fire after several attempts, follow the trouble-shooting guide.

- **Take the 'MPC300' to where it is required.**
NEVER leave the engine running whilst moving or transporting the 'MPC300', even if it is only a short distance.
- **Having carried out the checks listed in the 'pre start' section, you may start the engine.**
- NOTE:- Once the machine has been started, the 'MPC300' should start vibrating and therefore the machine will also move in a forward direction. Always check the machine for any unusual noises. If any of these occur, stop the machine immediately and refer to the troubleshooting section.
- **Use the control handle to steer or turn the 'MPC300'.**
- The vibrator will not only cause the baseplate to vibrate but will also cause the machine to travel forward. During normal operation you should not have to push the 'MPC300' but allow it to travel at its own pace.
- The speed of travel will be determined by the condition of the surface being compacted.
- If the surface to be compacted is on a slope, great care must be taken when controlling the 'MPC300' direction of travel. Work up and down a slope not across.
- **Work the 'MPC300' over the surface in an organised pattern until the required compaction has been achieved.**
- Where there are a number of different layers to be compacted on top of each other, compact each layer individually.

Maintenance

The Altrad Belle 'MPC300' is designed to give many years of trouble free operation. It is recommended that an approved Altrad Belle dealer carries out all major maintenance and repairs. Always use genuine Altrad Belle replacement parts, the use of spurious parts may void your warranty.

Before any maintenance is carried out on the machine, switch off the engine and disconnect the HT lead from the sparkplug.

Always set the 'MPC300' on level ground to ensure any fluid levels will be correctly read. Only use recommended oils (see chart on following page).

Running In Period

When the 'MPC300' is first used from new, the engine oil must be changed after the initial running in period (see engine manual for full detail). The belt tension should be checked after 4 hours use. If new belts have been fitted, the belt tension should be checked after 30 minutes.

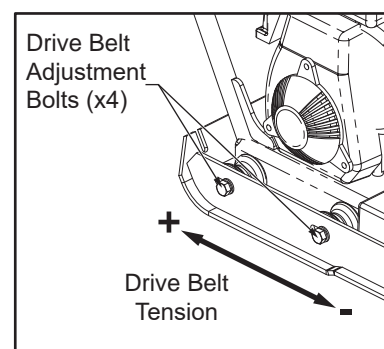
Routine Maintenance		First 4 Hours	First Month / 20 Hours	3 Months / 50 Hours	6 Months / 100 Hours
Engine Oil	Check Level	✓			
	Change		✓		✓
Air Filter	Check Condition		✓		✓
	Clean / Replace			✓	
Spark Plug	Change				✓
Drive Belt	Tension	✓	✓	✓	

Drive Belt

Remove the belt guard and check the belt tension by placing light finger pressure on the top of the belt, as near central between the engine drive and driven pulley. The belt should deflect by approximately 5mm.

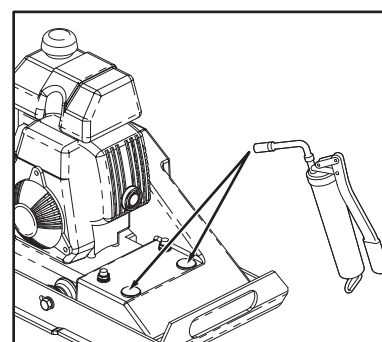
If the belt tension requires adjustment, loosen the four drive belt adjustment bolts enough to allow the engine to be moved. Adjust the engine's position by sliding the engine assembly forwards or backwards on the baseplate. Once set, retighten the drive belt adjustment bolts and re-check the belt tension.

Check the pulley alignment. If the alignment is incorrect, loosen the taperlock bushes and move the pulley to suit. Once the pulley is aligned, retighten the taperlock bushes. Replace the belt guard ensuring it is correctly and securely fitted.



Vibrator Unit.

Remove the access plugs (x2) from the belt guard. Top up as necessary with the suitable grease.



Oil / Fuel Type & Quantity - Spark Plug Type

	Oil Type	Quantity (Litre)	Fuel Type	Capacity (Litre)	Spark Plug Type	Electrode Gap (mm)
Petrol Honda GXH50	S.A.E. 10W 30	0.25	Unleaded	1.2	BM4a или BmR4a	0.6 - 0.7



Troubleshooting Guide

Problem	Cause	Remedy
Engine will not start.	No fuel.	Open fuel tap.
		Fill fuel tank.
	Engine switched off.	Switch engine on.
	Spark plug fouled.	Clean and reset plug gap.
	Engine cold.	Close choke.
	Engine flooded.	Honda, open choke, fully open throttle, pull recoil starter until engine fires.
Engine still will not start.	Major Fault	Contact Agent or Altrad Belle.
Unit will not vibrate.	Drive belt tension loose.	Adjust belt tension.
	Air filter blocked	Clean or renew air filter.
	Eccentric Shaft damaged.	Replace Eccentric Shaft
Asphalt adhering to plate.	Lack of lubrication.	Use a water spray system.
Paving blocks damaged.	Plate in direct contact with material.	Use a paving pad.
Bituminous surface flaking (laminating).	Over compaction.	Remove and relay.
Low travel speed (plate sinking).	Layer thickness too deep.	Remove some of the material.
	Moisture content too high or too low.	Remove material and adjust.



Warranty

Your new Altrad Belle 'MPC 300' Single Direction Plate Compactor is warranted to the original purchaser for a period of one-year (12 months) from the original date of purchase. The Altrad Belle warranty is against defects in design, materials and workmanship.

The following are not covered under the Altrad Belle warranty:

1. Damage caused by abuse, misuse, dropping or other similar damage caused by or as a result of failure to follow assembly, operation or user maintenance instructions.
2. Alterations, additions or repairs carried out by persons other than Altrad Belle or their recognised agents.
3. Transportation or shipment costs to and from Altrad Belle or their recognised agents, for repair or assessment against a warranty claim, on any machine.
4. Materials and/or labour costs to renew, repair or replace components due to fair wear and tear.

The following components are not covered by warranty.

- Drivebelt/s
- Engine air filter
- Engine spark plug

Altrad Belle and/or their recognised agents, directors, employees or insurers will not be held liable for consequential or other damages, losses or expenses in connection with or by reason of or the inability to use the machine for any purpose.

Warranty Claims

All warranty claims should firstly be directed to Altrad Belle, either by telephone, by Fax, by Email, or in writing.

For warranty claims:

Tel: +44 (0)1298 84606

Fax: +44 (0)1298 84073

Email : warranty.dept@altrad-belle.com

Write to:

Altrad Belle Warranty Department, Sheen, Nr. Buxton, Derbyshire, SK17 0EU England.

Warranty Registration:

In the bid for ALTRAD Belle to become greener and more eco friendly, we have now introduced online Warranty registration. To access the registration page of our website, please use the following address:-

http://www.bellegroup.com/index.php?p=warranty_registration

Alternatively, please scan the adjacent QR Code (Quick Response Code) using your smartphone to access the registration page.



Comment Utiliser Ce Manuel

F

Ce manuel est rédigé pour vous aider à vous servir et à entretenir la 'MPC 300' plaque de compactage en toute sécurité. Il est destiné aux concessionnaires et aux opérateurs de la 'MPC 300' plaque de compactage.

Avant-propos

La section '**Description de l'appareil**' vous permettra de vous familiariser avec l'agencement et les commandes de l'appareil.

La section '**Environnement**' contient des instructions sur les méthodes de recyclage et d'élimination des appareils dans le respect de l'environnement.

Les sections '**Consignes de sécurité générales**' et '**Santé et sécurité**' expliquent la manière dont il faut utiliser l'appareil pour assurer votre sécurité et celle des membres du public, en général.

La section '**Mode d'emploi**' vous aide avec la mise en place et l'utilisation de la machine

La section '**Dépistage des anomalies**' vous donne des conseils en cas de problèmes concernant votre appareil.

La section '**Entretien et révision**' vous donne des conseils sur l'entretien général et les révisions de votre appareil.

Renseignements concernant les notations utilisées dans ce manuel.

Dans ce manuel, il faut prêter une attention toute particulière au texte signalé comme suit :



ATTENTION

Produit à risque. Vous pouvez vous blesser ou la machine peut être endommagée si vous ne respectez pas la procédure d'utilisation à la lettre.



AVERTISSEMENT

Peut être dangereux pour l'utilisateur

AVERTISSEMENT

F



AVERTISSEMENT

Veillez lire et étudier ce manuel avant toute utilisation ou entretien de cet appareil.

SAVOIR utiliser les commandes de cet appareil et procéder à son entretien en toute sécurité.

(PS : Assurez-vous de savoir arrêter la machine avant de la démarrer au cas où vous auriez des problèmes).

TOUJOURS utiliser les éléments nécessaires à votre protection lors de l'utilisation de la machine.

Pour TOUTES QUESTIONS relatives à l'entretien et l'utilisation en toute sécurité de cet appareil, DEMANDER CONSEIL A VOTRE DIRECTION OU CONTACTER Altrad Belle :+44(0) 1298 84606

Sommaire

F

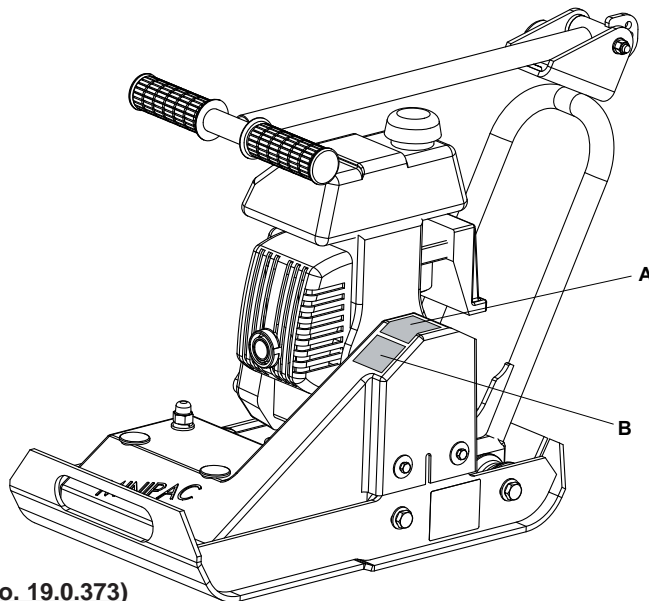
Comment Utiliser ce Manuel.....	13
Avertissement.....	13
Description de l'appareil.....	14
Caractéristiques Techniques.....	14
Etiquettes.....	15
Respect de l'environnement.....	15
Buts du Compactage.....	15
Consignes de Sécurité Générales.....	16
Santé et Sécurité.....	16
Contrôles de Sécurité Préalables au Démarrage.....	16
Mode d'emploi.....	17
Service & Maintenance.....	18
Guide de Dépistage des Anomalies.....	19
Garantie.....	19
Déclaration CE/UE de conformité.....	4

Altrad Belle se réserve le droit de changer la forme, l'équipement et la technique de la machine sans notification.

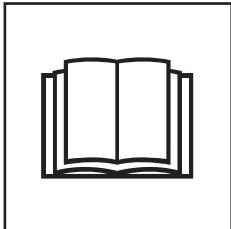
Etiquettes

F

- A. Décalcomanie Sécurité.
- B. Décalcomanie Bruit.



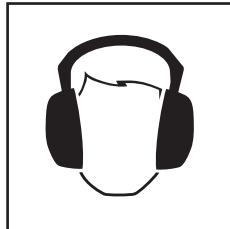
A - Décalcomanie Sécurité (Part No. 19.0.373)



Veillez lire le Manuel des Opérateurs



Portez des Chaussures de Protection



Portez des Protections pour les Oreilles



Portez des Protection pour les Yeux

B - Décalcomanie Bruit (800-99916)

Le Niveau de Bruit de la machine lors du fonctionnement est de 99 dB(A).

Respect de l'environnement

F

Elimination en toute sécurité.



Instructions pour le respect de l'environnement. Cet appareil contient des matériaux recyclables. Pour vous débarrasser de l'appareil, prière d'emmener l'appareil et les accessoires dans une décharge de recyclage agréé.

Composant	Material
Poignée	Acier
Poignées	Caoutchouc
Châssis Principal	Acier
Plaque d'embase	Acier
Balourd	Acier
Moteur à Essence Logement	Aluminium
Couvercles de Moteur à Essence	Matériel Synthétique
Autres Pièces	Acier et Aluminium

Buts du compactage

F

Après perturbation du sol, ou dans le cas d'un remplissage, d'une couche inférieure de la chaussée ou d'un revêtement hydrocarboné récents, il y aura des petits vides interstitiels ou poches d'air qui risquent de provoquer des problèmes s'ils ne sont pas compactés.

1. Lorsque le trafic traverse une surface sur une partie du sol non compactée, le matériau se comprime, ce qui cause l'affaissement de la surface supérieure au fur et à mesure que le matériau remplit les cavités.
2. C'est ce qui se passe également lorsque des charges statiques s'exercent sur un sol non compacté. La charge (un bâtiment, par exemple) s'enfonce.
3. Les matériaux présentant des vides sont très susceptibles aux infiltrations d'eau, ce qui entraîne des risques d'érosion. Les infiltrations d'eau peuvent également entraîner l'expansion du sol lorsqu'il gèle, ainsi que sa contraction pendant les périodes de sécheresse. En fait, l'expansion et la contraction du sol constituent les principales causes de dégâts des fondations des bâtiments. Il faut éventuellement reprendre la structure en sous-œuvre.

Le compactage augmente la densité du matériau et par conséquent, sa capacité porteuse. Il réduit les vides interstitiels et donc les risques d'affaissement, d'expansion et de contraction dus aux infiltrations d'eau.

Pour votre protection personnelle et pour la sécurité des personnes qui se trouvent à proximité, prière de lire et de bien assimiler les consignes de sécurité suivante. Il incombe à l'opérateur de s'assurer qu'il a bien assimilé la manière d'utiliser cet équipement en toute sécurité. En cas de doute sur l'utilisation correcte en toute sécurité de la plaque de compactage, prière de consulter votre responsable ou Altrad Belle.

**ATTENTION**

Un entretien mal fait ou une utilisation incorrecte risque d'être dangereux(se). Lisez et assimilez cette section avant d'effectuer des opérations d'entretien, de service ou des réparations.

- Ce matériel est lourd et ne doit pas être soulevé par une seule personne. OBTENEZ DE L'AIDE ou utilisez un équipement de levage approprié.
- Balisez la zone de travail et éloignez les membres du public et tout le personnel non autorisé à une distance sûre.
- Il est impératif que l'opérateur porte un équipement de protection individuelle à chaque fois qu'il utilise cet appareil (voir "Santé et sécurité").
- Vérifiez que vous savez comment couper cet appareil avant de le mettre en marche, en cas de difficultés.
- Il faut toujours COUPER le moteur avant de le transporter, de le déplacer ou avant toute intervention.
- Le moteur peut devenir très chaud en cours d'usage. Attendez que le moteur soit refroidi avant de le toucher. Ne laissez jamais le moteur tourner sans surveillance.
- Il ne faut jamais retirer ni modifier les capots de protection installés. Ils sont prévus pour votre protection. Il faut toujours vérifier que les capots sont en bon état et sont bien fixés. Si l'un des capots est endommagé ou manquant, IL NE FAUT PAS UTILISER LE COMPACTEUR tant que le capot n'est pas remis en place ou réparé. Il ne faut pas faire fonctionner le compacteur si vous ne vous sentez pas bien, si vous êtes fatigué ou si vous avez abusé d'alcool ou de stupéfiants.

Consignes de sécurité concernant le carburant.**ATTENTION**

Le carburant est inflammable. Il risque de causer des blessures et des dégâts. Coupez le moteur, éteignez toutes les flammes nues et ne fumez pas pendant le remplissage du réservoir de carburant. Essayez toujours tout carburant renversé.

- Avant de faire l'appoint de carburant, coupez le moteur et attendez qu'il ait refroidi.
- Pendant le remplissage, il NE FAUT ni fumer ni autoriser les flammes nues dans cette zone.
- Il faut toujours sécuriser immédiatement avec du sable tout déversement de carburant. Si du carburant s'est renversé sur vos vêtements, il faut vous changer.
- Entreposez le carburant dans un récipient prévu pour cela et agréé, à l'écart de la chaleur et de toutes sources de combustion

Vibrations

Une partie des vibrations provoquées par le compactage est transmise par le guidon aux mains de l'opérateur. La gamme de plaques de compactage Errut est spécialement conçue pour réduire les niveaux de vibrations dans les mains/bras. Reportez-vous aux caractéristiques et aux spécifications pour établir le niveau des vibrations et les durées d'utilisation (durée d'exposition quotidienne maximale recommandée). Il NE FAUT PAS dépasser la durée d'utilisation maximale.

EPI (Equipement de protection individuelle).

Lors de l'utilisation de cet appareil, il est impératif de porter un EPI approprié (ex. lunettes de protection, gants de protection, casque antibruit et chaussures à embout d'acier). Il faut porter des vêtements adaptés au travail. Attachez les cheveux longs pour les dégager et ne portez pas de bijoux susceptibles de s'accrocher aux pièces mobiles de l'appareil.

Poussière.

Le procédé de compactage produit éventuellement de la poussière qui risque d'être nocive pour la santé. Il faut toujours porter un masque approprié au type de poussière produite.

Carburant.

Il ne faut pas avaler ni inhaler les vapeurs de carburant, et il faut éviter tout contact avec la peau. Lavez immédiatement les éclaboussures de carburant. En cas d'éclaboussures de carburant dans les yeux, il faut les rincer à grande eau et consulter un médecin dès que possible.

Fumées d'échappement

Il ne faut pas faire fonctionner la plaque de compactage à l'intérieur ou dans un espace confiné. Veillez à travailler dans un local suffisamment ventilé.

**AVERTISSEMENT**

Les gaz d'échappement de cet appareil sont très toxiques et peuvent entraîner la mort !

Inspection préalable au démarrage

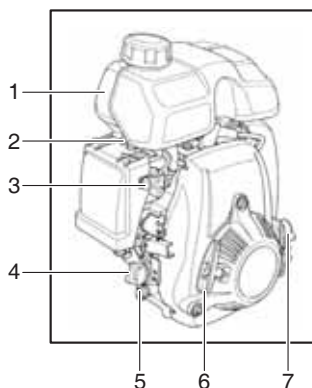
Il faut effectuer l'inspection suivante préalable au démarrage avant le début de chaque séance de travail, ou toutes les quatre heures d'utilisation, selon ce qui est échu en premier. Pour des instructions détaillées, veuillez-vous reporter à la section «Révision». Si des défauts sont repérés, il ne faut pas utiliser la plaque de compactage tant que ce défaut n'a pas été rectifié.

1. Inspectez soigneusement le «MPC300» pour des signes de dommages. Assurez-vous que le garde courroie est sécurisé avant d'utiliser la machine.
2. Vérifier les tuyaux, les ouvertures de remplissage, bouchons de vidange et toutes les autres zones des signes de fuite. Réparer toute fuite avant d'utiliser.
3. Vérifiez le niveau d'huile moteur et faites l'appoint, le cas échéant.
4. Vérifiez le niveau de carburant du moteur et faites l'appoint, le cas échéant.
5. Vérifiez qu'il n'y a pas de fuites de carburant ni d'huile.



AVERTISSEMENT

Veillez lire et étudier ce manuel avant toute utilisation ou entretien de cet appareil.



Honda GXH50

1. Réservoir à carburant,
2. Levier de starter,
3. Levier Ouverture / Coupure de carburant,
4. Jauge de remplissage / niveau d'huile moteur,
5. Bouchon de vidange d'huile moteur,
6. Manette de démarreur à rappel,
7. Interrupteur de Marche / Arrêt du moteur



ATTENTION

*Le RPM optimal du moteur a été pré-réglé à l'usine; **NE PAS** ajuster la position de l'accélérateur. Le non-respect peut entraîner des dommages ou la garantie du produit étant annulée.*

Arrêt du moteur

1. Tourner l'interrupteur de marche / Arrêt du moteur dans le sens inverse des aiguilles d'une montre vers la position « 0 ».
2. Fermer l'arrivée d'essence.

Démarrer le moteur

1. Pour ouvrir le robinet d'essence, déplacez le levier Ouverture/Coupure de carburant à fond vers la droite.
2. Si le moteur démarre à froid, mettez le starter amenant le levier de starter à fond vers la droite. Si le moteur redémarre à chaud, il n'est généralement pas nécessaire d'utiliser le starter, mais si le moteur s'est refroidi dans une certaine mesure, il peut s'avérer nécessaire de mettre partiellement le starter.
3. Tourner le bouton MARCHE/ARRET du moteur dans le sens des aiguilles d'une montre pour l'amener à la position « I ».
4. Pour mettre le papillon à la position de ralenti, déplacez le levier de papillon à fond vers la gauche. Prenez fermement la manette de commande d'une main et saisissez la manette du démarreur à rappel de l'autre.
5. Tirez le démarreur à rappel jusqu'à ce que vous ressentiez une résistance du moteur, puis laissez le démarreur revenir en place.
6. En faisant attention à ne pas tirer complètement le cordon du démarreur, tirez vivement la manette du démarreur.
7. Recommencez cette manoeuvre à plusieurs reprises jusqu'à ce que le moteur tourne. NOTE: Une fois que le moteur tire elle se déroulera sur son régime moteur prédéfini.
8. Si le levier de starter a été déplacé vers la position fermée pour le début du moteur, passer progressivement à la position OUVERT à mesure que le moteur chauffe
9. Si au bout de plusieurs tentatives, le moteur ne tourne toujours pas, reportez-vous au guide de dépiage des anomalies.

- **Amenez la 'MPC 300' sur le lieu où elle doit fonctionner..**

NE JAMAIS laisser le moteur en marche tout en déplaçant ou le transport du 'MPC300', même si elle est seulement une courte distance.

- **Après avoir effectué les contrôles figurant à la section "Contrôle préalable au démarrage", vous pouvez mettre le moteur en route.**

NOTE: - Une fois que la machine a été lancée, le 'MPC300' devrait commencer vibrer et donc la machine sera également se déplacer dans une direction vers l'avant. Toujours vérifier la machine pour des bruits inhabituels. Si un de ces symptômes, arrêtez immédiatement la machine et se référer à la section de dépannage.

- **Utilisez la poignée de commande pour diriger ou tourner le 'MPC300'.**

Le vibreur provoque non seulement des vibrations de la plaque d'embase, mais aussi l'avancement de l'appareil. En fonctionnement normal, vous n'avez pas à pousser la plaque de compactage ; il suffit de le laisser se déplacer tout seul à son propre rythme.

La vitesse de déplacement est déterminée par l'état de la surface à compacter.

Si la surface à compacter est en pente, il faut agir avec beaucoup de précaution pour bien contrôler le sens de déplacement de la plaque de compactage. Pour faire un travail en pente, montez et descendez la pente, mais ne travaillez pas en travers.

- **Faites passer la plaque de compactage sur toute la surface selon un schéma logique jusqu'à obtention du compactage requis.**

Lorsqu'il y a un certain nombre de différentes couches à compacter les uns sur les autres, chaque couche individuellement compact.

Maintenance

La gamme 'MPC 300' de plaque de compactage unidirectionnelle Altrad Belle est conçue pour donner de nombreuses années de services sans problèmes. Il est recommandé de s'adresser à un concessionnaire agréé Altrad Belle pour effectuer toutes les opérations d'entretien importantes et toutes les réparations éventuelles. Il faut toujours utiliser des pièces d'origine Altrad Belle. L'utilisation de pièces de marque autre que la marque Altrad Belle risque d'annuler votre garantie.

Avant d'effectuer des opérations d'entretien sur l'appareil, coupez le moteur. S'il s'agit d'un appareil à moteur à essence, débranchez le fil HT de la bougie.

Il faut placer le 'MPC 300' sur un sol plat et horizontal afin d'obtenir une lecture exacte des niveaux des liquides. Utilisez uniquement les huiles préconisées (voir graphique ci-)

Rodage

Lorsqu'un compacteur neuf est utilisé pour la première fois, il faut vidanger l'huile moteur après la période de rodage initial (pour de plus amples renseignements, voir manuel du moteur). Il faut vérifier la tension de la courroie toutes les 4 heures d'utilisation. Si de nouvelles ceintures ont été installés, la tension de la courroie doit être vérifié après 30 minutes.

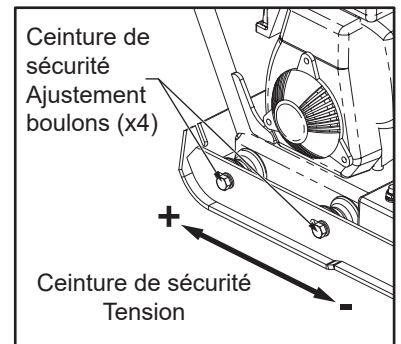
Fréquence d'entretien		Premier 4 Heures	Premier Mois / 20 Heures	3 Mois / 50 Heures	6 Mois / 100 Heures
Huile Moteur	Vérifier le niveau	✓			
	Vidanger		✓		✓
Filtre à air	Vérifier l'état		✓		✓
	Nettoyer / Vidanger			✓	
Bougie	Vidanger				✓
Courroie d'entraînement	Tension	✓	✓	✓	

Courroie d'entraînement

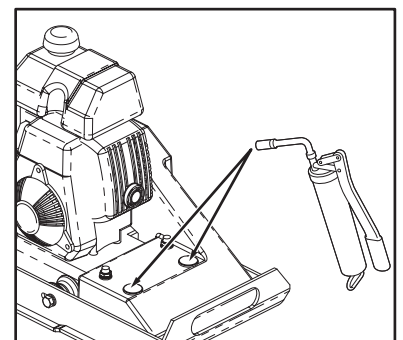
Retirez le capot de protection de la courroie, puis vérifiez la tension. Pour cela, exercez une légère pression du doigt sur le dessus de la courroie, approximativement à mi-chemin entre la poulie d'entraînement du moteur et la poulie du vibreur. La courroie doit présenter une flèche variant de 5mm.

S'il faut régler la tension, desserrez suffisamment les quatre boulons des montants moteur pour pouvoir déplacer le moteur. Ajuster la position du moteur en faisant coulisser l'ensemble moteur avant ou en arrière sur la plaque de base. Une fois réglée, resserrez les boulons d'ajustement de la courroie d'entraînement et de re-vérifier la tension de la courroie.

Vérifiez l'alignement des poulies. Si l'alignement est incorrect, desserrer les buissons de Taperlock et déplacer la poulie en fonction. Une fois la poulie est alignée, resserrez les buissons de Taperlock. Remplacez le carter de courroie assurant qu'il est correctement et solidement fixé.

**Unité de Vibration.**

Retirez les bouchons d'accès (x2) de la protection de la courroie. Compléter si nécessaire avec la graisse appropriée.

**Type et quantité d'huile/de carburant - Type de bougie**

	Type d'huile	Quantité (Litres)	Type de Carburant	Capacité (Litres)	Type de Bougie	Entrefer d'électrode (mm)
Moteur à essence Honda GXH50	S.A.E. 10W 30	0.25	Sans Plomb	1.2	BM4a or BmR4a	0.6 - 0.7

Problème	Cause	Action
Le moteur ne démarre pas.	Pas de carburant.	Ouvrir le robinet de carburant. Remplir le réservoir de carburant.
	Moteur coupé.	Mettre le contact.
	Bougie encrassée.	Nettoyer, puis régler l'entrefer de la bougie.
	Moteur froid.	Fermer le starter.
	Moteur noyé.	Honda, ouvrir le starter, pleins gaz, tirer le démarreur à rappel jusqu'au lancement du moteur.
Le moteur ne démarre toujours pas	Défaut Majeur	Contacteur le technicien de service local.
	Courroie d'entraînement détendue.	Régler la tension de la courroie.
	Filtre à air colmaté.	Nettoyer ou remplacer le filtre à air.
	Panne du vibrateur.	Contacteur le technicien de service local.
Asphalte adhère à la plaque.	Manque de lubrification.	Utiliser le système d'arrosage à l'eau.
Blocs de pavage endommagés.	Plaque en contact direct avec le matériau.	Avec ce matériau, utiliser un tampon pour pavés.
Ecaillage de la surface bitumineuse (feuilleage).	Surcompactage.	La retirer et la reposer.
Faible vitesse d'avancement (enfouissement de plaque)	Epaisseur de couche trop grande.	Retirer une partie du matériau.
	Teneur en humidité trop haute ou trop faible.	Retirer le matériau et ajuster la teneur.

Garantie

La plaque de compactage unidirectionnelle MPC 300 neuve de Altrad Belle est garantie à l'acquéreur d'origine un an (12 mois) à partir de la date originale de l'achat. La garantie Altrad Belle s'applique à tous défauts de matériaux ou à un vice de conception ou de fabrication.

La garantie Altrad Belle ne couvre pas ce qui suit :

- Dégâts causés par un usage abusif, négligent, une chute ou tous autres dégâts similaires causés par le non-respect des instructions concernant l'assemblage, l'utilisation ou les opérations d'entretien à effectuer par l'utilisateur, ou résultant de celle-ci.
- Toutes modifications, additions ou réparations effectuées par des personnes autres que les responsables de Altrad Belle ou ses agents agréés.
- Les frais de transport ou d'expédition pour retourner l'appareil à Altrad Belle, ou ses agents agréés, et le renvoyer, en vue de le faire réparer ou évaluer après revendication sous garantie.
- Les coûts des matériaux et/ou de la main-d'œuvre requis pour remplacer, réparer ou renouveler les composants en raison d'une usure raisonnable.

Sont exclus de la garantie les composants suivants :

- Courroie(s) d'entraînement
- Filtre à air de moteur
- Bougie de moteur

Altrad Belle et/ou ses agents agréés, directeurs, employés ou assureurs ne sont pas tenus responsables de tous dégâts consécutifs ou autres, pertes ou dépenses encourus en relation avec l'utilisation de l'appareil, ou l'incapacité d'utiliser l'appareil dans un but quel qu'il soit.

Réclamations sous garantie

Il faut tout d'abord adresser toutes réclamations sous garantie à Altrad Belle par téléphone, fax, e-mail ou par courrier.

Pour les revendications sous garantie:

Tél : +44(0)1298 84606

Fax : +44(0)1298 84073

Email : warranty.dept@altrad-belle.com

Prière d'écrire à:

Altrad Belle Warranty Department, Sheen, Nr. Buxton, Derbyshire, SK17 0EU, Angleterre

Service d'enregistrement de garantie

Dans notre démarche pour devenir plus vert et plus respectueux de l'environnement, Altrad Belle a introduit un service d'enregistrement de garantie en ligne. Pour accéder à la page d'inscription sur notre site internet, veuillez utiliser l'adresse suivante:

http://www.bellegroup.com/index.php?p=warranty_registration

Sinon vous pouvez également scanner à l'aide de votre smartphone le code QR adjacent pour accéder à la page d'inscription.



In deze handleiding leest u hoe u de trilplaat veilig kunt bedienen en onderhouden. De handleiding is bedoeld voor de dealers en operators van deze machine.

Voorwoord

Aan de hand van de informatie in de paragraaf '**Machinebeschrijving**' raakt u vertrouwd met het ontwerp en de regelaars van de machine.

In de paragraaf '**Milieu**' worden aanwijzingen gegeven voor het milieuvriendelijk recyclen van een afgedankte machine.

In de paragrafen '**Algemene veiligheid**' en '**Gezondheid en veiligheid**' vindt u de gebruiksvorschriften voor de machine met het oog op uw eigen veiligheid en die van anderen.

De sectie '**Bedieningsinstructies**' helpt u met het opzetten en het gebruik van de machine.

Onder '**Foutopsporing**' worden oplossingen gegeven voor eventuele problemen met de machine.

In de paragraaf '**Onderhoud**' wordt het algemene onderhoud van de machine beschreven.

Richtlijnen met betrekking tot de tekstweergave.

Passages in deze handleiding die om extra aandacht vragen, worden als volgt weergegeven:



VOORZICHTIG

Volg de gebruiksvorschriften nauwlettend op ter voorkoming van onveilige situaties, persoonlijk letsel en schade aan de machine.



WAARSCHUWING

Niet-naleving van de gebruiksvorschriften kan tot gevaarlijke situaties leiden.

WAARSCHUWING



WAARSCHUWING

*Voordat u met deze machine gaat werken of er enig onderhoud aan gaat uitvoeren, moet u eerst deze handleiding **AANDACHTIG DOORLEZEN**.*

Zorg dat u vertrouwd bent met de machineregelaars en lees hoe u de machine veilig kunt onderhouden.

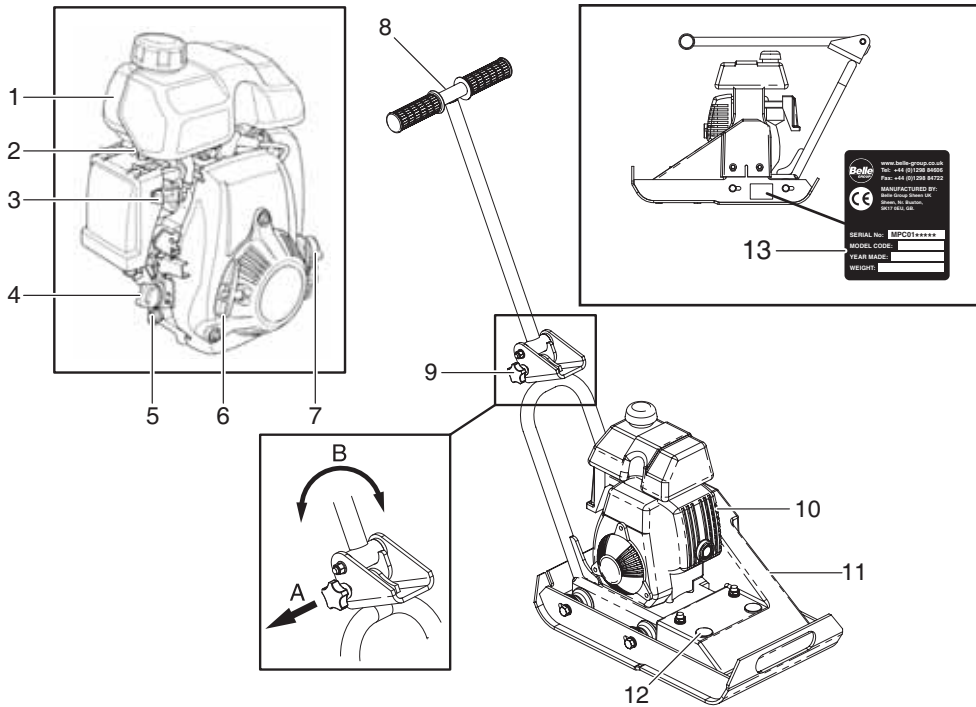
(N.B.: zorg, in verband met noodsituaties, dat u weet hoe u de machine moet uitzetten alvorens deze in te schakelen.)

Draag altijd geschikte veiligheidskleding. Mocht u vragen hebben over de gebruiksen onderhoudsvorschriften voor deze machine, neem dan contact op met uw opzichter of met Altrad Belle. (+44 (0)1298 84606).

Inhoud

Gebruik van Deze Handleiding	20
Waarschuwing	20
Machinebeschrijving	21
Technische Gegevens	21
Stickertjes	22
Milieu	22
Waarom Verdichten?	22
Algemene Veiligheid	23
Gezondheid en Veiligheid	23
Veiligheidscontroles vóór het Opstarten	23
Bedieningsinstructies	24
Onderhoud	25
Foutopsporing	26
Garantie	26
EG Verklaring van overeenstemming	5

Machinebeschrijving



1. Brandstoftank,
2. Chokehendel,
3. Brandstoetoevoerhendel,
4. Motorolievulleiding / peilstok,
5. Motorolieaftapplug,
6. Repeteerstarter,
7. Motor-aan-uit-schakelaar,
8. Bedieningshendel,
9. Bedieningshendel vergrendelknop,
10. Uitlaat,
11. Riembeschermkap,
12. Vibrator Smeren toegangspunt,
13. Serienummerlabel



VOORZICHTIG

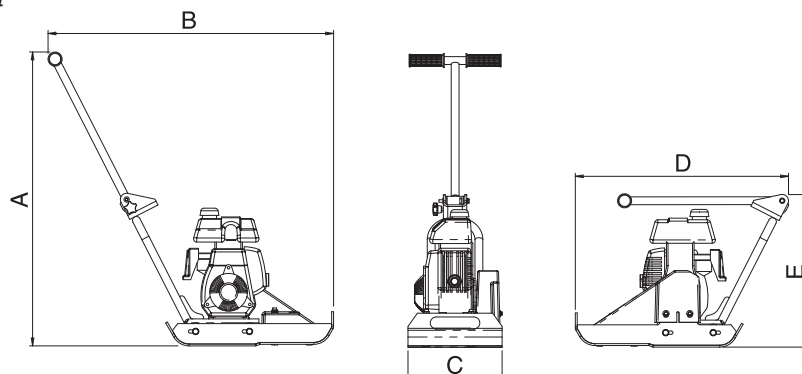
De optimale motortoerental is vooraf in de fabriek; DO de stand van het gaspedaal niet aanpassen. Niet-naleving kan leiden tot schade of de garantie ongeldig wordt.

Technische Gegevens

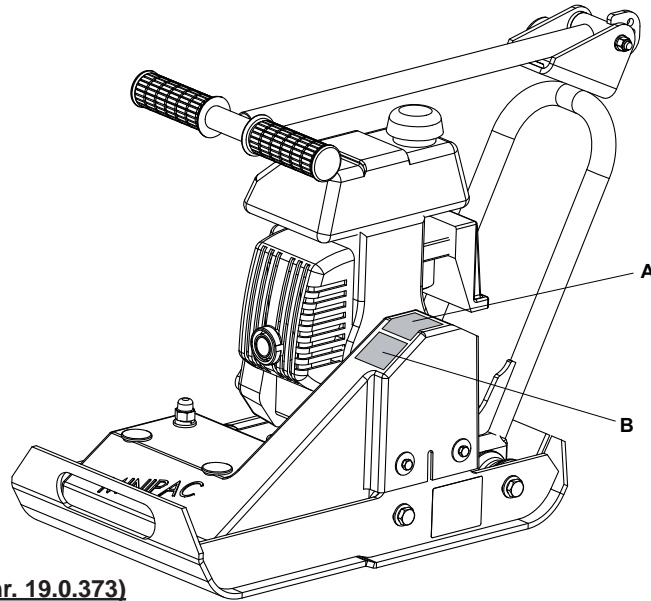


Model	MPC 300
A - Hoogte (Maximum) - Operatie (mm)	937
B - Lengte (Maximum) - Operatie (mm)	1073
C - Breedte (mm)	300
D - Lengte - Opslagruimte (mm)	707
E - Hoogte - Opslagruimte (mm)	491
Motor	Honda GXH50
Motor Vermogen (Hp/kW)	2.5/1.8 @ 3800rpm
Gewicht (kg)	32.5
Kracht van trilelement (kN)	3.25
Frequentie (Hz)	80
Maximumloopsnelheid (m/min)	12.9
Verdichting Kracht (kg/m ²)	556
Driestrailling* (m/sec ²)	7.11
Gebruiksduur (min)	60
Gemeten Geluidssterkteniveau (LWA)	99 dB(A)

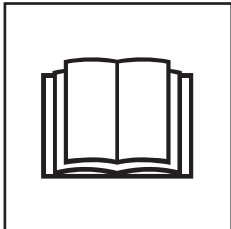
* Minimum level to EN500 Part 4



- A. Veiligheidssticker.
B. Geluidssticker.



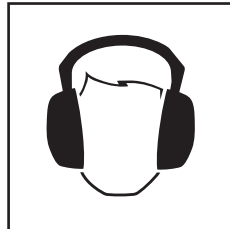
A - Veiligheidssticker (Onderdeelnr. 19.0.373)



Lees de bedieningshandleiding



Draag beschermend schoeisel.



Draag oorbescherming.



Draag oogbescherming.

B - Geluidssticker (800-99916)

Het geluidsniveau van de machine gedurende de werking is 99 dB(A)

Veilig afdanken.



Aanwijzingen ter bescherming van het milieu.
De machine bevat waardevolle materialen.
Breng de afgedankte machine en accessoires naar het aangewezen recyclingbedrijf.

Onderdeel	Materiaal
Hendel	Staal
Handgrepen	Rubber
Hoofdframe	Staal
Vloerplaat	Staal
Excentrieke Gewicht	Staal
Benzine Motor Huisvesting	Aluminium
Benzinemotor dekking	Kunststof
Diverse Onderdelen	Staal & Aluminium

Bewerkte grond, nieuw opvulsel, een nieuwe funderingslaag en nieuw asfalt vertonen kleine holten of luchtzakjes die, indien ze niet worden verdicht, tot problemen leiden.

1. Het verkeer dat over het oppervlak van een niet verdicht gebied rijdt, zorgt ervoor dat het materiaal wordt samengedrukt. Hierdoor worden de holten opgevuld en zakt de bovenlaag weg.
2. Een soortgelijke situatie doet zich voor bij statische belasting van niet verdichte grond; de belasting (bv. een gebouw) zal inzakken.
3. Materiaal dat holten vertoont, is meer onderhevig aan insijpelend water, met erosie als gevolg. Indringend water kan er bovendien toe leiden dat de grond bij vorst uitzet en tijdens droge perioden samentrekt. Uitzetting en samentrekking zijn een belangrijke oorzaak van schade aan de fundering van gebouwen. Het gevolg is doorgaans dat de fundamente van dergelijke gebouwen moeten worden verstevigd.

Door verdichting krijgt het materiaal een hogere dichtheid, waardoor de draagcapaciteit wordt vergroot. Het materiaal vertoont minder luchtholten, waardoor het risico van inzakking, uitzetting en samentrekking als gevolg van indringend water afneemt.

Algemene veiligheid



Lees voor uw eigen veiligheid en die van anderen de volgende informatie aandachtig door. De operator moet ervoor zorgen dat hij volledig vertrouwd is met de gebruiksvorschriften voor deze machine. Mocht u vragen hebben over deze gebruiksvorschriften, neem dan contact op met uw opzichter of met Altrad Belle.



VOORZICHTIG

Verkeerd gebruik of onderhoud kan gevaarlijk zijn. Zorg dat u vertrouwd bent met de inhoud van deze paragraaf voordat u onderhouds- of reparatiewerkzaamheden uitvoert.

- Til de machine vanwege het gewicht niet alleen op. Zorg voor hulp of maak gebruik van geschikte hijsapparatuur.
- Zet de werkplek af en houd onbevoegden op veilige afstand.
- Draag bij gebruik van deze machine altijd veiligheidskleding (zie Gezondheid en veiligheid).
- Zorg, in verband met noodsituaties, dat u weet hoe u de machine veilig kunt uitzetten alvorens deze in te schakelen.
- Zet de motor altijd uit alvorens de machine te vervoeren, te onderhouden of op de werkplek te verplaatsen.
- Als de motor draait, wordt deze zeer heet. Raak de motor niet aan voordat deze is afgekoeld.
- Laat de motor nooit onbeheerd draaien.
- De beschermkappen zijn aangebracht voor uw veiligheid en mogen nooit worden verwijderd of aangepast.
- Controleer altijd of de beschermkappen in goede staat verkeren. Laat eventuele beschadigde of ontbrekende beschermkappen vervangen of repareren alvorens de trilplaat in gebruik te nemen.
- Werk nooit met de trilplaat als u zich ziek of moe voelt of als u onder invloed bent van alcohol of medicijnen.

Veiligheid inzake brandstof.



VOORZICHTIG

Brandstof is brandbaar en kan persoonlijk letsel of schade aan apparatuur veroorzaken. Zet alvorens de brandstoftank te vullen de motor uit en doof eventuele open vlammen. Rook nooit tijdens het vullen en veeg eventueel gemorste brandstof altijd op.

- Zet de motor vóór het vullen uit en laat deze afkoelen.
- Doof open vlammen en rook nooit tijdens het vullen.
- Bestrooi gemorste brandstof onmiddellijk met zand en trek bevelde kleding uit.
- Bewaar brandstof in een daarvoor bestemde, goedgekeurde container en plaats deze nooit in de buurt van warmte- of ontstekingsbronnen.

Gezondheid en veiligheid



Trilling

Bij het bedienen van de trilplaat ondervindt de operator via de hendel enige trilling in de handen. Door het specifieke ontwerp van de trilplaten van Errut wordt trilling in handen en armen gereduceerd. Zie specificaties en technische gegevens voor trillingniveaus en gebruiksduur (aanbevolen maximale dagelijkse blootstellingstijd). De maximumgebruiksduur mag niet worden overschreden.

Veiligheidskleding.

Draag bij gebruik van de machine geschikte veiligheidskleding (veiligheidsbril, handschoenen, oorbeschermers, stofmasker, en schoenen met stalen neus). Draag kleding die geschikt is voor de werkzaamheden. Bind lang haar samen en draag geen sieraden die in de bewegende onderdelen van de machine verstrikt kunnen raken.

Stof.

Tijdens het verdichten kan stof vrijkomen, wat schadelijk kan zijn voor uw gezondheid. Draag daarom altijd een stofmasker dat geschikt is voor het type stof dat vrijkomt.

Brandstof.

Adem geen brandstofdampen in en vermijd aanraking met de huid. Was brandstovlekken onmiddellijk uit. Bij aanraking met de ogen met veel water uitspoelen en zo snel mogelijk een arts waarschuwen.

Uitlaatgassen

Gebruik de trilplaat niet binnenshuis of in een besloten ruimte en zorg voor voldoende ventilatie op de werkplek.



VOORZICHTIG

De uitlaatgassen van deze machine zijn uiterst giftig en kunnen dodelijk zijn!

Veiligheidscontroles vóór het opstarten



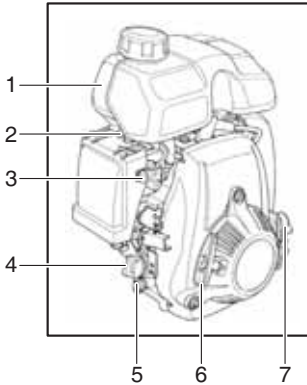
Inspectie vóór het opstarten

Voer aan het begin van elke werkperiode of na elke vier bedrijfsuren (als de werkperiode langer duurt) de volgende inspectie uit. Zie de paragraaf Onderhoud voor meer informatie. Werk bij constatering van een storing niet met de machine totdat de storing is verholpen.

1. Inspecteer de 'MPC300' op tekenen van beschadiging. Zorg ervoor dat de gordel bewaker veilig is voor het gebruik van de machine.
2. Controleer slangen, vulopeningen, aftappluggen en alle andere gebieden op tekenen van lekkage. Herstel van eventuele lekken voordat u.
3. Controleer het motoroliepeil en vul zo nodig olie bij.
4. Controleer het motorbrandstofniveau en vul zo nodig brandstof bij.
5. Controleer op brandstof- en olielekken.

**WAARSCHUWING**

Voordat u met deze machine gaat werken of er enig onderhoud aan gaat uitvoeren, moet u eerst deze handleiding **AANDACHTIG DOORLEZEN**.

**Honda GXH50**

1. Brandstoftank,
2. Choke,
3. Brandstof ON/OFF hendel,
4. Vulopening /Peilstok Motorolie,
5. Gashendel,
6. Automatische Starthendel,
7. Motor ON/OFF Schakelaar

**VOORZICHTIG**

De optimale motortoerental is vooraf in de fabriek; DO de stand van het gaspedaal niet aanpassen. Niet-naleving kan leiden tot schade of de garantie ongeldig wordt.

De motor uitschakelen

1. Draai de ON / OFF -schakelaar van de motor linksom in de '0'-stand.
2. Sluit de brandstoftoevoer.

De motor starten

1. Draai de brandstofkraan open door de ON / OFF -brandstoffhendel helemaal naar rechts te draaien.
2. Wanneer de motor koud is, schakelt u de choke IN door de hendel van de choke helemaal naar rechts te verzetten. Wanneer u een warme motor opnieuw opstart is het gebruik van de choke normaalgesproken niet nodig; indien de motor echter enigszins is afgekoeld kan het nodig zijn de choke gedeeltelijk te gebruiken.
3. Draai de ON / OFF -schakelaar van de motor rechtsom in de 'I'- positie.
4. Zet de gashendel in de vrijloopstand door de hendel helemaal naar beneden te bewegen.
5. Grijp de handgreep van de machine goed met één hand vast en pak de automatische starthendel met de andere. Trek aan de starter totdat u de weerstand van de motor voelt, laat het startkoord zich dan weer oprollen.
6. Zorg ervoor dat u het startkoord er niet helemaal uittrekt en geef er een korte ruk aan.
7. Herhaal tot de motor aanslaat. OPMERKING: Zodra de motor aanslaat zal draaien op het ingestelde toerental.
8. Indien de choke werd verplaatst naar de GESLOTEN positie naar de start van de motor, geleidelijk verplaatsen naar de OPEN positie als de motor opwarmt.
9. Wanneer de motor na verschillende pogingen niet aanslaat, volg dan de adviezen van de "handleiding probleemoplossing" op.

- **Vervoer de trilplaat naar de gewenste plaats.**

NOOIT Laat de motor draaien, terwijl het verplaatsen of transporteren van de 'MPC300', ook al is het slechts een korte afstand.

- **Nadat u de controles in de paragraaf 'Veiligheidscontroles vóór het opstarten' hebt uitgevoerd, kunt u de motor starten.**

- Opmerking: - Wanneer de machine gestart is, de 'MPC300' moet gaan trillen en dus de machine zal bewegen in een voorwaartse richting. Controleer de machine altijd op ongewone geluiden. Als een van deze zich voordoet, stop de machine onmiddellijk en raadpleeg de sectie Problemen oplossen.

- **Gebruik de joystick om te sturen of draai de 'MPC300'.**

- Het trilelement zorgt ervoor dat de vloerplaat gaat trillen en dat deze wordt voortbewogen. Bij normaal gebruik hoeft u de trilplaat niet te duwen, maar kunt u deze in zijn eigen tempo laten lopen.
- De loopsnelheid is afhankelijk van de toestand van de te verdichten ondergrond.
- Als de te verdichten ondergrond zich op een helling bevindt, bestuur de trilplaat dan uiterst voorzichtig. Werk uitsluitend in de lengterichting van een helling, nooit van zijkant naar zijkant.
- **Leid de trilplaat in een vast patroon over de ondergrond totdat deze voldoende is verdicht.**
- Wanneer er verschillende lagen te verdichten boven elkaar compact elke laag afzonderlijk.

Onderhoudswerkzaamheden

De eenrichtingstrilplaten in het 'MPC300'-assortiment van Altrad Belle staan garant voor een jarenlange probleemloze werking. Laat grote onderhouds- en reparatiewerkzaamheden bij voorkeur uitvoeren door een erkende Altrad Belle-dealer. Maak altijd gebruik van originele Errutvervangingsonderdelen; bij gebruik van niet-originele onderdelen kan de garantie vervallen.

Zet de motor uit alvorens onderhoudswerkzaamheden te verrichten. Trek bij werkzaamheden aan een machine met benzinemotor de bougiekabel los.

Plaats de trilplaat altijd op een egale ondergrond, zodat de vloeistofniveaus correct kunnen worden afgelezen. Gebruik uitsluitend aanbevolen olietypen (zie onderstaande grafiek).

Inlooperperiode

Als de trilplaat voor het eerst wordt gebruikt, moet de motorolie na de initiële inlooperperiode worden verversd (zie motorhandleiding voor meer informatie). Controleer de riemspanning na vier bedrijfsuren. Als nieuwe riemen zijn aangebracht, moet de riemspanning worden gecontroleerd na 30 minuten.

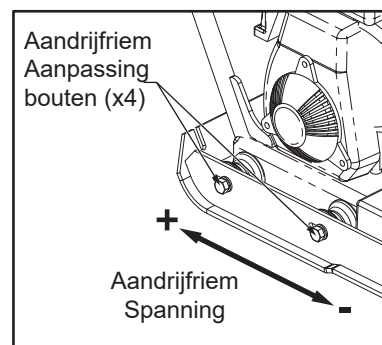
Routineonderhoud		Elke 4 Uur	Eerste mnd / 20 Uur	3 Mnd / 50 Uur	6 Mnd / 100 Uur
Motorolie	Peil Controleren	✓			
	Verversen		✓		✓
Luchtfiler	Staat Controleren		✓		✓
	Reinigen / Verversen			✓	
Bougie	Verversen				✓
Aandrijfriem	Spanning	✓	✓	✓	

Aandrijfriem

Verwijder de riembescherming en controleer de riemspanning door het plaatsen van lichte vingerdruk op de bovenkant van de band, zoals in de buurt van de centrale tussen de motor aandrijving en aangedreven poelie. De band moet buigen door ongeveer 5 mm.

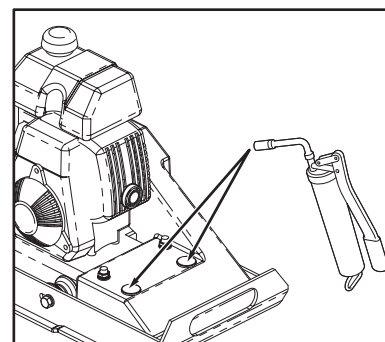
Als de riemspanning moet worden bijgesteld, maak de vier aandrijfriem stelbouten genoeg om de motor te worden verplaatst. Pas de positie van de motor door vooruit of achteruit schuiven van de motor montage op de bodemplaat. Eenmaal ingesteld, draai de aandrijfriem aanpassing bouten en opnieuw controleren van de riemspanning.

Controleer de poelie uitlijning. Als de uitlijning niet correct is, draait u de taperlock struiken en verplaats de katrol aan te passen. Zodra de poelie is uitgelijnd, draai de taperlock struiken. Vervang de riembescherming te zorgen dat het correct en veilig gemonteerd.



Vibrator Behuizing

Verwijder de toegang pluggen (x2) van de band te bewaken. Vul zo nodig met de geschikte vet.



Olie- / brandstoftype en hoeveelheid - Bougietype

	Olietype	Hoeveel	Brandstoftype	Inhoud	Bougietype	Elektroden -afstand (mm)
Benzine Motor Honda GXH50	S.A.E. 10W 30	0.25l	Ongelood	1.2l	BM4a or Bm-R4a	0.6 - 0.7

Probleem	Oorzaak	Oplossing
Motor no arranca.	Geen brandstof.	Zet brandstoftoevoer open Vul brandstoftank.
	Motor staat uit	Zet motor aan.
	Vuile bougie elektrodanafstand opnieuw af.	Reinig bougie en stel.
	Motor is koud.	Zet choke uit.
	Motor is verzopen.	Honda zet choke open, zet gasklep volledig open, trek aan repeteerstarter totdat motor aanslaat.
Motor nog steeds niet gestart.	Grote Fout	Neem contact op me plaatselijke serviceagent.
Unit zal niet trillen.	Spanning aandrijfriem te laag	Stel riemspanning af.
	Luchtfilter verstopt.	Reinig of vervang luchtfilter.
	Storing van trilelement.	Neem contact op met plaatselijke serviceagent.
Asfalt kleeft aan plaat.	Onvoldoende smering.	Gebruik een waterinstallatie.
Plaveiblokken beschadigd	Plaat in direct contact met materiaal	Gebruik een kunststof onderplaat
Bitumineus oppervlak scheurt (spleet in lagen)	Oververdichting.	Oppervlak verwijder en opnieuw leggen.
Lage loopsnelheid (Platz zak in)	Laagdikte te diep.	Verwijder een deel van het materiaal.
	Vochtgehalte te hoog of te laag.	Materiaal verwijderen en aanpassen.

Op deze 'MPC 300'-eenrichtingstrilplaat van Altrad Belle wordt garantie verleend aan de oorspronkelijke koper gedurende een periode van één jaar (12 maanden) vanaf de oorspronkelijke datum van aankoop. De garantie van Altrad Belle is geldig in geval van ontwerp-, materiaal- en fabrieksfouten.

Het volgende valt niet onder de garantie van Altrad Belle:

- Schade als gevolg van misbruik, verkeerd gebruik, het vallen van de machine, en andere soortgelijke schade als gevolg van het niet opvolgen van de montage-, bedienings- en onderhoudsinstructies.
- Aanpassingen, montage van extra onderdelen of reparaties door anderen dan Altrad Belle of diens erkende agenten.
- De kosten van transport- en vervoer van en naar Altrad Belle of diens erkende agenten in verband met reparatie dan wel inschatting van schade aan de machine bij een garantieclaim.
- Materiaal- en/of arbeidskosten voor het vernieuwen, repareren of vervangen van onderdelen als gevolg van normale slijtage.

De volgende onderdelen vallen niet onder de garantie:

- Aandrijfriem(en)
- Luchtfilter (motor)
- Bougie (motor)

Altrad Belle en/of diens erkende agenten, leidinggevend, medewerkers en verzekeraars kunnen niet aansprakelijk worden gesteld voor gevolgschade of andere schade, verliezen dan wel onkosten in verband met of als gevolg van het onvermogen de machine voor enig doel te gebruiken.

Garantieclaims

Garantieclaims dienen in eerste instantie telefonisch, schriftelijk, per fax of per email te worden gericht aan Altrad Belle.

Nummers voor garantieclaims:

Tel: +44(0)1298 84606

Fax: +44(0)1298 84073

Email : warranty.dept@altrad-belle.com

Correspondentieadres:

Altrad Belle Warranty Department, Sheen, Nr. Buxton, Derbyshire, SK17 0EU, England

Garantieregistratie:

In de offerte voor ALTRAD Belle om groener en meer ecovriendelijk te worden hebben we een online Garantieregistratie geïntroduceerd. Om de registratiepagina op onze website te openen kunt u het volgende adres gebruiken:

http://www.bellegroup.com/index.php?p=warranty_registration

U kunt ook de QR Code (Quick Response Code) gebruiken om met uw smartphone de registratiepagina te openen.



Настоящее руководство поможет вам безопасно эксплуатировать и обслуживать виброплиту MPC300. Это руководство предназначено для дилеров и операторов виброплиты MPC300.

Предисловие

В разделе **Описание устройства** можно ознакомиться со схемой и органами управления устройства.

В разделе **Окружающая среда** даны указания по экологически безопасной утилизации списанного устройства.

В разделах **Общая техника безопасности** и **Охрана труда** объясняется, как обеспечить безопасность для себя и окружающих при эксплуатации устройства.

Раздел **Инструкция по эксплуатации** поможет вам в наладке и эксплуатации устройства.

Раздел **Руководство по устранению неисправностей** поможет вам в случае проблем с устройством.

Раздел **Техническое обслуживание** поможет вам выполнить общее обслуживание устройства.

Указания в отношении условных обозначений.

Текст, требующий особого внимания, в настоящем руководстве обозначается следующим образом:



ВНИМАНИЕ

Использование изделия сопряжено с риском. Несоблюдение инструкций может привести к повреждению устройства или травмам пользователя.



ОСТОРОЖНО

Жизнь оператора под угрозой.

ОСТОРОЖНО



ОСТОРОЖНО

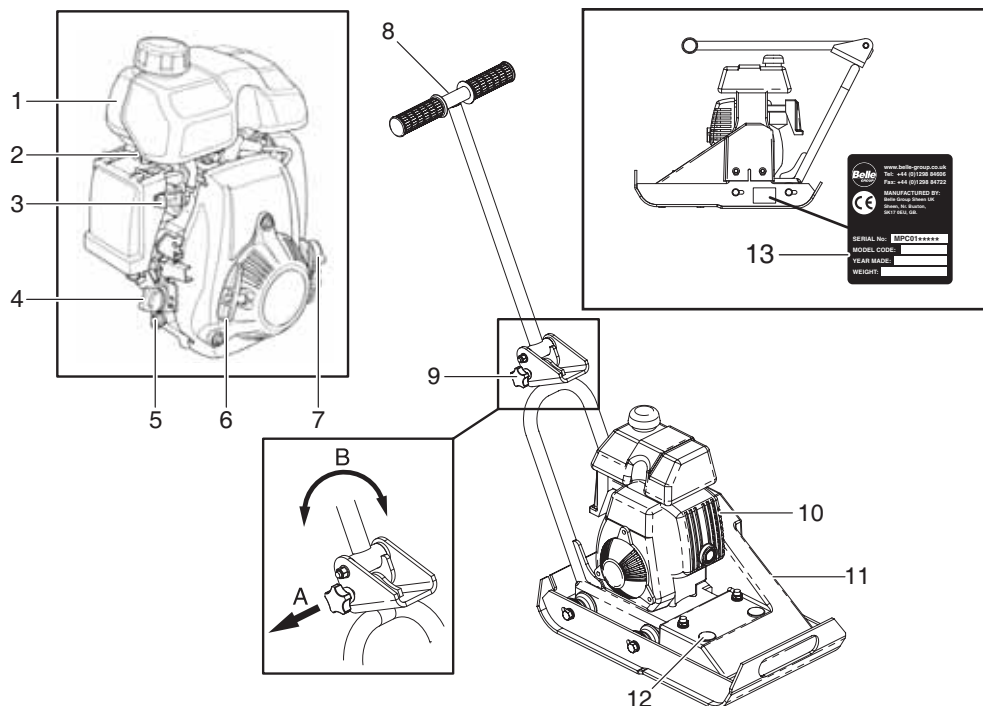
*Перед эксплуатацией или обслуживанием этого устройства **СЛЕДУЕТ ОЗНАКОМИТЬСЯ** с настоящим руководством.*

СЛЕДУЕТ ЗНАТЬ порядок безопасного управления устройством и его безопасного обслуживания. (Примечание. Перед запуском устройства следует узнать, как оно выключается, на случай возникновения трудностей.)

СЛЕДУЕТ ВСЕГДА носить или использовать соответствующие средства индивидуальной защиты. **ПО ВСЕМ ВОПРОСАМ** о безопасной эксплуатации или обслуживанию этого устройства **ОБРАЩАЙТЕСЬ К СВОЕМУ НАЧАЛЬНИКУ ИЛИ В КОМПАНИЮ: Altrad Belle (ВЕЛИКОБРИТАНИЯ): +44 (0) 1298 84606**

Оглавление

Как пользоваться этим руководством	27
ОСТОРОЖНО	27
Описание устройства	28
Технические характеристики	28
Знаки	29
Окружающая среда	29
Необходимость уплотнения	29
Общая техника безопасности	30
Охрана труда	30
Предпусковые проверки	30
Инструкция по эксплуатации	31
Техническое обслуживание и ремонт	32
Руководство по устранению неисправностей	33
Гарантия	33



1. Топливный бак
2. Рычаг воздушной заслонки
3. Рычаг включения/выключения подачи топлива
4. Горловина для заливки масла / масляный щуп
5. Маслосливная пробка
6. Пусковая рукоятка
7. Выключатель двигателя
8. Ручка управления
9. Фиксатор ручки управления
10. Выхлопная система
11. Кожух ремня
12. Точка смазки вибрационного механизма
13. Табличка с серийным номером



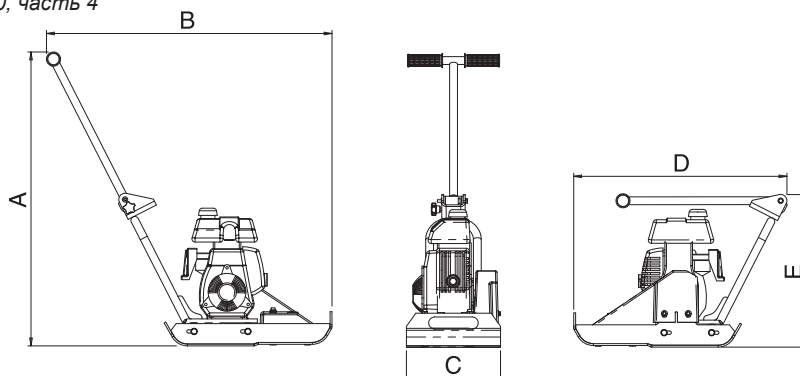
ВНИМАНИЕ

На заводе установлена оптимальная частота вращения двигателя; ЗАПРЕЩАЕТСЯ регулировать положение дроссельной заслонки. Несоблюдение этого требования может привести к повреждению устройства и аннулированию гарантии.

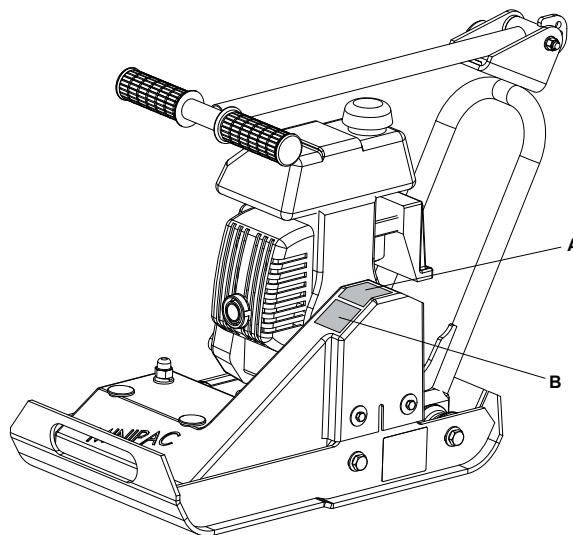
Технические характеристики

Модель	MPC 300
А – Высота (не более) – Эксплуатация (мм)	937
А – Длина (не более) – Эксплуатация (мм)	1073
С – Ширина (мм)	300
Д – Длина – Хранение (мм)	707
Е – Высота – Хранение (мм)	491
Двигатель	Honda GXH50
Мощность двигателя (л. с. / кВт / об/мин)	2,5 / 1,8 / 3800
Вес (кг)	32,5
Центробежная сила (кН)	3,25
Частота (Гц)	80
Скорость хода, не более (м/мин)	12,9
Уплотняющая сила (кг/м ²)	556
Объемная вибрация* (м/с ²)	7,11
Продолжительность эксплуатации (мин)	60
Уровень мощности звука (дБА)	99

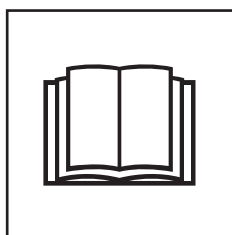
* Минимальный уровень согласно EN500, часть 4



- А. Знак безопасности
- В. Знак с указанием уровня шума



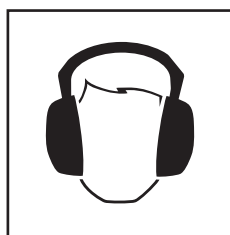
А - Знак безопасности (19.0.373)



Прочтите руководство для оператора



Работать в защитной обуви



Работать в защитных наушниках



Работать в защитных очках

В - Знак с указанием уровня шума (800-99916)

Уровень шума во время работы устройства составляет 99 дБА

Окружающая среда

Безопасная утилизация



Указания по защите окружающей среды. Устройство содержит ценные материалы. Списанное устройство вместе со вспомогательным оборудованием сдается на соответствующее перерабатывающее предприятие.

Компонент	Материал
Ручка управления	Сталь
Рукоятка	Резина
Основная рама	Сталь
Опорная плита	Сталь
Груз эксцентрика	Сталь
Корпус бензинового двигателя	Алюминий
Крышки бензинового двигателя	Синтетический материал
Различные детали	Сталь и алюминий

Необходимость уплотнения

Нарушенный или новый насыпанный грунт, подстилающий слой или асфальтобетон имеет пустоты или воздушные карманы, которые, если их не уплотнить, могут привести к возникновению проблем.

1. Движение транспорта по неуплотненной поверхности сжимает материал. Это приводит к проседанию верхних слоев, когда материал заполняет пустоты.
2. Не менее серьезные последствия возникают и при статической нагрузке на неуплотненный грунт. Это может привести к проседанию строения, если фундамент установлен на неуплотненном грунте.
3. Материалы с пустотами более восприимчивы к проникновению воды, что может привести к эрозии. Проникновение жидкости в неуплотненный грунт приводит к его расширению в при отрицательных температурах и сжатию в жаркое и сухое время. Расширение и сжатие являются основными причинами повреждения фундаментов строений, что приводит к необходимости усиления фундамента.

Уплотнение повышает плотность материала и, соответственно, его несущую способность, сокращает количество пустот, снижая риск проседания, расширения и сжатия в результате попадания воды.

Чтобы защитить себя и окружающих, внимательно ознакомьтесь со следующей информацией по технике безопасности. Оператор обязан досконально знать порядок безопасной эксплуатации этого оборудования. Если вы не уверены в своих знаниях по безопасной и правильной эксплуатации виброплиты MPC300, обратитесь к своему начальнику или в компанию Altrad Belle.

**ОСТОРОЖНО**

Неправильное обслуживание сопряжено с риском. Перед выполнением технического обслуживания или ремонта следует ознакомиться с настоящим разделом.

- Это тяжелое оборудование, которое нельзя поднимать в одиночку. Следует взять себе помощника или воспользоваться соответствующим подъемным оборудованием.
- Следует огородить рабочий участок и не допускать на него посторонних, чтобы они оставались на безопасном расстоянии.
- Оператор должен носить средства индивидуальной защиты (СИЗ) во время эксплуатации этого оборудования (см. раздел «Охрана труда»).
- Перед запуском устройства следует узнать, как он выключается, на случай возникновения трудностей.
- Следует выключить двигатель перед его транспортировкой, перемещением или обслуживанием.
- В процессе эксплуатации двигатель сильно нагревается, поэтому следует дать ему остыть, прежде чем прикасаться к нему. Запрещается оставлять работающий двигатель без присмотра.
- Запрещается снимать или вскрывать установленные кожухи, так как они предназначены для защиты оператора. Следует всегда проверять состояние и надежность кожухов. Если они повреждены или отсутствуют, **ЗАПРЕЩАЕТСЯ ИСПОЛЬЗОВАТЬ УСТРОЙСТВО**, пока кожухи не будут заменены или отремонтированы.
- Запрещается использовать устройство, если вы больны, устали или находитесь под воздействием алкоголя или наркотиков.

Безопасность при использовании топлива**ОСТОРОЖНО**

Топливо огнеопасно. Оно может привести к травмам или повреждению имущества. Перед заливкой топлива в топливный бак следует остановить двигатель и потушить все источники открытого огня. Пролитое топливо следует обязательно убрать.

- Следует выключить двигатель и дать ему остыть перед заправкой.
- **ЗАПРЕЩАЕТСЯ** курить и пользоваться открытым огнем на участке во время заливки топлива.
- Пролитое топливо следует немедленно засыпать песком. Если топливо попало на одежду, следует сменить ее.
- Топливо должно храниться в одобренном, специальном контейнере вдали от источников тепла и возгорания.

Вибрация

Часть вибрации, возникающей во время уплотнения, передается через ручку на руки оператора. Altrad Belle Miniras имеет особое исполнение, снижающее уровни вибрации рук. Уровни вибрации и продолжительность эксплуатации (рекомендуемое максимальное время ежедневного воздействия) указаны в разделе «Технические характеристики». **ЗАПРЕЩАЕТСЯ** превышать максимальное время эксплуатации.

Средства индивидуальной защиты (СИЗ)

Следует носить подходящие СИЗ во время эксплуатации этого оборудования, то есть защитные очки, перчатки, средства защиты органов слуха, респиратор, защитная обувь с металлическим носком (с нескользкой подошвой для дополнительной защиты). Спецодежда должна соответствовать выполняемой работе. Следует обязательно защищать кожу от контакта с бетоном.

Пыль

При уплотнении может образовываться пыль, что небезопасно для здоровья оператора. Следует работать в маске, рассчитанной на тип пыли, образуемой при уплотнении.

Топливо

Не глотать топливо и не вдыхать его пары, избегать попадания на кожу. При попадании на кожу немедленно смыть. При попадании в глаза обильно промыть глаза водой и как можно скорее обратиться за медицинской помощью.

Выхлопные газы

Запрещается эксплуатировать MPC300 в помещении или ограниченном пространстве. Обеспечить надлежащую вентиляцию на рабочем участке.

**ОСТОРОЖНО**

Вырабатываемые этим оборудованием выхлопные газы очень токсичны и могут убить!

Предпусковая проверка.

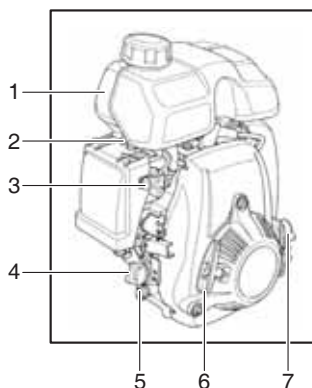
Перед началом работы и после каждых четырех часов эксплуатации следует выполнить предпусковую проверку. Подробные указания изложены в разделе о техническом обслуживании. При выявлении неисправности следует прекратить эксплуатацию MPC300 до устранения неисправности.

1. Тщательно осмотреть MPC300 для выявления признаков повреждений. Проверить крепление кожуха ремня перед эксплуатацией устройства.
2. Проверить шланги, заливочные отверстия, пробки сливных отверстий и другие части для выявления признаков утечек жидкостей. Перед эксплуатацией следует устранить утечки.
3. Проверить уровень масла в двигателе и долить при необходимости.
4. Проверить уровень топлива в двигателе и долить при необходимости.
5. Осмотреть для выявления утечки топлива или масла



ОСТОРОЖНО

Перед эксплуатацией или обслуживанием этого устройства **СЛЕДУЕТ ОЗНАКОМИТЬСЯ** с настоящим руководством.



Honda GXH50

1. Топливный бак
2. Рычаг воздушной заслонки
3. Рычаг включения/выключения подачи топлива
4. Горловина для заливки масла / масляный щуп
5. Маслосливная пробка
6. Пусковая рукоятка
7. Выключатель двигателя



ВНИМАНИЕ

На заводе установлена оптимальная частота вращения двигателя; **ЗАПРЕЩАЕТСЯ РЕГУЛИРОВАТЬ ОБОРОТЫ ДВИГАТЕЛЯ.** Несоблюдение этого требования может привести к повреждению устройства и аннулированию гарантии.

Останов двигателя

1. Повернуть выключатель двигателя против часовой стрелки в положение «0».
2. Перекрыть подачу топлива.

Запуск двигателя

1. Открыть топливный кран, передвинув рычаг включения/выключения подачи топлива в крайнее левое положение.
2. В случае холодного пуска передвинуть рычаг воздушной заслонки в закрытое положение. Для повторного пуска прогретого двигателя следует оставить рычаг воздушной заслонки в открытом положении.
3. Повернуть выключатель двигателя по часовой стрелке в положение «I».
4. Крепко держа ручку управления одной рукой, взяться за пусковую рукоятку другой рукой. Потянуть за пусковую рукоятку, пока не почувствуется сопротивление, и дать рукоятке вернуться на место.
5. Резко дернуть за пусковую рукоятку, стараясь не вытянуть шнур на всю длину.
6. Повторять процедуру до запуска двигателя. **ПРИМЕЧАНИЕ.** После запуска двигатель работает с заранее заданными оборотами.
7. Если рычаг воздушной заслонки был перемещен в закрытое положение для запуска двигателя, следует плавно перевести его в открытое положение по мере прогрева двигателя.
8. Если двигатель не запускается после нескольких попыток, следует обратиться к руководству по устранению неисправностей.

Доставить MPC300 на место эксплуатации.

Запрещается перемещать MPC300 с работающим двигателем, даже на короткие расстояния.

После выполнения указанных выше предпусковых проверок можно запускать двигатель.

ПРИМЕЧАНИЕ. После запуска устройство начинает вибрировать и двигаться вперед. Следует прислушаться для выявления необычных шумов. При выявлении указанных признаков следует немедленно остановить устройство и следовать руководству по устранению неисправностей.

Ручка управления используется для поворота MPC300.

- Вибрационный механизм приводит не только к вибрированию опорной плиты, но и движению устройства вперед. При нормальной эксплуатации оператору не приходится толкать MPC300; устройство движется вперед своим ходом.
- Скорость уплотнения зависит от состояния уплотняемой поверхности.
- Следует очень осторожно управлять направлением движения MPC300 при уплотнении наклонной поверхности. Следует направлять устройство вверх и вниз, но не поперек уклона.
- **Упорядоченно уплотнять поверхность до достижения требуемой плотности.**
- Если уплотнению подлежат несколько слоев, каждый из них уплотняется отдельно.

Техническое обслуживание

Виброплита Altrad Belle MPC300 предназначена для многолетней бесперебойной работы. Рекомендуется, чтобы основное обслуживание и ремонт выполнял одобренный дилер компании Altrad Belle. Следует использовать только оригинальные запасные части Altrad Belle; использование поддельных частей может привести к аннулированию вашей гарантии.

Перед выполнением обслуживания устройства следует выключить двигатель и отсоединить провод высокого напряжения от свечи зажигания.

Для получения правильных показаний уровней жидкостей виброплита MPC300 должна находиться на ровной поверхности. Следует использовать только рекомендуемые масла (см. таблицу на следующей странице).

Время приработки

При первом использовании MPC300 следует заменить моторное масло после приработки (подробнее в руководстве к двигателю). Через 4 часа эксплуатации следует проверить натяжение ремня. После установки новых ремней следует проверить их натяжение через 30 часов эксплуатации.

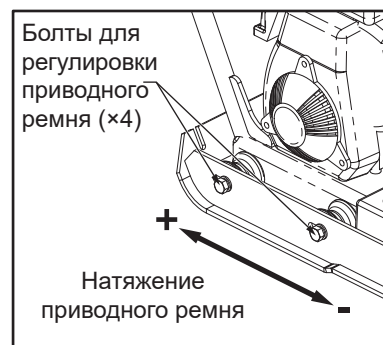
Текущее обслуживание		После первых четырех часов эксплуатации	Первый месяц / 20 ч	3 месяца / 50 ч	6 месяцев / 100 ч
Моторное масло	Проверить уровень	✓			
	Заменить		✓		✓
Воздушный фильтр	Проверить состояние		✓		✓
	Очистить / заменить			✓	
Свеча зажигания	Проверить / очистить				✓
Приводной ремень	Натяжение	✓	✓	✓	

Приводной ремень

Снять кожух ремня и проверить натяжение ремня, слегка нажав на него пальцем посередине между приводом и ведомым шкивом. Ремень должен прогибаться примерно на 5 мм.

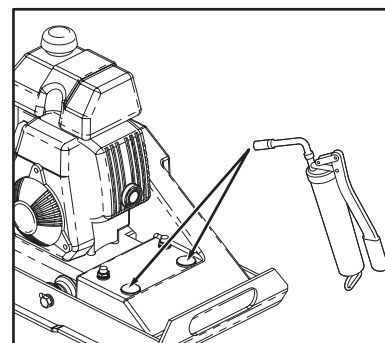
Если необходимо отрегулировать ремень, следует ослабить 4 крепежных болта, чтобы можно было сместить двигатель. Для регулировки положения двигателя следует сместить его вперед или назад на опорной плите. Установив двигатель в требуемое положение, следует затянуть крепежные болты и снова проверить натяжение ремня.

Проверить центровку шкива. Если центровка неправильная, ослабить конусные втулки и отцентрировать шкив. Достигнув правильной центровки, затянуть конусные втулки. Правильно установить на место и надежно закрепить кожух ремня.



Вибрационный механизм.

Снять заглушки (×2) с кожуха ремня. Добавить подходящей смазки при необходимости.



Тип и количество масла / топлива. Тип свечи зажигания

	Тип масла	Количество (л)	Тип топлива	Емкость (л)	Тип свечи зажигания	Зазор между электродами (мм)
Petrol Honda GXH50	S.A.E. 10W 30	0.25	Неэтилированное	1.2	BM4a или BmR4a	0.6 - 0.7

Проблема	Причина	Решение
Не запускается двигатель.	Нет топлива.	Открыть топливный кран. Заполнить топливный бак.
	Выключился двигатель.	Включить двигатель.
	Засорена свеча зажигания.	Очистить и отрегулировать зазор свечи.
	Не прогрет двигатель.	Закрыть воздушную заслонку.
	Двигатель залит.	Открыть воздушную заслонку, полностью открыть дроссельную заслонку, дергать за пусковую рукоятку до запуска двигателя.
Двигатель все равно не запускается.	Серьезная неисправность.	Обратиться к представителю или в компанию Altrad Belle.
Устройство не вибрирует.	Неправильно натянут ремень.	Отрегулировать натяжение ремня.
	Засор воздушного фильтра.	Очистить или заменить воздушный фильтр.
	Поврежден / сломан эксцентричный вал.	Заменить эксцентричный вал.
Устройство повреждает брусчатку.	Плита напрямую контактирует с материалом.	Использовать подкладку.
Отслаивание битумной поверхности (расщепление на слои).	Чрезмерное уплотнение.	Снять и уложить битум повторно.
Медленный ход (плита погружается).	Слишком толстый слой.	Убрать часть материала.
	Слишком много или мало влаги.	Убрать и исправить материал.

Гарантия



Ваша новая односторонняя виброплита MPC 300 производства Бель Групп имеет гарантию для первоначального покупателя сроком в один год (12 месяцев) со дня первоначальной покупки. Гарантия Бель Групп распространяется на дефекты в дизайне, материалах и отделке.

Гарантия Бель Групп не распространяется на перечисленные ниже:

1. Повреждения, возникшие в результате злоупотребления, неправильного употребления, падения на землю, а также иные повреждения подобного рода, появившиеся в результате или возникшие из-за неверного использования инструкций по монтажу, использованию и обслуживанию.
2. Внесенные изменения, дополнения и ремонтные работы, выполненные кем-либо помимо Бель Групп или их официальных представителей.
3. Расходы по пересылке или перевозке (в оба конца) какой-либо машины в Бель Групп или к их официальному представителю для ремонта или осмотра по гарантийной претензии.
4. Материалы и стоимость работы по обновлению, ремонту или замене компонентов, подверженных обычному износу.

Гарантия не распространяется на следующие компоненты:

- Ремни приводов;
- Воздушные фильтры мотора;
- Свечи зажигания.

Ни сама Бель Групп, ни ее официальные представители, руководители, работники или страховщики не несут ответственности за повреждения, возникшие как следствие или иные повреждения, потери или расходы, возникшие в результате или в связи с невозможностью использовать машину для каких-либо целей.

Гарантийные претензии

Все гарантийные претензии должны быть прежде всего направлены непосредственно в Белле Групп по телефону, по факсу, по э-почте или в письменном виде.

Для гарантийных претензий:

Тел.: +44 (0)1298 84606

Факс: +44 (0)1298 84073

Э-почта: warranty.dept@altrad-belle.com

В письменном виде:

Altrad Belle Warranty Department, Sheen, Nr. Buxton, Derbyshire, SK17 0EU, England

Регистрация гарантии:

Для улучшения экологических показателей ALTRAD Belle мы ввели онлайн-регистрацию гарантии. Страница регистрации доступна на нашем сайте по адресу:

http://www.bellegroup.com/index.php?p=warranty_registration

Вы также можете открыть страницу регистрации, просканировав QR-код смартфоном.





BELLE
LIGHT
CONSTRUCTION
EQUIPMENT

ALTRAD BELLE

Sheen, Nr. Buxton, Derbyshire, SK17 0EU, GB

Tel. +44 (0)1298 84606 - Fax +44 (0)1298 84722 - Email: sales@altrad-belle.com

www.Altrad-Belle.com

EU IMPORTER ADDRESS

ADRESSE DE L'IMPORTATEUR - DIRECCIÓN DEL IMPORTADOR - ENDEREÇO DO IMPORTADOR - ADRES IMPORTEUR

IMPORTØRENS ADRESSE - IMPORTEUR ADRESSE - INDIRIZZO DELL'IMPORTATORE - IMPORTÖRENS ADRESS - IMPORTØRADRESSE

MAAHANTUOJAN OSOITE - ADRES IMPORTERA - IMPORTIJA AADRESS - IMPORTĚTĀJA ADRESE - IMPORTUOTOJO ADRESAS

ADRESA DOVOZCE - ADRESA IMPORTATORULUI - IMPORTÓR CÍME - ADRESA UVOZNIKA - ÍTHALATÇI ADRESI - ADRESA DOVOZCU

ALTRAD (Group Holding)

125, Rue du Mas Carbonnier, 34000, Montpellier, France

Tel. +33 (0) 4 67 50 53 66 - Email: admin@altrad.com

www.altrad.com