



Nothing but **HEAVY DUTY**.®



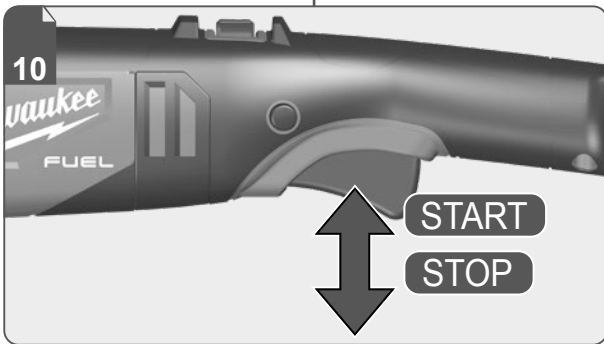
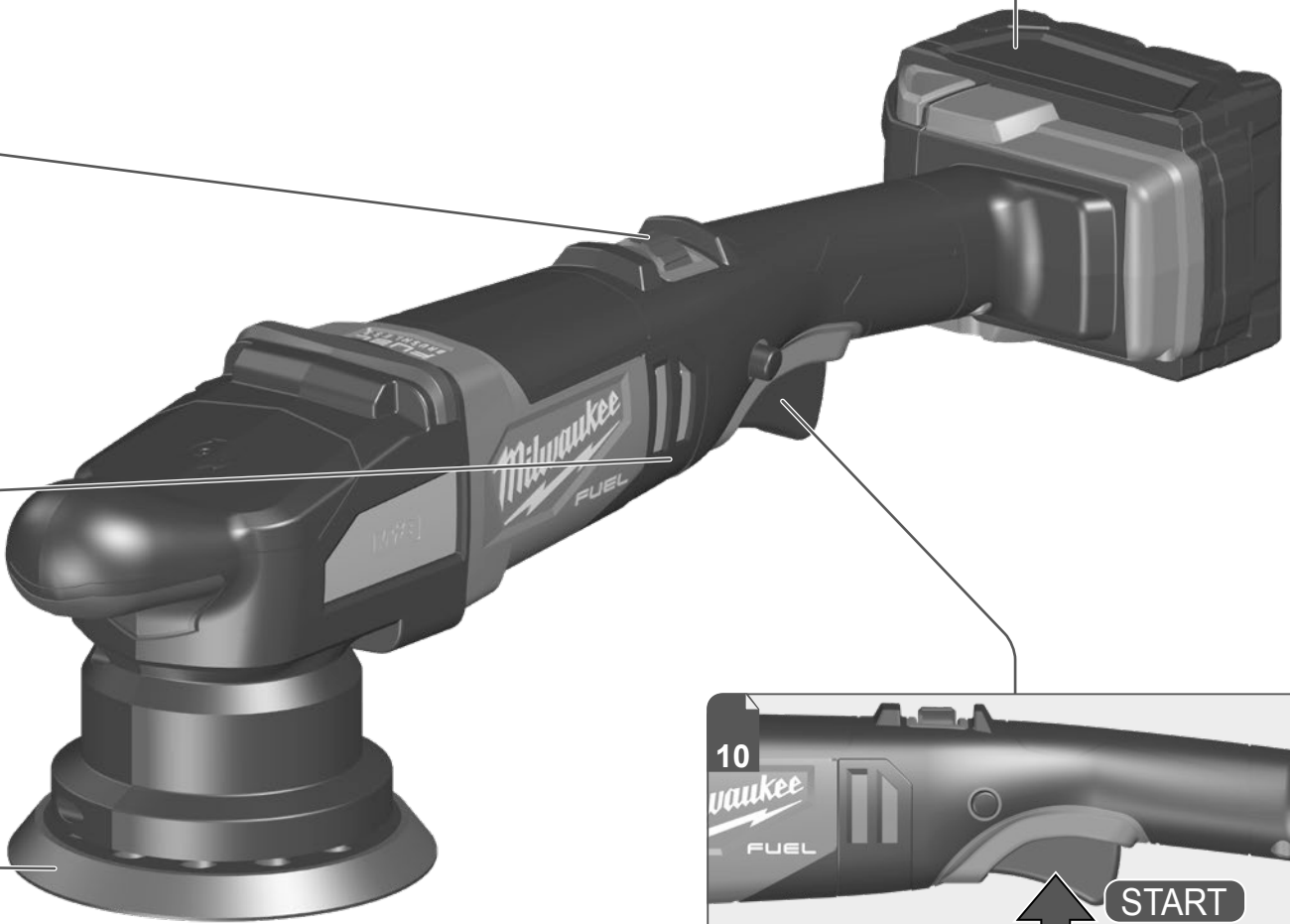
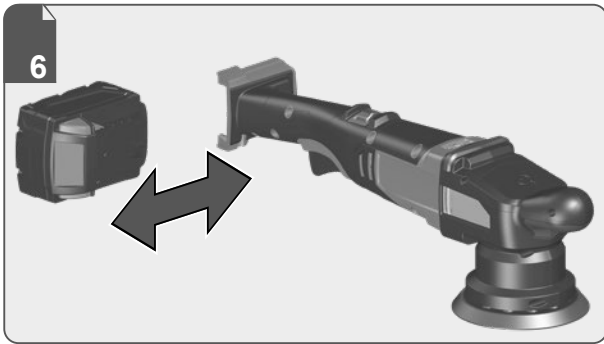
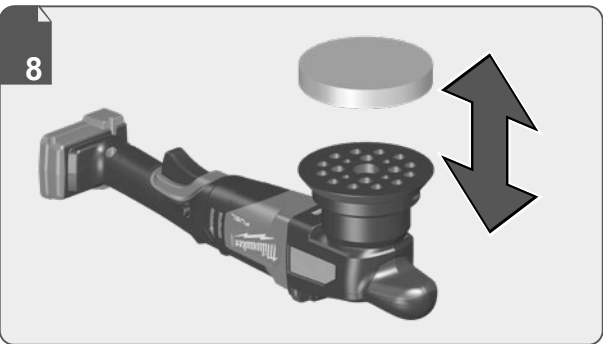
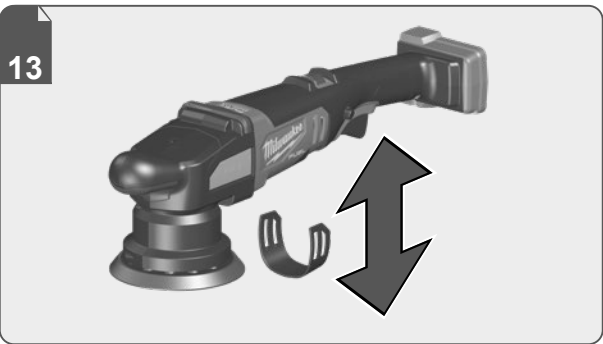
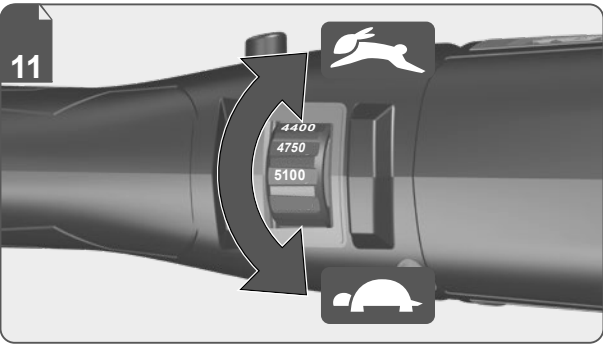
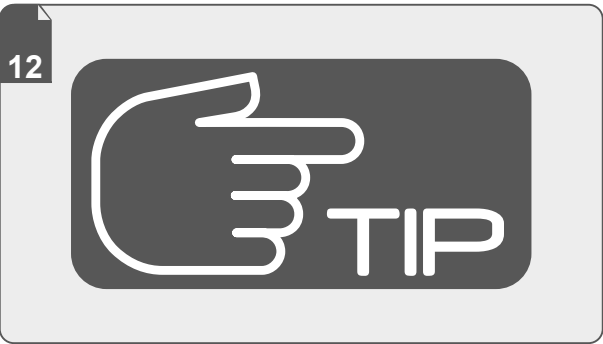
M18 FROP15 **M18 FROP21**

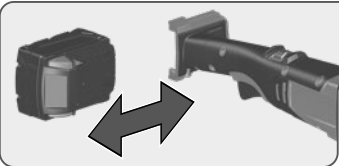
Original instructions
Originalbetriebsanleitung
Notice originale
Istruzioni originali
Manual original
Oorspronkelijke gebruiksaanwijzing
Original brugsanvisning
Original bruksanvisning
Bruksanvisning i original
Alkuperäiset ohjeet

Πρωτότυπο οδηγιών χρήσης
Orijinal işletme talimatı
Původním návodem k používání
Pôvodný návod na použitie
Instrukcja oryginalną
Eredeti használati utasítás
Izvirna navodila
Originalne pogonske upute
Instrukcijām oriģinālvalodā
Originali instrukcija

Algupärane kasutusjuhend
Оригинальное руководство по эксплуатации
Оригинално ръководство за експлоатация
Instrucțiuni de folosire originale
Оригинален прирачник за работа
Оригінал інструкції з експлуатації
التعليمات الأصلية

ENGLISH	Picture section with operating description and functional description	Page	4	Text section with Technical Data, important Safety and Working Hints and description of Symbols	Page	14
DEUTSCH	Bildteil mit Anwendungs- und Funktionsbeschreibungen	Seite	4	Textteil mit Technischen Daten, wichtigen Sicherheits- und Arbeitshinweisen und Erklärung der Symbole.	Seite	16
FRANÇAIS	Partie imagée avec description des applications et des fonctions	Page	4	Partie textuelle avec les données techniques, les consignes importantes de sécurité et de travail ainsi que l'explication des pictogrammes.	Page	18
ITALIANO	Sezione illustrata con descrizione dell'applicazione e delle funzioni	Pagina	4	Sezione testo con dati tecnici, importanti informazioni sulla sicurezza e sull'utilizzo, spiegazione dei simboli.	Pagina	20
ESPAÑOL	Sección de ilustraciones con descripción de aplicación y descripción funcional	Página	4	Sección de texto con datos técnicos, indicaciones importantes de seguridad y trabajo y explicación de los símbolos.	Página	22
PORTUGUES	Parte com imagens explicativas contendo descrição operacional e funcional	Página	4	Parte com texto explicativo contendo Especificações técnicas, avisos de segurança e de operação e a descrição dos símbolos.	Página	25
NEDERLANDS	Beeldgedeelte met toepassings- en functiebeschrijvingen	Pagina	4	Tekstgedeelte met technische gegevens, belangrijke veiligheids- en arbeidsinstructies en verklaring van de symbolen.	Pagina	27
DANSK	Billeddel med anvendelses- og funktionsbeskrivelser	Side	4	Tekstdel med tekniske data, vigtige sikkerheds- og arbejdsanvisninger og symbolforklaring.	Side	29
NORSK	Billeddel med bruks- og funksjonsbeskrivelse	Side	4	Tekstdel med tekniske data, viktige sikkerhets- og arbeidsinstruksjoner og forklaring av symbolene.	Side	31
SVENSKA	Bilddel med användnings- och funktionsbeskrivning	Sidan	4	Textdel med tekniska informationer, viktiga säkerhets- och användningsinstruktioner samt symbolförklaringar.	Sidan	33
SUOMI	Kuvasivut käyttö- ja toimintakuvaus	Sivu	4	Tekstisivut: tekniset tiedot, tärkeät turvallisuus- ja työskentelyohjeet sekä merkkien selitykset.	Sivu	35
ΕΛΛΗΝΙΚΑ	Τμήμα εικόνων με περιγραφές χρήσης και λειτουργίας	Σελίδα	4	Τμήμα κειμένου με τεχνικά χαρακτηριστικά, σημαντικές υποδείξεις ασφαλείας και εργασίας και εξήγηση των συμβόλων.	Σελίδα	37
TÜRKÇE	Resim bölümü Uygulama ve fonksiyon açıklamaları ile birlikte	Sayfa	4	Teknik bilgileri, önemli güvenlik ve çalışma açıklamalarını ve de sembollerin açıklamalarını içeren metin bölümü.	Sayfa	40
ČESKY	Obrazová část s popisem aplikací a funkcí	Stránka	4	Textová část s technickými daty, důležitými bezpečnostními a pracovními pokyny a s vysvětlivkami symbolů	Stránka	42
SLOVENSKY	Obrazová část s popisom aplikácií a funkcií	Stránka	4	Textová časť s technickými dátami, dôležitými bezpečnostnými a pracovnými pokynmi a s vysvetlivkami symbolov	Stránka	44
POLSKI	Część rysunkowa z opisami zastosowania i działania	Strona	4	Część opisowa z danymi technicznymi, ważnymi wskazówkami dotyczącymi bezpieczeństwa i pracy oraz objaśnieniami symboli.	Strona	46
MAGYAR	Képes részalkalmazási- és működési leírásokkal	Oldal	4	Szöveges rész műszaki adatokkal, fontos biztonsági- és munkavégzési útmutatásokkal, valamint a szimbólumok magyarázata.	Oldal	49
SLOVENŠČINA	Del slikez opisom uporabe in funkcij	Stran	4	Del besedila s tehničnimi podatki, pomembnimi varnostnimi opozorili in delovnimi navodili in pojasnili simbolov.	Stran	51
HRVATSKI	Dio sa slikamasa opisima primjene i funkcija	Stranica	4	Dio štiva sa tehničkim podacima, važnim sigurnosnim i radnim uputama i objašnjenjem simbola.	Stranica	53
LATVISKI	Attēla daļa ar lietošanas un funkciju aprakstiem	Lappuse	4	Teksta daļa ar tehniskajiem parametriem, svarīgiem drošības un darbības norādījumiem, simbolu atšifrējumiem.	Lappuse	55
LIETUVIŠKAI	Paveikslėlio dalis su vartojimo instrukcija ir funkcijų aprašymais	Puslapis	4	Teksto dalis su techniniais duomenimis, svarbiomis saugumo ir darbo instrukcijomis bei simbolių paaiškinimais.	Puslapis	57
EESTI	Pildiosa kasutusjuhendi ja funktsioonide kirjeldusega	Lehekülg	4	Tekstiosa tehniliste näitajate, oluliste ohutus- ja tööjuhenditega ning sümbolite kirjeldustega.	Lehekülg	59
РУССКИЙ	Раздел иллюстраций с описанием эксплуатации и функций	Страница	4	Текстовый раздел, включающий технические данные, важные рекомендации по безопасности и эксплуатации, а также описание используемых символов.	Страница	61
БЪЛГАРСКИ	Част със снимки с описание за приложение и функции	Страница	4	Част с текст с технически данни, важни указания за безопасност и работа и разяснение на символите.	Страница	64
ROMÂNĂ	Secvența de imagine cu descrierea utilizării și a funcționării	Pagina	4	Porțiune de text cu date tehnice, indicații importante privind siguranța și modul de lucru și descrierea simbolurilor.	Pagina	67
МАКЕДОНСКИ	Дел со сликисо описи за употреба и функционирање	Страница	4	Текстуален дел со Технички карактеристики, важни безбедносни и работни упатства и објаснување на симболите.	Страница	69
УКРАЇНСЬКА	Частина з зображеннями з описом робіт та функцій	Сторінка	4	Текстова частина з технічними даними, важливими вказівками з техніки безпеки та експлуатації і поясненням символів.	Сторінка	72
عربي	قسم الصور يوجد به الوصف التشغيلي والوظيفي	الصفحة	4	القسم النصي المزود بالبيانات الفنية والنصائح الهامة للسلامة والعمل ووصف الرموز	الصفحة	76





Remove the battery pack before starting any work on the machine.
Vor allen Arbeiten an der Maschine den Wechselakku herausnehmen.

Avant tous travaux sur la machine retirer l'accu interchangeable.

Prima di iniziare togliere la batteria dalla macchina.

Retire la batería antes de comenzar cualquier trabajo en la máquina.

Antes de efectuar cualquier intervención na máquina retirar o bloco acumulador.

Voor alle werkzaamheden aan de machine de akku verwijderen.

Ved arbejde inden i maskinen, bør batteriet tages ud.

Ta ut vekslebatteriet før du arbeider på maskinen

Drag ur batteripaket innan arbete utföres på maskinen.

Tarkista pistotulppa ja verkkojohto mahdollisilta vaurioilta. Viat saa korjata vain alan erikoismies.

Πριν από κάθε εργασία στη μηχανή αφαιρέστε την ανταλλακτική μπαταρία.

Aletin kendingde bir çalışma yapmadan önce kartuş aküyü çıkarın.

Před zahájením veškerých prací na vrtacím šroubováku vyjmout výměnný akumulátor.

Pred každou prácou na stroji výměnný akumulátor vytiahnuť.

Przed przystąpieniem do jakichkolwiek prac na elektronarzędziu należy wyjąć wkładkę akumulatorową.

Karbantartás, javítás, tisztítás, stb. előtt az akkumulátort ki kell venni a készülékből.

Pred deli na stroju izvlecite izmenljivi akumulator.

Prije svih radova na stroju izvaditi bateriju za zamjenu.

Pirms mašīnai veikt jebkāda veida apkopes darbus, ir jāizņem ārā akumulators.

Prieš atlikdami bet kokius darbus įrenginyje, išimkite keičiamą akumuliatorių.

Enne kõiki töid masina kallal võtke vahetatav aku välja.

Внітьте аккумулятор из машины перед проведением с ней каких-либо манипуляций.

Преди започване на каквито е да е работи по машината извадете акумулатора.

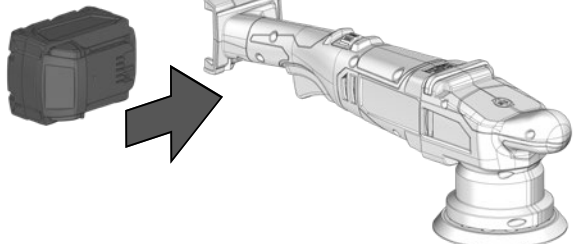
Scoateți acumulatorul înainte de a începe orice intervenție pe mașină.

Отстранете ја батеријата пред да започнете да ја користите машината.

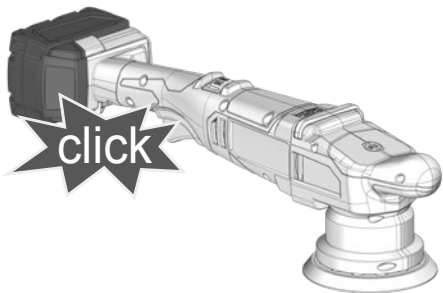
Перед будь-якими роботами на машині вийняти змінну акумуляторну батарею.

قم ب إزالة حزمة البطارية قبل البدء في أي أعمال على الجهاز.

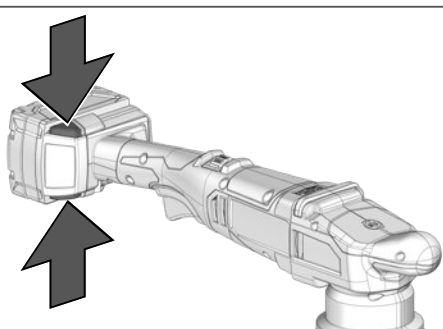
1



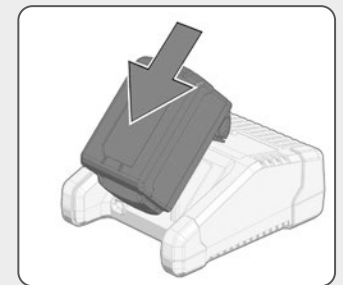
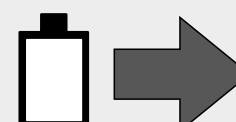
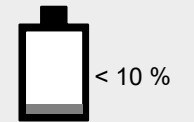
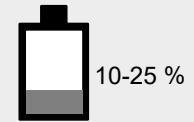
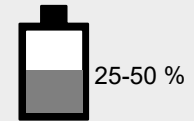
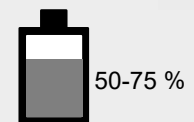
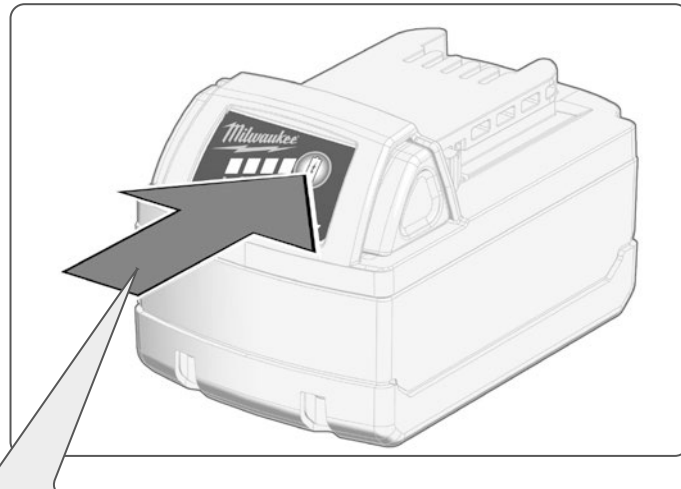
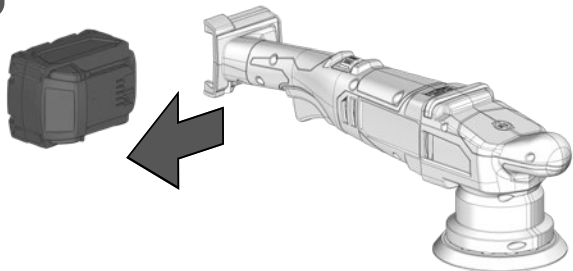
2

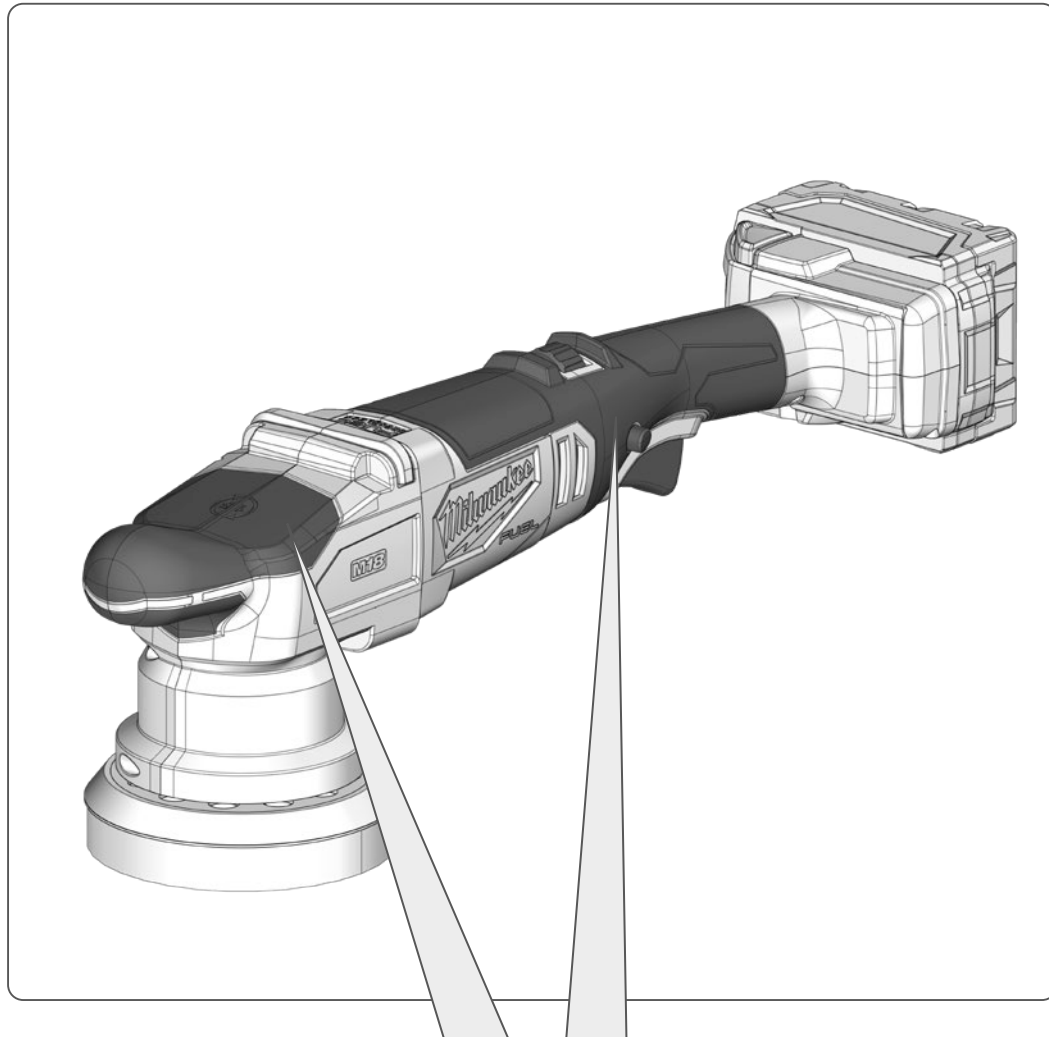
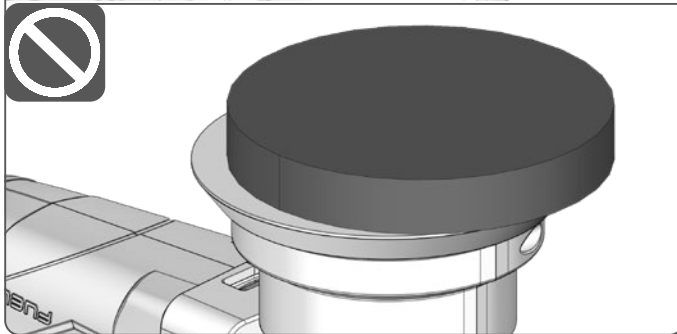
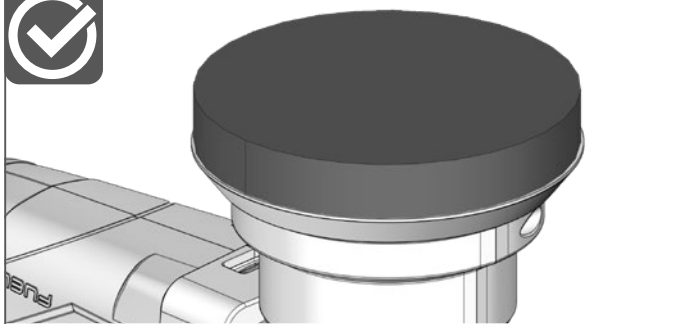
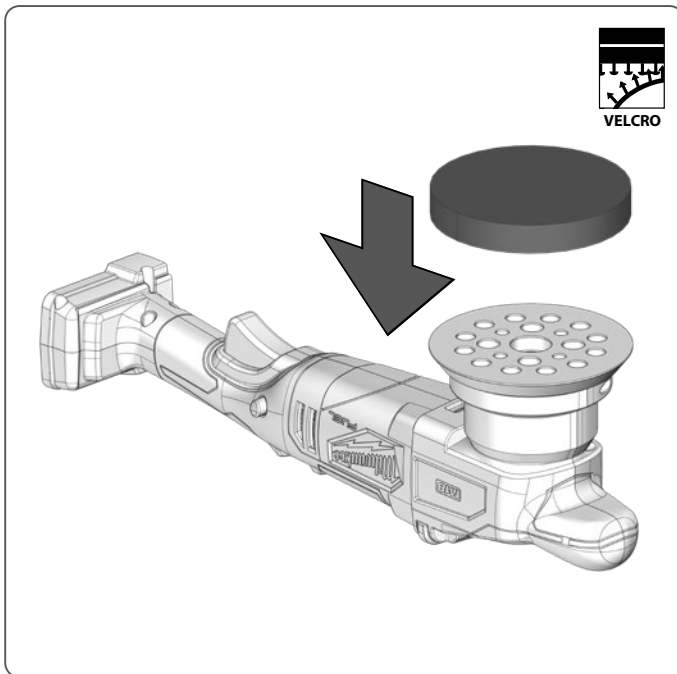


1



2





Insulated gripping surface

Isolierte Grifffläche

Surface de prise isolée

Superficie di presa isolata

Superficie de agarre con aislamiento

Superficie de pega isolada

Geïsoleerde handgrepen

Isolerede gribeflader

Isolert gripeflate

Isolerad greppyta

Eristetty tarttumapinta

Μονωμένη επιφάνεια λαβής

İzolasyonlu tutma yüzeyi

Izolovaná uchopovací plocha

Izolovaná úchopná plocha

Izolowana powierzchnia uchwytu

Szigetelt fogófelület

Izolirana prijemalna površina

Izolirana površina za držanje

Izolēta satveršanas virsma

Izoliuotas rankenos paviršius

Isoleeritud pideme piirkond

Изолированная поверхность ручки

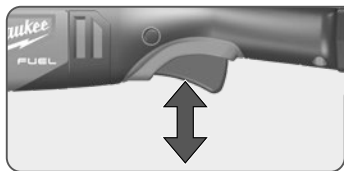
Изолирана повърхност за хващане

Suprafață de prindere izolată

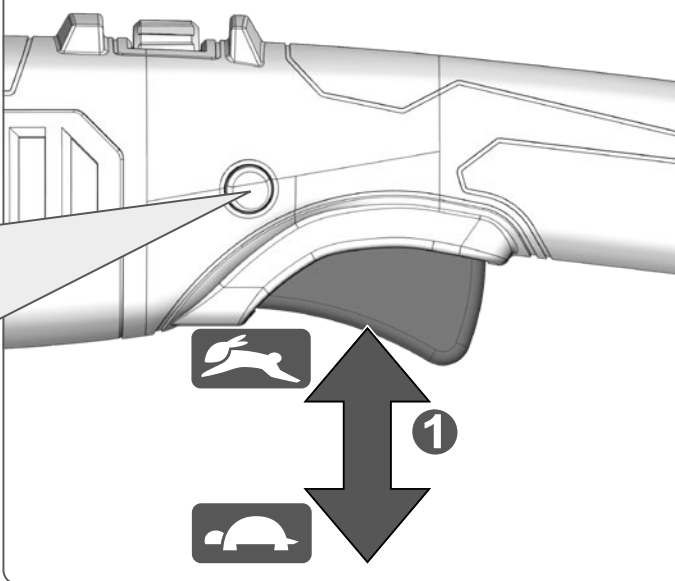
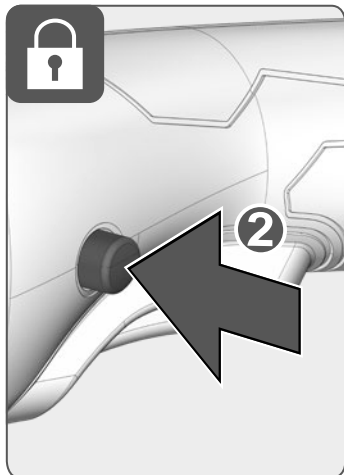
Изолирана површина на дршката

Изолирована поверхность ручки

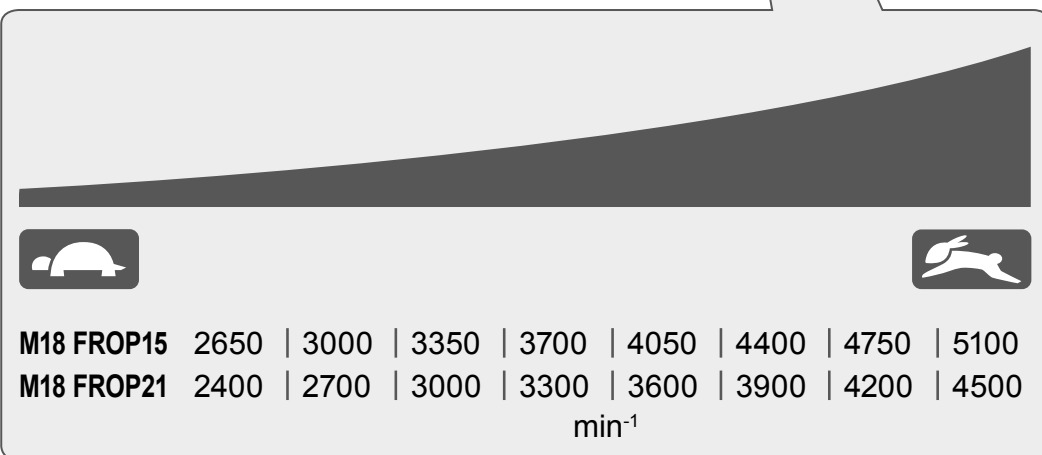
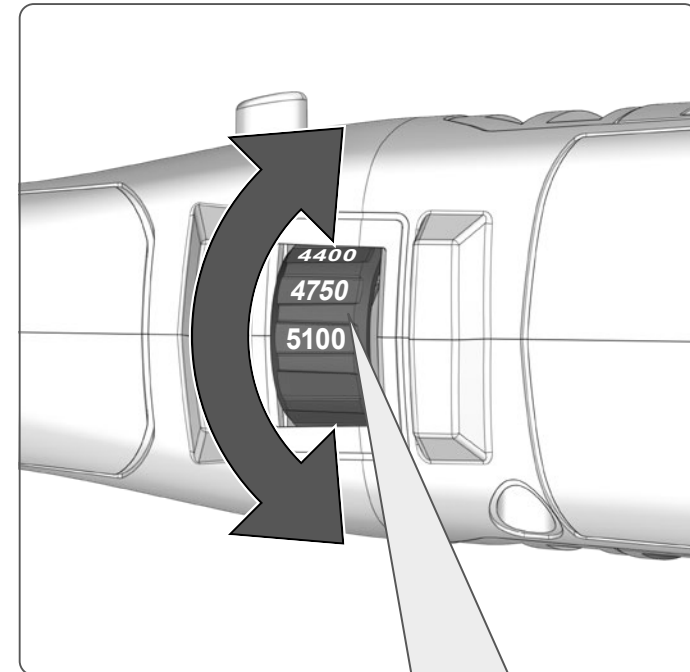
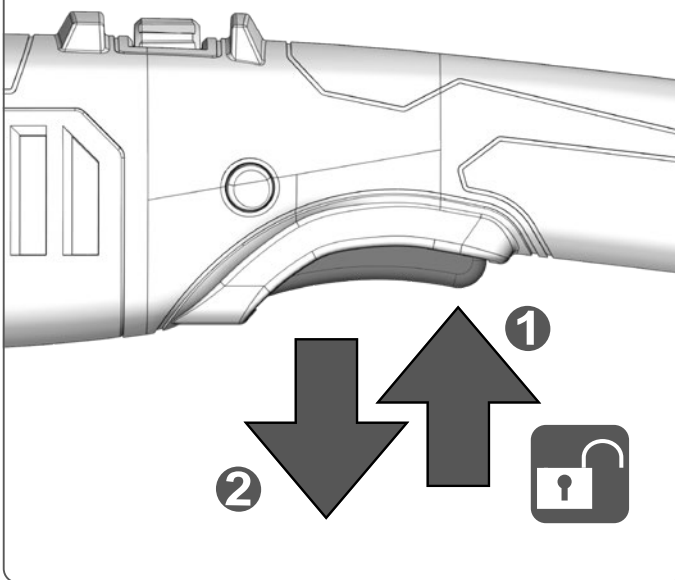
مساحة المقبض معزولة

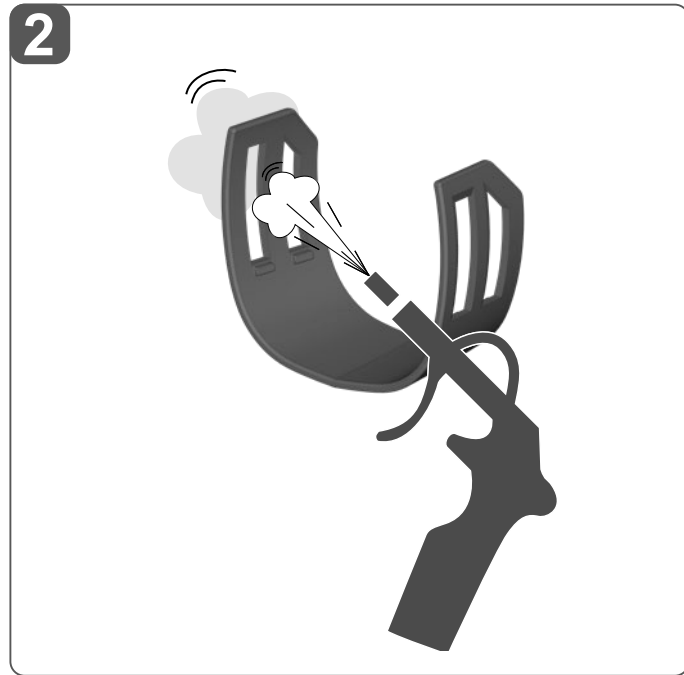
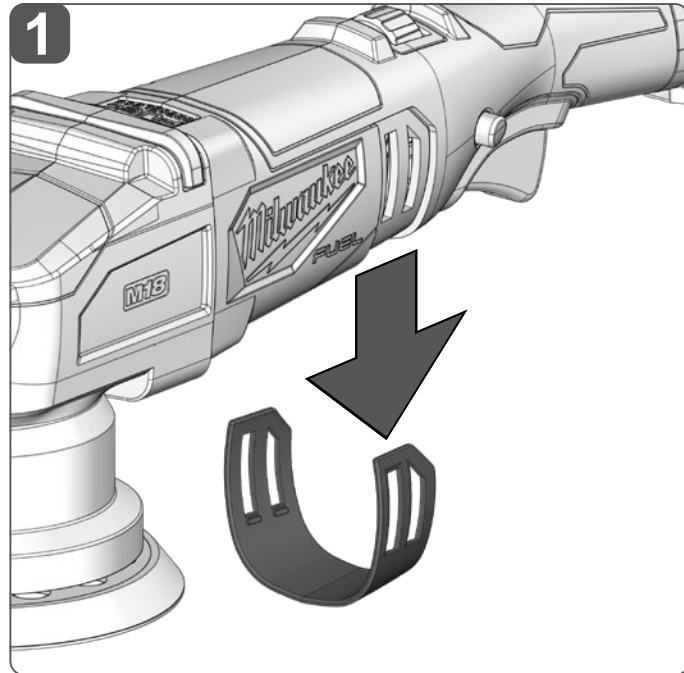
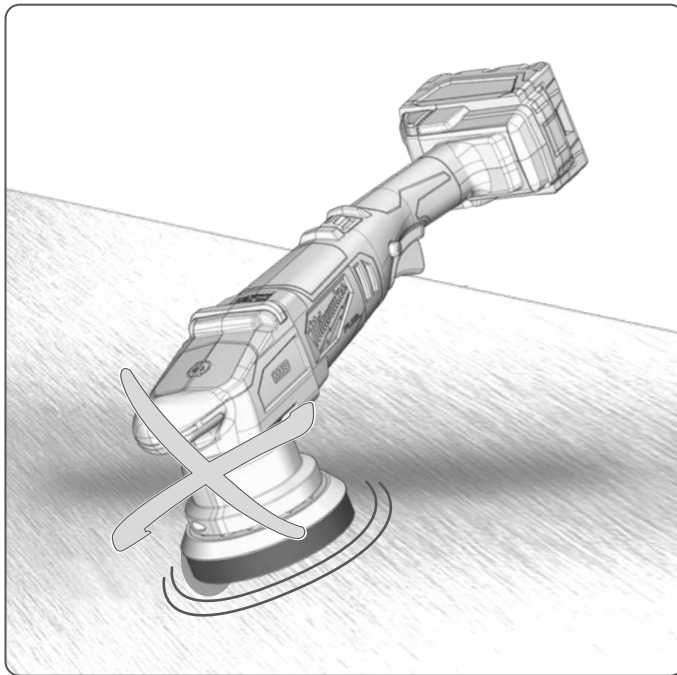
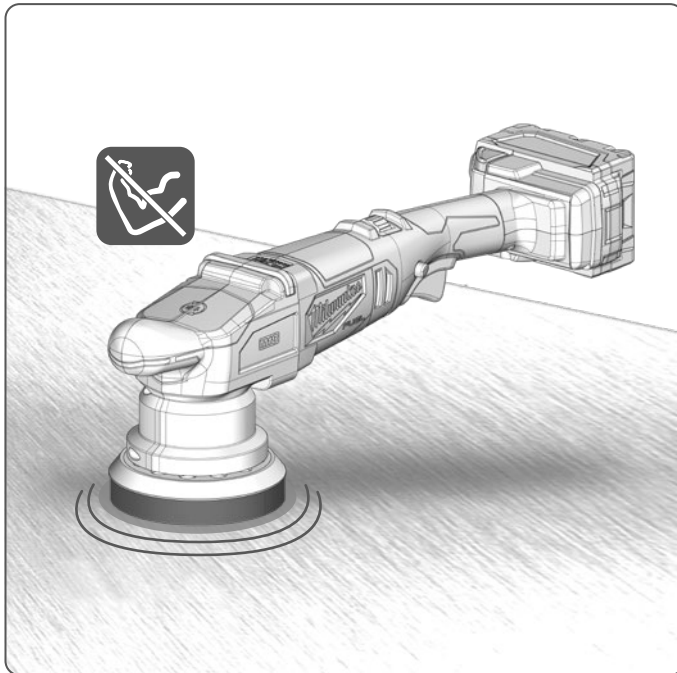


START



STOP





TECHNICAL DATA	M18 FROP15	M18 FROP21
Type	Polisher	Polisher
Production code	4838 77 01 XXXXXX MJJJJ	4911 31 01 XXXXXX MJJJJ
Battery voltage	18 V \approx	18 V \approx
Rated speed	0 - 5100 min ⁻¹	0 - 4500 min ⁻¹
No-load speed	2650 - 5100 min ⁻¹	2400 - 4500 min ⁻¹
Polishing backing pad Diameter	125 mm	150 mm
Polishing pad Diameter max.	125 mm	150 mm
Orbital travel diameter	15 mm	21 mm
Weight according EPTA-Procedure 01/2014 (Li-Ion 2,0 Ah ... 12,0 Ah)	2,9 ... 4,0 kg	3,0 ... 4,2 kg
Recommended Ambient Operating Temperature	-18 ... +50 °C	
Recommended battery types	M18B...; M18HB...	
Recommended charger	M12-18...; M1418C6	
Noise information: Measured values determined according to EN 62841. Typically, the A-weighted noise levels of the tool are:		
Sound pressure level / Uncertainty K	78,0 dB (A) / 3 dB (A)	77,0 dB (A) / 3 dB (A)
Sound power level / Uncertainty K	89,0 dB (A) / 3 dB (A)	88,0 dB (A) / 3 dB (A)
Wear ear protectors!		
Vibration information: Vibration total values (triaxial vector sum) determined according to EN 62841		
Vibration emission value a _n / Uncertainty K	9,7 m/s ² / 1,5 m/s ²	14,7 m/s ² / 1,5 m/s ²

WARNING!

The vibration and noise emission level given in this information sheet has been measured in accordance with a standardized test given in EN 62841 and may be used to compare one tool with another. It may be used for a preliminary assessment of exposure.

The declared vibration and noise emission level represents the main applications of the tool. However if the tool is used for different applications, with different accessories or poorly maintained, the vibration and noise emission may differ. This may significantly increase the exposure level over the total working period.

An estimation of the level of exposure to vibration and noise should also take into account the times when the tool is switched off or when it is running but not actually doing the job. This may significantly reduce the exposure level over the total working period.

Identify additional safety measures to protect the operator from the effects of vibration and/or noise such as: maintain the tool and the accessories, keep the hands warm, organization of work patterns.

WARNING! Read all safety warnings, instructions, illustrations and specifications provided with this power tool. Failure to follow all instructions listed below may result in electric shock, fire and/or serious injury.

Save all warnings and instructions for future reference.

ADDITIONAL SAFETY AND WORKING INSTRUCTIONS

Never reach into the danger area of the machine when it is running. Chips and splinters must not be removed while the machine is running.

Immediately switch off the machine in case of considerable vibrations or if other malfunctions occur. Check the machine in order to find out the cause.

The workpiece must be fixed if it is not heavy enough to be steady.

Do not let any metal parts enter the airing slots - danger of short circuit!

WARNING! To reduce the risk of fire, personal injury, and product damage due to a short circuit, never immerse your tool, battery pack or charger in fluid or allow a fluid to flow inside them. Corrosive or conductive fluids, such as seawater, certain industrial chemicals, and bleach or bleach containing products, etc., Can cause a short circuit.

Never break open battery packs and chargers and store only in dry rooms. Keep dry at all times.

Use only System M18 chargers for charging System M18 battery packs. Do not use battery packs from other systems.

SPECIFIED CONDITIONS OF USE

The polisher can be used for polishing lacquers, coatings, plastics and other smooth surfaces.

Do not use the product in any way other than those stated for intended use.

RESIDUAL RISK

Even when the product is used as prescribed, it is still impossible to completely eliminate certain residual risk factors. The following hazards may arise in use and the operator should pay special attention to avoid the following:

- Injury caused by vibration. Hold the product by designated handles and restrict working time and exposure.
- Exposure to noise can cause hearing injury. Wear ear protection and limit exposure.
- Injury due to flying debris. Wear eye protection, heavy long trousers, gloves and substantial footwear at all times.
- Inhalation of toxic dusts.

NOTES FOR LI-ION BATTERIES

Use of Li-Ion batteries

Battery packs which have not been used for some time should be recharged before use.

Temperatures in excess of 50°C (122°F) reduce the performance of the battery pack. Avoid extended exposure to heat or sunshine (risk of overheating).

The contacts of chargers and battery packs must be kept clean.

For an optimum life-time, the battery packs have to be fully charged, after use.

To obtain the longest possible battery life remove the battery pack from the charger once it is fully charged.

For battery pack storage longer than 30 days:
Store the battery pack where the temperature is below 27°C and away from moisture

Store the battery packs in a 30% - 50% charged condition
Every six months of storage, charge the pack as normal.

Battery protection for Li-Ion batteries

In extremely high torque, binding, stalling and short circuit situations that cause high current draw, the tool will vibrate for about 5 seconds, the fuel gauge will flash, and then the tool will turn OFF.

To reset, release the trigger. Under extreme circumstances, the internal temperature of the battery pack could raise too much. If this happens, the fuel gauge will flash until the battery pack cooled down. After the lights go off, the work may continue.

Transporting Lithium Batteries

Lithium-ion batteries are subject to the Dangerous Goods Legislation requirements.

Transportation of those batteries has to be done in accordance with local, national and international provisions and regulations.

The user can transport the batteries by road without further requirements.

Commercial transport of Lithium-Ion batteries by third parties is subject to Dangerous Goods regulations. Transport preparation and transport are exclusively to be carried out by appropriately trained persons and the process has to be accompanied by corresponding experts.

When transporting batteries:

Ensure that battery contact terminals are protected and insulated to prevent short circuit.

Ensure that battery pack is secured against movement within packaging. Do not transport batteries that are cracked or leak. Check with forwarding company for further advice.

WORKING INSTRUCTIONS

Always use the handles for proper control. Move the polisher back and forth in long, sweeping strokes. Too much pressure, the wrong angle or improper motion may cause swirl marks or burning.

For detailed polishing instructions, read the instructions provided with the finishes, waxes and polishes.

WARNING! To reduce the risk of injury, follow instructions for preventing snagging. Snagging may cause the tool to kick back and the operator to suddenly lose control of the tool. Always use pommel handle to maintain control.

Preventing Snagging

Snagging occurs when polishing pads get caught on rough edges of a work surface. Snagging can cause the tool to suddenly "kick back" and it may cause the pad to burn through the paint. To reduce the risk of snagging, use the polisher at low speeds when polishing rough surfaces. For tricky areas such as near trim or between a mirror and window on a car, do not take chances with a polisher. Polish these surfaces by hand.

CLEANING

The ventilation slots of the machine must be kept clear at all times.

MAINTENANCE

Use only Milwaukee accessories and Milwaukee spare parts. Should components need to be replaced which have not been described, please contact one of our Milwaukee service agents (see our list of guarantee/service addresses).

If needed, an exploded view of the tool can be ordered. Please state the Article No. as well as the machine type printed on the label and order the drawing at your local service agents or directly at: Techtronic Industries GmbH, Max-Eyth-Straße 10, 71364 Winnenden, Germany.

SYMBOLS



Please read the instructions carefully before starting the machine.



CAUTION! WARNING! DANGER!



Remove the battery pack before starting any work on the appliance.



Do not use force.



Always wear goggles when using the machine.



Dust Filter



Accessory - Not included in standard equipment, available as an accessory.



Do not dispose electric tools, batteries/rechargeable batteries together with household waste material. Electric tools and batteries that have reached the end of their life must be collected separately and returned to an environmentally compatible recycling facility. Check with your local authority or retailer for recycling advice and collection point.



No-load speed



Voltage



European Conformity Mark



British Conformity Mark



Ukraine Conformity Mark



EurAsian Conformity Mark

TECHNISCHE DATEN	M18 FROP15	M18 FROP21
Bauart	Polierer	Polierer
Produktionsnummer	4838 77 01 XXXXXX MJJJJ	4911 31 01 XXXXXX MJJJJ
Spannung Wechselakku	18 V \approx	18 V \approx
Nenn Drehzahl	0 - 5100 min ⁻¹	0 - 4500 min ⁻¹
Leerlaufdrehzahl	2650 - 5100 min ⁻¹	2400 - 4500 min ⁻¹
Polierteller Durchmesser	125 mm	150 mm
Polierpad Durchmesser max.	125 mm	150 mm
Schwingkreis- \emptyset	15 mm	21 mm
Gewicht nach EPTA-Prozedur 01/2014 (Li-Ion 2,0 Ah ... 12,0 Ah)	2,9 ... 4,0 kg	3,0 ... 4,2 kg
Empfohlene Umgebungstemperatur für den Betrieb	-18 ... +50 °C	
Empfohlene Akku Typen	M18B...; M18HB...	
Empfohlene Ladegeräte	M12-18...; M1418C6	
Geräuschinformation: Messwerte ermittelt entsprechend EN 62841. Der A-bewertete Geräuschpegel des Gerätes beträgt typischerweise:		
Schalldruckpegel / Unsicherheit K	78,0 dB (A) / 3 dB (A)	77,0 dB (A) / 3 dB (A)
Schalleistungspegel / Unsicherheit K	89,0 dB (A) / 3 dB (A)	88,0 dB (A) / 3 dB (A)
Gehörschutz tragen!		
Vibrationsinformationen: Schwingungsgesamtwerte (Vektorsumme dreier Richtungen) ermittelt entsprechend EN 62841.		
Schwingungsemissionswert a _n / Unsicherheit K	9,7 m/s ² / 1,5 m/s ²	14,7 m/s ² / 1,5 m/s ²

⚠️ WARNUNG!

Die angegebenen Schwingungsgesamtwerte und Geräuschemissionswerte wurden nach einem genormten Messverfahren gemäß EN 62841 gemessen und können für den Vergleich von Elektrowerkzeugen miteinander verwendet werden. Sie können für eine vorläufige Einschätzung der Belastung verwendet werden.

Der angegebene Schwingungs- und Geräuschemissionspegel repräsentiert die hauptsächlichlichen Anwendungen des Elektrowerkzeugs. Wenn allerdings das Elektrowerkzeug für andere Anwendungen, mit abweichenden Einsatzwerkzeugen oder ungenügender Wartung eingesetzt wird, können sich die Schwingungs- und Geräuschemissionen unterscheiden. Dies kann deren Wirkung über den gesamten Arbeitszeitraum deutlich erhöhen.

Bei der Abschätzung der Belastung durch Schwingungen und Lärm sollten auch die Zeiten berücksichtigt werden, in denen das Elektrowerkzeug ausgeschaltet ist oder zwar läuft, aber keine tatsächliche Arbeit verrichtet wird. Dies kann deren Wirkung über den gesamten Arbeitszeitraum deutlich reduzieren.

Legen Sie zusätzliche Sicherheitsmaßnahmen zum Schutz des Bedieners vor den Auswirkungen von Schwingungen- und / oder Lärm fest, wie z. B.: Wartung des Werkzeugs und des Zubehörs, Warmhalten der Hände, Organisation der Arbeitsabläufe.

⚠️ WARNUNG! Lesen Sie alle Sicherheitshinweise, Anweisungen, Bebilderungen und technischen Daten, mit denen dieses Elektrowerkzeug versehen ist. Versäumnisse bei der Einhaltung der nachfolgenden Anweisungen können elektrischen Schlag, Brand und/oder schwere Verletzungen verursachen.

Bewahren Sie alle Sicherheitshinweise und Anweisungen für die Zukunft auf.

WEITERE SICHERHEITS- UND ARBEITSHINWEISE

Nicht in den Gefahrenbereich der laufenden Maschine greifen.

Späne oder Splitter dürfen bei laufender Maschine nicht entfernt werden.

Gerät sofort ausschalten, wenn beträchtliche Schwingungen auftreten oder andere Mängel festgestellt werden. Überprüfen Sie die Maschine, um die Ursache festzustellen.

Das zu bearbeitende Werkstück muss festgespannt werden, sofern es nicht durch sein Eigengewicht hält.

Wegen Kurzschlussgefahr dürfen Metallteile nicht in die Lüftungsschlitze gelangen.

WARNUNG! Um die durch einen Kurzschluss verursachte Gefahr eines Brandes, von Verletzungen oder Produktbeschädigungen zu vermeiden, tauchen Sie das Werkzeug, den Wechselakku oder das Ladegerät nicht in Flüssigkeiten ein und sorgen Sie dafür, dass keine Flüssigkeiten in die Geräte und Akkus eindringen. Korrodierende oder leitfähige Flüssigkeiten, wie Salzwasser, bestimmte Chemikalien und Bleichmittel oder Produkte, die Bleichmittel enthalten, können einen Kurzschluss verursachen.

Wechselakkus und Ladegeräte nicht öffnen und nur in trockenen Räumen lagern. Vor Nässe schützen.

Wechselakkus des Systems M18 nur mit Ladegeräten des Systems M18 laden. Keine Akkus aus anderen Systemen laden.

BESTIMMUNGSGEMÄSSE VERWENDUNG

Der Polierer ist einsetzbar zum Polieren von Lacken, Beschichtungen, Kunststoffen und anderen glatten Oberflächen. Verwenden Sie das Produkt nur für den bestimmungsgemäßen Gebrauch.

RESTRIKTIKEN

Auch bei ordnungsgemäßer Verwendung können nicht alle Restriktionen ausgeschlossen werden. Beim Gebrauch können folgende Gefahren entstehen, auf die der Bediener besonders achten sollte:

- Durch Vibration verursachte Verletzungen. Halten Sie das Gerät an den dafür vorgesehenen Griffen und begrenzen Sie die Arbeits- und Expositionszeit.
- Lärmbelastung kann zu Gehörschädigungen führen. Tragen Sie einen Gehörschutz und schränken Sie die Expositionsdauer ein.
- Durch Schmutzpartikel verursachte Augenverletzungen. Tragen Sie immer eine Schutzbrille, feste lange Hosen, Handschuhe und festes Schuhwerk.
- Einatmen von giftigen Stäuben.

HINWEISE FÜR LI-ION-AKKUS

Gebrauch von Li-Ion-Akkus

Längere Zeit nicht benutzte Wechselakkus vor Gebrauch nachladen. Eine Temperatur über 50°C vermindert die Leistung des Wechselakkus. Längere Erwärmung durch Sonne oder Heizung vermeiden.

Die Anschlusskontakte an Ladegerät und Wechselakku sauber halten.

Für eine optimale Lebensdauer müssen nach dem Gebrauch die Akkus voll geladen werden. Für eine möglichst lange Lebensdauer sollten die Akkus nach dem Aufladen aus dem Ladegerät entfernt werden.

Bei Lagerung des Akkus länger als 30 Tage:

Akku bei ca. 27°C und trocken lagern.

Akku bei ca. 30%-50% des Ladezustandes lagern.

Akku alle 6 Monate erneut aufladen.

Akkuüberlastschutz bei Li-Ion-Akkus

Bei Überlastung des Akkus durch sehr hohen Stromverbrauch, z. B. extrem hohe Drehmomente, plötzlichem Stopp oder Kurzschluss, vibriert das Elektrowerkzeug 5 Sekunden lang, die Ladeanzeige blinkt und das Elektrowerkzeug schaltet sich selbsttätig ab.

Zum Wiedereinschalten, den Schalterdrücker loslassen und dann wieder einschalten. Unter extremen Belastungen erhitzt sich der Akku zu stark. In diesem Fall blinken alle Lampen der Ladeanzeige bis der Akku abgekühlt ist. Nach Erlöschen der Ladeanzeige kann weitergearbeitet werden.

Transport von Lithium-Ionen-Akkus

Lithium-Ionen-Akkus fallen unter die gesetzlichen Bestimmungen zum Gefahrguttransport.

Der Transport dieser Akkus muss unter Einhaltung der lokalen, nationalen und internationalen Vorschriften und Bestimmungen erfolgen.

Verbraucher dürfen diese Akkus ohne Weiteres auf der Straße transportieren.

Der kommerzielle Transport von Lithium-Ionen-Akkus durch Speditionunternehmen unterliegt den Bestimmungen des Gefahrguttransports. Die Versandvorbereitungen und der Transport dürfen ausschließlich von entsprechend geschulten Personen durchgeführt werden. Der gesamte Prozess muss fachmännisch begleitet werden.

Folgende Punkte sind beim Transport von Akkus zu beachten:

Stellen Sie sicher, dass die Kontakte geschützt und isoliert sind, um Kurzschlüsse zu vermeiden.

Achten Sie darauf, dass der Akkupack innerhalb der Verpackung nicht verrutschen kann. Beschädigte oder auslaufende Akkus dürfen nicht transportiert werden. Wenden Sie sich für weitere Hinweise an Ihr Speditionunternehmen.

ARBEITSHINWEISE

Benutzen Sie zur richtigen Kontrolle immer die Griffe. Bewegen Sie den Polierer in langen, schwingvollen Zügen hin und her. Zu viel Druck, ein falscher Winkel oder eine unsachgemäße Bewegung kann zu Wirbelschmerzen oder Verbrennungen führen.

Detaillierte Anweisungen zum Polieren finden Sie in den Anleitungen, die den Lacken, Wachsen und Polituren beiliegen.

WARNUNG! Befolgen Sie die Anweisungen, um die Verletzungsgefahr zu verringern und zu verhindern, dass das Werkzeug hängen bleibt. Wenn es hängen bleibt, könnte das Werkzeug zurückschlagen, sodass der Bediener plötzlich die Kontrolle über das Werkzeug verliert. Verwenden Sie immer den Knaufgriff, um die Kontrolle zu behalten.

Hängenbleiben verhindern

Das Werkzeug kann hängen bleiben, wenn sich die Polierpads an den rauen Kanten einer Arbeitsfläche verfangen. Ein Hängenbleiben kann dazu führen, dass das Werkzeug plötzlich „zurückschlägt“ und das Pad durch den Lack brennt. Um das Risiko des Hängenbleibens zu verringern, verwenden Sie den Polierer beim Polieren rauer Oberflächen mit niedriger Drehzahl. Gehen Sie bei schwierigen Stellen, z. B. in der Nähe von Zierleisten oder zwischen Spiegel und Fenster eines Autos, nicht das Risiko ein, einen Polierer zu verwenden. Polieren Sie diese Flächen mit der Hand.

REINIGUNG

Stets die Lüftungsschlitze der Maschine sauber halten.

WARTUNG

Nur Milwaukee Zubehör und Milwaukee Ersatzteile verwenden. Bauteile, deren Austausch nicht beschrieben wurde, bei einer Milwaukee Kundendienststelle auswechseln lassen (Broschüre Garantie/Kundendienstadressen beachten).

Bei Bedarf kann eine Explosionszeichnung des Gerätes unter Angabe der Maschinen Type und der sechsstelligen Nummer auf dem Leistungsschild bei Ihrer Kundendienststelle oder direkt bei Techtronic Industries GmbH, Max-Eyth-Straße 10, 71364 Winnenden, Germany angefordert werden.

SYMBOLS

	Bitte lesen Sie die Gebrauchsanweisung vor Inbetriebnahme sorgfältig durch.
	ACHTUNG! WARNUNG! GEFÄHR!
	Vor allen Arbeiten am Gerät den Wechselakku herausnehmen.
	Keine Kraft anwenden.
	Beim Arbeiten mit der Maschine stets Schutzbrille tragen.
	Staubfilter
	Zubehör - Im Lieferumfang nicht enthalten, empfohlene Ergänzung aus dem Zubehörprogramm.
	Elektrogeräte, Batterien/Akkus dürfen nicht zusammen mit dem Hausmüll entsorgt werden. Elektrische Geräte und Akkus sind getrennt zu sammeln und zur umweltgerechten Entsorgung bei einem Verwertungsbetrieb abzugeben. Erkundigen Sie sich bei den örtlichen Behörden oder bei Ihrem Fachhändler nach Recyclinghöfen und Sammelstellen.
n_0	Leerlaufdrehzahl
V	Spannung
	Gleichstrom
	Europäisches Konformitätszeichen
	Britisches Konformitätszeichen
	Ukrainisches Konformitätszeichen
	Euroasiatisches Konformitätszeichen

CARACTÉRISTIQUES TECHNIQUES	M18 FROP15	M18 FROP21
Type	Polisseuse	Polisseuse
Numéro de série	4838 77 01 XXXXXX MJJJJ	4911 31 01 XXXXXX MJJJJ
Tension accu interchangeable	18 V \approx	18 V \approx
Vitesse de rotation nominale	0 - 5100 min ⁻¹	0 - 4500 min ⁻¹
Vitesse de rotation à vide	2650 - 5100 min ⁻¹	2400 - 4500 min ⁻¹
Disque de polissage Diamètre	125 mm	150 mm
Disque à polir Diamètre max.	125 mm	150 mm
Diamètre d'oscillation	15 mm	21 mm
Poids suivant EPTA-Procédure 01/2014 (Li-Ion 2,0 Ah ... 12,0 Ah)	2,9 ... 4,0 kg	3,0 ... 4,2 kg
Température ambiante conseillée pour le fonctionnement	-18 ... +50 °C	
Batteries conseillées	M18B...; M18HB...	
Chargeurs conseillés	M12-18...; M1418C6	

Informations sur le bruit: Valeurs de mesure obtenues conformément à la EN 62841.
Les mesures réelles (des niveaux acoustiques de l'appareil sont :
Niveau de pression acoustique / Incertitude K 78,0 dB (A) / 3 dB (A) 77,0 dB (A) / 3 dB (A)
Niveau d'intensité acoustique / Incertitude K 89,0 dB (A) / 3 dB (A) 88,0 dB (A) / 3 dB (A)

Toujours porter une protection acoustique!

Informations sur les vibrations: Valeurs totales des vibrations (somme vectorielle de trois sens) établies conformément à EN 62841.
Valeur d'émission vibratoire a_h / Incertitude K 9,7 m/s² / 1,5 m/s² 14,7 m/s² / 1,5 m/s²

AVERTISSEMENT!

Le niveau de vibration et d'émissions sonores indiqué dans cette fiche de données a été mesuré en respect d'une méthode standard de test selon la norme EN 62841 et peut être utilisé pour comparer les outils entre eux. Il peut être utilisé pour évaluation préliminaire de l'exposition.

Le niveau de vibration et d'émissions sonores déclaré correspond à l'application principale de l'outil. Cependant, si l'outil est utilisé pour des applications différentes, avec différents accessoires ou est mal entretenu, les vibrations et les émissions sonores peuvent différer. Cela peut augmenter considérablement le niveau d'exposition au cours de la période de travail totale.

Une estimation du niveau d'exposition aux vibrations et au bruit devrait également tenir compte des temps d'arrêt de l'outil ou des périodes où il est en marche mais n'effectue pas réellement le travail. Cela peut réduire considérablement le niveau d'exposition au cours de la période de travail totale.

Identifier des mesures de sécurité supplémentaires pour protéger l'opérateur des effets des vibrations et/ou du bruit tels que : l'entretien de l'outil et des accessoires, le maintien au chaud des mains, l'organisation des processus de travail.

AVERTISSEMENT! Lisez toutes les consignes de sécurité, instructions, présentations et données que vous recevez avec l'appareil. Le fait de ne pas suivre toutes les instructions données cidessous peut provoquer un choc électrique, un incendie et/ou une blessure grave.

Bien garder tous les avertissements et instructions.

AVIS COMPLÉMENTAIRES DE SÉCURITÉ ET DE TRAVAIL

Ne jamais intervenir dans la zone dangereuse lorsque la machine est en marche.

Ne jamais enlever les copeaux ni les éclats lorsque la machine est en marche.

Arrêter la machine tout de suite lorsqu'il y a des vibrations importantes ou que d'autres défauts surgissent. Contrôler la machine afin d'en trouver les causes.

La pièce à travailler doit être fortement serrée lorsque son propre poids ne suffit pas à la maintenir.

En raison de risques de court-circuit, veiller à ce qu'aucune pièce métallique ne pénètre dans les ouïes de ventilation.

AVERTISSEMENT! Pour réduire le risque d'incendie, de blessures corporelles et de dommages causés par un court-circuit, ne jamais immerger l'outil, le bloc-piles ou le chargeur dans un liquide ou laisser couler un fluide à l'intérieur de celui-ci. Les fluides corrosifs ou conducteurs, tels que l'eau de mer, certains produits chimiques industriels, les produits de blanchiment ou de blanchiment, etc., peuvent provoquer un court-circuit.

Ne pas ouvrir les accus interchangeables et les chargeurs et ne les stocker que dans des locaux secs. Les protéger contre l'humidité.

Ne charger les accus interchangeables du système M18 qu'avec le chargeur d'accus du système M18. Ne pas charger des accus d'autres systèmes.

UTILISATION CONFORME AUX PRESCRIPTIONS

La ponceuse peut être utilisée pour le polissage de vernis, de revêtements, de matières synthétiques et autres surfaces planes.

Ne pas utiliser le produit d'une autre manière que celle indiquée pour l'usage auquel il est destiné.

RISQUES RÉSIDUELS

Même en cas d'utilisation correcte, il n'est pas possible d'exclure tous les risques résiduels. Lors de l'utilisation, les risques suivants pourront être présents et l'utilisateur devra prêter une attention particulière en vue de les éviter :

- Blessures causées par les vibrations. Tenir le dispositif à l'aide de ses poignées et limiter les temps de travail et d'exposition.
- L'exposition au bruit peut causer des dommages auditifs. Porter une protection auditive et limiter la durée de l'exposition.
- Lésions oculaires causées par des particules de déchets. Toujours porter des lunettes de sécurité, de pantalon long lourd, des gants et des chaussures robustes.
- Inhalation de gaz toxiques.

REMARQUE CONCERNANT LES ACCUS LI-ION

Utilisation d'accus Li-Ion

Recharger les accus avant utilisation après une longue période de non utilisation.

Une température supérieure à 50°C amoindrit la capacité des accus. Éviter les expositions prolongées au soleil ou au chauffage.

Tenir propres les contacts des accus et des chargeurs.

Pour une durée de vie optimale, les accus doivent être chargés à fond après l'utilisation.

Pour une plus longue durée de vie, enlever les batteries du chargeur de batterie quand celles-ci seront chargées.

En cas d'entreposage de la batterie pour plus de 30 jours: Entreposer la batterie à 27°C environ dans un endroit sec. Entreposer la batterie avec une charge d'environ 30% - 50%. Recharger la batterie tous les 6 mois.

Protection des accus Li-Ion

En cas d'une surcharge de l'accu à cause d'une très haute consommation de courant, par exemple suite à des couples extrêmement élevés, un arrêt soudain ou un court-circuit, l'outil électrique vibre pendant 5 secondes, l'indicateur de charge clignote et l'outil électrique se déconnecte automatiquement.

Pour le ré-enclencher, relâcher le poussoir de l'interrupteur, puis enclencher à nouveau l'appareil. Sous des sollicitations extrêmes, l'accu s'échauffe trop fortement. Dans ce cas, tous les témoins de l'indicateur de charge clignotent jusqu'à ce que l'accu se soit refroidi. Il est possible de continuer à travailler dès que l'indicateur de charge s'est éteint.

Transport de batteries lithium-ion

Les batteries lithium-ion sont soumises aux dispositions législatives concernant le transport de produits dangereux.

Le transport de ces batteries devra s'effectuer dans le respect des dispositions et des normes locales, nationales et internationales.

Les utilisateurs peuvent transporter ces batteries sans restrictions.

Le transport commercial de batteries lithium-ion est réglé par les dispositions concernant le transport de produits dangereux. La préparation au transport et le transport devront être effectués uniquement par du personnel formé de façon adéquate. Tout le procédé devra être géré d'une manière professionnelle.

Durant le transport de batteries il faut respecter les consignes suivantes :

S'assurer que les contacts soient protégés et isolés en vue d'éviter des courts-circuits.

S'assurer que le groupe de batteries ne puisse pas se déplacer à l'intérieur de son emballage. Des batteries endommagées ou des batteries perdant du liquide ne doivent pas être transportées. Pour tout renseignement complémentaire veuillez vous adresser à votre transporteur professionnel.

CONSIGNES DE TRAVAIL

Utilisez toujours les poignées pour bien contrôler l'outil. Déplacez la polisseuse d'avant en arrière en effectuant de longs mouvements de balayage. Une pression trop forte, un mauvais angle ou un mouvement inapproprié peuvent provoquer des marques d'orbite ou des brûlures.

Pour des instructions détaillées sur le polissage, lisez les instructions fournies avec les produits de finition, les cires et les polish.

AVERTISSEMENT! Pour réduire le risque de blessure, suivez les instructions pour éviter les accrochages. L'accrochage peut provoquer un recul de l'outil et une perte soudaine de contrôle de l'outil par l'opérateur. Utilisez toujours la poignée du pommeau pour garder le contrôle.

Éviter l'accrochage

L'accrochage se produit lorsque les tampons de polissage se coincent sur les bords rugueux d'une surface de travail. L'accrochage peut entraîner un « recul » soudain de l'outil et le tampon peut brûler la peinture. Pour réduire le risque d'accrochage, utilisez la polisseuse à basse vitesse pour polir les surfaces rugueuses. Pour les zones délicates, comme près des bordures ou entre un rétroviseur et une fenêtre de voiture, ne prenez pas de risques avec une polisseuse. Polissez ces surfaces à la main.

LAVAGE

Tenir toujours propres les orifices de ventilation de la machine.

ENTRETIEN

Utiliser uniquement les accessoires Milwaukee et les pièces détachées Milwaukee. Faire remplacer les composants dont le remplacement n'a pas été décrit, par un des centres de service après-vente Milwaukee (observer la brochure avec les adresses de garantie et de service après-vente).

Si besoin est, une vue éclatée de l'appareil peut être fournie. S'adresser, en indiquant bien le numéro porté sur la plaque signalétique, à votre station de service après-vente (voir liste jointe) ou directement à Techtronic Industries GmbH, Max-Eyth-Straße 10, 71364 Winnenden, Germany.

SYMBOLES

	Veuillez lire avec soin le mode d'emploi avant la mise en service
	ATTENTION! AVERTISSEMENT! DANGER!
	Avant tous travaux sur l'appareil retirer l'accu interchangeable.
	Ne pas appliquer de la force.
	Toujours porter des lunettes protectrices en travaillant avec la machine.
	Filter à poussière
	Accessoires - Ces pièces ne font pas partie de la livraison. Il s'agit là de compléments recommandés pour votre machine et énumérés dans le catalogue des accessoires.
	Les dispositifs électriques, les batteries et les batteries rechargeables ne sont pas à éliminer dans les déchets ménagers. Les dispositifs électriques et les batteries sont à collecter séparément et à remettre à un centre de recyclage en vue de leur élimination dans le respect de l'environnement. S'adresser aux autorités locales ou au détaillant spécialisé en vue de connaître l'emplacement des centres de recyclage et des points de collecte.
n_0	Vitesse de rotation à vide
V	Tension
	Courant continu
	Marque de conformité européenne
	Marque de conformité britannique
	Marque de conformité ukrainienne
	Marque de conformité d'Eurasie

DATI TECNICI	M18 FROP15	M18 FROP21
Tipo di costruzione	Lucidatrice	Lucidatrice
Numero di serie	4838 77 01 XXXXXX MJJJJ	4911 31 01 XXXXXX MJJJJ
Tensione batteria	18 V ~	18 V ~
Numero giri nominale	0 - 5100 min ⁻¹	0 - 4500 min ⁻¹
Numero di giri a vuoto	2650 - 5100 min ⁻¹	2400 - 4500 min ⁻¹
Piatto di lucidatura Diametro	125 mm	150 mm
Disco lucidante Diametro max.	125 mm	150 mm
Diametro orbite	15 mm	21 mm
Peso secondo la procedura EPTA 01/2014 (Li-Ion 2,0 Ah ... 12,0 Ah)	2,9 ... 4,0 kg	3,0 ... 4,2 kg
Temperatura ambiente consigliata per il funzionamento	-18 ... +50 °C	
Batterie consigliate	M18B...; M18HB...	
Caricatori consigliati	M12-18...; M1418C6	

Informazioni sulla rumorosità: Valori misurati conformemente alla norma EN 62841.

La misurazione A del livello di pressione acustica dell'utensile è di solito di:

Livello di rumorosità / Incertezza della misura K	78,0 dB (A) / 3 dB (A)	77,0 dB (A) / 3 dB (A)
Potenza della rumorosità / Incertezza della misura K	89,0 dB (A) / 3 dB (A)	88,0 dB (A) / 3 dB (A)

Utilizzare le protezioni per l'udito!

Informazioni sulle vibrazioni: Valori totali delle oscillazioni (somma di vettori in tre direzioni) misurati conformemente alla norma EN 62841

Valore di emissione dell'oscillazione a _v / Incertezza della misura K	9,7 m/s ² / 1,5 m/s ²	14,7 m/s ² / 1,5 m/s ²
--	---	--

AVVERTENZA!

Il/i valore/i di emissione acustica riportato/i in questa scheda informativa sono stati misurati conformemente a un metodo di prova standard sulla base della norma EN 62841 e possono essere utilizzati per confrontare gli utensili tra loro. Può/possono essere utilizzato/i anche per una valutazione preliminare dell'esposizione.

Il livello di vibrazione ed emissione acustica dichiarato rappresenta le applicazioni principali dell'utensile. Tuttavia, se l'utensile è utilizzato per applicazioni diverse, con accessori differenti o una manutenzione non adeguata, la vibrazione e l'emissione acustica potrebbero variare. Ciò può aumentare significativamente il livello di esposizione durante l'intera durata del lavoro.

Una stima del livello di esposizione alle vibrazioni e al rumore dovrebbe tenere conto anche dei periodi in cui l'utensile è spento o è in funzione ma non sta lavorando. Ciò può ridurre significativamente il livello di esposizione durante l'intera durata del lavoro.

Identificare le misure di sicurezza supplementari per proteggere l'operatore dagli effetti delle vibrazioni e/o del rumore, ad esempio eseguendo la manutenzione dell'utensile e degli accessori, mantenendo le mani calde e organizzando gli schemi di lavoro.

AVVERTENZA! Leggere tutte le avvertenze di sicurezza, le istruzioni, le illustrazioni e i dati forniti a corredo dell'apparecchio. In caso di mancata osservanza delle seguenti istruzioni vi è il pericolo di provocare una scossa elettrica, di sviluppare incendi e/o di provocare seri incidenti.

Conservare tutte le avvertenze di pericolo e le istruzioni operative per ogni esigenza futura.

ULTERIORI AVVISI DI SICUREZZA E DI LAVORO

Non entrare nel raggio d'azione dell'utensile mentre è in funzione.

Non rimuovere trucioli o schegge mentre l'utensile è in funzione.

Disinserire immediatamente la macchina in caso che si verificano delle forti oscillazioni oppure se si riscontrano altri difetti. Controllare la macchina per cercare di identificarne le cause.

Il pezzo in lavorazione deve essere ben bloccato in posizione a meno che non resti stabile per via del proprio peso.

Non lasciare che nessuna parte metallica venga a contatto con l'apertura dell'areazione - pericolo di corto circuito

AVVERTENZA! Per ridurre il rischio d'incendio, di lesioni o di danni al prodotto causati da corto circuito, non immergere mai l'utensile, la batteria ricaricabile o il carica batterie in un liquido e non lasciare mai penetrare alcun liquido all'interno dei dispositivi e delle batterie. I fluidi corrosivi o conduttori come acqua salata, alcuni agenti chimici, agenti candeggianti o prodotti contenenti agenti candeggianti potrebbero provocare un corto circuito.

Non aprire né la batteria né il caricatore e conservarli solo in luogo asciutto. Proteggerli dalla umidità.

Le batterie del System M18 sono ricaricabili esclusivamente con i caricatori del System M18. Le batterie di altri sistemi non possono essere ricaricate.

UTILIZZO CONFORME

Il lucidatore può essere usato per lucidare vernici, rivestimenti, plastiche o altre superfici lisce.

Non utilizzare il prodotto in altri modi diversi da quelli indicati per l'uso previsto.

RISCHI RESIDUI

Anche in caso di utilizzo corretto non è possibile escludere tutti i rischi residui. Durante l'uso possono esistere i seguenti pericoli e l'utilizzatore deve porre particolare attenzione per evitarli:

- Lesioni causate da vibrazioni. Tenere il dispositivo sulle apposite impugnature e limitare i tempi di lavoro e di esposizione.
- L'esposizione al rumore può causare danni all'udito. Indossare una protezione per l'udito e limitare la durata dell'esposizione.
- Lesioni agli occhi causate da particelle di detriti. Indossare sempre occhiali di protezione, pantaloni lunghi pesanti, guanti e scarpe robuste.
- Inalazione di polveri tossiche.

NOTE PER BATTERIE AGLI IONI DI LITIO

Uso di batterie agli ioni di litio

Batterie non utilizzate per molto tempo devono essere ricaricate prima dell'uso.

A temperature superiori ai 50°C, la potenza della batteria si riduce. Evitare di esporre l'accumulatore a surriscaldamento prolungato, dovuto ad esempio ai raggi del sole o ad un impianto di riscaldamento.

Per una ottimale vita utile è necessario ricaricare completamente le batterie dopo l'uso.

Per una più lunga durata, rimuovere le batterie dal caricabatterie quando saranno cariche.

In caso di immagazzinaggio della batteria per più di 30 giorni: Immagazzinare la batteria a circa 27°C in ambiente asciutto. Immagazzinare la batteria con carica di circa il 30% - 50%. Ricaricare la batteria ogni 6 mesi.

Protezione contro il sovraccarico di batterie agli ioni di litio

In caso di sovraccarico dell'accumulatore dovuto ad un consumo molto elevato di corrente, ad es. momenti di coppia estremamente elevati, arresto improvviso o corto circuito, l'utensile elettrico vibra per 5 secondi, il display di carica lampeggia e l'elettrotensile si spegne automaticamente.

Per riaccenderlo rilasciare l'interruttore e poi riaccenderlo. Se sottoposto a sollecitazioni estreme l'accumulatore si riscalda eccessivamente. In questo caso lampeggiano tutte le spie del display di carica finché l'accumulatore non è raffreddato. Quando il display di carica si spegne si può continuare a lavorare.

Trasporto di batterie agli ioni di litio

Le batterie agli ioni di litio sono soggette alle disposizioni di legge sul trasporto di merce pericolosa.

Il trasporto di queste batterie deve avvenire rispettando le disposizioni e norme locali, nazionali ed internazionali.

Gli utilizzatori possono trasportare queste batterie su strada senza alcuna restrizione.

Il trasporto commerciale di batterie agli ioni di litio è regolato dalle disposizioni sul trasporto di merce pericolosa. Le preparazioni al trasporto ed il trasporto stesso devono essere svolti esclusivamente da persone idoneamente istruite. Tutto il processo deve essere gestito in maniera professionale.

Durante il trasporto di batterie occorre tenere conto di quanto segue:

Assicurarsi che i contatti siano protetti ed isolati per evitare corto circuiti.

Accertarsi che il gruppo di batterie non possa spostarsi all'interno dell'imballaggio. Batterie danneggiate o batterie che perdono liquido non devono essere trasportate. Per ulteriori informazioni si prega di contattare il proprio trasportatore.

ISTRUZIONI DI LAVORO

Utilizzare sempre le maniglie per un controllo adeguato. Muovere la lucidatrice avanti e indietro con colpi lunghi e ampi. Una pressione eccessiva, un'angolazione sbagliata o un movimento improprio possono causare segni di vortici o bruciature.

Per istruzioni dettagliate sulla lucidatura, leggere le istruzioni fornite con le finiture, le cere e i lucidi.

AVVERTENZA! Per ridurre il rischio di ferite, seguire le istruzioni volte a prevenire il rischio di impigliamento. L'impigliamento può causare un contraccolpo dell'utensile e l'improvvisa perdita di controllo da parte dell'operatore. Usare sempre l'impugnatura a pomello per mantenere il controllo.

Prevenire l'impigliamento

L'impigliamento si verifica quando i tamponi di lucidatura si impigliano sui bordi ruvidi di una superficie di lavoro. L'impigliamento può causare l'improvviso "contraccolpo" dell'utensile e può far sì che il tampone bruci la vernice. Per ridurre il rischio di impigliamento, utilizzare la lucidatrice a bassa velocità quando si lucidano superfici ruvide. Per le aree difficili, come quelle in prossimità di un taglio o tra uno specchio e il finestrino di un'auto, non correre rischi utilizzando una lucidatrice, ma lucidare queste superfici a mano.

LAVAGGIO E PULIZIA

Tener sempre ben pulite le fessure di ventilazione dell'apparecchio.

MANUTENZIONE

Usare solo accessori Milwaukee e pezzi di ricambio Milwaukee. Gruppi costruttivi la cui sostituzione non è stata descritta, devono essere fatti cambiare da un punto di servizio di assistenza tecnica al cliente Milwaukee (vedi depliant garanzia/indirizzi assistenza tecnica ai clienti).

In caso di mancanza del disegno esplosivo, può essere richiesto al seguente indirizzo: Techtron Industries GmbH, Max-Eyth-Straße 10, 71364 Winnenden, Germany.

SIMBOLI

	Leggere attentamente le istruzioni per l'uso prima di mettere in funzione l'elettrotensile.
	ATTENZIONE! AVVERTENZA! PERICOLO!
	Prima di iniziare togliere la batteria dalla apparecchiatura.
	Non applicare forza.
	Durante l'uso dell'apparecchio utilizzare sempre gli occhiali di protezione.
	Filtro anti-polvere
	Accessorio - Non incluso nella dotazione standard, disponibile a parte come accessorio.
	I dispositivi elettrici, le batterie e le batterie ricaricabili non devono essere smaltiti con i rifiuti domestici. I dispositivi elettrici e le batterie devono essere raccolti separatamente e devono essere conferiti ad un centro di riciclaggio per lo smaltimento rispettoso dell'ambiente. Chiedere alle autorità locali o al rivenditore specializzato dove si trovano i centri di riciclaggio e i punti di raccolta.
n_0	Numero di giri a vuoto
V	Voltaggio
	Corrente continua
	Marchio di conformità europeo
	Marchio di conformità britannico
	Marchio di conformità ucraino
	Marchio di conformità euroasiatico

DATOS TÉCNICOS	M18 FROP15	M18 FROP21
Tipo de construcción	Pulidora	Pulidora
Número de producción	4838 77 01 XXXXXX MJJJJ	4911 31 01 XXXXXX MJJJJ
Voltaje de batería	18 V \approx	18 V \approx
Revoluciones nominales	0 - 5100 min ⁻¹	0 - 4500 min ⁻¹
Velocidad en vacío	2650 - 5100 min ⁻¹	2400 - 4500 min ⁻¹
Plato de pulido Diámetro	125 mm	150 mm
Almohadilla de pulido Diámetro máx.	125 mm	150 mm
Radio de las órbitas \varnothing	15 mm	21 mm
Peso de acuerdo con el procedimiento EPTA 01/2014 (Li-Ion 2,0 Ah ... 12,0 Ah)	2,9 ... 4,0 kg	3,0 ... 4,2 kg
Temperatura ambiente recomendada para la operación	-18 ... +50 °C	
Juegos de baterías recomendados	M18B...; M18HB...	
Cargadores recomendados	M12-18...; M1418C6	
Información sobre ruidos: Determinación de los valores de medición según norma EN 62841. El nivel de ruido típico del aparato determinado con un filtro A corresponde a:		
Presión acústica / Tolerancia K	78,0 dB (A) / 3 dB (A)	77,0 dB (A) / 3 dB (A)
Resonancia acústica / Tolerancia K	89,0 dB (A) / 3 dB (A)	88,0 dB (A) / 3 dB (A)
Usar protectores auditivos!		
Informaciones sobre vibraciones: Nivel total de vibraciones (suma vectorial de tres direcciones) determinado según EN 62841.		
Valor de vibraciones generadas a _v / Tolerancia K	9,7 m/s ² / 1,5 m/s ²	14,7 m/s ² / 1,5 m/s ²

⚠ ADVERTENCIA!

El nivel de emisión de ruido y vibración indicado en esta hoja informativa se ha medido de acuerdo con una prueba estandarizada que figura en EN 62841 y se puede usar para comparar una herramienta con otra. Puede ser empleado para una evaluación preliminar de la exposición.

El nivel declarado emisión de vibración y ruido representa las principales aplicaciones de la herramienta. Sin embargo, si la herramienta se utiliza para diferentes aplicaciones, con diferentes accesorios o con un mantenimiento deficiente, la emisión de ruido y vibración puede diferir. Esto puede aumentar significativamente el nivel de exposición durante el periodo total de trabajo.

También se debe tener en cuenta una estimación del nivel de exposición a la vibración y el ruido cuando la herramienta está apagada o cuando está funcionando, pero no está haciendo su trabajo. Esto puede reducir significativamente el nivel de exposición durante el periodo total de trabajo.

Identifique medidas de seguridad adicionales para proteger al operador de los efectos de la vibración o el ruido, como realizar mantenimiento de la herramienta y los accesorios, mantener las manos calientes y organizar las pautas de trabajo.

⚠ ADVERTENCIA! Lea las indicaciones de seguridad, instrucciones, descripciones y datos que se incluyen en el aparato. En caso de no atenderse a las instrucciones siguientes, ello puede provocar una electrocución, incendio y/o lesiones serias.

Guardar todas las advertencias de peligro e instrucciones para futuras consultas.

INSTRUCCIONES ADICIONALES DE SEGURIDAD Y LABORALES

No manipular en el rodillo ni en las cuchillas con la máquina conectada.

Nunca se debe intentar limpiar el polvo o viruta procedente del taladrado con la máquina en funcionamiento.

Desconectar inmediatamente el aparato al presentarse vibraciones fuertes u otras anomalías. Examine la máquina para determinar las posibles causas.

La pieza de trabajo debe fijarse adecuadamente, a no ser que se mantenga bien fija por su propio peso.

Evite que cualquier pieza metálica alcance las ranuras de ventilación - ¡peligro de cortocircuito!

ADVERTENCIA! Para reducir el riesgo de incendio, lesiones personales y daños al producto debido a un cortocircuito, no sumerja nunca la herramienta, el paquete de baterías o el cargador en líquido ni permita que fluya un fluido dentro de ellos. Los fluidos corrosivos o conductivos, como el agua de mar, ciertos productos químicos industriales y blanqueadores o lejías que contienen, etc., Pueden causar un cortocircuito.

No abra nunca las baterías ni los cargadores y guárdelos sólo en lugares secos. Protéjalos de la humedad en todo momento.

INDICACIONES PARA BATERÍAS DE IONES DE LITIO

Uso de baterías de iones de litio

Las baterías no utilizadas durante cierto tiempo deben ser recargadas antes de usar.

Las temperaturas superiores a 50°C reducen el rendimiento de la batería. Evite una exposición excesiva a fuentes de calor o al sol (riesgo de sobrecalentamiento). Los puntos de contacto de los cargadores y las baterías se deben mantener limpios.

Para un tiempo óptimo de vida, deberán cargarse las baterías completamente después de su uso.

Para garantizar la máxima capacidad y vida útil, las baterías recargables se deberían retirar del cargador una vez finalizada la carga.

En caso de almacenar la batería recargable más de 30 días: Almacenar la batería recargable en un lugar seco a una temperatura de aproximadamente 27°C. Almacenar la batería recargable con un estado de carga del 30% y 50% aproximadamente. Recargar la batería cada 6 meses.

Protección de sobrecarga de baterías en baterías de iones de litio

En caso de sobrecarga de la batería a causa de un consumo de corriente demasiado elevado, por ejemplo, en momentos de torsión extremadamente altos, de una parada o cortocircuito repentinos; el aparato eléctrico vibra durante 5 segundos, el indicador de carga parpadea y el aparato eléctrico se desconecta automáticamente.

Para conectarlo de nuevo, soltar el botón de encendido y después conectarlo otra vez. Bajo cargas extremas la batería se calienta demasiado. En este caso, todas las luces del indicador de carga parpadean hasta que la batería se enfría. Cuando se apaga el indicador de carga se puede trabajar de nuevo.

Transporte de baterías de iones de litio

Las baterías de iones de litio caen bajo las disposiciones legales relativas al transporte de mercancías peligrosas.

El transporte de estas baterías recargables debe llevarse a cabo, observando las normas y disposiciones locales, nacionales e internacionales.

Los consumidores pueden transportar estas baterías recargables sin el menor reparo en la calle.

El transporte comercial de baterías recargables de iones de litio por empresas de transportes está sometido a las disposiciones del transporte de mercancías peligrosas. Las preparaciones para el envío y el transporte deben ser llevados a cabo exclusivamente por personas instruidas adecuadamente. El proceso completo debe ser supervisado por personal competente.

Los siguientes puntos se deben observar para el transporte de las baterías recargables:

Se debe asegurar que los contactos estén protegidos y aislados para evitar que se produzcan cortocircuitos.

Preste atención a que el conjunto de baterías recargables no se pueda desplazar dentro del envase. Las baterías recargables deterioradas o derramadas no se deben transportar. Rogamos que para cualquier información adicional se dirija a su empresa de transportes.

INDICACIONES PARA EL TRABAJO

Utilice siempre los mangos para un control adecuado. Mueva la pulidora hacia delante y hacia atrás con movimientos largos y amplios. Una presión excesiva, un ángulo incorrecto o un movimiento inadecuado pueden provocar marcas de remolino o quemaduras.

Para obtener instrucciones detalladas sobre el pulido, lea las instrucciones suministradas con los acabados, ceras y pulimentos.

ADVERTENCIA! Para reducir el riesgo de lesiones, siga las instrucciones para evitar los enganches. Los enganches pueden hacer que la herramienta retroceda y que el operario pierda repentinamente el control de la misma. Utilice el pomo para mantener el control.

Cómo evitar los enganches

Los enganches se producen cuando las almohadillas de pulido quedan atrapadas en los bordes ásperos de una superficie. Los enganches pueden hacer que la herramienta «retroceda» repentinamente y que la almohadilla quemé la pintura. Para reducir el riesgo de enganche, utilice la pulidora a baja velocidad cuando pule superficies rugosas. Para las zonas difíciles, como las situadas cerca de los embellecedores o entre los espejos y las ventanillas de un coche, no se arriesgue con la pulidora. Pule estas superficies a mano.

LIMPIEZA

Las ranuras de ventilación de la máquina deben estar despejadas en todo momento.

MANTENIMIENTO

Utilice solamente accesorios y repuestos Milwaukee. En caso de necesitar reemplazar componentes no descritos, contacte con cualquiera de nuestras estaciones de servicio Milwaukee (consultar lista de servicio técnicos)

En caso necesario, puede solicitar un despiece de la herramienta. Por favor indique el número de impreso que hay en la etiqueta y pida el despiece a la siguiente dirección: Techtronic Industries GmbH, Max-Eyth-Straße 10, 71364 Winnenden, Germany.

SÍMBOLOS

	Lea las instrucciones detenidamente antes de conectar la herramienta
	¡ATENCIÓN! ¡ADVERTENCIA! ¡PELIGRO!
	Retire la batería antes de comenzar cualquier trabajo el aparato.
	No aplique fuerza.
	Para trabajar con la máquina, utilizar siempre gafas de protección.
	Filtro de polvo
	Accesorio - No incluido en el equipo estándar, disponible en la gama de accesorios.
	Los electrodomésticos y las baterías/acumuladores no se deben eliminar junto con la basura doméstica. Los aparatos eléctricos y los acumuladores se deben recoger por separado y se deben entregar a una empresa de reciclaje para una eliminación respetuosa con el medio ambiente. Infórmese en las autoridades locales o en su tienda especializada sobre los centros de reciclaje y puntos de recogida.
n_0	Velocidad en vacío
V	Tensión
	Corriente continua
	Marcado de conformidad europeo
	Marcado de conformidad británico
	Marcado de conformidad ucraniano
	Marcado de conformidad euroasiático

CARACTERÍSTICAS TÉCNICAS	M18 FROP15	M18 FROP21
Tipo	Polidora	Polidora
Número de produção	4838 77 01 XXXXXX MJJJJ	4911 31 01 XXXXXX MJJJJ
Tensão do acumulador	18 V =	18 V =
Número de rotações nominal	0 - 5100 min ⁻¹	0 - 4500 min ⁻¹
Velocidade em vazio	2650 - 5100 min ⁻¹	2400 - 4500 min ⁻¹
Prato de polimento Diâmetro	125 mm	150 mm
Pad de polimento Diâmetro no máx.	125 mm	150 mm
Ø do círculo vibratório	15 mm	21 mm
Peso nos termos do procedimento-EPTA 01/2014 (Li-Ion 2,0 Ah ... 12,0 Ah)	2,9 ... 4,0 kg	3,0 ... 4,2 kg
Temperatura ambiente recomendada para a operação	-18 ... +50 °C	
Conjuntos de baterias recomendados	M18B...; M18HB...	
Carregadores recomendados	M12-18...; M1418C6	
Informações sobre ruído: Valores de medida de acordo com EN 62841.		
O nível de ruído avaliado A do aparelho é tipicamente:		
Nível da pressão de ruído / Incerteza K	78,0 dB (A) / 3 dB (A)	77,0 dB (A) / 3 dB (A)
Nível da potência de ruído / Incerteza K	89,0 dB (A) / 3 dB (A)	88,0 dB (A) / 3 dB (A)
Use protectores auriculares!		
Informações sobre vibração: Valores totais de vibração (soma dos vectores das três direcções) determinadas conforme EN 62841.		
Valor de emissão de vibração a _v / Incerteza K	9,7 m/s ² / 1,5 m/s ²	14,7 m/s ² / 1,5 m/s ²

ATENÇÃO!

O nível de emissão de ruído e vibração fornecido nesta ficha de informações foi medido de acordo com um teste padronizado que se encontra na norma EN 62841, podendo ser utilizado para fazer comparações entre ferramentas. Pode ser utilizado para fazer uma avaliação preliminar da exposição.

O nível de emissão de ruído e vibração declarado representa as principais aplicações da ferramenta. No entanto, se a ferramenta for utilizada para aplicações diferentes ou com acessórios distintos, ou se a sua manutenção for deficiente, a emissão de ruídos e vibrações poderá diferir. Isso poderá aumentar significativamente o nível de exposição ao longo do período de trabalho total.

A estimativa do nível de exposição à vibração e ruído também deve ter em conta os tempos em que a ferramenta, quer desligada quer em funcionamento, não está realmente a trabalhar. Isso poderá reduzir significativamente o nível de exposição ao longo do período de trabalho total.

Identifique medidas de segurança adicionais para proteger o operador contra os efeitos da vibração e/ou ruído, tais como: fazer a manutenção da ferramenta e dos acessórios, manter as mãos quentes, organizar padrões de trabalho.

ATENÇÃO! Ler todas as indicações de segurança, instruções, representações e dados fornecidos juntamente com o aparelho. O desrespeito das seguintes instruções pode levar a um choque eléctrico, incêndio e/ou graves lesões.

Guarde bem todas as advertências e instruções para futura referência.

INSTRUÇÕES DE SEGURANÇA E TRABALHO SUPLEMENTARES

Não introduza as mãos na área perigosa, estando a máquina em funcionamento.

Não remover aparas ou lascas enquanto a máquina trabalha. Desligar imediatamente o aparelho, se ocorrerem grandes oscilações ou se forem observadas outras avarias. Controlar a máquina para determinar a causa.

A peça a ser trabalhada deve ser fixada, caso não esteja firme devido ao seu peso próprio.

Não deixe que peças metálicas toquem nas fendas de circulação de ar - perigo de curto-circuitos.

ATENÇÃO! Para evitar o risco de incêndio, de feridas ou de danificação do produto causado por um curto-circuito, não imerja a bateria intercambiável ou o carregador em líquidos e assegure-se de que líquidos não penetrem nos aparelhos ou nas baterias. Líquidos corrosivos ou condutivos como água salgada, determinadas substâncias químicas ou produtos que contenham branqueadores podem causar um curto-circuito.

Carregadores só devem ser utilizados em recintos secos.

Use apenas carregadores do Sistema M18 para recarregar os acumuladores do Sistema M18. Não utilize acumuladores de outros sistemas.

UTILIZAÇÃO AUTORIZADA

A polidora pode ser usada para polir pinturas, revestimentos, plásticos e outras superfícies lisas.

Não utilize o produto de qualquer outra forma além das indicadas para a utilização prevista.

RISCOS RESIDUAIS

Mesmo em caso de utilização correta não é possível excluir todos os riscos residuais. Na utilização da máquina podem ser causados os seguintes perigos que o utilizador deve observar:

- Feridas causadas pela vibração. Segure o aparelho nos punhos previstos e limite o tempo de trabalho e exposição.
- Os ruídos podem levar à perda de audição. Use um protetor auricular e limite o período de exposição.
- Feridas dos olhos causadas por partículas de sujeira. Sempre use óculos de proteção, calças compridas sólidas e calçados sólidos.
- Inalação de pós tóxicos.

NOTAS PARA BATERIAS DE ÍONS DE LÍTIO

Utilização de íons de lítio

Acumuladores não utilizados durante algum tempo devem ser recarregados antes da sua utilização.

Temperaturas acima de 50°C reduzem a capacidade do bloco acumulador. Evitar exposição prolongada ao sol ou a caloríferos. Manter limpos os contactos eléctricos no carregador e no bloco acumulador.

Para uma vida útil óptima das baterias, terá que carregá-las plenamente após a sua utilização.

Para assegurar uma vida útil longa, o pacote de bateria deve ser removido da carregadora depois do carregamento.

Se o pacote de bateria for armazenado por mais de 30 dias: Armazene o pacote de bateria com aprox. 27°C em um lugar seco. Armazene o pacote de bateria com aprox. 30%-50% da carga completa.

Carregue o pacote de bateria novamente de 6 em 6 meses.

Proteção contra sobrecarga para baterias de íões de lítio

No caso de sobrecarga da bateria devido a um consumo de corrente demasiado elevado, por exemplo um binário de rotação extremamente elevado, uma paragem repentina ou um curto-circuito, a ferramenta eléctrica vibra durante 5 segundos, o indicador de carregamento de bateria começa a piscar e a ferramenta eléctrica desliga-se automaticamente.

Para a ligar novamente, desligar e voltar a ligar o interruptor Sob condições extremas, a bateria aquece demasiado. Nesse caso, todas as luzes do indicador de carregamento de bateria piscam até que esta arrefeça. Após as luzes do indicador de carregamento de bateria se apagarem, pode-se continuar a trabalhar.

Transporte de baterias de íão-lítio

Baterias de íão-lítio estão sujeitas às disposições da legislação relativa às substâncias perigosas.

O transporte destas baterias deve ser efetuado de acordo com as disposições e os regulamentos locais, nacionais e internacionais.

O utilizador pode efetuar o transporte rodoviário destas baterias sem restrições.

O transporte comercial de baterias de íão-lítio por terceiros está sujeito aos regulamentos relativos às substâncias perigosas. A preparação do transporte e o transporte devem ser executados exclusivamente por pessoas instruídas e o processo deve ser acompanhado pelos especialistas correspondentes.

Observe o seguinte no transporte de baterias:

Assegure-se de que os contactos terminais estejam protegidos e isolados para evitar um curto-circuito.

Assegure-se de que o bloco da bateria esteja protegido contra movimentos na embalagem. Não transporte baterias danificadas ou que tenham fuga. Para instruções mais detalhadas consulte a companhia de transportes

DICAS DE TRABALHO

Para um controlo adequado, use sempre pegas. Desloque o polidor para a frente e para trás, com movimentos de varredura. Se for exercida demasiada pressão, podem ser deixadas marcas de passagem ou queimaduras, com um ângulo incorreto ou movimento inadequado.

Para mais instruções de polimento, leia as instruções fornecidas com as ceras e os produtos de acabamento e polimento.

ATENÇÃO! Para reduzir o risco de lesões, siga as instruções fornecidas para prevenção do enganche. O enganche pode causar o ressalto da ferramenta e levar a que o operador perca subitamente o controlo da mesma. Para garantir o controlo da ferramenta, use sempre a pega.

Prevenção do enganche

O enganche ocorre quando as almofadas de polimento ficam presas em zonas ásperas das margens de uma superfície de trabalho. O enganche pode causar o "ressalto" súbito da ferramenta e fazer com que a almofada incendeie com a tinta. Para reduzir o risco de enganche, sempre que polir superfícies irregulares, utilizar o polidor a baixa velocidade. Em zonas mais complicadas, por ex., perto do fio ou entre um espelho e uma janela de um carro, não correr riscos ao usar o polidor. Polir estas superfícies à mão.

LIMPEZA

Manter desobstruídos os rasgos de ventilação na carcaça da máquina.

MANUTENÇÃO

Utilizar apenas acessórios Milwaukee e peças sobresselentes Milwaukee. Os componentes cuja substituição não esteja descrita devem ser substituídos num serviço de assistência técnica Milwaukee (consultar a brochura relativa à garantia/moradas dos serviços de assistência técnica).

A pedido e mediante indicação da referência que consta da chapa de características da máquina, pode requerer-se um desenho explosivo da ferramenta eléctrica a: Techtronic Industries GmbH, Max-Eyth-Straße 10, 71364 Winnenden, Germany.

SYMBOLE

	Leia atentamente o manual de instruções antes de colocar a máquina em funcionamento.
	ATENÇÃO! PERIGO!
	Antes de efectuar qualquer intervenção o aparelho retirar o bloco acumulador.
	Não aplique força.
	Usar sempre óculos de protecção ao trabalhar com a máquina.
	Filtro do pó
	Acessório - Não incluído no equipamento normal, disponível como acessório.
	Aparelhos eléctricos, baterias/acumuladores não devem ser jogados no lixo doméstico. Os aparelhos eléctricos e as baterias devem ser colectados separadamente e entregues a uma empresa de reciclagem para a eliminação correcta. Solicite informações sobre empresas de reciclagem e postos de colecta de lixo das autoridades locais ou do seu vendedor autorizado.
n_0	Velocidade em vazio
v	Tensão
	Corrente contínua
	Marca de Conformidade Europeia
	Marca de Conformidade Britânica
	Marca de Conformidade Ucraniana
	Marca de Conformidade Eurasiática

TECHNISCHE GEGEVENS

	M18 FROP15	M18 FROP21
Type	Polijstmachine	Polijstmachine
Productienummer	4838 77 01 XXXXXX MJJJJ	4911 31 01 XXXXXX MJJJJ
Spanning wisselakku	18 V \approx	18 V \approx
Nominaal toerental	0 - 5100 min ⁻¹	0 - 4500 min ⁻¹
Onbelast toerental	2650 - 5100 min ⁻¹	2400 - 4500 min ⁻¹
Polijtschijf Diameter	125 mm	150 mm
Polijstpad Diameter max.	125 mm	150 mm
Schuurcirkel - \varnothing	15 mm	21 mm
Gewicht volgens de EPTA-procedure 01/2014 (Li-Ion 2,0 Ah ... 12,0 Ah)	2,9 ... 4,0 kg	3,0 ... 4,2 kg
Aanbevolen omgevingstemperatuur voor het bedrijf	-18 ... +50 °C	
Aanbevolen accupacks	M18B...; M18HB...	
Aanbevolen laadtoestellen	M12-18...; M1418C6	
Geluidsinformatie: Meetwaarden vastgesteld volgens EN 62841. Het kenmerkende A-gewogen geluidsniveau van de machine bedraagt: Geluidsdruk niveau / Onzekerheid K	78,0 dB (A) / 3 dB (A)	77,0 dB (A) / 3 dB (A)
Geluidsvermogen niveau / Onzekerheid K	89,0 dB (A) / 3 dB (A)	88,0 dB (A) / 3 dB (A)
Draag oorbeschermers!		
Trillingsinformatie: Totale trillingswaarden (vectorsom van drie richtingebepaald volgens EN 62841.		
Trillingsemmissiewaarde a_n / Onzekerheid K	9,7 m/s ² / 1,5 m/s ²	14,7 m/s ² / 1,5 m/s ²

WAARSCHUWING!

De in dit informatieblad vermelde trillings- en geluidsniveaus zijn gemeten in overeenstemming met een standaard testmethode conform EN 62841 en kunnen worden gebruikt om gereedschap met elkaar te vergelijken. Deze kunnen ook worden gebruikt voor het vooraf evalueren van de hele werkperiode aanzienlijk hoger uitvallen.

De vermelde trillings- en geluidsniveaus gelden voor de meest gebruikelijke toepassingen van het gereedschap. Wanneer het gereedschap echter voor andere doeleinden of met andere hulpstukken gebruikt wordt of niet naar behoren onderhouden wordt, kan de mate van blootstelling over de hele werkperiode aanzienlijk verminderen.

Voor een nauwkeurige inschatting van de blootstelling aan trillingen en geluid moet ook de tijd in aanmerking worden genomen die het apparaat uitgeschakeld is of weliswaar loopt, maar niet werkelijk in gebruik is. Dit kan de waarde van de mate aan blootstelling over de hele werkperiode aanzienlijk verminderen.

Bepaal extra veiligheidsmaatregelen ter bescherming van de gebruiker tegen de gevolgen van trillingen en/of geluid, bijvoorbeeld: onderhoud van het gereedschap en hulpstukken, warmhouden van de handen, organisatie van de werkprocessen.

WAARSCHUWING! Lees en bekijk alle veiligheidsaanwijzingen, aanwijzingen, afbeeldingen en gegevens die u bij het apparaat ontvangt. Als u de volgende aanwijzingen niet in acht neemt, kunnen een elektrische schok, brand en/of ernstig letsel het gevolg zijn.

Bewaar alle waarschuwingen en voorschriften voor toekomstig gebruik.

VERDERE VEILIGHEIDS- EN WERKINSTRUCTIES

Niet aan de draaiende delen komen.

Spanen of splinters mogen bij draaiende machine niet worden verwijderd.

Machine onmiddellijk controleren als sterke trillingen optreden of andere gebreken worden vastgesteld. Controleer de machine om de oorzaak vast te stellen.

Het te bewerken werkstuk moet vast worden ingespannen als het niet door het eigen gewicht stabiel ligt.

Vanwege kortsluitingsgevaar mogen metaaldeeltjes niet in de luchtschachten terechtkomen.

WAARSCHUWING! Voorkom brand, persoonlijk letsel of materiële schade door kortsluiting en dompel het gereedschap, de wisselakku en het laadtoestel niet onder in vloeistoffen en waarborg dat geen vloeistoffen in de apparaten en accu's kunnen dringen. Corrosieve of geleidende vloeistoffen zoals zout water, bepaalde chemicaliën, bleekmiddelen of producten die bleekmiddelen bevatten, kunnen een kortsluiting veroorzaken.

Wisselakku's en laadapparaten niet openen en alleen in droge ruimtes opslaan. Tegen vocht beschermen.

Wisselakku's van het Akku-Systeem M18 alléén met laadapparaten van het Akku-Systeem M18 laden. Geen akku's van andere systemen laden.

VOORGESCHREVEN GEBRUIK VAN HET SYSTEEM

De polijstmachine kan worden gebruikt voor het polijsten van lakken, coatings, kunststoffen en andere gladde oppervlakken.

Gebruik het product op geen andere wijze dan is aangegeven voor het beoogde gebruik.

RESTERENDE GEVAREN

Ook als de machine volgens de voorschriften gebruikt wordt, kunnen niet alle risico's worden uitgesloten. Let bij het gebruik op de volgende gevaren:

- Door vibraties veroorzaakt letsel. Houd de machine vast aan de daarvoor bedoelde grepen en beperk de tijd die u met de machine werkt en waarin u aan de vibraties wordt blootgesteld.
- Lawaai kan leiden tot gehoorschade. Draag een gehoorbescherming en beperk de tijd waarin u aan het lawaai wordt blootgesteld.
- Door vuildeeltjes veroorzaakt oogletsel. Draag altijd een veiligheidsbril, nauwsluitende, lange broeken, handschoenen en vast schoeisel.
- Inademen van toxische stoffen.

OPMERKINGEN OVER LI-ION-ACCU'S

Gebruik van li-ion-accu's

Langere tijd niet toegepaste wisselakku's vóór gebruik altijd naladen.

Een temperatuur boven de 50°C vermindert de capaciteit van de accu. Langdurige verwarming door zon of hitte vermijden. De aansluitcontacten aan het laadapparaat en de akku schoonhouden.

Voor een optimale levensduur moeten de accu's na het gebruik volledig opgeladen worden.

Voor een zo lang mogelijke levensduur van de accu's dienen deze na het opladen uit het laadtoestel te worden verwijderd.

Bij een langere opslag van de accu dan 30 dagen:

accu bij ca. 27 °C droog bewaren.

accu bij ca. 30 % - 50 % van de laadtoestand bewaren.

accu om de 6 maanden opnieuw opladen.

Overbelastingsbeveiliging voor li-ion-accu's

Bij overbelasting van de accu door zeer hoog stroomverbruik, bijv. extreem hoge draaimomenten, plotseling stoppen of kortsluiting, vibreert het elektrische gereedschap gedurende 5 seconden, de laadweergave knippert en het elektrische gereedschap schakelt automatisch uit.

Om het gereedschap weer in te schakelen, moet u de drukschakelaar loslaten en vervolgens weer inschakelen. Onder extreme belastingen wordt de accu te heet. In dit geval knipperen alle lampen van de laadweergave totdat de accu afgekoeld is. Na het doven van de laadweergave kunt u weer verder werken.

Transport van lithium-ionen-accu's

Lithium-ionen-accu's vallen onder de wettelijke bepalingen inzake het transport van gevaarlijke goederen.

Voor het transport van deze accu's moeten de lokale, nationale en internationale voorschriften en bepalingen in acht worden genomen.

Verbruikers mogen deze accu's zonder meer over de weg transporteren.

Het commerciële transport van lithium-ionen-accu's door expeditiebedrijven is onderhevig aan de bepalingen inzake het transport van gevaarlijke goederen. De verzendingsvoorbereidingen en het transport mogen uitsluitend worden uitgevoerd door dienovereenkomstig opgeleide personen. Het complete proces moet vakkundig worden begeleid.

Onderstaande punten moeten bij het transport van accu's in acht worden genomen:

Waarborg ter vermindering van kortsluitingen dat de contacten beschermd en geïsoleerd zijn.

Let op dat het accupack in de verpakking niet kan verschuiven. Beschadigde of lekkende accu's mogen niet worden getransporteerd. Neem voor meer informatie contact op met uw expeditiebedrijf.

ARBEIDSINSTRUCTIES

Gebruik altijd de handvaten voor correcte bediening. Beweeg de polijstmachine heen en weer met lange, vegende slagen. Te veel druk, de verkeerde hoek of verkeerde beweging kan hologrammen of inbranden veroorzaken.

Voor gedetailleerde polijstaanwijzingen moeten de aanwijzingen worden gelezen die met de afwerkings-, wax- en polijstmiddelen zijn geleverd.

WAARSCHUWING! Om het gevaar voor letsel te verminderen, moeten de aanwijzingen in acht worden genomen om vastlopen te voorkomen. Vastlopen kan ervoor zorgen dat het gereedschap een terugslag geeft en de bediener plotseling de controle over het gereedschap verliest. Gebruik altijd het handvat om de controle te behouden.

Vastlopen voorkomen

Vastlopen komt voor als polijstspads vast komen te zitten aan de ruwe randen van een werkoppervlak. Vastlopen kan ervoor zorgen dat het gereedschap plotseling een terugslag geeft, waardoor de pad mogelijk door de lak brandt. Om het gevaar voor vastlopen te verminderen, moet de polijstmachine met lage snelheid worden gebruikt tijdens het polijsten van ruwe oppervlakken. Voor lastige plekken zoals in de buurt van een rand of tussen een spiegel en raam van een auto moet niet met een polijstmachine worden gewerkt. Polijst deze oppervlakken met de hand.

ONDERHOUD

Altijd de luchtspleten van de machine schoonhouden.

ONDERHOUD

Gebruik uitsluitend Milwaukee toebehoren en onderdelen. Indien componenten die moeten worden vervangen niet zijn beschreven, neem dan contact op met een officieel Milwaukee servicecentrum (zie onze lijst met servicecentra).

Onder vermelding van het nummer op het machineplaatje is desgewenst een doorsnedetekening van de machine verkrijgbaar bij: Technicon Industries GmbH, Max-Eyth-Straße 10, 71364 Winnenden, Germany.

SYMBOLEN

	Graag instructies zorgvuldig doorlezen vóórdat u de machine in gebruik neemt.
	OPGELET! WAARSCHUWING! GEVAAR!
	Voor alle werkzaamheden aan de apparat de accu verwijderen.
	Geen kracht uitoefenen.
	Bij het werken met de machine altijd een veiligheidsbril dragen.
	Stoffilter
	Toebehoren - Wordt niet meegeleverd. Is apart leverbaar. Zie hiervoor het toebehorenprogramma.
	Elektrische apparaten, batterijen en accu's mogen niet via het huisafval worden afgevoerd. Elektrische apparaten en accu's moeten gescheiden worden verzameld en voor een milieuvriendelijke afvoer worden afgegeven bij een recyclingbedrijf. Informeer bij uw gemeente of bij uw vakhandelaar naar recyclingbedrijven en inzamelpunten.
	Onbelast toerental
	Spanning
	Gelijkstroom
	Europees symbool van overeenstemming
	Brits symbool van overeenstemming
	Oekraïens symbool van overeenstemming
	Euro-Aziatisch symbool van overeenstemming

TEKNISCHE DATA

	M18 FROP15	M18 FROP21
Type	Polermaskine	Polermaskine
Produktionsnummer	4838 77 01 XXXXXX MJJJJ	4911 31 01 XXXXXX MJJJJ
Udskiftningsbatteries spænding	18 V =	18 V =
Nominelt omdrejningstal	0 - 5100 min ⁻¹	0 - 4500 min ⁻¹
Omdrejningstal, ubelastet	2650 - 5100 min ⁻¹	2400 - 4500 min ⁻¹
Polertallerken Diameter	125 mm	150 mm
Polerpad Diameter maks.	125 mm	150 mm
Svingkreds-ø	15 mm	21 mm
Vægt svarer til EPTA-procedure 01/2014 (Li-Ion 2,0 Ah ... 12,0 Ah)	2,9 ... 4,0 kg	3,0 ... 4,2 kg
Anbefalet omgivelsestemperatur til driften	-18 ... +50 °C	
Anbefalede batteripakker	M18B...; M18HB...	
Anbefalede opladere	M12-18...; M1418C6	
Støjinformation: Måleværdier beregnes iht. EN 62841. Værktøjets A-vurderede støjniveau er typisk:		
Lydrykniveau / Usikkerhed K	78,0 dB (A) / 3 dB (A)	77,0 dB (A) / 3 dB (A)
Lydeffekt niveau / Usikkerhed K	89,0 dB (A) / 3 dB (A)	88,0 dB (A) / 3 dB (A)
Brug høreværn!		
Vibrationsinformation: Samlede vibrationsværdier (værdisum for tre retninger) beregnet iht. EN 62841.		
Vibrationseksponering a _h / Usikkerhed K	9,7 m/s ² / 1,5 m/s ²	14,7 m/s ² / 1,5 m/s ²

ADVARSEL!

Det vibrations- og støjemissionsniveau, der nævnes i dette oplysningsskema, er blevet målt i overensstemmelse med en standardiseret test fra EN 62841, og det kan bruges til at sammenligne ét værktøj med et andet. Det kan bruges til en foreløbig bedømmelse af eksponeringen.

Det erklærede vibrations- og støjemissionsniveau repræsenterer værktøjets primære anvendelsesformål. Det er dog sådan, at hvis værktøjet bruges til andre formål, med forskelligt tilbehør eller dårlig vedligehold, så kan vibrations- og støjemissionen variere. Det kan evt. øge eksponeringsniveauet markant i løbet af det samlede arbejdstidsrum.

En vurdering af eksponeringsniveauet ift. vibration og støj bør også tage hensyn til de tidspunkter, hvor værktøjet er slukket eller hvor det kører, men rent faktisk ikke udfører jobbet. Det kan evt. mindske eksponeringsniveauet markant i løbet af det samlede arbejdstidsrum.

Identificer yderligere sikkerhedsforanstaltninger med henblik på at beskytte brugeren mod effekten af vibration og/eller støj, som fx: vedligehold værktøjet og tilbehøret, hold hænderne varme, organisering af arbejdsmønstre.

ADVARSEL! Læs alle sikkerhedsanvisninger, anvisninger, instruktioner og data, der følger med enheden. Overholder du ikke følgende instruktioner, kan du få elektrisk stød, der kan opstå brand og/eller du kan blive kvæstet alvorligt.

Opbevar alle advarselshenvisninger og instrukser til senere brug.

YDERLIGERE SIKKERHEDS- OG ARBEJDSINFORMATIONER

Pas på ikke at få hånden ind i maskinen.

Spåner eller splinter må ikke fjernes, medens maskinen kører.

Sluk straks for værktøjet, hvis der opstår betydelige svingninger eller der konstateres andre mangler. Kontrollér værktøjet og find frem til årsagen.

Det arbejdsemne, som skal bearbejdes, fastspændes, medmindre det holdes på plads af arbejdsmålets egenvægt.

Metaldele må ikke trænge ind i ventilationsåbningerne, da dette kan føre til kortslutning

ADVARSEL! For at undgå risiko for brand, kvæstelser eller beskadigelse af produktet forårsaget af kortslutning må værktøjet, batteripakken eller opladeren ikke nedsænkes i vand. Sørg ligeledes for, at der ikke trænger væske ind i enhederne og batterierne. Korroderende eller ledende væsker, f.eks. saltvand, bestemte kemikalier, blegestoffer eller produkter, som indeholder blegestoffer, kan forårsage kortslutning.

Udskiftningsbatterier og opladere må ikke åbnes og skal opbevares i tørre rum. Beskyt dem mod fugtighed.

Brug kun M18 ladeapparater for opladning af System M18 batterier.

TILTÆNKT FORMÅL

Poleringsmaskinen kan anvendes til polering af lak, belægninger, kunststof og andre glatte overflader.

Brug ikke produktet til andre formål, end de her beskrevne.

RESTRICSI

Selv ved korrekt brug kan alle restrisici ikke udelukkes. Brugen kan medføre følgende farer, som operatøren bør være særlig opmærksom på:

- Kvæstelser, som forårsages af vibration. Hold maskinen fast i de dertil beregnede greb og begræns arbejds- og ekspositionstiden.
- Støjbelastning kan medføre høreskader. Brug høreværn og begræns ekspositionstiden.
- Øjenskader på grund af snavspartikler. Brug altid beskyttelsesbriller, faste lange bukser, handsker og fast fodtøj.
- Indånding af giftigt støv.

BEMÆRKNINGER VEDRØRENDE LI-ION-BATTERIER

Brug af Li-ion-batterier

Udskiftningsbatterier, der ikke har været brugt i længere tid, efterlades inden brug.

Ved temperaturer over 50°C forminskes batteriets effekt. Undgå direkte sollys og stærk varme. Tilslutningskontakterne på oplader og udskiftningsbatterier skal holdes rene.

For at opnå en optimal levetid skal de genopladelige batterier oplades fuldt efter brug. For at sikre en så lang levetid som muligt skal batterierne tages ud af ladeaggregatet efter opladning.

Skal batterierne opbevares længere end 30 dage: Temperatur ca. 27°C i tørre omgivelser. Opbevares ved ca. 30%-50% af ladetilstanden. Batteri skal genoplades hver 6. måned.

Overbelastningsbeskyttelse vedrørende Li-Ion-batterier

Overbelastes batteriet på grund af meget højt strømforbrug, f.eks. som følge af ekstremt høje drejningsmomenter, pludseligt stop eller kortslutning, vibrerer el-værktøjet i 5 sekunder, ladeindikatoren blinker, og el-værktøjet slukker af sig selv.

For at tænde igen slippes trykknappen, hvorefter du tænder el-værktøjet igen. Ved ekstreme belastninger bliver batteriet for varmt. I så fald blinker alle lamper på ladeindikatoren, indtil batteriet er kølet af. Når ladeindikatoren går ud, kan arbejdet genoptages.

Transport af lithium-batterier

Lithium-batterier er omfattet af lovgivningen om transport af farligt gods.

Transporten af disse batterier skal ske under overholdelse af lokale, nationale og internationale regler og bestemmelser.

Forbrugere må transportere disse batterier på veje uden yderligere krav.

Den kommercielle transport af lithium-batterier ved speditorsfirmaer er omfattet af reglerne for transport af farligt gods. Forberedelsen af forsendelse og transport må kun udføres af tilsvarende trænedede personer. Den samlede proces skal følges af fagfolk.

Følgende punkter skal overholdes ved transport af batterier:

Sørg for at kontakterne er beskyttet og isoleret for at forhindre kortslutninger.

Sørg for at batteripakken ikke kan bevæge sig inden for emballagen. Beskadigede eller lækken batterier må ikke transporteres. Kontakt dit speditorsfirma for at få yderligere oplysninger.

ARBEJDSANVISNINGER

Brug altid håndtagene til korrekt kontrol. Flyt poleringsmaskinen frem og tilbage i lange, fejende slag. Et for stort tryk, en forkert vinkel eller forkert bevægelse kan forårsage hvirvelmærker eller forbrænding.

For nærmere poleringsinstruktioner bedes du læse instruktionerne, der følger med overfladebehandlings-, voks- og poleringsmidlet.

ADVARSEL! For at reducere risikoen for personskade, skal du følge instruktionerne for at forhindre en fasthængning. Fasthængning kan få værktøjet til at slå tilbage, og operatøren mister pludselig kontrollen over værktøjet. Brug altid håndtaget til at bevare kontrollen.

Forebyggelse af fasthængning

Fasthængning opstår, når poleringspuderne sidder fast på ru kanter på en arbejdsflade. Fasthængning kan få værktøjet til at "slå tilbage", og det kan få pudsen til at brænde igennem malingen. Brug poleringsmaskinen ved lave hastigheder til polering af ru overflader for at reducere risikoen for at hænge fast. Ved vanskelige områder, som f.eks. i nærheden af sammenføjninger eller mellem et spejl og et vindue på en bil må du ikke løbe nogen risiko med en poleringsmaskine. Poler disse overflader i hånden.

RENGØRING

Hold altid maskinens ventilationsåbninger rene.

VEDLIGEHOLDELSE

Brug kun Milwaukee-tilbehør og Milwaukee-reservedele. Komponenter, hvor udskiftningsproceduren ikke er beskrevet, skal skiftes ud hos et Milwaukee-servicested (se brochure garanti/kundeserviceadresser).

Ved opgivelse af type nr. der er angivet på maskinens effektskilt, kan de rekvirere en reservedelstegning, ved henvendelse til: Techtronic Industries GmbH, Max-Eyth-Straße 10, 71364 Winnenden, Germany.

SYMBOLER

	Læs brugsanvisningen nøje før ibrugtagning.
	VIGTIGT! ADVARSEL! FARE!
	Ved arbejde inden i maskinen, bør batteriet tages ud.
	Brug ikke kraft.
	Når der arbejdes med maskinen, skal man have beskyttelsesbriller på.
	Støvfiltre
	Tilbehør - Ikke inkluderet i leveringsomfanget, køb købes som tilbehør.
	Elektrisk udstyr eller (genopladelige) batterier må ikke bortskaffes sammen med det almindelige husholdningsaffald. Elektrisk udstyr og genopladelige batterier skal indsamles særskilt og afleveres hos en genbrugsvirksomhed til en miljømæssig forsvarlig bortskaffelse. Spørg de lokale myndigheder eller din forhandler om genbrugsstationer og indsamlingssteder til sådant affald.
	Omdrejningstal, ubelastet
	Spænding
	Jævnstrøm
	Europæisk konformitetsmærke
	Britisk konformitetsmærke
	Ukrainsk konformitetsmærke
	Eurasisk konformitetsmærke

TEKNISKE DATA

	M18 FROP15	M18 FROP21
Type	Polermaskin	Polermaskin
Produktionsnummer	4838 77 01 XXXXXX MJJJJ	4911 31 01 XXXXXX MJJJJ
Spænding vekselbatteri	18 V \approx	18 V \approx
Nominelt turtall	0 - 5100 min ⁻¹	0 - 4500 min ⁻¹
Tomgangsturtall	2650 - 5100 min ⁻¹	2400 - 4500 min ⁻¹
Polerskive Diameter	125 mm	150 mm
Poler pad Diameter maks.	125 mm	150 mm
Svingekreets-Ø	15 mm	21 mm
Vekt i henhold til EPTA-Prosedyren 01/2014 (Li-Ion 2,0 Ah ... 12,0 Ah)	2,9 ... 4,0 kg	3,0 ... 4,2 kg
Anbefalt omgivelsestemperatur for drift	-18 ... +50 °C	
Anbefalte batteripakker	M18B...; M18HB...	
Anbefalte ladere	M12-18...; M1418C6	

Støynormer: Måleverdier fastslået i samsvar med EN 62841.

Det typiske A-bedømte støyniveauet for maskinen er:

Lydtryknivå / Usikkerhet K

78,0 dB (A) / 3 dB (A)

77,0 dB (A) / 3 dB (A)

Lydeffektnivå / Usikkerhet K

89,0 dB (A) / 3 dB (A)

88,0 dB (A) / 3 dB (A)

Bruk hørselsvern!

Vibrasjonsinformasjoner: Totale svingningsverdier (vektorsum fra tre retninger) beregnet jf. EN 62841.

Svingningsemisjonsverdi a_n / Usikkerhet K

9,7 m/s² / 1,5 m/s²

14,7 m/s² / 1,5 m/s²

ADVARSEL!

De angitte vibrasjonseksponering- og støynivåverdiene har blitt målt i samsvar med standardiserte målemetoder jmfør EN 62841 og kan brukes til å sammenligne et verktøy med et annet. De kan brukes til en foreløpig eksponeringsvurdering.

De angitte vibrasjonseksponering- og støyemisjonsverdiene gjelder for vanlig bruk av verktøyet. Dersom verktøyet blir brukt til noe annet, sammen med annet utstyr eller er dårlig vedlikeholdt kan de angitte vibrasjonseksponering- og støyeverdiene variere. Dette kan øke eksponerings- og emisjonsverdiene betraktelig for hele perioden du bruker verktøyet.

Når en vurderer vibrasjonseksponeringsnivået og støyeverdi må en inkludere den perioden som verktøyet er slått av eller når verktøyet går, men ikke direkte brukes til noe. Dette kan redusere eksponeringsnivået betraktelig over hele perioden som verktøyet er i bruk.

Det er viktig å etablere ytterligere sikkerhetstiltak for å beskytte brukeren mot påvirkning av vibrasjon og/eller støy, slik som: vedlikehold av verktøyet og tilleggsutstyr, hold hendene varme, organiserte arbeidsrutiner.

ADVARSEL! Les alle sikkerhetsanvisninger, instruksjoner, bildeforklaringer og data som fulgte med maskinen. Hvis du ikke følger følgende anvisninger, kan det oppstå elektriske støt, ild og/eller store skader.

Ta godt vare på alle advarslene og informasjonene.

YTTERLIGE SIKKERHETS- OG ARBEIDSTRUKSJONER

Ikke grip inn i fareområdet mens maskinen er i gang.

Spon eller fliser må ikke fjernes mens maskinen er i gang.

Slå straks av apparat når det oppstår store svingninger eller du fastslår andre mangler. Kontroller maskinen for å fastslå årsaken.

Det emnet som skal bearbejdes må være fastspent, hvis det ikke blir holdt av sin egen vekt.

På grunn av kortslutningsfare må metalldele ikke komme inn i lufteåpningene.

ADVARSEL! For å unngå fare for en brann forårsaket av en kortslutning, av personskader eller skader av produktet, må det forhindres at batteripakken eller laderen dypes i væsker og også sørges for at ingen væsker kan komme inn i apparatene eller batteriene. Korroderende og ledende væsker som saltvann, visse kjemikalier og blekemidler eller produkt som inneholder blekemidler kan forårsake en kortslutning.

Ikke åpne vekselbatterier og ladere, de skal oppbevares i tørre rom. Beskyttes mot fuktighet.

Vekselbatterier av systemet M18 skal kun lades med lader av systemet M18. Ikke lad opp batterier fra andre systemer.

FORMÅLSMESSIG BRUK

Poleringssskiven kan benyttes til polering av lakk, overflatebehandlinger, plast og andre glatte overflater.

Ikke bruk produktet på annen måte enn det som er angitt for beregnet bruk.

RETFARER

Også ved sakyndig bruk kan ikke alle restrisikoer utelukkes. Ved bruk kan følgende farer oppstå og som bruker spesielt skulle ta hensyn til:

- Skader forårsaket av vibrasjon. Hold alltid apparatet i håndtakene som er konstruert for dette og begrens arbeids- og eksponeringstiden.
- Støy kan føre til hørselsskader. Bruk hørselsvern og begrens eksponeringens varighet.
- Øyeskader forårsaket av smusspartikler. Bruk alltid vernebriller, solide langbukser, hansker og stødige sko.
- Innånding av giftig støv

INFORMASJON SOM GJELDER LI-ION BATTERIPAKKER

Bruk av Li-Ion batteripakker

Vekselbatterier som ikke er brukt over lengre tid skal etterlades før bruk.

En temperatur over 50°C reduserer vekselbatteriets kapasitet. Unngå oppvarming i sol eller ved varmeovner (fyring) i lengre tid. Hold tilkopplingskontaktene på lader og vekselbatteri rene.

For optimal holdbarhet må batteriene lades opp helt etter bruk. For å sikre en lengst mulig brukstid av batteriene skal disse etter oppladning taes ut av laderen.

Ved lagring av batteriene lengre enn 30 dager:

Lagre batteriet tørt ved ca. 27°C.

Lagre batteriet ved en oppladningstilstand på ca. 30%-50%.

Lade opp batteriet igjen etter 6 måneder.

Overlastvern i Li-Ion batteripakker

Ved overbelastning av det oppladbare batteriet p.g.a. svært høyt strømforbruk; f.eks. ekstrem høye dreiemoment, plutselig stopp eller kortslutning, vibrert elektroverktøyet 5 sekunder, displayet for opplading blinker og elektroverktøyet utkobler seg automatisk.

For gjeninnkobling, slipp løs bryteren og slå så på igjen. Ved ekstreme belastninger opphører det oppladbare batteriet seg for sterkt. I slike tilfeller blinker alle lampene på displayet til batteriet er avkjølt. Når lampene har sluttet å blinke, kan man fortsette å arbeide.

Transport av Litium-Ion-Batterier

Litium-ion-batterier faller under de lovfestede forskriftene om transport av farlig gods.

Transporten av disse batteriene må rette seg etter lokale, nasjonale og internasjonale forskrifter og bestemmelser.

Forbruker har lov å transportere disse batteriene på gaten uten reglementering.

Den kommersielle transport av Litium-ion-batterier av spedisjonsfirma faller under bestemmelsene om transport av farlig gods. Forberedningene av forsendelsen og transport skal utelukkende gjennomføres av personer som har blitt skolert til dette. Hele prosessen skal følges opp av fagfolk.

Følgende punkter skal tas hensyn til ved transport:

Kontroller at kontaktene er beskyttet og isolert for å unngå kortslutninger.

Pass på at batteripakken i forpakningen ikke kan skli fram og tilbake. Skadede eller batterier som lekker er det ikke lov å transportere. Ta kontakt med spedisjonsfirma for ytterlige henvisninger.

ARBEIDSIKSTRUKSJONER

Du må alltid holde i håndtakene for bedre kontroll. Beveg poleringsmaskinen frem og tilbake i feiende bevegelser. For høyt trykk, feil vinkel eller feil bevegelser kan gi spinne- eller brennmerker.

Mer detaljert instruksjon om hvordan du polerer finner du i instruksjonene som er vedlagt finisher, voks og polisher.

ADVARSEL! For å forebygge skader må du følge instruksjonene for hvordan du unngår å hekte deg fast. Ved hekking kan verktøyet slå tilbake slik at brukeren plutselig mister kontrollen over verktøyet. Du må alltid holde fast i knotten på verktøyet for å beholde kontrollen.

Forhindre hekking

Verktøyet kan hekte seg fast dersom poleringsputene henger seg fast i grove kanter på arbeidsoverflaten. Da kan verktøyet plutselig «slå tilbake», som igjen kan føre til at puten brenner gjennom malingen. For å redusere risikoen for dette, må du bruke poleringsmaskinen på lav hastighet når du polerer grove overflater. Ikke ta sjansen på å bruke poleringsmaskinen på vanskelige områder, som nær lister eller mellom et speil og vindu på en bil. Disse overflatene bør du polere for hånd.

RENGJØRING










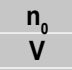





Hold alltid lufteåpningene på maskinen rene.

VEDLIKEHOLD

Bruk kun Milwaukee tilbehør og Milwaukee reservedeler. Komponenter der utskifning ikke er beskrevet skal skiftes ut hos Milwaukee kundeservice (se brosjyre garanti/kundeserviceadresser).

Ved behov kan du be om en eksplosjonstegning av apparatet hos din kundeservice eller direkte hos Techtronic Industries GmbH, Max-Eyth-Straße 10, 71364 Winnenden, Germany. Oppgi maskintype og det nummeret på typeskiltet.

SYMBOLER

	Les nøye gjennom bruksanvisningen før maskinen tas i bruk.
	OBS! ADVARSEL! FARE!
	Ta ut vekselbatteriet før du arbeider på maskinen
	Ikke bruk kraft.
	Bruk alltid vernebrille når du arbeider med maskinen.
	Støvfilter
	Tilbehør - inngår ikke i leveransen, anbefalt komplette-ring fra tilbehørsprogrammet.
	Elektriske apparater, batterier/oppladbare batterier skal ikke kastes sammen med vanlig husholdningsavfall. Elektriske og elektroniske apparater og oppladbare batterier skal samles separat og leveres til miljøvennlig deponering hos en avfallsbedrift. Informer deg hos myndighetene på stedet eller hos din fagforhandler hvor det finnes recycling bedrifter og oppsamlingssteder.
	n_0 Tomgangsturtall
	V Spenning
	Likestrøm
	Europeisk samsvarsmerke
	Britisk samsvarsmerke
	Ukrainsk samsvarsmerke
	Euroasiatisk samsvarsmerke

TEKNISKA DATA

	M18 FROP15	M18 FROP21
Typ	Polermaskin	Polermaskin
Produktionsnummer	4838 77 01 XXXXXX MJJJJ	4911 31 01 XXXXXX MJJJJ
Batterispänning	18 V =	18 V =
Märkvarvtal	0 - 5100 min ⁻¹	0 - 4500 min ⁻¹
Tomgångsvarvtal, obelastad	2650 - 5100 min ⁻¹	2400 - 4500 min ⁻¹
Polerplatta Diameter	125 mm	150 mm
Polerkudde Diameter max.	125 mm	150 mm
Svängningscirkel-ø	15 mm	21 mm
Vikt enligt EPTA 01/2014 (Li-Ion 2,0 Ah ... 12,0 Ah)	2,9 ... 4,0 kg	3,0 ... 4,2 kg
Rekommenderad omgivningstemperatur för driften	-18 ... +50 °C	
Rekommenderade batterier (Akkupacks)	M18B...; M18HB...	
Rekommenderade laddare	M12-18...; M1418C6	

Bullerinformation: Mätvärdena har tagits fram baserade på EN 62841.

A-värdet av maskinens ljudnivå utgör:

Ljudtrycksnivå / Onoggrannhet K	78,0 dB (A) / 3 dB (A)	77,0 dB (A) / 3 dB (A)
Ljudeffektsnivå / Onoggrannhet K	89,0 dB (A) / 3 dB (A)	88,0 dB (A) / 3 dB (A)

Använd hörselskydd!

Vibrationsinformation: Totala vibrationsvärdet (vektorsumma ur tre riktningar) framtaget enligt EN 62841.

Vibrationsemissionsvärde a_{hv} / Onoggrannhet K	9,7 m/s ² / 1,5 m/s ²	14,7 m/s ² / 1,5 m/s ²
--	---	--

⚠ VARNING!

De deklarerade vibrations- och bullernivåerna på detta informationsblad har oppmåts i enlighet med en standardisert testmetode enligt EN 62841 och kan användas för att jämföra ett verktøy med ett annet. Det kan användas för en preliminär bedømming av exponeringen.

Den angivne vibrations- og bullernivån representerer verktøyetts hovedsaklige tillämpningar. Om verktøyet emellertid används för olika tillämpningar, med olika eller dåligt underhållna tillbehör, kan vibrations- og bullerutsläppet variera. Detta kan öka exponeringsnivån avsevärt över den totala arbetsperioden.

En uppskattning av exponeringsnivån för vibrationer og buller bör även ta hänsyn till de tider då verktøyet är avstängt eller när det körs utan att faktiskt arbeta. Detta kan avsevärt minska exponeringsnivån över den totala arbetsperioden.

Identifera ytterligare säkerhetsåtgärder för att skydda operatören mot effekterna av vibrationer och/eller buller såsom: underhåll av verktøyet och tillbehören, hålla händerna varma, organisation av arbetsmönster.

⚠ VARNING! Läs alla säkerhetsanvisningar, instruktioner, beskrivningar og oppgifter som du får tillsammans med apparaten. Om nedanstående anvisningar ignoreras finns risk för att elstöt, brand och/eller allvarliga personskador uppstår.

Förvara alla varningar og anvisningar för framtida bruk.

ÖVRIGA SÄKERHETS- OCH ANVÄNDNINGSIKSTRUKTIONER

Lakttag största försiktighet när maskinen är igång.

Avlägsna aldrig spån eller flisor när maskinen är igång.

Frånkoppla maskinen omedelbart om kraftiga vibrationer uppstår eller andra feilfunksjoner registreras. Kontrollera maskinen för lokalisering av orsak.

Spänn fast arbeidsstycket om det inte ligger stadigt till följd av egen vikt.

OBS! Undvik att metalldele hamnar i luftslitsarna - risk for kortslutning!

WARNING! För att undvika den fara for brand, personskador eller produktskador som orsakas av en kortslutning, doppa inte ner verktøyet, utbytesbatteriet eller laddaren i vætskor og se till att ingen vætska kan tränga in i apparaterna eller batterierna. Korroderande eller ledande vætskor, som saltvatten, vissa kemikalier, blekningsmedel eller produkter som inneholder blekmedel, kan orsaka en kortslutning.

Batterier lagras torrt og skyddas för fukt.

System M18 batterier laddas endast i System M18 laddare. Ladda inte batterier från andra system.

ANVÄND MASKINEN ENLIGT ANVISNINGARNA

Polermaskinen kan användas för polering av lack, beläggningar, plaster og andra släta ytor.

Använd inte produkten på något annat sätt än vad som anges som avsedd användning.

Batteri-överbelastningskydd för litiumjonbatterier

Om det laddningsbara batteriet överbelastas genom en mycket hög strömförbrukning, t.ex. extremt höga vridmoment, ett plötsligt stopp eller en kortslutning, så vibrerar elverktyget i 5 sekunder, laddningsindikeringen blinkar och elverktyget fränkopplas automatiskt.

För att sedan sätta på elverktyget igen släpper du tryckbrytaren och tillkopplar sedan verktyget igen. Vid en extrem belastning blir det laddningsbara batteriet för varmt. I detta fall blinkar alla lampor på laddningsindikeringen så länge tills batteriet har svalnat. När laddningsindikeringen har slocknat kan du fortsätta med arbetet.

Transportera litiumjon-batterier

För litiumjon-batterier gäller de lagliga föreskrifterna för transport av farligt gods på väg.

Därför får dessa batterier endast transporteras enligt gällande lokala, nationella och internationella föreskrifter och bestämmelser.

Konsumenter får transportera dessa batterier på allmän väg utan att behöva beakta särskilda föreskrifter.

För kommersiell transport av litiumjon-batterier genom en speditönsfirma gäller emellertid bestämmelserna för transport av farligt gods på väg. Endast personal som känner till alla tillämpliga föreskrifter och bestämmelser får förbereda och genomföra transporten. Hela processen ska följas upp på fackmässigt sätt.

Följande ska beaktas i samband med transporten av batterier:

Säkerställ att alla kontakter är skyddade och isolerade för att undvika kortslutning.

Se till att batteripacken inte kan glida fram och tillbaka i förpackningen. Transportera aldrig batterier som läcker, har runnit ut eller är skadade. För mer information vänligen kontakta din speditönsfirma.

ARBETSANVISNINGAR

Använd alltid handtagen för korrekt kontroll. Förflytta polermaskinen fram och tillbaka med långa, svepande rörelser. För mycket tryck, fel vinkel eller felaktiga rörelser kan orsaka invelmärken eller brännskador.

För detaljerade poleringsinstruktioner, läs instruktionerna som medföljer ytbehandlingsar, vaxer och polermedel.

WARNING! Följ instruktionerna för att förhindra upphakning för att reducera risken för personskador. Upphakning kan få verktyget att slungas tillbaka, vilket kan innebära att operatören plötsligt förlorar kontrollen över verktyget. Använd alltid knopphandtag för att bibehålla kontrollen.

Förhindra upphakning

Upphakning inträffar när poleringskuddar fastnar på grova kanter på en arbetsyta. Upphakning kan orsaka att verktyget plötsligt "slungas tillbaka" vilket kan få kudden att brinna igenom färgen. För att minska risken för upphakning bör polermaskinen på grova ytor användas med låg hastighet. För svåra områden, till exempel nära beklädnad eller mellan spegel och fönster på en bil, bör man inte använda en polermaskin. Polera dessa ytor för hand.

TVÄTTRÅD










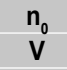





Se till att motorhöljets luftsitsar är rena.

SKÖTSEL

Använd endast Milwaukee-tillbehör och Milwaukee-reservdelar. Komponenter, för vilka inget byte beskrivs, skall bytas ut hos Milwaukee-kundtjänst (se broschyren garanti-/kundtjänstadresser).

Vid behov av sprängskiss, kan en sådan, genom att uppge maskinens art. nr. (som finns på typskylten) erhållas från: Techtronic Industries GmbH, Max-Eyth-Straße 10, 71364 Winnenden, Germany.

SYMBOLER

	Läs instruktionen noga innan du startar maskinen.
	OBSERVERA! VARNING! FARA!
	Drag ur batteripaket innan arbete utföres på maskinen.
	Använd ingen kraft.
	Använd alltid skyddsglasögon.
	Dammfilter
	Tillbehör - Ingår ej i leveransomfånget, erhålles som tillbehör.
	Elektriska maskiner, batterier/upp-laddningsbara batterier och får inte slängas tillsammans med de vanliga hushållsoporna. Elektriska maskiner och upp-laddningsbara batterier ka samlas separat och lämnas till en avfallsstation för miljövänlig avfallshandling. Kontakta den lokala myndigheten respektive kommunen eller fråga återförsäljare var det finns speciella avfallsstationer för elskrot.
	n_0 Tomgångsvarvtal, obelastad
	Spänning
	Likström
	Europeiskt konformitetsmärke
	Britiskt konformitetsmärke
	Ukrainskt konformitetsmärke
	Euroasiatiskt konformitetsmärke

TEKNISSET ARVOT

	M18 FROP15	M18 FROP21
Typ	Kiillotuskone	Kiillotuskone
Tuotantonumero	4838 77 01 XXXXXX MJJJJ	4911 31 01 XXXXXX MJJJJ
Jännite vaihtoakku	18 V =	18 V =
Nimellinen kierrosluku	0 - 5100 min ⁻¹	0 - 4500 min ⁻¹
Kuormittamaton kierrosluku	2650 - 5100 min ⁻¹	2400 - 4500 min ⁻¹
Kiillotuslautanen Läpimitta	125 mm	150 mm
Kiillotustyyny Läpimitta maks.	125 mm	150 mm
Värähtelyliikkeen-ø	15 mm	21 mm
Paino EPTA-menettelyn 01/2014 mukaan (Li-Ion 2,0 Ah ... 12,0 Ah)	2,9 ... 4,0 kg	3,0 ... 4,2 kg
Suosittelun ympäristön lämpötila käytön aikana	-18 ... +50 °C	
Suosittelut akkusarjat	M18B...; M18HB...	
Suosittelut latauslaitteet	M12-18...; M1418C6	
Melunpäästö tiedot: Mitta-arvot määritetty EN 62841 mukaan. Koneen tyyppillinen A-luokitettu melutaso:		
Melutaso / Epävarmuus K	78,0 dB (A) / 3 dB (A)	77,0 dB (A) / 3 dB (A)
Äänenvoimakkuus / Epävarmuus K	89,0 dB (A) / 3 dB (A)	88,0 dB (A) / 3 dB (A)
Käytä kuulosuojaimia!		
Tärinätiedot: Värähtelyn yhteisarvot (kolmen suunnan vektorisummitattuna EN 62841 mukaan).		
Värähtelyemissioarvo a_h / Epävarmuus K	9,7 m/s ² / 1,5 m/s ²	14,7 m/s ² / 1,5 m/s ²

VAROITUS!

Tässä tiedotteessa ilmoitettu (ilmoitetut) tärinä- ja melupäästöarvo(t) on mitattu standardisoidulla testimenetelmällä SFS-EN 62841 mukaisesti ja sitä voidaan käyttää työkalun vertailumiseen toisen työkalun kanssa. Sitä voidaan käyttää alustavaan altistuksen arviointiin.

Ilmoitettu tärinä- ja melupäästöarvo koskee työkalun pääkäyttötarkoituksia. Jos kuitenkin työkalua käytetään eri käyttötarkoituksiin eri varusteiden kanssa tai huonosti huollettuna, voi tärinä- ja melupäästö erota ilmoitetusta. Tämä voi merkittävästi nostaa altistumistasoa koko työskentelyjakson ajaksi.

Arvioidussa tärinä- ja meluallistustasossa tulisi ottaa huomioon myös työkalun sammutuskerrat tai sen tyhjäkäynti. Tämä voi merkittävästi laskea altistumistasoa koko työskentelyjakson ajaksi.

Tunnista esimerkiksi seuraavat lisävarotoimet, joilla voidaan suojata käyttäjää tärinän ja/tai melun vaikutuksilta: työkalun ja varusteiden ylläpito, käsin lämpimänä pito, työnkulun organisointi.

VAROITUS! Lue kaikki varotoimenpiteet, ohjeet, kuvalliset esitykset ja tiedot, jotka toimitetaan laitteen mukana. Ellet noudata seuraavia ohjeita, saattaa se johtaa sähköiskuun, tulipaloon ja/tai vaikeisiin loukkaantumisiin.

Säilytä kaikki turvallisuus- ja muut ohjeet tulevaisuutta varten.

TÄYDENTÄVIÄ TURVALLISUUSMÄÄRÄYKSIÄ JA TYÖSKENTELYOHJEITA

Älä tartu käynnistetyn laitteen työskentelyalueelle. Lastuja tai puruja ei saa poistaa koneen käydessä.

Pysäytä laite välittömästi jos siinä esiintyy huomattavaa värähtelyä tai huomaat muuta puutetta. Tarkista kone vian aiheuttajan määrittelemiseksi.

Työstettävä kappale on kiinnitettävä, ellei se omapainonsa vuoksi pysy paikallaan.

Älä päästä metalliesineitä tuuletusaukkoihin - oikosulkuvaara

VAROITUS! Jotta vältetään lyhytsulun aiheuttama tulipalon, loukkaantumisen tai tuotteen vahingoittumisen vaara, älä koskaan upota työkalua, vaihtoakkuja tai latauslaitetta nesteeseen ja huolehdi siitä, ettei mitään nesteitä pääse tunkeutumaan laitteiden tai akkujen sisään. Syövyttävät tai sähköä johtavat nesteet, kuten suolavesi, tietyt kemikaalit ja lalkaisuaaineet tai valkaisuaaineita sisältävät tuotteet voivat aiheuttaa lyhytsulun.

Vaihtoakkuja ja latauslaitteita ei saa avata. Säilytys vain kuivissa tiloissa. Suojattava kosteudelta.

Käytä ainoastaan System M18 latauslaitetta System M18 akkujen lataukseen. Älä käytä muiden järjestelmien akkuja.

TARKOITUKSEN MUKAINEN KÄYTTÖ

Kiillotuskonetta voidaan käyttää lakka- ja muovipintojen sekä muiden sileiden pintojen ja pinnoitteiden kiillotukseen.

Älä käytä tuotetta muuhun kuin sille tarkoitettuun käyttöön.

JÄÄMÄRISKIT

Kaikkia jäämärkejä ei voida sulkea pois myöskään määräysten mukaisen käytön aikana. Käytössä saattaa syntyä seuraavia vaaroja, joita käyttäjän tulisi varoa erityisen huolella:

- Tärinän aiheuttamat vammat. Pitele laitetta tähän tarkoitettuista kahvoista ja rajoita työskentely- ja altistumisaikaa.
- Melurasitus saattaa aiheuttaa kuulovaurioita. Käytä kuulosuojaimia ja rajoita altistumisen kesto.
- Likahiukkasten aiheuttamat silmävammat. Käytä aina suojalaseja, tukevia pitkälahkeisia housuja, käsiineitä ja tukevia jalkineita.
- Myrkyllisten pölyjen sisäinhengittäminen.

LI-IONI AKKUIEN OHJEITA

Li-ioniakkujen käyttö

Pitkään käyttämättä olleet vaihtoakut on ladattava ennen käyttöä.

Yli 50°C lämpötilassa akun suorituskyky heikkenee. Välttämättä akkujen säilyttämistä auringossa tai kuumissa tiloissa. Pidä aina latauslaitteen ja akun kosketuspinnat puhtaina.

Optimaalisen käyttöiän saavuttamiseksi akut on ladattava täyteen käytön jälkeen.

Mahdollisimman pitkän elinajan takaamiseksi akut tulee poistaa laturista lataamisen jälkeen.

Akkua yli 30 päivää säilytettäessä: Säilytä akku yli 27 °C:ssa ja kuivassa.

Säilytä akku sen latauksen ollessa 30 % - 50 %.

Lataa akku 6 kuukauden välein uudelleen.

Li-ioniakkujen yli lataussuojaus

Jos akku ylikuormittuu erittäin suuren virrankulutuksen takia, esim. erittäin voimakkaiden vääntömomenttien, äkillisen pysähtymisen tai oikosulun vuoksi, niin sähkötyökalu tärisee 5 sekunnin ajan, latausnäyttö vilkkuu ja sähkötyökalu sammuu omatoimisesti.

Käynnistä laite uudelleen päästämällä katkaisinpainikkeen irti ja käynnistämällä laitteen sitten uudelleen. Erittäin suuressa kuormituksessa akku kuumenee liikaa. Tässä tapauksessa latausnäytön kaikki lamput vilkkuvat, kunnes akku on jäähtynyt. Kun latausnäyttö on sammunut, voi työtä jatkaa.

Litiumi-ioniakkujen kuljettaminen

Litiumi-ioniakut kuuluvat vaarallisten aineiden kuljetuksesta annettujen lakien piiriin.

Näiden akkujen kuljettaminen täytyy suorittaa noudattaen paikallisia, kansallisia ja kansainvälisiä määräyksiä ja säädöksiä.

Kuluttajat saavat ilman muuta kuljettaa näitä akkuja teitä pitkin.

Kaupallisessa kuljetuksessa huolintaliikkeiden täytyy kuljettaa litiumi-ioniakkuja vaarallisten aineiden kuljetuksesta annettujen määräysten mukaisesti. Ainoastaan tähän vastaavasti koulutetut henkilöt saavat suorittaa kuljetuksen valmisteluimet ja itse kuljetuksen. Koko prosessia tulee valvoa asiantuntevasti.

Seuraavat kohdat tulee huomioida akkuja kuljettaessa:

Varmista, että akkujen kontaktit on suojattu ja eristetty, jotta vältetään lyhytsulut.

Huolehdi siitä, ettei akkusarja voi luiskahtaa paikaltaan pakkauksen sisällä. Vahingoittuneita tai vuotavia akkuja ei saa kuljettaa. Pyydä tarkemmat tiedot huolintaliikkeeltäsi.

TYÖSKENTELYOHJEITA

Käytä aina kahvoja hyvää ohjattavuutta varten. Liikuta kiillotuskonetta edestakaisin pitkin, pyyhkivin liikkein. Liian suuri paine, väärä kulma tai vääränlainen liike voi aiheuttaa pyörteen jälkiä tai palamista.

Lue yksityiskohtaiset kiillotusohjeet viimeistelyaineiden, vahojen ja kiillotusaineiden mukana toimitetuista ohjeista.

VAROITUS! Vähennä loukkaantumisriskiä noudattamalla tarttumisen estämiseen liittyviä ohjeita. Kiinni tarttunut työkalu voi potkaista takaisin ja aiheuttaa sen, että käyttäjä menettää äkillisesti työkalun hallinnan. Käytä aina kahvoja säilyttäaksesi työkalun hallinnan.

Tarttumisen estäminen

Tarttumista tapahtuu, kun kiillotuslaitat jäävät kiinni työpinnan karkeisiin kulmiin. Työkalu voi äkillisesti "potkaista takaisin" tarttuessaan kiinni ja aiheuttaa laikan palamisen maalin läpi. Vähennä tarttumisvaaraa käyttämällä kiillotuskonetta matalalla nopeudella karkeitä pintoja kiillotettaessa. Älä kiillota koneella hankalia alueita, kuten viimeistelyn ympärillä olevia alueita tai auton peiliin ja ikkunan välissä olevaa aluetta. Kiillota nämä pinnat käsin.

PUHDISTUS

Pidä moottorin ilmanottoaukot puhtaina.

HUOLTO

Käytä ainoastaan Milwaukee lisätarvikkeita ja Milwaukee varaosia. Mikäli jokin komponentti, jota ei ole kuvailtu, tarvitsee vaihtoa ota yhteys johonkin Milwaukee palvelupisteistä (kts. listamme takuuhuoltoilikkeiden/ palvelupisteiden osoitteista)

Tarpeen vaatiessa voit pyytää lähettämään laitteen kokoonpanopiirustuksen ilmoittamalla arvokilven numeron seuraavasta osoitteesta: Techtronic Industries GmbH, Max-Eyth-Straße 10, 71364 Winnenden, Germany.

SYMBOLIT



Lue käyttöohjeet huolellisesti, ennen koneen käynnistämistä.



HUOMIO! VAROITUS! VAARA!



Ota akku pois ennen kaikkia koneeseen tehtäviä toimenpiteitä.



Älä käytä väkivoimaa.



Käytä laitteella työskennellessäsi aina suojalaseja.



Pölysuodatin



Lisälaite - Ei sisälly vakiovarustukseen, saatavana lisätarvikkeena.



Sähkölaitteita, paristoja/akkuja ei saa hävittää yhdessä kotitalousjätteen kanssa. Sähkölaitteet ja akut tulee kerätä erikseen ja toimittaa kierrätysliik- keeseen ympäristöstävällistä hävittämistä varten. Pyydä paikallisilta viranomaisilta tai alan kauppiailta tarkemmat tiedot kierrätyspisteistä ja keräyspaikoista.



Kuormittamaton kierrosuku



Jännite



Tasavirta



Euroopan säännönmukaisuusmerkki



Britannian säännönmukaisuusmerkki



Ukrainan säännönmukaisuusmerkki



Euraasian säännönmukaisuusmerkki

TEKNIKA SITOIEIA

	M18 FROP15	M18 FROP21
Κατασκευαστικό είδος	ΤΡΟΧΟΣ ΣΤΙΛΒΩΣΗΣ	ΤΡΟΧΟΣ ΣΤΙΛΒΩΣΗΣ
Αριθμός παραγωγής	4838 77 01 XXXXX MJJJ	4911 31 01 XXXXX MJJJ
Τάση ανταλλακτικής μπαταρίας	18 V =	18 V =
Όνομαστικός αριθμός στροφών	0 - 5100 min ⁻¹	0 - 4500 min ⁻¹
Αριθμός στροφών χωρίς φορτίο	2650 - 5100 min ⁻¹	2400 - 4500 min ⁻¹
Δίσκος λείανσεως Διάμετρος	125 mm	150 mm
Προβιά Διάμετρος Μέγ.	125 mm	150 mm
Διάμετρος κύκλου δόνησης	15 mm	21 mm
Βάρος σύμφωνα με τη διαδικασία EPTA 01/2014 (Li-Ion 2,0 Ah ... 12,0 Ah)	2,9 ... 4,0 kg	3,0 ... 4,2 kg
Συνιστώμενη θερμοκρασία περιβάλλοντος για τη λειτουργία		-18 ... +50 °C
Συνιστώμενη δέσμη συσσωρευτών		M18B...; M18HB...
Συνιστώμενη συσκευή φόρτισης		M12-18...; M1418C6
Πληροφορίες θορύβου: Τιμές μέτρησης εξακριβωμένες κατά EN 62841. Η σύμφωνα με την καμπύλη A εκτιμηθείσα στάθμη θορύβου του μηχανήματος αναφέρεται σε:		
Στάθμη ηχητικής πίεσης / Ανασφάλεια K	78,0 dB (A) / 3 dB (A)	77,0 dB (A) / 3 dB (A)
Στάθμη ηχητικής ισχύος / Ανασφάλεια K	89,0 dB (A) / 3 dB (A)	88,0 dB (A) / 3 dB (A)
Φοράτε προστασία ακοής (ωασιπίδες)!		
Πληροφορίες δόνησεων: Υλικές τιμές κραδασμών (άθροισμα διανυσμάτων τριών διευθύνσεων) εξακριβώθηκαν σύμφωνα με τα πρότυπα EN 62841.		
Τιμή εκπομπής δόνησεων a _h / Ανασφάλεια K	9,7 m/s ² / 1,5 m/s ²	14,7 m/s ² / 1,5 m/s ²

ΠΡΟΕΙΔΟΠΟΙΗΣΗ!

Το αναφερόμενο στο παρόν φυλλάδιο επίπεδο τιμών δόνησης και εκπομπής θορύβου έχει μετρηθεί σύμφωνα με μια τυπική μέθοδο δοκιμών κατά το πρότυπο EN 62841 και μπορεί να χρησιμοποιηθεί για τη σύγκριση εργαλείων μεταξύ τους. Μπορεί να χρησιμοποιηθεί για μια προκαταρκτική αξιολόγηση της έκθεσης.

Οι αναφερόμενες τιμές επιπέδων δόνησης και εκπομπής θορύβου αντιστοιχούν στις βασικές εφαρμογές του εργαλείου. Στην περίπτωση χρήσης του εργαλείου σε διαφορετικές εφαρμογές, με διαφορετικά εξαρτήματα ή ανεπαρκή συντήρηση, τα επίπεδα δόνησης και εκπομπής θορύβου ενδέχεται να διαφέρουν. Αυτό μπορεί να έχει ως συνέπεια μία σημαντική αύξηση των επιπέδων έκθεσης καθόλη τη διάρκεια εκτέλεσης των εργασιών.

Για μία εκτίμηση των επιπέδων έκθεσης σε δόνηση και θόρυβο πρέπει να συνυπολογίζονται οι χρόνοι απενεργοποίησης του εργαλείου ή αυτοί κατά τους οποίους παραμένει ενεργό χωρίς να εκτελείται κάποια εργασία. Αυτό μπορεί να μειώσει σημαντικά τα επίπεδα έκθεσης καθόλη τη διάρκεια εκτέλεσης των εργασιών.

Ορίστε πρόσθετα μέτρα προστασίας του χειριστή από την έκθεση στη δόνηση ή/και στον θόρυβο όπως: συντήρηση του εργαλείου και των παρελκόμενων εξαρτημάτων, διατήρηση θερμότητας των χεριών, οργάνωση μοτίβων εργασίας.

ΠΡΟΕΙΔΟΠΟΙΗΣΗ! Διαβάστε όλες τις υποδείξεις ασφαλείας, τις οδηγίες, τις εικόνες και τα δεδομένα, τα οποία θα λάβετε μαζί με το μηχάνημα. Η μη τήρηση των οδηγιών που ακολουθούν, μπορεί να οδηγήσει σε ηλεκτροπληξία, φωτιά και/ή σε σοβαρούς τραυματισμούς.
Φυλάξτε όλες τις προειδοποιητικές υποδείξεις και οδηγίες για κάθε μελλοντική χρήση.

ΠΕΡΑΙΤΕΡΩ ΟΔΗΓΙΕΣ ΑΣΦΑΛΕΙΑΣ ΚΑΙ ΧΡΗΣΕΩΣ

Μην απλώνετε τα χέρια σας στην επικίνδυνη περιοχή της μηχανής όταν είναι σε λειτουργία.

Τα γρέζια ή οι σκλήθρες δεν επιτρέπεται να απομακρύνονται όσο η μηχανή βρίσκεται σε λειτουργία.

Θέστε τη συσκευή αμέσως εκτός λειτουργίας όταν παρουσιαστούν σημαντικοί κραδασμοί ή διαπιστωθούν άλλα ελαττώματα. Ελέγξτε τη μηχανή, για να διαπιστώσετε την αιτία.

Το προς επεξεργασία κομμάτι πρέπει να σφίχτει καλά, όταν δεν μπορεί να κρατηθεί με το ίδιο του το βάρος.

Λόγω του κινδύνου βραχυκυκλώματος δεν επιτρέπεται να μπαίνουν μεταλλικά αντικείμενα στις σχισμές εξερισμού.

ΠΡΟΕΙΔΟΠΟΙΗΣΗ! Για να αποτρέπεται τον κίνδυνο πυρκαγιάς λόγω βραχυκυκλώματος, τραυματισμούς ή ζημιές του προϊόντος, να μη βυθίζετε το εργαλείο, τον ανταλλακτικό συσσωρευτή ή τη συσκευή φόρτισης σε υγρά και να φροντίζετε, ώστε να μη διεισδύουν υγρά στις συσκευές και τους συσσωρευτές. Διαβρωτικές ή αγώγιμες υγρές ουσίες, όπως αλατόνερα, ορισμένες χημικές ουσίες και λευκαντικά ή προϊόντα που περιέχουν λευκαντικά, μπορεί να προκαλέσουν βραχυκύκλωμα. Μην ανοίγετε τις ανταλλακτικές μπαταρίες και

τους φορτιστές και χρησιμοποιείτε για αποθήκευση μόνο στεγνούς χώρους. Προστατεύετε τις ανταλλακτικές μπαταρίες και τους φορτιστές από την υγρασία.

Φορτίζετε τις ανταλλακτικές μπαταρίες του συστήματος M18 μόνο με φορτιστές του συστήματος M18. Μη φορτίζετε μπαταρίες από άλλα συστήματα.

ΧΡΗΣΗ ΣΥΜΦΩΝΑ ΜΕ ΤΟ ΣΚΟΠΟ ΠΡΟΟΡΙΣΜΟΥ

Η συσκευή γυαλισματος χρησιμοποιείται για το γυάλισμα βαφών, επικαλύψεων, πλαστικών και άλλων λείων επιφανειών.

Μη χρησιμοποιείτε το προϊόν με οποιονδήποτε άλλο τρόπο από αυτούς που δηλώνονται για την προβλεπόμενη χρήση.

ΛΟΙΠΟΙ ΚΙΝΔΥΝΟΙ

Ακόμη και σε κανονική χρήση δεν μπορούν να αποκλειστούν όλοι οι υπολειπόμενοι κίνδυνοι. Κατά τη χρήση θα μπορούσαν να προκύψουν οι ακόλουθοι κίνδυνοι, στους οποίους θα έπρεπε να δίνει ο χειριστής ιδιαίτερη προσοχή:

- Τραυματισμοί που προκύπτουν από δονήσεις. Να κρατάτε το μηχάνημα από τις προβλεπόμενες για το σκοπό αυτό χειρολαβές και να περιορίζετε το χρόνο εργασίας και έκθεσης.
- Η χορηγύπανση μπορεί να οδηγήσει σε ακουστικά τραύματα. Να φοράτε προστατευτικά ακοής και να περιορίζετε τη διάρκεια έκθεσης.
- Τραυματισμοί των οφθαλμών που προκύπτουν από ρυπογόνα σωματίδια. Να φοράτε πάντα προστατευτικά γυαλιά, ανθεκτικά, μακριά παντελόνια, γάντια και ανθεκτικά υποδήματα.
- Εισπνοή δηλητηριώδους σκόνης.

ΥΠΟΔΕΙΞΕΙΣ ΓΙΑ ΕΠΑΝΑΦΟΡΤΙΖΟΜΕΝΕΣ ΜΠΑΤΑΡΙΕΣ ΙΟΝΤΩΝ ΛΙΘΙΟΥ

Χρήση επαναφορτιζόμενων μπαταριών ιόντων λιθίου

Επαναφορτίζετε τις ανταλλακτικές μπαταρίες που δεν έχουν χρησιμοποιηθεί για μεγαλύτερο χρονικό διάστημα πριν τη χρήση.

Μια θερμοκρασία πάνω από 50°C μειώνει την ισχύ της ανταλλακτικής μπαταρίας. Αποφύγετε τη θέρμανση για μεγαλύτερο χρονικό διάστημα από τον ήλιο ή τις συσκευές θέρμανσης.

Διατηρείτε τις επαφές σύνδεσης στο φορτιστή και στην ανταλλακτική μπαταρία καθαρές.

Για μια άριστη διάρκεια ζωής πρέπει μετά τη χρήση οι μπαταρίες να φορτιστούν πλήρως.

Για μια κατά το δυνατόν μεγάλη διάρκεια ζωής οι μπαταρίες μετά τη φόρτιση οφείλουν να αφαιρεθούν από το φορτιστή.

Για την αποθήκευση της μπαταρίας για διάστημα μεγαλύτερο των 30 ημερών:

Αποθηκεύετε τη μπαταρία περ. στους 27°C σε στεγνό χώρο.

Αποθηκεύετε τη μπαταρία περ. στο 30%-50% της κατάστασης φόρτισης.

Κάθε 6 μήνες φορτίζετε εκ νέου τη μπαταρία.

Προστασία υπερφόρτισης επαναφορτιζόμενων μπαταριών ιόντων λιθίου

Σε υπερφόρτωση της μπαταρίας από πολύ υψηλή κατανάλωση ρεύματος, π. χ. από ακραίες υψηλές ροπές περιστροφής, μπλοκάρισμα του τρυπανιού, δονείται το ηλεκτρικό εργαλείο για 5 δευτερόλεπτα, αναβοσβήνει η ένδειξη φόρτισης και το ηλεκτρικό εργαλείο απενεργοποιείται αυτόματα.

Για μια νέα ενεργοποίηση, αφήνετε ελεύθερο το διακόπτη και στη συνέχεια ενεργοποιείτε εκ νέου. Κάτω από ακραίες καταπονήσεις θερμαίνεται πάρα πολύ η μπαταρία. Στην περίπτωση αυτή αναβοσβήνουν όλες οι λάμπες της ένδειξης φόρτισης μέχρι να έχει κρυώσει η μπαταρία. Μετά το σβήσιμο της ένδειξης φόρτισης μπορεί να συνεχιστεί η συνεργασία.

Μεταφορά των μπαταριών ιόντων λιθίου

Οι μπαταρίες ιόντων λιθίου υπόκεινται στις απαιτήσεις των νομικών διατάξεων για την μεταφορά επικινδύνων εμπορευμάτων.

Η μεταφορά τέτοιων μπαταριών πρέπει να πραγματοποιείται τηρώντας τους τοπικούς, εθνικούς και διεθνείς κανονισμούς και τις αντίστοιχες διατάξεις.

Επιτρέπεται η μεταφορά τέτοιων μπαταριών στο δρόμο χωρίς περαιτέρω απαιτήσεις.

Η εμπορική μεταφορά μπαταριών ιόντων λιθίου από εταιρείες μεταφορών υπόκειται στις απαιτήσεις των νομικών διατάξεων για την μεταφορά επικινδύνων εμπορευμάτων. Οι προετοιμασίες αποστολής και η μεταφορά πραγματοποιούνται αποκλειστικά από ειδικά εκπαιδευμένα πρόσωπα. Η συνολική διαδικασία συνοδεύεται από εξειδικευμένο προσωπικό.

Κατά τη μεταφορά μπαταριών ιόντων λιθίου πρέπει να προσέχετε τα εξής:

Φροντίστε τα σημεία επαφών να είναι προστατευμένα και μονωμένα ώστε να αποφευχθούν βραχυκυκλώματα.

Προσέξτε το πακέτο μπαταριών να είναι σταθερό μέσα στη συσκευασία και να μη γλιστρά. Η μεταφορά μπαταριών που παρουσάζουν φθορές ή διαρροές δεν επιτρέπεται. Για περισσότερες πληροφορίες απευθυνθείτε στην εταιρεία μεταφορών.

ΥΠΟΔΕΙΞΕΙΣ ΕΡΓΑΣΙΑΣ

Χρησιμοποιείτε πάντα τις λαβές για σωστό έλεγχο. Μετακινείτε το στιλβωτικό μπρος-πίσω με μακριές, σαρωτικές κινήσεις. Η υπερβολική πίεση, η λανθασμένη γωνία ή η ακατάλληλη κίνηση μπορεί να προκαλέσουν σημάδια στροβιλισμού ή κάψιμο.

Για λεπτομερείς οδηγίες στίλβωσης, διαβάστε τις οδηγίες που παρέχονται με τα φινιρίσματα, τα κεριά και τα βερνίκια.

ΠΡΟΕΙΔΟΠΟΙΗΣΗ! Για να μειώσετε τον κίνδυνο τραυματισμού, ακολουθήστε τις οδηγίες για την πρόληψη εμπλοκής. Η εμπλοκή μπορεί να προκαλέσει την ανάκρουση του εργαλείου και την ξαφνική απώλεια ελέγχου του εργαλείου από τον χειριστή. Χρησιμοποιείτε πάντα τη σφαιρική λαβή για να διατηρείτε τον έλεγχο.

Πρόληψη εμπλοκής

Η εμπλοκή συμβαίνει όταν οι δίσκοι στίλβωσης παγιδεύονται στις τραχιές άκρες μίας επιφάνειας εργασίας. Η εμπλοκή μπορεί να προκαλέσει την ξαφνική ανάκρουση του εργαλείου και ενδέχεται να προκαλέσει το κάψιμο του δίσκου από τη βαφή. Για να μειώσετε τον κίνδυνο εμπλοκής, χρησιμοποιείτε το στιλβωτικό σε χαμηλές ταχύτητες όταν γυαλίζετε τραχιές επιφάνειες. Για δύσκολες περιοχές, όπως κοντά στο τελείωμα ή μεταξύ ενός καθρέφτη και ενός παραθύρου σε ένα αυτοκίνητο, μην το διακινδυνεύετε με ένα στιλβωτικό. Γυαλίστε αυτές τις επιφάνειες με το χέρι.

ΣΥΝΤΗΡΗΣΗ ΚΑΙ ΚΑΘΑΡΙΣΜΟΣ












Διατηρείτε πάντοτε τις σχισμές εξερισμού της μηχανής καθαρές.

ΣΥΝΤΗΡΗΣΗ

Χρησιμοποιείτε μόνο αξεσουάρ Milwaukee και ανταλλακτικά Milwaukee. Εξαρτήματα, που η αλλαγή τους δεν περιγράφεται, αντικαθίστανται σε μια τεχνική υποστήριξη της Milwaukee (βλέπε φυλλάδιο εγύηση/ διευθύνσεις τεχνικής υποστήριξης).

Όταν χρειάζεται, μπορείτε να ζητήσετε ένα σχέδιο συναρμολόγησης της συσκευής, δίνοντας τον τύπο της μηχανής και αριθμό στην πινακίδα ισχύος, από το κέντρο σέρβις ή απευθείας από τη φίρμα Techtronic Industries GmbH, Max-Eyth-Straße 10, 71364 Winnenden, Germany.

ΣΥΜΒΟΛΑ

	Παρακαλώ διαβάστε σχολαστικά τις οδηγίες χρήσης πριν από την έναρξη λειτουργίας.
	ΠΡΟΣΟΧΗ! ΠΡΟΕΙΔΟΠΟΙΗΣΗ! ΚΙΝΔΥΝΟΣ!
	Πριν από κάθε εργασία στη μηχανή αφαιρείτε την ανταλλακτική μπαταρία.
	Μην βάζετε δύναμη.
	Στις εργασίες με τη μηχανή φοράτε πάντοτε προστατευτικά γυαλιά.
	Φίλτρο σκόνης
	Εξαρτήματα - Δεν περιλαμβάνονται στα υλικά παράδοση, συνιστούμενη προσθήκη από το πρόγραμμα εξαρτημάτων.
	Ηλεκτρικά μηχανήματα, μπαταρίες/συσσωρευτές δεν επιτρέπεται να απορρίπτονται μαζί με τα οικιακά απορρίμματα. Ηλεκτρικά μηχανήματα και συσσωρευτές συλλέγονται ξεχωριστά και παραδίδονται προς ανακύκλωση με τρόπο φιλικό προς το περιβάλλον σε επιχείρηση επεξεργασίας απορριμμάτων. Ενημερωθείτε από τις τοπικές υπηρεσίες ή από ειδικευμένους εμπόρους σχετικά με κέντρα ανακύκλωσης και συλλογής απορριμμάτων.
n_0	Αριθμός στροφών χωρίς φορτίο
V	Τάση
	Συνεχές ρεύμα
	Ευρωπαϊκό σήμα πιστότητας
	Βρετανικό σήμα πιστότητας
	Ουκρανικό σήμα πιστότητας
001	
	Ευρασιατικό σήμα πιστότητας

TEKNİK VERİLER	M18 FROP15	M18 FROP21
Modeli	Polisaj makinesi	Polisaj makinesi
Üretim numarası	4838 77 01 XXXXXX MJJJJ	4911 31 01 XXXXXX MJJJJ
Kartuş akü gerilimi	18 V \approx	18 V \approx
Devir sayısı	0 - 5100 min ⁻¹	0 - 4500 min ⁻¹
Boşta ki devir sayısı	2650 - 5100 min ⁻¹	2400 - 4500 min ⁻¹
Polisaj disk çap	125 mm	150 mm
Polisaj pedi Çap Maks.	125 mm	150 mm
Titreşim çapı-ı	15 mm	21 mm
Ağırlığı ise EPTA-üretici 01/2014'e göre (Li-lon 2,0 Ah ... 12,0 Ah)	2,9 ... 4,0 kg	3,0 ... 4,2 kg
Çalıştırılması için tavsiye edilen ortam sıcaklığı	-18 ... +50 °C	
Tavsiye edilen güç paketleri	M18B...; M18HB...	
Tavsiye edilen şarj aletleri	M12-18...; M1418C6	
Gürültü bilgileri: Ölçüm değerleri EN 62841 e göre belirlenmektedir. Aletin, frekansa bağımlı uluslararası ses basıncı seviyesi değerlendirilme eğrisi A'ya göre tipik gürültü seviyesi:		
Ses basıncı seviyesi / Tolerans K	78,0 dB (A) / 3 dB (A)	77,0 dB (A) / 3 dB (A)
Akustik kapasite seviyesi / Tolerans K	89,0 dB (A) / 3 dB (A)	88,0 dB (A) / 3 dB (A)
Koruyucu kulaklık kullanın!		
Vibrasyon bilgileri: Toplam titreşim değeri (üç yönün vektör toplamı) EN 62841'e göre belirlenmektedir:		
titreşim emisyon değeri a _h / Tolerans K	9,7 m/s ² / 1,5 m/s ²	14,7 m/s ² / 1,5 m/s ²

⚠ UYARI!

Bu bilgi formunda belirtilen titreşim ve gürültü düzeyi EN 62841 uyarınca standart bir test yöntemine göre ölçülmüş olup, bir aleti diğerleriyle karşılaştırmak için kullanılabilir. Bir maruz kalma ön değerlendirmesi için de kullanılabilir.

Beyan edilmiş titreşim ve gürültü emisyon değeri aletin ana uygulamalarını temsil eder. Ancak, alet farklı uygulamalar için veya farklı aksesuarla kullanılır ya da aletin bakımı yetersiz yapılırsa, titreşim ve gürültü emisyonu farklılık gösterebilir. Bu, toplam çalışma süresi boyunca maruz kalma seviyesini önemli ölçüde artırabilir.

Titreşim ve gürültüye maruz kalma seviyesi tahmininde, aletin kapalı olduğu veya çalıştığı, ancak aslında işini yapmadığı süreler de göz önünde bulundurulmalıdır. Bu, toplam çalışma süresi boyunca maruz kalma seviyesini önemli ölçüde azaltabilir.

Operatörü titreşim ve/veya gürültünün etkilerinden korumak için, aletin ve aksesuarların bakımını yapmak, elleri sıcak tutmak ve çalışma biçimlerini düzenlemek gibi ilave güvenlik önlemleri belirleyin.

⚠ UYARI!

Cihazla birlikte gelen tüm güvenlik uyarılarını, talimatları, çizimleri ve bilgileri okuyun. Aşağıdaki talimat hükümlerine uymadığınız takdirde elektrik çarpması, yangın veya ağır yaralanma tehlikesi ile karşılaşabilirsiniz.

Bütün uyarıları ve talimat hükümlerini ileride kullanmak üzere saklayın.

EK GÜVENLİK VE ÇALIŞMA TALİMATLARI

Aletin tehlikeli olabilecek bölümlerini tutmayın.

Alet çalışır durumda iken talaş ve kırıntılarını temizlemeye çalışmayın.

Hissedilir ölçüde titreşim oluşmaya başlarsa veya normal olmayan başka aksaklıklar ortaya çıkarsa aleti hemen kapatın. Bu aksaklıkların nedenini belirlemek için aleti kontrol edin.

Kendi ağırlığı ile güvenli biçimde durmuyorsa iş parçasının uygun bir tertibatla sıkıca tespit edilmesi gerekir.

Kısa devre tehlikesi ortaya çıkacağından metal parçaların havalandırma aralıklarına girmemesi gerekir.

UYARI! Bir kısa devreden kaynaklanan yangın, yaralanma veya ürün hasarları tehlikesini önlemek için aleti, güç paketini veya şarj cihazını asla sıvıların içine daldırmayınız ve cihazların ve pillerin içine sıvı girmesini önleyiniz. Tuzlu su, belirli kimyasallar, ağartıcı madde veya ağartıcı madde içeren ürünler gibi korozif veya iletken sıvılar kısa devreye neden olabilir.

Kartuş aküleri ve şarj cihazını açmayın ve sadece kuru yerlerde saklayın. Neme ve ıslanmaya karşı koruyun.

M18 sistemli kartuş aküleri sadece M18 sistemli şarj cihazları ile şarj edin. Başka sistemli aküleri şarj etmeyin.

KULLANIM

Polisaj uçları takların, kaplamaların, plastiklerin ve diğer parlak yüzeyli malzemenin polisajı için kullanılabilir.

Aleti belirtilen kullanım amaçları dışında herhangi bir başka amaç için kullanmayın.

KALAN TEHLİKELER

Usulüne uygun kullanım durumunda da bütün kalan riskler ortadan kaldırılamaz. Kullanım sırasında, kullanıcının özellikle dikkat etmesi gerektiği aşağıdaki tehlikeler oluşabilir:

- Titreşimden dolayı oluşan yaralanmalar. Cihazı bunun için öngörülen kulplardan tutun ve çalışma ve maruz kalam sürelerini sınırlandırın.
- Gürültü yükü işitme zararlarına neden olabilir. Kulaklık takın ve maruz kalma süresini sınırlandırın.
- Kir parçacıklarından dolayı oluşan göz yaralanmaları. Daima koruyucu gözlük, sağlam uzun pantolon, eldiven ve sağlama ayakkabılar giyiniz.
- Zehirli tozların solunması.

LITYUM İYON PİLLER İÇİN AÇIKLAMALAR

Lityum iyon pillerin kullanılması

Uzun süre kullanım dışı kalmış kartuş aküleri kullanmadan önce şarj edin.

50°C üzerindeki sıcaklıklar kartuş akünün performansını düşürür. Akünün güneş ışığı veya mekân sıcaklığı altında uzun süre ısınmamasına dikkat edin.

Şarj cihazı ve kartuş aküdeki bağlantı kontaklarını temiz tutun.

Akünün ömrünün mükemmel bir şekilde uzun olması için kullandıktan sonra tamamen doldurulması gerekir.

Ömrünün mümkün olduğu kadar uzun olması için akülerin yüklemeye yapıldıktan sonra doldurma cihazından uzaklaştırılması gerekir.

Akünün 30 günden daha fazla depolanması halinde:

Aküyü takriben 27°C'de kuru olarak depolayın.

Aküyü yüklemeye durumunun takriben % 30 - %50 olarak depolayın. Aküyü her 6 ay yeniden doldurun.

Lityum iyon pillerin aşırı pil şarj koruması

Pek fazla elektrik tüketiminden dolayı, örneğin aşırı fazla devir momentleri, aniden durma veya kısa devre gibi aküye aşırı yüklenme durumunda elektro cihazı 5 saniye titreşir, yüklemeye göstergesi yanıp söner ve elektro cihaz kendiliğinden durur.

Yeniden çalıştırmak için şalter basısını serbest bırakın ve bundan sonra tekrar çalıştırın. Akü aşırı yüklenmeden dolayı fazla ısınır. Bu durumda akü soğuyana kadar yüklemeye göstergesinin bütün lambaları yanıp söner. Gösterge lambalarının sönmelerinden sonra tekrar çalışmaya devam edilebilir.

Lityum iyon pillerin taşınması

Lityum iyon piller tehlikeli madde taşımacılığı hakkındaki yasal hükümler tabidir.

Bu piller, bölgesel, ulusal ve uluslararası yönetmeliklere ve hükümlere uyularak taşınmak zorundadır.

Tüketiciler bu pilleri herhangi bir özel şart aranmaksızın karayoluyla taşıyabilirler.

Lityum iyon pillerin nakliye şirketleri tarafından ticari taşımacılığı için tehlikeli madde taşımacılığının hükümleri geçerlidir. Sevk hazırlığı ve taşıma sadece ilgili eğitimi görmüş personel tarafından gerçekleştirilebilir. Bütün süreç uzmanca bir refakatçilik altında gerçekleştirilmek zorundadır.

Pillerin taşınması sırasında aşağıdaki hususlara dikkat edilmesi gerekmektedir:

Kısa devre oluşmasını önlemek için kontakların korunmuş ve izole edilmiş olması sağlanmalıdır.

Pil paketinin ambalajı içinde kaymamasına dikkat ediniz. Hasarlı veya akmış pillerin taşınması yasaktır. Ayrıca bilgiler için nakliye şirketinize başvurunuz.

ÇALIŞMA AÇIKLAMALARI

Düzgün bir kontrol sağlamak için daima tutma yerlerini kullanın. Cilalayıcıyı, uzun ve süpürme hareketleriyle ileri geri hareket ettirin. Çok fazla baskı uygulanması, yanlış açıda kullanılması veya yanlış hareket ettirilmesi dairesel izlere veya yanmaya neden olabilir.

Ayrıntılı polisaj talimatları için cilalar, mum cilaları ve parlaticılarla birlikte verilen talimatları okuyun.

UYARI! Yaralanma riskini azaltmak için takılmayı önleyici talimatları uygulayın. Takılma, cihazın geri tepmesine ve operatörün cihazın kontrolünü aniden kaybetmesine neden olabilir. Kontrolü sağlamak için daima kulplu sapı kullanın.

Takılmayı Önleme

Cilalama pedleri çalışma yüzeyinin pürüzlü olan kenarlarına takıldığında takılmaya neden olur. Takılma, cihazın aniden "geri tepmesine" ve bu da pedin boyanın içinde yanmasına neden olabilir. Takılma riskini azaltmak için, pürüzlü yüzeyleri cilaların cilalayıcıyı düşük hızlarda kullanın. Arabalardaki cam çerçeve kenarları veya cam ile pencere arasında kalan zor bölgelerde, bir cilalayıcı kullanarak risk almayın. Bu yüzeyleri elle cilalayın.

TEMİZLENMESİ

Aletin havalandırma aralıklarını daima temiz tutun.

BAKIM

Sadece Milwaukee aksesuarı ve yedek parçası kullanın. Nasıl değiştirileceği açıklanmamış olan yapı parçalarını bir Milwaukee müşteri servisinde değiştirin (Garanti ve servis adresi broşürüne dikkat edin).

Gerektiği takdirde aletin dağınık görünüş şeması, alet tipinin ve tip etiketi üzerindeki sayının bildirilmesi koşuluyla müşteri servisinden veya doğrudan Technronic Industries GmbH, Max-Eyth-Straße 10, 71364 Wünnenden, Germany adresinden istenebilir.

SEMBOLLER



Lütfen aleti çalıştırmadan önce kullanma kılavuzunu dikkatli biçimde okuyun.



DİKKAT! UYARI! TEHLİKE!



Aletin kendinde bir çalışma yapmadan önce kartuş aküyü çıkarın.



Güç kullanmayın.



Aletle çalışırken daima koruyucu gözlük kullanın.



Toz Filtresi



Aksesuar - Teslimat kapsamında değildir, önerilen tamamlamalar aksesuar programında.



Elektrikli cihazların, pillerin/akülerin evsel atıklarla birlikte bertaraf edilmesi yasaktır. Elektrikli cihazlar ve aküler ayrılarak biriktirilmeli ve çevreye zarar vermeden bertaraf edilmeleri için bir atık değerlendirme tesisine götürülmelidirler. Yerel makamlara veya satıcınıza geri dönüşüm tesisleri ve atık toplama merkezlerinin yerlerini danışın.

n₀

Boşta ki devir sayısı

V

Voltaj

≡

Doğru akım

CE

Avrupa uyumluluk işareti

UK

Britanya uyumluluk işareti

001

Ukrayna uyumluluk işareti

EAC

Avrasya uyumluluk işareti

TECHNICKÁ DATA	M18 FROP15	M18 FROP21
Typ	Leštička	Leštička
Výrobní číslo	4838 77 01 XXXXXX MJJJJ	4911 31 01 XXXXXX MJJJJ
Napětí výměnného akumulátoru	18 V \approx	18 V \approx
Jmenovité otáčky	0 - 5100 min ⁻¹	0 - 4500 min ⁻¹
Volnoběžné otáčky	2650 - 5100 min ⁻¹	2400 - 4500 min ⁻¹
Lešticí talíř Průměr	125 mm	150 mm
Lešticí pad Průměr max.	125 mm	150 mm
Průměr excentricity	15 mm	21 mm
Hmotnost podle prováděcího předpisu EPTA 01/2014 (Li-Ion 2,0 Ah ... 12,0 Ah)	2,9 ... 4,0 kg	3,0 ... 4,2 kg
Doporučená teplota okolí pro provoz	-18 ... +50 °C	
Doporučené akupaky	M18B...; M18HB...	
Doporučené nabíječky	M12-18...; M1418C6	
Informace o hluku: Naměřené hodnoty odpovídají EN 62841. V třídě A posuzovaná hladina hluku přístroje činí typicky:		
Hladina akustického tlaku / Kolísavost K	78,0 dB (A) / 3 dB (A)	77,0 dB (A) / 3 dB (A)
Hladina akustického výkonu / Kolísavost K	89,0 dB (A) / 3 dB (A)	88,0 dB (A) / 3 dB (A)
Používejte chrániče sluchu !		
Informace o vibracích: Celkové hodnoty vibrací (vektorový součet tří směrů) zjištěné ve smyslu EN 62841.		
Hodnota vibračních emisí a _v / Kolísavost K	9,7 m/s ² / 1,5 m/s ²	14,7 m/s ² / 1,5 m/s ²

VAROVÁNÍ!

Hladina vibrací a emisí hluku uvedená v tomto informačním listu byla měřena v souladu se standardizovanou zkouškou uvedenou v normě EN 62841 a může být použita ke srovnání jednoho nástroje s jiným. Může být použita k předběžnému posouzení expozice.

Deklarovaná úroveň vibrací a emisí hluku představuje hlavní použití nástroje. Pokud se však nástroj používá pro různé aplikace, s různými příslušenstvími nebo s nedostatečnou údržbou, mohou se vibrace a emise hluku lišit. To může výrazně zvýšit úroveň expozice v průběhu celé pracovní doby.

Odhad úrovně expozice vibracím a hluku by měl také vzít v úvahu dobu, kdy je nástroj vypnutý nebo když běží, ale ve skutečnosti neprovádí úlohu. To může výrazně snížit úroveň expozice v průběhu celé pracovní doby.

Identifikujte dodatečná bezpečnostní opatření k ochraně pracovníka obsluhy před účinky vibrací a/nebo hluku, například: údržba nástroje a příslušenství, udržování rukou v teple, organizace pracovních schémat.

VAROVÁNÍ! Přečtěte si všechny bezpečnostní pokyny, instrukce, popisy a údaje, které obdržíte s přístrojem. Pokud následující pokyny nedodržíte, může to vést k úderu elektrickým proudem, požáru nebo těžkým poraněním.

Všechna varovná upozornění a pokyny do budoucna uschovejte.

DALŠÍ BEZPEČNOSTNÍ A PRACOVNÍ POKYNY

Nesahejte do nebezpečného prostoru běžícího stroje.

Pokud stroj běží, nesmí být odstraňovány třísky nebo odštěpky.

Stroj okamžitě vypněte, zjistíte-li neobvyklé vibrace nebo jiné problémy. Stroj přezkoušejte, abyste zjistili příčinu problému.

Obráběný kus musí být řádně upnut, není-li dostatečně těžký.

Vzhledem k nebezpečí zkratu se nesmí dostat do odvětrávací mezery kovu.

VAROVÁNÍ! Abyste zabránili nebezpečí požáru způsobeného zkratem, poraněním nebo poškozením výrobku, neponažujte nářadí, výměnnou baterii nebo nabíječku do kapalin a zajistěte, aby do zařízení a akumulátorů nevnikly žádné tekutiny. Korodující nebo vodivé kapaliny, jako je slaná voda, určité chemikálie a bělicí prostředky nebo výrobky, které obsahují bělidlo, mohou způsobit zkrat.

Náhradní akumulátory ani nabíječku neotvírejte, skladujte je v suchu, chráňte před vlhkem.

Akumulátor systému M18 nabíjejte pouze nabíječkou systému M18. Nenabíjejte akumulátory jiných systémů.

OBlast VYUŽITÍ

Leštička je vhodná k leštění laků, umělých hmot a jiných hladkých ploch.

Nepoužívejte výrobek jiným způsobem, než jaký je uveden pro zamýšlené použití.

ZBYVAJÍCÍ RIZIKA

Ani při řádném používání není možné vyloučit všechna zbývající rizika. Při používání mohou vzniknout níže uvedené rizika, na která by měla obsluha dávat zvlášť pozor:

- Poranění způsobená vibrací. Příklad držte pouze za určená držadla a omezte čas práce a expozice.
- Zatížení hlukem může vést k poškození sluchu. Noste ochranu sluchu a omezte dobu expozice.
- Poranění očí způsobená částicemi nečistot. Noste vždy ochranné brýle, pevně dlouhé kalhoty, rukavice a pevnou obuv.
- Vdechnutí jedovatých druhů prachu.

UPOZORNĚNÍ NA LITHIUM-IONTOVÉ BATERIE

Použití lithiium-iontových baterií

Děle nepoužívané akumulátory je nutné před použitím znovu nabít.

Teplota přes 50°C snižuje výkon akumulátoru. Chraňte před dlouhým přehříváním na slunci či u topení.

Kontakty nabíječky a akumulátoru udržujte v čistotě.

Pro optimální životnost je nutné akumulátory po použití plně dobít. K zabezpečení dlouhé životnosti by se akumulátory měly po nabíjení vyjmout z nabíječky.

Při skladování akumulátoru po dobu delší než 30 dní:

Skladujte akumulátor v suchu při cca 27°C.

Skladujte akumulátor při cca 30%-50% nabíjecí kapacity.

Opakujte nabíjení akumulátoru každých 6 měsíců.

Ochrana proti přetížení u lithiium-iontových baterií

Při přetížení akumulátoru příliš vysokou spotřebou proudu, například při extrémně vysokém kroutícím momentu, začne elektrické nářadí po dobu 5 sekund vibrovat, indikátor dobíjení začne blikat a motor se následně samočinně vypne.

K opětovnému zapnutí uvolněte a následně opět stiskněte tlačítkový vypínač. Při extrémním zatížení dochází k příliš vysokému ohřevu akumulátoru. V tomto případě začnou blikat všechny kontrolky indikátoru dobíjení a blikají tak dlouho, dokud se akumulátor opět neochladí. V okamžiku, kdy indikátor dobíjení přestane blikat, je možné v práci opět pokračovat.

Přeprava lithiium-iontových baterií

Lithiium-iontové baterie spadají podle zákonných ustanovení pod přepravu nebezpečného nákladu.

Přeprava těchto baterií se musí realizovat s dodržováním lokálních, vnitrostátních a mezinárodních předpisů a ustanovení.

Spotřebitelé mohou tyto baterie bez problémů přepravovat po komunikacích.

Komerční přeprava lithiium-iontových baterií prostřednictvím přepravních firem podléhá ustanovením o přepravě nebezpečného nákladu. Přepravu k vyexpedování a samotnou přepravu směřující vykonávat jen příslušně vyškolené osoby. Na celý proces se musí odborně dohlížet.

Při přepravě baterií je třeba dodržovat následující:

Zajistěte, aby kontakty byly chráněné a izolované, aby se zamezilo zkratům.

Dávejte pozor na to, aby se svazek baterií v rámci balení nemohl sesmeknout. Poškozené a vyteklé baterie se nesmějí přepravovat. Ohledně dalších informací se obraťte na vaši přepravní firmu.

PRACOVNÍ POKYNY

Vždy používejte držadla, abyste získali maximální kontrolu.

Leštičkou pochoybte dlouhými pohyby sem a tam. Nadměrný tlak, špatný úhel nebo nesprávný pohyb mohou zapříčinit vznik rýh nebo spálení.

Podrobné pokyny k leštění najdete v návodu dodaném spolu s náterovými hmotami, vosky a laky.

VAROVÁNÍ! Aby se snížilo riziko úrazu, dodržujte pokyny pro zabránění zaseknutí. V důsledku zaseknutí může dojít ke zpětnému vrhu a tím ke ztrátě kontroly nad obsluhou nářadí. K udržení kontroly vždy používejte pomocnou rukojeť.

Jak zabránit zaseknutí

K zaseknutí dochází, když se lešticí kotouče pevně zachytí na hrubých hranách leštěného povrchu. Zaseknutí může způsobit zpětný náhly vrh nástroje, v důsledku čehož může dojít k propálení laku. Abyste snížili riziko zaseknutí, v případě leštění hrubých povrchů používejte leštičku při nízké rychlosti. Při leštění těžko dostupných ploch, jako například v blízkosti obruby rámu oken nebo mezi zrcátkem a oknem auta, raději leštičku nepoužívejte. Tyto povrchy vyleštíte ručně.

ČISTĚNÍ

Větrací štěrbiny nářadí udržujeme stále čisté.

ÚDRŽBA

Používat výhradně příslušenství Milwaukee a náhradní díly Milwaukee. Díly jejichž výměny nebyla popsána, nechte vyměnit v autorizovaném servisu (viz."Záruky / Seznam servisních míst)

Při potřebě podrobného rozkresu konstrukce, oslovte informaci o typu a čísle přímo servis a nebo výrobce, Techtronic Industries GmbH, Max-Eyth-Straße 10, 71364 Winnenden, Germany.

SYMBOLY



Před spuštěním stroje si pečlivě přečtěte návod k používání.



POZOR! VAROVÁNÍ! NEBEZPEČÍ!



Před zahájením veškerých prací na vrtacím šroubovák vyjmout výměnný akumulátor.



Nepoužívejte sílu.



Při práci se strojem neustále nosit ochranné brýle.



Prachový filtr



Příslušenství není součástí dodávky, viz program příslušenství.



Elektrická zařízení, baterie/akumulátory se nesmí likvidovat společně s odpadem z domácnosti. Elektrická zařízení, baterie/akumulátory je třeba sbírat odděleně a odevzdat je v recyklačním podniku na ekologickou likvidaci. Na místních úřadech nebo u vašeho specializovaného prodejce se informujte na recyklační podniky a sběrné dvory.

n₀

Volnoběžné otáčky

V

napětí



Stejnoseměrný proud



Značka shody v Evropě



Značka shody v Británii



Značka shody na Ukrajině

001



Značka shody pro oblast Eurasie

TECHNICKÉ ÚDAJE	M18 FROP15	M18 FROP21
Typ	Leštička	Leštička
Výrobné číslo	4838 77 01 XXXXXX MJJJJ	4911 31 01 XXXXXX MJJJJ
Napätie výmenného akumulátora	18 V =	18 V =
Menovitý počet obrátok	0 - 5100 min ⁻¹	0 - 4500 min ⁻¹
Otáčky naprázdno	2650 - 5100 min ⁻¹	2400 - 4500 min ⁻¹
Leštiaci tanier Priemer	125 mm	150 mm
Leštiaci pad Priemer max.	125 mm	150 mm
Priemer okruhu kmitania.	15 mm	21 mm
Hmotnosť podľa vykonávacieho predpisu EPTA 01/2014 (Li-Ion 2,0 Ah ... 12,0 Ah)	2,9 ... 4,0 kg	3,0 ... 4,2 kg
Odporúčaná teplota okolia pre prevádzku	-18 ... +50 °C	
Odporúčaná akupaky	M18B...; M18HB...	
Odporúčaná nabíjačky	M12-18...; M1418C6	

Informácia o hluku: Namerané hodnoty určené v súlade s EN 62841.

V triede A posudzovaná hladina hluku prístroja činí typicky:

Hladina akustického tlaku / Kolisavosť K	78,0 dB (A) / 3 dB (A)	77,0 dB (A) / 3 dB (A)
Hladina akustického výkonu / Kolisavosť K	89,0 dB (A) / 3 dB (A)	88,0 dB (A) / 3 dB (A)

Používajte ochranu sluchu!

Informácie o vibráciách: Celkové hodnoty vibrácií (vektorový súčet troch smerov) zistených zmysle EN 62841.

Hodnota vibračných emisií a _n / Kolisavosť K	9,7 m/s ² / 1,5 m/s ²	14,7 m/s ² / 1,5 m/s ²
---	---	--

POZOR!

Úroveň vibrácií a emisií hluku uvedená v tomto informačnom liste bola meraná v súlade so štandardizovanou skúškou uvedenou v EN 62841 a môže sa použiť na porovnanie jedného nástroja s druhým. Môže sa použiť v predbežnom posúdení expozície.

Deklarovaná úroveň vibrácií a emisií hluku predstavuje hlavné aplikácie nástroja. Ak sa však nástroj používa pre rôzne aplikácie, s rôznym príslušenstvom alebo s nedostatočnou údržbou, môžu sa vibrácie a emisie hluku líšiť. To môže výrazne zvýšiť úroveň expozície počas celej pracovnej doby.

Odhad úrovne expozície vibráciám a hluku by mal tiež brať do úvahy čas, keď je nástroj vypnutý alebo keď beží, ale v skutočnosti nevykonáva prácu. To môže výrazne znížiť úroveň expozície počas celej pracovnej doby.

Identifikujte dodatočné bezpečnostné opatrenia na ochranu pracovníka obsluhy pred účinkami vibrácií a/alebo hluku, ako je: údržba nástroja a príslušenstva, udržanie teplých rúk, organizácia pracovných schém.

POZOR!

Prečítajte si všetky bezpečnostné upozornenia, pokyny, vyobrazenia a údaje, ktoré dostanete spolu s prístrojom. Ak by ste nedodržali nasledujúce pokyny, mohlo by to mať za následok zásah elektrickým prúdom, vznik požiaru a/alebo vážne poranenie.

Tieto Výstražné upozornenia a bezpečnostné pokyny starostlivo uschovajte na budúce použitie.

ĎALŠIE BEZPEČNOSTNÉ A PRACOVNÉ POKYNY

Nesiahať do nebezpečnej oblasti bežiacieho stroja.

Triesky alebo úlomky sa nesmú odstraňovať za chodu stroja.

Ak za chodu prístroja dôjde k výraznému kmitaniu alebo sa vyskytnú iné nedostatky, okamžite ho vypnite. Stroj skontrolujte, aby ste zistili príčinu.

Opracovávaný obrobok musí byť pevne upnutý, pokiaľ nedrží vlastnou váhou.

Z dôvodu nebezpečia skratu sa do vetracích otvorov nesmú dostať kovové predmety.

POZOR! Aby ste zabránili nebezpečenstvu požiaru spôsobeného skratom, poraneniam alebo poškodeniam výrobku, neponárajte náradie, výmennú batériu alebo nabíjačku do kvapalín a postarajte sa o to, aby do zariadení a akumulátorov nevnikli žiadne tekutiny. Korodujúce alebo vodivé kvapaliny, ako je slaná voda, určité chemikálie a bieliace prostriedky alebo výrobky, ktoré obsahujú bielicidlo, môžu spôsobiť skrat.

Výmenné akumulátory a nabíjacie zariadenia neotvárať a skladovať len v suchých priestoroch. Chrániť pred vlhkosťou.

Výmenné akumulátory systému M18 nabíjať len nabíjacími zariadeniami systému M18. Akumulátory iných systémov týmto zariadením nenabíjať.

POUŽITIE PODĽA PREDPISOV

Leštička je vhodná na leštenie lakov, ochranných vrstiev, plastov a iných hladkých povrchov.

Nepoužívajte výrobok iným spôsobom, než aký je uvedený pre zamýšľané použitie.

ZVÝŠKOVÉ RIZIKÁ

Aj pri riadnom používaní nie je možné vylúčiť všetky zvyškové riziká. Pri používaní môžu vzniknúť nasledovné nebezpečenstvá, na ktoré by mala obsluha dávať zvlášť pozor:

- Poranenia spôsobené vibráciou. Prístroj držte iba za určené držadlá a obmedzte čas práce a expozície.
- Zaťaženie hlukom môže viesť k poškodeniam sluchu. Noste ochranu sluchu a obmedzte dobu expozície.
- Poranenia očí spôsobené časticami nečistôt. Noste vždy ochranné okuliare, pevné dlhé nohavice, rukavice a pevnú obuv.
- Vdýchnutie jedovatých druhov prachu.

UPOZORNENIE NA LÍTIUVO-IÓNOVÉ BATÉRIE

Použitie lítium-iónových batérií

Dlhší čas nepoužívané výmenné akumulátory pred použitím dobiť.

Teplota vyššia ako 50°C znižuje výkon výmenného akumulátora. Zabráňte dlhšiemu ohriatiu slnkom alebo kúrením. Pripájacie kontakty na nabíjacom zariadení a výmennom akumulátore udržiavať čisté.

Pre optimálnu životnosť je nutné akumulátory po použití plne dobiť. K zabezpečeniu dlhej životnosti by sa akumulátory mali po nabití vybrať z nabíjačky.

Pri skladovaní akumulátora po dobu dlhšiu než 30 dní: Skladujte akumulátor v suchu pri cca 27°C. Skladujte akumulátor pri cca 30%-50% nabíjacej kapacity. Opakujte nabíjanie akumulátora každých 6 mesiacov.

Ochrana proti preťaženiu pri lítium-iónových batériách

Pri preťažení akumulátora príliš vysokou spotrebou prúdu, napríklad pri extrémne vysokom krútiacom momente, začne elektrické náradie po dobu 5 sekúnd vibrovať, indikátor dobíjania začne blikať a motor sa následne samočinne vypne.

K opätovnému zapnutiu uvoľníte a následne opäť stlačíte tlačidlový vypínač. Pri extrémnom zaťažení dochádza k príliš vysokému ohrevu akumulátora. V tomto prípade začnú blikať všetky kontrolky indikátora dobíjania a blikajú tak dlho, dokiaľ sa akumulátor opäť neochladí. V okamihu, keď indikátor dobíjania prestane blikať, je možné v práci opäť pokračovať.

Preprava lítiovo-iónových batérií

Lítiovo-iónové batérie podľa zákonných ustanovení spadajú pod prepravu nebezpečného nákladu.

Preprava týchto batérií sa musí realizovať s dodržiavaním lokálnych, vnútroštátnych a medzinárodných predpisov a ustanovení.

Spotrebiteľia môžu tieto batérie bez problémov prepravovať po cestách.

Komerčná preprava lítiovo-iónových batérií prostredníctvom špeciálnych firiem podlieha ustanoveniam o preprave nebezpečného nákladu. Prípravu k vyexpedovaniu a samotnú prepravu smú vykonávať iba adekvátne vyškolené osoby. Na celý proces sa musí odborné dohliadať.

Pri preprave batérií treba dodržiavať nasledovné:

Zabezpečte, aby boli kontakty chránené a izolované, aby sa zamedzilo skratom.

Dávajte pozor na to, aby sa zväzok batérií v rámci balenia nemohol zošmyknúť. Poškodené a vytečené batérie sa nesmú prepravovať. Kvôli ďalším informáciám sa obráťte na vašu špeciálnu firmu.

NAPOTKI ZA DELO

Pre správne ovládanie vždy používajte rukoväte. Pohybujte leštičkou dozadu a dopredu dlhými, stieracími ťahmi. Príliš veľký tlak, nesprávny uhol alebo nesprávny pohyb môžu spôsobiť stopy vírenia alebo spáleniny.

Podrobné pokyny na leštenie nájdete v pokynoch dodaných s prípravkami na povrchovú úpravu, voskami a leštiadlami.

POZOR! Aby ste znížili riziko poranenia, postupujte podľa pokynov na zabránenie narazeniu na prekážku. Narazenie môže spôsobiť spätný náraz zariadenia a pracovník obsluhy môže nad ním náhle stratiť kontrolu. Na udržanie kontroly vždy používajte rukoväť.

Zabránenie narazeniu na prekážku

K narazeniu na prekážku dochádza, keď sa leštiace podložky zachytia o drsné hrany pracovnej plochy. Narazenie môže spôsobiť, že sa nástroj náhle „odrazí“ a môže to spôsobiť prepálenie náteru podložkou. Aby ste znížili riziko narazení, pri leštení drsných povrchov používajte leštičku pri nízkych otáčkach. V zložitých oblastiach, ako napríklad pri obložení alebo medzi zrkadlom a oknom v aute, neriskujte používaním leštičky. Tieto povrchy vyleštite ručne.

ČISTENIE

Vetracie otvory udržiavať stále v čistote.

ÚDRŽBA

Používať len Milwaukee príslušenstvo a Milwaukee náhradné diely. Súčiastky bez návodu na výmenu treba dat vymeniť v jednom z Milwaukee zákaznických centier (viď brožúru Záruka/Adresy zákaznických centier).

Pri udaní typu stroja a čísla nachádzajúceho sa na štítku dá sa v prípade potreby vyžiadať explozivná schéma prístroja od vášho zákaznického centra alebo priamo v Techtronic Industries GmbH, Max-Eyth-Straße 10, 71364 Winnenden, Germany.

SYMBOLY

	Pred prvým použitím prístroja si pozorne prečítajte návod na obsluhu.
	POZOR! NEBEZPEČENSTVO!
	Pred každou prácou na stroji výmenný akumulátor vytiahnuť.
	Nepoužívajte silu.
	Pri práci so strojom vždy noste ochranné okuliare.
	Prachový filter
	Príslušenstvo - nie je súčasťou štandardnej výbavy, odporúčané doplnenie z programu príslušenstva.
	Elektrické zariadenia, batérie/akumulátory sa nesmú likvidovať spolu s odpadom z domácností. Elektrické zariadenia, batérie/akumulátory treba zbierať oddelene a odovzdať ich v recyklačnom podniku na ekologickú likvidáciu. Na miestnych úradoch alebo u vášho špecializovaného predajcu sa pýtajte na recyklačné podnky a zberné dvory.
n_0	Otáčky naprázdno
V	Napätie
	Jednosmerný prúd
	Značka zhody v Európe
	Značka zhody v Británii
	Značka zhody na Ukrajinu
	Značka zhody pre oblasť Eurázie

DANE TECHNICZNE	M18 FROP15	M18 FROP21
Typ	Polerka	Polerka
Numer produkcyjny	4838 77 01 XXXXXX MJJJJ	4911 31 01 XXXXXX MJJJJ
Napięcie baterii akumulatorowej	18 V =	18 V =
Znamionowa prędkość obrotowa	0 - 5100 min ⁻¹	0 - 4500 min ⁻¹
Prędkość bez obciążenia	2650 - 5100 min ⁻¹	2400 - 4500 min ⁻¹
Tarcza polerska Średnica	125 mm	150 mm
Nakładka polerska Średnica maks.	125 mm	150 mm
Średnica ruchu orbitalnego	15 mm	21 mm
Ciężar wg procedury EPTA 01/2014 (Li-Ion 2,0 Ah ... 12,0 Ah)	2,9 ... 4,0 kg	3,0 ... 4,2 kg
Zalecana temperatura otoczenia w trakcie eksploatacji	-18 ... +50 °C	
Zalecane zestawy akumulatorowe	M18B...; M18HB...	
Zalecane ładowarki	M12-18...; M1418C6	
Informacja dotycząca szumów: Zmierzone wartości wyznaczono zgodnie z normą EN 62841. Poziom szumów urządzenia oszacowany jako A wynosi typowo:		
Poziom ciśnienia akustycznego / Niepewność K	78,0 dB (A) / 3 dB (A)	77,0 dB (A) / 3 dB (A)
Poziom mocy akustycznej / Niepewność K	89,0 dB (A) / 3 dB (A)	88,0 dB (A) / 3 dB (A)
Należy używać ochraniaczy uszu!		
Informacje dotyczące wibracji: Wartości łączne drgań (suma wektorowa trzech kierunków) wyznaczone zgodnie z normą EN 62841		
Wartość emisji drgań a _n / Niepewność K	9,7 m/s ² / 1,5 m/s ²	14,7 m/s ² / 1,5 m/s ²

⚠️ OSTRZEŻENIE!

Poziom drgań i emisji hałasu podany w niniejszej instrukcji zmierzono zgodnie ze standardową metodą badania wg EN 62841 i można ją wykorzystać do porównania narzędzia z innym narzędziem. Można go wykorzystać przy wstępnej ocenie narażenia.

Deklarowany poziom emisji drgań i hałasu reprezentuje główne zastosowania narzędzia. Jeśli jednak narzędzie jest używane do różnych zastosowań, z różnymi akcesoriami lub w przypadku nieprawidłowej konserwacji, emisja drgań i hałasu może się różnić. Może to znacznie zwiększyć poziom narażenia w całym okresie eksploatacji narzędzia.

Oszacowanie poziomu narażenia na wibracje i hałas powinno również uwzględniać czasy, kiedy narzędzie jest wyłączone lub kiedy jest włączone, ale nie pracuje. Może to znacznie obniżyć poziom ekspozycji w całym okresie eksploatacji narzędzia.

Należy zidentyfikować dodatkowe środki bezpieczeństwa w celu ochrony operatora przed skutkami wibracji i/lub hałasu, takie jak: utrzymywanie narzędzia i akcesoriów w nienagannym stanie, utrzymywanie ciepła rąk, organizacja pracy.

⚠️ OSTRZEŻENIE! Przeczytać wszystkie wskazówki bezpieczeństwa, instrukcje, ilustracje i dane dołączone do urządzenia. Jeśli nie będą przestrzegane następujące przepisy, może dojść do porażenia prądem, pożaru i/lub ciężkich obrażeń ciała.

Należy starannie przechowywać wszystkie przepisy i wskazówki bezpieczeństwa dla dalszego zastosowania.

DODATKOWE WSKAZÓWKI BEZPIECZENSTWA I INSTRUKCJE ROBOCZE

Podczas pracy strugarki nie zbliżać się do strefy niebezpiecznej.

Podczas pracy elektronarzędzia nie wolno usuwać trocin ani drzazg.

Natychmiast wyłączyć elektronarzędzie w przypadku wystąpienia znacznych drgań lub w przypadku stwierdzenia innych usterek. Sprawdzić urządzenie w celu ustalenia przyczyny.

Jeśli ciężar własny obrabianego przedmiotu nie pozwala jego unieruchomienie, to należy go zamocować.

Nie dopuszczać do przedostawania się części metalowych do szczelin powietrznych - niebezpieczeństwo zwarcia!

OSTRZEŻENIE! Aby uniknąć niebezpieczeństwa pożaru, obrażeń lub uszkodzeń produktu na skutek zwarcia, nie wolno zanurzać narzędzia, akumulatora wymiennego ani ładowarki w cieczach i należy zatroszczyć się o to, aby do urządzeń i akumulatorów nie dostały się żadne ciecz. Zwarcie spowodować mogą korodujące lub przewodzące ciecz, takie jak woda morska, określone chemikalia i wybielacze lub produkty zawierające wybielacze.

Nie otwierać wkładek akumulatorowych i ładowarek. Przechowywać w suchych pomieszczeniach. Chronić przed wilgocią.

Akumulatory Systemu M18 należy ładować wyłącznie przy pomocy ładowarek Systemu M18. Nie ładować przy pomocy tych ładowarek akumulatorów innych systemów.

WSKAZÓWKI DLA AKUMULATORÓW LITOWO-JONOWYCH

Użytkowanie akumulatorów litowo-jonowych

Akumulatory, które nie były przez dłuższy czas użytkowane, należy przed użyciem naładować.

W temperaturze powyżej 50°C następuje spadek osiągniętych wkładki akumulatorowej. Unikać długotrwałego wystawienia na oddziaływanie ciepła lub promieni słonecznych (niebezpieczeństwo przegrzania). Styki ładowarek i wkładek akumulatorowych należy utrzymywać w czystości

Dla zapewnienia optymalnej żywotności akumulatory po użyciu należy naładować do pełnej pojemności. Dla zapewnienia możliwie długiej żywotności akumulatory należy wyjąć z ładowarki po ich naładowaniu.

W przypadku składowania akumulatorów dłużej aniżeli 30 dni: Przechowywać je w suchym miejscu w temperaturze ok. 27°C. Przechowywać je w stanie naładowanym do ok. 30% - 50%. Ładować je ponownie co 6 miesięcy.

Ochrona przeciwpięczeniowa w akumulatorach litowo-jonowych

W przypadku przecięcia akumulatora przez bardzo duży pobór prądu, na przykład wskutek ekstremalnie dużych momentów obrotowych, narzędzie ręczne z napędem elektrycznym wibruje przez 5 sekund, miga wskaźnik ładowania i narzędzie samoczynnie wyłącza się.

W celu ponownego włączenia narzędzia należy zwolnić przycisk przełączający, a następnie ponownie go włączyć. Przy ekstremalnych obciążeniach akumulator nagrzewa się za mocno. W takim przypadku wszystkie lampki wskaźnika ładowania migają tak długo, aż akumulator ochłodzi się. Po zgaśnięciu wskaźnika ładowania można kontynuować pracę.

Transport akumulatorów litowo-jonowych

Akumulatory litowo-jonowe podlegają ustawowym przepisom dotyczącym transportu towarów niebezpiecznych.

Transport tych akumulatorów winien odbywać się przy przestrzeganiu lokalnych, krajowych i międzynarodowych rozporządzeń i przepisów.

Odbiorcom nie wolno transportować tych akumulatorów po drogach ot tak po prostu.

Komercyjny transport akumulatorów litowo-jonowych przez przedsiębiorstwa spedycyjne podlega przepisom dotyczącym transportu towarów niebezpiecznych. Przygotowania do wysyłki oraz transport mogą być wykonywane wyłącznie przez odpowiednio przeszkolone osoby. Cały proces winien odbywać się pod fachowym nadzorem.

W czasie transportu akumulatorów należy przestrzegać następujących punktów:

Celem uniknięcia zwarcia należy upewnić się, że zestyki są zabezpieczone i zaizolowane.

Zwracać uwagę na to, aby zespół akumulatorów nie mógł się przemieszczać we wnętrzu opakowania. Nie wolno transportować akumulatorów uszkodzonych lub z wyciekającym z elektrolitem. Odnośnie dalszych wskazówek należy zwrócić się do swojego przedsiębiorstwa spedycyjnego.

WSKAZÓWKI DOTYCZĄCE UŻYTKOWANIA

Zawsze należy używać uchwytów dla zachowania właściwej kontroli. Poruszać polerką w przód i w tył długimi, zamasytymi pociągnięciami. Zbyt duży nacisk, zły kąt lub niewłaściwy ruch mogą spowodować koliste zarysowania lub przypalenie.

Aby uzyskać szczegółowe instrukcje dotyczące polerowania, przeczytaj instrukcje dołączone do środków wykończeniowych, wosków i płynów do polerowania.

OSTRZEŻENIE! Aby zmniejszyć ryzyko obrażeń, należy postępować zgodnie z instrukcjami dotyczącymi zapobiegania zaciepaniu się narzędzia. Zaciepanie może spowodować odbicie narzędzia do tyłu i nagłą utratę kontroli nad nim przez operatora. Aby zachować kontrolę nad narzędziem, należy zawsze używać uchwytu.

Zapobieganie zaciepaniu się narzędzia

Zaciepanie występuje wtedy, gdy pad polerski zaczepta się o nierówne krawędzie powierzchni roboczej. Zaciepanie może spowodować nagłe „odbicie” narzędzia i przypalenie lakieru przez pad. Aby zmniejszyć ryzyko zaciepania, należy używać polerki na niskich obrotach podczas polerowania nierównych powierzchni. W przypadku trudniejszych miejsc, takich jak okolice listew lub miejsca między lusterkiem a szybą samochodu, nie należy ryzykować i nie używać polerki. Takie powierzchnie należy polerować ręcznie.

CZYSZCZENIE

Otwory wentylacyjne elektronarzędzia muszą być zawsze drożne.

UTRZYMANIE I KONSERWACJA

Używać tylko i wyłącznie wyposażenia dodatkowego Milwaukee i części zamiennych Milwaukee. Gdyby trzeba było wymienić części, które nie zostały opisane, należy skontaktować się z przedstawicielem serwisu Milwaukee (patrz wykaz adresów punktów usługowych/gwarancyjnych).

Na życzenie można otrzymać rysunek widoku zespołu rozebranego. Przy zamawianiu należy podać numer oraz typ elektronarzędzia umieszczony na tabliczce znamionowej. Zamówienia można dokonać albo u lokalnych przedstawicieli serwisu, albo bezpośrednio w Techtronic Industries GmbH, Max-Eyth-Straße 10, 71364 Winnenden, Germany.

SYMBOLY

	Przed uruchomieniem elektronarzędzia zapoznać się uważnie z treścią instrukcji.
	UWAGA! OSTRZEŻENIE NIEBEZPIECZEŃSTWO!
	Przed przystąpieniem do jakichkolwiek prac na elektronarzędziu należy wyjąć wkładkę akumulatorową.
	Nie używać siły.
	Podczas pracy należy zawsze nosić okulary ochronne.
	Filtr przeciwpyłowy
	Wyposażenie dodatkowe dostępne osobno.
	Urządzenia elektryczne, baterie/akumulatory nie mogą być usuwane razem z odpadami pochodzącymi z gospodarstw domowych. Urządzenia elektryczne i akumulatory należy gromadzić oddzielnie i w celu usuwania ich do odpadów zgodnie z wymaganiami środowiska naturalnego oddawać do przedsiębiorstwa utylizacyjnego. Proszę zasięgnąć informacji o centrach recyklingowych i punktach zbiorczych u władz lokalnych lub u wyspecjalizowanego dostawcy.
n_0	Prędkość bez obciążenia
V	Napięcie
	Prąd stały
	Europejski Certyfikat Zgodności
	Brytyjski Certyfikat Zgodności
	Ukraiński Certyfikat Zgodności
	Euroazjatycki Certyfikat Zgodności

MŪSZAKI ADATOK	M18 FROP15	M18 FROP21
Felépítés	Polírozó	Polírozó
Gyártási szám	4838 77 01 XXXXXX MJJJJ	4911 31 01 XXXXXX MJJJJ
Akkumulátor feszültség	18 V =	18 V =
Névleges fordulatszám	0 - 5100 min ⁻¹	0 - 4500 min ⁻¹
Üresjárat fordulatszám	2650 - 5100 min ⁻¹	2400 - 4500 min ⁻¹
Polírozó tányér Átmérő	125 mm	150 mm
Polírozó páma Átmérő max.	125 mm	150 mm
Vibrációs kilengés átmérő	15 mm	21 mm
Súly a 01/2014 EPTA-eljárás szerint (Li-Ion 2,0 Ah ... 12,0 Ah)	2,9 ... 4,0 kg	3,0 ... 4,2 kg
Üzemeléshez ajánlott környezeti hőmérséklet	-18 ... +50 °C	
Ajánlott akkusomagok	M18B...; M18HB...	
Ajánlott töltőkészülékek	M12-18...; M1418C6	
Zajinformáció: A közölt értékek megfelelnek az EN 62841 szabványnak. A készülék munkahelyi zajszintje tipikusan:		
Hangnyomás szint / K bizonytalanság	78,0 dB (A) / 3 dB (A)	77,0 dB (A) / 3 dB (A)
Hangteljesítmény szint / K bizonytalanság	89,0 dB (A) / 3 dB (A)	88,0 dB (A) / 3 dB (A)
Hallásvédő eszköz használata ajánlott!		
Vibráció-információk: Összesített rezgésértékek (három irányú vektoriális összeg az EN 62841-nek megfelelően meghatározva).		
rezgésemisszió érték a _h / K bizonytalanság	9,7 m/s ² / 1,5 m/s ²	14,7 m/s ² / 1,5 m/s ²

FIGYELMEZTETÉS!

Az adatlapon feltüntetett rezgés- és zajkibocsátási szint mérésére az EN 62841 szabványos vizsgálati módszere alapján került sor, és a kapott értékek az egyes szerszámok összehasonlítására használhatók. Az értékek az expozíció előzetes értékelésében használhatók.

A feltüntetett rezgés- és zajkibocsátási szint a szerszám főbb alkalmazásait tükrözi. Mindazonáltal, ha a szerszámot különböző alkalmazásokra, eltérő tartozékokkal használják, illetve a szerszám nincs megfelelően karbantartva, a rezgés- és zajkibocsátási szint eltérő lehet. Ez jelentősen növelheti az expozíciós szintet a teljes munkafolyamat során.

A rezgésnek és zajnak való expozíció becslést szintjét is figyelembe kell venni a szerszám kikapcsolásakor, illetve olyankor, ha a szerszám üzemel, de valójában nem történik vele munkavégzés. Ez jelentősen csökkentheti az expozíciós szintet a teljes munkafolyamat során.

Határozzon meg további biztonsági intézkedéseket, hogy védje a kezelőt a rezgés- és/vagy zajhatásoktól. Ilyen intézkedések pl.: a szerszámok és tartozékok karbantartása, a kéz melegen tartása, munkarend-szervezés.

FIGYELMEZTETÉS! Olvasson el minden, a géppel együtt megkapott biztonsági utasítást, utasítást, ábrázolást és adatot. Ha nem tartja be a következő előírásokat, akkor ez áramütéshez, tűzhez és/vagy súlyos személyi sérülésekhez vezethet.

Kérjük a későbbi használatra gondosan őrizze meg ezeket az előírásokat.

TOVÁBBI BIZTONSÁGI ÉS MUNKAVÉGZÉSI UTASÍTÁSOK

A működő készülék munkaterületére nyúlni balesetveszélyes és tilos.

A munka közben keletkezett forgácsokat, szilánkokat, törmelékét, stb. csak a készülék teljes leállása után szabad a munkaterületről eltávolítani.

A készüléket azonnal ki kell kapcsolni, ha szokatlanul erős rezgés vagy más, hibára utaló jelenség lépne fel. Vizsgálja meg a készüléket, hogy mi lehet a helytelen működés oka.

A munkadarabot rögzíteni kell, amennyiben saját súlya nem tartja meg biztonságosan.

Rövidzárlat veszélye miatt a szellőzőnyílásokba nem kerülhetnek fémdarabkák.

FIGYELMEZTETÉS! A rövidzárlat általi tűz, sérülések vagy termékárosodások veszélye elkerülésére ne merítse a szerszámot, a cserélhető akkut vagy a töltőkészüléket folyadékba, és gondoskodjon arról, hogy ne hatoljanak folyadékok a készülékekbe és az akkuba. A korrozív hatású vagy vezetőképes folyadékok, mint pl. a sós víz, bizonyos vegyi anyagok, fémhígítók vagy fehérítő tartalmú termékek, rövidzárlatot okozhatnak.

Az akkumulátort, töltőt nem szabad megbontani és kizárólag száraz helyen szabad tárolni. Nedvességtől óvni kell.

Az M18 elvezetésű rendszerhez tartozó akkumulátorokat kizárólag a rendszerhez tartozó töltővel töltsen fel. Ne használjon más rendszerbe tartozó töltőt.

RENDELTESSZERŰ HASZNÁLAT

A polírozót lakkok, fedőrétegek, műanyagok és más sima felületek polírozására használhatja.

A terméket csak rendeltetészerűen használja.

FENNMARADÓ VESZÉLYEK

Szabályos használat esetén sem lehet minden fennmaradó kockázatot kizárni. A használat során a következő veszélyek keletkezhetnek, amelyekre a kezelőnek különösen figyelnie kell:

- Vibráció okozta sérülések. A készüléket az e célra szolgáló markolatoknál fogja meg és korlátozza a munka- és expozíciós időt.
- A zajterhelés halláskárosodást okozhat. Viseljen hallásvédőt és korlátozza az expozíciós időt.
- Szennyrészecskék által okozott szemsérülések. Viseljen mindig védőszemüveget, erős hosszú nadrágot, kesztyűt és ellenálló lábbelit.
- Mérgező porok belélegzése

LI-ION AKKUKRA VONATKOZÓ ÚTMUTATÁSOK

Li-ion akkuk használata

A hosszabb ideig üzemben kívüli lévő akkumulátort használat előtt ismételtelen fel kell tölteni.

50°C feletti hőmérsékletnél csökkenhet az akkumulátor teljesítménye. Kerülni kell a túlzottan meleg helyen vagy napon történő hosszabb idejű tárolást.

A töltő és az akkumulátor csatlakozóit mindig tisztán kell tartani.

Az optimális élettartam érdekében használat után az akkukat teljesen fel kell tölteni.

A lehetőleg hosszú élettartamhoz az akkukat feltöltés után ki kell venni a töltőkészülékből.

Az akku 30 napot meghaladó tárolása esetén:
Az akkut kb. 27 °C-on, száraz helyen kell tárolni.
Az akkut kb. 30-50%-os töltöttségi állapotban kell tárolni.
Az akkut 6 havonta újra fel kell tölteni.

Akku-túlterhelés elleni védelem Li-ion akkuknál

Az akku nagyon nagy áramfelhasználása következtében fellépő túlterhelése esetén - pl. rendkívül magas forgatónyomatékok, a fűrő megszorulása, hirtelen leállás vagy rövidzárlat miatt – az elektromos szerszám 5 másodpercen keresztül vibrál, a töltéskijelző villog és az elektromos szerszám magától kikapcsol.

Az újbóli bekapcsoláshoz engedje el a nyomókapcsolót, majd kapcsolja be ismét. Rendkívüli terheléseknél az akku túlságosan felmelegszik. Ebben az esetben a töltéskijelző minden lámpája addig villog, amíg az akku le nem hűl. Ha a töltéskijelző kialszik, utána tovább lehet dolgozni.

Lítium-ion akkuk szállítása

A lítium-ion akkuk a veszélyes áruk szállítására vonatkozó törvényi rendelkezések hatálya alá tartoznak.

Az ilyen akkuk szállításának a helyi, országos és nemzetközi előírások és rendelkezések betartása mellett kell történnie.

A fogyasztók minden további nélkül szállíthatják az ilyen akkukat közúton.

A lítium-ion akkuk szállítmányozási vállalatok általi kereskedelmi célú szállítására a veszélyes áruk szállítására vonatkozó rendelkezések érvényesek. A kiszállítás előkészítését és a szállítást kizárólag megfelelő képzettségű személyek végezhetik. A teljes folyamatnak szakmai felügyelet alatt kell történnie.

A következő pontokat kell figyelembe venni akkuk szállításakor:

Biztosítsa, hogy a rövidzárlatok elkerülése érdekében az érintkezők védve és szigetelve legyenek.

Ügyeljen arra, hogy az akkucsomag ne tudjon elcsúszni a csomagoláson belül. Tilos sérült vagy kifolyt akkukat szállítani. További útmutatásokért forduljon szállítványozási vállalatához.

A HASZNÁLATRA VONATKOZÓ ÚTMUTATÁSOK

A megfelelő irányításhoz mindig használja a markolatokat. Mozgassa a polirozót előre-hátra, hosszú, seprő mozdulatokkal. A túl nagy nyomás, illetve a nem megfelelő szög vagy mozgás forgásmomokat vagy beégést okozhat.

Részletes polirozási útmutatásokért olvassa el a fedőrétegek, viaszok és polirozások mellékelt utasításait.

FIGYELMEZTETÉSI! A sérülésveszély csökkentése érdekében kövesse a becsípődés megelőzésére irányuló utasításokat. A becsípődés miatt a szerszám visszarúghat, és a kezelő hirtelen elveszítheti az irányítást a szerszám felett. Mindig használjon markolatot, hogy az irányítása alatt tartsa a szerszámot.

A becsípődés megelőzése

Becsípődés akkor következik be, amikor a polirozóbetétek a munkafelület durva széléibe akadnak. A becsípődés miatt a szerszám hirtelen „visszarúghat”, és a betét átégetheti a festéket. A becsípődés kockázatának csökkentése érdekében a polirozót érdes felületek polirozása során alacsony fordulatszámon használja. A kényes részeken, például a szegély közelében vagy az autótükör és -szélvédő között ne használja a polirozót. Ezeket a felületeket kézzel polirozza.

TISZTÍTÁS

A készülék szellőzőnyílásait mindig tisztán kell tartani.

KARBANTARTÁS

Csak Milwaukee tartozékokat és Milwaukee pótalkatrészeket szabad használni. Az olyan elemeket, melyek cseréje nincs ismertetve, cseréltesse ki Milwaukee szervizzel (lásd Garancia/Ügyfélszolgálat címei kiadványt).

Szükség esetén a készülékek robbantott ábráját - a készülék típusa és azonosító száma alapján a területileg illetékes TTI márkaszerviztől vagy közvetlenül a gyártótól (Techtronic Industries GmbH, Max-Eyth-Straße 10, 71364 Winnenden, Germany) lehet kérni.

SZIMBÓLUMOK



Kérjük alaposan olvassa el a tájékoztatót mielőtt a gépet használja.



FIGYELEM! FIGYELMEZTETÉS! VESZÉLY!



Karbantartás, javítás, tisztítás, stb. előtt az akkumulátort ki kell venni a készülékből.



Ne alkalmazzon erőt.



Munkavégzés közben ajánlatos védőszemüveget viselni.



Porszűrő



Azokat a tartozékokat, amelyek gyárilag nincsenek a készülékhez mellékelve, külön lehet megrendelni.



Az elektromos eszközöket, elemeket/akkukat nem szabad a háztartási hulladékkal együtt ártalmatlanítani. Az elektromos eszközöket és akkukat szelektíven kell gyűjteni, és azokat környezetbarát ártalmatlanítás céljából hulladékhasznosító üzemben kell leadni. A helyi hatóságoknál vagy szakkereskedőjénél tájékozódjon a hulladékudvarokról és gyűjtőhelyekről.



Üresjárati fordulatszám



Feszültség



Egyenáram



Európai megfelelőségi jelölés



Egyesült királyságbeli megfelelőségi jelölés



Ukrán megfelelőségi jelölés



Eurázsiai megfelelőségi jelölés

TEHNIČNI PODATKI

	M18 FROP15	M18 FROP21
Model	Polimriki	Polimriki
Proizvodna številka	4838 77 01 XXXXX MJJJ	4911 31 01 XXXXX MJJJ
Napetost izmenljivega akumulatorja	18 V =	18 V =
Nazivno število vrtljajev	0 - 5100 min ⁻¹	0 - 4500 min ⁻¹
Število vrtljajev v prostem teku	2650 - 5100 min ⁻¹	2400 - 4500 min ⁻¹
Polimi krožnik Premer	125 mm	150 mm
Polimi nastavek Premer maks.	125 mm	150 mm
Vibracijski krog ø	15 mm	21 mm
Teža po EPTA-proceduri 01/2014 (Li-Ion 2,0 Ah ... 12,0 Ah)	2,9 ... 4,0 kg	3,0 ... 4,2 kg
Priporočena temperatura okolice za obratovanje	-18 ... +50 °C	
Priporočeni kompleti akumulatorjev	M18B...; M18HB...	
Priporočeni polnilniki	M12-18...; M1418C6	
Informacije o hrupnosti: Vrednosti merjenja ugotovljene ustrezno z EN 62841.		
Raven hrupnosti naprave ovrednotena z A, znaša tipično:		
Nivo zvočnega tlaka / Nevarnost K	78,0 dB (A) / 3 dB (A)	77,0 dB (A) / 3 dB (A)
Višina zvočnega tlaka / Nevarnost K	89,0 dB (A) / 3 dB (A)	88,0 dB (A) / 3 dB (A)
Nosite zaščito za sluh!		
Informacije o vibracijah: Skupna vibracijska vrednost (Vektorska vsota treh smerdoločena ustrezno EN 62841.		
Vibracijska vrednost emisij a _h / Nevarnost K	9,7 m/s ² / 1,5 m/s ²	14,7 m/s ² / 1,5 m/s ²

⚠ OPOZORILO!

Raven vibracij in hrupa, navedena v tem informativnem listu, je bila izmerjena v skladu s standardiziranim preskusom iz EN 62841 in jo je mogoče uporabljati za primerjavo orodij med seboj. Mogoče jo je tudi uporabiti za predhodno oceno izpostavljenosti.

Navedena raven vibracij in hrupa predstavlja glavno uporabo orodja. Če pa se orodje uporablja za različne namene, z različnimi dodatki ali slabo vzdrževano, se lahko vibracije in hrup razlikujejo. To lahko znatno poveča raven izpostavljenosti v celotnem delovnem obdobju.

Pri oceni ravni izpostavljenosti vibracijam in hrupu je treba upoštevati tudi čas, ko je orodje izklopljeno ali ko teče, vendar dejansko ne opravlja dela. To lahko bistveno zmanjša raven izpostavljenosti v celotnem delovnem obdobju.

Ugotovite dodatne varnostne ukrepe za zaščito upravljavca pred učinki vibracij in/ali hrupa, kot so: vzdrževanje orodja in dodatkov, tople roke, organizacija delovnih vzorcev.

⚠ OPOZORILO! Preberite vse varnostne napotke, navodila, prikaže in podatke, ki ste jih prejeli skupaj z napravo. Zaradi nespoštovanja spodaj navedenih navodil lahko pride do električnega udara, požara in/ali težkih telesnih poškodb.

Vsa opozorila in napotila shranite, ker jih boste v prihodnje še potrebovali.

NADALJNA VARNOSTNA IN DELOVNA OPOZORILO

Ne segajte na področje nevarnosti tekočega stroja.

Trske ali iveri se pri tekočem stroju ne smejo odstranjevati.

Napravo takoj izklopite, če nastopijo znatne vibracije ali če ugotovite drugačne pomanjkljivosti. Preverite stroj, da ugotovite vzrok.

Kos, ki ga želite obdelovati, mora biti trdno vpet, če ne drži že zaradi lastne teže.

Zaradi nevarnosti kratkega stika kovinski deli ne smejo zaiti v špranje za prezračevanje.

OPOZORILO! V izogib, s kratkim stikom povzročene nevarnosti požara, poškodb ali okvar na proizvodu, orodja, izmenljivega akumulatorja ali polnilne naprave ne potaplajte v tekočine in poskrbite, da ne bo prihajalo do vdora tekočin v naprave in akumulatorje. Korozivne ali prevodne tekočine, kot so slana voda, določene kemikalije in beila ali proizvodi, ki le ta vsebujejo, lahko povzročijo kratek stik.

Izmenljivih akumulatorjev in polnilnih aparatov ne odpirajte in jih hranite samo v suhih prostorih. Zaščitite jih pred mokroto.

Izmenjive akumulatorje sistema M18 polnite samo s polnilnimi aparati sistema M18. Ne polnite nobenih akumulatorjev iz drugih sistemov.

UPORABA V SKLADU Z NAMEMBOSTJO

Polima priprava je uporabna za poliranje lakov, slojev, umetnih mas in drugih gladkih površin.

Izdelka ne uporabljajte na noben drugačen način od navedenega za predvideno uporabo.

PREOSTALE NEVARNOSTI

Tudi pri pravilni uporabi vseh pretalih tveganj ni mogoče izključiti. Pri uporabi lahko pride do sledečih nevarnosti, na katere naj bo uporabnik zmeraj pozoren:

- Vsled vibracij povzročene poškodbe. Napravo držite za temu namenu predvidene ročaje in omejite čas dela in izpostavljenosti.
- Obremenitev s hrupom lahko privede do poškodb sluha. Nosite zaščito sluha in omejite dovo izpostavljenosti.
- Vsled delcev nečistoč povzročene poškodbe oči. Nosite zmeraj zaščitna očala, močne dolge hlače, rokavice in močno obutev.
- Vdihavanje nevarnih prahov.

NAPOTKI ZA LITIJ-IONSKE AKUMULATORJE

Uporaba litij-ionskih akumulatorjev

Izmenjive akumulatorje, ki jih daljši čas niste uporabljali, pred uporabo naknadno napolnite.

Temperatura nad 50 °C zmanjšuje zmogljivost izmenljivega akumulatorja. Izogibajte se daljšemu segrevanju zaradi sončnih žarkov ali greja.

Pazite, da ostanete priključni kontakti na polnilnem aparatu in izmenljivem akumulatorju čisti.

za optimalno življenjsko dobo je potrebno akumulatorje po uporabi do konca napolniti.

Za čim daljšo življenjsko dobo naj se akumulatorji po napolnitvi vzamejo ven iz naprave za polnjenje.

Pri skladiščenju akumulatorjev dalj kot 30 dni:

Akumulator skladiščiti pri 27 °C in na suhem.

Akumulator skladiščiti pri 30%-50% stanja polnjenja.

Akumulator spet napolniti vsakih 6 mesecev.

Preobremenitvena zaščita litij-ionskih akumulatorjev

V primeru preobremenitve akumulatorja zaradi visoke porabe toka, npr. ekstremno visokih vrtilnih momentov, nenadne zaustavitve ali kratkega stika, električno orodje 5 sekund vibriira, prikazovalnik polnjenja utripa, električno orodje pa se samodejno izklopi.

Za ponoven vklop izpusite pritisno stikalo in nato znova vklopite. Pod ekstremnimi obremenitvami se akumulator premočno segreva. V tem primeru utripajo vse lučke prikazovalnika polnjenja dokler se akumulator ne ohladi. Za tem, ko prikazovalnik polnjenja ugasne lahko z delom nadaljujemo.

Transport litij-ionskih akumulatorjev

Litij-ionski akumulatorji so podvrženi zakonskim določbam transporta nevarnih snovi.

Transport teh akumulatorjev se mora izvajati upoštevajoč lokalne, nacionalne in mednarodne predpise in določbe.

Potrošniki lahko te akumulatorje še nadalje transportirajo po cesti.

Komercialni transport litij-ionskih akumulatorjev s strani špediterskih podjetij je podvržen določbam transporta nevarnih snovi. Priprava odpreme in transporta se lahko vrši izključno s strani ustrezno izšolanih oseb. Celoten proces je potrebno strokovno spremljati.

Pri transportu akumulatorjev je potrebno upoštevati sledeče točke:

V izogib kratkim stikom zagotovite, da bodo kontakti zaščiteni in izolirani.

Bodite pozorni na to, da paket akumulatorja v notranjosti embalaže ne bo mogel zdrsni. Poškodovanih ali iztekajočih akumulatorjev ni dovoljeno transportirati. Za nadaljnja navodila se obrnite na vaše špeditersko podjetje.

PRACOVNE POKYNY

Za pravilen nadzor vedno uporabljajte ročaje. Polirnik premakajte naprej in nazaj v dolgih, obsežnih potezah. Prevelik pritisk, napačen kot ali nepravilno gibanje lahko povzročijo vrtnčenje ali gorenje.

Za podrobna navodila za poliranje preberite navodila, ki so priložena končnim premazom, voskom in polirnim sredstvom.

OPOZORILO! Če želite zmanjšati tveganje za poškodbe, sledite navodilom za preprečevanje zatikanja. Zaradi zatikanja lahko pride do povratnega udara orodja in uporabnik nenadoma izgubi nadzor nad orodjem. Vedno uporabljajte ročaj, da ohranite nadzor.

Preprečevanje zatikanja

Do zatikanja pride, ko se polime blazinice zataknejo na grobih robovih delovne površine. Zatikanje lahko povzroči nenadni »povratni udarec« orodja in blazinica lahko izgori skozi barvo. Da bi zmanjšali nevarnost zatikanja, brusilnik pri brušenju hrapavih površin uporabljajte pri nizkih hitrostih. Brusilnika ne uporabljajte na zapletenih področjih, kot so obloge ali med ogledalom in oknom na avtomobilu. Te površine brusite ročno.

ČIŠČENJE

Pazite na to, da so prepračevalne reže stroja vedno čiste.

VZDRŽEVANJE

Uporabljajte samo Milwaukee pribor in Milwaukee nadomestne dele. Poskrbite, da sestavne dele, katerih zamenjava ni opisana, zamenjajo v Milwaukee servisni službi (upoštevajte brošuro Garancija aslovi servisnih služb).

Po potrebi se lahko pri vaši servisni službi ali direktno pri Techtronic Industries GmbH naroči eksplozijska risba naprave ob navedbi tipa stroja in številke s tipske ploščice Techtronic Industries GmbH, Max-Eyth-Straße 10, 71364 Winnenden, Germany.

SIMBOLI

	Prosimo, da pred uporabo pozorno preberete to navodilo za uporabo.
	POZOR! OPOZORILO! NEVARNO!
	Pred vsemi deli na stroji odstranite izmenljivi akumulator.
	Brez uporabe sile.
	Pri delu s strojem vedno nosite zaščitna očala.
	Filter za prah
	Oprema – ni vsebovana v obsegu dobave, priporočeno dopolnilo iz programa opreme.
	Električnih naprav, baterij/akumulatorjev ni dovoljeno odstranjevati skupaj z gospodinjskimi odpadki. Električne naprave in akumulatorje je potrebno zbirati ločeno in za okolju prijazno odstranitev, oddati podjetju za reciklažo. Pri krajevnem uradu ali vašem strokovnem prodajalcu se pozanimajte glede reciklažnih dvišč in zbirnih mest.
n_0	Število vrtiljajev v prostem teku
V	Napetost
	Enosmerni tok
	Evropska oznaka za združljivost
	Britanska oznaka za združljivost
	Ukrajinska oznaka za združljivost
	Evrazijska oznaka za združljivost

TEHNIŠKI PODACI

	M18 FROP15	M18 FROP21
Vrsta izvedbe	Polirač	Polirač
Broj proizvodnje	4838 77 01 XXXXXX MJJJJ	4911 31 01 XXXXXX MJJJJ
Napon baterije za zamjenu	18 V =	18 V =
Nazivni broj okretaja	0 - 5100 min ⁻¹	0 - 4500 min ⁻¹
Broj okretaja praznog hoda	2650 - 5100 min ⁻¹	2400 - 4500 min ⁻¹
Polimni tanjur Promjer	125 mm	150 mm
Pad za poliranje Promjer max.	125 mm	150 mm
Krug njihanja-ø	15 mm	21 mm
Težina po EPTA-proceduri 01/2014 (Li-Ion 2,0 Ah ... 12,0 Ah)	2,9 ... 4,0 kg	3,0 ... 4,2 kg
Preporučena temperatura okoline za pogon	-18 ... +50 °C	
Preporučeni akumulatorski paket	M18B...; M18HB...	
Preporučeni punjači	M12-18...; M1418C6	

Informacije o buci: Mjerne vrijednosti utvrđene odgovarajuće EN 62841.

A-ocijenjeni nivo buke aparata iznosi tipično:

Nivo pritiska zvuka / Nesigurnost K	78,0 dB (A) / 3 dB (A)	77,0 dB (A) / 3 dB (A)
Nivo učinka zvuka / Nesigurnost K	89,0 dB (A) / 3 dB (A)	88,0 dB (A) / 3 dB (A)

Nositi zaštitu sluha!

Informacije o vibracijama: Ukupne vrijednosti vibracije (Vektor suma tri smjersu odmjerene odgovarajuće EN 62841

Vrijednost emisije vibracije a_h / Nesigurnost K	9,7 m/s ² / 1,5 m/s ²	14,7 m/s ² / 1,5 m/s ²
--	---	--

UPOZORENIE!

Razine emisije vibracija i buke navedena u ovom informacionom listu izmjerene su u skladu sa standardiziranim ispitom koji propisuje EN 62841 i mogu se upotrebljavati za međusobnu usporedbu alata. Također se mogu upotrebljavati za prethodnu procjenu izloženosti. Navedene razine emisija vibracija i buke predstavljaju glavnu svrhu primjene alata. Međutim, ako se alat upotrebljava u druge svrhe, s drugim priborom ili se ne održava dovoljno, emisije vibracija i buke mogu biti drukčije. To može značajno povećati razinu izloženosti tijekom cjelokupna razdoblja rada.

Procjena razine izloženosti vibracijama i buci također bi u obzir trebala uzeti razdoblja tijekom kojih je alat isključen ili kada je uključen, no njime se ne obavlja nikakav rad. Time se značajno može smanjiti razina izloženosti tijekom cjelokupna razdoblja rada.

Utvrdite dodatne sigurnosne mjere kako biste zaštitili rukovatelja od ovih učinaka vibracija i/ili buke, primjerice: održavanje alata i pribora, osiguravanje da ruke budu tople, organizacija obrazaca rada.

UPOZORENIE! Pročitajte sve sigurnosne upute, napomene, prikaze i podatke koje dobijete uz uređaj. Ako se ne bi pridržavali sljedećih uputa, moglo bi doći do električnog udara, požara i/ili teških ozljeda.

Sačuvajte sve napomene o sigurnosti i upute za buduću primjenu.

OSTALE SIGURNOSNE I RADNE UPUTE

Ne sezati u područje opasnosti radećeg stroja.

Piljevina ili iverje se za vrijeme rada stroja ne smiju odstranjivati.

Aparat odmah isključiti, ako dođe do bitnih titranja, ili ako se utvrde drugi nedostaci. Provjerite stroj, kako bi utvrdili uzrok.

Radni predmet koji se obrađuje mora biti čvrsto stegnut, ako se ne drži svojom osobnom težinom.

Zbog opasnosti od kratkog spoja metalni dijelovi ne smiju dospjeti u otvore za prozračivanje.

UPOZORENIE! Zbog izbjegavanja opasnosti od požara jednim kratkim spojem, opasnosti od ozljeda ili oštećenja proizvoda, alat, izmjenjivi akumulator ili napravu za punjenje ne uronjavati u tekućine i pobrinite se za to, da u uređaje ili akumulator ne prodiru nikakve tekućine. Korozirajuće ili vodljive tekućine kao slana voda, određene kemikalije i sredstva za bijeljenje ili proizvodi koji sadrže sredstva bijeljenja, mogu prouzročiti kratak spoj.

Baterije za zamjenu i uređaje za punjenje ne otvarati i čuvati ih samo u suhim prostorijama. Čuvati protiv vlage.

Baterije sistema M18 puniti samo sa uređajem za punjenje sistema M18. Ne puniti baterije iz drugih sistema.

PROPISNA UPOTREBA

Polirač se primjenjuje kod poliranja lakova, premaza, umjetnih materijala i drugih glatkih površina.

Proizvod nemojte koristiti u svrhe za koje nisu namijenjeni.

PREOSTALE OPASNOSTI

I kod pravilne uprabe se ne mogu isključiti svi ostaci rizika. Kod uporabe mogu nastati sljedeće opasnosti, na koje poslužioc mora obratiti posebnu pažnju:

- Vibracijama prouzročene ozljede. Uređaj držite na za to predviđenim drškama i ograničite radno vrijeme i vrijeme ekspozicije.
- Opterećenje bukom može dovesti do oštećenja sluha. Nosite zaštitu sluha i ograničite trajanje ekspozicije.
- Česticama prljavštine prouzročene ozljede oči. Nosite uvijek zaštitne naočale, zatvorene duge hlače, rukavice i zatvorene cipele.
- Udisanje otrovnih prašina.

UPUTE ZA LI-ION-AKUMULATORE

Korištenje Li-Ion-akumulatora

Baterije koje duže vremena nisu korištene, prije upotrebe napuniti.

Temperatura od preko 50°C smanjuje učinak baterija. Duže zagrijavanje od strane sunca ili grijanja izbjeci.

Priključne kontakte na uređaju za punjenje i baterijama držati čistima.

Za optimalni vijek trajanja se akumulatori poslije upotrebe moraju sasvim napuniti.

Za što moguće duži vijek trajanja, akumulatori se nakon punjenja moraju odstraniti iz punjača.

Kod skladištenja akumulatora duže od 30 dana: Akumulator skladištiti na suhom kod ca. 27°C. Akumulator skladištiti kod ca. 30%-50% stanja punjenja. Akumulator ponovno napuniti svakih 6 mjeseci.

Zaštita od preopterećenja akumulatora kod Li-Ion-akumulatora

Kod preopterećenja akumulatora kroz vrlo visoku potrošnju struje, npr. ekstremno visoki zakretni momenti, električni alat vibrira za vrijeme od 5 sekundi, pokazivač punjenja treperi i električni alat se samostalno isključuje.

Za ponovno uključivanje ispuštiti okidač sklopke i zatim ponovno uključiti. Pod ekstremnim opterećenjima se akumulator prejako zagrije. U tome slučaju trepere sve lampice pokazivača punjenja, sve dok se akumulator ne ohladi. Poslije gašenja pokazivača punjenja se može nastaviti sa radom.

Transport litijskih ionskih baterija

Litijske-ionske baterije spadaju pod zakonske odredbe u svezi transporta opasne robe.

Prijevoz ovih baterija mora uslijediti uz poštivanje lokalnih, nacionalnih i internacionalnih propisa i odredaba.

Korisnici mogu bez ustručavanja ove baterije transportirati po cestama.

Komercijalni transport litijsko-ionskih baterija od strane transportnih poduzeća spada pod odredbe o transportu opasne robe. Otpremničke pripreme i transport smiju izvoditi isključivo odgovarajuće školovane osobe. Kompletni proces se mora pratiti na stručan način.

Kod transporta baterija se moraju poštivati slijedeće točke:

Uvjerite se da su kontakti zaštićeni i izolirani kako bi se izbjegli kratki spojevi.

Pazite na to, da blok baterija unutar pakiranja ne može proklizavati. Oštećene ili iscrpjele baterije se ne smiju transportirati. U svezi ostalih uputa obratite se vašem prijevoznom poduzeću.

RADNE UPUTE

Uvijek upotrebljavajte ručke radi jamčenja pravilne kontrole. Pomičite alat za poliranje prema naprijed i natrag dugačkim, širokim pokretima. U slučaju prevelikog tlaka, pogrešnog kutu ili nepravilnog kretanja može doći do nastanka tragova vrludanja i izgaranja.

Za detaljne upute za poliranje pročitajte upute isporučene sa sredstvima za završnu obradu, voskovima i sredstvima za poliranje.

UPOZORENIE! Da biste smanjili opasnost od ozljeda, slijedite upute kako biste izbjegli struganje. Struganje može dovesti do povratnog udara alata i iznenadnog gubitka rukovateljeve kontrole nad alatom. Uvijek se koristite ručkom da biste zadržali kontrolu.

Sprječavanje struganja

Do struganja dolazi kada obloge za poliranje zapnu o grube rubove radne površine. Struganje može dovesti do naglog „povratnog udara“, pa obloga može spržiti lak. Da biste smanjili opasnost od struganja, koristite se alatom za poliranje pri niskim brzinama tijekom poliranja grubih površina. Za nepristupačna područja kao što su blizina rubova ili prostor između zrcala i prozora na automobilu nemojte riskirati upotrebom alata za poliranje. Te površine ispolirajte ručno.

ČIŠĆENJE

Proreze za prozračivanje stroja uvijek držati čistima.

ODRŽAVANJE

Primijeniti samo Milwaukee opremu i Milwaukee rezervne dijelove. Sastavne dijelove, čija zamjena nije opisana, dati zamijeniti kod jedne od Milwaukee servisnih službi (poštivati brošuru Garancija/ Adrese servisa).

Po potrebi se može zatražiti crtež eksplozije aparata uz davanje podataka o tipu stroja i desetoznamenkastog broja na pločici nacige kod Vaše servisne službe ili direktno kod Techtronic Industries GmbH, Max-Eyth-Straße 10, 71364 Winnenden, Germany.

SIMBOLI



Molimo da pažljivo pročitate uputu o upotrebi prije puštanja u rad.



PAŽNJA! UPOZORENIE! OPASNOST!



Prije svih radova na stroju izvoditi bateriju za zamjenu.



Ne upotrebljavati silu.



Kod radova na stroju uvijek nositi zaštitne naočale.



Filter za prašinu



Oprema - u opsegu isporuke nije sadržana, preporučena dopuna iz promgrama opreme.



Elektrouređaji, baterije/akumulatori se ne smiju zbrinjavati skupa sa kućnim smećem. Električni uređaji/akumulatori se moraju skupljati odvojeno i predati na zbrinjavanje primjereno okolišu jednom od pogona za iskorišćavanje. Raspitajte se kod mjesnih vlasti ili kod stručnog trgovca u svezi gospodarstva za recikliranje i mjesta skupljanja.

n₀

Broj okretaja praznog hoda

V

Napon



Istosmjerna struja



Europski znak suglasnosti



Britanski znak suglasnosti



Ukrajinski znak suglasnosti



Euroazijski znak suglasnosti

TEHNIŠKIE DATI

	M18 FROP15	M18 FROP21
Konstrukcija	Pulētājs	Pulētājs
Izlaides numurs	4838 77 01 XXXXX MJJJ	4911 31 01 XXXXX MJJJ
Akumulātorā spriegums	18 V =	18 V =
Nominālais griešanās ātrums	0 - 5100 min ⁻¹	0 - 4500 min ⁻¹
Tukšgaitas apgriezienu skaits	2650 - 5100 min ⁻¹	2400 - 4500 min ⁻¹
Pulierdisks Diametrs	125 mm	150 mm
Pulierpolsteris Diametrs maksimālais	125 mm	150 mm
Orbitālās virsmas diametrs	15 mm	21 mm
Svars atbilstoši EPTA -Procedure 01/2014 (Li-Ion 2,0 Ah ... 12,0 Ah)	2,9 ... 4,0 kg	3,0 ... 4,2 kg
Darbībai ieteicamā apkārtnes temperatūra	-18 ... +50 °C	
Ieteicamie akumulatoru komplekti	M18B...; M18HB...	
Ieteicamās uzlādes ierīces	M12-18...; M1418C6	

Trokšņu informācija: Vērtības, kas noteiktas saskaņā ar EN 62841.

A novērtētās aparatūras skaņas līmenis ir:

Trokšņa spiediena līmenis / Nedrošība K

78,0 dB (A) / 3 dB (A)

77,0 dB (A) / 3 dB (A)

Trokšņa jaudas līmenis / Nedrošība K

89,0 dB (A) / 3 dB (A)

88,0 dB (A) / 3 dB (A)

Nēsāt trokšņa slāpētāju!

Vibrācijas informācija: Svārstību kopējā vērtība (Trīs virzienu vektoru summīte) noteikta atbilstoši EN 62841.

svārstību emisijas vērtība a_n / Nedrošība K

9,7 m/s² / 1,5 m/s²

14,7 m/s² / 1,5 m/s²

UZMANĪBU!

Vibrācijas un trokšņa emisijas līmenis šajā informācijas lapā ir izmērīts saskaņā ar EN 62841 standarta testa metodi un var tikt izmantots, lai salīdzinātu vienu ierīci ar otru. Tās var tikt izmantotas ietekmes sākotnējai izvērtēšanai.

Norādītais vibrācijas un trokšņa emisijas līmenis attēlo ierīces galvenos izmantošanas veidus. Tomēr, ja ierīce tiek izmantota citiem mērķiem, ar citu papildaprīkojumu vai nepareizi apkalpota, vibrācijas un trokšņa emisija var atšķirties. Tas var ievērojami paaugstināt ietekmes līmeni visā darba laikā.

Novērtējot vibrācijas un trokšņa ietekmes līmeni, vajadzētu ņemt vērā arī laiku, kad ierīce ir izslēgta vai ieslēgta, taču netiek lietota. Tas var ievērojami samazināt ietekmes līmeni visā darba laikā.

Lai aizsargātu operatoru no vibrācijas un/vai trokšņa, veiciet papildu drošības pasākumus, piemēram, veiciet apkopi ierīcei un papildaprīkojumam, uzturiet rokas siltas, organizējiet darba grafiku.

UZMANĪBU!

Izlasiet visus drošības norādījumus, instrukcijas, attēlus un datus, ko saņemat kopā ar ierīci. Turpmāk sniegto norādījumu neievērošana var kļūt par cēloni elektriskajam triecienam, ugunsgrēkam un/vai smagam savainojumam.

Pēc izlasīšanas uzglabājiet šos noteikumus turpmākai izmantošanai.

CITAS DROŠĪBAS UN DARBA INSTRUKCIJAS

Nelikot rokas mašīnas darbības laukā.

Skaidas un atlūzas nedrīkst ņemt ārā, kamēr mašīna darbojas.

Ja parādās stipras svārstības vai citi defekti, mašīnu vajag nekavējoties izslēgt. Mašīnu vajag nekavējoties pārbaudīt, lai noteiktu traucējumu cēloņus.

Apstrādājamā detaļa, ja to netur pašsvars, ir stingri jānostiprina.

Sakarā ar to, ka var izraisīt īsslēdzienu, dzesēšanas atverēs nedrīkst iekļūt nekādi metāla priekšmeti.

UZMANĪBU! Lai novērstu īssavienojuma izraisītu aizdegšanās, savainojumu vai produkta bojājuma risku, neiegremdējiet instrumentu, maināmo akumulatoru vai uzlādes ierīci šķidrums un rūpējieties par to, lai ierīcēs un akumulatoros neiekļūtu šķidrums. Koroziju izraisoši vai vadītspējīgi šķidrums, piemēram, sālsūdens, noteiktas ķīmikālijas, balinātāji vai produkti, kas satur balinātājus, var izraisīt īssavienojumu.

Akumulatorus un lādētājus nedrīkst taisīt vaļā un tie jāuzglabā sausās telpās.

M18 sistēmas akumulatorus lādēt tikai ar M18 sistēmas lādētājiem. Nedrīkst lādēt citus akumulatorus no citām sistēmām.

NOTEIKUMIEM ATBILSTOŠS IZMANTOJUMS

Pulēšanas ierīci var izmantot laku, pārklājumu, plastmasu un citu gludu virsmu pulēšanai.

Izmantojiet ražojumu tikai tam paredzētajiem mērķiem.

PĀRĒJIE RISKI

Arī, pareizi lietojot ierīci, nav iespējams izslēgt pilnīgi visus riskus. Lietojot ierīci, var rasties šāds apdraudējums, kam lietotājam jāpievērš īpaša uzmanība:

- Vibrācijas radītas traumas. Turiet ierīci aiz tam paredzētajiem rokturiem un ierobežojiet darbu un ekspozīcijas laiku.
- Troksnis var bojāt dzirdi. Lietojiet dzirdes aizsargierīces un ierobežojiet ekspozīcijas laiku.
- Netīrumu daļiņas var traumēt acis. Vienmēr valkājiet aizsargbrilles, stingras, garas bikses, cimdus un stingrus apavus.
- Indīgu putekļu ieelpošana.

NORĀDĪJUMI LITĪJA JONU AKUMULATORIEM

Litija jonu akumulatoru lietošana

Akumulatori, kas ilgāku laiku nav izmantoti, pirms lietošanas jāuzlādē.

Pie temperatūras, kas pārsniedz 50°C, akumulatoru darbība tiek negatīvi ietekmēta. Vajag izvairīties no ilgākas saules un karstuma iedarbības.

Lādētāja un akumulatoru pievienojuma kontakti jāuztur tīri.

Lai baterijas darba ilgums būtu optimāls, pēc iekārtas izmantošanas tā jāuzlādē.

Lai akumulatori kalpotu pēc iespējas ilgāku laiku, tos pēc uzlādes ieteicams atvienot no lādētāj ierīces.

Akumulatora uzglabāšana ilgāk kā 30 dienas: uzglabāt akumulatoru pie aptuveni 27° C un sausā vietā. Uzglabāt akumulatoru uzlādes stāvoklī aptuveni pie 30%-50%. Uzlādēt akumulatoru visus 6 mēnešus no jauna.

Litija jonu akumulatoru aizsardzība pret pārslodzi

Akumulatoru pārslodzuma gadījumos, esot ļoti lielam elektroenerģijas patēriņam, piem., ārkārtīgi augsts griezes moments, pēkšņa apstāšanās vai īssavienojums, elektriskais darbarīks 5 sekundes vibrē, uzlādes indikators mirgo, un elektriskais darbarīks pats izslēdzas.

Lai to atkal ieslēgtu, atlaidiet ieslēgšanas pogu un tad to ieslēdziet no jauna. Esot ārkārtīgi augstam noslogojumam, akumulators sakarst pārāk daudz. Šādā gadījumā visas uzlādes indikatora lampiņas mirgo tik ilgi, kamēr akumulators ir atdzisis. Darbu varat turpināt, kad uzlādes indikators vairs nedeg.

Litija jonu akumulatoru transportēšana

Uz litija jonu akumulatoriem attiecas noteikumi par bīstamo kravu pārvadāšanu.

Šo akumulatoru transportēšana jāveic saskaņā ar vietējiem, valsts un starptautiskajiem normatīvajiem aktiem un noteikumiem.

Patērētāja darbības, pārvadājot šos akumulatorus pa autoceļiem, nav reglamentētas.

Uz litija jonu akumulatoru komerciālu transportēšanu, ko veic ekspedīcijas uzņēmums, attiecas bīstamo kravu pārvadāšanas noteikumi. Saņegatavošanas darbus un transportēšanu drīkst veikt tikai atbilstoši apmācīts personāls. Viss process jāveda profesionāli.

Veicot akumulatoru transportēšanu, jāievēro:

Pārliecinieties, ka kontakti ir aizsargāti un izolēti, lai izvairītos no īssavienojumiem.

Pārliecinieties, ka akumulators iepakojumā nevar paslīdēt. Bojātus vai tekošus akumulatorus nedrīkst transportēt. Plašāku informāciju Jūs varat saņemt no ekspedīcijas uzņēmuma.

DARBA NORĀDĪJUMI

Pareizai kontrolei vienmēr izmantojiet rokturus. Pārvietojiet pulēšanas ierīci uz priekšu un atpakaļ ar garām, slidošām kustībām. Pārāk liels spiediens, nepareizs leņķis vai nepareiza kustība var atstāt griešanās pēdas vai izraisīt dēģšanu.

Lai iegūtu detalizētus norādījumus par pulēšanu, izlasiet instrukcijas, kas pievienotas apstrādes un pulēšanas līdzekļiem, un vaskiem.

UZMANĪBU! Lai samazinātu traumu risku, sekojiet norādījumiem, lai novērstu aizķeršanos. Aizķeršanās var izraisīt instrumenta atsienu, un to, ka operators pēkšņi zaudē kontroli pār instrumentu. Lai saglabātu kontroli, vienmēr izmantojiet rokturi.

Aizķeršanās novēršana

Aizķeršanās rodas, ja pulēšanas spilventiņi aizķeras aiz nelīdznam darba virsmas malām. Aizķeršanās var izraisīt instrumenta pēkšņu "atsitenu", un tas var atstāt spilventiņa deguma pēdas krāsā. Lai samazinātu aizķeršanās risku, pulējot rupjas virsmas, iestatiet pulētāju uz mazu ātrumu. Neriskējiet tādās sarežģītās vietās kā tuvu automašīnas apdarei vai starp spoguļi un loģu. Pulējiet šīs virsmas ar rokām.

TĪRĪŠANA

Vajag vienmēr uzmanīti, lai būtu tīras dzesēšanas atveres.

APKOPE

Izmantojiet tikai firmu Milwaukee piederumus un firmas Milwaukee rezerves daļas. Lieciet nomaiņai detaļas, kuru nomaīņa nav aprakstīta, kādā no firmu Milwaukee klientu apkalpošanas servisiem. (Skat. brošūru "Garantija/klientu apkalpošanas serviss".)

Ja nepieciešams, klientu apkalpošanas servisā vai tieši pie firmas Technonic Industries GmbH, Max-Eyth-Straße 10, 71364 Winnenden, Germany, var pieprasīt instrumenta numurs, kas norādīts uz jaudas paneļa.

SIMBOLI	
	Pirms sākt lietot instrumentu, lūdzu, izlasiet lietošanas pamācību.
	UZMANĪBU! BĪSTAMI!
	Pirms mašīnai veikt jebkāda veida apkopes darbus, ir jāizņem arī akumulators.
	Nepielietot spēku
	Strādājot ar mašīnu, vienmēr jānēsā aizsargbrilles.
	Putekļu filtrs
	Piederumi - standartaprīkojumā neietvertās, bet ieteicamās papildus komplektācijas detaļas no piederumu programmas.
	Elektriskais aparāts, baterijas/akumulatorus nedrīkst izmantot kopā ar mājāsaimniecības atkritumiem. Elektriskie aparāti un akumulatori ir jāsavāc atsevišķi un jānodod atkritumu pārstrādes uzņēmumā videi saudzīgai utilizācijai. Jautājiet vietējā iestādē vai savam specializētajam tirgotājam, kur atrodas atkritumu pārstrādes uzņēmumi vai savākšanas punkti.
	n ₀ Tukšgaitas apgriezienu skaits
	Voltāža
	Līdzstrāva
	Eiropas atbilstības zīme
	Lielbritānijas atbilstības zīme
	Ukrainas atbilstības zīme
	Eirāzijas atbilstības zīme

TECHNINIAI DUOMENYS	M18 FROP15	M18 FROP21
Konstrukcija	Poliruoklis	Poliruoklis
Produkto numeris	4838 77 01 XXXXX MJJJ	4911 31 01 XXXXX MJJJ
Keičiamo akumulatoriaus įtampa	18 V =	18 V =
Nominalus sūkių skaičius	0 - 5100 min ⁻¹	0 - 4500 min ⁻¹
Sūkių skaičius laisva eiga	2650 - 5100 min ⁻¹	2400 - 4500 min ⁻¹
Poliravimo diskas Skersmuo	125 mm	150 mm
Poliravimo padas Skersmuo maks.	125 mm	150 mm
Judesio apskritimo ø	15 mm	21 mm
Prietaiso svoris įvertintas pagal EPTA 01/2014 tyrimų metodiką (Li-Ion 2,0 Ah ... 12,0 Ah)	2,9 ... 4,0 kg	3,0 ... 4,2 kg
Rekomenduojama aplinkos temperatūra eksploatuojant	-18 ... +50 °C	
Rekomenduojami akumulatoriai	M18B...; M18HB...	
Rekomenduojami įkrovikliai	M12-18...; M1418C6	
Informacija apie keliamą triukšmą: Vertės matuotos pagal EN 62841. Įvertintas A įrenginio keliamo triukšmo lygis dažniausiai sudaro:		
Garso slėgio lygis / Paklaida K	78,0 dB (A) / 3 dB (A)	77,0 dB (A) / 3 dB (A)
Garso galios lygis / Paklaida K	89,0 dB (A) / 3 dB (A)	88,0 dB (A) / 3 dB (A)
Nešioti klausos apsaugines priemones!		
Informacija apie vibraciją: Bendroji svyravimų reikšmė (trijų krypčių vektorių suma), nustatyta remiantis EN 62841.		
Vibravimų emisijos reikšmė a _n / Paklaida K	9,7 m/s ² / 1,5 m/s ²	14,7 m/s ² / 1,5 m/s ²

⚠ DĖMESIO!

Šiame vadove nurodytos bendrosios vibracijos ir triukšmo emisijos vertės nustatytos pagal standartinius bandymo metodus pagal EN 62841, todėl gali būti taikomos lyginant vieną įrankį su kitu. Gali būti naudojama preliminariama poveikio įvertinimu.

Nurodytos bendrosios vibracijos ir triukšmo emisijos vertės atitinka įrankio taikymą. Jei įrankis naudojamas kitokiais tikslais, kartu su kitokiais priedais ar netinkamai prižiūrimas, bendrosios vibracijos ir triukšmo emisijos vertės gali skirtis. Tai gali žymiai padidinti poveikio lygį viso darbo metu.

Apskaičiuojant bendrosios vibracijos ir triukšmo emisijos vertes reikėtų atsižvelgti į laikotarpį, kai prietaisas yra išjungtas arba įjungtas, bet nėra naudojamas. Tai gali žymiai sumažinti poveikio lygį viso darbo metu.

Tam, kad naudotojas būtų apsaugotas nuo vibracijos ir (arba) triukšmo poveikio, reikia nustatyti papildomus saugos reikalavimus, pavyzdžiui: tinkamai prižiūrėti prietaisą ir jo priedus, laikyti rankas šiltais, organizuoti darbo modelius.

⚠ DĖMESIO! Paskaitykite visas saugos nuorodas, instrukcijas, iliustracijas ir duomenis, kuriuos gaunate su prietaisu. Jei nepaisysite toliau pateiktų nuorodų, gali kilti elektros smūgio, gaisro ir /arba sunkių sužalojimų pavojus.

Išsaugokite šias saugos nuorodas ir reikalavimus, kad ir ateityje galėtumėte jais pasinaudoti.

KITI SAUGUMO IR DARBO NURODYMAI

Nekiškite rankų į veikiančio įrenginio pavojaus zoną.

Draudžiama išiminti drožles ar nuopjovas, įrenginiui veikiant.

Prietaisą tuoj pat išjunkite, jei atsiranda stiprūs virpesiai arba kiti trūkumai. Patikrinkite įrenginį ir nustatykite priežastį.

Apdorojama detalė, jei ji nesilaiko savo svoriu, visada turi būti įtvirtinta.

Saugokite, kad metalinės dalys nepatektų į vėdinimo angas – trumpojo jungimo pavojus.

DĖMESIO! Siekdami išvengti trumpojo jungimo sukeliama gaisro pavojaus, sužalojimų arba produkto pažeidimų, nekiškite įrankio, keičiamo akumulatoriaus arba įkroviklio į skysčius ir pasirūpinkite, kad į prietaisus arba akumulatorius nepatektų jokių skysčių. Koroziją sukeliantys arba laidūs skysčiai, pvz., sūrus vanduo, tam tikri chemikalai ir balikliai arba produktai, kurių sudėtyje yra baliklių, gali sukelti trumpąjį jungimą.

Keičiamų akumuliatorių ir įkroviklių nelaikykite atvirai. Laikykite tik sausoje vietoje. Saugokite nuo drėgmės.

Keičiamus M18 sistemos akumulatorius kraukite tik „M18“ sistemos įkrovikliais. Nekraukite kitų sistemų akumuliatorių.

NAUDOJIMAS PAGAL PASKIRTĮ

Poliruoklius galima naudoti lakų, dangų, plastikų ir kitų lygių paviršių poliravimui.

Nenaudokite gaminio kitaip, nei nurodytas naudojimas pagal paskirtį.

Ličio jonų akumulatoriaus apsauga nuo perkrovos

Esant akumulatoriaus perkrovai dėl pernelyg didelio srovės suvartojimo, pvz.: itin didelių apskų, staigaus sustabdymo ar trumpojo jungimo, elektrinis įrankis vibruoja 5 sekundes, signalinis įkrovos rodmuo pradeda mirksėti ir elektrinis įrankis automatiškai išsijungia.

Norint įrankį pakartotinai jungti, reikia atleisti jungiklį ir vėl jį jungti. Esant ekstremalioms apkrovoms akumulatorius per stipriai įkaista. Tokiu atveju visos įkrovos lemputės mirksi taip ilgai, kol akumulatorius atvėsta. Užgesus įkrovos rodmėms įrankių galima naudotis toliau.

Ličio jonų akumuliatorių pervežimas

Ličio jonų akumuliatoriams taikomos įstatyminės nuostatos dėl pavojingų krovinių pervežimų.

Šiuos akumulatorius pervežti būtina laikantis vietinių, nacionalinių ir tarptautinių direktyvų ir nuostatų.

Naudotojai šiuos akumulatorius gali naudoti savo transporte be jokių kitų sąlygų.

Už komercinį ličio jonų akumuliatorių pervežimą atsako ekspedicijos įmonė pagal nuostatas dėl pavojingų krovinių pervežimo. Pasiruošimo išsiųsti ir pervežimo darbus gali atlikti tik atitinkamai išmokyti asmenys. Visas procesas privalo būti prižiūrimas.

Pervežant akumulatorius būtina laikytis šių punktų:

Siekiant išvengti trumpųjų jungimų, įsitikinkite, kad kontaktai yra apsaugoti ir izoliuoti.

Atkreipkite dėmesį, kad akumulatorius pakuotės viduje neslidinėtų. Draudžiama pervežti pažeistus arba tekančius akumulatorius. Dėl detalesnių nurodymų kreipkitės į savo ekspedicijos įmonę.

DARBO NUORODOS

Tinkamam valdymui visada naudokite rankenas. Judinkite poliruoklį pirmyn ir atgal ilgais, tolygiais judesiais. Jei per daug spausite, pasirinksite neteisingą kampa arba netinkamą judesį, atsiras sukurių arba apdeginsite paviršius.

Išsamesnius nurodymus dėl poliravimo rasite instrukcijose, pateikiamose su laku, vašku ir politūra.

DĖMESIO! Norėdami sumažinti sužeidimų riziką, laikykitės nurodymų, padedančių išvengti strigimo. Jei įrankis pradeda strigti, jis gali atšokti ir naudotojas gali netikėtai prarasti įrankio kontrolę. Norėdami išlaikyti kontrolę visada naudokite laikymo rankeną.

Apsisaugojimas nuo strigimų

Įrankis pradeda strigti tuomet, kai poliravimo diskai užkliūva už šiurkščių darbinio paviršiaus kraštų. Įstrigęs įrankis gali netikėtai atšokti ir diskas gali nudeginti dažus. Norėdami sumažinti įstrigimo riziką, naudokite poliruoklį nedideliu greičiu, kai poliruojate šiurkščius paviršius. Apdorodami sudėtingus paviršius, pvz. netoli apdailos ar tarp veidrodėlio ir stiklo automobilyje, nerizikuokite ir nenaudokite poliruoklio. Šiuos paviršius poliruokite ranka.

VALYMAS

Įrenginio vėdinimo angos visada turi būti švarios.

TECHNINIS APTARNAVIMAS

Naudokite tik „Milwaukee“ priedus ir „Milwaukee“ atsarginės dalis. Dalis, kurių keitimas neaprašytas, leidžiama keisti tik „Milwaukee“ klientų aptarnavimo skyriams (žr. garantiją/klientų aptarnavimo skyrių adresus brošiūroje).

Jei reikia, nurodant įrenginio tipą bei specifikacijų lentelėje esantį numerį, iš klientų aptarnavimo skyriaus arba tiesiai iš Technonic Industries GmbH, Max-Eyth-Straße 10, 71364 Winnenden, Germany, galima užsisakyti prietaiso surinkimo brėžinius.

SIMBOLIAI



Prieš pradėdami dirbti su prietaisu, atidžiai perskaitykite jo naudojimo instrukciją.



DĖMESIO! ĮSPĖJIMAS! PAVOJUS!



Prieš atlikdami bet kokius darbus įrenginyje, išimkite keičiamą akumuliatorių.



Nenaudoti jėgos.



Dirbdami su įrenginiu visada nešiokite apsauginius akinius.



Dulkių filtras



Priedas – neįeina į tiekimo komplektaciją, rekomenduojamas papildymas iš priedų asortimento.



Elektros prietaisų, baterijų/akumuliatorių šalinti kartu su buitiniams atliekoms negalima. Elektros prietaisus ir akumuliatorius reikia surinkti atskirai ir atiduoti perdirbimo įmonei, kad būtų pašalinti aplinkai saugiu būdu. Vietos valdžios institucijose arba specializuotose prekybos vietose pasidomėkite apie perdirbimo ir surinkimo centrus.



Sūkių skaičius laisva eiga



Įtampa



Nuolatinė srovė



Europos atitikties ženklas



Britanijos atitikties ženklas



Ukrainos atitikties ženklas



Eurazijos atitikties ženklas

TEHNILISED ANDMED

	M18 FROP15	M18 FROP21
Konstruksioon	Poleerija	Poleerija
Tootmisnumber	4838 77 01 XXXXX MJJJ	4911 31 01 XXXXX MJJJ
Vahetatava aku pinge	18 V =	18 V =
Nimipöörded	0 - 5100 min ⁻¹	0 - 4500 min ⁻¹
Pöörlemiskiirus tühjooksul	2650 - 5100 min ⁻¹	2400 - 4500 min ⁻¹
Poleertaldrik Lābimōdōt	125 mm	150 mm
Poleerepadi Lābimōdōt max	125 mm	150 mm
Pöörlemisingi ø	15 mm	21 mm
Kaal vastavalt EPTA-protseduurile 01/2014 (Li-Ion 2,0 Ah ... 12,0 Ah)	2,9 ... 4,0 kg	3,0 ... 4,2 kg
Soovituslik keskkonna temperatuur töötamiseks	-18 ... +50 °C	
Soovituslikud akupakid	M18B...; M18HB...	
Soovituslik laadija	M12-18...; M1418C6	

Mūra andmed: Mōōtevāārtused on kindlaks tehtud vastavalt normile EN 62841.

Seadme tūūpiline hinnanguline (mūratase:

Helirōhutase / Māāramatus K

78,0 dB (A) / 3 dB (A)

77,0 dB (A) / 3 dB (A)

Helivōimsuse tase / Māāramatus K

89,0 dB (A) / 3 dB (A)

88,0 dB (A) / 3 dB (A)

Kandke kaitseks kõrvaklappe!

Vibratsiooni andmed: Vibratsiooni koguvāārtus (kolme suuna vektorsummōdōdetud EN 62841 jārgi.

Vibratsiooni emissiooni vāārtus a_h / Māāramatus K

9,7 m/s² / 1,5 m/s²

14,7 m/s² / 1,5 m/s²

TĀHELEPANU!

Sellel teabelehel toodud vibratsiooni- ja mūraemissioon on mōdōdetud standardis EN 62841 kirjeldatud standarditud testiga ning seda vōib kasutada tōōristade omavaheliseks vōrdlemiseks. Testi vōib kasutada kokkupuute esialgseks hindamiseks.

Deklarēeritud vibratsiooni- ja mūratase puudutab tōōriista pōhikasutust. Kui tōōriista kasutatakse muuks otstarbeks, teistsuguste tarvikutega vōi tōōriista hooldatakse halvasti, vōivad vibratsioon ja mūraemissioon erineda. See vōib kokkupuutetasel kogu tōōajal oluliselt suurendada.

Vibratsiooni ja mūraga kokkupuute hinnangulise taseme juures tuleb arvesse vōtta ka aega, kui tōōriist on vālja lūlitatud vōi tōōtab, kuid sellega ei tehta tōōd. See vōib kokkupuutetasel kogu tōōaja kohta oluliselt vāhendada.

Tehke kindlaks tāiendavad ohutusmeetmed operaatori kaitsmiseks vibratsiooni ja/vōi mūra eest, nāiteks: hooldage tōōriista ja tarvikuid, hoidke kāed soojas, vaadake ūle tōōkorraldus.

TĀHELEPANU! Lugege kōik seadmega kaasas olevad ohutusjuhised, juhendid, jōonised ja andmed lābi. Jārgnevalt toodud juhiste eiramise tagajārkēs vōib olla elektrilōok, tulekahju ja/vōi rasked vigastused.

Hoidke kōik ohutusnōuded ja juhised edasiseks kasutamiseks hoolikalt alles.

EDASISED OHUTUS- JA TŌŌJUHISED

Ārge pange kāt tōōtava masina ohupiirkonda.

Puru ega pilpaid ei tohi eemaldada masina tōōtamise ajal.

Lūlitage seade vālja kohe, kui tekib mārgatav vibratsioon vōi mārkatē muid puudusi. Kontrollige masin ūle, et pōhjus kindlaks teha.

Tōōdeldav toorik tuleb kinnitada, kui ta ei seisa oma raskusega paigal.

Lūhiseohu tōttu ei tohi ōhutuspiludesse sattuda metallosi.

TĀHELEPANU! Lūhisest pōhjustatud tuleohu, vigastuste vōi toote kahjustuste vāltimiseks ārge kastke tōōriista, vahetusakut ega laadimiseseadet vedelikku ning jālגיע, et vedelikke ei tungiks seadmetesse ega akusse. Korrodeeruvad vōi elektrit juhtivad vedelikud, nagu soolvesi, teatud kemikaalid ja pleegitusained vōi pleegitusaineid sisaldavad tooted, vōivad pōhjustada lūhist.

Ārge avage vahetatavaid akusid ega laadijaid ning ladustage neid ainult kuivades ruumides. Kaitske niiskuse eest.

Laadige sūsteemi M18 vahetatavaid akusid ainult sūsteemi M18 laadijatega. Ārge laadige nendega teiste sūsteemide akusid.

KASUTAMINE VASTAVALT OTSTARBELE

Poleerijat saab rakendada lakkide, kattekihtide, plastide ja teiste siledade pealispindade poleerimiseks.

Ārge kasutage toodet viisidel, mida ei ole toodud kasutusotstarbe peatūkis.

JĀĀKOHUD

Jāākohud ei ole vālistatud ka otstarbekohase kasutamise korral. Kasutamisel vōivad tekkida jārgmised ohud, millele kasutaja peab erilist tāhelepanu pōōrama:

- Vibratsioonist pōhjustatud vigastused. Hoidke seadet selleks ette nāhtud kāepidemetest ja piirake tōō- ning toimeaega.
- Mūrasaaste vōib pōhjustada kuulmekahjustusi. Kandke kuulmekaitset ja piirake toimeaega.
- Mustuseosakestest pōhjustatud silmavigastused. Kandke alati kaitseprille, vastupidavaid pikki pūkse, kindaid ning tugevaid jalatseid.
- Mūrgiste tolmude sissehingamine

LIITIUMIOONAKUDE JUHISED

Liitiumioonakude kasutus

Pikemat aega mittekasutatud akusid laadige veel enne kasutamist. Temperatuur ūle 50 °C vāhendab vahetatava aku tōōvōimet. Vāltige pikemat soojenemist pāikese vōi kūtteseadme mōjul. Hoidke laadija ja vahetatava aku ūhenduskontaktid puhtad.

Optimaalse patarei eluea tagamiseks, pārast kasutamist lae patareiplokk tāiilikult. Akud tuleks vōimalikult pika kasutusea saavutamiseks pārast tāislaadimist laadijast vālja vōtta.

Aku ladustamisel ūle 30 pāeva:

Ladustage akut kuivas kohas u 27°C juures.

Ladustage akut u 30-50% laetusseisundis.

Laadige aku iga 6 kuu tagant tāis.

Liitumioonakude ülekoormuskaitse

Aku ülekoormamisel kõrge voolutarbimisega, nt puuri blokeerumisel, lühise tekkimisel või ülikõrgetel pööretel, vibreerib elektrotööriist 5 sekundit, laadimistuli vilgub ja tööriist lülitub automaatselt välja.

Uuesti sisse lülitamiseks tuleb päästik esmalt vabastada ning seejärel uuesti alla suruda. Ülisuurel koormusel võib aku kuumeneda kõrgete temperatuurideni. Sellisel juhul vilguvad kõik laadimistulukesed kuni aku jahtumiseni. Peale laadimistulukeste kustumist võite tööd jätkata.

Liitumioonakude transportimine

Liitumioonakud on allutatud ohtlike ainete transportimisega seonduvatele õigusaktidele.

Nende akude transportimine peab toimuma kohalikest, siseriiklikest ja rahvusvahelistest eeskirjadest ning määrustest kinni pidades.

Tarbijad tohivad neid akusid edasiste piiranguteta tänaval transportida.

Liitumioonakude kommertstransport ekspedeerimisettevõtete kaudu on allutatud ohtlike ainete transportimisega seonduvatele õigusaktidele. Tarne-ettevalmistusi ja transporti tohivad teostada eranditult vastavalt koolitatud isikud. Kogu protsessi tuleb asjatundlikult jälgida.

Akude transportimisel tuleb järgida järgmisi punkte:

Tehke kindlaks, et kontaktid on lühiste vältimiseks kaitstud ja isoleeritud.

Pöörake tähelepanu sellele, et akupakk ei saaks pakendis nihkuda. Kajahustatud või välja voolanud akusid ei tohi kasutada. Pöörduge edasiste juhiste saamiseks ekspedeerimisettevõtte poole.

TÖÖJUHISED

Korrektseks juhtimiseks kasutage alati käepidemede. Liigutage poleerimismasinat edasi-tagasi sujuvate liigutustega. Kui avaldate seadmega pinnale liiga suurt survet, töötlete pinda vale nurga all või teete seadmega valesid liigutusi, võivad pinnale tekkida keerist meenutavad või põletusjälgid.

Üksikasjalikud juhised poleerimise kohta leiate viimistlusvahendite, vahade ja poleerimisvahendite pakenditelt.

TÄHELEPANU! Vigastusohu vähendamiseks järgige kinnikiilumise vältimise juhiseid. Kinnikiilumine võib põhjustada tööriista tagasi-lööki ja seadme kasutaja võib järsult kaotada kontrolli tööriista üle. Juhitavuse säilitamiseks kasutage alati juhtkäepidid.

Kinnikiilumise vältimine

Kinnikiilumist esineb siis, kui poleerimispadjad haakuvad töödeldava pinnale karedate servade taha. Kui tööriist kinni kiilub, võib see tekitada järsu tagasilöögi ja seeläbi võib poleerimispadid põletada läbi värvikihi. Kinnikiilumisohtu vähendamiseks kasutage kardeta pindade poleerimisel poleerimisvahendit väikesel kiirusel. Keerulisemates kohtades, näiteks liistu või atopeegli ja akna vahel hoiduge poleerimisvahendite kasutamisest. Poleerige need pinnad käsitsi.

PUHASTAMINE

Hoidke masina õhutuspilud alati puhtad.

HOOLDUS

Kasutage ainult Milwaukee tarvikuid ja Milwaukee tagavaraosi. Detailid, mille väljavahetamist pole kirjeldatud, laske välja vahetada Milwaukee klienditeeninduspunkti (vaadake brošüüri garantii / klienditeeninduste aadressid).

Vajaduse korral võite tellida seadme läbilõikejoonise, näidates ära masina tüübi ja andmesilidil oleva numbril. Selleks pöörduge klienditeeninduspunkti või otse: Techtronic Industries GmbH, Max-Eyth-Straße 10, 71364 Winnenden, Germany.

SÜMBOLID

	Palun lugege enne käikulaskmist kasutusjuhend hoolikalt läbi.
	ETTEVAATUST! TÄHELEPANU! OHUD!
	Enne kõiki töid masina kallal võtke vahetada aku välja.
	Ärge kasutage jõudu.
	Masinaga töötades kandke alati kaitseprille.
	Tolmufilter
	Tarvikud - ei kuulu tarne komplekti, soovitatav täiendus on saadaval tarvikute programmis.
	Elektriseadmeid, patareisid/akusid ei tohi utiliseerida koos majapidamisprügiga. Elektriseadmed ja akud tuleb eraldi kokku koguda ning kõrvaldada keskkonnasõbralikul moel töötlemiskeskusesse. Kõige infof jäätmeäritlusjaamade ja kogumispunktide kohta oma kohalike ametnike või edasimüüja käest.
	Pöörlemiskiirus tühijooksul
	Voltaaz
	Alalisvool
	Euroopa vastavusmärk
	Ühendkuningriigi vastavusmärk
	Ukraina vastavusmärk
	Euraasia vastavusmärk

ТЕХНИЧЕСКИЕ ДАННЫЕ

	M18 FROP15	M18 FROP21
Модель	Полировальная машина	Полировальная машина
Серийный номер изделия	4838 77 01 XXXXXX MJJJJ	4911 31 01 XXXXXX MJJJJ
Вольтаж аккумулятора	18 V =	18 V =
Номинальное число оборотов	0 - 5100 min ⁻¹	0 - 4500 min ⁻¹
Число оборотов без нагрузки	2650 - 5100 min ⁻¹	2400 - 4500 min ⁻¹
Полировальный диск Диаметр	125 mm	150 mm
Полировочная подушечка Диаметр макс.	125 mm	150 mm
Диаметр осцилляционных перемещений	15 mm	21 mm
Вес согласно процедуре EPTA 01/2014 (Li-Ion 2,0 Ah ... 12,0 Ah)	2,9 ... 4,0 kg	3,0 ... 4,2 kg
Температура окружающей среды, рекомендованная для эксплуатации	-18 ... +50 °C	
Рекомендованные аккумуляторные блоки	M18B...; M18HB...	
Рекомендованные зарядные устройства	M12-18...; M1418C6	
Информация по шумам: Значения замерялись в соответствии со стандартом EN 62841.		
Уровень шума прибора, определенный по показателю A, обычно составляет:		
Уровень звукового давления / Небезопасность K	78,0 dB (A) / 3 dB (A)	77,0 dB (A) / 3 dB (A)
Уровень звуковой мощности / Небезопасность K	89,0 dB (A) / 3 dB (A)	88,0 dB (A) / 3 dB (A)
Пользуйтесь приспособлениями для защиты слуха.		
Информация по вибрации: Общие значения вибрации (векторная сумма трех направлений) определены в соответствии с EN 62841.		
Значение вибрационной эмиссии a _h / Небезопасность K	9,7 m/s ² / 1,5 m/s ²	14,7 m/s ² / 1,5 m/s ²

ВНИМАНИЕ!

Заявленные значения вибрации и шумового излучения, указанные в настоящем информационном листе, были измерены согласно стандартизированному методу испытания согласно EN 62841 и могут использоваться для сравнения одного инструмента с другим. Они могут применяться для предварительной оценки воздействия на организм человека.

Указанные значения вибрации и шумового излучения действительны для основных областей применения инструмента. Однако если инструмент используется в других областях применения или с другими принадлежностями либо проходит ненадлежащее обслуживание, значения вибрации и шумового излучения могут отличаться. Это может существенно увеличить уровень воздействия на организм на протяжении общего периода работы.

При оценке уровня воздействия вибрации и шумового излучения на организм также необходимо учитывать периоды, когда инструмент выключен, или когда он работает, но фактически не используется для выполнения работы. Это может существенно сократить уровень воздействия на организм на протяжении общего периода работы.

Определите дополнительные меры для защиты оператора от воздействия вибрации и/или шума, такие как обслуживание инструмента и его принадлежностей, сохранение рук в тепле, организация графиков работы.

ВНИМАНИЕ! Ознакомьтесь с правилами техники безопасности, техническими регламентами, изображениями и данными, прилагаемыми к устройству. При несоблюдении нижеследующих указаний возможно поражение электрическим током, возникновение пожара и/или получение серьезных травм.

Сохраняйте эти инструкции и указания для будущего использования.

ДОПОЛНИТЕЛЬНЫЕ УКАЗАНИЯ ПО БЕЗОПАСНОСТИ И РАБОТЕ

Никогда не касайтесь опасной режущей зоны в момент работы.

Не убирайте опилки и обломки при включенном инструменте.

Немедленно выключайте машину если почувствовали осязаемую вибрацию или при других неисправностях. Проверьте инструмент чтобы обнаружить причину неисправности.

Если изделие не достаточно тяжелое и неустойчивое, то его необходимо закрепить.

Не приближайте металлические предметы к вентиляционным отверстиям из-за опасности короткого замыкания!

ВНИМАНИЕ! Для предотвращения опасности пожара в результате короткого замыкания, травм и повреждения изделия не опускайте инструмент, сменный аккумулятор или зарядное устройство в жидкости и не допускайте попадания жидкости внутрь устройств или аккумуляторов. Коррозионные и проводящие жидкости, такие как соленый раствор, определенные химикаты, отбеливающие средства или содержащие их продукты, могут привести к короткому замыканию.

Никогда не вскрывайте аккумуляторы или зарядные устройства и храните их только в сухих помещениях. Следите, чтобы они всегда были сухими.

Для зарядки аккумуляторов модели M18 используйте только зарядным устройством M18. Не заряжайте аккумуляторы других систем.

ИСПОЛЬЗОВАНИЕ

Полировщик может быть использован для полировки лаков, облицовки, пластика и других гладких поверхностей.

Не используйте этот продукт для любой другой цели; используйте его только по указанному целевому назначению.

ОСТАТОЧНЫЕ ОПАСНОСТИ

Даже при надлежащем использовании нельзя исключить все остаточные риски. При использовании могут возникнуть такие опасности, на которые пользователь должен обратить особое внимание:

- Травмы вследствие вибрации. Держите прибор за предусмотренные для этого рукоятки и ограничивайте время работы и экспозиции.
- Шумовое воздействие может привести к повреждению слуха. Носите защитные наушники и ограничивайте продолжительность экспозиции.
- Травмы глаз, вызванные частицами загрязнений. Всегда надевайте защитные очки, плотные длинные брюки, рукавицы и прочную обувь.
- Вдыхание ядовитой пыли.

УКАЗАНИЯ ДЛЯ ЛИТИЙ-ИОННЫХ АККУМУЛЯТОРОВ

Использование литий-ионных аккумуляторов

Перед использованием аккумулятора, которым не пользовались некоторое время, его необходимо зарядить.

Температура свыше 50°C снижает работоспособность аккумуляторов. Избегайте продолжительного нагрева или прямого солнечного света (риск перегрева). Контакты зарядного устройства и аккумуляторов должны содержаться в чистоте.

Для обеспечения оптимального срока службы аккумуляторов необходимо полностью заряжать после использования прибора. Для достижения максимально возможного срока службы аккумуляторы после зарядки следует вынимать из зарядного устройства.

При хранении аккумулятора более 30 дней: Храните аккумулятор при 27°C в сухом месте. Храните аккумулятор с зарядом примерно 30% - 50%. Каждые 6 месяцев аккумулятор следует заряжать.

Защита литий-ионных аккумуляторов от перегрузки

В случае перегрузки аккумулятора по причине слишком большого потребления электроэнергии, при экстремально большом крутящем моменте, внезапной остановке или коротком замыкании, электроприбор вибрирует в течение 5 секунд, загорается индикатор заряда аккумулятора и электроприбор автоматически выключается. ть работу.

Для повторного включения следует отжать кнопку включения и потом снова включить. При слишком высоких нагрузках аккумулятор перегревается. В этом случае загораются все лампы индикатора заряда аккумулятора. Когда аккумулятор остынет и лампы погаснут – можно продолжа

Транспортировка литий-ионных аккумуляторов

Литий-ионные аккумуляторы в соответствии с предписаниями закона транспортируются как опасные грузы.

Транспортировка этих аккумуляторов должна осуществляться с соблюдением местных, национальных и международных предписаний и положений.

Эти аккумуляторы могут перевозиться по улице потребителем без дальнейших обязательств.

При коммерческой транспортировке литий-ионных аккумуляторов экспедиторскими компаниями действуют положения, касающиеся транспортировки опасных грузов. Подготовка к отправке и транспортировка должны производиться исключительно специально обученными лицами. Весь процесс должен находиться под контролем специалиста.

При транспортировке аккумуляторов необходимо соблюдать следующие пункты:

Убедитесь, что контакты защищены и изолированы во избежание короткого замыкания.

Следите за тем, чтобы аккумуляторный блок не соскользнул внутри упаковки. Транспортировка поврежденных или протекающих аккумуляторов запрещена. За дополнительными указаниями обратитесь к своему экспедитору.

УКАЗАНИЯ ПО РАБОТЕ

Всегда используйте ручки для обеспечения необходимого контроля. Перемещайте полировальную машину вперед и назад длинными плавными движениями. Слишком сильное давление, неправильный угол или неправильное движение могут вызвать появление спиралеобразных следов или прижогов.

Подробные указания по полировке см. в инструкциях, прилагаемых к лакам, воскам и полиролям.

ВНИМАНИЕ! Для снижения риска травмирования следуйте инструкциям по предотвращению задиrow. Задиры могут вызвать обратный удар, и оператор внезапно потеряет контроль над инструментом. Всегда используйте рукоятку для сохранения контроля.

Предотвращение задиrow

Задиры происходят, когда полировальные диски зацепляются за неровные края рабочей поверхности. Задиры могут вызвать резкий обратный удар и привести к прожиганию краски. Чтобы снизить риск задиrow, при полировке шероховатых поверхностей используйте полировальную машину на низких оборотах. Не используйте полировальную машину на сложных участках, например рядом с молдингами или между зеркалом и окном автомобиля. Отполируйте эти поверхности вручную.

СТИРКА

Всегда держите охлаждающие отверстия чистыми.

ОБСЛУЖИВАНИЕ

Пользуйтесь аксессуарами и запасными частями Milwaukee. В случае возникновения необходимости в замене, которая не была описана, обращайтесь в один из сервисных центров по обслуживанию электроинструментов Milwaukee (см. список сервисных организаций).

При необходимости может быть заказан чертеж инструмента с трехмерным изображением деталей. Пожалуйста, укажите номер и тип инструмента и закажите чертеж у Ваших местных агентов или непосредственно у Techtronic Industries GmbH, Max-Eyth-Straße 10, 71364 Winnenden, Germany.

СИМВОЛЫ



Пожалуйста, внимательно прочтите инструкцию по использованию перед началом любых операций с инструментом.



ВНИМАНИЕ! ПРЕДУПРЕЖДЕНИЕ! ОПАСНОСТЬ!



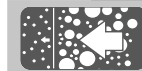
Выньте аккумулятор из машины перед проведением с ней каких-либо манипуляций.



Не применяйте силу



При работе с инструментом всегда надевайте защитные очки.



Пылевой фильтр



Принадлежности - В стандартную комплектацию не входит, поставляется в качестве дополнительной принадлежности.



Электроприборы, батареи/аккумуляторы запрещено утилизировать вместе с бытовым мусором. Электрические приборы и аккумуляторы следует собирать отдельно и сдавать в специализированную компанию для утилизации в соответствии с нормами охраны окружающей среды. Получите в местных органах власти или у вашего специализированного дилера сведения о центрах вторичной переработки и пунктах сбора.



Число оборотов без нагрузки



Напряжение



Постоянный ток



Европейский знак соответствия



Британский знак соответствия



Украинский знак соответствия



Евразийский знак соответствия

ТЕХНИЧЕСКИ ДАННИ	M18 FROP15	M18 FROP21
Тип	Полировъчна машина	Полировъчна машина
Производствен номер	4838 77 01 XXXXXX MJJJJ	4911 31 01 XXXXXX MJJJJ
Напрежение на акумулатора	18 V \approx	18 V \approx
Номинална скорост на въртене	0 - 5100 min ⁻¹	0 - 4500 min ⁻¹
Обороти на празен ход	2650 - 5100 min ⁻¹	2400 - 4500 min ⁻¹
Полираща подложка Диаметър	125 mm	150 mm
Полиращ калпак Диаметър макс.	125 mm	150 mm
Диаметър на ексцентриковия кръг	15 mm	21 mm
Тегло съгласно процедурата EPTA 01/2014 (Li-Ion 2,0 Ah ... 12,0 Ah)	2,9 ... 4,0 kg	3,0 ... 4,2 kg
Препоръчителна температура на околната среда при експлоатация	-18 ... +50 °C	
Препоръчителни акумулаторни батерии	M18B...; M18NB...	
Препоръчителни зарядни устройства	M12-18...; M1418C6	
Информация за шума: Измерените стойности са получени съобразно EN 62841. Оцененото с A ниво на шума на уреда е съответно:		
Равнище на звуковото налягане / Несигурност K	78,0 dB (A) / 3 dB (A)	77,0 dB (A) / 3 dB (A)
Равнище на мощността на звука / Несигурност K	89,0 dB (A) / 3 dB (A)	88,0 dB (A) / 3 dB (A)
Да се носи предпазно средство за слуха!		
Информация за вибрациите: Общите стойности на вибрациите (векторна сума на три посоки) са определени в съответствие с EN 62841.		
Стойност на емисии на вибрациите a _v / Несигурност K	9,7 m/s ² / 1,5 m/s ²	14,7 m/s ² / 1,5 m/s ²

⚠ ВНИМАНИЕ!

Посочените в настоящия информационен лист нива на вибрации и шумови емисии са измерени в съответствие със стандартизирано изпитване, предоставено в EN 62841, и могат да се използват за сравняване на един инструмент с друг. Те може също така да се използват и за предварителна оценка на излагането на вредни въздействия.

Декларираните нива на вибрации и шумови емисии се отнасят за основните приложения на инструмента. Ако обаче инструментът се използва за други приложения, с други приспособления или не се поддържа добре, нивата на вибрации и шумови емисии могат да са различни. Това може значително да повиши нивото на излагане на вредни въздействия за общата продължителност на работата.

При оценка на нивото на излагане на въздействието на вибрации и шум следва също така да се вземе предвид времето, през което инструментът е изключен или през което е включен, но не се използва. Това може значително да понижи нивото на излагане на вредни въздействия за общата продължителност на работата.

Определете допълнителни мерки за безопасност за защита на оператора от въздействието на вибрациите и/или шума, като например поддръжка на инструмента и приспособленията, поддръжането на топлината на ръцете и организацията на работата.

⚠ ВНИМАНИЕ! Прочетете всички указания за безопасност, инструкции, изображенията и техническите данни, които получавате с уреда. Ако не спазвате следните указания, това може да доведе до токов удар, пожар и/или тежки наранявания. **Запазете всички указания и инструкции за безопасност за бъдещето.**

ДОПЪЛНИТЕЛНИ УКАЗАНИЯ ЗА РАБОТА И БЕЗОПАСНОСТ

Не бъркайте в зоната на опасност на работещата машина.

Стружки или отчупени парчета да не се отстраняват, докато машина работи.

Веднага изключете машината, ако се появят значителни вибрации или бъдат установени други нередности. Проверете машината за да установите причината.

Обработваният детайл трябва да бъде фиксиран здраво, ако не е достатъчно тежък, за да стои стабилно от собственото си тегло.

Във вентилационните шлицы не бива да попадат метални части поради опасност от късо съединение.

ВНИМАНИЕ! За да избегнете опасността от пожар, предизвикана от късо съединение, както и нараняванията и повредите на продукта, не потапяйте инструмента, сменяемата акумулаторна батерия или зарядното устройство в течности и се погрижете в уредите и акумулаторните батерии да не попадат течности. Течностите, предизвикващи корозия или провеждащи електричество, като солена вода, определени химикали, изобелващи вещества или продукти, съдържащи изобелващи вещества, могат да предизвикат късо съединение.

Не отваряйте акумулатори и зарядни устройства и ги съхранявайте само в сухи помещения. Пазете ги от влага.

Акумулатори от системата M18 да се зареждат само със зарядни устройства от системата M18 laden. Да не се зареждат акумулатори от други системи.

ИЗПОЛЗВАНЕ ПО ПРЕДНАЗНАЧЕНИЕ

Полировъчната машина може да се използва за полиране на боядисани повърхности, покрития, пластмаси и други гладки повърхности.

Не използвайте уреда по различен от описаните в предназначението начини.

ОСТАТЪЧНИ РИСКОВЕ

Дори при правилна употреба, остатъчните рискове не могат да бъдат изключени. При използване могат да възникнат следните опасности, за които обслужващият трябва да внимава:

- Наранявания, причинени от вибрации. Дръжте уреда за предвидените за целта ръкохватки и ограничавайте времето на работа и експозиция.
- Шумовото натоварване може да причини слухови увреждания. Носете защита за слуха и ограничете продължителността на експозицията.
- Наранявания на очите, причинени от замърсяващи частици. Винаги носете предпазни очила, здрави дълги панталони, ръкавици и стабилни обувки.
- Вдишване на отровни прахове.

УКАЗАНИЯ ЗА ЛИТИЕВО-ЙОННИ АКУМУЛАТОРНИ БАТЕРИИ

Употреба на литиево-йонни акумулаторни батерии

Акумулатори, които не са ползвани по-дълго време, преди употреба да се дозаредят.

Температура над 50°C намалява мощността на акумулатора. Да се избягва по-продължително нагряване на слънце или от отопление. Поддържайте чисти присъединителните контакти на зарядното устройство и на акумулатора.

За оптимална продължителност на живот след употреба батериите трябва да се заредят напълно.

За възможно по-дълга продължителност на живот батериите трябва да се изваждат от уреда след зареждане.

При съхранение на батериите за повече от 30 дни: съхранявайте батерията при прилбл. 27°C и на сухо място. Съхранявайте батерията при 30 до 50 % от заряда. Зареждайте батерията на всеки 6 месеца.

Защита от претоварване при литиево-йонни акумулаторни батерии

При претоварване на батерията вследствие на голямо потребление на енергия, например изключително високи въртящи моменти, , внезапно спиране или късо съединение, електрическият инструмент вибрира в продължение на 5 секунди, мига индикаторът за зареждане и електрическият инструмент се изключва сам.

За да го включите повторно, освободете превключвателя и след това включете уреда. При екстремни натоварвания батерията се нагрява значително. В този случай всички светлини на индикатора за зареждане мигат дотогава, докато батерията се охлади. След изгасване на индикатора за зареждане можете да продължите работата с уреда.

Превоз на литиево-йонни батерии

Литиево-йонните батерии са предмет на законовите разпоредби за превоз на опасни товари.

Превозът на тези батерии трябва да се извършва в съответствие с местните, националните и международните разпоредби и регламенти.

Потребителите могат да превозват тези батерии по пътя без допълнителни изисквания.

Превозът на литиево-йонни батерии от транспортни компании е предмет на законовите разпоредбите за превоз на опасни товари. Подготовката на превоза и самият превоз трябва да се извършват само от обучени лица. Целият процес трябва да е под професионален надзор.

Спазвайте следните изисквания при превоз на батерии:

Уверете се, че контактите са защитени и изолирани, за да се избегне късо съединение.

Уверете се, че няма опасност от разместване на батерията в опаковката. Не превозвайте повредени батерии или такива с течове. Обърнете се към Вашата транспортна компания за допълнителни инструкции.

УКАЗАНИЯ ЗА РАБОТА

За добър контрол винаги дръжте за ръкохватките. Движете полира напред-назад с продължителни широки движения. Твърде силен натиск, неправилен ъгъл или неправилно движение може да причини образуването на кръгови следи или прогаряне.

За подробни указания за полиране вижте ръководството, предоставено заедно с гланца, въска и лака.

ВНИМАНИЕ! За да намалите риска от нараняване, следвайте указанията за предотвратяване на нащърбване. Нащърбванията могат да накарат инструмента да отскочи и операторът внезапно да изгуби контрол на инструмента. Винаги дръжте за издадената ръкохватка, за да имате контрол.

Предотвратяване на нащърбване

Нащърбването се получава, когато полиращите подложки се закачат по грубите ръбове на работната повърхност. Нащърбването може да накара инструмента внезапно да отскочи и подложката да причини прогаряне на боята. За да намалите риска от нащърбване, когато полирате груби повърхности, включете полира на ниска скорост. За по-трудни места като в близост до цокъл или между огледалото и стъклото на автомобил, не рискувайте с полира. Полирайте тези повърхности на ръка.

ПОЧИСТВАНЕ

Вентилационните шлицы на машината да се поддържат винаги чисти.

ПОДДРЪЖКА

Да се използват само аксесоари на Milwaukee и резервни части на Milwaukee. Елементи, чията подмяна не е описана, да се дадат за подмяна в сервиз на Milwaukee (вижте брошурата "Гарантия и адреси на сервиси").

При необходимост можете да поискате за уреда от Вашия сервиз или директно от Techtronic Industries GmbH, Max-Eyth-Straße 10, 71364 Winnenden, Germany, чертеж за в случай на експлозия, като посочите типа на машината и номер върху заводската табелка.

СИМВОЛИ

	Преди пускане на уреда в действие моля прочетете внимателно инструкцията за използване.
	ВНИМАНИЕ! ПРЕДУПРЕЖДЕНИЕ! ОПАСНОСТ
	Преди започване на каквито е да работи по машината извадете акумулатора.
	Не използвайте сила.
	При работа с машината винаги носете предпазни очила.
	Филтър за прах
	Акcesoари - Не се съдържат в обема на доставката, препоръчвано допълнение от програмата за акcesoари.
	Електрическите уреди, батерии/акумулаторни батерии не трябва да се изхвърлят заедно с битовите отпадъци. Електрическите уреди и акумулаторни батерии трябва да се събират отделно и да се предават на службите за рециклиране на отпадъците според изискванията за опазване на околната среда. Информирайте се при местните служби или при местните специализирани търговци относно местата за събиране и центровете за рециклиране на отпадъци.
n_0	Обороти на празен ход
V	Напрежение
	Постоянен ток
	Европейски знак за съответствие
	Британски знак за съответствие
	Украински знак за съответствие
	Евро-азиатски знак за съответствие

DATE TEHNICE	M18 FROP15	M18 FROP21
Tip	Maşina de şlefuit	Maşina de şlefuit
Număr producţie	4838 77 01 XXXXXX MJJJJ	4911 31 01 XXXXXX MJJJJ
Tensiune acumulator	18 V =	18 V =
Turaţie nominală	0 - 5100 min ⁻¹	0 - 4500 min ⁻¹
Viteza de mers în gol	2650 - 5100 min ⁻¹	2400 - 4500 min ⁻¹
Disc de polizare Diametru	125 mm	150 mm
Disc de polizare Diametru max.	125 mm	150 mm
Diametru cursa orbitală	15 mm	21 mm
Greutatea conform „EPTA procedure 01/2014” (Li-Ion 2,0 Ah ... 12,0 Ah)	2,9 ... 4,0 kg	3,0 ... 4,2 kg
Temperatură ambientală recomandată pentru funcţionare	-18 ... +50 °C	
Seturi de baterii recomandate	M18B...; M18HB...	
Încărcător de baterii recomandat	M12-18...; M1418C6	
Informaţie privind zgomotul: Valori măsurate determinate conform EN 62841.		
Nivelul de zgomot evaluat cu A al aparatului este tipic de:		
Nivelul presiunii sonore / Nesigurantă K	78,0 dB (A) / 3 dB (A)	77,0 dB (A) / 3 dB (A)
Nivelul sunetului / Nesigurantă K	89,0 dB (A) / 3 dB (A)	88,0 dB (A) / 3 dB (A)
Purtaţi căşti de protecţie		
Informaţii privind vibraţiile: Valorile totale de oscilaţie (suma vectorială pe trei direcţii determinate conform normei EN 62841.		
Valoarea emisiei de oscilaţii a _n / Nesigurantă K	9,7 m/s ² / 1,5 m/s ²	14,7 m/s ² / 1,5 m/s ²

AVERTISMENT!

Nivelul vibraţiei şi emisiei de zgomot indicat în această fişă informativă a fost măsurat în conformitate cu o metodă standard de testare specificată în EN 62841 şi se poate utiliza pentru a compara dispozitivele între ele. Acesta se poate utiliza şi într-o evaluare preliminară a expunerii.

Nivelul declarat al vibraţiei şi emisiei sonore reprezintă principalele aplicaţii ale dispozitivului. Cu toate acestea, dacă dispozitivul este utilizat pentru aplicaţii diferite, cu accesorii diferite sau întreţinute necorespunzător, emisia de vibraţii şi zgomote poate diferi. Acest lucru poate creşte semnificativ nivelul expunerii pe întreaga perioadă de lucru.

O estimare a nivelulului de expunere la vibraţii şi zgomot ar trebui să ţină cont şi de momentele în care dispozitivul este oprit sau când funcţionează, dar nu realizează de fapt nicio lucrare. Acest lucru poate reduce semnificativ nivelul expunerii pe întreaga perioadă de lucru.

Identificaţi măsuri de siguranţă suplimentare pentru a proteja operatorul de efectele vibraţiilor şi/sau zgomotului, cum ar fi: întreţinerea dispozitivului şi a accesorilor, menţinerea caldă a mâinilor, organizarea modelelor de lucru.

AVERTISMENT! Citiţi toate instrucţiunile de securitate, recomandările, reprezentările grafice şi datele pe care le primiţi livrate împreună cu aparatul. În cazul în care nu veţi respecta următoarele instrucţiuni, se poate ajunge la electrocutare, incendii şi/sau răni grave.

Păstraţi toate indicaţiile de avertizare şi instrucţiunile în vederea utilizărilor viitoare.

INSTRUCŢIUNI SUPPLEMENTARE DE SIGURANŢĂ ŞI DE LUCRU

Nu intraţi niciodată în zona de pericol a plăcii când este în mişcare. Rumegeuşul şi spanul nu trebuie îndepărtate în timpul funcţionării maşinii.

Opriti imediat maşina în caz de vibraţii puternice sau dacă apar alte defecţiuni. Verificaţi maşina pentru depistarea cauzei.

Piesa de prelucrat trebuie fixată dacă nu este suficient de grea pentru a fi stabilă.

Nu lăsaţi nici o piesă metalică să intre în fantele de aerisire - pericol de scurtcircuit.

AVERTISMENT! Pentru a reduce pericolul unui incendiu şi evitarea rănilor sau deteriorarea produsului în urma unui scurtcircuit nu imersaţi scula, acumulatorul de schimb sau încărcătorul în lichide şi asiguraţi-vă să nu pătrundă lichide în aparate şi acumulatori. Lichidele corosive sau cu conductibilitate, precum apa sărată, anumite substanţe chimice şi înălbitori sau produse ce conţin înălbitori, pot provoca un scurtcircuit.

Nu deschideţi niciodată acumulatorii şi încărcătoarele şi pastraţi-le numai în încăperi uscate. Pastraţi-le întotdeauna uscate.

Folosiţi numai încărcătoare System M18 pentru încărcarea acumulatorilor System M18. Nu folosiţi acumulatori din alte sisteme.

CONDIŢII DE UTILIZARE SPECIFICATE

Maşina de lustruit poate fi utilizată pentru lustruirea lacurilor, acoperirilor, materialelor plastice şi altor suprafeţe netede.

Nu utilizaţi produsul în niciun alt mod decât cel specificat în utilizare prevăzută.

RISCURI REZIDUALE

Excluderea tuturor pericolelor reziduale nu este posibilă chiar şi în condiţii de utilizare corectă a maşinii. În timpul utilizării pot apărea următoarele pericole, de care utilizatorul ar trebui să ţină seama:

- Accidentări provocate de vibraţii. Țineți aparatul de mânerele prevăzute în acest scop și reduceți timpul de lucru și de expunere.
- Poluarea fonică poate duce la vătămarea auzului. Purtați căști antifonice și reduceți durata expunerii.
- Afecțiuni oculare cauzate de particulele de impurități. Purtați întotdeauna ochelari de protecție, pantaloni lungi rezistenți, mănuși și încălțăminte robustă.
- Inhalare de pulberi toxice.

INDICAȚII PENTRU ACUMULATORII LI-ION

Utilizarea acumulatorilor Li-ion

Acumulatorii care nu au fost utilizați o perioadă de timp trebuie reîncărcați înainte de utilizare

Temperatura mai mare de 50°C (122°F) reduce performanța acumulatorului. Evitați expunerea prelungită la căldură sau radiație solară (risic de supraîncălzire)
Contactele încărcătoarelor și acumulatorilor trebuie păstrate curate.

În scopul optimizării duratei de funcționare, bateriile trebuie reîncărcate complet după utilizare.
Pentru o durată de viață cât mai lungă, acumulatorii ar trebui scoși din încărcător după încărcare.

La depozitarea акумулаторите по-малку од 30 дена:
Акумулаторите се депозитаат кај о. 27°C и на топло место.
Акумулаторите се депозитаат на ниво на полнење од батериите од 30%-50%.

Акумулаторите се полнат од новата батерија 6 дена.

Заштита на надворешната на акумулаторите Li-Ion

Во случај на надворешна батерија на акумулаторите датирање на консумирање на електрична енергија, на пример, датирање на моментите на трајно екстремно висока, на пример, отворени батерији или на краток замыкание, акумулаторите се депозитаат на ниво на полнење од батериите од 30%-50%.

За да се врати батериите на работно ниво, батериите треба да се полнат на ниво на полнење од батериите од 30%-50%. Во случај на батерија на акумулаторите датирање на консумирање на електрична енергија, на пример, датирање на моментите на трајно екстремно висока, на пример, отворени батерији или на краток замыкание, акумулаторите се депозитаат на ниво на полнење од батериите од 30%-50%.

Транспортот на акумулаторите со иони на литиум

Акумулаторите со иони на литиум кад под инцидентот на предписаниите легални за транспортот на опасни материјали.

Транспортот на акумулаторите треба да се извршува со почитување на законските прописи на национално и меѓународно ниво.

Консументите не смеат да користат транспортот на акумулаторите на начин на кој не е предвидено.

Транспортот на акумулаторите со иони на литиум преку посредници на експедиции и транспортот се подготвуваат со почитување на законските прописи на национално и меѓународно ниво. Препорачливо е да се користат транспортни средства со лиценцирани возачи и да се користат транспортни средства со лиценцирани возачи.

Следещите точки треба да се вклучат во транспортот на акумулаторите:

За да се избегне краток замыкание, батериите треба да се заштитени со одговарачки материјал.

Батериите треба да се постават на начин на кој не е предвидено. Батериите треба да се постават на начин на кој не е предвидено. Батериите треба да се постават на начин на кој не е предвидено.

ИДИКАЦИИ НА РАБОТА

Користете ги инструкциите за употреба на батериите за да се избегне повреда на батериите.

За да се избегне повреда на батериите, батериите треба да се постават на начин на кој не е предвидено.

ВАЖНО! За да се избегне повреда на батериите, батериите треба да се постават на начин на кој не е предвидено.

Предупредување на повреда на батериите

Користете ги инструкциите за употреба на батериите за да се избегне повреда на батериите.

ОДРЖУВАЊЕ

Користете ги инструкциите за употреба на батериите за да се избегне повреда на батериите.

ОДРЖУВАЊЕ

Користете ги инструкциите за употреба на батериите за да се избегне повреда на батериите.

Користете ги инструкциите за употреба на батериите за да се избегне повреда на батериите.

СИМБОЛИ

	Va rugam cititi cu atentie instructiunile inainte de pornirea masinii
	PERICOL! AVERTIZARE! ATENȚIE!
	Îndepărtați acumulatorul înainte de începerea lucrului pe mașina
	A nu se aplica forța.
	Purtați întotdeauna ochelari de protecție când utilizați mașina.
	Filtrul de praf
	Accesorii - Nu este inclus în echipamentul standard, disponibil ca accesoriu
	Aparatele electrice, bateriile/acumulatorii nu se elimină împreună cu deșeurile menajere. Aparatele electrice și acumulatorii se colectează separat și se predau la un centru de reciclare, în vederea eliminării ecologice. Informați-vă de la autoritățile locale sau de la comercianții acreditați în legătură cu centrele de reciclare și de colectare.
n_0	Viteza de mers în gol
V	Tensiune
	Curent continuu
	Marcă de conformitate europeană
	Marcă de conformitate britanică
	Marcă de conformitate ucraineană
	Marcă de conformitate eurasiatică

ТЕХНИЧКИ ПОДАТОЦИ

	M18 FROP15	M18 FROP21
Тип на дизајн	Полирач	Полирач
Производен број	4838 77 01 XXXXXX MJJJ	4911 31 01 XXXXXX MJJJ
Волтажа на батеријата	18 V ==	18 V ==
Номинална брзина	0 - 5100 min ⁻¹	0 - 4500 min ⁻¹
Брзина без оптоварување	2650 - 5100 min ⁻¹	2400 - 4500 min ⁻¹
Тањир за полирање Пречник	125 mm	150 mm
Пад за полирање Пречник макс.	125 mm	150 mm
Дијаметар на патеката на лежиштето	15 mm	21 mm
Тежина според ЕПТА-процедурата 01/2014 (Li-Ion 2,0 Ah ... 12,0 Ah)	2,9 ... 4,0 kg	3,0 ... 4,2 kg
Препорачана температура на околината за работа	-18 ... +50 °C	
Препорачани комплекти акумулаторски батерии	M18B...; M18HB...	
Препорачани полначи	M12-18...; M1418C6	
Информации за бучавата: Измерените вредности се одредени согласно стандардот EN 62841.		
A-оценетото ниво на бучава на апаратот типично изнесува:		
Ниво на звучен притисок / Несигурност K	78,0 dB (A) / 3 dB (A)	77,0 dB (A) / 3 dB (A)
Ниво на јачина на звук / Несигурност K	89,0 dB (A) / 3 dB (A)	88,0 dB (A) / 3 dB (A)
Носте штитник за уши.		
Информации за вибрации: Вкупни вибрациски вредности (векторски збир на трите насоки) пресметани согласно EN 62841.		
Вибрациска емисиона вредност a _n / Несигурност K	9,7 m/s ² / 1,5 m/s ²	14,7 m/s ² / 1,5 m/s ²

ПРЕДУПРЕДУВАЊЕ!

Нивото на вибрации и емисија на бучава дадени во овој информативен лист се измерени во согласност со стандардизиран метод на тестирање даден во EN 62841 и може да се користат за споредување на еден електричен алат со друг. Тие исто така може да се користат при првична проценка на изложеност.

Наведеното ниво на вибрации и емисија на бучава ја претставува главната примена на алатот. Сепак ако алатот се користи за поинакви примени, со поинаков прибор или лошо се одржува, вибрациите и емисијата на бучава може да се разликуваат. Тоа може значително да го зголеми нивото на изложеност преку целиот работен период.

Проценка на нивото на изложеност на вибрации и бучава треба исто така да се земе предвид кога е исклучен алатот или кога е вклучен, но не врши никаква работа. Тоа може значително да го намали нивото на изложеност преку целиот работен период.

Увредите дополнителни безбедносни мерки за да се заштити операторот од ефектите на вибрациите и/или бучавата како на пр.: одржувајте го алатот и приборот, рацете нека ви бидат топли, организација на работните шеми.

ПРЕДУПРЕДУВАЊЕ! Прочитајте ги сите безбедносни напомени, упатства, цртежи и податоци, коишто ги добивате заедно со уредот.

Доколку не ги почитувате следните упатства, може да дојде до електричен удар, до пожар и/или до тешки повреди.

Сочувајте ги сите безбедносни упатства и инструкции за во иднина.

ОСТАНАТИ БЕЗБЕДНОСНИ И РАБОТНИ УПАТСТВА

Никога не посегнувајте во зоната на опасната работна површина при вклучена машина.

Прашината и струготините не смеат да се одстрануваат додека е машината работи.

Во случај на значителни вибрации или појава на други неправилности веднаш исклучете ја машината со цел да ја најдете причината за нив.

Работни предмети кои што се обработуваат мора да бидат цврсто стегнати доколку не се држи со самата своја тежина.

Не дозволувајте какви и да се метални делови да дојдат до отворите за вентилација-ризик од куршлус!

ПРЕДУПРЕДУВАЊЕ! За да избегнете опасноста од пожар, од наранувања или од оштетување на производот, коишто ги создава краток спој, не ја потопувајте во течност алатката, заменливата батерија или полначот и пазете во уредите и во батериите да не проникнуваат течности. Корозивни или електроспроводносни течности, како солена вода, одредени хемикалии, избелувачки препарати или производи кои содржат избелувачки супстанции, можат да предизвикаат краток спој.

Не ги отворајте насилно батериите и полначите, и чувајте ги само на суво место. Чувајте ги постојано суви.

Користете исклучиво Систем M18 за полнење на батерии од M18 систем. Не користете батерии од друг систем.

СПЕЦИФИЦИРАНИ УСЛОВИ НА УПОТРЕБА

Полирачката може да биде употребена за полирање лакирани, заштитени, пластични и други мазни површини.

Не користете го производот на друг начин освен на начините за кои е наменет.

ОСТАТОЧНИ ОПАСНОСТИ

Дури и при уредна употреба на машината, не може да се исклучат сите преостанати ризици. При употребата може да настанат следните опасности, на кои операторот треба особено да внимава:

- Повреди предизвикани како последица на вибрации. Држете ја алатката за раките предвидени за тоа и ограничете го времето на работа и експозиција.
- Изложеноста на бучава може да доведе до оштетување на слухот. Носете заштита за уши и ограничете го траењето на експозицијата.
- Честичките нечистотија може да предизвикаат повреди на очите. Секогаш носете заштитни очила, долги пантолони, ракавици и цврсти чевли.
- Вдишување токсични прашина.

УПАТСТВА ЗА ЛИТИУМ-ЈОНСКИ БАТЕРИИ

Употреба на литиум-јонски батерии

Батериите кои не биле користени подолго време треба да се наполнат пред употреба.

Температура повисока од 50°C (122°F) го намалуваат траењето на батериите. Избегнувајте подолго изложување на батериите на високи температури или сонце (ризик од прегревање). Клемите на полначот и батериите мора да бидат чисти.

За оптимален работен век батериите мора да се наполнат целосно по употреба.

За можно подолг век на траење, апаратите после нивното полнење треба да бидат извадени од апаратот за полнење на батериите.

Во случај на складирање на батеријата подолго од 30 дена: Акумулаторот да се чува на температура од приближно 27°C и на суво место.

Акумулаторот да се складира на приближно 30%-50% од состојбата на наполнетост.

Акумулаторот повторно да се наполни на секои 6 месеци.

Заштита од преоптоварување на батеријата за литиум-јонски батерии

При преоптеретување на батеријата како резултат на мошне висока потрошувачка на струја, на пример екстремно високи вртежни моменти, ненадејно стопирање или краток спој, електро-алатот вибрира 5 секунди, приказот за полнење трепка и електро-алатот самостојно се исклучува.

За повторно вклучување ослободете го притискачот на прекинувачот, а потоа повторно вклучете. Во случај на екстремни оптоварувања батеријата се загрева премногу. Во таков случај трепкаат сите ламбички од приказот за полнење сè додека батеријата не се излади. По гаснење на приказот за полнење може да се продолжи со работа.

Транспорт на литиум-јонски батерии

Литиум-јонските батерии подлежат на законските одредби за транспорт на опасни материи.

Транспортот на овие батерии мора да се врши согласно локалните, националните и меѓународните прописи и одредби.

Потрошувачите на овие батерии може да вршат непречен патен транспорт на истите.

Комерцијалниот транспорт на литиум-јонски батерии од страна на шпедитерски претпријатија подлежни на одредбите за транспорт на опасни материи. Подготовките за шпедиција и транспорт треба да ги вршат исклучиво соодветно обучени лица. Целокупниот процес треба да биде стручно надгледуван.

При транспортот на батерии треба да се внимава на следното:

Осигурајте се дека контактите се заштитени и изолирани, а сето тоа со цел да се избегнат кратки споеви.

Внимавајте да не дојде до измествување на батериите во нивната амбалажа. Забранет е транспорт на оштетени или протечени литиум-јонски батерии. За понатамошни инструкции обратете се до Вашето шпедитерско претпријатие.

РАБОТНИ УПАТСТВА

Секогаш користете ги рачките за соодветна контрола. Движете го уредот за полирање напред-назад во долги, замавнувачки движења. Преголем притисок, погрешен агол и неправилно движење може да предизвикаат траги во вид на вртлози или изгореници.

За детални инструкции за полирање, прочитајте ги инструкциите доставени со политурите, восоците и глазуриите.

ПРЕДУПРЕДУВАЊЕ! За да го намалите ризикот од повреда, следете ги инструкциите за спречување на кинење. Кинењето може да предизвика алатот да удри назазад и операторот наеднаш да ја изгуби контролата на алатот. Секогаш користете балчак рачка за да ја одржите контролата.

Спречување на кинење

Кинење настанува кога подлошката за полирање ќе се фати на груби работи од работна површина. Кинењето може да доведе до тоа алатот наеднаш да „удри назазад“ и може да предизвика подлошката да ја прегори бојата. За да се намали ризикот од кинење, користете го уредот за полирање на мали брзини кога полирате груби површини. За чувствителни места, како на пример близу декорации или меѓу огледало и прозорец на автомобил, не пробувајте со уред за полирање. Овие површини полирајте ги рачно.

ЧИШЕЊА

Вентилациските отвори на машината мора да бидат комплетно отворени постојано.

ОДРЖУВАЊЕ

Користете само Milwaukee додатоци и резервни делови. Доколку некои од компонентите кои не се опишани треба да бидат заменети, Ве молиме контактирајте ги сервисните агенти на Milwaukee (консултирајте ја листата на адреси).

Доколку е потребно можно е да биде набавен детален приказ на алатот. Ве молиме наведете го бројот на артиклот како и типот на машина кој е отпечатен на етикетата и порачајте ја скицата кај локалниот застапник или директно кај: Techtronic Industries GmbH, Max-Eyth-Straße 10, 71364 Winnenden, Germany.

СИМБОЛИ



Ве молиме пред да ја стартувате машината обрнете внимание на упатствата за употреба.



ВНИМАНИЕ! ПРЕДУПРЕДУВАЊЕ! ОПАСНОСТ!



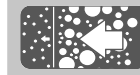
Извадете го батерискиот склоп пред отпочнување на каков и да е зафат врз машината.



Не употребувајте сила.



Секогаш при користење на машината носете ракавици.



Филтер за прав



Дополнителна опрема - Не е вклучена во стандардната, а достапна е како додаток.



Електричните апарати и батериите што се полнат не смеат да се фрлат заедно со домашниот отпад. Електричните апарати и батериите треба да се собираат одделно и да се однесат во соодветниот погон заради нивно фрлање во склад со начелата за заштита на околината. Информирајте се кај Вашите местни служби или кај специјализираниот трговски претставник, каде има такви погони за рециклажа и собирни станици.

n_0

Брзина без оптоварување

V

Напон



Истосмерна струја



Европска ознака за сообразност



Британска ознака за сообразност



Украинска ознака за сообразност

001



Евроазиска ознака за сообразност

ТЕХНІЧНІ ХАРАКТЕРИСТИКИ	M18 FROP15	M18 FROP21
Тип конструкції	Полірувальна машина	Полірувальна машина
Номер виробу	4838 77 01 XXXXXX MJJJJ	4911 31 01 XXXXXX MJJJJ
Напряга знімної акумуляторної батареї	18 V \approx	18 V \approx
Номинальна кількість обертів	0 - 5100 min ⁻¹	0 - 4500 min ⁻¹
Кількість обертів холостого ходу	2650 - 5100 min ⁻¹	2400 - 4500 min ⁻¹
Полірувальний тарілчастий круг Діаметр	125 mm	150 mm
Полірувальний круг Діаметр макс.	125 mm	150 mm
Ø вібродиска	15 mm	21 mm
Вага згідно з процедурою EPTA 01/2014 (Li-Ion 2,0 Ah ... 12,0 Ah)	2,9 ... 4,0 kg	3,0 ... 4,2 kg
Температура навколишнього середовища, рекомендована для експлуатації	-18 ... +50 °C	
Рекомендовані акумулятори	M18B...; M18HB...	
Рекомендовані зарядні пристрої	M12-18...; M1418C6	
Інформація про шум: Виміряні значення визначені згідно з EN 62841.		
Рівень шуму "А" приладу становить в типовому випадку:		
Рівень звукового тиску / похибка К =	78,0 dB (A) / 3 dB (A)	77,0 dB (A) / 3 dB (A)
Рівень звукової потужності / похибка К =	89,0 dB (A) / 3 dB (A)	88,0 dB (A) / 3 dB (A)
Використовувати засоби захисту органів слуху!		
Інформація щодо вібрації: Сумарні значення вібрації (векторна сума трьох напрямків), встановлені згідно з EN 62841.		
Значення вібрації a _h / похибка К =	9,7 m/s ² / 1,5 m/s ²	14,7 m/s ² / 1,5 m/s ²

⚠ ПОПЕРЕДЖЕННЯ!

Заявлені значення шумового випромінювання, вказані в цьому інформаційному аркуші, було виміряно відповідно до стандартизованого випробування згідно з EN 62841 та можуть використовуватися для порівняння одного інструмента з іншим. Вони також можуть використовуватися для попередньої оцінки рівня впливу на організм.

Вказані значення вібрації та шумового випромінювання дійсні для основних областей застосування інструмента. Якщо інструмент використовується в інших областях застосування чи з іншим приладдям або не проходить належне обслуговування, значення вібрації та шумового випромінювання можуть відрізнятись. Це може суттєво збільшити рівень впливу на організм протягом загального періоду роботи.

Під час оцінки рівня впливу вібрації та шумового випромінювання на організм також необхідно враховувати періоди, коли інструмент вимкнено, чи коли він працює, але фактично не використовується для виконання роботи. Це може суттєво знизити рівень впливу на організм протягом загального періоду роботи.

Визначте додаткові заходи для захисту оператора від впливу вібрації та/або шуму, наприклад, обслуговування інструмента та його приладдя, зберігання рук у теплі, організація графіків роботи.

⚠ ПОПЕРЕДЖЕННЯ! Ознайомтеся з усіма вказівками щодо техніки безпеки, інструкціями, ілюстраціями та відомостями, що було надано разом із приладом. Недотримання наведених далі інструкцій може спричинити ураження електричним струмом, пожежу та/або тяжкі травми.

Зберігайте всі вказівки з техніки безпеки та інструкції на майбутнє.

ДОДАТКОВІ ІНСТРУКЦІЇ З ТЕХНІКИ БЕЗПЕКИ ТА ЕКСПЛУАТАЦІЇ

Частина тіла не повинні потрапляти в небезпечну область машини, коли вона працює.

Не можна видаляти стружку або уламки, коли машина працює.

Негайно вимкнути прилад, якщо виникає помітна вібрація або інші небажані явища. Перевірте машину, щоб встановити причину.

Оброблювану заготовку необхідно міцно закріпити, якщо вона не тримається завдяки власній вазі.

В зв'язку з небезпечною короткою замикання в вентиляційні отвори не повинні потрапляти металеві предмети.

ПОПЕРЕДЖЕННЯ! Для запобігання небезпеці пожежі в результаті короткого замикання, травмам і пошкодженню виробів не занурюйте інструмент, змінний акумулятор або зарядний пристрій у рідину і не допускайте потрапляння рідини всередину пристроїв або акумуляторів. Корозійні і струмопровідні рідини, такі як солоний розчин, певні хімікати, вибілювальні засоби або продукти, що їх містять, можуть призвести до короткого замикання.

Не відкривати знімні акумуляторні батареї і зарядні пристрої та зберігати їх лише в сухих приміщеннях. Беретти від вологи.

Знімні акумуляторні батареї системи M18 заряджати лише зарядними пристроями системи M18. Не заряджати акумуляторні батареї інших систем.

ВИКОРИСТАННЯ ЗА ПРИЗНАЧЕННЯМ

Полірувальна машина може використовуватися для полірування лаків, покриттів, полімерних матеріалів та інших гладких поверхонь.

Не використовуйте цей продукт для будь-якої іншої мети; використовуйте його лише згідно зі вказаним цільовим призначенням.

ЗАЛИШКОВІ НЕБЕЗПЕКИ

Навіть при належному використанні не можна виключити всі залишкові ризики. При використанні можуть виникнути такі небезпеки, на які користувач повинен звернути особливу увагу:

- Травми внаслідок вібрації. Тримайте прилад за передбачені для цього руків'я і обмежуйте час роботи та експозиції.
- Шумовий вплив може погіршити слух. Носіть захисні навушники і обмежуйте тривалість експозиції.
- Травми очей, викликані частинками забруднень. Завжди надягайте захисні окуляри, щільні довгі штани, рукавиці і міцне взуття.
- Вдихання отруйного пилу.

ВКАЗІВКИ ЩОДО ЛІТІЙ-ІОННИХ АКУМУЛЯТОРІВ

Застосування літій-іонних акумуляторів

Знімну акумуляторну батарею, що не використовувалася тривалий час, перед використанням необхідно підзарядити.

Температура понад 50 °C зменшує потужність знімної акумуляторної батареї. Уникати тривалого нагрівання сонячними променями або системою обігріву. З'єднувальні контакти зарядного пристрою та знімної акумуляторної батареї повинні бути чистими.

Для забезпечення оптимального струку експлуатації акумуляторні батареї після використання необхідно повністю зарядити.

Для забезпечення максимально можливого терміну експлуатації акумуляторні батареї після зарядки необхідно виймати з зарядного пристрою.

При зберіганні акумуляторної батареї понад 30 днів: Зберігати акумуляторну батарею при температурі приблизно 27 °C в сухому місці.

Зберігати акумуляторну батарею в стані зарядки приблизно 30-50 %.

Кожні 6 місяців знову заряджати акумуляторну батарею.

Захист від перевантаження літій-іонних акумуляторів

У випадку перевантаження акумуляторної батареї внаслідок дуже високого споживання струму, наприклад, надмірно високого крутильного моменту, раптової зупинки або короткого замикання, електроінструмент вібує 5 секунд, індикатор заряду блимає, електроінструмент самостійно вимикається.

Для повторного увімкнення відпустити кнопку вимикача і знов увімкнути. При надмірних навантаженнях акумуляторна батарея сильно перегрівається. В цьому випадку всі лампочки індикатора заряду блимають, доки акумуляторна батарея не охолоне. Можна продовжити роботу після того, як індикатор заряду згасне.

Транспортування літій-іонних акумуляторних батарей

Літій-іонні акумуляторні батареї підпадають під заборону про перевезення небезпечних вантажів.

Транспортування таких акумуляторних батарей повинно відбуватися із дотриманням місцевих, національних та міжнародних приписів та положень.

споживачі можуть без проблем транспортувати ці акумуляторні батареї по вулиці.

Комерційне транспортування літій-іонних акумуляторних батарей експедиторськими компаніями підпадає під положення про транспортування небезпечних вантажів. Підготовку до відправлення та транспортування можуть здійснювати виключно особи, які пройшли відповідне навчання. Весь процес повинні контролювати кваліфіковані фахівці.

При транспортуванні акумуляторних батарей необхідно дотримуватись зазначених далі пунктів:

Переконайтеся в тому, що контакти захищені та ізольовані, щоб запобігти короткому замиканню.

Слідкуйте за тим, щоб акумуляторна батарея не переміщувалася всередині упаковки. Пошкоджені акумуляторні батареї, або акумуляторні батареї, що потекли, не можна транспортувати. Для отримання подальших вказівок звертайтеся до своєї експедиторської компанії.

ВКАЗІВКИ ЩОДО ЕКСПЛУАТАЦІЇ

Завжди використовуйте ручки для належного управління. Переміщуйте полірувальну машину вперед і назад довгими плавними рухами. Занадто сильний тиск, неправильний кут або неправильний рух можуть спричинити завихрення або опіки.

Для отримання детальних інструкцій щодо полірування див. інструкції, що додаються до лаків, восків і поліролей.

ПОПЕРЕДЖЕННЯ! Для зниження ризику поранення дотримуйтесь інструкцій щодо запобігання задири. Задири можуть спричинити зворотний удар, і оператор раптово втратить контроль над інструментом. Завжди використовуйте рукоятку для збереження контролю.

Запобігання задири

Задири виникають тоді, коли полірувальні диски зачіпляються за нерівні краї робочої поверхні. Задири можуть спричинити різкий зворотний удар і призвести до пропалювання фарби. Щоб знизити ризик задири, під час полірування шорстких поверхонь використовуйте полірувальну машину на низьких оборотах. Не використовуйте полірувальну машину на складних ділянках, наприклад поруч з обшивкою салону або між дзеркалом і вікном автомобіля. Відполіруйте ці поверхні вручну.

ЧИСТКА

Завжди підтримувати чистоту вентиляційних отворів.

ОБСЛУГОВУВАННЯ

Використовувати тільки комплектуючі та запчастини Milwaukee. Деталі, заміна яких не описується, замінювати тільки в відділі обслуговування клієнтів Milwaukee (зверніть увагу на брошуру "Гарантія / адреси сервісних центрів").

У разі необхідності можна запросити креслення з зображенням вузлів машини в перспективному вигляді, для цього потрібно звернутися в ваш відділ обслуговування клієнтів або безпосередньо в Techtronic Industries GmbH, Max-Eyth-Strasse 10, 71364 Winnenden, Німеччина, та вказати тип машини та шестизначний номер на фірмовій таблиці з даними машини.

	Уважно прочитайте інструкцію з експлуатації перед введенням приладу в дію.
	УВАГА! ПОПЕРЕДЖЕННЯ! НЕБЕЗПЕЧНО!
	Перед будь-якими роботами на приладі вийняти змінну акумуляторну батарею.
	Не застосовувати силу.
	Під час роботи з машиною завжди носити захисні окуляри.
	Пиловий фільтр
	Комплектуючі - не входять в обсяг постачання, рекомендовані доповнення з програми комплектуючих.
	Електроприлади, батареї/акумулятори заборонено утилізувати разом з побутовим сміттям. Електричні прилади і акумулятори слід збирати окремо і здавати в спеціалізовану компанію для утилізації відповідно до норм охорони довкілля. Зверніться до місцевих органів або до вашого дилера, щоб отримати адреси пунктів вторинної переробки та пунктів прийому.
n_0	Кількість обертів холостого ходу
v	Напруга
	Постійний струм
	Європейський знак відповідності
	Британський знак відповідності
	Український знак відповідності
	Євразійський знак відповідності

الرموز

	يرجى قراءة التعليمات بعناية قبل بدء تشغيل الجهاز.
	تنبيه! تحذير! خطر!
	انزع البطارية قبل التعامل مع الجهاز.
	لا تستخدم القوة
	ارتد دائماً نظارات الوقاية عند استخدام الجهاز.
	مرشح الأتربة
	الملحق - ليس مدرجاً كعمدة قياسية، متوفر كملحق.
	يحظر التخلص من الأجهزة الكهربائية والبطاريات/البطاريات القابلة للشحن في القمامة المنزلية. يجب جمع الأجهزة الكهربائية والبطاريات القابلة للشحن منفصلة وتسليمها للتخلص منها بشكل لا يضر بالبيئة لدى شركة إعادة استغلال. الرجاء الاستفسار لدى الهيئات المحلية أو لدى التجار المتخصصين عن مواقع إعادة الاستغلال ومواقع الجمع.
n_0	أقصى سرعة دون وجود حمل
v	الجهد الكهربائي
	التيار المستمر
	علامة التوافق الأوروبية
	علامة التوافق البريطانية
	علامة التوافق الأوكرانية
	علامة التوافق الأوروبية الآسيوية

نقل بطاريات الليثيوم

تخضع بطاريات الليثيوم أيون لشروط قوانين نقل السلع الخطرة. ويجب نقل هذه البطاريات وفقاً للأحكام والقوانين المحلية والوطنية والدولية. يمكن للمستخدم نقل البطاريات براً دون الخضوع لشروط أخرى. يخضع النقل التجاري لبطاريات الليثيوم أيون عن طريق الغير إلى قوانين نقل السلع الخطرة. يتعين أن يقوم أفراد مدربيون جيداً بالإعداد لعملية النقل والقيام بها بصحبة خبراء مثلهم. متى تُنقل البطاريات:

عند التأكد من حماية أطراف توصيل البطارية وعزلها تجنباً لحدوث قصر بالدائرة. عند التأكد من حماية حزمة البطارية من الحركة داخل صندوق التعبئة. يُرجى عدم نقل البطاريات التي بها تشققات أو تسربات. يُرجى البحث مع شركة الشحن عن نصيحة أخرى

نصائح العمل

استخدم دائماً المقابض للتحكم السليم. حرك أداة الصقل للخلف والأمام في أنشواط مسح طولية. الضغط الشديد للغاية أو الزاوية الخاطئة أو الحركة غير الصحيحة قد تتسبب في حدوث علامات دوامية أو احتراق.

لمعرفة تعليمات الصقل التفصيلية، يُرجى قراءة التعليمات الواردة مع مواد التشطيب والشموع، ومواد الصقل.

تحذير! لتقليل خطر التعرض للإصابات، يُرجى اتباع التعليمات لمنع التمزق. قد يؤدي التمزق إلى ارتداد الأداة، وفقدان المشغل للسيطرة على الأداة بشكل مفاجئ. استخدم دائماً المقابض الحلقية للحفاظ على السيطرة.

منع التمزق

يحدث التمزق عندما تعلق وسادات الصقل بالحواف الخشنة لسطح العمل. وقد يؤدي التمزق إلى "ارتداد" الأداة بشكل مفاجئ، وقد يؤدي إلى احتراق الوسادة عن طريق الطلاء. لتقليل خطر التمزق، استخدم أداة الصقل بسرعات منخفضة عند صقل الأسطح الخشنة. مع المناطق الصعبة مثل المناطق الموجودة بالقرب من الأجزاء الزخرفية أو بين المرآة والنافذة في السيارة، لا تغامر باستخدام أداة الصقل، ولكن قم بصقل هذه الأسطح يدوياً.

التنظيف

يجب أن تكون فتحات تهوية الجهاز نظيفة طوال الوقت.

الصيانة

استخدم فقط ملحقات ميلوكي وكذلك قطع غيار ميلوكي. إذا كانت المكونات التي يجب تغييرها غير مذكورة، يرجى الاتصال بأحد عملاء صيانة ميلوكي (انظر قائمة عناوين الضمان/الصيانة الخاصة بنا).

عند الحاجة يمكن طلب رمز انفجار الجهاز بعد ذكر طراز الآلة والرقم السداسي المذكور على بطاقة طاقة الآلة لدى جهة خدمة العملاء أو مباشرة لدى شركة

Technion Industries GmbH
Max-Eyth-Straße 10
Winnenden 71364
ألمانيا

البيانات الفنية	
M18 FROP21	M18 FROP15
عملتُ	عملتُ
4911 31 01 XXXXXX MJJJJ	4838 77 01 XXXXXX MJJJJ
18 V =	18 V =
0 - 4500 min ⁻¹	0 - 5100 min ⁻¹
2400 - 4500 min ⁻¹	2650 - 5100 min ⁻¹
150 mm	125 mm
150 mm	125 mm
21 mm	15 mm
3,0 ... 4,2 kg	2,9 ... 4,0 kg
-18 ... +50 °C	الوزن وفقا لنهج EPTA رقم 01/2014 (Li-Ion 2,0 Ah ... 12,0 Ah)
M18B...; M18HB...	درجة حرارة البيئة المحيطة المنصوح بها من أجل التشغيل
M12-18...; M1418C6	البطاريات المنصوح بها
	جهاز الشحن المنصوح به
	معلومات الضوضاء: القيم التي تم قياسها محددة وفقا للمعايير الأوروبية EN 62841
77,0 dB (A) / 3 dB (A)	مستويات ضوضاء الجهاز، ترجيحاً بشكل نموذجي كالتالي:
88,0 dB (A) / 3 dB (A)	مستوى ضغط الصوت / الارتياح في القياس
	مستوى شدة الصوت / الارتياح في القياس
	ارتد وإقيات الأذن!
	معلومات الاهتزاز: قيم الذبذبات الإجمالي (مجموع الكميات الموجهة في المحاور الثلاثة) محددة وفقا للمعايير الأوروبية EN 62841.
14,7 m/s ² / 1,5 m/s ²	قيمة انبعاث الذبذبات a _h / الارتياح في القياس

تحذير!

تم قياس مستوى الاهتزاز وانبعاث الضوضاء الوارد في ورقة المعلومات هذه، وفقاً لاختبار قياسي محدد في المواصفة EN 62841، ويمكن استخدامه لمقارنة آلة مع أخرى. كما يمكن استخدام ذلك أيضاً في إجراء تقييم أولي للتعرض.

يمثل مستوى الاهتزاز وانبعاث الضوضاء المعلن عنه الاستخدامات الأساسية للآلة. ومع ذلك، إذا استُعملت الآلة في استخدامات مختلفة، أو بملحقات مختلفة، أو تم صيانتها على نحو سيئ، فقد يختلف مستوى الاهتزاز وانبعاث الضوضاء. وهذا قد يزيد -إلى حد كبير- من مستوى التعرض خلال مدة العمل الإجمالية.

عند تقييم مستوى التعرض للاهتزاز والضوضاء، ينبغي أيضاً أن يوضع في الاعتبار فترات إطفاء الآلة أو تشغيلها دون أن تقوم بأي وظيفة فعلياً. فهذا قد يقلل -إلى حد كبير- من مستوى التعرض خلال مدة العمل الإجمالية.

تعرف على تدابير السلامة الإضافية؛ لحماية المشغل من تأثيرات الاهتزاز أو الضوضاء أو كليهما، مثل: صيانة الآلة وملحقاتها، والحفاظ على دفة اليد، وتنظيم نماذج العمل.

تحذير!

اقرأ جميع تعليمات السلامة والإرشادات والشروح والبيانات المرفقة مع الجهاز. قد يؤدي عدم مراعاة التعليمات المدرجة أدناه إلى التعرض للإصابة بصدمة كهربية أو الحرق و/أو إصابة خطيرة.

احتفظ بجميع التنبيهات والتعليمات للرجوع إليها مستقبلاً.

إرشادات أمان وعمل إضافية

لا تصل أبداً إلى منطقة الخطر للآلة عندما تكون قيد التشغيل.

لا يجب إزالة النشارة والشظايا أثناء تشغيل الآلة.

قم بإيقاف تشغيل الماكينة مباشرة في حالة حدوث اهتزازات شديدة أو غير ذلك من أعطال التشغيل. افحص الماكينة للتعرف على السبب.

قطعة التصنيع التي يجب معالجتها يجب أن تكون مثبتة، طالما أنها لن تكون ثابتة من خلال وزنها.

لا تدع أي جزء معدنية تلمس فتحات التهوية - خطر قصر الدائرة!

تحذير! تحذير! لتجنب أخطار الحرق أو الإصابة أو الإضرار بالمنتج التي تنجم عن الماس الكهربائي، لا تعمر الأداة أو البطارية القابلة للاستبدال أو جهاز الشحن في السوائل وأحرص على أن لا تصل السوائل إلى داخل الجهاز والبطارية. السوائل المؤدية للتآكل أو الموصلية للكهرباء، مثل الماء المالح ومركبات كيميائية معينة ومواد التبييض أو المنتجات التي تشمل على مواد تبيض، يمكن أن تؤدي إلى حدوث ماس كهربائي.

لا تقم أبداً بفتح قفل البطارية والشواحن ولا تخزينهم إلا في غرف جافة. وحافظ عليها جانف طوال الوقت.

استخدم فقط شواحن System M18 لشحن بطاريات System M18. لا تستخدم بطاريات من أنظمة أخرى.

شروط الاستخدام المحددة

يمكن استخدام آلة الملمع لتلميع اللك والطلاء والبلاستيك وغيرها من الأسطح اللسقاء.

لا تستخدم المنتج بأي طريقة غير الموضحة للاستخدام المقصود.

المخاطر المتوقعة

أيضاً عند الاستخدام الصحيح لا يمكن استبعاد جميع المخاطر المتبقية. عند الاستعمال قد تنشأ المخاطر التالية التي يجب على المستخدم مراعاتها بشكل خاص.

- الإصابات الناتجة عن الاهزازات. أمسك الجهاز من المقابض المخصصة لذلك وحدد أوقات العمل وخطة العمل.
- يمكن أن تسبب الضوضاء في أضرار سمعية. لذا يرح ارتداء واقي للسمع وقم بتحديد فترة العمل.
- إصابات العين الناتجة عن جزيئات القذورات. ارتدي دائماً نظارة واقية، وبنظون طويل وقفات وحذاء واقية.
- استنشاق الأتربة السامة.

إرشادات خاصة ببطاريات أيون الليثيوم القابلة للشحن

استخدام بطاريات أيون الليثيوم القابلة للشحن

يجب إعادة شحن البطارية غير المستخدمة لفترة قبل الاستخدام.

تقلل درجات الحرارة التي تتجاوز 50° سيلزيوس (122° فهرنهايت) من أداء البطارية. تجنب التعرض الزائد للحرارة أو أشعة الشمس (خطر التسخين).

يجب الحفاظ على محتويات الشواحن والبطاريات نظيفة.

للحصول على فترة استخدام مثالية، يجب شحن البطاريات تماماً، بعد الاستخدام. للحصول على أطول عمر ممكن للبطارية، انزع البطارية من الشاحن بمجرد شحنها تماماً.

لتخزين البطارية أكثر من 30 يوم:

خزن البطارية بحيث تكون درجة الحرارة أقل من 27° سيلزيوس ويعبدا عن أي رطوبة خزن البطارية مشحونة بنسبة تتراوح بين 30-50 % وذلك كل سنة أشهر من التخزين. اشحن البطارية كالمعتاد، وذلك كل سنة أشهر من التخزين.

حماية بطاريات أيون الليثيوم القابلة للشحن من التحميل الزائد

في حالات العزم العالي، أو إعاقة الحركة أو التوقف المفاجئ أو القصور في الدائرة الكهربائية الذي ينتج عنه سحب لعدد كبير من التيار الكهربائي، ستصدر الأداة ذبذبات لمدة 5 ثوان، وسيضيء مقياس الوقود ثم تتوقف عن العمل.

لإعادة الضبط حر الزناد. في الظروف القصوى للعمل، قد ترتفع درجة الحرارة الداخلية للبطارية ارتفاعاً شديداً. إذا حدث ذلك، سيضيء مقياس الوقود حتى تنخفض درجة حرارة البطارية. بعد انطفاء الأضواء، يمكنك متابعة العمل.

EC DECLARATION OF CONFORMITY

We declare as the manufacturer under our sole responsibility that the product described under "Technical Data" fulfills all the relevant regulations and directives listed below and that the following harmonized standards have been used.

EG-KONFORMITÄTSEKLERUNG

Wir erklären als Hersteller in alleiniger Verantwortung, dass das unter „Technische Daten“ beschriebene Produkt alle nachstehend aufgeführten relevanten Verordnungen und Richtlinien erfüllt und dass die folgenden harmonisierten Normen angewandt wurden.

DÉCLARATION CE DE CONFORMITÉ

Nous déclarons en tant que fabricant et sous notre seule responsabilité, que le produit décrit dans « Données techniques » est conforme à toutes les réglementations et directives pertinentes mentionnées ci-après et que les normes harmonisées suivantes ont été appliquées.

DICHIARAZIONE CE DI CONFORMITÀ

In qualità di produttore dichiariamo sotto la nostra esclusiva responsabilità che il prodotto descritto nei "Dati tecnici" è conforme a tutti i regolamenti e tutte le direttive pertinenti elencati qui di seguito e che sono state usate le seguenti norme armonizzate.

DECLARACIÓN CE DE CONFORMIDAD

Declaramos como fabricante y bajo nuestra responsabilidad que el producto descrito bajo "Datos técnicos" está en conformidad con todos los reglamentos y directivas detallados a continuación y que se han utilizado las siguientes normas armonizadas.

DECLARAÇÃO CE DE CONFORMIDADE

Como fabricante, declaramos sob responsabilidade exclusiva, que o produto descrito sob "Dados Técnicos" corresponde com todos os regulamentos relevantes e directivas abaixo que as seguintes normas harmonizadas foram utilizadas.

EG-VERKLARING VAN OVEREENSTEMMING

Wij als fabrikant verklaren in uitsluitende verantwoording dat het onder "Technische gegevens" beschreven product aan alle onderstaand vermelde relevante verordeningen en richtlijnen voldoet en dat de volgende geharmoniseerde normen werden toegepast.

EF-OVERENSSTEMMELSESERKLÆRING

Vi erklærer som producent og eneansvarlig, at produktet, der er beskrevet under "Tekniske data", opfylder kravene i alle relevante forordninger og direktiver som nævnt nedenfor og at nedenstående harmoniserede standarder er blevet anvendt.

EF-SAMSVARSERKLÆRING

Som producent erklærer vi under eget ansvar at produktet som beskrives under « Tekniske data » opfylder alle relevante forordninger og direktiver som står opført nedenfor og at de følgende harmoniserede standarder har blitt brukt.

EG-FÖRSÄKRAN ÖVERENSSTÄMMELSE

Vi som tillverkare förklarar under eget ansvar, att den produkt som beskrivs under "Tekniska data" överensstämmer med alla de nedan angivna relevanta förordningarna och direktiven och att de följande harmoniserade normen har tillämpats.

EY-VAATIMUSTENMUKAISUUSVAKUUTUS

Vakuutamme valmistajan ominaisuudessa yksinvastuullisesti, että kohdassa "Tekniset tiedot" kuvattu tuote täyttää kaikki seuraavassa luetellut sitä koskevat asetukset ja direktiivit ja että seuraavia harmonisoituja standardeja on sovellettu.

ΑΝΑΩΣΗ ΣΥΜΜΟΡΦΩΣΗΣ ΕΚ

Ως κατασκευαστής δηλώνουμε υπεύθυνα ότι το προϊόν που περιγράφεται στο κεφάλαιο «Τεχνικά Χαρακτηριστικά», πληροί όλους τους κανονισμούς κι όλες τις οδηγίες που αναφέρονται σχετικά παρακάτω, και για το οποίο έχουν εφαρμοστεί τα ακόλουθα εναρμονισμένα πρότυπα.

AT UYGUNLUK BEYANI

Üretici sıfatıyla tek sorumlu olarak "Teknik Veriler" bölümünde tarif edilen ürünün aşağıda sıralanan bütün ilgili yönetmelik ve direktiflere uygun olduğunu ve aşağıdaki uyumlaştırılmış standartların kullanılacağını beyan etmekteyiz.

ES PROHLÁŠENÍ O SHODĚ

My jako výrobce prohlašujeme na svou vlastní odpovědnost, že produkt popsáný v části „Technické údaje“ splňuje všechna příslušná nařízení a směrnice uvedené níže a že byly použity následující harmonizované normy.

ES VYHLÁŠENIE O ZHODE

My ako výrobca vyhlasujeme na vlastnú zodpovednosť, že produkt popísaný v časti „Technické údaje“ spĺňa všetky príslušné nariadenia a smernice uvedené nižšie a že boli použité nasledujúce harmonizované normy.

DEKLARACJA ZGODNOŚCI WE

Jako producent oświadczamy na naszą wyłączną odpowiedzialność, że produkt opisany w punkcie „Dane techniczne” odpowiada wszystkim poniższym istotnym rozporządzeniom oraz dyrektywom, a także iż zastosowano poniższe zharmonizowane normy.

EK-MEGFELELŐSÉGI NYILATKOZAT

Gyártóként egyedüli felelősséggel kijelentjük, hogy a „Műszaki Adatok” alatt leírt termék megfelel a következőkben felsorolt minden releváns rendeletnek és irányelvnek, és hogy a következők harmonizált szabványok kerültek használatra.

ES-IZJAVA O SKLADNOSTI

Mi kao proizvođač izjavljujemo na osobnu odgovornost, da je proizvod, opisan pod "Tehnički podaci", sukladan sa svim relevantnim propisima i u nastavku navedenim smjernicama i harmoniziranim normativima dokumenata.

IZJAVA O SUKLADNOSTI

Mi kao proizvođač izjavljujemo na osobnu odgovornost, da proizvod opisan pod "Tehnički podaci", ispunjava sve u nastavku navedene relevantne odredbe i smjernice i da su sljedeće harmonizirane norme bile primijenjene.

EK ATBILSTĪBAS DEKLARĀCIJA

Mēs kā ražotājs un vienīgā atbildīgā persona apliecinām, ka "Tehniskajos datos" raksturotais produkts atbilst visiem attiecīgajiem noteikumiem un vadlīnijām, kas uzskaitītas turpmāk, un ka ir izmantoti šādi saskaņotie standarti.

EB ATITIKTIES DEKLARACIJA

Gamintojo vardu atsakingai pareiškiamo, kad gaminy, aprašytas skyriuje „Techniniai duomenys“, atitinka visus toliau išvardytų susijusių reglamentų, direktyvų ir darniųjų standartų taikomus reikalavimus.

EÜ VASTAVUSDEKLARATSIOON

Kinnitame tootjana ainuiskuliselt vastutades, et jaotises „Tehnilised andmed“ kirjeldatud toode on kooskõlas alpool nimetatud direktiivide asjaomaste eeskirjade ja ühtlustatud normdokumentidega ning et on kasutatud järgmisi ühtlustatud standardeid.

ДЕКЛАРАЦИЯ СООТВЕТСТВИЯ ЕС

Мы как производитель под собственную ответственность заявляем о том, что описанное в разделе «Технические характеристики» изделие отвечает всем нижеперечисленным соответствующим предписаниям и директивам и что в отношении него применяются следующие гармонизированные стандарты.

DEKLARACIJA ZA СЪОТВЕТСТВИЕ НА ЕО

В качеството си на производител декларираме на собствена отговорност, че продуктът, описан в „Технически данни“, отговаря на всички изброени по-нататък приложими регламенти и директиви и че са използвани посочените хармонизирани стандарти.

DECLARAȚIE DE CONFORMITATE CE

În calitate de producător declarăm pe propria răspundere că produsul descris la "Date tehnice" este în concordanță cu toate regulamentele și directivele relevante de mai jos și că au fost utilizate următoarele norme armonizate.

EK-DEKLARACIJA ZA SOOBRAZNOT

Kako proizvođač, izjavjuvamo pod celopisna odgovornost дека производот опишан во „Технички податоци“ подолу е во согласност со сите релевантни одредби и регулативи наведени подолу и дека се користени следниве усогласени стандарди.

ДЕКЛАРАЦИЯ ЕС ПРО ВІДПОВІДНІСТЬ

Як виробник, ми заявляємо на власну відповідальність, що виріб, описаний у розділі "Технічних даних", відповідає всім застосовним положенням директив і приписам перерахованим нижче, і що щодо нього були використані наступні гармонізовані стандарти.

إقرار المطابقة وفقاً للمواصفات الاتحاد الأوروبي
موجب هذا نعلن كشركة منتجة وعلى مسؤوليتنا المنفردة، أن المنتج الموصوف تحت "البيانات الفنية" يطابق جميع الأوامر والتوجيهات الهامة المذكورة فيما يلي وقد جرى فيها استخدام معايير التوافق التالية.

2011/65/EU (RoHS)

2014/30/EU

2006/42/EC

EN 62841-1:2015

EN 62841-2-4:2014

EN 55014-1:2021

EN 55014-2:2021

EN IEC 63000:2018

Winnenden, 2021-09-28

Alexander Krug
Managing Director



Authorized to compile the technical file

Bevollmächtigt die technischen Unterlagen zusammenzustellen.

Autorisé à compiler la documentation technique.

Autorizzato alla preparazione della documentazione tecnica

Autorizado para la redacción de los documentos técnicos.

Autorizado a reunir a documentação técnica.

Gemachtigd voor samenstelling van de technische documenten

Autoriseret til at udarbejde de tekniske dokumenter.

Autorisert til å utarbeide den tekniske dokumentasjonen

Befullmäktigad att sammanställa teknisk dokumentation.

Valtuutettu kokoamaan tekniset dokumentit.

Εξουσιοδοτημένος να συντάξει τον τεχνικό φάκελο.

Teknik evrakları hazırlamakla görevlendirilmiştir.

Zplnomocněn k sestavování technických podkladů.

Splnomocnený zostaviť technické podklady.

Upeinomocniony do zestawienia danych technicznych

Műszaki dokumentáció összeállításra felhatalmazva

Pooblaščen za izdelavo spisov tehnične dokumentacije.

Ovlašten za formiranje tehničke dokumentacije.

Pilnvarotais tehnikās dokumentācijas sastādīšanā.

Igaliotas parengti techninius dokumentus.

On volitatud koostama tehnilist dokumentatsiooni.

Уполномочен на составление технической документации.

Упълномощен за съставяне на техническата документация

Ímputernicit sá elaboreze documentația tehnică.

Ополномоштен за составување на техничката документација.

Уповноважений із складання технічної документації.

معمتدة للمطابقة مع الملف الفني

Techtronic Industries GmbH

Max-Eyth-Straße 10

71364 Winnenden

Germany

GB-DECLARATION OF CONFORMITY

We declare as the manufacturer under our sole responsibility that the product described under "Technical Data" fulfills all the listed below relevant regulations and that the following designated standards have been used.

S.I. 2008/1597 (as amended)

S.I. 2016/1091 (as amended)

S.I. 2012/3032 (as amended)

BS EN 62841-1:2015

BS EN 62841-2-4:2014

BS EN 55014-1:2021

BS EN 55014-2:2021

BS EN IEC 63000:2018

Winnenden, 2021-09-28

Alexander Krug
Managing Director

Techtronic Industries GmbH

Max-Eyth-Straße 10

71364 Winnenden

Germany

Authorized to compile the technical file:

Techtronic Industries (UK) Ltd

Fieldhouse Lane

Marlow Bucks SL7 1HZ

UK

Copyright 2021
Techtronic Industries GmbH
Max-Eyth-Straße 10
71364 Winnenden
Germany
+49 (0) 7195-12-0
www.milwaukeeetool.eu

Techtronic Industries (UK) Ltd
Fieldhouse Lane
Marlow Bucks SL7 1HZ
UK

(11.21)

4931 4251 16