

TRIMETALS

TITAN RANGE



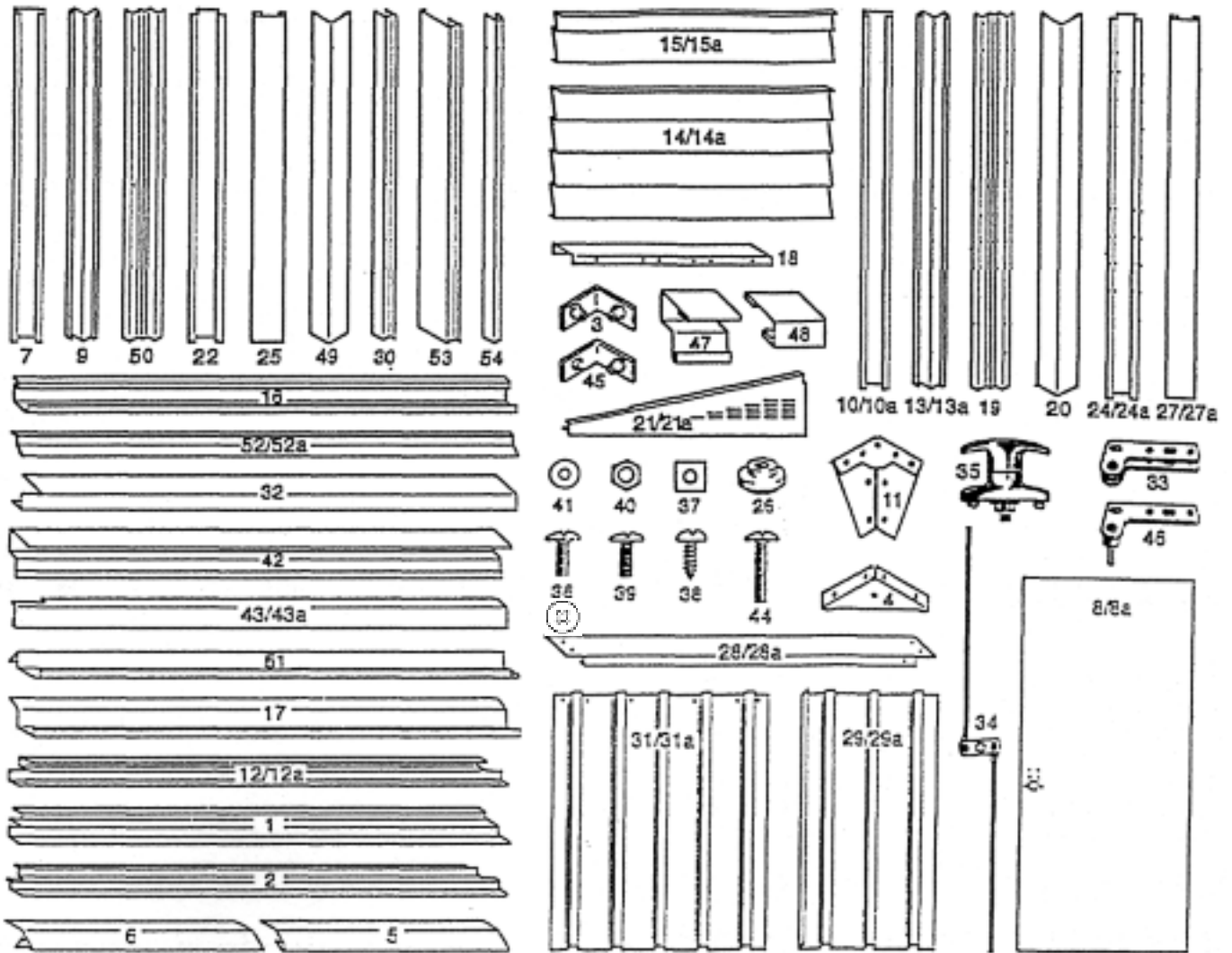
PENT ROOF SHED ASSEMBLY INSTRUCTIONS

140 cm x 270 cm

160 cm x 270 cm

170 cm x 270 cm

COMPONENT LIST



Component illustrations are given as a visual guide only and are not in proportion to each other.

PART NO	PART NAME	QTY	9x4	9x5	9x6	PART NO.	PART NAME	QTY	9x4	9x5	9x6
1	1a FRONT/REAR BASE CHANNEL	2	2	2	2	27	27a CENTRE COVER HIGH	1	1	1	
2	- SIDE BASE CHANNEL	4	4	4	4	28	28a ROOF PANEL SUPPORT	4	4	4	
3	- ROOF TRIM CORNER BRACKET	4	4	4	4	29	29a END ROOF PANEL	2	2	2	
4	- BASE GUSSET	4	4	4	4	30	- DOOR PILLAR COVER/SLAM	2	2	-	
5	- BASE STEP OUTER	1	1	1	1	31	31a MIDDLE ROOF PANEL	3	3	3	
6	- BASE STEP INNER	1	1	1	1	32	- LOW SIDE ROOF TRIM	2	2	2	
7	- CENTRE POST LOW	1	1	2	2	33	- TOP DOOR HINGE ASSEMBLY	2	2	2	
8	8a DOOR	2	2	2	2	34	- DOOR BAR ASSEMBLY	1	1	1	
9	- CORNER POST LOW	2	2	2	2	35	- DOOR HANDLE	1	1	1	
10	10a CENTRE POST HIGH	1	1	1	1	36	- STAINLESS STEEL ROOF BOLT M5X10	48	64	80	
11	- CORNER POST GUSSET TOP/BOTTOM	8	8	8	8	37	- NUT M5	134	134	134	
12	12a FRONT/REAR GABLE SUPPORT	2	2	2	2	38	- SELT TAPPING SCREW	94	95	96	
13	13a CORNER POST HIGH	2	2	2	2	39	- BOLT M5 X8	158	174	190	
14	- SIDE PANEL	12	12	12	12	40	- STAINLESS STEEL NYLOC NUT M5	24	24	24	
14a	- REAR PANEL	3	3	3	3	41	- STAINLESS STEEL M5 WASHER	24	24	24	
15	15a HIGH SIDE INFILL PANEL	2	2	2	2	42	- RIDGE BEAM	2	2	2	
16	- SIDE PANEL/SUPPORT	2	2	2	2	43	43a ROOF TRIM	2	2	2	
17	- SIDE PANEL/ROOF SUPPORT HIGH	2	2	2	2	44	- N/A	-	-	-	
18	- BASE SIDE JOINER	2	2	2	2	45	- LOW/HIGH SIDE ROOF TRIM BRACKET	4	4	4	
19	- CORNER PANEL RETAINER HIGH	2	2	2	2	46	- BOTTOM DOOR HINGE ASSEMBLY (pair)	1	1	1	
20	- CORNER COVER HIGH	2	2	2	2	47	- RIDGE JOINT COVER	1	1	1	
21	21a GABLE (pair)	1	1	1	1	48	- LOW SIDE OOF TRIM COVER	1	1	1	
22	- CENTRE PANEL RETAINER LOW	1	1	1	1	49	- CORNER COVER LOW	2	2	2	
23	- SELF ADHESIVE STRIP	1	1	1	1	50	- CORNER PANEL RETAINER LOW	2	2	2	
24	24a CENTRE PANEL RETAINER HIGH	1	1	1	1	51	- INTERMEDIATE ROOF RAIL	2	2	2	
25	- CENTRE COVER LOW	1	1	1	1	52	52a GABLE RAIN DEFLECTOR	2	2	2	
26	- SEALING WASHER	44	60	76	76	53	- DOOR PILLAR INFILL PANEL	-	-	2	
						54	- DOOR PILLAR SUPPORT	-	-	2	

Trimetals policy is one of constant improvement. We reserve the right to alter specifications outlined in this document without incurring any obligation.

TRIMETALS LTD. Sunrise Business Park, Higher Shaftesbury Road, Blandford Forum, Dorset DT11 8ST
Telephone: Blandford 01258 459441 Fax: 01258 480408

PLEASE READ BEFORE COMMENCING SHED CONSTRUCTION

1. Check box contents against the component list.
2. Read the Instructions thoroughly.
3. We recommend securing the shed to a concrete base or paving slabs.
4. To avoid cuts and abrasions wear protective gloves.
5. Shed assembly should be undertaken by two people.
6. Precautions must be taken when siting sheds in exposed areas.

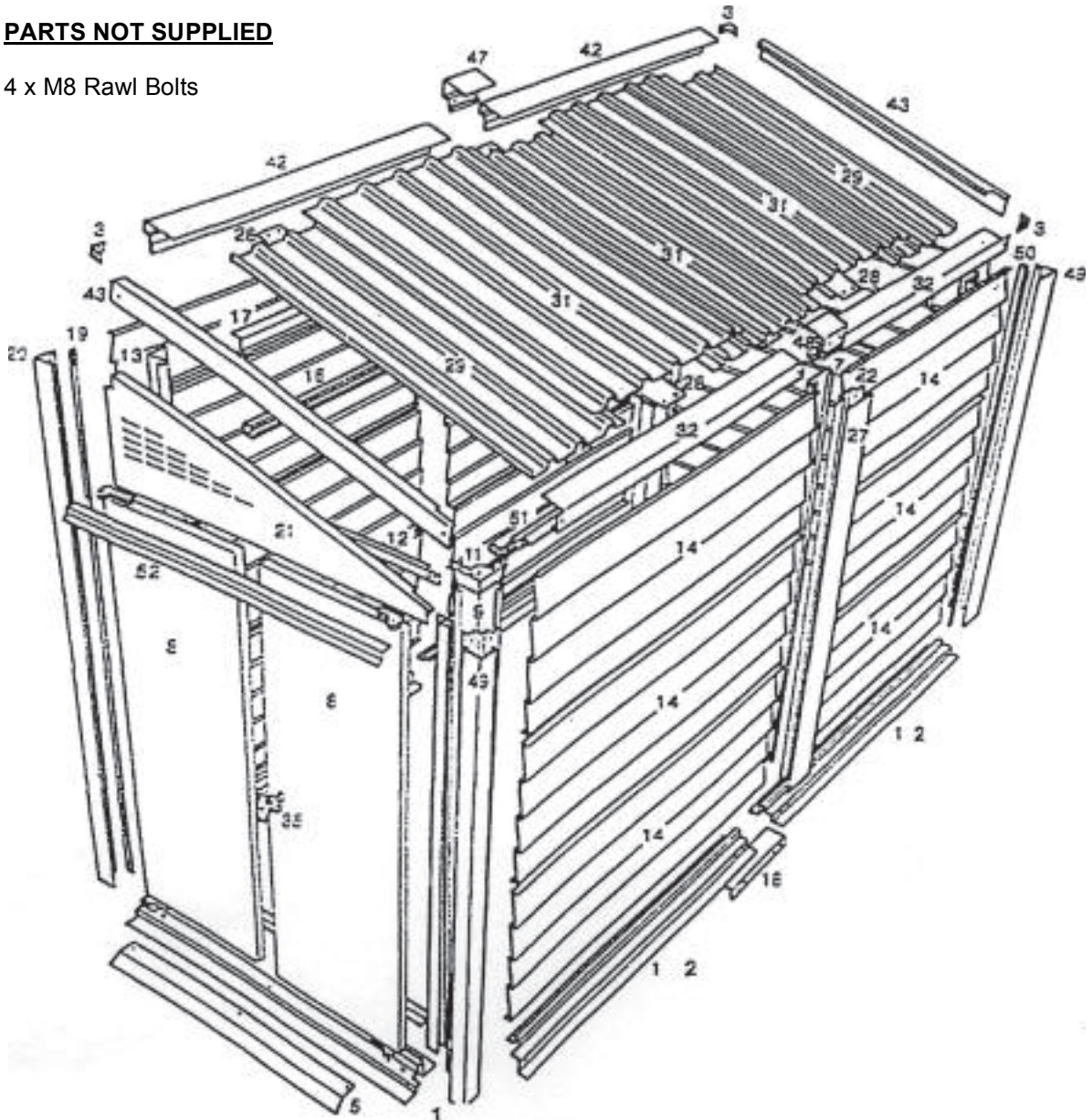
Always securely fix the base down. Keep the doors locked and take extra care when opening in high winds.

TOOLS REQUIRED

10mm Spanner
8mm Spanner
Large flat blade screwdriver
Large Philips screwdriver
(Electric drill and spanner for ground anchors)

PARTS NOT SUPPLIED

4 x M8 Rawl Bolts



SITE PREPARATION

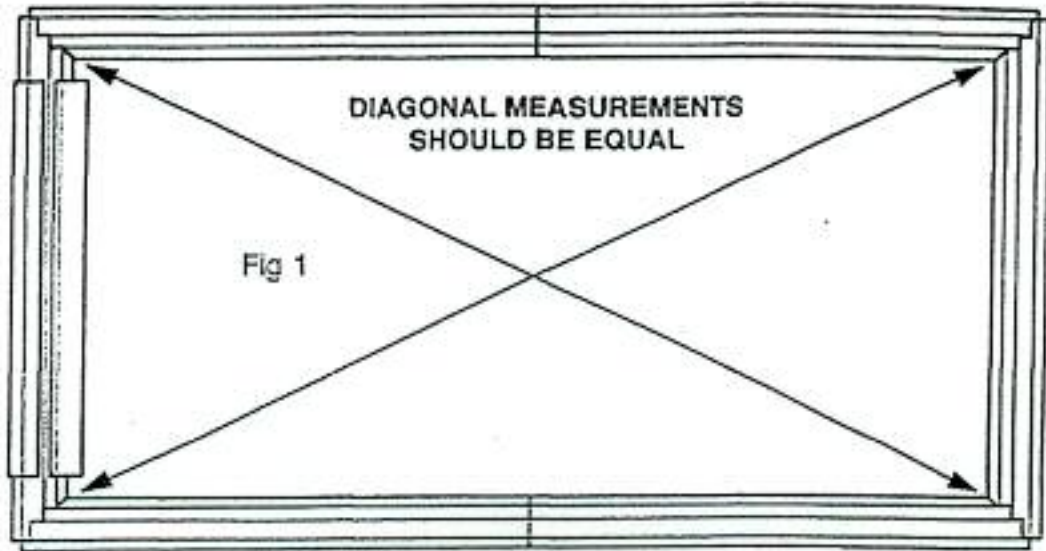
WE RECOMMEND THAT ALL OUR SHEDS ARE SITED AND FASTENED TO A CONCRETE BASE 4" (100 mm thick).
 THE CONCRETE BASE MUST BE LAID OVER A WATERPROOF MEMBRANE. (plastic sheeting).

BASE AREA REQUIRED

Standard Pent Roof Model	150 cm wide x 280 cm long
Wide Pent Roof Model	175 cm wide x 280 cm long
Extra Wide Pent Roof Model	200 cm wide x 280 cm long

For ease of assembly allow 3 feet (90 cm) of clearance around the shed free from obstructions.

NOTE: THE CONCRETE BASE MUST BE FLAT AND LEVEL.



SHED FLOOR SIZES

SIDE OF SHED

All floors are supplied in three parts and should be assembled after the shed is completed.



SHED SIZE	TOTAL FLOOR AREA	PART 1 SIZE	PART 2 SIZE
9 X 4ft 1400 x 2700 mm	2625 x 1310 mm	TWO OFF 1220 x 1310 mm	185 x 1310 mm
9 x 5ft 1600 x 2700 mm	2625 x 1540 mm	TWO OFF 1220 x 1540 mm	185 x 1540 mm
9 x 6ft 1700 x 2700 mm	2625 x 1770 mm	TWO OFF 1220 x 1770 mm	185 x 1770 mm

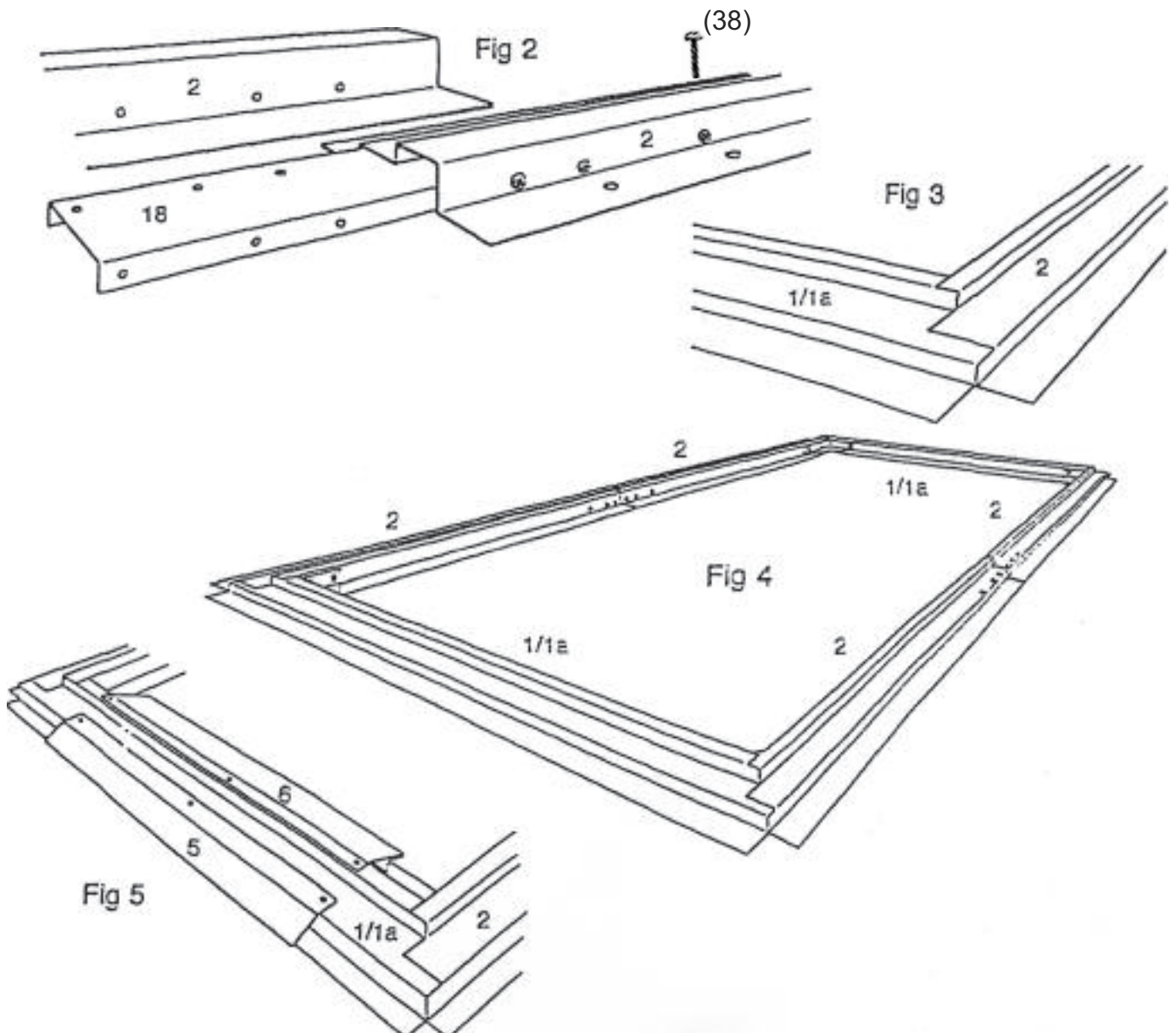
BASE ASSEMBLY

- 1a Identify the base components – Part No's (1/1a) (2) (18) (4) (5) and (6), also the M5 Bolts Part No (39).

PLACE ALL THE COMPONENTS NEAR YOUR PREPARED SITE

- 1b Attach one Base Joiner (18) to the end of one side Base Channel (2) using six Self Tapping Screws (38), as shown in figure 2. Attach one side Base Channel (2) to the other end of the Joiner. Repeat this operation for the other side of the Base. Place the two completed side bases parallel on the ground and position a Front/Rear Base (1/1a) as shown in Figure 3.
- 1c Attach one Base Gusset (4) to each end of the two front/rear Base Channels (1/1a), using two M5 x 8 bolts (39) as shown in Figure 6.
- 1d Secure the Side Channels (2) with Base Gusset (4) to the Front/Rear Channels to form a rectangle, as shown in Figure 4.
- 1e Place the base onto the prepared site.
- 1f Check the diagonal measurements of the base to ensure it is square, as shown in Figure 1 and tighten all the bolts.
- 1g Fit the inner and outer Base Steps (6) & (5), as shown in Figure 5, using screws (38).

WE RECOMMEND THAT YOU ATTACH THE BASE FRAME TO YOUR SITE USING M8 RAWL BOLTS SECURED THROUGH THE BASE GUSSETS (4).



FRAME ASSEMBLY

2a Select the two Low Corner Posts (9) attach to the top and bottom of each post a Corner Post Gusset (11), See Figures 6 and 7.

DO NOT TIGHTEN. Repeat for the High Corner Post (10/10a) Figure 8.

2b Stand the High Corner Post (10/10a) on one corner of the Base Assembly. Fasten the Corner Post (10/10a) into position using two screws (38), as shown in Figure 9. Repeat this operation for both corners.

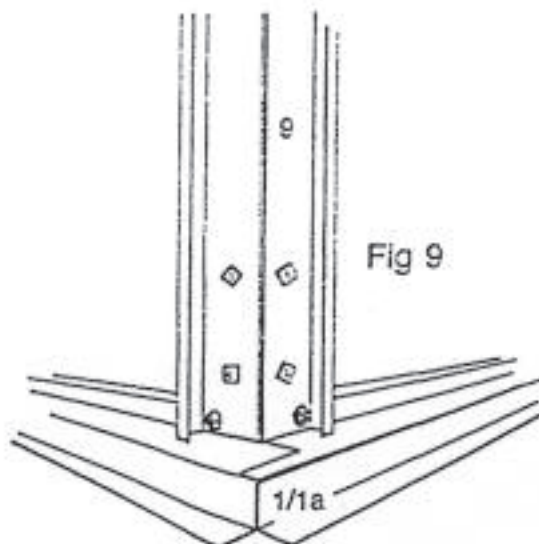
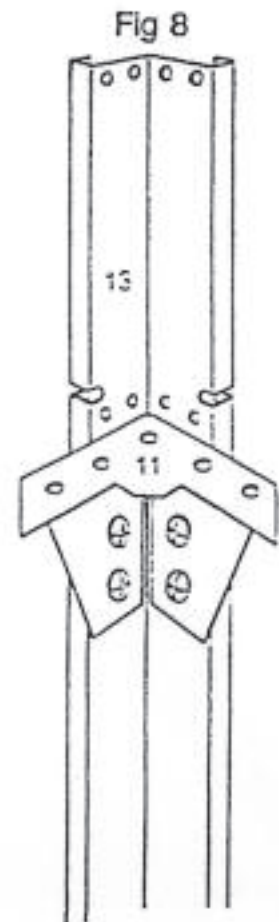
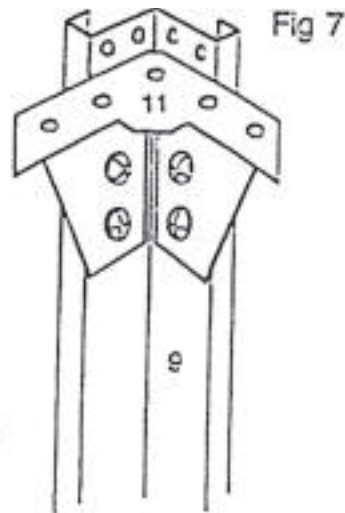
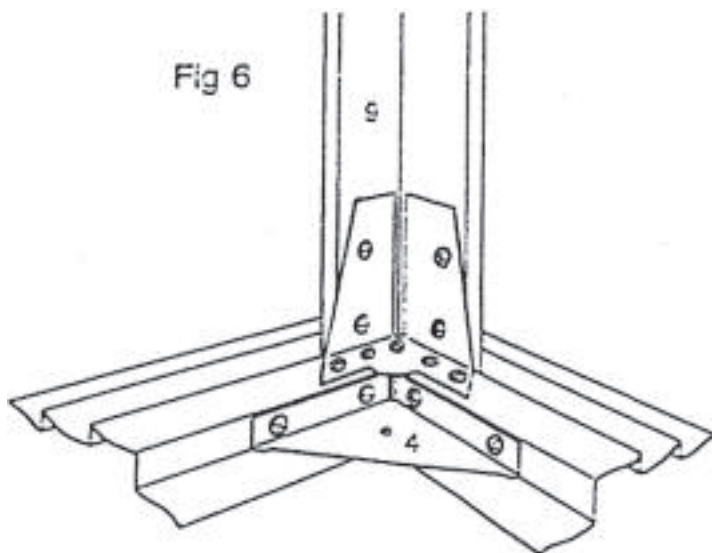
2c Stand the Low Side Centre Post (7) onto the base and fasten into position using two self tapping screws (38). See Figure 10. For 9x6 an additional Centre Post (7) is fitted at centre of the Rear Frame.

2d Fasten the four Bottom Gussets (11) to the side and front/rear base using five bolts (39) for each. See Figure 6.

2e Secure Corner Posts (9) & (13/13a) to Corner Gussets as shown in Figure 6 using Nut/Bolt (37) & (39).

DO NOT TIGHTEN.

2f Locate the two Front/Rear Supports (12/12a). Position one at the front of the shed on top of the Gusset (11) fasten into position using Nut/Bolt (37) & (39) each end and into Corner Posts (9) & (13/13a). It is important which way the nuts and bolts fasten when fixing cladding panels later. See Figure 11. Repeat for rear of shed.



FRAME ASSEMBLY

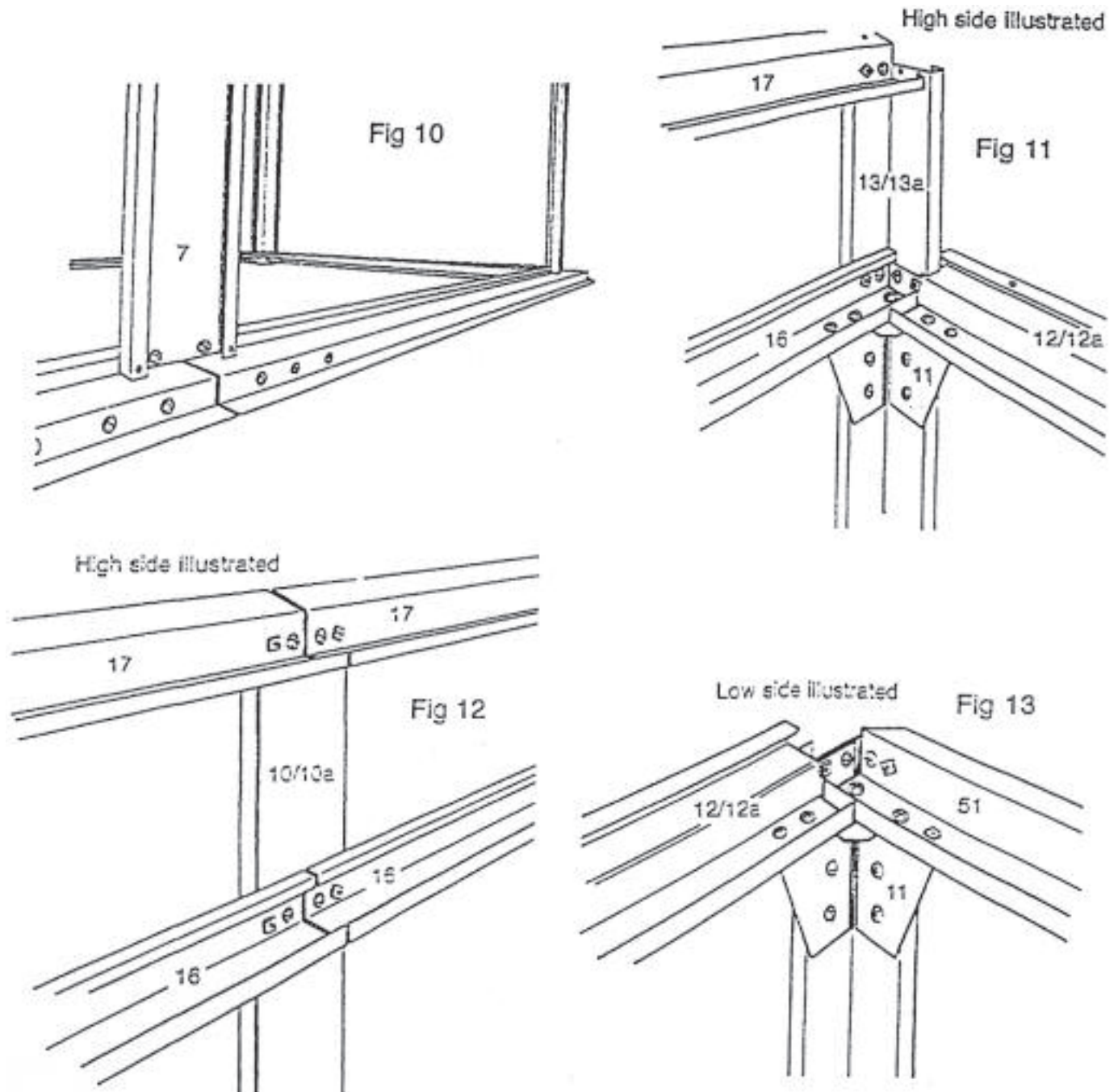
NOTE: WHEN ASSEMBLING THE FRAME STUDY THE FIGURE DRAWINGS NOTING THE POSITION OF THE NUTS AND BOLTS, i.e., INSIDE OR OUTSIDE THE FRAME.
IF THE BOLTS ARE INCORRECT THEY WILL INTERFERE WITH THE CLADDING PANEL WORK.

Attach the intermediate Roof Rails (51) on top of the Corner Post Gusset (11) and to top of the Centre Post (7) using M5 nuts and bolts (37) & (39). See Figures 13 and 14. Side post at rear only on 9x6ft.

Fix the High Centre Post (10) to the base, using two screws (38) as shown in Figure 10 using nuts/bolts (37) & (39). See Figures 10,11 and 12.

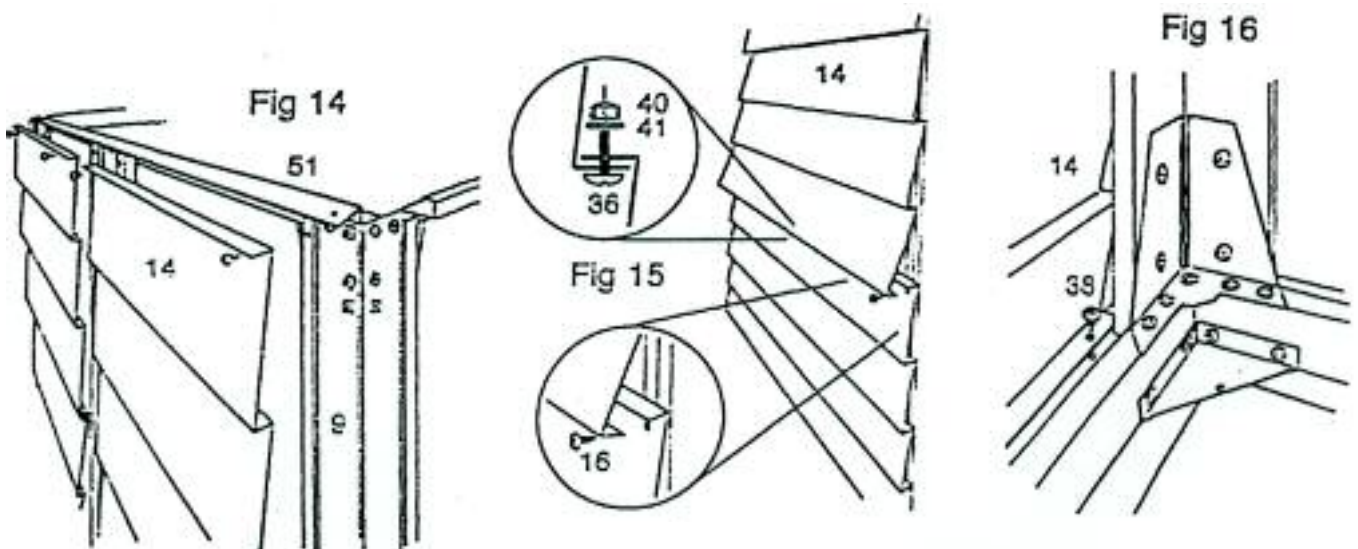
Fit the two Side Panel/Roof Supports (17) to the top of the Corner Post High (13/13a) and the Centre Post High (10/10a) using nuts and bolts (37) & (39). Again check position of nut and bolt. See Figures 11 and 12.

Fit the Side Panel Support (16) as per Figures 11 and 12 using fixings (37) and (39).



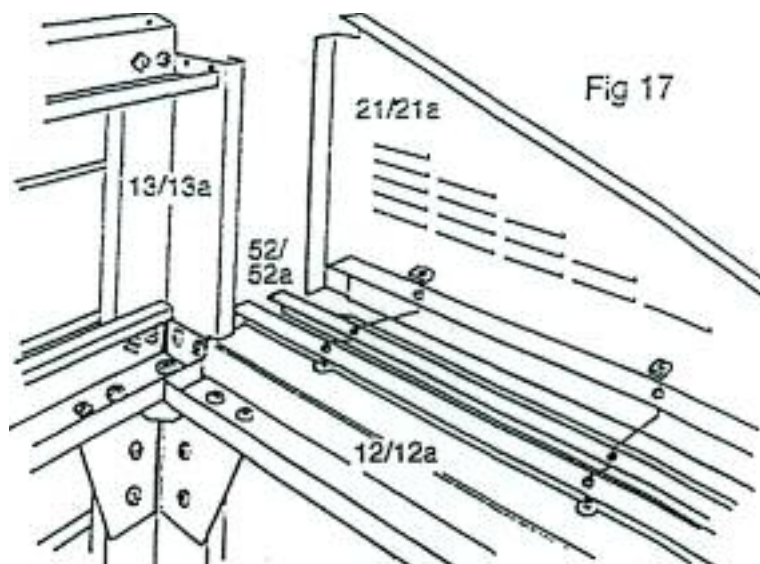
CLADDING

- 3a Carefully select a Side/Rear Panel (14/14a) and, starting at the top of the Low Side of the Shed, screw the Panel to the Corner Post (9) and Centre Post (7), using two self tapping screws (38). As shown in Figure 14.
- 3b The next panel is slid into position and hangs on the bottom of the first panel and is then screwed into position, as shown in Figure 15 using screw (38).
- 3c Affix the bottom panel in the same way. Both the side and Rear Panels assemble in the same manner. The High Side uses an Infill Panel (15/15a), at the top.
- 3d From inside the shed fix the bottom of the Side/Rear Panels (14/14a) to the base of the shed using screws (36) as shown in Figure 16.
- 3e Fasten all the panels to the panel above using the Stainless Steel Bolts (36). The Bolt goes up through the centre of the Side Panels See Figure 15, from the outside with a Washer (41) and a Nyloc Nut (40) to secure. Repeat for all panels.



GABLE ASSEMBLY

- 4a Locate the two Gables (21/21a) and the two Rain Deflectors (52/52a). Ensure the Rain Deflector is sandwiched between the front/rear Gable Support (12/12a) and the Gable, secure using M5 Nuts and Bolts (39), the bolts pass up through the front/rear Gable Support (12/12a), the Rain Deflector (52/52a) and the Gable (21/21a). As shown in Figure 17.
- 4b Repeat for Front Gable Assembly.

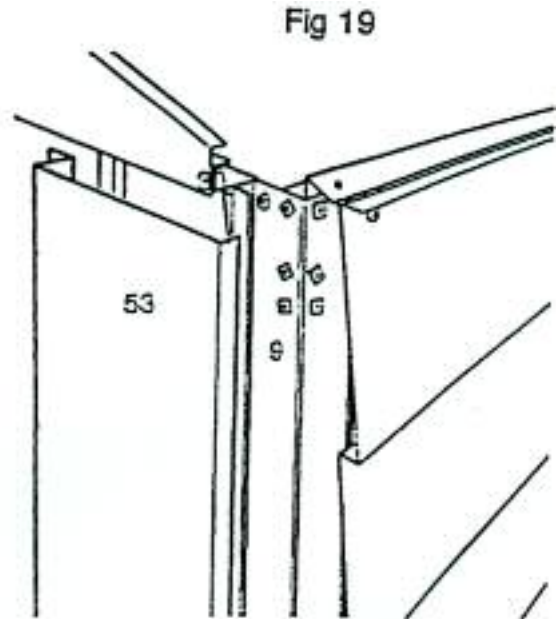
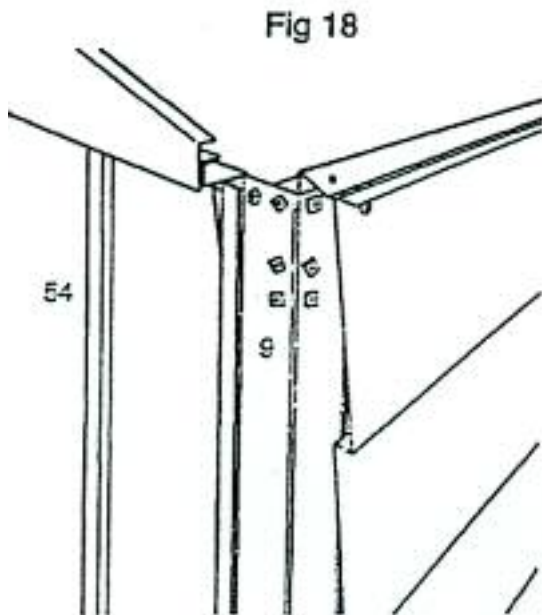


PANEL RETAINERS

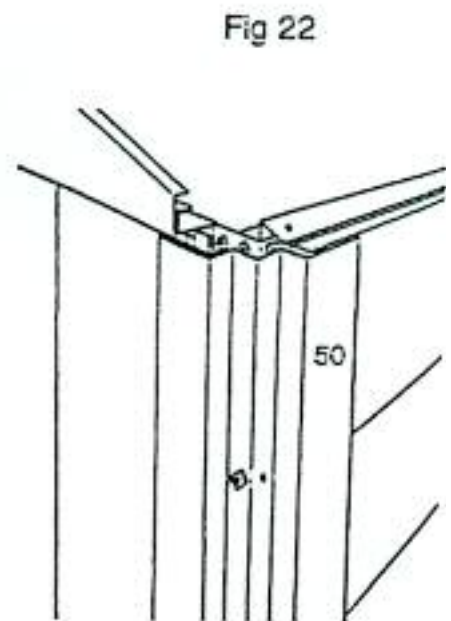
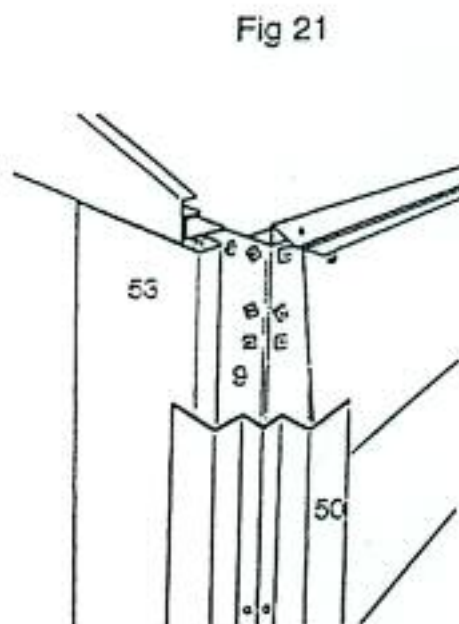
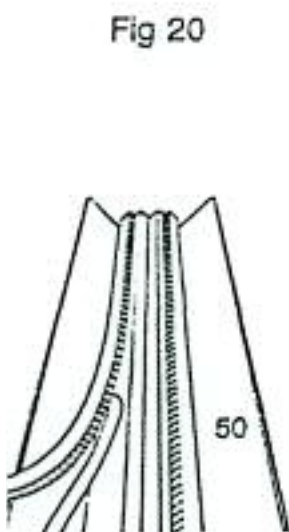
NOTE: The 9 x 6 version has two Door Pillar Supports (54) and two Door Infill Sections (53), one at either side, the fitting of the Right hand side is shown in Figures 18 & 19.

- 5a Select the two Low Corner Panel Retainers (50) and two High Corner Panel Retainers (19).
- 5b Stick the self Adhesive Foam Strip (23) to all four Panel Retainers as shown in Figure 20.
- 5c Attach the Low Corner Panel Retainers (50) to the Low Corner Posts (9) of the shed, as shown in Figure 21. Using three Nuts/Bolts (37) & (39), place the bolts through the Corner Post high (13/13a) secure the nut against the Panel Retainer (19) as shown in Figure 22.

Low corner illustrated



9 X 6 VERSION ONLY.



PANEL RETAINERS

- 5d Attach the High Corner Panel Retainers (19) to the High Corner Posts (13/13a) of the shed, using three Nuts/Bolts (37) & (39). The bolts go through the Corner Post (13/13a) and the nut is secured against the Panel Retainer (19), as shown in Figure 23.
- 5e Select the two Low Corner Covers (49) and the two High Corner Covers (20) and slide into position on each of the four corners, as shown in Figure 24.
- 5f Select the two centre Panel Retainers, low (22) and high (24/24a).
- 5g Stick the Self Adhesive Foam Strip (23) to the two Centre Panel Retainers, as shown in Figure 25.
- 5h Attach the Panel Retainers (22) & (24/24a) to the Centre Posts using Nuts/Bolts (37) & (39). The bolts go through the Centre Post into the Panel Retainer, as shown in Figure 26.
- 5i Slide the Low Centre Cover (25) onto the Low Panel Retainer (22) and slide the High Centre Cover (27/27a) onto the high Panel Retainer (24/24a), as shown in Figure 27.

High Corner illustrated.

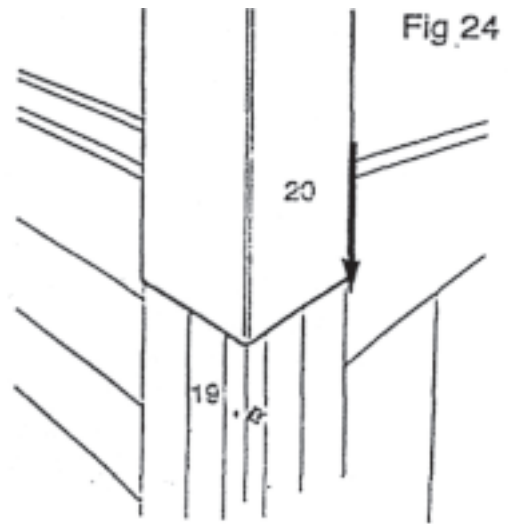
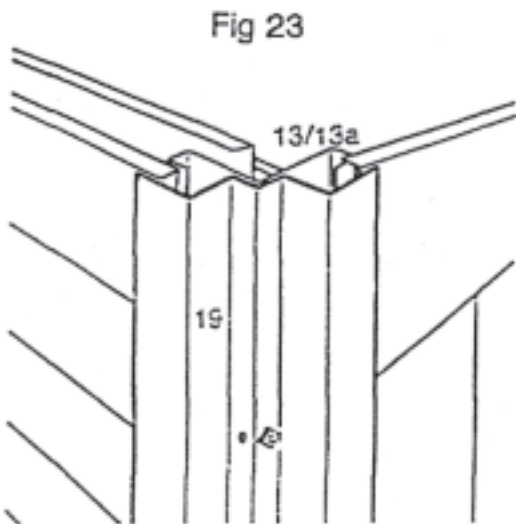


Fig 25

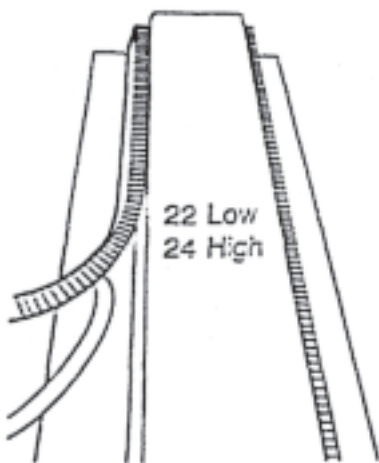


Fig 26

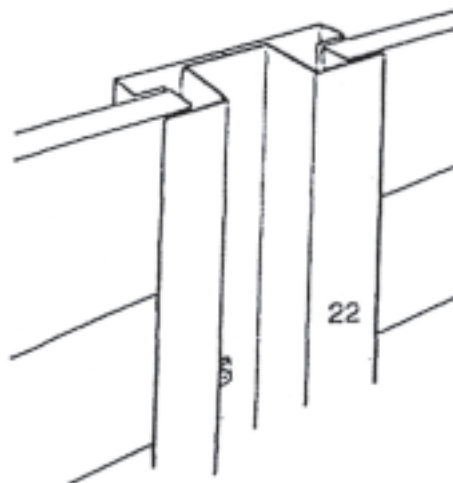
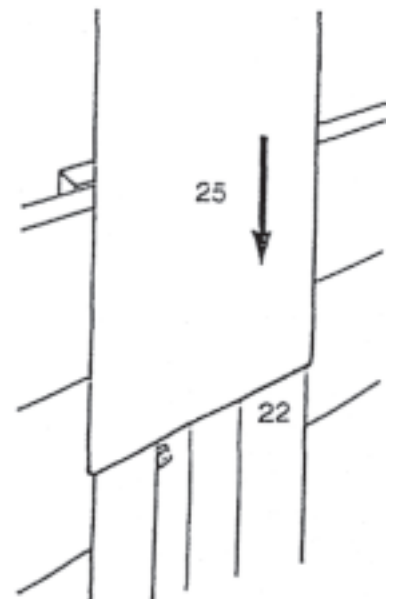


Fig 27



ROOF ASSEMBLY

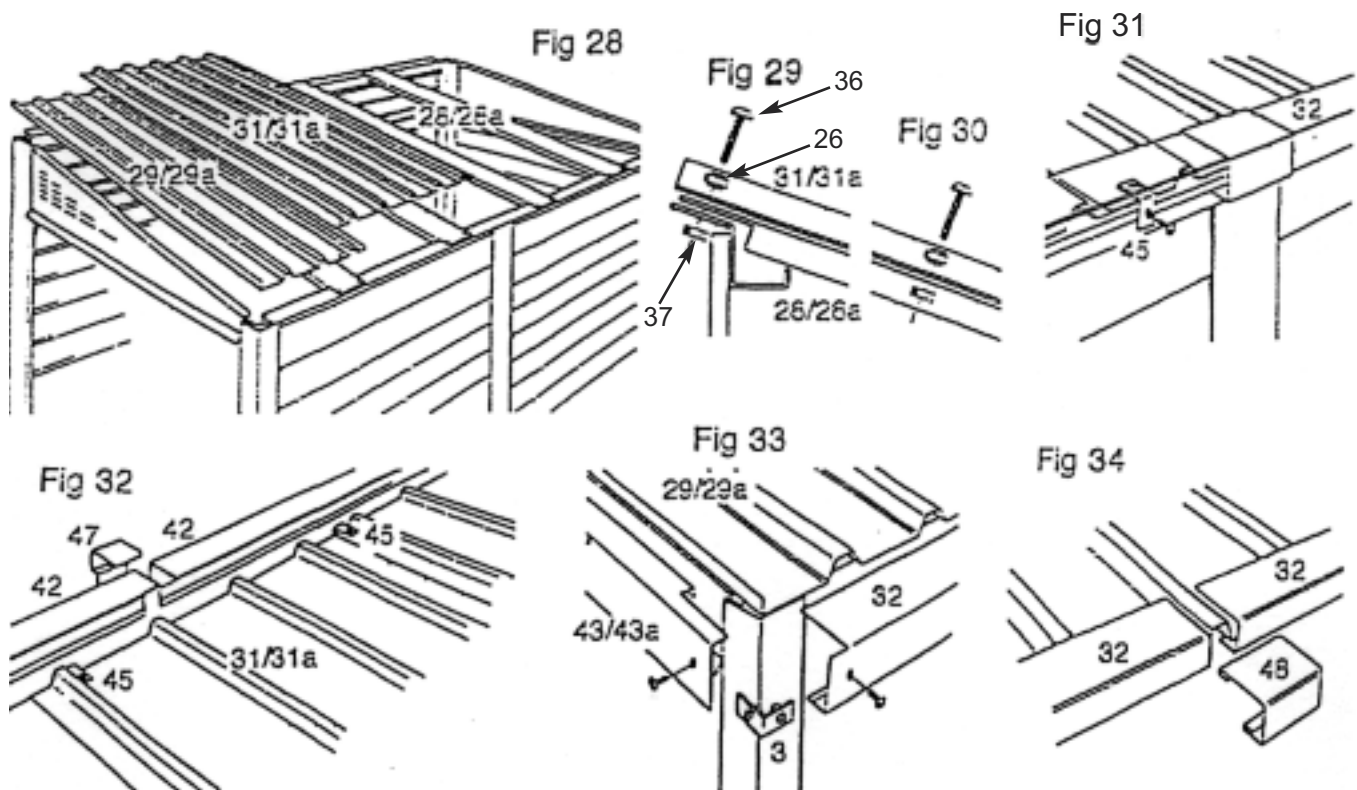
- 6a Select the four Roof Panel Supports (28/28a).
- 6b Lift the Roof Panel Support into position, as shown in Figure 28.
The holes in the Roof Supports should correspond with holes in the Side Supports (51) and (17).
- 6c Select the five Roof Panels, (the two End Roof Panels (29/29a) have an extra fold, while the three Middle Roof Panels (31/31a) are identical).

NOTE: It is very important to use Sealing Washers (26) for Roof Fixings. See Figure 29 and 30.

- 6d Place one of the End Panels (29/29a) on top of the shed and slide it carefully so that the upturned edge is above the gable. Fit the three Middle Roof Panels (31/31a) securing through the Roof Supports (28/28a). The first is to overlap the end Roof Panel by one rib, secure using Nuts and Bolts (33) & (37) fitted with Sealing Washer (26). The Central Middle Roof Panel has Roof Brackets (45) fitted (four brackets). The two lower ones are used to hold the Low Side Roof Panel in position. The top two brackets are used to fix the Ridge Beam into position. The Brackets (45) fit on to the top and bottom of the middle panel through the second and third top/bottom holes. Fit Washer (26) under the brackets to form a seal with the roof panel. The third Middle Panel overlaps the second Middle Roof Panel by one rib, then fit the other end Roof Panel, as shown in figures 29, 31 and 32.

NOTE: The 9x6 version is fitted with Bolts (36) & Sealing Washer (26) through the centre of each roof section, as shown in Figure 30.

- 6e Fit both ends of the shed, one Roof Trim (43/43a) using two Bolts through the Trim and Gable using a Sealing Washer (26) under the head of the Bolt (36) and secure using a Nyloc Nut (40), ensure Trim overlaps the fold in end Roof Panel (29/29a).
- 6f Select the two Low Side Roof Trims (32). Place on top of the tower edge of the Roof Panels and fasten one end to the Roof Trim Corner Bracket. Fasten either end to the Roof Trim Bracket (45) using Bolts (36). Repeat for either Low Side Roof Trim. See Figures 31, 32 and 33.
- 6g Fit Low Side Roof Trim Cover (43) and push into position. No fasteners required. See Figures 31 & 34.
- 6h Fit the Ridge Trim (42) and Ridge Joint Cover (47) in exactly the same manner as the Low Side Trims. As Shown in Figure 32.



DOOR & DOORWAY FITTINGS

- 7a Select the two Door Pillar Cover/Slam Pieces (30) (for 9x4 and 9x5 only) and slot one onto the left hand door frame and one to the right hand frame. Secure into position from inside the shed using three screws (38). See Figure 35 & 37.
- 7b Carefully lie the Doors (8/8a) on a flat surface, select the Top Hinge Assembly (33) and attach to the door using two Stainless Steel Bolts (36), as shown in Figure 36.
- 7c Fit the Bottom Hinge Assembly (46) to the bottom of the door, as shown in Figure 37.
- 7d Lift the Door Assembly and position the Bottom Hinge Pivot in the hole in the base next to the door pillar. Holding the door upright and open, slide the top hinge under the Gable Support and fit the retaining bolts (36). See Figures 36 and 37.
- 7e Carefully close the door. The top of the door must be parallel with the bottom of the gable. This can be adjusted by sliding the hinge on its slots left or right. Repeat 7d & 7e for the other door fitting. Once both doors are in line and operate correctly, tighten fully.

Fig 35

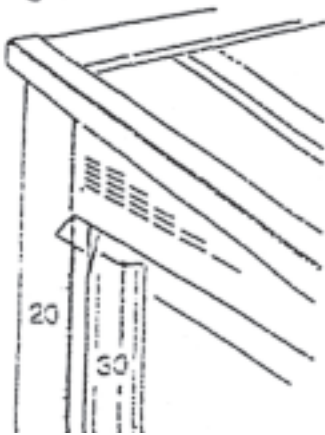


Fig 36

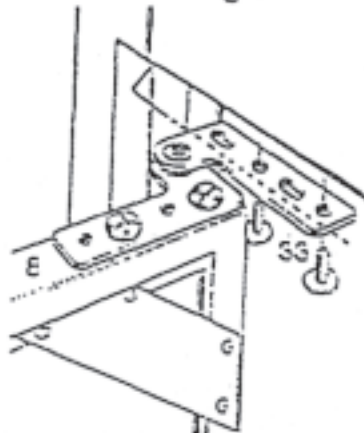
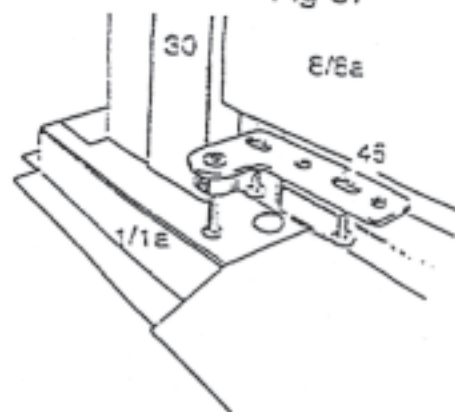


Fig 37



DOOR BAR & HANDLE FITTINGS

- 8a Locate the Door Handle (35) and the Door Bar Assembly (34). Fit the door handle to the door, as shown in Figure 38.
- 8b Push the Door Bar up through the top hole in the door and down through the bottom hole. See Figures 39 & 40. Push the retaining plate onto the Door Handle Spigot and fix into position using the split pin provided.

Fig 38

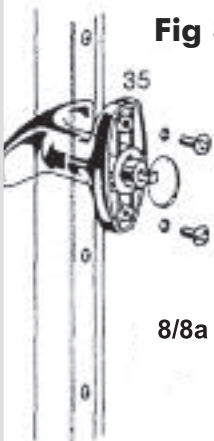


Fig 39

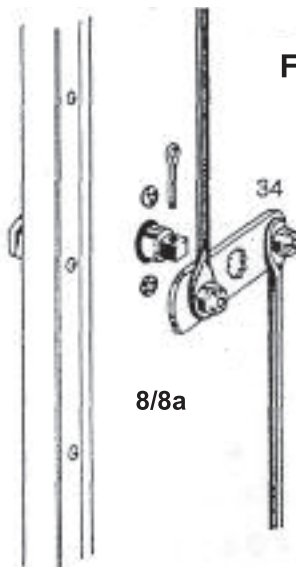
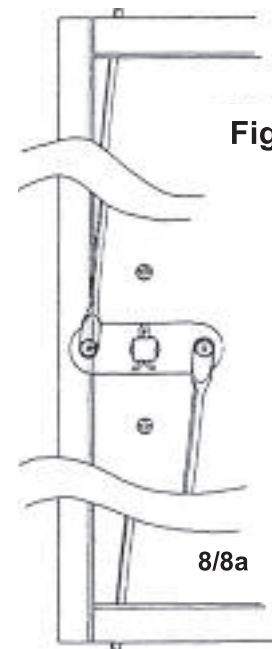


Fig 40



NOTE: ONCE THE SHED ASSEMBLY HAS BEEN COMPLETED ALL FIXINGS AND FASTENERS CAN NOW BE FULLY TIGHTENED.