

TRIMETALS

TITAN RANGE



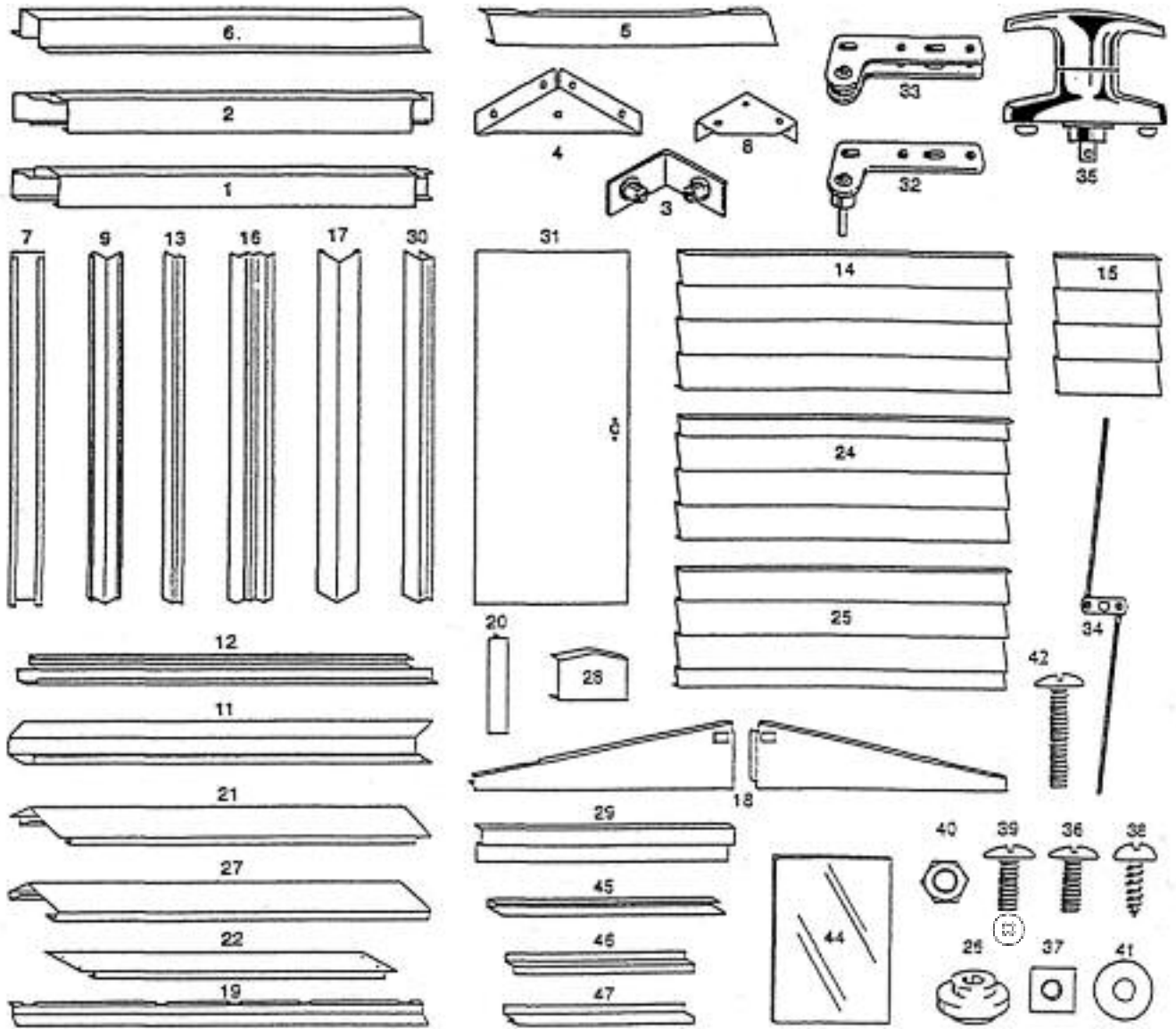
SHED ASSEMBLY INSTRUCTIONS

6 X 4ft = 190 x 150 cm

6 X 6ft = 190 x 190 cm

6 X 8ft = 190 x 255 cm

COMPONENT LIST



Component illustrations are given as a visual guide only and are not in proportion

PART NO.	PART NAME	Pair *	QTY	PER 6X4	SHED 6X6	SIZE 6X8	PART NO.	PART NAME	Pair *	QTY	PER 6X4	SHED 6X6	SIZE 6X8
1	FRONT / REAR BASE CHANNEL		2	2	2		25	LOWER ROOF PANEL		2	2	2	
2	SIDE BASE CHANNEL		2	2	2		26	SEALING WASHER		38	50	52	
3	BASE CORNER BRACKET		4	4	4		27	RIDGE BEAM		1	1	1	
4	BASE GUSSET		4	4	4		28	RIDGE BEAM END CAP		2	2	2	
5	BASE STEP		1	1	1		29	ROOF PANEL END TRIM *		4	4	4	
6	FLOOR SUPPORT CHANNEL (optional)		2	2	2		30	DOOR PILLAR COVER/SLAM		2	2	2	
7	SIDE / REAR POST		1	3	5		31	DOOR		1	1	1	
8	TOP GUSSET		4	4	4		32	BASE DOOR HINGE ASSEMBLY		1	1	1	
9	CORNER POST		4	4	4		33	TOP DOOR HINGE ASSEMBLY		1	1	1	
10	FLOOR PANEL (not illustrated)		2	2	2		34	DOOR BAR ASSEMBLY		1	1	1	
11	SIDE PANEL / ROOF SUPPORT		2	2	2		35	DOOR HANDLE		1	1	1	
12	FRONT / REAR GABLE SUPPORT		2	2	2		36	M5 ROOFING BOLT		94	94	114	
13	FRONT PANEL/DOOR PILLAR SUPPORT		2	2	2		37	M5 ROOFING BOLT NUT		102	114	142	
14	SIDE / REAR PANEL		9	9	9		38	SELF TAPPING SCREW		78	96	118	
15	FRONT PANEL - 494 mm long		5	5	5		39	STAINLESS STEEL ROOFING BOLT		46	62	78	
16	PANEL RETAINER		4	4	4		40	STAINLESS STEEL NYLOC NUT		12	12	20	
17	CORNER COVER		4	4	4		41	STAINLESS STEEL WASHER		12	12	20	
18	GABLE *		2	2	2		42	M5 X20mm EXTRA LONG BOLT		14	14	14	
19	DOOR / GABLE RAIN DEFLECTOR		2	2	2		43	N/A		-	-	-	
20	GABLE TRIM		2	2	2			WINDOW KIT					
21	RIDGE BEAM SUPPORT		1	1	1		44	WINDOW PANEL		1	1	1	
22	ROOF / RIDGE BEAM SUPPORT		2	2	4		45	SIDE FRAME		2	2	2	
23	WEATHER STRIP (not illustrated)		1	1	1		46	Z FRAME		2	2	2	
24	TOP ROOF PANEL		2	2	2		47	LOWER FRAME RETAINER		1	1	1	

Trimetals policy is one of constant improvement. We reserve the right to alter specifications outlined in this document without incurring any obligation.

TRIMETALS LTD. Sunrise Business Park, Higher Shaftesbury Road, Blandford Forum, Dorset DT11 8ST
Telephone: Blandford 01258 459441 Fax: 01258 480408

SHED ASSEMBLY INSTRUCTIONS

PLEASE READ BEFORE COMMENCING SHED CONSTRUCTION

1. Check box contents against the component list.
2. Read the instructions thoroughly.
3. We recommend securing the shed to a concrete base or paving slabs.
4. To avoid cuts and abrasions wear protective gloves.
5. Shed assembly should be undertaken by two people.
6. Precautions must be taken when siting sheds in exposed areas.
Always securely fix the base down, keep the door locked and when opening take extra care in high winds.

TOOLS REQUIRED

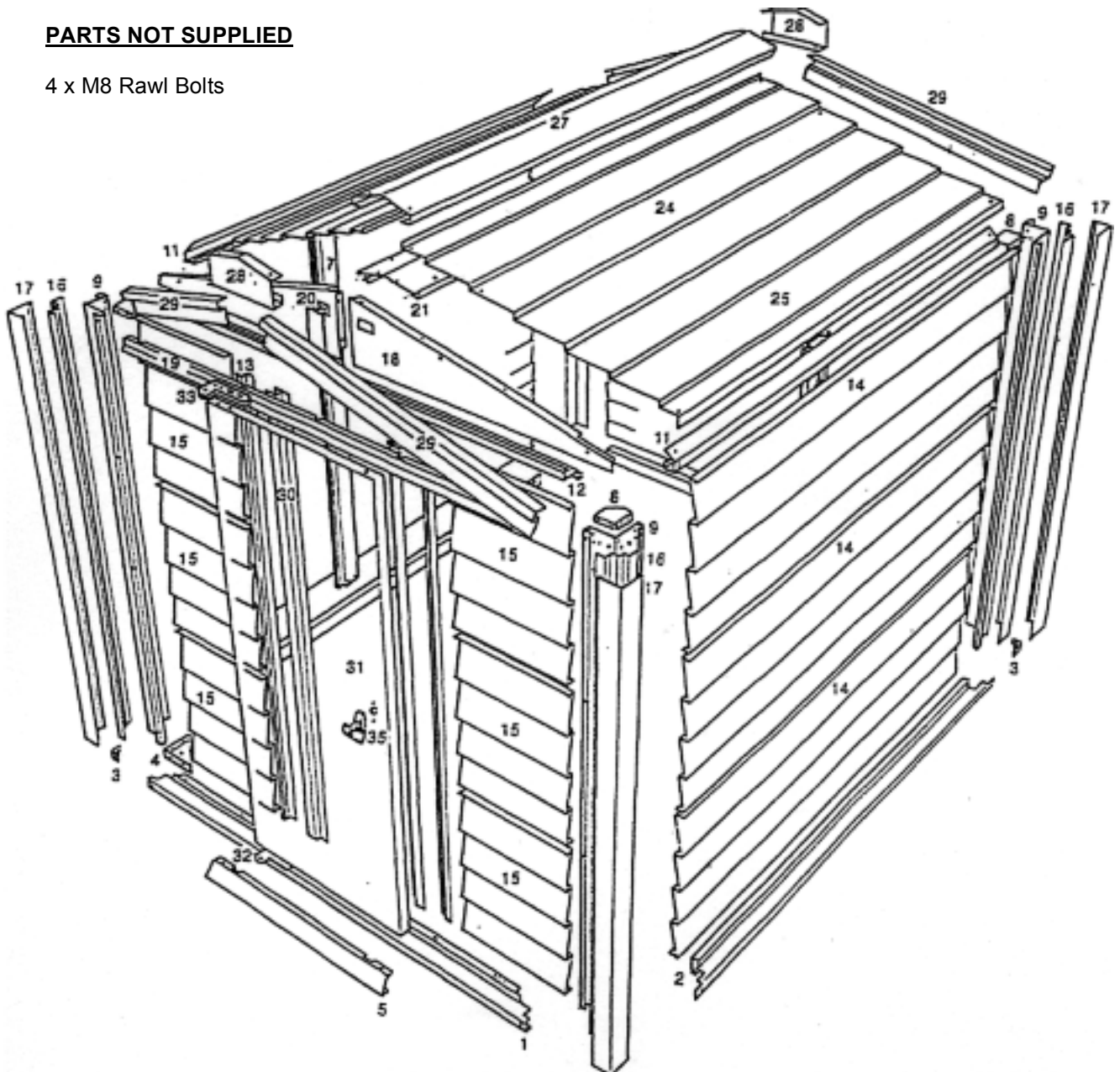
Large flat blade screwdriver 10 mm spanner

Large Philips screwdriver 8 mm spanner

(Electric drill and spanner for ground anchors)

PARTS NOT SUPPLIED

4 x M8 Rawl Bolts



SITE PREPARATION

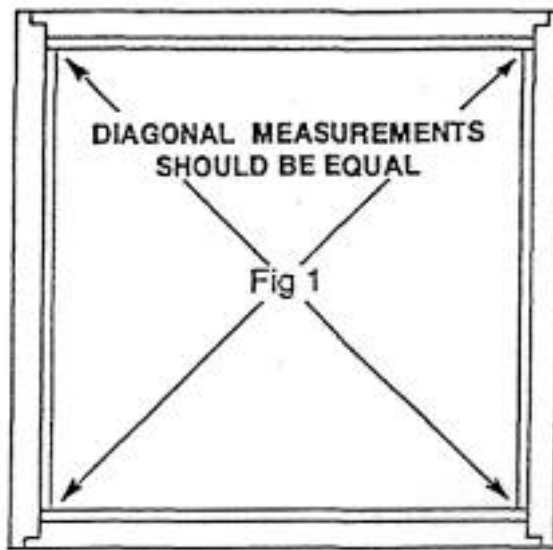
We recommend that all our sheds are sited and fastened to a concrete base (4" or 100 mm thick;) or to paving slabs.

BASE AREA REQUIRED

6 X 4 ft	=	1900mm Wide x 1500mm Long
6 X 6 ft	=	1900mm Wide x 1900mm Long
6 X 8 ft	=	1900mm Wide x 2550mm Long

For ease of assembly allow three feet (900 mm) of clearance around the shed free from obstructions.

NOTE:- THE CONCRETE OR PAVING SLAB BASE MUST BE FLAT AND LEVEL



All floors (10) are supplied in two parts and should be assembled after the shed is completed.

SECTIONAL VIEW OF FLOOR FITTING

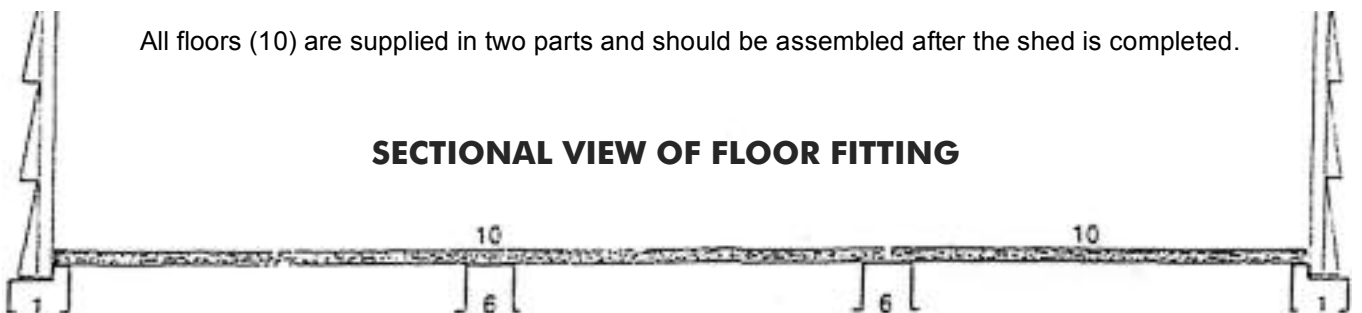


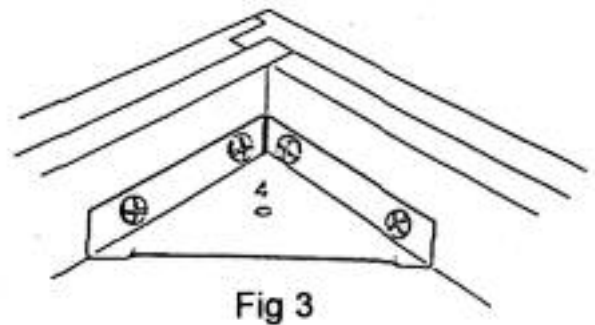
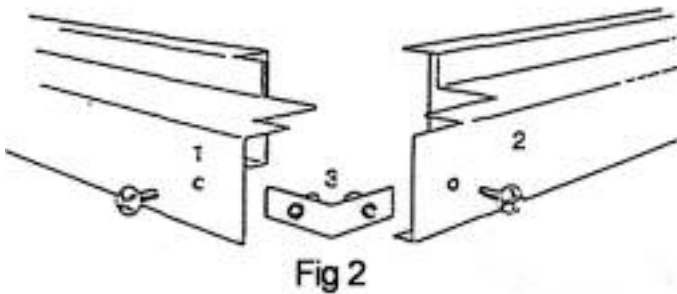
Fig 1a

SHED FLOOR SIZES

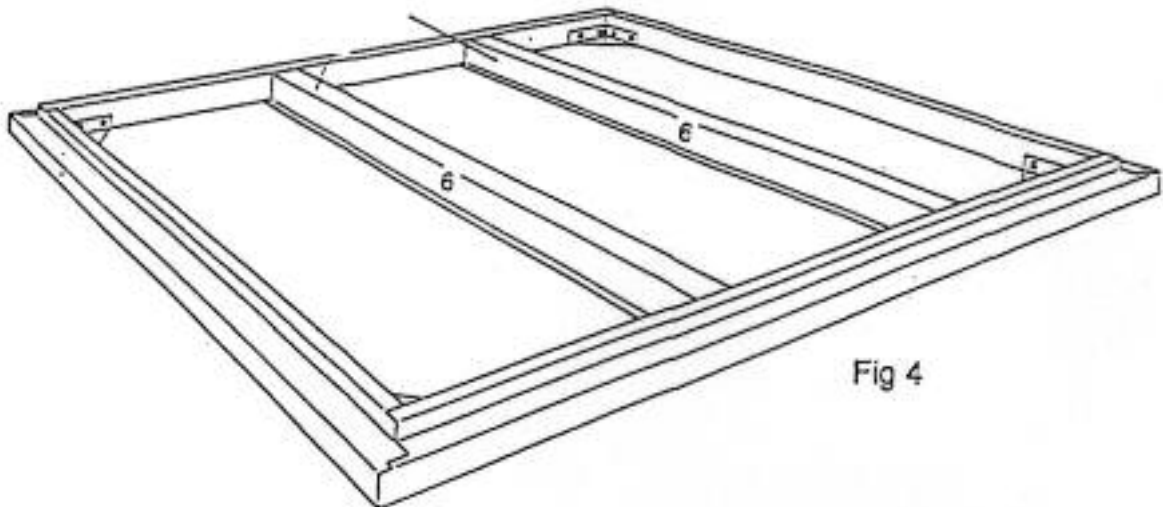
SHED SIZE		TOTAL FLOOR AREA	PART 1 SIZE	PART 2 SIZE
1900	6 x 4ft x 1500mm	1760 x 1314mm	1760 x 682mm	1760 x 632mm
1900	6 x 6ft x 1900mm	1760 x 1756mm	1760 x 1219mm	1760 x 537mm
1900	6 x 8ft x 2550mm	1760 x 2370mm	1760 x 1219mm	1760 x 1154mm

BASE ASSEMBLY

- 1a Identify the base components – Part No's (1) (2) (3) and (4). also M5 Roofing Bolts No (36).
- 1b Place all the components near your prepared base site.
- 1c Attach one base corner bracket (3) to each end of the two front/rear base channels (1), using M5 roofing bolts (36) as shown in Figure 2.
- 1d Secure the side channels to the front/rear channels to form a square.
- 1e Place the base onto the prepared site and attach the 4 base gussets (4) to each corner as shown in Figure 3.
- 1f Check the diagonals of the base to ensure it is square, as shown in Figure 1 and tighten all the bolts. Figure 4 shows the completed base with the optional floor supports in position.
- 1g We recommend that you attach the base frame to your site using M8 Rawl Bolts (not supplied) secured through the base gussets (4).



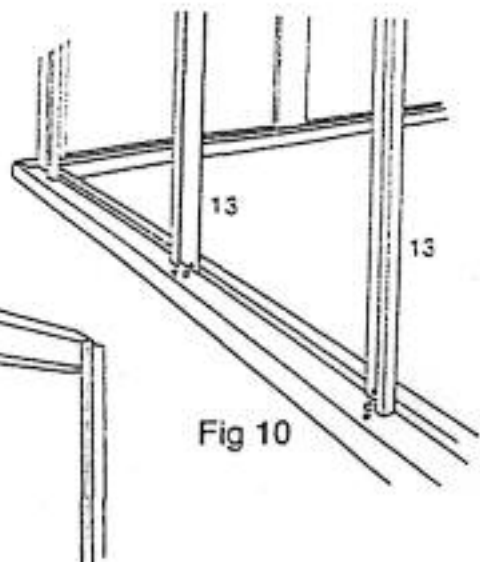
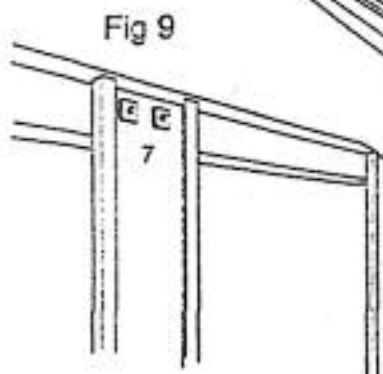
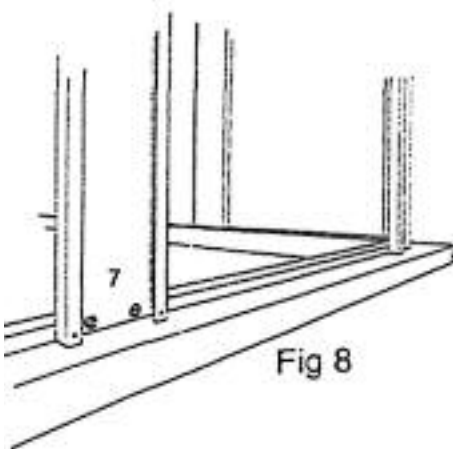
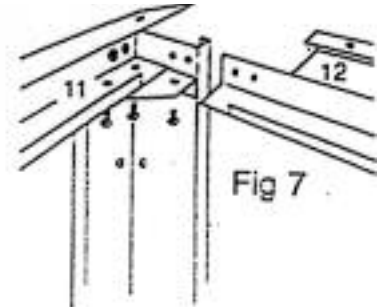
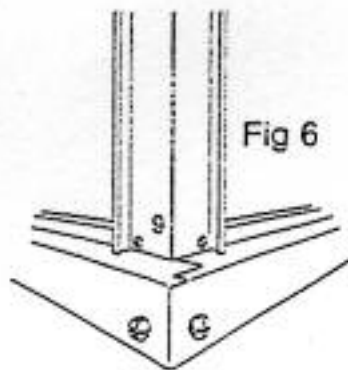
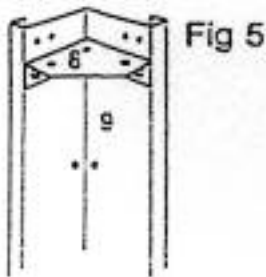
* OPTIONAL



* Note: Floor is fitted once complete shed assembly has been completed.
Floor fitting. Fit part 6 followed by wooden floor, as shown in Fig 1a.

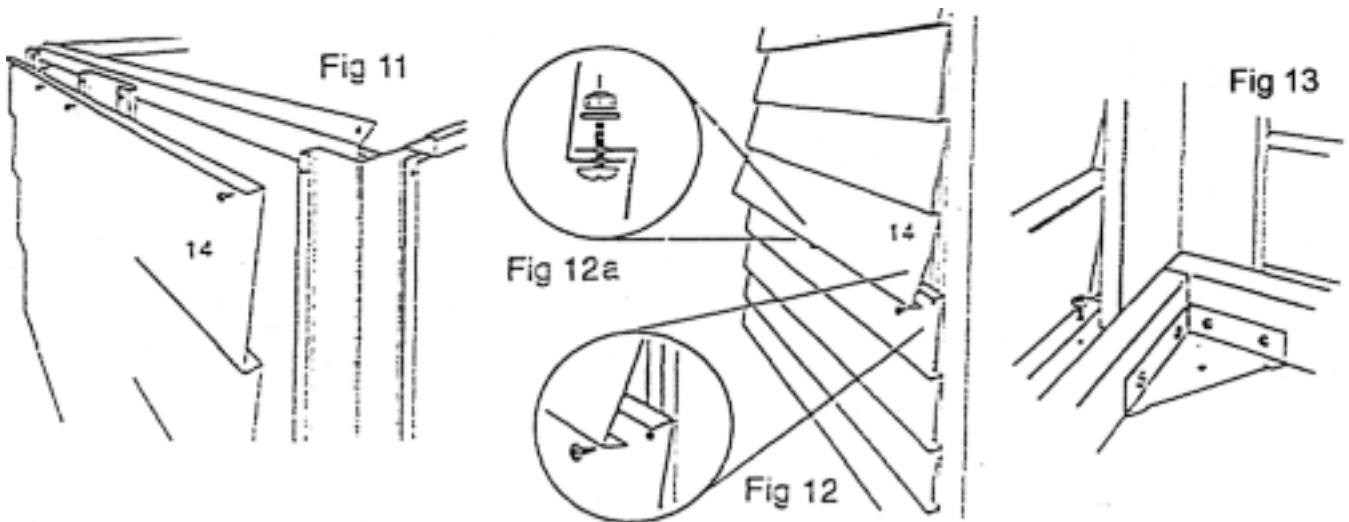
FRAME ASSEMBLY

- 2a Select the four Corner Posts (9) and attach to the top of each post one of the four Top Gussets (8) as shown in Figure 5 using nut and bolt (36) (37). DO NOT TIGHTEN.
- 2b Stand the corner post upright with the corner gusset at the top. Place the base of the corner post on top of the base assembly and fasten into position using two screws (38) as shown in Figure 6.
- 2c Identify the two Side Panels/Roof Supports (11) and place next to either side of the base and identify the two Front/Rear Gable Supports (12) and place one at the front and rear of the shed.
- 2d Attach the Side Panel/Roof Support (11) to the top of the Corner Post (9), each end resting on top of the gusset using M5 Nuts and Bolts (36) (37), as shown in Figure 7. Repeat this for the other side.
- 2e Attach one Front/Rear Gable Support (12) to the top of the Rear Corner Posts (9). The support (12) sits on top of the Side Panel Roof Support (11) and is secured into position using M5 Nuts and Bolts (36) (37) as shown in Figure 7. Repeat this operation for the rear of the Shed.
- 2f Attach the three Side/Rear posts (7) to the base, one at each side and one at the rear, using two screws (38) as shown in Figure 8 and attach to the Side Panel Roof Support (11) at the top of the two sides of the shed and to the Front/Rear Gable Support (12) at the rear if the shed as shown in Figure 9, using M5 Nuts and Bolts (36) (37).
- ** The 6X4 shed only has one Side/Rear post (7) which is fitted to the rear of the shed.
- ** The 6X6 shed as drawn.
- ** The 6X8 shed has five Side/Rear post (7) two fitted to either side, and one at the rear of the shed.
- 2g Select the two Front Panel/Door Pillar Supports (13) and attach to the front of the shed as shown in Figure 10. The base is secured using screws (38) and the top is secured with M5 Nuts and Bolts (36) (37).

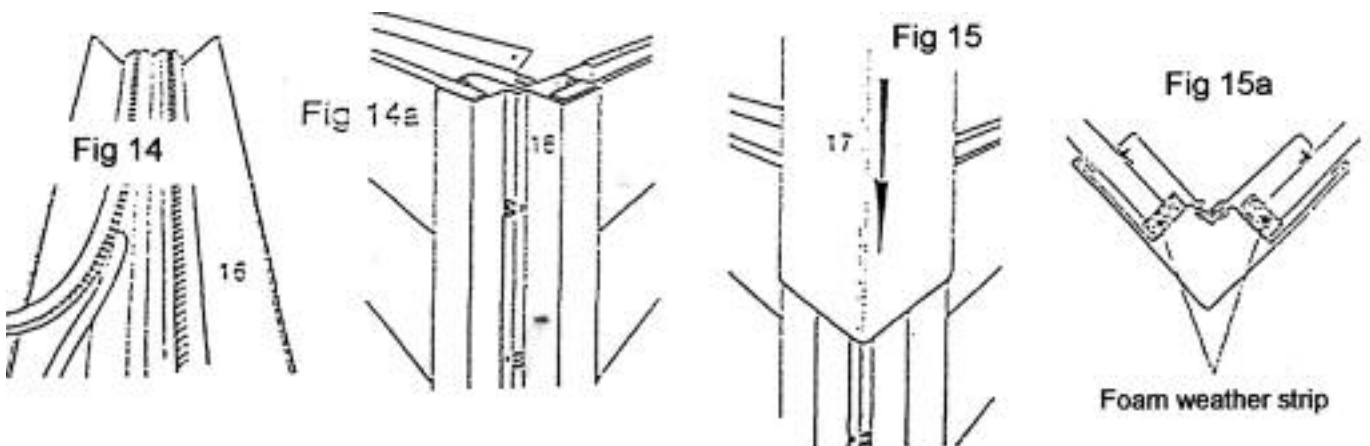


CLADDING

- 3a Carefully select a Side/Rear Panel (14) and, starting at the top of the shed, screw the Panel to the Corner Posts (9) as shown in Figures 11 & 12.
 - 3b The next panel is slid into position and hangs on the base of the first panel and is then secured into position as shown in Figure 12 using screws (38). Affix the base panel in the same manner.
 - 3c Both the side and rear is assembled in the same way. Once the sides and rear are clad, secure the middles of the panels to the Side/Rear Post (7).
 - 3d Fasten all the panels to the panel above using the Roof Bolt (39), Nut (40) & Washer (41) inserted from the outside in the centre of each panel, as shown in Figure 12a. Two per panel.
 - 3e NOTE: Before cladding the front of the shed decide which side of the door the window is required. Fit two panels only to the side with the window starting with the middle panel and then the base panel. Now clad the other side of the doorway using the three remaining Front panels. None of the front panels have centre fixing holes.
- ** NOW PROCEED TO SECTION 8 ON PAGE 10 FOR WINDOW FITTING INSTRUCTIONS



- 3f Select the four Panel Retainers (16). Stick the foam weather strip (23) down the full length of the four panel retainers as shown in Figure 14.
- 3g Attach the Panel Retainers (16) to the corner of the shed shown in Figure 14a using M5 x 20mm Extra Long Bolt/Nut (42). Repeat for the other corners of the shed. Note the position of the bolts alternating screw position down the length of the retainer.
- 3h Select four Corner Covers (17) and slide into position on the four corners as shown in Figure 15 & 15a.

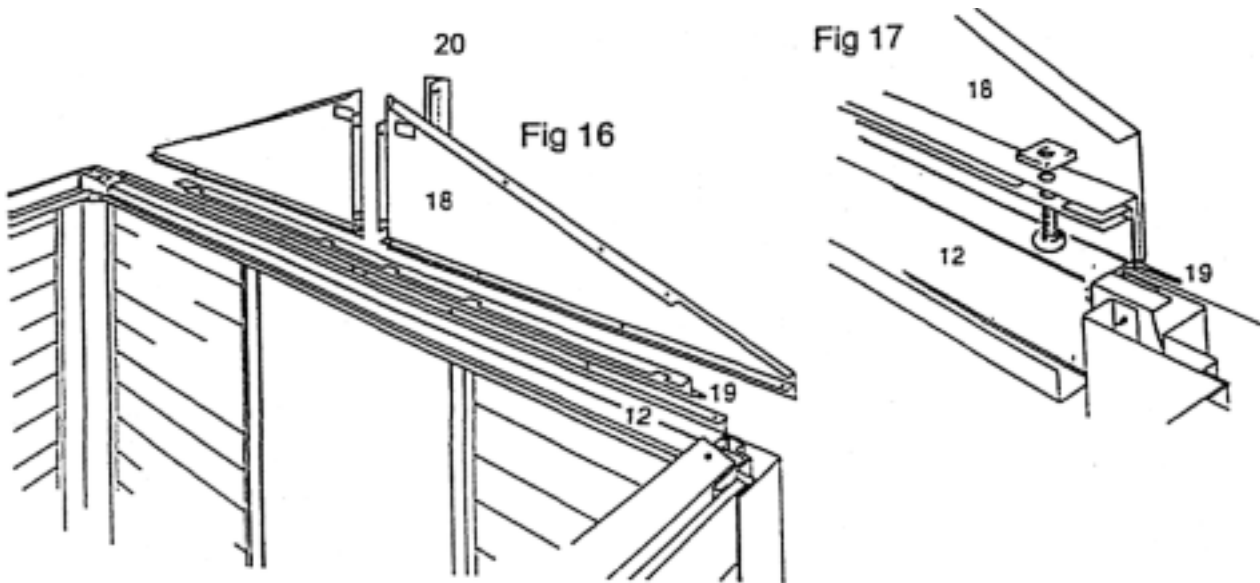


GABLE ASSEMBLY

- 4a Locate the two pairs of Gables (18), the Door/Gable Rain Deflector (19) and the Gable Trim (20). Place one Door/Gable Rain Deflector on top of the Front/Rear Gable Support (12). Attach one pair of Gables (18) loosely to the Front/Rear Gable Support (12) at the front of the shed using Bolts (36) (37) as shown in Figures 16 & 17.

Ensuring the Door/Gable Rain Deflector (19) is sandwiched between the Gable (18) and the Front/Rear Gable Support (12). Slot the Gable Trim between the two Gables (18) and secure the M5 Nuts & Bolts (36) (37). The bottom of the Gables (18) can now be secured.

- 4b Repeat for the Front Gable Assembly.

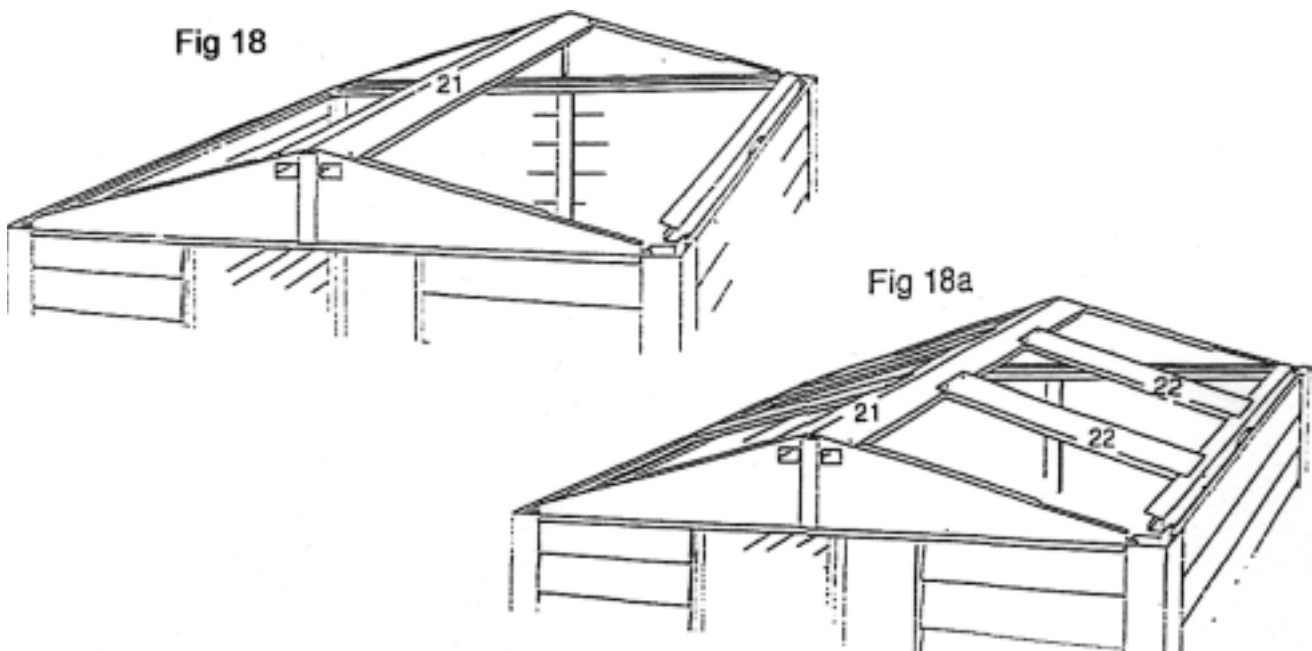


ROOF ASSEMBLY

- 5a Place the Ridge Beam Support (21) on top of the two Gables (18) and secure into position using two M5 Nuts & Bolts (36) (37) each end as shown in Figure 18.

6X8 SHED ONLY Position two Roof Supports (22) on top of the Side Panel/Roof Support (22) and the Ridge Beam (27). Fix the top of the Roof Support (22) to the Ridge Beam using two M5 Nuts and bolts (36) (37), do not fix the bottom. Repeat for the other side of the roof. As shown in Figure 18a.

6X4 and 6X6 Shed uses one Roof Support (22).

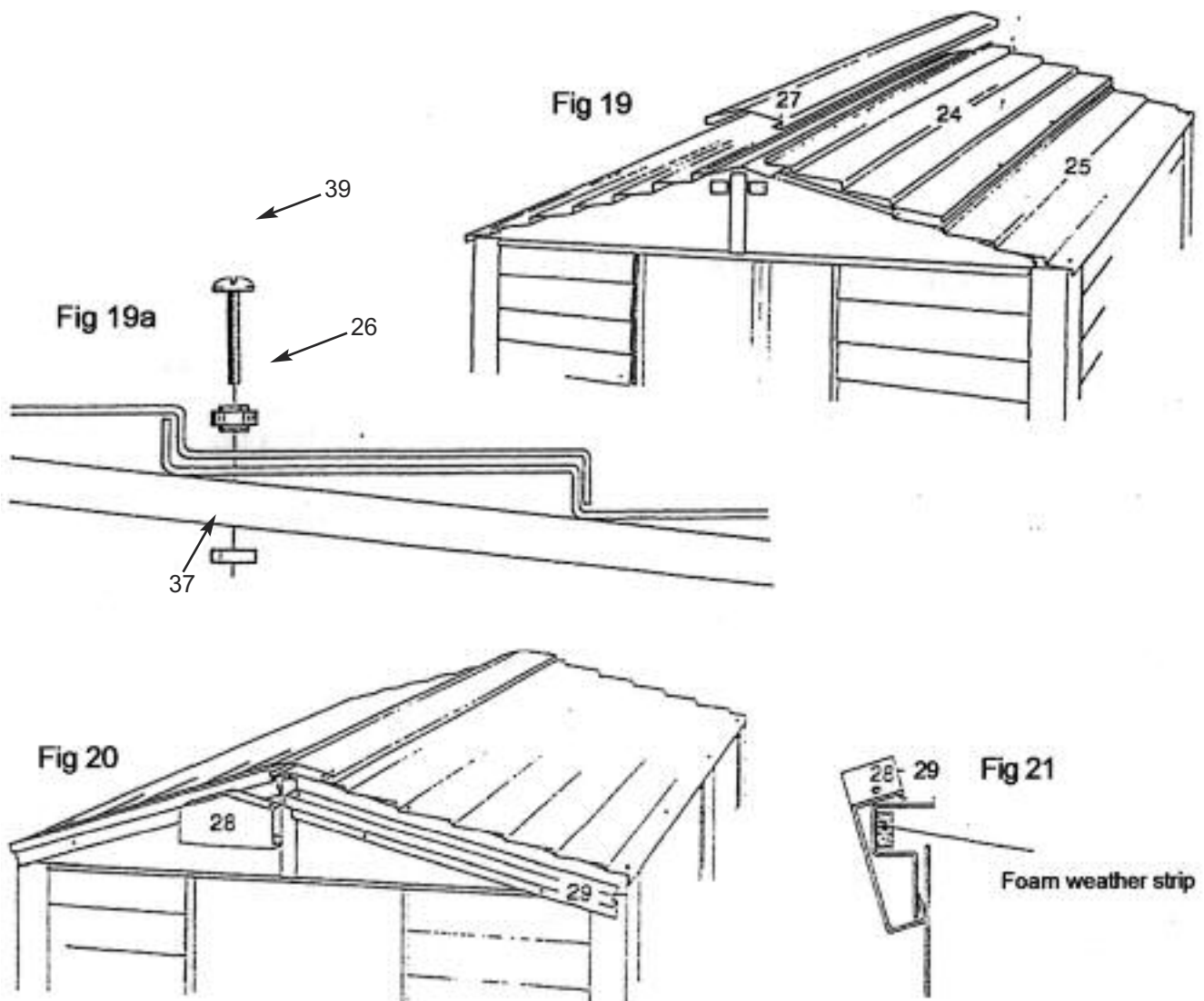


ROOF ASSEMBLY CONTINUED

- 5b Carefully lift the Bottom Roof Panel (25) into position resting it on top of the Gables (18) each end and the Side Panel/Roof Support (22) as shown in Figure 19. Fix the bottom of the panel at each end only using a Stainless Steel Bolt (39) and Nut (37) with a Sealing Washer (26) fitted underneath the head as shown in Figure 19a.

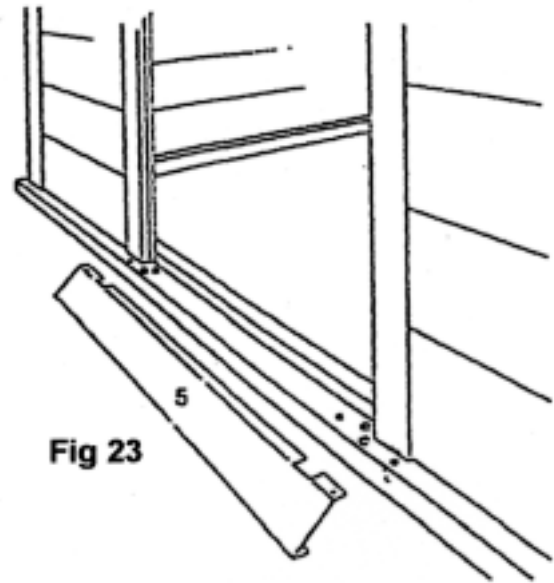
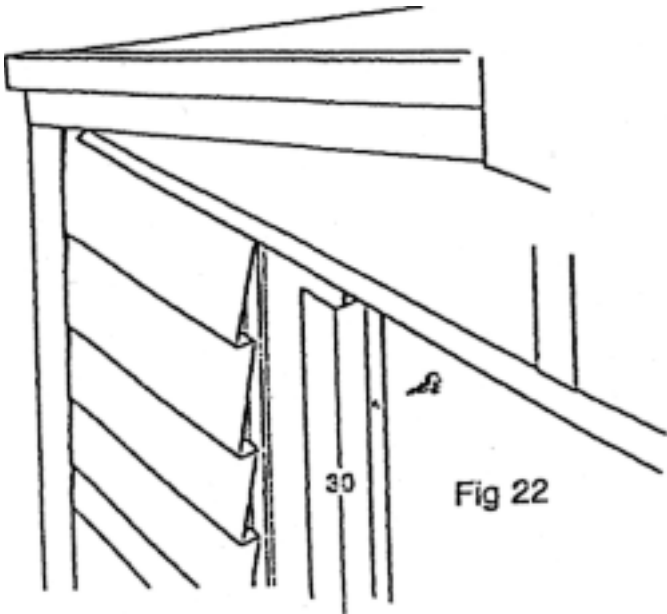
IT IS VERY IMPORTANT TO USE SEALING WASHERS (26) FOR ROOF FIXING.

- 5c Lift the Top Roof Panel (24) into position resting it on the Ridge Beam Support (22) and Bottom Roof Panel (25) which it overlaps by one full rib as shown in Figure 19. Fasten into position using the Stainless Steel Bolts with Washers (39) (26) to the Gable (18) and Ridge Beam Support (21) using the top holes only.
- 5d Repeat 5c for the other side of the roof assembly.
- 5e Secure roof using Stainless Steel Nuts and Bolts (37) (39) ensuring Sealing Washers (26) are used.
- 5f Fit Weather Strip (23) into the full length of the channel inside the Roof Panel End Trims (29) Figure 21. Fit trims to the front end of the roof as shown in Figure 20 using Nuts/Bolts (37) (39). Lift the Ridge Beam (27) on to the two Top Roof Panels (24).
- 5g Slide the Ridge Beam End Cap (28) onto the Roof Panel End Trim (29) and fasten to the Ridge Beam (18) Self Tapping (38) as shown in Figure 21.
- 5h Repeat 5g for the rear of the shed.

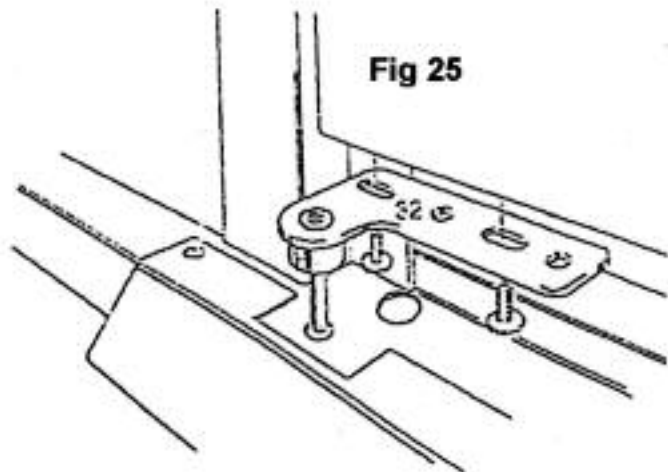
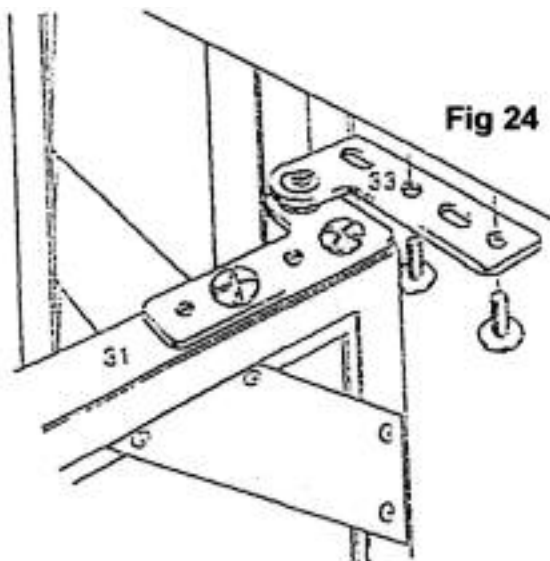


DOOR & DOORWAY FITTINGS

- 6a Select the two Door Pillar Cover/Slam Pieces (30) and slot one onto the left hand Door Frame and one to the right hand frame. Secure into position inside the shed using 3 Screws (38) on each as shown in Figure 22.
- 6b Fit the Door Step (5) to the front base (1) as shown in Figure 23. Using two Self Tapping Screws (38).

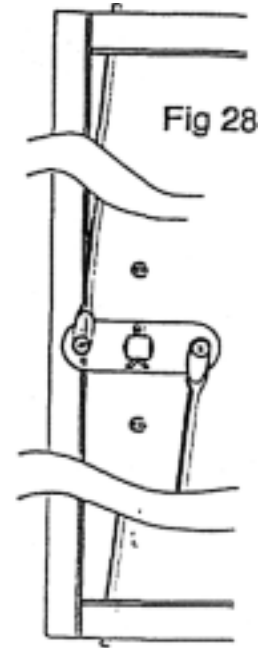
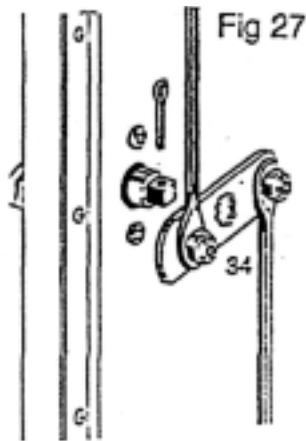
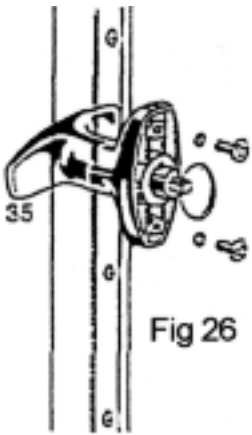


- 6c Carefully lie the Door (31) on a flat surface and select the Top Hinge Assembly (33) and attach to the Door using two Stainless Steel Bolts (39) as shown in Figure 24.
- 6d Fit the Bottom Hinge Assembly (32) to the bottom of the Door (31) using Bolts (39) as shown in Figure 25.
- 6e Lift the Door Assembly and position the Bottom Hinge Pivot (32) in the hole on the base next to the Door Pillar (38). Holding the Door (31) upright and open, slide the top hinge under the Gable Support (12) and fit the retaining Bolts (39) as shown in Figures 24 and 25.
- * If a left hand opening Door is required, please let us know, and a right hand Base Hinge will be supplied.



DOOR BAR & HANDLE FITTING

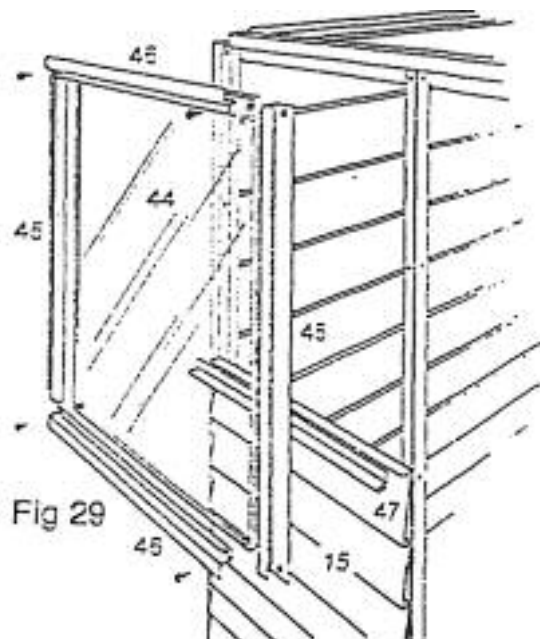
- 7a Locate the Door Handle (35) and the Door Bar Assembly (34).
Fit the Door Handle to the Door as shown in Figure 26.
- 7b Push the Door Bar up through the top hole in the Door and down through the bottom hole as shown in Figure 27 and 28.
Push the Retaining Plate onto the Door Handle Spigot and fix into position using a Split Pin provided.



ONCE THE SHED ASSEMBLY HAS BEEN COMPLETED ALL FIXINGS AND FASTENERS CAN NOW BE FULLY TIGHTENED.

WINDOW FITTING OPTIONAL

- 8a Remove plastic coating from Window Panel (44).
Fit Bottom Frame Retainer (47) to the top of Front Panel (15).
Hold the Window Panel (44) in place.
- 8b Fit Z Frames (46) to the top and bottom of the Window.
Fit the two Side Frames (45) over the Window Panel and Z Frames, as shown in Figure 29.
Secure with four Self Tapping Screws (38).
- ** NOW CONTINUE WITH SECTION 3F ON PAGE 7



TRIMETALS LTD.

Sunrise Business Park, Higher Shaftesbury Road
Blandford Forum, Dorset DT11 8ST

Tel: **01258 459441** • Fax: **01258 480408**

www.trimetals.co.uk