

INSTALLATION GUIDE

Plan & Prepare

Acclimatize the plank or tile: LVT shrinks and expands as the temperature changes. The planks or tiles must be left for 24-48 hours at room temperature before laying. Mix the planks or tiles: Every colourway has a unique design, this design will run across several planks or tiles. To ensure that you have a more natural look to your finished floor, always mix the planks or tiles from several packs before laying. Always ensure that the surface area is clean and free of any rubbish or debris.

Check the Substrate

Using a spirit level or straight edge, check that the floor is level in both directions at random points across the floor. Measure the biggest gap and ensure it is no bigger than 5mm within a 3 metre or 10ft area.

Plan the Layout

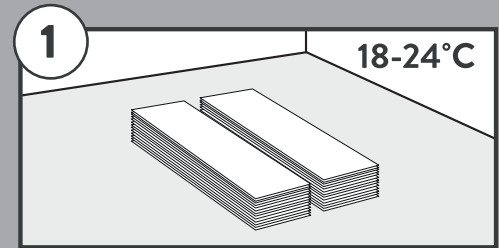
To give you a sense of what the overall floor will look like, it is best to have a 'dry run', where you lay out a large number of planks or tiles. As LVT is lightweight, the boards can easily be moved around to give you the best overall effect. Most rooms are not perfectly square, it is easy to notice planks and tiles that are cut on an angle. This is particularly obvious at doorways. To achieve a more professional finish, it is better to move the problem elsewhere within the room where its less visible.

Installation Tips

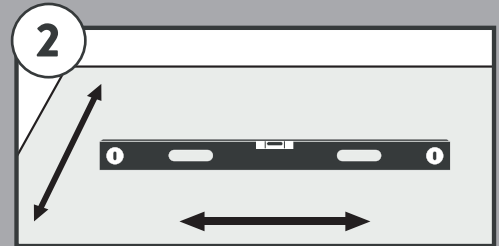
Always leave an expansion gap between the plank or tile and the wall. Either use an expansion strip or spacer as a guide.

Cutting

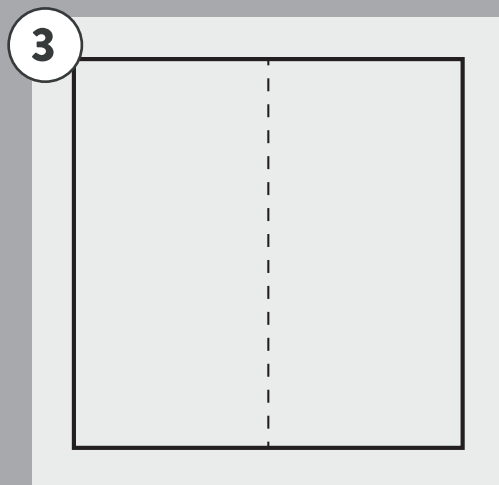
Score the plank or tile 2-3 times with a knife (a concave bladed knife is better to use on vinyl flooring) and then snap. It is easier to snap the board on the edge of a table or worktop. As the planks and tiles have integrated underlay this will need cutting separately. An LVT cutter is another way of cutting LVT, this is a much faster method.



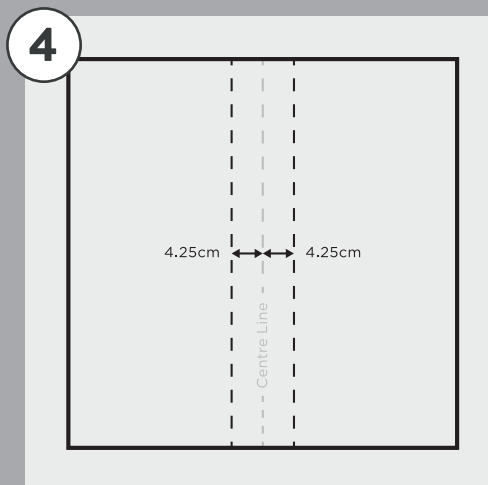
Acclimatize the plank or tile



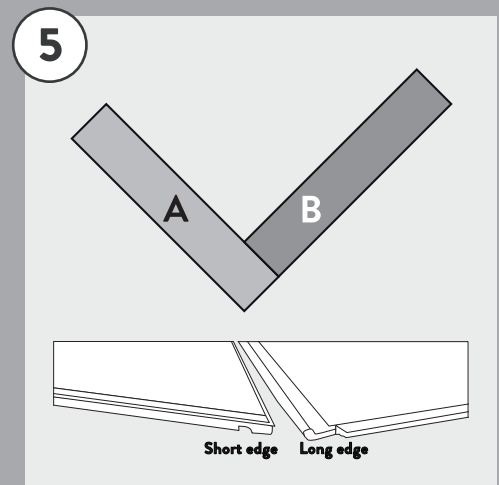
Check the floor is level in both directions at random points



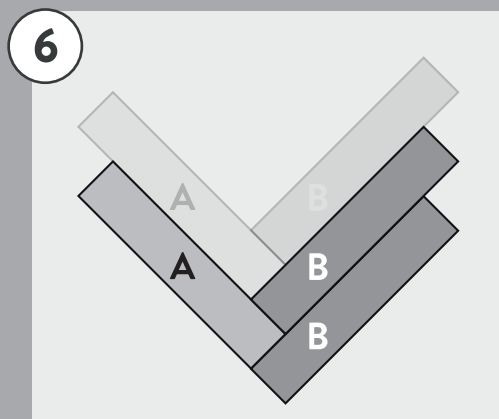
Measure the centre point of the room and draw a line on the substrate lengthways down the centre of the room.



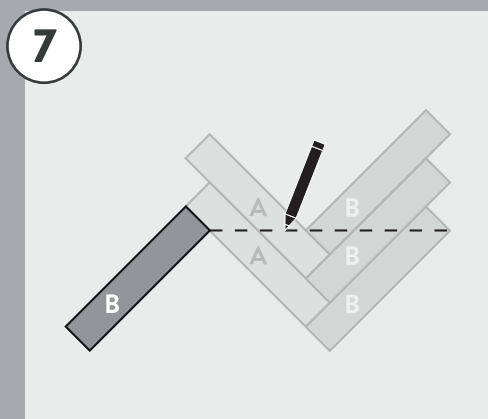
Measure 4.25cm either side of the centre line, and draw these lines onto the substrate.



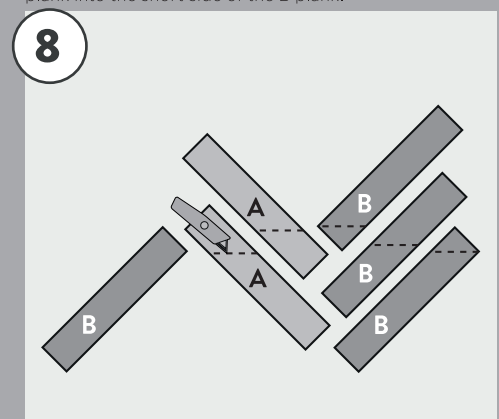
Separate A and B planks into piles. Each plank is identified by an A or B mark on the click joint on the underside of each plank. Take an A and a B plank and click the end of the A plank into the short side of the B plank.



Then attach a B plank followed by an A plank and repeat until you have 3 B's on the right and 2 A's on the left as shown above.



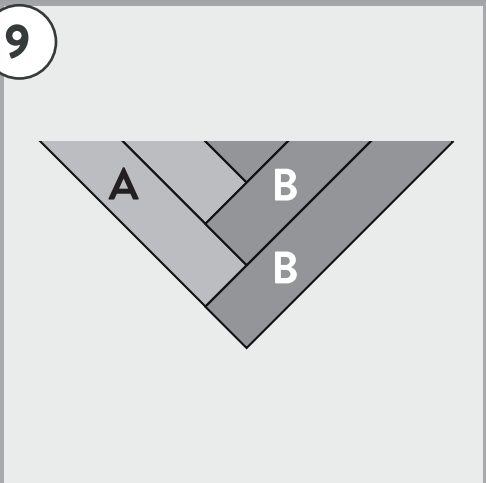
Fit another B plank as above and mark a straight line across the planks with a pencil as shown. This is your cutting line for the starting triangle.



Unclick the planks in the reverse order from how they were assembled. Once unclicked, we recommend keeping the planks close to the position they were in when assembled to help with reassembling. Cut across the marked lines.

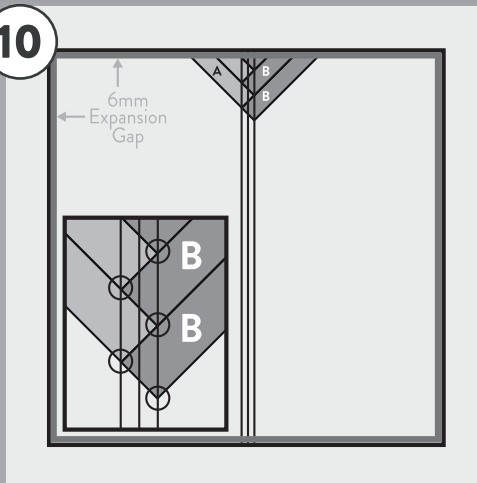
INSTALLATION GUIDE

9



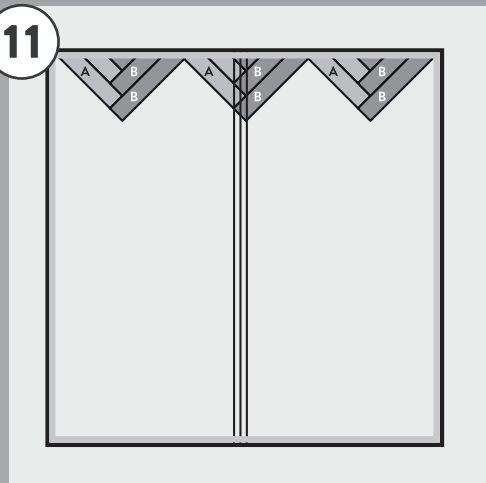
Click the pieces back together in the same order as step 4, starting with the inner planks. This will create your first triangle.

10



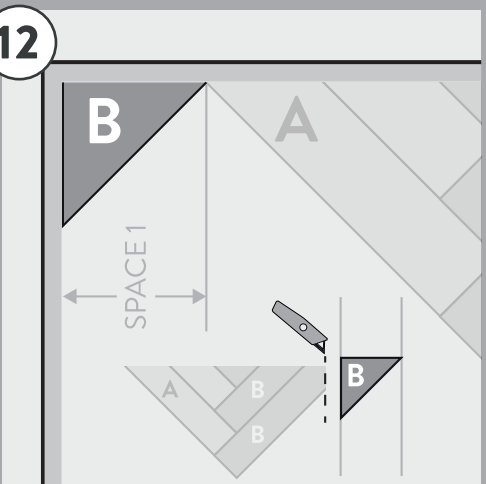
Place the first triangle so that the corners of each plank run exactly along the two outer lines drawn on the substrate. This will ensure the flooring is central to the room. Ensure a 6mm expansion gap is left between the base of the triangle and wall.

11



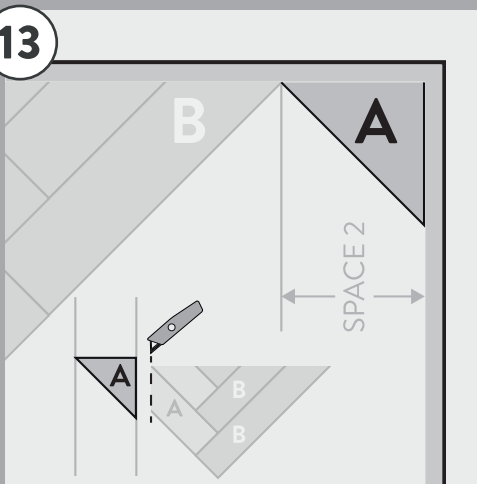
Repeat steps 3-7 and place the triangles side by side working out from the centre triangle. It is essential that the centre triangle points remain on the lines drawn, as instructed in step 8.

12



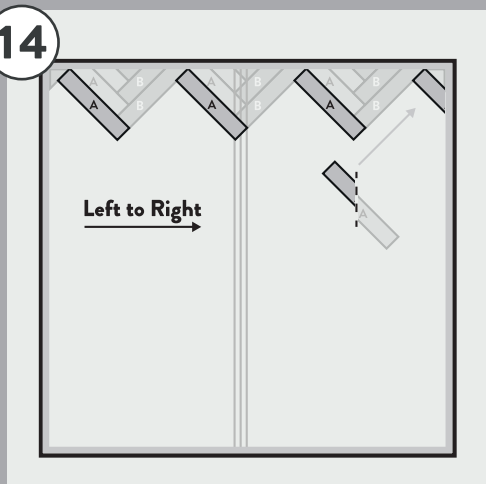
For the corners, create a further triangle, or two if required, following steps 3-7. Measure the distance between the left wall and the edge of the triangle furthest left, ensuring a minimum of 6mm expansion gap will be left (space 1). Mark this space on the right hand side of your new triangle as shown using a set square.

13



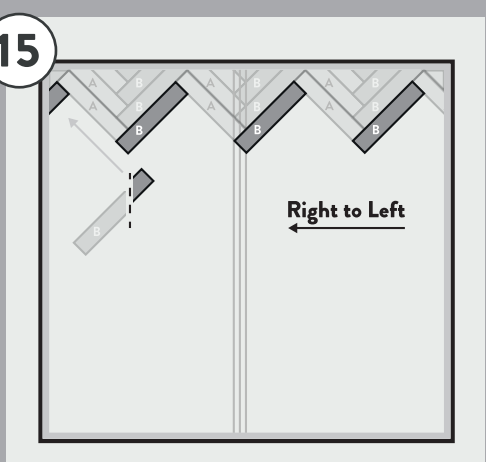
Then measure the distance between the right wall and the edge of the triangle furthest right, ensuring a minimum of a 6mm expansion gap will be left (space 2). Mark this space on the left of your new triangle as shown. Cut the planks along the marks and place into the relevant corner.

14



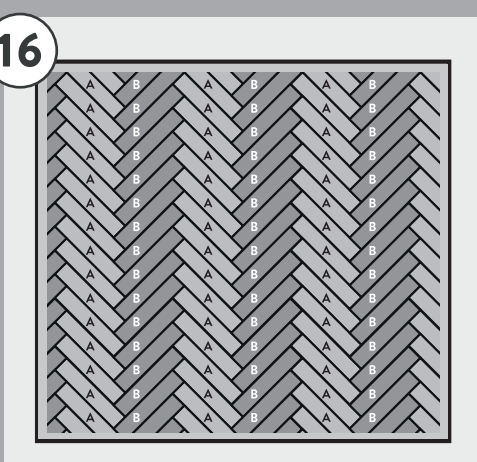
Now work from left to right, clicking in only A planks. The point of the A plank on the centre triangle should line up with the left line drawn on the substrate. For the final A plank against the wall, measure from the inner point of the triangle corner, to the outer wall ensuring a 6mm expansion space will be left. Take an A plank and mark this measurement. Use one of the previous off cuts to mark a line at a 45 degree angle on the plank & cut. Click the cut piece into place.

15



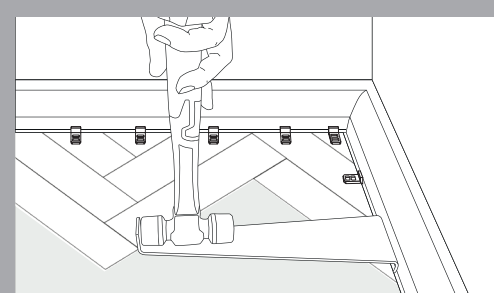
Now work from right to left, clicking in only B planks. The point of the B plank fitted to the centre triangle should be in line with the right line drawn on the substrate. For the side panel follow step 12, but with a B plank.

16

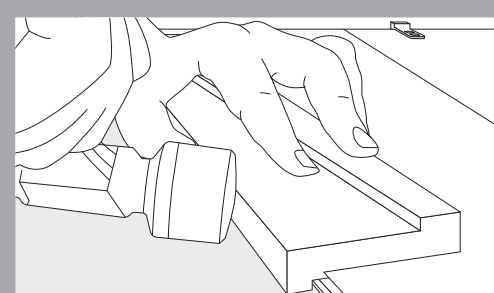


Repeat steps 12 & 13 until you reach the other end of the room. When completing the final rows, measure, cut and click together the planks accordingly in the same way as step 12 & 13 to complete the room.

For full instructions, please see krausflooring.co.uk



WE RECOMMEND USING A PULL BAR TO FULLY LOCK THE FINAL PIECE OF EACH ROW INTO PLACE.



WE RECOMMEND USING A DOUBLE LIPPED TAPPING BLOCK & RUBBER Mallet TO FULLY LOCK EACH PLANK INTO PLACE.