



51 cm (20") Self-Propelled Petrol Lawnmower **WER21HW4**

1938325001

en - Original Instructions

ASSEMBLY REQUIRED

Save these instructions

Sales & Support: 01793 333212

Before use please read & understand this manual; paying particular attention to the safety instructions before use.

Incorrect use of the product could put the operator or machine in danger.

Whilst every effort has been made to ensure the accuracy of information contained in this manual, our policy of continuous improvement determines the right to make modifications without prior warning.

Images are used for illustration purposes only.



INSTRUCTION MANUAL



14 Feb 2022

Copyright Notice

Copyright © Handy Distribution

Permission is granted to reproduce this publication for personal & educational use only.

Commercial copying, redistribution, hiring or lending is prohibited.

No part of this publication may be stored in a retrieval system or transmitted in any other form or means without written permission from Handy Distribution.

In all cases this copyright notice must remain intact.

INTENDED USE
SAFETY INSTRUCTIONS
SPECIFICATIONS
KNOW YOUR MACHINE
ASSEMBLY
OPERATION
MAINTENANCE, CLEANING & STORAGE
TROUBLE SHOOTING
PARTS DIAGRAM & LIST
DECLARATION OF CONFORMITY
WARRANTY

INTENDED USE

This machine is to be used exclusively for cutting natural grass in private homes and hobby gardens. Never use the mower for other purposes. Any other use can endanger for your safety and can involve damage to the mower.

Persons under 16 years of age and persons who are not familiar with the user instructions must not use the mower.

The user is responsible of the safety of other people in the working area. Keep children and domestic animals at a safe distance while the mower is in use.

Before mowing, remove all foreign objects from the lawn which may be thrown by the machine, stay alert for any foreign objects which may have been missed.

These operating instructions must be kept and referred to in order to ensure that the equipment is properly used and maintained. The instructions contain valuable information on operating, maintenance and servicing conditions.



WARNING

The equipment is to be used only for its prescribed purpose. Any other use is deemed to be a case of misuse. The user/operator and not the manufacturer will be liable for any damage or injuries of any kind caused as a result of this.

Please note that our equipment has not been designed for use in commercial, trade or industrial applications. Our warranty will be 90 days from the original date of sale for commercial, trade or industrial businesses or for equivalent purposes.



INSTRUCTION MANUAL

SAFETY INSTRUCTIONS

Read and understand the owner's manual and labels affixed to the machine. Learn its application and limitations as well as the specific potential hazards. Retain these instructions for future reference. The operator is responsible for following the warnings & instructions in this manual and on the product.

	<p>Read & understand operator's manual before using the machine. Failure to follow instructions could result in death or serious injury. Please keep in a safe place for future reference.</p>		<p>Always wear eye and ear protection</p>
	<p>Keep all bystanders & animals away from the machine during operation. If approached, stop the machine immediately.</p>		<p>Always wear gloves to protect your hands. SHARP ROTATING BLADE</p>
	<p>Risk of Carbon Monoxide Poisoning. Ensure working area is correctly ventilated.</p>		<p>Wear foot protection or sensible shoes when using the machine</p>
	<p>Fire Risk Fire and its vapors are extremely flammable & explosive. Fire or explosion can cause severe burns or death. Never refuel while the engine is running</p>		<p>Do not expose to rain or damp conditions.</p>
	<p>No smoking</p>		<p>Do not use near a flame, or sparks</p>
	<p>Hot Surface. Running engines produce heat. Engine parts, especially the exhaust, become extremely hot. Severe thermal burns can occur on contact</p>		<p>Moving Parts - Risk of Injury Rotating parts can contact or entangle hands, feet, hair, clothing or accessories. Traumatic amputation or severe laceration can result</p>
	<p>Keep guards in place and in working order. Replace damaged, missing or failed parts before using it.</p>		<p>Safety alert symbol. Used to alert you to potential personal injury hazards. Obey all safety messages that follow this symbol to avoid possible injury.</p>
	<p>Indicates an imminently hazardous situation which, if not avoided, will result in serious injury</p>		<p>Indicates a potentially hazardous situation which, if not avoided, could result in serious injury</p>
	<p>Indicates a potentially hazardous situation which, if not avoided, may result in minor or moderate injury.</p>	<p>CAUTION</p>	<p>Used without the safety alert symbol indicates a potentially hazardous situation which, if not avoided, may result in property damage.</p>
	<p>CE Marking - the product meets demand and regulations set by the EU</p>		<p>Noise Level - See label on machine</p>

GENERAL SAFETY RULES



Before you put the machine into operation, you must read this instruction manual. When using this machine, observe the following safety instructions to exclude the risk of personal injury or material damage. Please also observe the special safety instructions in the respective chapters. Where applicable, follow the legal directives or regulations for the prevention of accidents in relation to the use of this machine.



WARNING

When using petrol tools, basic safety precautions, should always be followed to reduce the risk of serious personal injury and/or damage to the unit.

TRAINING



The operator must receive proper training in the use, adjustment and operation of the machine, including prohibited operations.

1. Read the instructions carefully. Be familiar with the controls & proper use of the equipment. Spend time to familiarise yourself with your machine before each use.
2. Never allow children or people unfamiliar with these instructions to use the machine. Local regulations can restrict the operator age.
3. This machine is not intended for use by persons (including children) with reduced physical, sensory or mental capabilities, or lack of experience and knowledge, unless they have been given supervision or instruction concerning use of the machine by a person responsible for their safety.
4. Never work while people, especially children, or pets are nearby.
5. The operator or user is responsible for accidents or hazards occurring to other people or their property.

SAFETY INSTRUCTIONS FOR WORKING WITH LAWNMOWER

1. Do not leave engines running in enclosed spaces, where dangerous carbon monoxide could accumulate.
2. Operate in daylight or good artificial lighting. If possible, do not use on overly wet ground.
3. Ensure good stability on slopes. Always operate across the slope, never up and down.
4. Be particularly careful if changing direction of travel on the slope.
5. Do not operate on steep slopes.
6. Operate whilst walking, do not run.
7. Be particularly careful when you turn or when you pull the machine towards you.
8. Stop the engine and blade, if it is to travel across other areas or must be transferred to/from working area.
9. Never use the machine with damaged safety protection guards.
10. Do not change the engine regulation set up. (This should only be undertaken by a skilled technician).
11. Carefully start the engine. Keep your feet clear of the blade.
12. Never reach behind or under the rotating parts with hands or feet.
13. Never lift or carry the machine while the engine is on.
14. Switch the engine off and remove the spark plug cap out before unblocking or removing obstacles from the blade or exit chute:
 - Before releasing blockages, inspecting, cleaning or working on the machine.
 - After hitting an obstruction. Search for damage on the machine & make repairs as necessary. If the machine starts vibrating unusually, it should be inspected by an Approved Webb Service Dealer.



INSTRUCTION MANUAL

15. Switch the engine off:
 - If you remove blockages from the machine.
 - Before refueling.

WORK AREA

1. Keep work area clean and well lit. Cluttered and dark areas invite accidents.
2. Check the landscape where the machine will be used and remove all objects such as stones, toys, sticks and wires, which could be caught and thrown away from the work area. Damage of the machine or operator's injury could be caused.
3. Do not operate this machine in explosive atmospheres, in the presence of flammable liquids, gases or dust. Machines create sparks which may ignite the dust or fumes.
4. Keep children & bystanders away while operating the machine. Distractions can cause you to lose control.

PERSONAL SAFETY

1. This machine is not intended for use by persons (including children) with reduced physical, sensory or mental capabilities, or lack of experience and knowledge, unless they have been given supervision or instruction concerning use of the machine by a person responsible for their safety.
2. Children should be supervised to ensure that they do not use or play with the machine.
3. Stay alert, watch what you are doing and use common sense when operating this machine.
4. Do not use this machine while you are tired, ill or under the influence of drugs, alcohol, or medication. A moment of inattention while operating this machine can cause you to lose control & may result in serious personal injury.
5. Do not overreach. Always keep proper footing and balance. This enables better control of the tool in unexpected situations.
6. Remove any adjusting tools before turning the machine on. A tool that is left attached to a rotating part of the machine may result in personal injury.
7. Use safety equipment. Always wear eye protection. Safety equipment such as a dust mask, non-skid safety shoes, hard hat, or hearing protection used for appropriate condition will reduce personal injuries.
8. Dress properly. Do not wear loose clothing or jewellery. Keep your hair, clothing & gloves away from moving parts. Loose clothes, jewellery or long hair can be caught in moving parts. Wear foot protection or sensible shoes when using the machine.
9. Prolonged use of the machine may lead to disorders of blood circulation in hands caused by vibration. These effects can be worsened by low ambient temperatures and/or by gripping the handgrips excessively tightly. Period of use you can extend with appropriate gloves or regular breaks. Take frequent work breaks. Limit the amount of exposure per day.

PETROL TOOL USE AND CARE



WARNING!

Petrol is highly flammable and explosive.

1. Store petrol in containers specifically designed for this purpose.
2. Refuel outdoors only and do not smoke while refueling.
3. Add fuel before starting the engine. Never remove the cap of the tank or add petrol while the engine is running or when the engine is hot.
4. If petrol is spilled, do not attempt to start the engine but move the machine away from the area of spillage and avoid creating any source of ignition until petrol vapors have dissipated.
5. Replace fuel tank & container caps securely.
6. Do not operate the engine in a confined space where dangerous carbon monoxide can collect.
7. Do not force the machine. Use the correct machine for your application. The correct machine will do the job better and safer at the rate for which it was designed.
8. Do not use the machine if the main OPC/Brake lever does not work to turn the machine off. Any machine

- that cannot be controlled with the OPC/Brake lever is dangerous and must be repaired.
9. Turn machine off completely before making any adjustments, changing accessories, or storing. Such preventive safety measures reduce the risks of starting the petrol tool accidentally.
 10. Store idle machines out of the reach of children and do not allow persons unfamiliar with the machine or these instructions to operate. Petrol machines are dangerous in the hands of untrained users.
 11. Maintain your machine. Check for misalignment or binding of moving parts, breakage of parts & any other condition that may affect the operation. If damaged, have the machine repaired by an Approved Webb Service Dealer immediately. Many accidents are caused by poorly maintained machines.
 12. Use the machine, accessories and tool bits etc., in accordance with these instructions and in the manner intended for the particular type of petrol machine, taking into account the working conditions and the work to be performed. Use of the machine for operations different from intended could result in a hazardous situation.

PERSON PROTECTION

1. In case of any injury always proceed in accordance with the principles of first aid.
 2. If someone is cut, cover the wound with a clean cloth & press hard to stop the flow of blood.
 3. Do not let petrol or oil come in contact with your skin. Keep petrol and oil away from the eyes. If petrol or oil come into contact with the eyes, wash them immediately with clean water. If irritation is still present, see a doctor immediately.
 4. Individuals with poor circulation who are exposed to excessive vibration may experience injury to blood vessels or the nervous system. Vibration may cause the following symptoms to occur in the fingers, hands or wrists: numbness, tingling, pain, stabbing sensation, alteration of skin colour or of the skin. If any of these symptoms occur, see a doctor.
- Put safety first in the case of fire:
5. If fire comes from the engine or smoke appears from anywhere other than the exhaust vent, at first distance yourself from the product to ensure your physical safety.
 6. Use a dry powder fire extinguisher on the fire to prevent it from spreading.
 7. A panicked reaction could result in the fire and other damage becoming more extensive.



INSTRUCTION MANUAL

SPECIFICATIONS

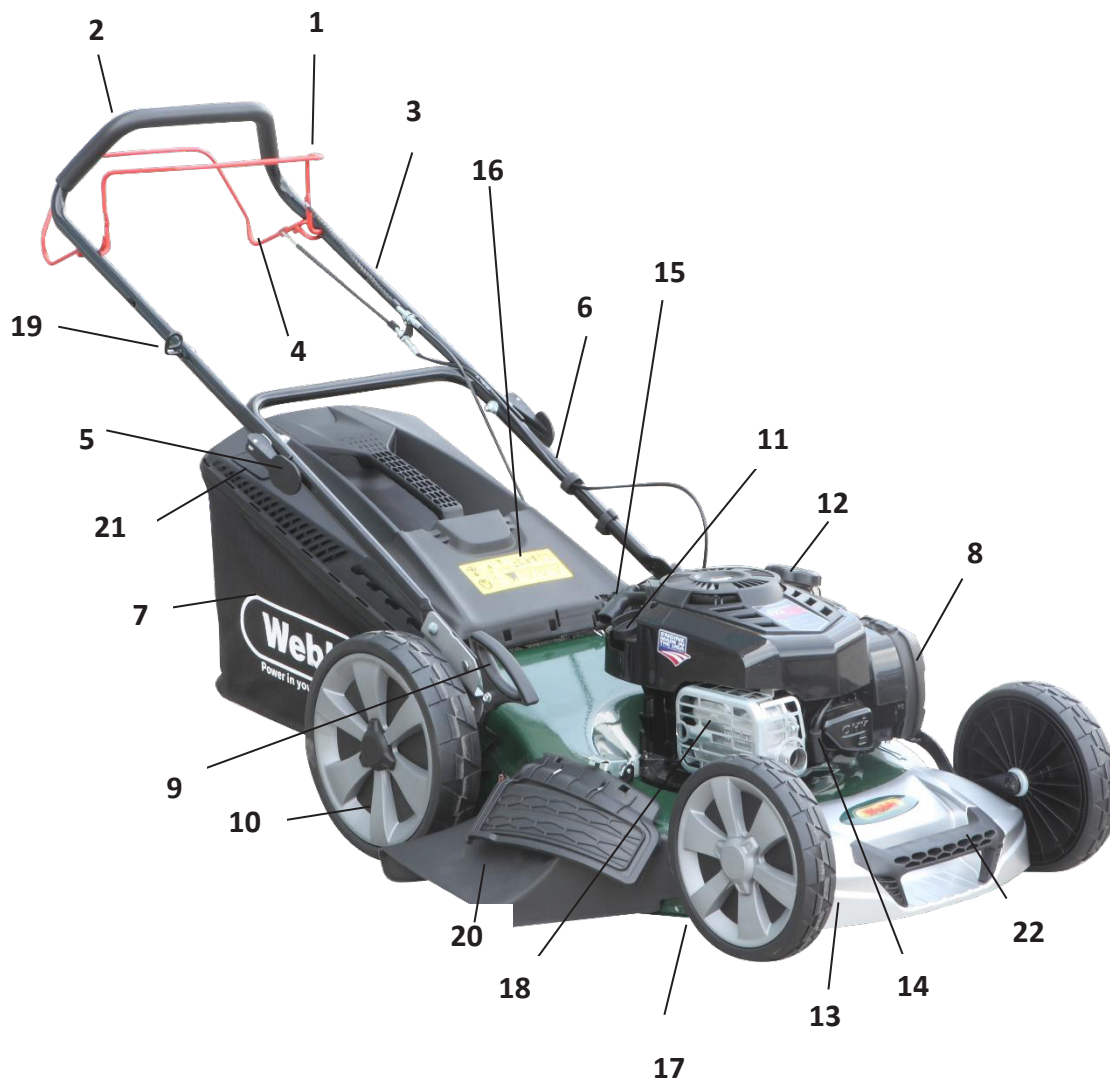
Model	WER21HW4
Product Number	1938325001
Working Width	530 mm
Drive Type	Self-Propelled
Cutting Heights	8 Levels
Height Adjustment	20 - 80mm
Collector Capacity	65L
Deck	Steel
Wheel Diameter	Front 8"/Rear 12"
Functions	Mulch - Side Discharge - Rear Discharge - Collect
Engine	Briggs & Stratton 725E
Engine Displacement	163 cm ³
Rated Engine Power	2.67 kW
Rated Engine Speed	2800 rpm
Oil Tank Capacity	0.47L
Fuel Tank Capacity	1.0L
Guaranteed Noise Power Level L _{WA}	97 dB(A)
Emission Sound Pressure Level L _{PA}	75.9 dB(A) - uncertainty K=3 dB(A)
Vibration a _{hv} :	4.512 m/s ² - uncertainty K=1.5 dB(A)

The manufacturer reserves the right to change the product specification and livery according to continued product improvements.



KNOW YOUR MACHINE - WER21HW4

1. Self-Propelled Lever	2. Handle Soft Grip
3. Upper Handle	4. OPC/Brake Lever
5. Handle Fixing	6. Lower Handle
7. Grass Collector	8. Air Filter Housing
9. Single Height Adjuster Lever	10. Rear Wheel
11. Engine Oil Filler Cap & Dipstick	12. Fuel Tank Cap
13. Cutting Deck	14. Spark Plug Cap
15. Recoil Starter Handle	16. Rear Discharge Cover
17. Front Wheel	18. Exhaust/Muffler
19. Recoil Guide	20. Side Discharge Chute
21. Grass Collector Full Flap	22. Front Bumper





INSTRUCTION MANUAL

ASSEMBLY

ASSEMBLY/PRE-OPERATION

This manual gives instructions on the correct assembly and safe use of your machine. It is important that you read these instructions carefully. If necessary, obtain assistance to remove from packaging, take care when carrying the mower to the lawn, as the blades are sharp.

REMOVE LAWN MOWER FROM CARTON

Roll the lawn mower out of the carton and check thoroughly for additional loose parts. Please ensure that you have all the below necessary parts, before commencing with the assembly. In the unlikely event that you are missing a component, please do contact us for assistance.

Tel: 01793 333212, option 2

Email: customerservice@webbgardenpower.co.uk

February to October - Monday to Friday 8.00am to 5.30pm excl. Bank Holidays

November to January - Monday to Friday 8.30am to 5.00pm excl. Bank Holidays

IMPORTANT INFORMATION

NOTE: This product is a 4-stroke engine powered machine.

The engine MUST be filled with recommended 4-stroke SAE30 or 10W/30 air cooled lawnmower engine oil BEFORE starting. Fresh unleaded petrol must be used in this unit. DO NOT use Ethanol based fuels. DO NOT mix oil with fuel. ALWAYS REFER TO THE ENGINE MANUAL FOR FULL INSTRUCTIONS.



WARNING

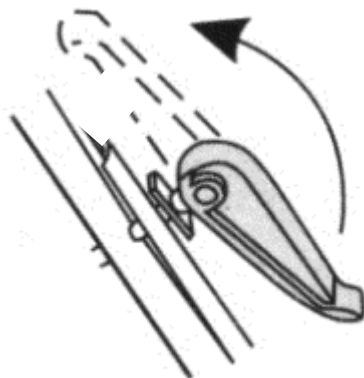
Prior to any assembly, disconnect the spark plug cap from the spark plug and ground it against the engine by attaching the boot to a bolt or metal clip to

DO NOT attempt to start this machine without it first being FULLY assembled.

DO NOT attempt to start this mower without first adding 4-stroke SAE30 or 10W/30 air cooled lawnmower engine oil to the engine.

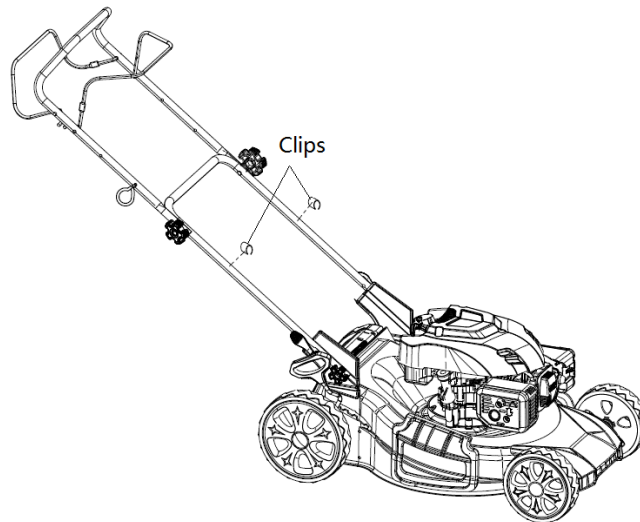
HANDLES

1. Unfold the upper handle and push the quick release handle against the handle assembly. Repeat on both sides of the machine.
2. If the quick release handle is difficult to lock into place, rotate anti-clockwise until the lock mechanism operates to ensure the handle assembly is secured into place.



CABLE TIDY

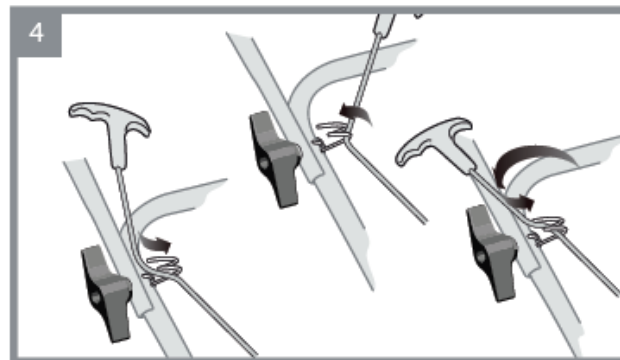
1. Place the cable tidy over the handle assembly and house the cables into the tidy.



RECOIL STARTER HANDLE

Please note the actual housing is located on the upper handle and not within the handle fixings as imaged below.

1. To ease starting of the machine, the recoil starter handle can be housed on the handle assembly.
2. To house it correctly, pull the OPC/Brake lever towards the main handle. Do not let go.
3. Now grab the recoil starter handle and slowly lift it towards the housing. There will be some resistance and do not pull too hard. Wrap the Starter rope through the housing and seat the recoil starter housing.
4. You can now release the OPC/Brake lever.



CUTTING FUNCTIONS

NOTE: These functions can be converted by changing accessory setting. Please see the following chart for detail setting.

Fitted	Mulch Plug	Grass Collector	Side Discharge Chute
Function			
Collection	No	Yes	No
Mulching	Yes	No	No
Side Discharge	Yes	No	Yes

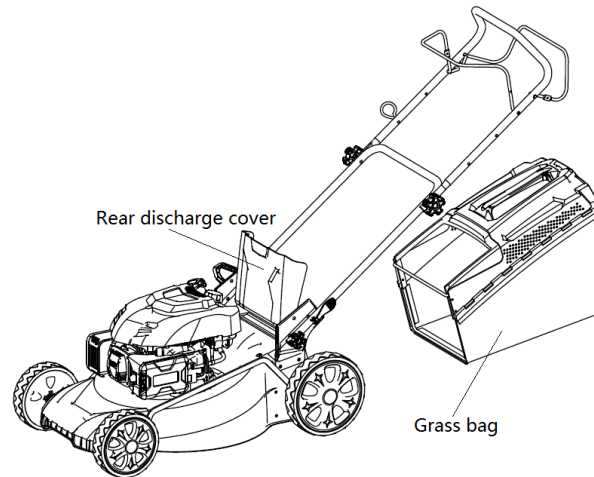


INSTRUCTION MANUAL

GRASS COLLECTOR

FITTING

1. Lift the grass collector flap up, so that it opens past the handle assembly. Hold in position and place the grass collector hooks over the springs and place into position.
2. Lower the grass collector flap to sit onto the grass collector.

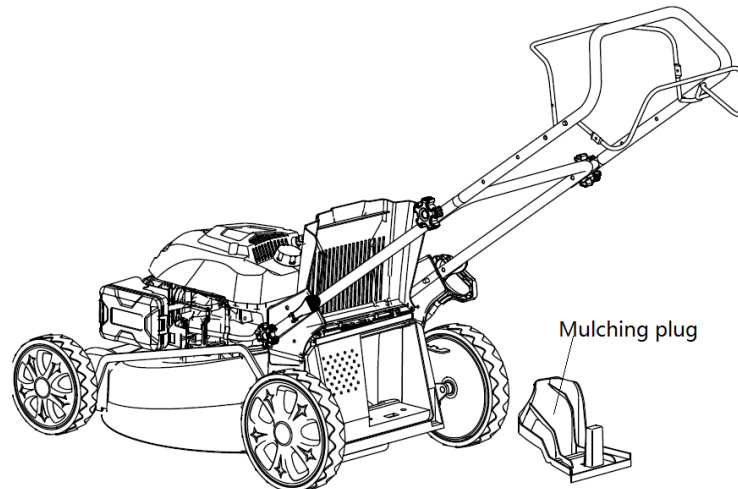


Using the grass collector, ensures your cuttings are forced to the back of the collector, using air generated by the rotation of the cutting blade. Once full, stop the machine and turn off the engine. Remove the spark plug cap from the spark plug. Empty the grass cuttings.

MULCH PLUG

NOTE: Mulching stops collection of grass into the rear collector.

You will find the mulch plug loose in the carton or fitted to the machine. If the mulch plug is not located in the carton, lift the grass collector flap at the rear of the machine and remove the mulch plug.



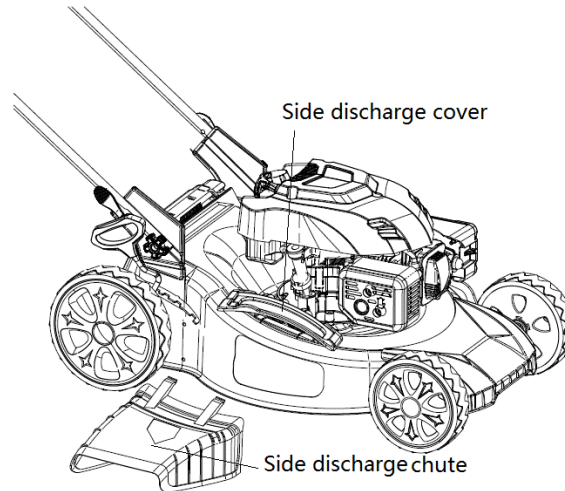
(The image used is for information purposes only. The mulch plug may differ in shape from the item supplied)

Mulching helps maintain a healthy and green lawn by re-circulating and re-cutting the grass cuttings under the mowing deck, producing very fine mulch. The cuttings are forced onto the lawn, rapidly decomposing, putting nutrients back into the soil.

SIDE DISCHARGE CHUTE

NOTE : When using the side discharge function, you need to fit the mulch plug, prior to starting the machine.

1. Unlock and lift the side discharge cover.
2. Hook the side discharge chute onto the lawnmower, using the bar of the cover.
3. Release the side discharge cover to sit onto the chute.



The side discharge chute allows your cuttings to leave the deck to the side of the machine. This is usually used when cutting heavy or tall grass, to enable the user to collect after cutting, using other means.

HEIGHT OF CUT



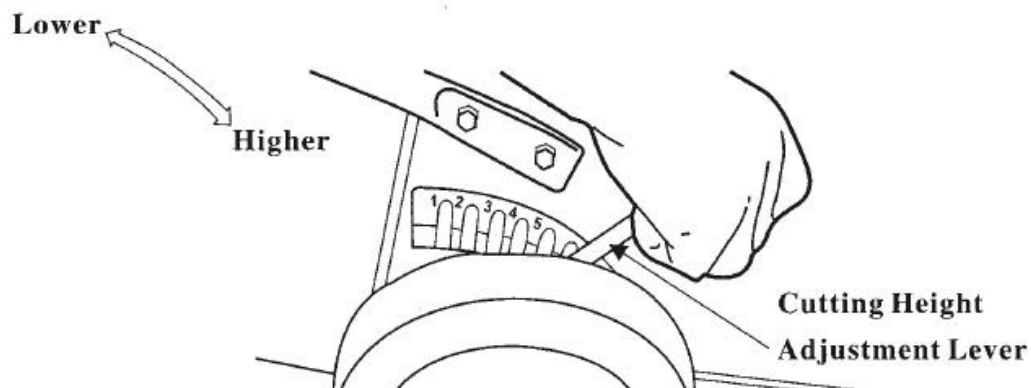
CAUTION

Adjust the cutting height only when the engine is switched off the spark plug cap has been pulled from the spark plug.

To adjust the height of cut, the machine has been supplied with a single lever, located at the right rear wheel. Adjusting the height of cut should only be undertaken when the engine is off, and the blade has come to a complete standstill.

To adjust the height of cut, grab the height of cut lever and push it away from the gauge and then lift or lower the lever to the required height of cut.

Moving the lever forward will higher the height of cut. Moving the lever back, will lower the height of cut. Never attempt to cut long grass on the lowest cutting height. Always attempt to cut long grass at the higher cutting heights and then pass over the lawn again, selecting a lower cutting height.





INSTRUCTION MANUAL

OPERATION

FUEL & OIL



WARNING

YOUR MACHINE IS SUPPLIED WITHOUT ENGINE OIL OR PETROL

Operating the engine with insufficient oil, can have catastrophic consequences. Any failure caused by insufficient oil, will not be covered by the manufacturer's warranty.

READ THE SUPPLIED BRIGGS & STRATTON OPERATORS MANUAL CAREFULLY.



Fuel & its vapors are very flammable. Do not use or fuel the machine near a flame, sparks or while smoking. Allow the engine to cool for more than 3 minutes, before re-fueling. Never fuel the machine with engine running. Fuel the engine at least 15 metres away from your work area. Always fuel your machine outdoors.

IMPORTANT:

Fuel which is older than 30 days old can become stale and cause acid & gum deposits in the fuel system or essential carburettor components. This could result in starting issues which would not be covered by your manufacturer's warranty.

Ensure that any stored petrol is clearly marked in a separate appropriate canister for a maximum of 30 days, if not mixed with a fuel additive. If the machine is not going to be used for a long period, drain the fuel tank, start the engine and drain the carburetor of any remaining fuel.

To keep fuel fresh, we recommend you use SURE-START FUEL ADDITIVE (HP-199) from Handy Parts. A fuel additive added to your fuel at the time of purchase, will help make your machine easier to start, extend the shelf life of your fuel mixture for up to two years, keeps the carburettor & engine clean, plus reduces emissions and increases fuel economy. A 250ml bottle of SURE-START FUEL ADDITIVE will treat 25 litres of fuel. Only use 4-stroke SAE30 or 10W/30 air cooled lawnmower engine oil. **DO NOT USE** automotive or marine oil.

HOW TO ADD FUEL

Fuel Recommendations - refer to the Briggs & Stratton operators manual supplied with your machine.



WARNING

Petrol and its vapours are extremely flammable and explosive.
Fire or explosion can cause severe burns or death.

ADDING FUEL

Turn engine off and let engine cool at least 2 minutes before removing the fuel cap.

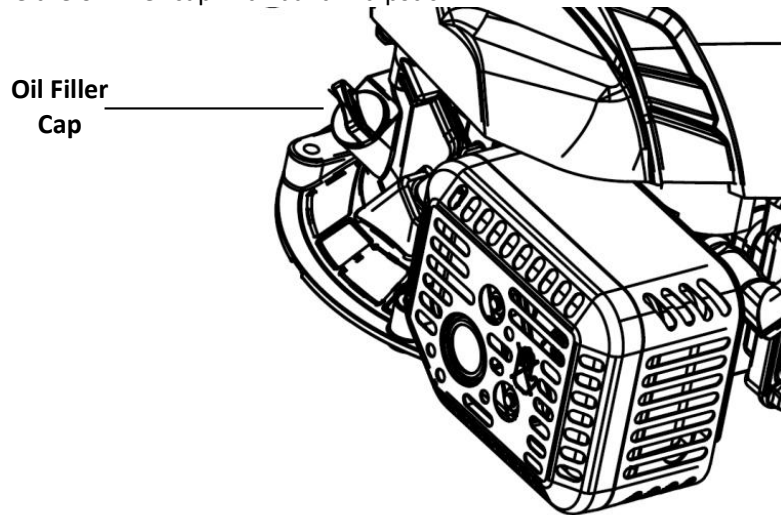
Fill fuel tank outdoors or in well-ventilated area.

Do not overfill fuel tank. Fill tank to approximately 1.5 inches (38 mm) below top of neck to allow for fuel expansion. Fuel tank capacity: See Briggs & Stratton Instruction Manual.

- Keep petrol away from sparks, open flames, pilot lights, heat, and other ignition sources.
 - Check fuel lines, tank, cap, and fittings frequently for cracks or leaks. Replace if necessary.
 - If fuel spill, wait until it evaporates before starting engine.
1. Clean the fuel cap area of dirt and debris. Remove the fuel cap.
 2. Fill the fuel tank with petrol. To allow for expansion of petrol, do not fill above the bottom of the fuel tank neck.
 3. Reinstall the fuel cap.

ENGINE OIL

1. Remove the oil filler cap with built in dipstick.



2. Fill the engine with 4-stroke SAE30 or 10W/30 air cooled lawnmower engine oil. **DO NOT USE** automotive or marine oil. The use of a funnel will aid the filling. The engine capacity: See Briggs & Stratton Instruction Manual.
3. Do not over fill!
4. After one minute, we recommend the dipstick on the oil filler cap is wiped with a clean cloth and dipped (without screwing into the filler neck) to ensure the oil level remains between the minimum and maximum marks on the dipstick.



5. Replace and tighten the oil filler cap with built in dipstick.

AMBIENT TEMPERATURES

The specification of oil required may change depending on the outdoor temperatures you are operating the machine in. Refer to the Briggs & Stratton operators manual for further information.



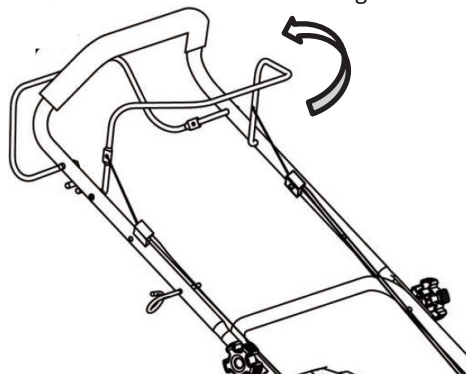
INSTRUCTION MANUAL

ENGINE STARTING & STOPPING PROCEDURE

(NOTE: STARTING AN ENGINE WITHOUT ENGINE OIL OR FUEL CAN SERIOUSLY DAMAGE THE MACHINE)

STARTING THE ENGINE (COLD)

1. Make sure that your mower is on a safe, flat area (a paved area or path is ideal - avoid thick wet grass and gravel surfaces) away from fuel or fuelling areas to make starting safe.
2. Pull the OPC/Brake lever towards the main handle. Do not let go.



3. Grab the recoil starter handle and pull lightly until resistance is felt, then pull rapidly.



4. The engine should start.
5. Rehouse the recoil starter handle. Do not let it go until housed to prevent damage.
6. If the engine does not start, run through from step 1 again.

NOTE: If the engine won't start after you have operated the starter several times, the engine may be flooded with excess fuel. Use the following procedure to clear and start a flooded engine.

1. Release the OPC/Brake lever.
2. Remove the spark plug, dry it, and then reinstall it.

NOTE: Install the spark plug carefully by hand, to avoid cross-threading. After the plug is seated tighten 1/8 to 1/4 turn with socket spanner of spark plug to compress the washer.

3. Pull the OPC/Brake lever towards the upper handle.
4. Operate the starter as described above.

STOPPING THE ENGINE

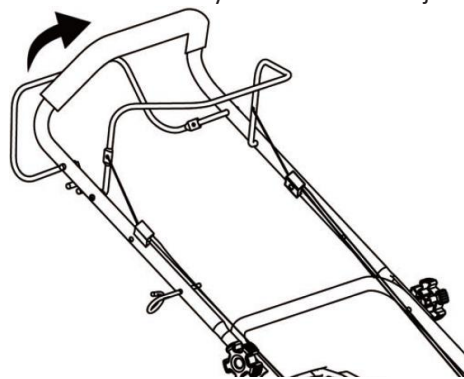
1. Release the OPC/Brake lever. The engine will come to a stop and a couple of seconds later, the blade will stop rotating.
2. Or you can move the throttle lever to the STOP position.



SELF-PROPELLED

To self-propel your lawnmower,

1. Start the engine as stated above.
2. Push the drive lever up to the main handle. The lawnmower will start to move with the engine running and blade rotating. It is easier to manually push the machine a couple of steps and then engage the self-propelled motion to ensure the grass is not damaged and the machine does not take off, away from the user suddenly.
3. To stop the lawnmower moving, just simply release the drive lever in good time.
4. The self-propel speed has been set at the factory and cannot be adjusted.



MOWING WITH GRASS COLLECTOR



WARNING

Always observe the strictest safety procedures when using the lawnmower. Carefully read the safety instructions of this manual before using the lawnmower.
Never open the rear flap when the grass bag has been detached (to be emptied) and the engine is still running. The rotating blade can cause serious injuries!

1. Select your required height of cut setting.
2. Start the engine and allow it to run and warm up. See Starting the Engine section of the manual.
3. Keep a firm grip on the upper handle with OPC/Brake lever always engaged when attempting to cut.
4. Pull the Drive lever up to the handle when you wish to self-propel.



INSTRUCTION MANUAL

EMPTYING THE GRASS COLLECTOR

As soon as grass clippings start to trail the lawnmower, it is time to empty the grass bag.

NOTE: Before taking off the grass collector, switch off the engine and wait until the blade has come to a stop.

1. To take off the grass collector, use one hand to lift up the rear cover and the other to grab onto the grass collector carry handle. The rear cover automatically falls down after removing the grass collector and closes off the rear chute opening.
2. Empty the grass debris from the grass collector and refit.

NOTE: If any grass residue is caught in the discharge chute, clean it using a brush. Do not remove grass debris in the mower deck or on the blade by hand or with your feet. Instead use suitable tools such as a brush or broom. To ensure that the cut grass can be collected into the grass collector, the discharge opening and inside the mower deck must be cleared of any blockage.

MOWING WITH THE SIDE DISCHARGE CHUTE

NOTE : When using the side discharge function. Remove the grass collector and plug the mulch plug into the rear of the machine.

3. Unlock the side discharge cover and lift. Hook in the side discharge chute.
4. Allow the side discharge cover to secure onto the side discharge chute into position.
5. Remove the grass collector. Place the grass collector in a safe place.
6. Insert the mulch plug into the rear of the machine.
7. Start the machine and mow. Grass will be discharged from the side discharge chute back to the floor.

NOTE: If any grass residue is caught in the side discharge chute, clean it using a brush. Do not remove grass debris in the mower deck or on the blade by hand or with your feet. Instead use suitable tools such as a brush or broom.

MOWING WITH THE MULCH PLUG

NOTE: Mulching stops collection of grass into the rear collector.

1. Lift the rear cover and remove the grass collector.
2. Insert the mulch plug into the rear of the machine
3. Allow the rear collector to sit on the rear of the deck.
1. Start the machine and mow. The grass will be discharged back to the floor, under the deck in finely cut particles providing nutrients to the ground.

MOWING INSTRUCTIONS

1. Walk, never run with the mower, be very careful when mowing uneven or rough ground.
2. Be careful when changing the direction of the mower on a slope. Mow across the face of slopes, never down or up.
3. Do not mow excessively steep slopes.
4. Best results will be achieved if the grass is dry. Wet grass will clog the blade & grass collection system.
5. Grass grows at different rates at different times of the year. Never use the lowest cutting height for the first cut of the season or in drought conditions.
6. Do not remove grass debris in the mower deck or on the blade by hand or with your feet. Instead use suitable tools such as a brush or broom.
7. Check that all nuts, bolts and screws are well tightened.
8. Before mowing, place the grass collector in its position.
9. Before mowing make sure that the blade and the blade fixing screw are securely fastened. When blade cutting edges require re-sharpening, this must be done evenly on both sides, so as to prevent any imbalance. If you are unsure how to sharpen the blade, please visit your local Approved Service Dealer. If the blade is damaged, it must be replaced.
10. When mowing, always wear a long trousers and strong footwear.
11. Do not run the engine in an enclosed and/or poorly ventilated area, where gas of the engine contains carbon monoxide, which are dangerous for your health.
12. Work only when there is enough light.

13. Turn off the engine if you must leave the lawnmower unattended.
14. Never lift the rear of the mower while starting the engine and never place your hands and feet underneath the deck or into the rear discharge chute while the engine is running.
15. **Never change in any way the rated speed of the engine.**
16. On self-propelled mowers, disconnect the self-propelled system before starting the engine.
17. Never lift or carry the mower while the engine is running.
18. Stop the engine and remove the spark plug cover in these cases:
 - Before any operation under the deck or the rear discharge chute.
 - Before any maintenance, repairing or checking operations.
 - Before carrying, lifting or removing the mower.
 - If you leave the mower unattended or changing the cutting height.
 - To remove and emptying the grass catcher.
 - After hitting a foreign object, stop the engine and check thoroughly the mower in order to see if it is damaged. Take the machine to a local Approved Service Dealer for inspection if necessary. Repairs of this nature are not covered under the Manufacturer's warranty.
 - If the mower vibrates in an abnormal way, find the reasons why, and take your mower to a local Approved Service Dealer.



WARNING

After the engine has stopped, the blade will still rotate a couple of seconds.



CAUTION

Operating on gradients could cause the machine to tip over.

Allowing anyone to operate this machine without proper instruction may result in injury.

Wear sturdy, full coverage footwear. Operating this machine with bare feet, or with open toe shoes or sandals increases your risk of injury.

Do not use the machine at night or in poor light.

Be sure to transport the machine from one place to another with the engine off.

Be sure to wear heavy gloves when cleaning underside of the deck or handling the blade.

To prevent damage, check the machine for any signs of damage or other faults when operated.

MAINTENANCE, CLEANING & STORAGE



WARNING

Improper maintenance & storage of the machine may void your warranty. Keep the machine clean for better and safer performance.

Turn off the engine before performing any maintenance. If the engine must be run, make sure the area is well ventilated. The exhaust emits dangerous carbon monoxide gases.

MAINTENANCE

Use only original equipment replacement parts. Other parts may not perform as well, may damage the unit and may result in injury. In addition, use of other parts may invalidate your warranty.

- Before each use, check all nuts & bolts to be sure they are sufficiently tightened.
- We recommend only manufacturer original parts are used when maintaining this machine. Failure to do so could invalidate your manufacturer's warranty.
- The engine must be switched off, with the spark plug cap removed, before the machine is unassembled, cleaned, serviced or maintained.



INSTRUCTION MANUAL

LUBRICATION

- WHEELS - Lubricate the ball bearings in each wheel at least once a season with a light oil.

CUTTING BLADE

- When removing the cutting blade assembly, protect your hands with a pair of heavy-duty gardening gloves.
- Secure the blade with a large piece of wood, to stop the blade from rotating.
- Remove the blade bolt and washer, by turning anti-clockwise, that hold the blade and blade boss to the engine crankshaft.
- Remove the blade assembly and the blade adaptor from the crankshaft.



WARNING

Periodically inspect the blade adaptor for cracks, especially if you strike a foreign object. Replace where necessary

It is recommended that cutting blade sharpening should be undertaken by an approved service dealer.

When sharpening the blade, follow the original angle of grind as a guide. It is extremely important that each cutting edge receives an equal amount of grinding to prevent an unbalanced blade. An unbalanced blade will cause excessive vibration when rotating at high speeds. It may cause damage to the mower or personal injury.

- Be sure to install the blade assembly with the side of the blade marker with the part number, facing to the ground, when the lawnmower is in the operating position.
- Slide the blade boss onto the engine crankshaft.
- Place the blade assembly onto the blade adaptor. Ensure the blade is aligned with and seated on the blade boss.
- Place washer onto the blade.
- Replace the blade bolt.
- Tighten blade bolt to torque 45-50Nm (33-36ft.lb)

Note: To ensure safe operation of your lawnmower, the blade bolt must be checked periodically for correct torque.

THE DETAIL PROVIDED BELOW ARE GENERIC INSTRUCTIONS FOR 4-STROKE PETROL LAWNMOWER ENGINES.
ALWAYS REFER TO THE BRIGGS & STRATTON OPERATORS MANUAL FOR FULL AND COMPLETE
INSTRUCTIONS FOR YOUR ENGINES MAINTENANCE.

REMOVE ENGINE OIL



CAUTION

Used oil is a hazardous waste product and must be disposed of properly. Do not discard with household waste. Check with your local authorities, service center, or dealer for safe disposal/recycling facilities.



WARNING

Before draining any oil, ensure the fuel tank is empty. Fuel can leak out and result in a fire or explosion. To empty the fuel tank, run the engine until it stops from lack of fuel.

- Draining the oil can only be undertaken from the oil filler neck.
- Turn off the engine.
- Remove the spark plug cap and keep away from the spark plug.
- Drain while the engine is still warm to assure rapid and complete drainage.
- Remove the oil filler cap with dipstick.
- Place an approved container below the machine.
- Ensure you keep the spark plug end of the engine up.
- Install Oil drain plug and wrench tighten.
- Refill with the recommended oil and check its level as required, following instructions within this manual.

Oil capacity: See Specification section of this manual.

Wash your hands with soap and water after touching used oil.

NOTE: Please dispose of used motor oil in a manner that is compatible with the environment. We suggest you put it in a sealed container to your local service for reclamation. Do not throw it away into the refuse collection or pour it on the ground or in drains.

AIR FILTER

A dirty air filter will block air flow into the carburettor. To prevent carburettor malfunction, service the air filter regularly. Service more frequently when operating the engine in extremely dusty areas.

1. Remove the air filter cover. Remove the filter. Carefully check both for holes and tears and replace it if damaged.
2. **Foam element:** clean in warm soapy water, rinse and allow to dry thoroughly or clean in high flash-point solvent and allow to dry. Dip the element in clean engine oil and squeeze out all the excess. The engine will smoke during initial start-up if too much oil is left in the foam.



WARNING

Never use gasoline or low flash point solvents to clean the air cleaner element. A fire or explosion could occur.



CAUTION

Never run the engine without air filter or rapid engine wear will be the result.



INSTRUCTION MANUAL

SPARK PLUG

To ensure proper engine operation, the spark plug must be properly gapped and free of deposits.

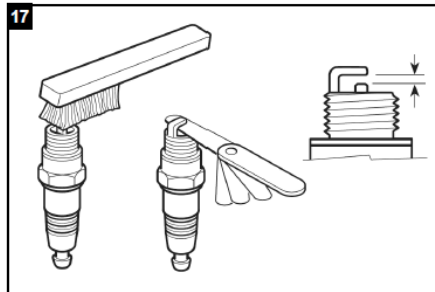
1. Do not attempt to remove the plug from a hot engine in order to avoid possible damage to the threads.
2. Remove the spark plug cap.



WARNING

If the engine has been running, the exhaust (muffler) will be very hot. Be careful not to touch the exhaust (muffler).

3. Visually inspect the spark plug. Discard it if the insulator is cracked or chipped.
4. Measure the plug gap with a feeler gauge. Specifications of the plug gap can be found



5. Attach the plug washer, thread the plug in by hand to prevent cross-threading.
6. When mounting a new spark plug, you should screw 1/2 more thread with the wrench after the washer is compressed. If you are mounting an old one, you should only screw 1/8-1/4 more thread.



CAUTION

The spark plug must be securely tightened. An improperly tightened plug can become very hot and possibly damage the engine. Never use a spark plug with an improper heat range.

CLEANING



CAUTION

Do not use a water hose or pressure washer to clean the engine. Water can damage the engine or contaminate the fuel system.

- Keep your machine clean. Thoroughly clean the machine at the end of each use, paying attention to stones or mud in and around the tines.
- Clean the engine regularly with a cloth or brush. Keep the cooling system (blower housing area) clean to permit proper air circulation which is essential to engine performance and life. Be certain to remove all dust, dirt and combustible debris from exhaust area.

STORAGE & TRANSPORT

The following steps should be taken to prepare your machine for storage.

STORING THE LAWNMOWER FOR SHORT PERIODS

The lawnmower can be stored for short periods of time (less than 15 days) without performing any storage maintenance. Before placing the lawnmower into storage always carry out the following:

1. Allow the engine to fully cool.
2. Ensure the grass collector is empty.
3. Clean all debris from under the mower deck.
4. Store the lawnmower on a flat and level surface with the mower upright.
5. Store in a safe place which is not accessible by children or people who are not familiar with operation.

STORING THE LAWNMOWER FOR EXTENDED PERIODS

If the lawnmower is to be placed into storage for more than 15 days, storage maintenance must be performed on the lawnmower. If the following steps are not carried out, when you next operate the lawnmower it may not start correctly and may need to be serviced.



CAUTION

Do not empty the petrol tank in enclosed areas, near fire or when smoking. Petrol fumes can cause explosions and fire

1. Empty the petrol tank with a petrol suction pump if available.
2. Alternatively, start the engine and let it run until any remaining petrol has been used up.
3. Change the oil at the end of every season. See removing oil within this manual.
4. Clean the cooling fins of the cylinder and the housing
5. Be sure to clean the entire machine to protect the paint.
6. Store the machine in a well-ventilated place.
7. Remove the spark plug. Use an oil can to fill approx. 20 ml oil into the combustion chamber. Operate the starter to evenly distribute the oil in the combustion chamber. Replace the spark plug.
8. Store in a dry, clean and frost-protected place, out of reach of unauthorised persons.



CAUTION

The engine must have completely cooled down before storing.

NOTE:

When storing any type of power equipment in an unventilated or material storage shed,

- Care should be taken to rust-proof the equipment. Using a light oil or silicone, coat the equipment, especially cables and all moving parts.
- Be careful not to bend or kink cables.
- If the starter rope becomes disconnected from rope guide on handle, disconnect and ground the spark plug wire. Depress the blade control handle and pull the starter rope out from engine slowly. Slip the starter rope into the rope guide bolt on handle.

DO NOT STORE fuel for longer than 30 days. Fuel can become stale and cause damage to the engine carburetor, which is not covered by the machines manufacturer's warranty.



INSTRUCTION MANUAL

TRANSPORT

- Empty the petrol tank
- Always let the engine run until it has used up the remainder of petrol in the tank.
- Empty the engine oil from the warm engine.
- Remove the spark plug boot from the spark plug.
- Clean the cooling fins of the cylinder and the housing.
- Use the original packaging to ship whenever possible.

TROUBLE SHOOTING

Refer to the Briggs & Stratton operators manual, supplied with your machine for engine related information.

PROBLEM	POSSIBLE CAUSES	REMEDIAL ACTION
Engine does not start	Fuel tank is empty.	Fill tank with fuel
	Spark plug loose.	Tighten spark plug.
	Spark plug wire loose or disconnected from plug.	Install spark plug wire on spark plug.
	Spark plug gap is incorrect	Set correct gap between electrodes.
	Spark plug is defective.	Install new, correctly gapped plug.
	Carburettor is flooded with fuel.	Remove air filter and pull starter rope continuously until carburetor clears itself. Install air filter. If problem persists consult local Approved Service Dealer.
Engine runs erratic	Old Fuel	Fuel becomes stale after 30 days and causes residues to build and 'gunk up' the carburettor. Change with fresh fuel. If problem persists consult local Approved Service Dealer.
	Unit running in start position	Move throttle lever back to Hare/Fast position
	Spark plug cap loose	Connect and tighten the spark plug cap
	Blocked fuel line or stale fuel	Fuel becomes stale after 30 days and causes residues to build and 'gunk up' the carburettor. Change with fresh fuel. If problem persists consult local Approved Service Dealer.
	Vent in fuel cap is blocked	Clean vent
	Water or dirt in fuel system	Drain fuel tank. Refill with fresh fuel. If problem persists consult local Approved Service Dealer.
	Dirty air filter	Clean air filter
Engine overheats	Carburettor out of adjustment	Visit approved Briggs & Stratton Service Dealer.
	Engine oil level low	Fill engine with 4-stroke SAE30 lawnmower oil. Refer to Briggs & Stratton operators manual.
	Air flow restricted	Visit approved Briggs & Stratton Service Dealer.
Lawnmower will not collect grass	Carburettor out of adjustment	Visit approved Briggs & Stratton Service Dealer.
	Mulch plug in exit chute	Remove mulch plug.
Lawnmower will not mulch grass	Engine speed too low	Set throttle between ¾ and full throttle.
	Wet grass	Do not mow when the grass is wet.
	Excessively high grass	Mow once at a high cutting height, then mow again at the desired height or make a narrower cutting swath (1/2 width).
	Dull blade	Sharpen or replace blade.
Uneven cut	Wheels not positioned correctly	Place all four wheels in same height position.
	Dull blade	Sharpen or replace blade.



REPLACEMENT PARTS

Please find on the following pages, parts lists and drawings for your machine. Should you require a replacement part, please call the Handy Distribution Spares Team on 01793 333212, option 1 or visit www.webbgardenpower.co.uk for assistance.

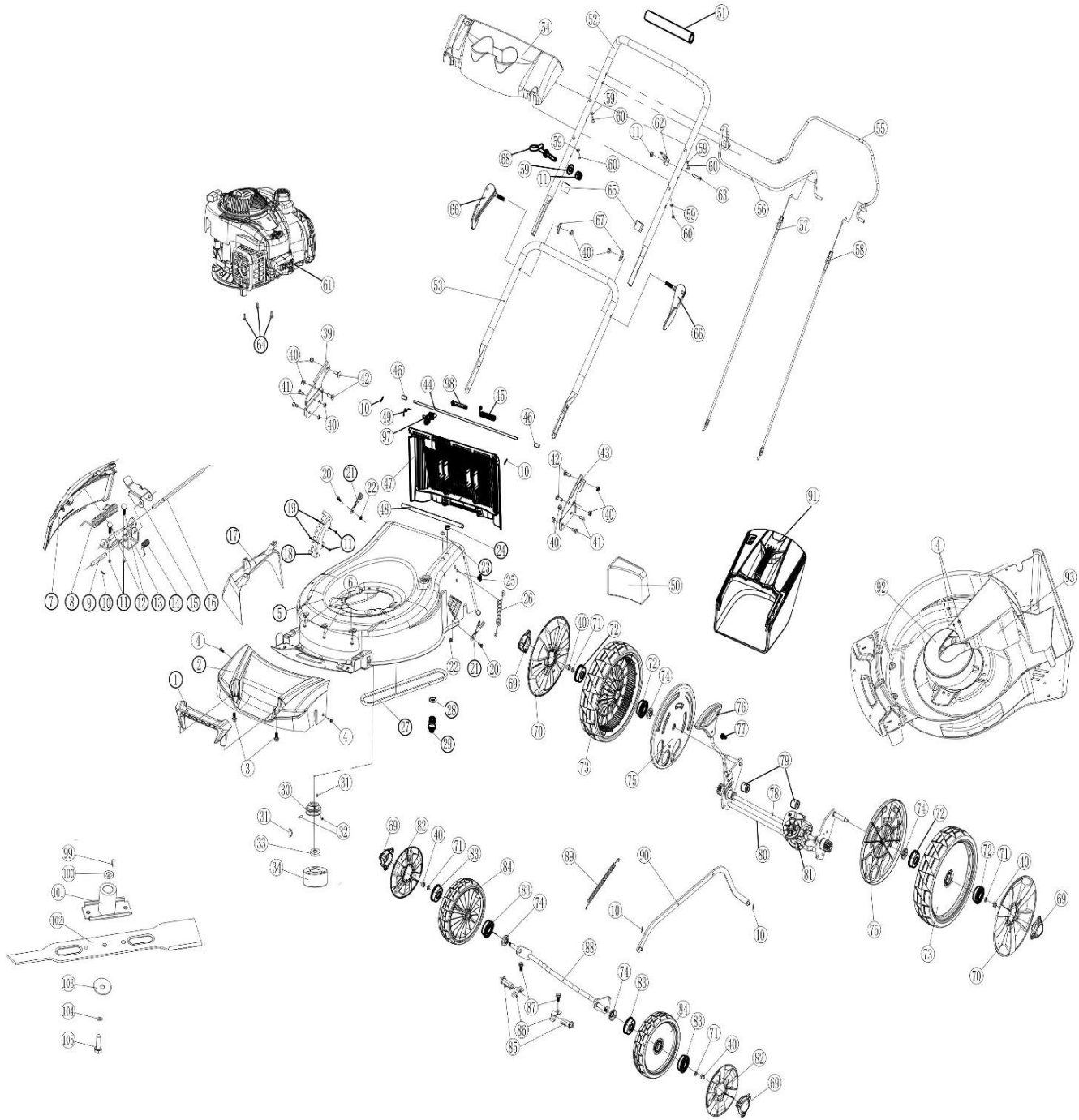
Webb recommends the use of Handy Parts oils, fuel additives, nylon lines pre-packed parts for all our machines.





INSTRUCTION MANUAL

PARTS DIAGRAM - WER21HW4 (1938325001)



PARTS LIST - WER21HW4 (1938325001)

Item No.	Webb Description	Webb Part No.	Qty	Item No.	Webb Description	Webb Part No.	Qty	Item No.	Webb Description	Webb Part No.	Qty
1	Front Deck Handle	WE211-11035F160000	1	39	Right Bracket	WE211-13081F205770	1	71	Plate Washer	WE211-71	4
2	Front Bumper	WE211-11081F161710	1	40	M8 Locknut	M-M8SELFLOCKINGNUT	14	72	6001ZZ Bearing	WE211-72	4
3	Hex Flange Lock Bolt M8x18	WE211-3	2	41	Hex Bolt M8x16	WE213-14	4	73	Rear Self Propel Wheel	WE196-200507230000	2
4	Hex Flange Lock Screw	WE211-4	4	42	Short Square Neck Bolt M8x20	WE211-13052T01D010	4	74	Dust Cover	WE195-21053T010000	4
5	Deck	WE211-10010F165500	1	43	Bracket, Left	WE211-13071F205770	1	75	Wheel Shield	WE196-20101T230000	2
6	Tapping Bolt ST4x12	WE211-6	3	44	Rear Flap Axle	WE211-34021F04V01A	1	76	Hight Adjuster Handle Sleeve	WE211-22231T010000	1
7	Side Discharge Flap	WE211-34103F160000	1	45	Rear Flap Spring	WE211-CH87157D	1	77	Screw	WE211-77	1
8	Side Discharge Spring	WE211-34105F160010	1	46	Transparent Pipe	WE195-34031C030000	2	78	Rear Axle Assembly	WE211-22310F18S01C	1
9	Side Discharge Small Axle	WE211-34106F210010	1	47	Rear Grass Flap	WE196-34011T020000	1	79	Alex Sleeve	WE211-21018T110000	2
10	Connecting Rod Clip	WE211-23031T01D010	5	48	Rear Grass Flap Seal	WE212-34061F160000	1	80	GT Gearbox Assembly	WE211-80	1
11	M6 Locknut	M-M6SELFLOCKING NUT	6	49	Rear Flap Clip	WE211-34012T030000	1	81	Gearbox	WE196-24000F16MS00	1
12	Square Neck Bolt	WE211-34019F160010	2	50	Rear Flap Spring	WE212-34013T02D010	1	82	8" Wheel Trim	WE196-20022T210000	2
13	Side Discharge Bracket	WE211-34101F22V010	1	51	Upper Handle with Soft Grip	WE212-13001C01S010	1	83	Bearing	WE212-20090T01D010	4
14	Spring	WE211-34107F210010	1	52	Lower Handle	WE211-13011F17S010	1	84	8" Wheel	WE195-20050T200000	2
15	Side Discharge Lock	WE211-34108F210010	1	53	Cup Holder	WE211-54	1	85	Axle Sleeve	WE211-CH86825A	2
16	Side Discharge Large Axle	WE211-34102F16001C	1	54	Drive Lever	WE212-14030T01S790	1	86	Axle Clamp	WE211-CH839648W	2
17	Side Discharge Chute	WE211-34104F160000	1	55	OPC/Brake Lever	WE212-14010T03S790	1	87	Pan Head Screw	WE211-87	2
18	Height Adjustment Board	WE211-23041F18V010	1	56	OPC/Brake Cable	WE211-14050F160010	1	88	Front Axle Assembly	WE211-21010F16S01A-A	1
19	Hex Flange Bolt M5x12	WE211-19	2	57	Drive Cable	WE211-14070E050040	1	89	Connecting Rod Spring	QG117-23021C04D010	1
20	Hex Flange Lock Bolt M5x12	WE211-20	2	58	Washer	WE211-59	4	90	Connecting Rod	WE211-23010F18S01B	1
21	Rear Axle Fixing Plate	WE211-22081F16V010	2	59	Cross Pan-Head Screw	WE211-60	4	91	Grass Collector	WE211-810101050272	1
22	M5 Locknut	M-M5SELFLOCKINGNUT	2	60	B&S 725EX Engine	N/A	1	92	Deck	WE211-10010F16S500	1
23	Clutch Cable Rubber Grommet	WE211-11071T010000	1	61	Bracket, Cable	Holder	1	93	Belt Cover	WE211-11051F16000A	1
24	Sheath	WE211-10033T010000	1	62	Cross Pan-Head Screw M6x80	WE211-63	1	99	Half-Circle Key 4mm	WE195-30051T01000A	1
25	Plug	WE211-11023T010000	1	63	Engine Fixing Bolt	WE213-32	3	100	Bush	WE213-30013T19V010	1
26	Gearbox Spring	WE195-24103T01D010	1	64	Cable Clip	WE195-14081T020000	2	101	Blade Boss	WE213-30020T03V010	1
27	Belt	WE211-24211F050000	1	65	Quick Release Handle	WE211-13031C090000	2	102	Blade	WE211-31031F01S010	1
28	O-Ring	WE211-HA28023A	1	66	Washer	WE211-13042T01D01A	2	103	Washer	WE213-65	1
29	Hose Connector	WE211-11049F160000	1	67	Recoil Guide	WE212-13061C05V010	1	104	Washer	WE213-31061T01Z010	1
30	Pulley	WE212-24202T00V01B	1	68	Small Wheel Cover	WE212-20021T20C010	4	105	Blade Bolt 3/8-24x32	WE213-67	1
31	Half-Circle Key 4mm	WE195-30051T01000A	2	69	12" Wheel Trim	WE196-20022T230000	2				
32	M6x12 Screw	WE212-72	2	70							



EC DECLARATION OF CONFORMITY

Designation: Petrol Self-Propelled 510mm Lawnmower

Model(s): WER21HW4

Product No.: 1938325001

Type/Serial No. As per rating label on machine

Engine Displacement: 163 cm³

Rated Engine Speed: 2800 rpm

Complies with the following directives:

Machinery Directive 2006/42/EC

The conformity assessment procedure followed was in accordance with

EN ISO 5395-1:2013/A1:2018; EN ISO 5395-2:2013/A2:2017

Outdoor Noise Directive 2000/14/EC & 2005/88/EC

Guaranteed Noise Power Level L_{WA}: 97 dB(A) According to 2000/14/EC

Emission Sound Pressure Level L_{PA}: 75.9 dB(A) - uncertainty K: 3 m/s²

Vibration a_{hv}: 4.512 m/s² - uncertainty K: 1.5 m/s²

Notified Body:

TÜV SÜD Product Service GmbH

Addresses:

Ridlerstraße 65, 80339 München, Germany

Authorised signatory and technical file holder

Date: 14/02/2022

Signature:

A handwritten signature in black ink, appearing to read "S. Belcher", written over a horizontal line.

Name: Mr Simon Belcher

Position: Chairman

Company: Handy Distribution Ltd

Address: Murdock Rd, Swindon, Wiltshire, SN3 5HY.





INSTRUCTION MANUAL

This Service Book is provided with your Webb, to help you look after your purchase to our recommendations and enable you to take advantage of the conditional manufacturer domestic warranty*.

Present this service book to your authorised Webb repair dealer, whenever a service or a warranty appraisal is required.

The booklet is applicable to the following products, in the UK only:

- Ride On Lawn Tractors
- Cylinder Lawnmowers
- Petrol Rotary Lawnmowers
- Petrol Hand Held Range

Please register your machine using the following pages or at www.webbgardenpower.co.uk. By registering your machine, you agree to maintain the machine in accordance with the service schedules specified in this manual and services duly recorded. (Not applicable for Webb electric handheld machines). You may be asked to produce this booklet as proof of servicing in the event of a claim. Proof of purchase should also be kept as a reference.

Ensure you have the following information available from your machine product label. The two examples below can be found on your machine:



1. Model Number

2. Serial & Product Number

Please complete using BLOCK CAPITALS.
Sections marked* must be completed to validate Warranty.

SERVICE BOOK

1. Users Statement of Warranty

Each new machine is warranted against defective material or assembly of material under normal usage. The warranty applies to the original purchaser, is not transferable and covers faulty parts and the labour involved in replacing and repairing those parts, which are of original manufacture.

2. Period of Warranty - valid from 1 January 2020

Webb (excludes Dynamic, Legacy & Heritage), 2 year conditional warranty from the original date of sale to the first domestic user.

Webb (Dynamic, Legacy & Heritage) 1 year warranty from the original date of sale to the first domestic user.

90 days from the original date of sale to the professional/commercial or for hire user.

Engine warranty as per the engine manufacturer's warranty, which will be supplied with the machine.

90 days from the original date of sale for Replacement Spare Parts

All machines' must be serviced within the first 14 months from the original date of purchase, to qualify for a second year parts & labour warranty, details of the service must be recorded in the service record within this manual.

A reduced warranty period of 90 days applies to those items which are subject to normal wear and tear and in normal use, will need replacement or adjustment.

These items are chargeable after 90 days of ownership.

Filters
Tyres / Wheels
Drive chains and belts
Brake & clutch friction components
Control cable & starter cords
Fluids & lubricants
Spark plugs
Blades (Lawnmowers & Brushcutters)
Cutter bars (Hedgecutters)
Drive & clutch cable surfaces
Nylon Lines (Line Trimmers)
Carburettor cleaning
Bearings
Bushes
Electric cable
Grass collectors

3. Not covered by this warranty

(a) The warranty policy does not cover any depreciation or damages caused by ordinary wear, rusting or corrosion, lack of correct maintenance or operation, misuse, abuse, lack of transportation or accident.

(b) The warranty policy does not cover any costs necessary for the standard periodic maintenance services instructed by the operators manual, or service parts replacement which would include oil, filters, tyres, belts, brake linings, fuses, blades, seals and other service parts unless it can be proven that the item has evidence of faulty manufacture.

(c) The warranty policy will not cover failure or damage caused as a result of parts or accessories being modified without the written approval of GJ Handy & Co Ltd.

(d) The warranty policy will not cover the unit if non-genuine parts have been fitted and as a result damage has occurred to the unit.

(e) The warranty policy is non-transferable and is only applicable to the original purchaser.

4. Disclaimer

(a) This warranty is only a remedy for defect of products. GJ Handy & Co Ltd will never warranty in terms of the merchantability or the fitness for a particular purpose.

(b) No person is authorised to make any warranties, representations or promises, expressed or implied, on behalf of GJ Handy & Co Ltd, or to modify the terms conditions or limitation of this warranty policy in any way.



INSTRUCTION MANUAL

(c) Neither GJ Handy & Co Ltd nor any company affiliated with GJ Handy & Co Ltd shall be liable in any event or manner whatsoever for incidental or consequential damages or injuries, including, but not limited to, loss of crops, loss of profit, out of pocket expenses or profits, rental of substitute equipment or other commercial losses.

5. General

(a) Most warrantable failures show up within the first few weeks of use. These failures are usually straightforward and warranty assessment is relatively easy.

(b) Failures relating to cutter decks and belts need careful investigation, as the cause may not always be straightforward. Look for damage to blades and pulleys especially when the cutter belt or blade boss have snapped or cracked as this could be due to impact damage.

(c) Customers should always refer to the operator/instruction manual when any disputed problem arises, you will find most areas covered within the manual.

Protecting your machine

Maintenance

Regular maintenance of your Webb machine is essential to ensure it operates, safely, efficiently and therefore reducing the environmental impact.

It is the owner's responsibility to ensure that their Webb machine is maintained at specific intervals. Any approved Webb service dealer can undertake a service, which are specialised in our products and will be aware of your particular machine and any technical updates which will save valuable time & money.

If you are using your machine in dry, dusty or high temperatures, you will need to service the machine more regularly.

Fuel (if applicable)

Due to ongoing efforts by fuel companies to reduce emissions, unleaded petrol will oxidize & deteriorate in storage overtime, leaving residue from detergent components.

Fuel deterioration problems may occur when petrol is stored for over 30 days. If you are planning to store fuel for over 30 days, we recommend you add Handy Parts Sure-Start fuel stabilizer to fresh fuel after purchasing. Sure-Start cannot reconstitute stale fuel.

Storage

When storing your machine for an extended period, we do recommend that you follow the instructions of engine instruction manual.

Always store the fuel in a clean, approved and sealed container. If the container is steel, ensure it is not corroded. If the container is not filled to its recommended capacity, air can accelerate fuel deterioration.

Always store fuel away from direct sunlight, in a dark, cool environment.

SERVICE BOOK

Your servicing Webb approved dealer will stamp & date the below relevant sections, when the correct service actions have been completed.

PLEASE ENSURE THE SERVICE BOOK IS AVAILABLE FOR THE DEALER, DURING SERVICE WORK.

1st Service

This must be stamped by an approved service dealer to qualify for a free second year warranty.
(Excluding the Webb Electric Handheld machines)

12 Months

Date

24 Months

Date

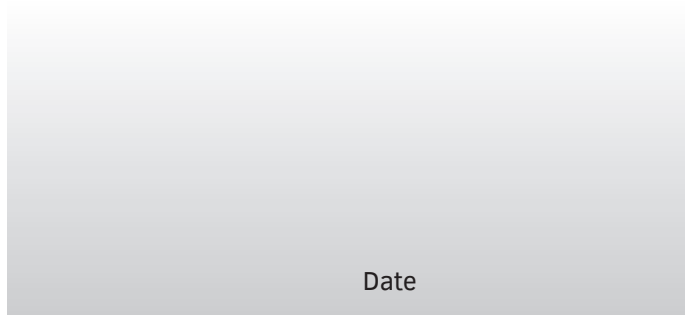
36 Months

Date

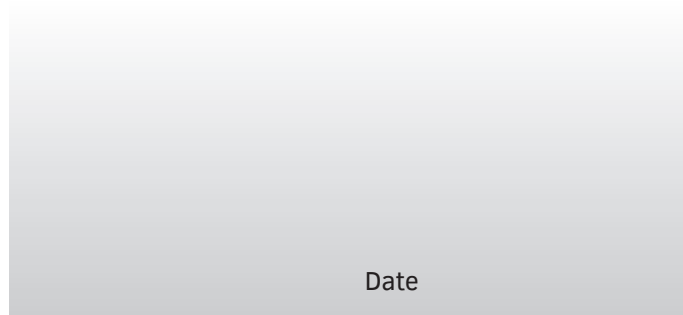


INSTRUCTION MANUAL

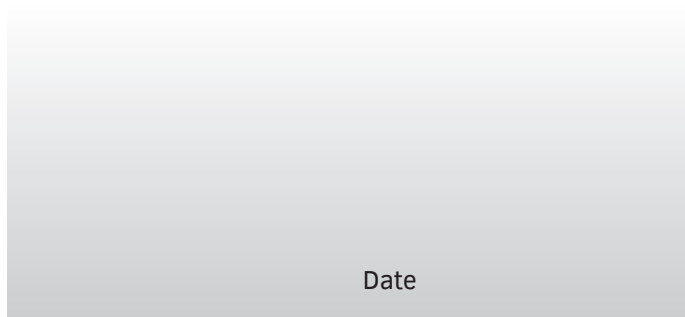
48 Months



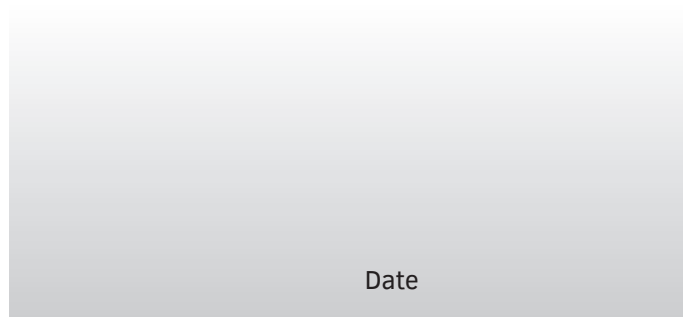
60 Months



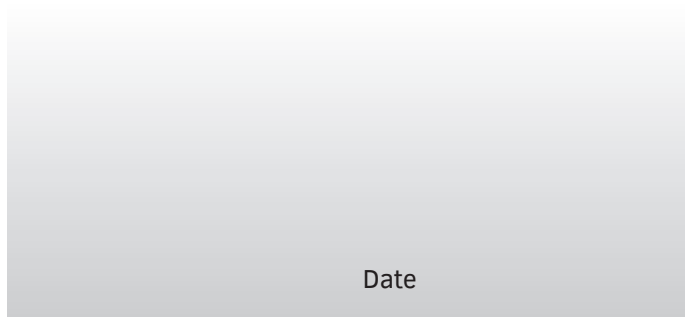
72 Months



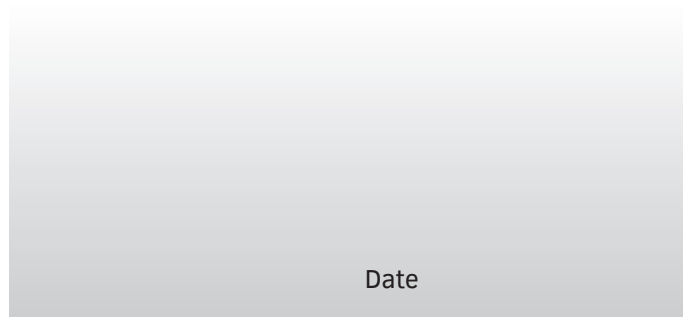
84 Months



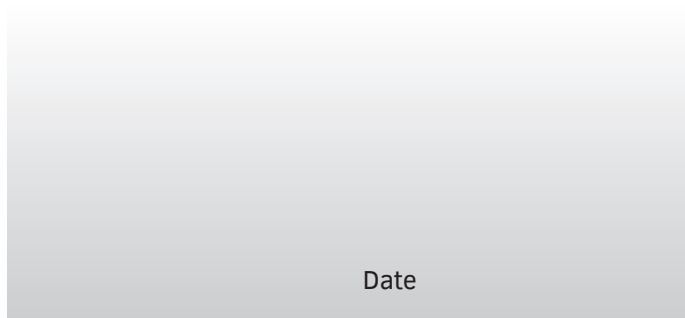
96 Months



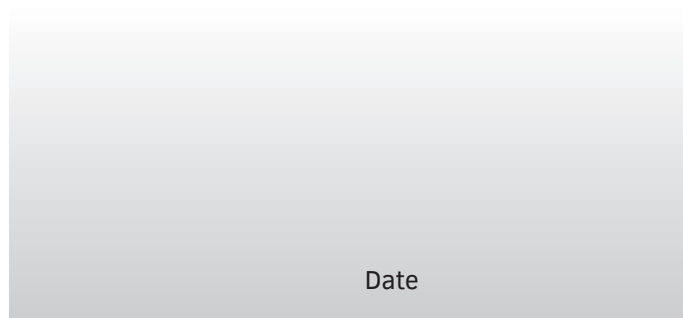
108 Months



120 Months



132 Months



If you have registered online, this form is not necessary.
PLEASE POST THIS COPY TO THE ADDRESS OVERLEAF

Product Information (* Compulsory)

*Model No:	
*Product No:	
*Serial No:	
*Date of Purchase:	

Personal Information (* Compulsory)

*Title		*Forename		*Surname		
*House Number		*House Name				
*Address 1						
*Address 2						
*Town						
*County						
*Postcode						
Home Tel				Mobile Tel		
Email						

Age	18 to 25	26 to 35	36 to 45	46 to 60	61 to 80	81 & over
*Usage	Domestic Use			Commercial/Professional/Hire Use		

*Dealer Stamp (if available)



*Selling Retailer (If dealer stamp not available)

*Dealer Name	
*Dealer Address	
*Date of Purchase	

Webb Lawnmowers privacy commitment to machine owners.
The information supplied, helps us to improve the products & services we provide, including information that we believe is relevant to your and/or your machine. We value your trust by giving us this information about yourself and we are committed to protecting your privacy.

Webb, its associated companies, authorised dealers or third parties working on our behalf may wish to contact you regarding **PRODUCT RECALLS** specific to your machine. Please advise how you wish to be contacted for this specific reason only:

Post Telephone Email

From time to time Webb, its associated companies, authorised dealers or third parties working on our behalf may wish to contact you regarding our products, services, offers or just opinions, which may be used for marketing, research or analysis purposes.
If you wish to be contacted by any of the following methods, please tick the relevant boxes:

Post Telephone Email

You may give Webb Lawnmowers notice in writing at any time that you no longer wish to receive direct marketing communications

Webb Lawnmowers
Murdock Road
Dorcan
Swindon
Wiltshire
SN3 5HY