

CALEX
H O L L A N D

SMART 



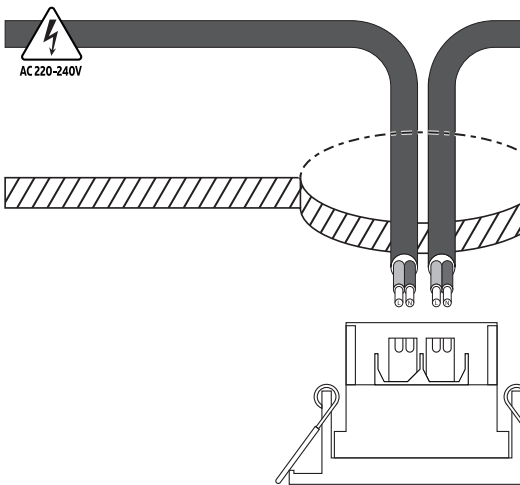
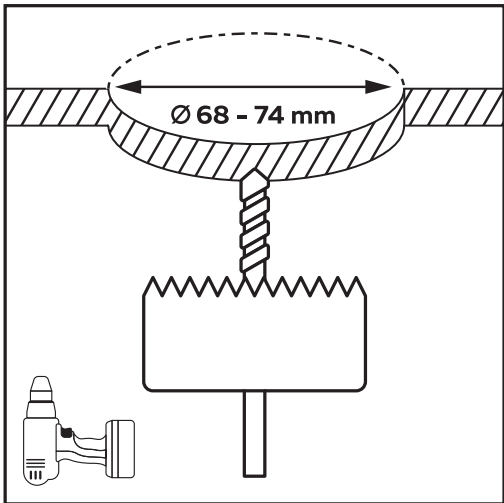
This manual, **A**, contains descriptions of all necessary steps for assembling and installing this product. Refer to the icons in the supplementary manual, **B**, to see which of the following points apply to this product:

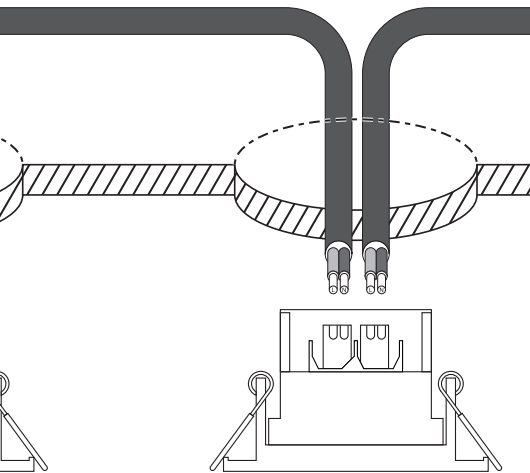
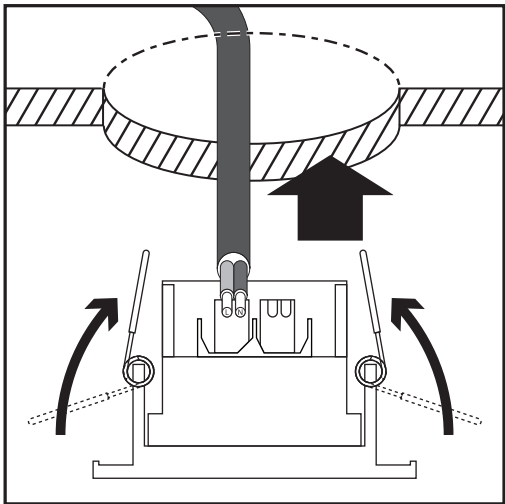
**02, 05, 07, 09, 10, 11, 13, 15, 16, 17, 25, 27, 28, 30,
32, 33, 34, 35**

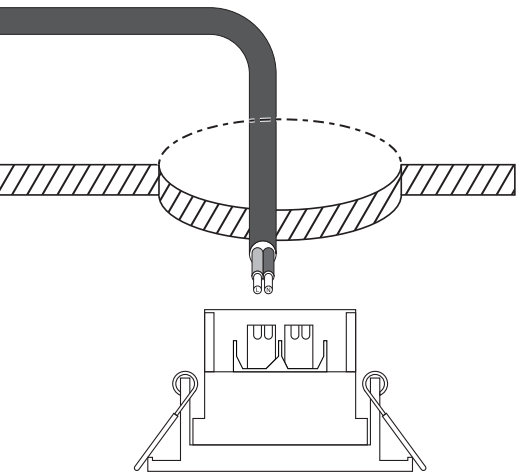
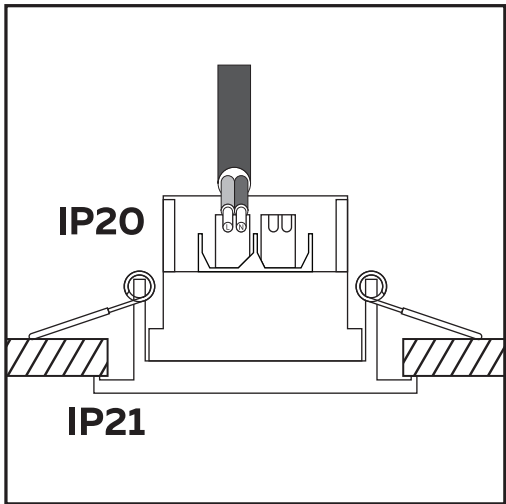
CAUTION: Always switch off mains supply before servicing.

Luminaire Installation:

- Shut OFF the power before installing the product.
- Open the easy connector, connect the cable with the connector, make sure the cable wires are correct to connect.
- Close the easy connector and tighten it firmly
- Turn on the power and test the luminaire







CALEX
H O L L A N D

SMART 



01



02



03



04



05



06



07



08



09



10



11



12



13



14



15



16



17



18



19



20



21



22



23



24



25



26



27



28



29



30



31



32



33



34



35



36



37



This manual, **B**, contains descriptions of all parameters, specifications and relevant icons in accordance with international standards and safety regulations. However, these do not always apply to the product you purchased. Refer to the icons in the supplementary manual, **A**, to see which of the following points apply to this product.

Always turn off the power before starting any installation, maintenance, or repair. **If applicable**, before you start, make sure that there is no voltage on the product when you start the assembly. The best way to do this is to disconnect the power from the mains until the moment installation, repairs or the assembly is complete. **If in doubt**, consult a qualified electrician or the store where you purchased the product. Make sure that you **always** install the product according to the relevant regulations. According to some regulations, electrical products must **only** be installed by a qualified electrician.

- 01 before installing this product, check which plugs and screws are best suited for the intended surface;
- 02 do not connect the product to a power supply while it is still in the package;
- 03 do not connect the product to a power supply while it is wound onto a reel;
- 04 do not use the product when covered or recessed into a surface;
- 05 do not open this product.
- 06 **Safety Class I:** this product must to be connected to an earthed socket; the luminaire is equipped with a ground terminal and must therefore be earthed; connect the ground wire (yellow green vein) to the ⊕-marked terminal.
- 07 **Safety Class II:** This product is double insulated and does not need to be connected to an earthed socket.
- 08 **Safety Class III:** this product is only suitable for very low safety voltage (e.g. 12V)
- 09 **Intended use:** only indoors
- 10 The luminaire must not be covered with insulating material.
- 11 The luminaire is not suitable for installation in the bathroom, at least not in the indicated area
- 12 The luminaire is only suitable for wall mounting
- 13 The luminaire is only suitable for ceiling mounting
- 14 The luminaire is suitable for wall and ceiling mounting
- 15 Strip the wire as indicated in the icon
- 16 **IP20:** This product is intended for use in dry spaces indoors
IP23: Rain resistant
IP44 : Splash proof. The product is protected against the intrusion of solid objects greater than 1 mm in size and water spray from any direction.
IP54: Protected from limited dust ingress, protected from water spray from any direction.
IP65: The product is dustproof and protected from water jets. The luminaire cannot be used if the housing is broken.
- 17 This luminaire is (IP20) for components in the ceiling and (IP21) (IP23) (IP44) (IP65) for components under the ceiling, provided that this luminaire is installed correctly.
- 18 **If the protective glass is damaged, it must be replaced immediately.**
- 19 Always respect the minimum distance between the light source and the illuminated materials as indicated in the icon
- 20 **Max. ... W:** Use only lamps of the correct type and never exceed the maximum indicated wattage.
- 21 Use a heat-resistant cable to connect the luminaire to the mains
- 22 This luminaire is only suitable for lamps with built-in protection or 'low pressure' lamps. An extra protective glass is not required.
- 23 The luminaire is equipped with a built-in fuse. **If the luminaire does not work after replacing the lamp, this fuse must be replaced. If the fixed connection wiring of the installation can be touched, this may only be done by a qualified electrician.**
- 24 This luminaire is suitable for top-mirror lamps
- 25 The luminaire is only suitable for fixed mounting and must therefore not be connected to a power source by means of a connecting cord.
- 26 **Type X:** If the external flexible cable or cord of this fixture is damaged, it will be replaced by a special cord or cord exclusively available from the manufacturer or its service agent.
Type Y: If the external flexible cable or cord of this luminaire is damaged, it should only be replaced by the manufacturer or its service agent or a similarly qualified person in order to avoid a hazard.
Type Z: the external flexible cable or cord of this luminaire cannot be replaced; **If the cord is damaged, the fixture will be destroyed.**
- 27 Note that no electrical or other wires in the ceiling or wall are touched during the installation of this luminaire.
- 28 Electrical installation wires must never be clamped or twisted (twisted) between the luminaire and the mounting surface.
- 29 This product is dimmable and compatible with a TRIAC dimmer.

- 30 This product uses LED technology and is only suitable for it.
- 31 The light source of this luminaire is not replaceable; when the end of the service life has been reached, the entire luminaire must be replaced.
- 32 Replaceable (LED only) light source by a professional
- 33 This product must not be covered by objects. Keep this product away from sharp edges, oils and heat.
- 34 Never use this product in an area where there is a risk of explosion or near flammable substances or gases.
- 35 If this product is passed on to third parties, manuals must be included.
- 36 Keep this product out of the reach of children.
- 37 Turn off the product when you leave the room.

Conformity with all relevant EU Directive requirements



Safety: if applicable: only use this device for intended purpose; do not use this device if damaged or defective. If this product is damaged, especially if the cable or fitting is damaged, this product must be shut down immediately. In this case, replacement is required; before replacing, turn off power and let device cool to avoid electrical shock or burn. The adapter (if applicable) must be installed near the device, not connected to any other adapter, and easily accessible. Products may only be used in combination with the original adapter. This product should only be opened by an authorized technician when maintenance is required. Never carry out repairs yourself. To disconnect voltage: pull the plug.



Disposal, warranty, disclaimer and intended use



Removal of your product. This product is made of high quality materials and parts that can be recycled. If you see this symbol on your product, it means that the product is covered by EU Directive 2002/96 / EC. Ask your own local government about the way in which electrical and electronic products are collected separately in your region. When disposing of old products, observe local legislation and do not dispose of these products in the normal household waste. Properly disposing of old products will prevent adverse effects on the environment and public health.

Warranty: Any changes and/or modifications to the product will void the warranty. We cannot accept any liability for damage caused by incorrect use of the product. **Disclaimer:** designs and specifications might be subjected to change without notice. All logos, brands and used product references are trademarks or registered trademarks of their respective holders and hereby recognized as such.



Intended use: indoor

Declaration of Conformity

Hereby, Calex Smart Home UK Ltd. declares that this radio equipment is in compliance with Directive 2014/53/EU and the relevant statutory requirements, produced in China and the products passed a test according to all relevant CE and UKCA standards, regulations and statutory instruments. The full text of the (EU and UKCA) Declaration of Conformity is available at the following internet address: <http://www.calex.eu>

Postal UK: 20 Gresham Street, EC2V 7JE London, United Kingdom

Postal EU: Lyonstraat 29, 3047 AJ, Rotterdam, the Netherlands

CALEX
H O L L A N D

SMART 



**Please check out our Smart playlist on Youtube
for more help and inspiration for this product.**



IOS



ANDROID



Getting started

Before you start adding this Calex Smart product, write down the name and password, including spaces and capital letters, of your WiFi network. Make sure you have a strong Wi-Fi signal.

Note: This item only works on 2.4GHz WiFi network, not on 5GHz WiFi network. If you get a message that the product only works on 2.4 GHz networks, then you need to change your network's Wi-Fi frequency to 2.4 GHz in the settings menu of the router. Please contact your internet provider for this.

1. Download the Calex Smart app from the Google Play Store, the Apple Store or scan the QR code.
2. Open the app. Are you using the app for the first time? Then follow the instructions on the screen to create your account.
3. Turn on lamp. Do you have bluetooth on your phone and is it turned on? Then a connection is made automatically. Can't connect automatically? Then add this lamp by touching the + (top right corner of the screen). Follow the prompts to complete the installation. For more information, see our website: www.calex.eu
4. Reset: You may need to reset the product first. You do this by switching the lamp off and on again three times. The lamp will start blinking. Then proceed with step 3.

5 Years security update for App, Cloud and Tuya module firmware from date of purchase.