

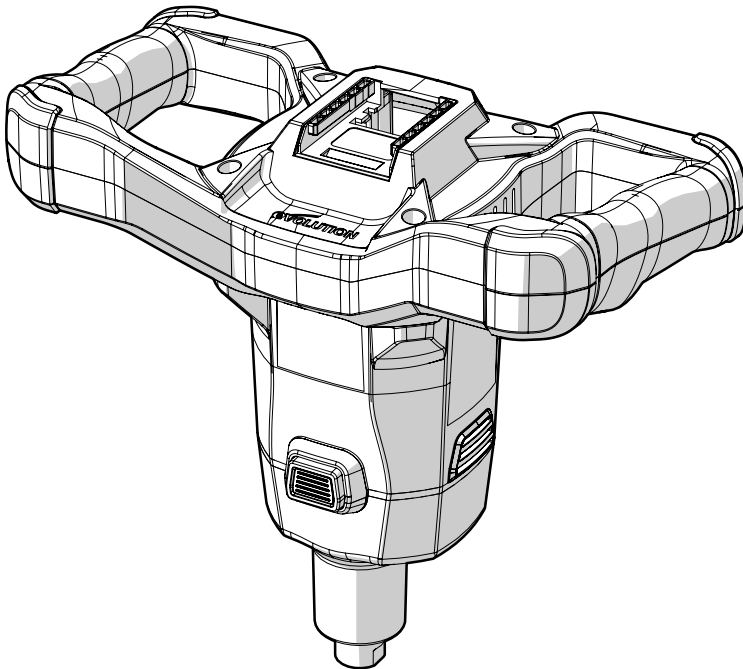
evOLUTION®

evolutionpowertools.com

R120

MXR Li

Original Instructions



IMPORTANT

Please read these operating and safety instructions carefully and completely.

For your own safety, if you are uncertain about any aspect of using this equipment please access the relevant technical helpline, the number of which can be found on the Evolution Power Tools website.

We operate several helplines throughout our worldwide organisation, but technical help is also available from your supplier.

WEB

www.evolutionpowertools.com

EMAIL

UK:

customer.services@evolutionpowertools.com

US: evolutioninfo@evolutionpowertools.com

GUARANTEE

Congratulations on your purchase of an Evolution Power Tools Machine. Please complete your product registration 'online' as explained on the leaflet included with this machine. This will enable you to validate your machine's guarantee period via Evolution's website by entering your details and thus ensure prompt service if ever needed. We sincerely thank you for selecting a product from Evolution Power Tools.

Evolution Power Tools reserves the right to make improvements and modifications to the product design without prior notice.

Please refer to the guarantee registration leaflet and/or the packaging for details of the terms and conditions of the guarantee.

R120MXR-Li SPECIFICATIONS

MACHINE SPECIFICATIONS	UK/EU/AUS	USA
Product Code	087-0001, 087-0001-K, 087-0001A-K, 087-0001A, 087-0001B, 087-0001B-K, 087-0001C	087-0004, 087-0004A
Power	18V d.c.	20V d.c.
No Load Speed	0-650min ⁻¹	0-650rpm
Weight without paddle (no battery)	3.9kg	8.6lbs
Weight with paddle (no battery)	5.1kg	11.2lbs
Max capacity	40L	
Paddle size (supplied)	120mm	4-11/16"
Paddle fitment	14mm (female)	8/16"
Supplied paddle	120mm (4-11/16") Helix - multipurpose paddle	

NOISE & VIBRATION DATA	
Sound Power Level (L_{WA})	18V/20V: L_{WA} : 90.5dB(A), K_{WA} : 3dB(A)
Sound Pressure Level (L_{pA})	18/20V: L_{pA} : 79.5dB(A), K_{pA} : 3dB(A)
Vibration (m/sec ²) Left handle	18/20V: a_h = 1.777 m/s ² Uncertainty K=1.5m/s ²
Vibration (m/sec ²) Right handle	18/20V: a_h = 1.655 m/s ² Uncertainty K=1.5m/s ²

Note: The vibration measurement was made under standard conditions in accordance with: EN 62841-1: 2015, EN 62841-2-10:2017

The declared vibration total value has been measured in accordance with a standard test method and may be used for comparing one tool with another.

The declared vibration total value may also be used in a preliminary assessment of exposure.

VIBRATION

WARNING: When using this machine the operator can be exposed to high levels of vibration transmitted to the hand and arm. It is possible that the operator could develop "Vibration white finger disease" (Raynaud syndrome). This condition can reduce the sensitivity of the hand to temperature as well as producing general numbness. Prolonged or regular users of this machine should monitor the condition of their hands and fingers closely. If any of the symptoms become evident, seek immediate medical advice.

- The measurement and assessment of human exposure to hand-transmitted vibration in the workplace is given in: EN 62841-1 and EN 62841-2-10
- Many factors can influence the actual vibration level during operation e.g. the work surfaces condition and orientation and the type and condition of the machine being used. Before each use, such factors should be assessed, and where possible appropriate working practices adopted. Managing these factors can help reduce the effects of vibration:

Handling

- Handle the machine with care, allowing the machine to do the work.
- Avoid using excessive physical effort on any of the machines controls.
- Consider your security and stability, and the orientation of the machine during use.

Work Surface

- Consider the work surface material; its condition, density, strength, rigidity and orientation.





WARNING: The vibration emission during actual use of the power tool can differ from the declared total value depending on the ways in which the tool is used. The need to identify safety measures and to protect the operator are based on an estimation of exposure in the actual conditions of use (taking account of all parts of the operating cycle, such as the times the tool is switched off, when it is running idle, in addition to trigger time).

LABELS & SYMBOLS

WARNING: Do not operate this machine if warning and/or instruction labels are missing or damaged. Contact Evolution Power Tools for replacement labels.

Note: All or some of the following symbols may appear in the manual or on the product.

Symbol	Description
V	Volts
A	Amperes
Min ⁻¹ /rpm	Speed
~	Alternating Current
n ₀	No Load Speed
	Wear Safety Goggles
	Wear Ear Protection
	Wear Dust Protection
	Read Instructions
	Double Insulated
	CE Certification
	UKCA Certification
	TUV SUD Certification
	Waste Electrical & Electronic Equipment
	Triman - Waste Collection & Recycling
	Warning
	(RCM) Regulatory Compliance Mark for electrical and electronic equipment. Australian/New Zealand Standard 5490

	Keep away from heat and open flames - Do not dispose in fire
	Keep away from water - do not immerse in liquids
	Max temperature
	DC voltage

INTENDED USE OF THIS POWER TOOL

WARNING: This product is a Hand Held cordless paddle mixer and has been designed to be used with Evolution mixing paddles. Only use accessories designed for use in this machine and/or those recommended specifically by Evolution Power Tools Ltd.

When fitted with an appropriate paddle this machine can be used to mix:

Plaster | Paint | Mortar | Adhesive
Cement | Powder Based Building Products

PROHIBITED USE OF THIS POWER TOOL

WARNING: This product is a Hand Operated cordless paddle mixer and must only be used as such. It must not be modified in any way, or used to power any other equipment or drive any other accessories other than those mentioned in this Instruction Manual.

This mixer must not be used for the preparation of any food material.

WARNING: This machine is not intended for use by persons (including children) with reduced physical, sensory or mental capabilities, or lack of experience and knowledge, unless they have been given supervision or instruction concerning the safe use of the machine by a person responsible for their safety and who is competent in its safe use.

Children should be supervised to ensure that they do not have access to, and are not allowed to play with, this machine.

POWER TOOL GENERAL SAFETY INSTRUCTIONS

(2.1) GENERAL SAFETY INSTRUCTIONS

(These General Power Tool Safety Instructions are as specified in EN 62841-1: 2015, UL Std. UL 62841-1 and CSA Std. C22.2 No. 62841-1).

WARNING: Read all safety warnings, instructions, illustrations and specifications provided with this power tool. Failure to follow the warnings and instructions may result in electric shock, fire and/ or serious injury.

Save all warnings and instructions for future reference.

The term "power tool" in the warnings refers to your mains-operated (corded) power tool or battery-operated (cordless) power tool.

WARNING: Read all safety warnings and instructions. Failure to follow the warnings and instructions may result in electric shock, fire and/ or serious injury.

Save all warnings and instructions for future reference. The term "power tool" in the warnings refers to your mains-operated (corded) power tool or battery-operated (cordless) power tool.

(2.2) 1) General Power Tool Safety Warnings [Work area safety]

- a) Keep work area clean and well lit.** Cluttered or dark areas invite accidents.
- b) Do not operate power tools in explosive atmospheres, such as in the presence of flammable liquids, gasses or dust.** Power tools create sparks which may ignite the dust or fumes.
- c) Keep children and bystanders away while operating power tool.** Distractions can cause you to lose control.

(2.3) 2) General Power Tool Safety Warnings [Electrical Safety]

- a) Power tool plugs must match the outlet. Never modify the plug in any way. Do not use any adapter plugs with earthed (grounded) power tools.** Unmodified plugs and matching outlets will reduce risk of electric shock.
- b) Avoid body contact with earthed or grounded surfaces, such as pipes, radiators, ranges and refrigerators.** There is an increased risk of electric shock if your body is earthed or grounded.
- c) Do not expose power tools to rain or wet conditions.** Water entering a power tool will increase the risk of electric shock.
- d) Do not abuse the cord. Never use the cord for carrying, pulling or unplugging the power tool. Keep cord away from heat, oil, sharp edges or moving parts.** Damaged or entangled cords increase the risk of electric shock.
- e) When operating a power tool outdoors, use an extension cord suitable for outdoor use.** Use of a cord suitable for outdoor use reduces the risk of electric shock.

f) If operating a power tool in a damp location is unavoidable, use a residual current device (RCD) protected supply. Use of an RCD reduces the risk of electric shock.

(2.4) 3) General Power Tool Safety Warnings [Personal Safety].

- a) Stay alert, watch what you are doing and use common sense when operating a power tool.** Do not use a power tool while you are tired or under the influence of drugs, alcohol or medication. A moment of inattention while operating power tools may result in serious personal injury.
- b) Use personal protective equipment.** Always wear eye protection. Protective equipment such as dust masks, non-skid safety shoes, hard hat or hearing protection used for appropriate conditions will reduce personal injuries.
- c) Prevent unintentional starting.** Ensure the switch is in the off-position before connecting to power source and or battery pack, picking up or carrying the tool. Carrying power tools with your finger on the switch or energising the power tools that have the switch on invites accidents.
- d) Remove any adjusting key or wrench from blade bolt before turning the power tool on.** A wrench or key left attached to a rotating part of a power tool may result in personal injury.
- e) Do not overreach. Keep proper footing and balance at all times.** This enables better control of the power tool in unexpected situations.
- f) Dress properly.** Do not wear loose clothing or jewellery. Keep your hair, clothing and gloves away from moving parts. Loose clothes, jewellery or long hair can be caught in moving parts.
- g) If devices are provided for the connection of dust extraction and collection facilities, ensure that these are connected and properly used.** Use of dust collection can reduce dust-related hazards.
- h) Do not let familiarity gained from frequent use of tools allow you to become complacent and ignore tool safety principles.** A careless action can cause severe injury within a fraction of a second.

(2.5) 4) General Power Tool Safety Warnings [Power tool use and care].

- a) Do not force the power tool.** Use the correct power tool for your application. The correct power tool will do the job better and safer at a rate for which it was designed.
- b) Do not use the power tool if the switch does not turn it on or off.** Any power tool that cannot be controlled with the switch is dangerous and must be repaired.
- c) Disconnect the power tool from the power source from the power tool before making any adjustments, changing accessories, or**

storing power tools. Such preventative safety measures reduce the risk of starting the power tool accidentally.

d) Store idle power tools out of the reach of children and do not allow persons unfamiliar with the power tool or these instructions to operate the power tool. Power tools are dangerous in the hands of untrained users.

e) Maintain power tools. Check for misalignment or binding of moving parts, breakage of moving parts and any other condition that may affect the power tools operation. If damaged, have the power tool repaired before use. Many accidents are caused by poorly maintained power tools.

f) Keep cutting tools sharp and clean.

Properly maintained cutting tools with sharp cutting edges are less likely to bind and are easier to control.

g) Use the power tool, accessories and tool bits etc. in accordance with these instructions, taking into account the working conditions and the work to be performed. Use of the power tool for operations different from those intended could result in a hazardous situation.

h) Keep handles and grasping surfaces dry, clean and free from oil and grease. Slippery handles and grasping surfaces do not allow for safe handling and control of the tool in unexpected situations.

(2.6) 5) Battery tool use and care

a) Recharge only with the charger specified by the manufacturer. A charger that is suitable for one type of battery pack may create a risk of fire when used with another battery pack.

b) Use power tools only with specifically designated battery packs. Use of any other battery packs may create a risk of injury and fire.

c) When battery pack is not in use, keep it away from other metal objects, like paper clips, coins, keys, nails, screws or other small metal objects, that can make a connection from one terminal to another. Shorting the battery terminals together may cause burns or a fire.

d) Under abusive conditions, liquid may be ejected from the battery; avoid contact. If contact accidentally occurs, flush with water. If liquid contacts eyes, additionally seek medical help. Liquid ejected from the battery may cause irritation or burns.

e) Do not use a battery pack or tool that is damaged or modified. Damaged or modified batteries may exhibit unpredictable behaviour resulting in fire, explosion or risk of injury.

f) Do not expose a battery pack or tool to fire or excessive temperature. Exposure to fire or temperature above 130 °C may cause explosion.

Note: The temperature „130 °C“ can be replaced by the temperature „265 °F“.

g) Follow all charging instructions and do not charge the battery pack or tool outside the temperature range specified in the instructions. Charging improperly or at temperatures outside the specified range may damage the battery and increase the risk of fire.

6) Service

a) Have your power tool serviced by a qualified repair person using only identical replacement parts. This will ensure that the safety of the power tool is maintained.

b) Never service damaged battery packs. Service of battery packs should only be performed by the manufacturer or authorized service providers.

Mixer safety instructions

a) Hold the tool with both hands at the intended handles. Loss of control can cause personal injury.

b) Ensure sufficient ventilation when mixing flammable materials to avoid a hazardous atmosphere. Developing vapour may be inhaled or be ignited by the sparks the power tool produces.

c) Do not mix food. Power tools and their accessories are not designed for processing food.

d) Ensure that the mixing container is placed in a firm and secure position to prevent the container from turning. A container that is not properly secured may move unexpectedly.

e) Ensure that no liquid splashes against the housing of the power tool. Liquid that has penetrated the power tool can cause damage and lead to electric shock.

f) Follow the instructions and warnings for the material to be mixed. Material to be mixed may be harmful.

g) If the power tool falls into the material to be mixed, removed the battery from the machine and have the power tool checked by a qualified repair person.

h) Do not reach into the mixing container with your hands or insert any other objects into it while mixing. Contact with the mixer basket may lead to serious personal injury.

i) Start up and run down the tool in the mixing container only. The mixer basket may bend or spin in an uncontrolled manner.

HEALTH ADVICE

WARNING: When using this machine, dust particles may be produced. In some instances, depending on the materials you are working with, this dust can be particularly harmful. If you suspect that paint on the surface of material you wish to cut contains lead, seek professional advice. Lead based paints should only be removed by a professional and you should not attempt to remove it yourself. Once the dust

has been deposited on surfaces, hand to mouth contact can result in the ingestion of lead. Exposure to even low levels of lead can cause irreversible brain and nervous system damage. The young and unborn children are particularly vulnerable.

You are advised to consider the risks associated with the materials you are working with and to reduce the risk of exposure. As some materials can produce dust that may be hazardous to your health, we recommend the use of an approved face mask with replaceable filters when using this machine.

You should always:

- Work in a well-ventilated area.
- Work with approved safety equipment, such as dust masks that are specially designed to filter microscopic particles.

WARNING: the operation of any power tool can result in foreign objects being thrown towards your eyes, which could result in severe eye damage. Before beginning power tool operation, always wear safety goggles or safety glasses with side shield or a full face shield where necessary.

ADDITIONAL SAFETY INSTRUCTIONS

- A suitable industrial mixing tub, preferable plastic, should be sourced and sited on a secure and stable horizontal surface.
- The operator should adopt a secure stance with both feet firmly planted and slightly apart. This machine also requires the use of both hands. This machine cannot be used 'one handed'.
- The operator should wear close fitting work clothes or a fitted boiler suit when using this equipment. Loose fitting clothes pose a hazard as they can become entangled in the rotating parts of the machine.
- Loose jewellery and jewellery chains etc should be removed and safely stored before operating this machine. Loose jewellery can pose a hazard as it can become entangled in the rotating parts of the machine.
- The operator should hold this machine firmly by the insulated handles which have an ergonomic gripping surface.
- Safety eye goggles or a full face mask should always be worn to provide protection from material that could be accidentally ejected from the mixing tub during mixing operations.
- A dust mask should be worn to provide protection from any material that may be ejected from the mixing tub, especially during the initial mixing process.
- The machine should only be started with the mixing paddle in the mixing tub. Start the machine with the speed set at the lowest speed setting and gradually increase the

speed until the optimum mixing performance is achieved.

- The operator should never reach into the mixing tub or insert any other objects or tools into the mixing tub while mixing is in progress.
- This machine should not be used in environments with a potentially explosive atmosphere. This could include factories, garages and other enclosed spaces (bakeries, grain silos etc) which may contain significant amounts of airborne dust or other particles.
- This machine should not be used to mix any readily flammable solvents or solvent containing substances with a flash point of below 21°C.
- During operations if the machine is to be stored temporarily (by being placed on a horizontal work surface), the operator must ensure that the machine is placed on its handles with the paddle providing a third contact point.

GETTING STARTED - UNPACKING

Caution: This packaging contains sharp objects. Take care when unpacking. Remove the machine, together with the accessories supplied from the packaging. Check carefully to ensure that the machine is in good condition and account for all the accessories listed in this manual. Also make sure that all the accessories are complete. If any parts are found to be missing, the machine and its accessories should be returned together in their original packaging to the retailer. Do not throw the packaging away; keep it safe throughout the guarantee period. Dispose of the packaging in an environmentally responsible manner. Recycle if possible. Do not let children play with empty plastic bags due to the risk of suffocation.

ITEMS SUPPLIED

Description	087-0001, 087-0001-K, 087-0004,	087-0001 A, 087-0001-AK, 087-0001B, 087-0001BK, 087-0001C, 087-0004A
Instruction Manual	✓	✓
Cordless paddle mixer motor Unit	✓	✓
Helicon 120mm mixing paddle (UP mixing)	✓	✓
Paddle spanner	✓	✓
2Ah Battery		
4Ah Battery		
5Ah Battery		✓
8Ah Battery		
Single dock charger		✓
Double dock charger		

ADDITIONAL ACCESSORIES

In addition to the standard items supplied with this machine the following accessories are also available from the Evolution online shop at www.evolutionpowertools.com or from your local retailer.

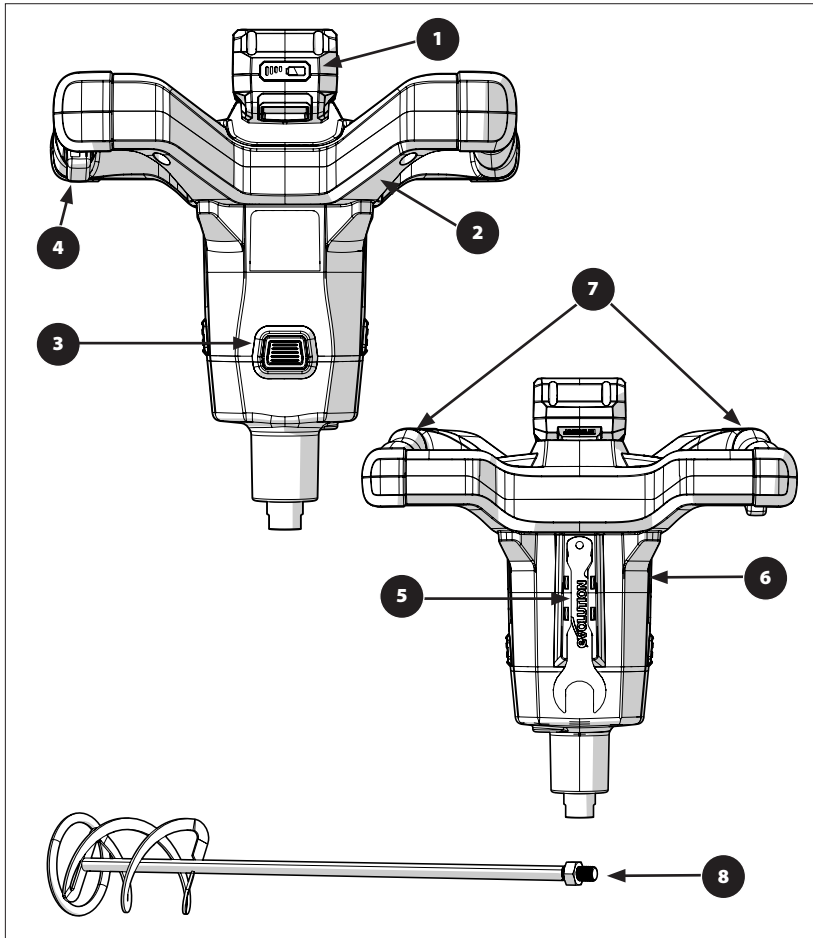
Description	Part No
Parallel 120mm paddle	123-0001
Spiral 120mm paddle	123-0002
Helicon 120mm paddle (UP mixing)	123-0003
Helicon 120mm paddle (DOWN mixing)	123-0004
Helicon 140mm paddle (UP mixing)	123-0005

WARNING: Since accessories, other than those offered by Evolution Power Tools Ltd, have not been tested with this product, Use of such accessories with this tool could be hazardous. To reduce the risk of injury only Evolution recommended accessories should be used with this product.

RECOMMENDED BATTERIES/CHARGERS

Description	Part No	
2Ah Battery	R18BAT-Li2, R20BAT-Li2	EBAT18-Li-2
4Ah Battery	R18BAT-Li4, R20BAT-Li4	EBAT18-Li-4, EHPB18-Li-4
5Ah Battery	R18BAT-Li5, R20BAT-Li5	EBAT18-Li-5
8Ah Battery	R18BAT-Li8, R20BAT-Li8	EHPB18-Li-8
R18RCH-Li1- Single dock charger	R18RCH-Li1, R20RCH-Li1	EFC18-Li
R18RCH-Li2 - Double dock charger	R18RCH-Li2, R20RCH-Li2	EMC18-Li

If you intend to store a battery for a period without use then store battery at room temperature (0°C to 20°C) When storing for very long periods, boost charge the battery once per year to prevent over discharge; the Ambient temperature range for tool and battery use: 0°C to 40°C; The charging temperature: 5°C to 40°C

R120MXR-Li MACHINE OVERVIEW

1. BATTERY PACK
2. LED WORK LIGHT
3. ARBOUR LOCK BUTTON
4. VARIABLE SPEED TRIGGER
5. ONBOARD TOOL STORAGE
6. MOTOR UNIT
7. HANDLES
8. PADDLE

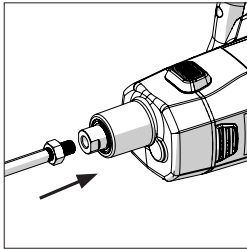


Fig. 1

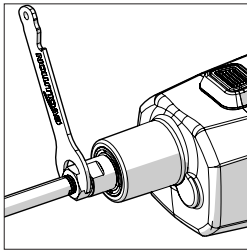


Fig. 2

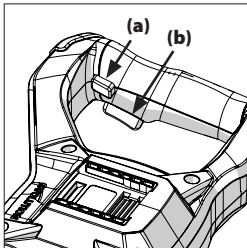


Fig. 3

ASSEMBLY

The Mixing Paddle

Note: The Evolution paddle mixer is supplied with a multipurpose mixing paddle.

Inserting and removing the mixing paddle (Fig.1)

- 1) Insert the paddle thread into the arbor by turning it clockwise.
- 2) Tighten the paddle by pushing and holding the arbor lock button and using the wrench supplied tighten the paddle clockwise.
- 3) To remove the paddle push and hold the arbor lock button and use the wrench supplied and proceed in reverse order

Note: The machines arbor (**Fig. 2**) projects from the motor unit, and has two flats machined on it to accommodate the supplied spanner. The internal hole in the arbor contains a $\varnothing 14$ mm thread. This internal thread matches the external $\varnothing 14$ mm thread found on the mixing paddle shaft. The mixing maddle should be screwed into the machines arbor and securely tightened.

Hand position

WARNING: to reduce the risk of serious injury, ALWAYS hold the machine with both hands on the intended handles, take a secure stance and concentrate on the work. Reverse torque at the handles can cause a Loss of control and can cause personal injury.

OPERATING INSTRUCTIONS

To install/remove the battery

To install the battery insert firmly into the tool until you hear an audible click, ensuring the battery is fully seated and latched into position. To remove the battery depress the battery release button and pull the battery out of the tool.

Running the mixer and variable speed control

- Do not use this tool to mix or pump easily combustible or explosive fluids (Benzine, Alcohol, etc)
- Do not mix or stir flammable liquids labelled accordingly
- Always check the flammability warnings on any product before attempting to mix.
- Secure the mixing container against turning.
- Always wear protective goggles, gloves and a breathing mask when working with the machine.
- Wear ear protectors when working for long periods of time. High noise levels over a prolonged period of time may effect your hearing.

Note: The Trigger Switch is ergonomically located on the underside of the RH handle.

- 1) Press the safety locking button (**Fig. 3a**) and keep pressed, then press the trigger (**Fig. 3b**)
- 2) Press the trigger to increase the rotational speed.
- 3) To switch off, release the trigger switch.

During the mixing process you should guide the mixer around the container to ensure a more consistent mix. Continue until all the material is completely mixed.

Caution: If the mixer comes into contact with the surface of the container while running, it may kick back.

Caution: ALWAYS reduce the speed when submerging the mixer in the material or lifting it out. Once the mixer is fully submerged, increase the speed again to ensure that the motor is adequately cooled.

LED work light

Once the trigger switch is depressed the LED work light will come on.

TROUBLESHOOTING

Overload protection: The machine has shut down by itself. The machine is too hot! Allow the machine to run at idle speed until it has cooled down.

MAINTENANCE

WARNING: To reduce the risk of serious personal injury, turn off and disconnect battery pack before making any adjustments or removing / installing attachments or accessories.

Clean the machine and the paddle immediately after use.

Use a clean, slightly damp cloth to clean the plastic parts of the machine. Do not use solvents or similar products which could damage the plastic parts.

Excessive sparking may indicate the presence of dirt in the motor or worn out carbon brushes. If this is suspected have the machine serviced and the brushes replaced by a qualified technician.

ENVIRONMENTAL PROTECTION

Never place any electric power tools in your household refuse.

To comply with European Directive 2012/19/EU concerning old electric and electronic equipment and its implementation in national laws, old electric power tools have to be separated from other waste and disposed of in an environment-friendly fashion, e.g. by taking to a recycling depot.

Recycling alternative to the return request:

As an alternative to returning the equipment to the manufacturer, the owner of the electrical equipment must make sure that the equipment is properly disposed of if he no longer wants to keep the equipment. The old equipment can be returned to a suitable collection point that will dispose of the equipment in accordance with the national recycling and waste disposal regulations. This does not apply to any accessories or aids without electrical components supplied with the old equipment.

Environmental damage through incorrect disposal of the batteries / rechargeable batteries.

Batteries /rechargeable batteries may not be disposed of with the usual domestic waste. They may contain toxic heavy metals and are subject to hazardous waste treatment rules and regulations. Please dispose of batteries according to the relevant local requirements.

Remove the battery from the product before disposal.



EC DECLARATION OF CONFORMITY



The manufacturer of the product covered by this Declaration is:

UK: Evolution Power Tools, Venture One, Longacre Close, Holbrook Industrial Estate, Sheffield, S20 3FR.

FR: Evolution Power Tools SAS. 61 Avenue Lafontaine, 33560, Carbon-Blanc, Bordeaux, France.

The manufacturer hereby declares that the machine as detailed in this declaration fulfils all the relevant provisions of the Machinery Directive and other appropriate directives as detailed below. The manufacture further declares that the machine as detailed in this declaration, where applicable, fulfils the relevant provisions of the Essential Health and Safety requirements.

The Directives covered by this Declaration are as detailed below:

2006/42/EC.	Machinery Directive.
2014/30/EC.	Electromagnetic Compatibility Directive.
2011/65/EU. & 2015/863/EU.	The Restriction of the Use of certain Hazardous Substances in Electrical Equipment (RoHS) Directive.
2012/19/EU.	The Waste Electrical and Electronic Equipment (WEEE) Directive.

And is in conformity with the applicable requirements of the following documents:

EN 62841-1:2015 • EN 62841-2-10:2017 • EN 55014-1:2017+A11:2020 • EN IEC 55014-1-2021 • EN IEC 55014-2-2021

Product Details

Description:	R120MXR-Li CORDLESS PADDLE MIXER
Product code:	087-0001
Brand Name:	EVOLUTION
Voltage:	18 d.c.

The technical documentation required to demonstrate that the product meets the requirements of directive has been compiled and is available for inspection by the relevant enforcement authorities, and verifies that our technical file contains the documents listed above and that they are the correct standards for the product as detailed above.

Name and address of technical documentation holder.

Signed:  Print: Barry Bloomer - CEO

Date: 22/03/22

UK: Evolution Power Tools, Venture One, Longacre Close, Holbrook Industrial Estate, Sheffield, S20 3FR.

FR: Evolution Power Tools SAS. 61 Avenue Lafontaine, 33560, Carbon-Blanc, Bordeaux, France.

EC DECLARATION OF CONFORMITY**The manufacturer of the product covered by this Declaration is:****UK:** Evolution Power Tools, Venture One, Longacre Close, Holbrook Industrial Estate, Sheffield, S20 3FR.**FR:** Evolution Power Tools SAS. 61 Avenue Lafontaine, 33560, Carbon-Blanc, Bordeaux, France.

The manufacturer hereby declares that the machine as detailed in this declaration fulfils all the relevant provisions of the Machinery Directive and other appropriate directives as detailed below. The manufacture further declares that the machine as detailed in this declaration, where applicable, fulfils the relevant provisions of the Essential Health and Safety requirements.

The Directives covered by this Declaration are as detailed below:

UK legislation _Supply of Machinery (Safety) Regulations 2008;
UK legislation _Electromagnetic Compatibility Regulations 2016;
UK legislation _The Restriction of the Use of Certain Hazardous Substances in Electrical and Electronic Equipment Regulations 2012
UK regulation _ The Waste Electrical and Electronic Equipment Regulations 2013

And is in conformity with the applicable requirements of the following documents:

BS EN 62841-1:2015 • BS EN 62841-2-10: 2017;
BS EN IEC 55014-1-2021 • BS EN IEC 55014-2-2021

Product Details

Description: R120MXR-Li CORDLESS PADDLE MIXER
Product code: 087-0001
Brand Name: EVOLUTION
Voltage: 18 d.c.

The technical documentation required to demonstrate that the product meets the requirements of directive has been compiled and is available for inspection by the relevant enforcement authorities, and verifies that our technical file contains the documents listed above and that they are the correct standards for the product as detailed above.

Name and address of technical documentation holder.

Signed:  Print: Barry Bloomer - CEO

Date: 22/03/22

UK: Evolution Power Tools, Venture One, Longacre Close, Holbrook Industrial Estate, Sheffield, S20 3FR.**FR:** Evolution Power Tools SAS. 61 Avenue Lafontaine, 33560, Carbon-Blanc, Bordeaux, France.

evOLUTION®

evolutionpowertools.com

AUS

Total Tools (Importing) Pty Ltd
20 Thackray Road
Port Melbourne
Vic 3207

T: 03 9261 1900

FR

Evolution Power Tools SAS
61 Avenue Lafontaine
33560, Carbon-Blanc
Bordeaux

T: +33 (0)5 57 30 61 89

UK

Evolution Power Tools Ltd
Venture One, Longacre Close
Holbrook Industrial Estate
Sheffield, S20 3FR

T: +44 (0)114 251 1022

USA

Evolution Power Tools LLC
8363 Research Drive
Davenport, IA
52806

T: +1-833-MULTI-SAW (Toll Free)

DE +44 (0)114 251 1022

ES +34 91 114 73 85

NL +44 (0)114 251 1022

PL +48 33 821 0922

PT +34 91 114 73 85

RO +44 (0) 114 2050458

RU +7 499 350 67 69

TR +90 (0) 312 9001810



EPT QR CODE