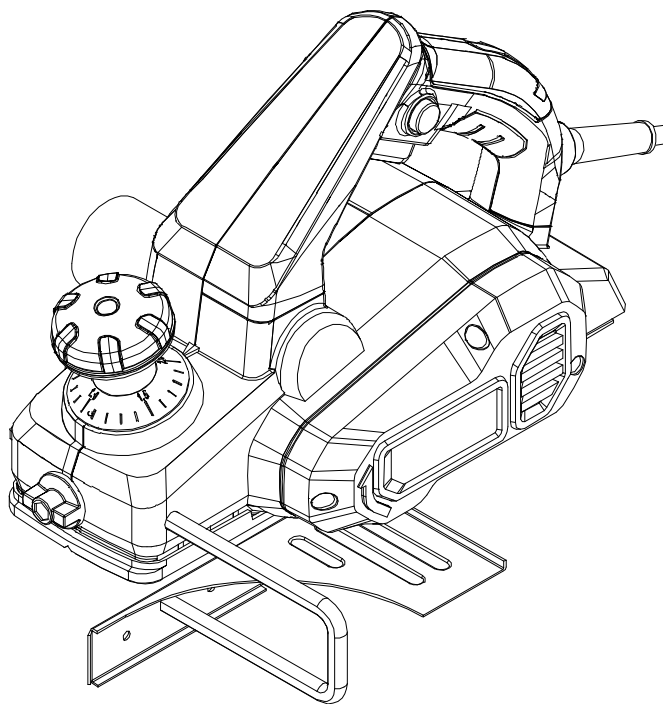











**TITAN**



EAN 5059340451923

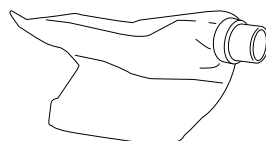
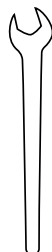
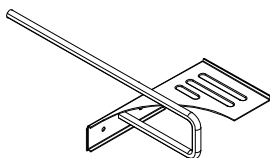
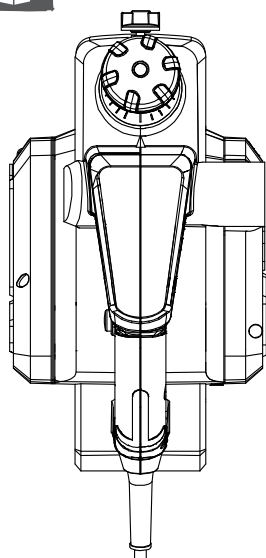
# TTB930PLN

ORIGINAL INSTRUCTIONS

	Safety instructions	7
	Product description	14
	Assembly	16
	Use	18
	Care & maintenance	21
	Guarantee	27
	Declaration of conformity	29

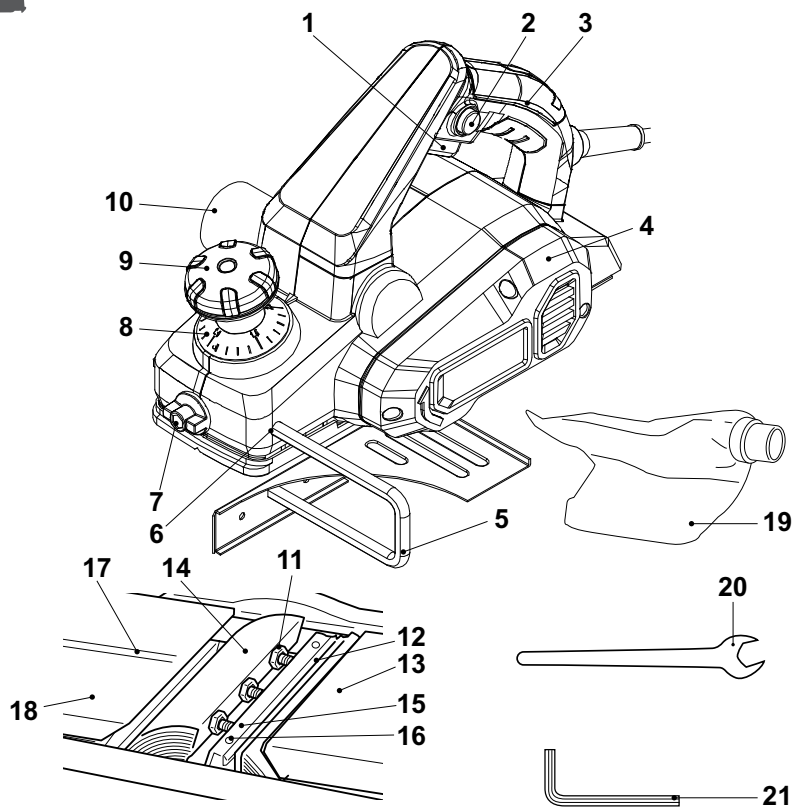
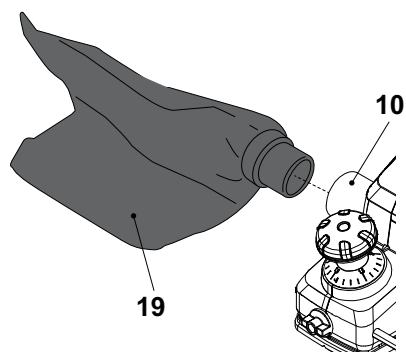
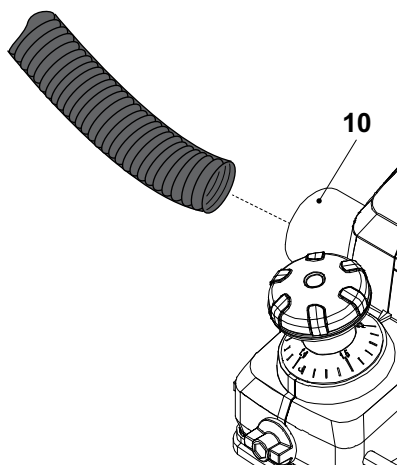


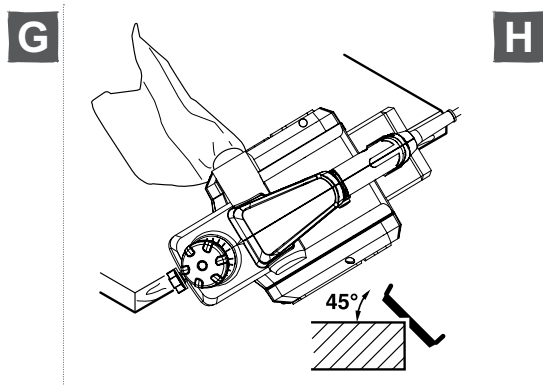
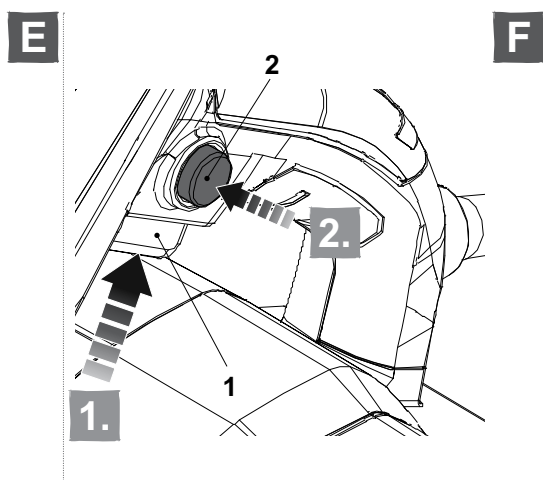
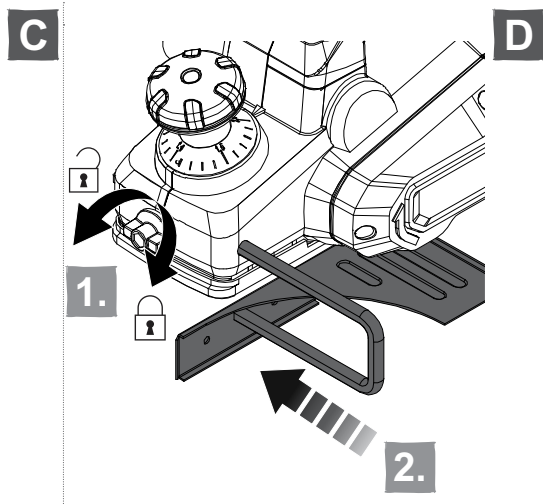
**WARNING!** Please read all safety warnings carefully and be sure that they are fully understood before handling the tool.

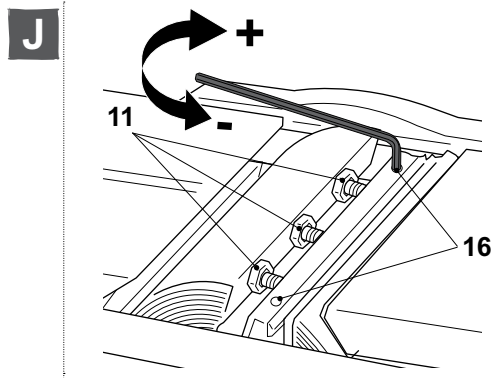
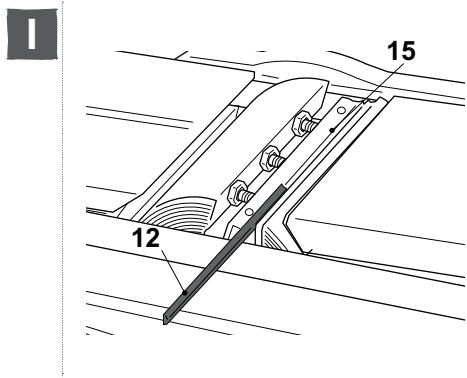




## Product description

**A****B**







## Safety instructions

### GENERAL POWER TOOL SAFETY WARNING



**WARNING** Read all safety warnings, instructions, illustrations and specifications provided with this power tool. *Failure to follow all instructions listed below may result in electric shock, fire and/or serious injury.*

**Save all warnings and instructions for future reference.**

*The term “power tool” in the warnings refers to your mains-operated (corded) power tool or battery-operated (cordless) power tool.*

#### 1) WORK AREA SAFETY

- a) **Keep work area clean and well lit.** *Cluttered or dark areas invite accidents.*
- b) **Do not operate power tools in explosive atmospheres, such as in the presence of flammable liquids, gases or dust.** *Power tools create sparks which may ignite the dust or fumes.*
- c) **Keep children and bystanders away while operating a power tool.** *Distractions can cause you to lose control.*

#### 2) ELECTRICAL SAFETY

- a) **Power tool plugs must match the outlet. Never modify the plug in any way. Do not use any adapter plugs with earthed (grounded) power tools.** *Unmodified plugs and matching outlets will reduce risk of electric shock.*
- b) **Avoid body contact with earthed or grounded surfaces, such as pipes, radiators, ranges and refrigerators.** *There is an increased risk of electric shock if your body is earthed or grounded.*
- c) **Do not expose power tools to rain or wet conditions.** *Water entering a power tool will increase the risk of electric shock.*
- d) **Do not abuse the cord. Never use the cord for carrying, pulling or unplugging the power tool. Keep cord away from heat, oil, sharp edges or moving parts.** *Damaged or entangled cords increase the risk of electric shock.*
- e) **When operating a power tool outdoors, use an extension cord suitable for outdoor use.** *Use of a cord suitable for outdoor use reduces the risk of electric shock.*
- f) **If operating a power tool in a damp location is unavoidable, use a residual current device (RCD) protected supply.** *Use of an RCD reduces the risk of electric shock.*

#### 3) PERSONAL SAFETY

- a) **Stay alert, watch what you are doing and use common sense when operating a power tool. Do not use a power tool while you are tired or under the influence of drugs, alcohol or medication.** *A moment of inattention while operating power tools may result in serious personal injury.*

- b) **Use personal protective equipment. Always wear eye protection.** *Protective equipment such as dust mask, non-skid safety shoes, hard hat, or hearing protection used for appropriate conditions will reduce personal injuries.*
- c) **Prevent unintentional starting. Ensure the switch is in the off-position before connecting to power source and/or battery pack, picking up or carrying the tool.** *Carrying power tools with your finger on the switch or energising power tools that have the switch on invites accidents.*
- d) **Remove any adjusting key or wrench before turning the power tool on.** *A wrench or a key left attached to a rotating part of the power tool may result in personal injury.*
- e) **Do not overreach. Keep proper footing and balance at all times.** *This enables better control of the power tool in unexpected situations.*
- f) **Dress properly. Do not wear loose clothing or jewellery. Keep your hair, clothing and gloves away from moving parts.** *Loose clothes, jewellery or long hair can be caught in moving parts.*
- g) **If devices are provided for the connection of dust extraction and collection facilities, ensure these are connected and properly used.** *Use of dust collection can reduce dust-related hazards.*
- h) **Do not let familiarity gained from frequent use of tools allow you to become complacent and ignore tool safety principles.** *A careless action can cause severe injury within a fraction of a second.*

#### 4) POWER TOOL USE AND CARE

- a) **Do not force the power tool. Use the correct power tool for your application.** *The correct power tool will do the job better and safer at the rate for which it was designed.*
- b) **Do not use the power tool if the switch does not turn it on and off.** *Any power tool that cannot be controlled with the switch is dangerous and must be repaired.*
- c) **Disconnect the plug from the power source and/or the battery pack from the power tool before making any adjustments, changing accessories, or storing power tools.** *Such preventive safety measures reduce the risk of starting the power tool accidentally.*
- d) **Store idle power tools out of the reach of children and do not allow persons unfamiliar with the power tool or these instructions to operate the power tool.** *Power tools are dangerous in the hands of untrained users.*
- e) **Maintain power tools. Check for misalignment or binding of moving parts, breakage of parts and any other condition that may affect the power tool's operation. If damaged, have the power tool repaired before use.** *Many accidents are caused by poorly maintained power tools.*
- f) **Keep cutting tools sharp and clean.** *Properly maintained cutting tools with sharp cutting edges are less likely to bind and are easier to control.*
- g) **Use the power tool, accessories and tool bits etc. in accordance with these instructions, taking into account the working conditions and the work to be performed.** *Use of the power tool for operations different from those intended could result in a hazardous situation.*
- h) **Keep handles and grasping surfaces dry, clean and free from oil and grease.** *Slippery handles and grasping surfaces do not allow for safe handling and control of the tool in unexpected situations.*



## 5) SERVICE

- a) **Have your power tool serviced by a qualified repair person using only identical replacement parts.** *This will ensure that the safety of the power tool is maintained.*

## SAFETY WARNINGS FOR PLANERS

- a) **Wait for the cutter to stop before setting the tool down.** *An exposed rotating cutter may engage the surface leading to possible loss of control and serious injury.*
- b) **Hold the power tool by insulated gripping surfaces, because the cutter may contact its own cord.** *Cutting a "live" wire may make exposed metal parts of the power tool "live" and could give the operator an electric shock.*
- c) **Use clamps or another practical way to secure and support the workpiece to a stable platform.** *Holding the workpiece by your hand or against the body leaves it unstable and may lead to loss of control.*
- d) *The power tool shall not be wet or applied in wet environment.*
- e) *The voltage of the power source must agree with the voltage specified on the nameplate of the machine.*
- f) *Check the product, its power cord and plug as well as accessories for damage before each use. Do not use the product if it is damaged or shows wear.*
- g) *Be aware of kickback.*
- h) *Turn the product off immediately, if the cutting blade gets jammed.*
- i) *Never touch the workpiece with your hand when you are working on it.*
- j) *Do not work overhead.*
- k) *Ensure that the workpiece is free of foreign objects such as screws or nails.*
- l) *Keep the handles dry to ensure safe control. Grip the product securely with two hands so you have full control at all times.*
- m) *Ensure that the air vents are always unobstructed and clear. Clean them if necessary with a soft brush. Blocked air vents may lead to overheating and damage the product.*
- n) *Switch the product off immediately if you are disturbed while working by other people entering the working area. Always let the product come to complete stop before putting it down.*
- o) *Do not overwork yourself. Take regular breaks to ensure you can concentrate on the work and have full control over the product.*
- p) *Always keep the power cord behind the power tool.*

The following information applies to professional users only but is good practice for all users:

### ADDITIONAL SAFETY WARNINGS FOR CONSTRUCTION DUST

The updated Control of Substances Hazardous to Health Regulations 1st October 2012 now also targets to reduce the risks associated with silica, wood and gypsum dusts.

Construction workers are one of the at-risk groups within this because of the dust that they breathe: silica dust is not just a nuisance; it is a real risk to your lungs!

Silica is a natural mineral present in large amounts in things like sand, sandstone and granite. It is also commonly found in many construction materials such as concrete and mortar. The silica is broken into very fine dust (also known as Respirable Crystalline Silica or RCS) during many common tasks such as cutting, drilling and grinding. Breathing in very fine particles of crystalline silica can lead to the development of:

- lung cancer
- Silicosis
- Chronic obstructive pulmonary disease (COPD).

And breathing in fine particles of wood dust can lead to the development of Asthma. The risk of lung disease is linked to people who regularly breathe construction dust over a period of time, not on the odd occasion.

To protect the lung, the COSHH Regulations sets a limit on the amount of these dusts that you can breathe (called a Workplace Exposure Limit or WEL) when averaged over a normal working day. These limits are not a large amount of dust: when compared to a penny it is tiny – like a small pinch of salt:

This limit is the legal maximum; the most you can breathe after the right controls have been used.

### **How to reduce the amount of dust?**

1. Reduce the amount of cutting by using the best sizes of building products.
2. Use a less powerful tool e.g. a block cutter instead of angle grinder.
3. Using a different method of work altogether – e.g. using a nail gun to direct fasten cable trays instead of drilling holes first.

Please always work with approved safety equipment, such as those dust masks that specially designed to filter out microscopic particles and use the dust extraction facility at all time.

For more information please see the HSE website:

<http://www.hse.gov.uk/construction> or <http://www.hse.gov.uk/pubns/cis69.pdf>



**WARNING!** Some dust particles created by power sanding, sawing, grinding, drill and other construction jobs contain chemicals known to cause cancer, birth defects or other reproductive harm. Some examples of these chemicals are:

- Lead from lead-based paints.
- Crystalline silica from bricks and cement and other masonry products.
- Arsenic and chromium from chemically treated timber.

Your risk from these exposures varies, depending upon how often you do this type of work. To reduce your exposure to these dusts:

- Work in a well-ventilated.
- Work with approved protective equipment, such as those dust masks that are specially designed to filter microscopic particles.

## **VIBRATION**

The European Physical Agents (Vibration) Directive has been brought in to help reduce hand arm vibration syndrome injuries to power tool users. The directive requires power tool manufacturers and suppliers to provide indicative vibration test results to enable users to make informed decisions as to the period of time a power tool can be used safely on a daily basis and the choice of tool.

**SEE TECHNICAL SPECIFICATIONS IN THE INSTRUCTION MANUAL FOR THE VIBRATION LEVELS OF YOUR TOOL.**

The declared vibration emission value should be used as a minimum level and should be used with the current guidance on vibration.

Calculating the actual period of use can be difficult and the HSE website has further information.

The declared vibration total value has been measured in accordance with EN 62841-1 and EN 62841-2-14 and may be used for compare one tool with another.

The declared vibration total value may also be used in a preliminary assessment of exposure.



**WARNING!** The vibration emission during actual use of the power tool can differ from the declared total value depending on the ways in which the tool is used:

- How the materials are grinded, cut or drilled.
- If the tool is in good condition and well maintained.
- Use correct accessory for the tool and ensure it is sharp and in good condition.
- The tightness of the gripping handles.
- The tool is being used as intended by its design and these instructions.

**While working with this power tool, hand/arm vibrations occur. Adopt the correct working practices in order to reduce the exposure to vibration. This tool may cause hand-arm vibration syndrome if its use is not adequately managed.**



**WARNING!** Identify safety measures to protect the operator that are based on an estimation of exposure in the actual conditions of use (taking account of all parts of the operating cycle such as the times when the tool is switched off and when it is running idle in addition to the trigger time).

**Note:**

- The use of other tools will reduce the users' total working period on this tool.
- Helping to minimise your vibration exposure risk. ALWAYS use sharp chisels, drills and blades.
- Maintain this tool in accordance with these instructions and keep well lubricated (where appropriate).
- Avoid using tools in temperatures of 10°C or less. Plan your work schedule to spread any high vibration tool use across a number of days.

### **Health surveillance**

All employees should be part of an employer's health surveillance scheme to help identify any vibration related diseases at an early stage, prevent disease progression and help employees stay in work.

## VIBRATION AND NOISE REDUCTION

**To reduce the impact of noise and vibration emission, limit the time of operation, use low-vibration and low-noise operating modes as well as wear personal protective equipment.**

Take the following points into account to minimise the vibration and noise exposure risks:

1. Only use the product as intended by its design and these instructions.
2. Ensure that the product is in good condition and well maintained.
3. Use correct attachments for the product and ensure they are in good condition.
4. Keep tight grip on the handles/grip surface.
5. Maintain this product in accordance with these instructions and keep it well lubricated (where appropriate).
6. Plan your work schedule to spread any high vibration tool use across a longer period of time.
7. Prolonged use of the product exposes the user to vibrations that can cause a range of conditions collectively known as hand-arm vibration syndrome (HAVS) e.g. fingers going white; as well as specific diseases such as carpal tunnel syndrome. To reduce this risk when using the product, always wear protective gloves and keep your hands warm.

## RESIDUAL RISKS

**Even if you are operating this product in accordance with all the safety requirements, potential risks of injury and damage remain. The following dangers can arise in connection with the structure and design of this product:**

1. Health defects resulting from vibration emission if the product is being used over long periods of time or not adequately managed and properly maintained.
2. Injuries and damage to property due to broken attachments or the sudden impact of hidden objects during use.
3. Danger of injury and property damage caused by flying objects or poor power tool accessories.



**WARNING!** This product produces an electromagnetic field during operation! This field may under some circumstances interfere with active or passive medical implants! To reduce the risk of serious or fatal injury, we recommend persons with medical implants to consult their doctor and the medical implant manufacturer before operating this product!



## Product description

### Part index

The index below refers to Fig. 1 on page 4.

- |                                   |                  |
|-----------------------------------|------------------|
| 1. On/Off switch                  | 12. Blade        |
| 2. Lock-off button                | 13. Rear plate   |
| 3. Main handle                    | 14. Roller       |
| 4. Belt cover                     | 15. Blade holder |
| 5. Parallel guide                 | 16. Grub screws  |
| 6. Mounting hole (parallel guide) | 17. V-groove     |
| 7. Wing nut                       | 18. Front plate  |
| 8. Cutting depth Scale            | 19. Dust bag     |
| 9. Cutting depth adjustment knob  | 20. Wrench       |
| 10. Dust extraction outlet        | 21. Hex key      |
| 11. Hex bolts                     |                  |

### Symbols

On the product, the rating label and within these instructions you will find among others the following symbols and abbreviations. Familiarize yourself with them to reduce hazards like personal injuries and damage to property.



Always wear eye protection.



Always wear ear protection.



Wear a dust mask.



Wear protective gloves.



Lock / to tighten or secure.



Unlock / to loosen.



Note / Remark.



Caution / Warning.

dB(A)

Decibel (A-rated)

$\eta_0$

No-load speed



To reduce the risk of injury, user must read instruction manual.



Switch the product off and disconnect it from the power supply before assembly, cleaning, adjustments, maintenance, storage and transportation.



This product is of protection class II. That means it is equipped with enhanced or double insulation.



The product complies with the applicable European directives and an evaluation method of conformity for these directives was done.



WEEE symbol. Waste electrical products should not be disposed of with household waste. Please recycle where facilities exist. Check with your Local Authority or local store for recycling advice.

yyWxx

Manufacturing date code; year of manufacturing (20yy) and week of manufacturing (Wxx)

## Technical data

Rated voltage, frequency	: 220 – 240 V~, 50 Hz
Rated power input	: 650 W
Rated no load speed $n_0$	: 16000 min <sup>-1</sup>
Planing width	: 82 mm
Cutting depth	: 0-2 mm
Protection class	: II □
Weight	: approx. 2.58 kg
Sound pressure level $L_{pA}$	: 89.0 dB(A)
Sound power level $L_{WA}$	: 100.0 dB(A)
Uncertainty $K_{pA}$ , $K_{WA}$	: 3 dB(A)
Vibration total value: $a_h$	: 3.4 m/s <sup>2</sup>
Uncertainty K	: 1.5 m/s <sup>2</sup>

The sound emission values have been obtained according to the noise test code given in EN 62841-1 and EN 62841-2-14. The noise for the operator may exceed 80 dB(A) and ear protection measures are necessary.



**WARNING!** The vibration and noise emissions during actual use of the power tool can differ from the declared values depending on the ways in which the tool is used especially what kind of workpiece is processed; and need to identify safety measures to protect the operator that are based on an estimation of exposure in the actual conditions of use (taking account of all parts of the operating cycle such as the times when the tool is switched off and when it is running idle in addition to the trigger time).

## Rating label explanation

TTB930PLN = Model number  
 TITAN = Brand name  
 930 = Version Number  
 PLN = Planer



## Assembly

### 01

## Unpacking

1. Unpack all parts and lay them on a flat, stable surface.
2. Remove all packing materials and shipping devices, if applicable.
3. Make sure the delivery contents are complete and free of any damage. If you find that parts are missing or show damage do not use the product but contact your dealer. Using an incomplete or damaged product represents a hazard to people and property.
4. Ensure that you have all the accessories and tools needed for assembly and operation. This also includes suitable personal protective equipment.



**WARNING!** The product must be fully assembled before operation!

Do not use a product that is only partly assembled or assembled with damaged parts!



Wear protective gloves for this assembly work and always lay the product on a flat and stable surface while assembling.

Follow the assembly instructions step-by-step and use the pictures provided as a visual guide to easily assemble the product!



Do not connect the product to power supply before it is completely assembled!



**WARNING!** The product and the packaging are not children's toys!

Children must not play with plastic bags, sheets and small parts! There is a danger of choking and suffocation!



## 02

**Dust extraction (Fig. A and B)**

**WARNING!** Always attach a dust extraction device or the dust bag when using this product to keep the working area clean! Wear a dust mask when operating this product! Dust can be harmful to health! Especially dust and chips of wood that has been treated, e.g. with wood preservative or a stain!

**Dust bag**

1. Align the connector of the dust bag (19) to the dust extraction outlet (10) and insert it completely (Fig. A).
2. Pull the connector out in a twisting motion to remove the dust bag (19).

**Emptying**

1. Remove the dust bag (19) from the product as described above.
2. Open the zip and empty chippings into a suitable rubbish bag.
3. Close the zip and re-attach the dust bag (19) to the product.



**NOTE:** Empty the dust bag when it is half full. An overfilled dust bag lowers the performance of the product.

**Dust extraction**

Attach a proper dust extraction device, e.g. a suitable vacuum cleaner attachment (Ø35mm) to the dust extraction outlet (10) (Fig. B).

## 03

**Parallel guide (Fig. C)**

Attach the parallel guide to perform straight cuts along a workpiece edge.

1. Loosen the wing nut (7) and insert the parallel guide (5) into the mounting hole (6).
2. Adjust the parallel guide (5) to the desired width.
3. Tighten the wing nut (7).



**NOTE:** The parallel guide can only be applied for planing a thickness less than 2mm. Otherwise the housing will touch the workpiece surface.



Use

## Intended use

This product is intended for planing of firmly supported wooden materials, such as beams and boards. It is also suitable for bevelling edges.

The product must be used in an upright position only with the front plate lying flat on the workpiece. It may not be used upside down or as stationary product on a work bench.

## Before you start

### 01 Protection



## Controls

### 01 Planing depth adjustment (Fig. D)



**WARNING!** Always switch the product off and disconnect it from power supply before making any adjustments!

Adjust the desired planing depth by turning the cutting depth adjustment knob (9). The depth can be adjusted from 0 to 2 mm. The number on the scale (8) next to the pointer indicates the depth of cut in millimetres.

### 02 Switching on/off (Fig. E)

1. Press the lock-off button (2) and hold it in position.
2. Press the on/off switch (1) to switch on the product.
3. Release the on/off switch (1) to switch the product off.

## Operation

### 01 General planing (Fig. F)



**WARNING!** During operation fine dust will be generated!

These dusts are highly inflammable and explosive! Do not smoke during operation, keep heat sources and open flames out of the working area!



Always wear a dust mask to protect yourself against hazards resulting from fine dust!

1. Adjust the desired planing depth.
2. Hold the product with one hand on the main handle (3), and with the other hand on the cutting depth adjustment knob (9).
3. Switch the product on and wait until it runs at full speed before placing it on the workpiece.



**WARNING!** Danger of kickback! Apply the product to the workpiece only when switched on!

4. Place the front plate (18) flat on the workpiece and push the product forward at an even speed. Apply light consistent pressure against the workpiece to achieve an even result.
5. Turn the cutting depth adjustment knob (9) anticlockwise to retract the blades after finishing your work.



- Always make a trial cut before working on the actual workpiece, especially after replacing or adjusting the planing depth.
- To achieve high-grade surfaces: work only with low feed with slight consistent pressure on the centre of the planer base plate. Use small depths of cut and repeat the planing process.
- When machining hard materials (e.g. hardwood) as well as when utilising the maximum planer width, set only low planing depths and reduce planer feed, as required.
- Excessive feed reduces the surface quality and can lead to rapid clogging of the chip ejector.
- Only sharp blades achieve good cutting capacity and give the machine longer life.

## **02** Bevel planing (Fig. G)

With the V-groove (17) bevel angles of  $45^\circ$  can be cut on the edge of a workpiece.

1. Place the V-groove (17) onto the edge of the workpiece. Apply slight consistent pressure against the workpiece to achieve an even result.
2. Guide the product along the edge.

### **After use**

1. Switch the product off, wait for complete stop, disconnect it from the power supply and let it cool down.
2. Check, clean and store the product as described below.



## Care & maintenance



**WARNING!** Always switch the product off, disconnect the product from the power supply and let the product cool down before performing inspection, maintenance and cleaning work!



Only perform care and maintenance work according to these instructions! All further works must be performed by a qualified specialist!

## Clean

1. Clean the product with a dry cloth. Use a brush for areas that are hard to reach.
2. In particular clean the roller, blade, switches and air vents after every use with a cloth and brush.
3. Remove stubborn dirt with high pressure air (max. 3 bar).
4. Check for worn or damaged parts. Replace worn parts as necessary or contact an authorised service centre for repair before using the product again.



Do not use chemical, alkaline, abrasive or other aggressive detergents or disinfectants to clean this product as they might be harmful to its surfaces.

## Dust extraction outlet

Free the dust extraction outlet (10) from blockages and dust by using a suitable tool such as a piece of wood or high pressure air.



**WARNING!** Never insert your bare fingers into the outlet! Never hold a finger or any other part of your body in the dust extraction outlet. Always clean a blocked dust extraction outlet with a suitable tool such as a wooden stick!

## Maintenance

Before and after each use, check the product and accessories (or attachments) for wear and damage. If required, exchange them for new ones as described in this instruction manual.

### 01 Blade changing (Fig. H and I)

1. Lay the product on a flat surface so that you have free access to the bottom side.
2. Turn the roller (14) until the blade shaft is positioned between the front and rear plates (18 and 13).
3. Turn the hex bolts (11) clockwise using the wrench (20), so that the blade holder (15) can be taken out of the roller (14). (Fig. H).
4. Push the blade (12) sideways by tapping with a piece of wood or a suitable tool and then pull it out using a proper tool, e.g. pliers (Fig. I).
5. Turn the roller (14) 180° and then repeat above operations to remove other blade (12).
6. Clean all parts carefully to remove dust.



Usually planing blades can be used on both sides. For the first replacement turn the blade vertically 180° and re-fit it. If both sides of a blade are worn out, replace with a new pair of blades.

7. Slide the new blade sideways into the slot of the blade holder (15) while the ground side of the cutting edge faces the rear plate (13). Be sure that the orientation of the blade is correct and it is positioned centrally.
8. Insert the blade holder (15) into roller (14) and ensure the blade is aligned flush at the side edge of the rear plate (13). Turn the hex bolts (11) anticlockwise until the blade holder (15) and blade (12) is fixed tightly in the roller (14).
9. Repeat above operations to reassemble another blade (12).
10. Turn the roller with a piece of wood to ensure that the planer blade does not contact front or rear plate. Adjust the blades according to the steps above if necessary.

### 02 Blade holder (Fig. J)

The blade holder is pre-set in the factory to ensure even planing with original blades and normally not necessary to re-adjust. Nevertheless occasionally check whether the cutting edges of the blades are parallel and level to the rear plate (13). If necessary, adjust the blade holder height with the hex key (21).

1. Loosen the hex bolts (11).
2. Turn the grub screws (16) clockwise to increase the height.
3. Turn the grub screws (16) anticlockwise to decrease the height.
4. Tighten the hex bolts (11).

### 03 Power cord

If the replacement of the supply cord is necessary, this has to be done by the manufacturer or his agent in order to avoid a safety hazard.

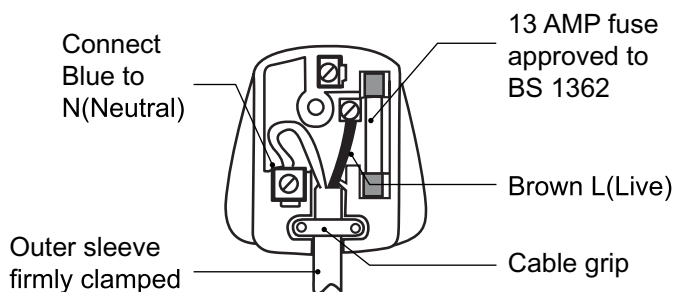
### 04 UK plug (only for UK market)

Replacement of the plug shall always be carried out by the manufacturer of the tool or his service organization and follow the instructions below.

**IMPORTANT:** The wires in the mains lead are coloured in accordance with the following code:

Blue – Neutral Brown – Live

As the colours of the wire in the mains lead of this product may not correspond with the coloured marking identifying the terminals in your plug, proceed as follows. The wire, which is coloured blue, must be connected to the terminal, which is marked with N or coloured black. The wire, which is coloured brown, must be connected to the terminal, which is marked L or coloured red.



**WARNING!** Never connect live or neutral wires to the earth terminal of the plug, which is marked with E.

Only fit an approved 13 Amp BS 1363 or BS 1363/A plug and the correctly rated fuse. If in doubt, consult a qualified electrician.

If a moulded plug is fitted and has to be removed take great care in disposing of the plug and severed cable, it must be destroyed to prevent engaging into a socket.

## Transportation



**WARNING!** Always carry the product by its main handle.  
Never use the cord for carrying the product.

1. Switch the product off and disconnect it from the power supply.
2. Protect the product from any heavy impact or strong vibrations which may occur during transportation in vehicles.
3. Secure the product to prevent it from slipping or falling over.

## Storage

1. Switch the product off and disconnect it from the power supply.
2. Clean the product as described above.
3. Store the product and its accessories in a dark, dry, frost-free, well-ventilated place.
4. Always store the product in a place that is inaccessible to children. The ideal storage temperature is between 10°C and 30°C.
5. We recommend using the original package for storage or covering the product with a suitable cloth or enclosure to protect it against dust.



## Troubleshooting

Suspected malfunctions are often due to causes that the users can fix themselves. Therefore check the product using this section. In most cases the problem can be solved quickly.



**WARNING!** Only perform the steps described within these instructions! All further inspection, maintenance and repair work must be performed by an authorised service centre or a similarly qualified specialist if you cannot solve the problem yourself!

Problem	Possible cause	Solution
Product does not start	Not connected to power supply	Connect to power supply
	Power cord or plug is defective	Check by a specialist electrician
Product does not reach full power	Extension cord not suitable for operation with this product	Use a proper extension cord
	Power source (e.g. generator) has too low voltage	Connect to another power source
	Air vents are blocked	Clean the air vents
Unsatisfactory result	Blade is dull/damaged	Replace with new one
	Excessive feed reduces the poor surface quality	Reduce the feed
	Working pressure is not on the centre of the planer base plate	Adjust the position to apply working pressure
Excessive vibration or noise	Blade is dull/damaged	Replace with a new one
	Bolts/nuts are loose	Tighten bolts/nuts
	Blade not mounted parallel	Mount the blade parallel
Motor runs, but roller doesn't work or stops	Drive belt worn or broken	Replace with a new one by a qualified person

## Recycling and disposal



Waste electrical products should not be disposed of with household waste. Please recycle where facilities exist. Check with your local authority or local store for recycling advice.



## Guarantee

We take special care to select high quality materials and use manufacturing techniques that allow us to create products incorporating design and durability. This product (P 650W Planer) has a manufacturer's guarantee of 2 year against manufacturing defects, from the date of purchase (if bought in store) or date of delivery (if bought online), at no additional cost for normal (non-professional or commercial) household use.

To make a claim under this guarantee, you must present your proof of purchase (such as a sales receipt, purchase invoice or other evidence admissible under applicable law), please keep your proof of purchase in a safe place. For this guarantee to apply, the product you purchased must be new, it will not apply to second hand or display products. Unless stated otherwise by applicable law, any replacement product issued under this guarantee will only be guaranteed until expiry of the original guarantee period.

This guarantee covers product failures and malfunctions provided the product was used for the purpose for which it is intended and subject to installation, cleaning, care and maintenance in accordance with the information contained in these terms and conditions, in the user manual and standard practice, provided that standard practice does not conflict with the user manual.

This guarantee does not cover defects and damage caused by normal wear and tear or damage that could be the result of improper use, faulty installation or assembly, neglect, accident, misuse, or modification of the product. Unless stated otherwise by applicable law, this guarantee will not cover, in any case, ancillary costs (shipping, movement, costs of uninstalling and reinstalling, labour etc), or direct and indirect damage.

This guarantee does not cover defects and damage caused by or resulting from:

Normal wear and tear

Overload, misuse or neglect

Repairs attempted by anyone other than an authorised agent

Cosmetic damage

Damage caused by foreign objects, substances or accidents

Accidental damage or modification

Failure to follow manufacturer's guidelines

Loss of use of the goods

If the product is defective, we will, within a reasonable time, repair or replace it.

Rights under this guarantee are enforceable in the country in which you purchased this product. Guarantee related queries should be addressed to the store you purchased this product from.

The guarantee is in addition to and does not affect your statutory rights.



## (UK) DECLARATION OF CONFORMITY

### Product

- 650W Planer
- TTB930PLN
- Serial number: 000001 - 999999

### Name and address of the manufacturer or his authorised representative:

Kingfisher International Products Limited  
3 Sheldon Square  
London W2 6PX  
United Kingdom

This declaration of conformity is issued under the sole responsibility of the manufacturer.

### Object of the declaration

Product	Model	EAN
650W Planer	TTB930PLN	5059340451923

The object of the declaration described above is in conformity with the relevant legislation:

Supply of Machinery (Safety) Regulations 2008 as amended  
Electromagnetic Compatibility Regulations 2016 as amended  
The Restriction of the use of Certain Hazardous Substances in Electrical and Electronic Equipment Regulations 2012 as amended

References to the relevant designated standards used or references to the other technical specifications in relation to which conformity is declared:

BS EN 62841-1:2015  
BS EN 62841-2-14:2015  
EN 55014-1:2017+A11:2020  
EN 55014-2:2015  
EN IEC 61000-3-2:2019  
EN 61000-3-3:2013+A1:2019  
BS EN 55014-1:2017+A11:2020  
BS EN 55014-2:2015  
BS EN IEC 61000-3-2:2019  
BS EN 61000-3-3:2013+A1:2019

Signed for and on behalf of:  
Kingfisher International Products Limited  
3 Sheldon Square  
London W2 6PX  
United Kingdom

David Awe  
Group Quality Director

On 20/05/2022



**(EN) EU DECLARATION OF CONFORMITY**  
**(FR) DÉCLARATION UE DE CONFORMITÉ**  
**(PL) DEKLARACJA ZGODNOŚCI UE**  
**(RO) DECLARAȚIA DE CONFORMITATE UE**  
**(ES) DECLARACIÓN UE DE CONFORMIDAD**  
**(PT) DECLARAÇÃO DE CONFORMIDADE UE**

Product/ Produit/ Produkt/Produsul/Producto/Produto

- Planer / Rabot / Strug elektryczny / Rindea Electrică / Cepillo eléctrico / Plaina elétrica
- TTB930PLN
- SN: 000001 - 999999

Name and address of the manufacturer or his authorised representative:

Nom et adresse du fabricant ou de son mandataire:

Nazwa i adres producenta lub jego upoważnionego przedstawiciela:

Denumirea și adresa producătorului sau a reprezentantului său autorizat:

Nombre y dirección del fabricante o de su representante autorizado:

Nome e endereço do fabricante ou do respetivo mandatário:

Kingfisher International Products B.V.,  
 Rapenburgerstraat 175E,  
 1011 VM Amsterdam,  
 The Netherlands

This declaration of conformity is issued under the sole responsibility of the manufacturer.

La présente déclaration de conformité est établie sous la seule responsabilité du fabricant.

Niniejsza deklaracja zgodności wydana zostaje na wyłączną odpowiedzialność producenta.

Prezenta declarație de conformitate este emisă pe răspunderea exclusivă a producătorului.

La presente declaración de conformidad se expide bajo la exclusiva responsabilidad del fabricante.

A presente declaração de conformidade é emitida sob a exclusiva responsabilidade do fabricante.

Object of the declaration/Objet de la declaration/Przedmiot deklaracji/Obiectul declarației/Objeto de la declaración/Objeto da declaração

Product/Produit/Produkt/Produsul/Producto/Produto	Model/Modèle/Model/Modelul/Modelo/Modelo	EAN
Planer / Rabot / Strug elektryczny / Rindea Electrică / Cepillo eléctrico / Plaina elétrica	TTB930PLN	5059340451923

The object of the declaration described above is in conformity with the relevant Union harmonisation legislation:

L'objet de la déclaration décrit ci-dessus est conforme à la législation d'harmonisation de l'Union applicable:

Wymieniony powyżej przedmiot niniejszej deklaracji jest zgodny z odnośnymi wymaganiami unijnego prawodawstwa harmonizacyjnego:

Obiectul declarației descris mai sus este în conformitate cu legislația relevantă de armonizare a Uniunii:

El objeto de la declaración descrita anteriormente es conforme con la legislación de armoni-

zación pertinente de la Unión:

O objeto da declaración acima descrito está em conformidade com a legislação de harmonização da União aplicável:

2006/42/EC as amended Machinery Directive  
 2014/30/EU as amended Directive Electromagnetic compatibility  
 2011/65/EU as amended Directive Restriction of the use of certain hazardous substances in electrical and electronic equipment

2006/42/CE en tant que directive modifiée sur les machines  
 2014/30 / UE telle que modifiée Directive Compatibilité électromagnétique  
 Directive 2011/65 / UE telle que modifiée Limitation de l'utilisation de certaines substances dangereuses dans les équipements électriques et électroniques

2006/42/WE w zmienionej dyrektywie maszynowej  
 2014/30 / UE ze zmianami Dyrektywa Kompatybilność elektromagnetyczna  
 2011/65 / UE ze zmianami Dyrektywa Ograniczenie stosowania niektórych niebezpiecznych substancji w sprzęcie elektrycznym i elektronicznym

2006/42/CE, astfel a fost modificată Directiva privind echipamentele  
 2014/30/UE, astfel a fost modificată Directiva privind compatibilitatea electromagnetică  
 2011/65/UE, astfel a fost modificată Directiva privind limitarea utilizării anumitor substanțe periculoase în echipamentele electrice și electronice

Directiva sobre maquinaria modificada 2006/42/CE  
 2014/30/UE modificada Directiva Compatibilidad electromagnética  
 2011/65/UE modificada Directiva Restricción del uso de determinadas sustancias peligrosas en equipos eléctricos y electrónicos

2006/42/CE como diretiva de máquinas alteradas  
 2014/30/UE como alteração da compatibilidade eletromagnética  
 2011/65/UE como restrição diretiva alterada da utilização de certas substâncias perigosas em equipamentos elétricos e eletrônicos

References to the relevant harmonised standards used or references to the other technical specifications in relation to which conformity is declared:

Références des normes harmonisées pertinentes appliquées, y compris la date de celles-ci, ou des autres spécifications techniques, y compris la date de celles-ci, par rapport auxquelles la conformité est déclarée:

Odwołania do odnośnych norm zharmonizowanych, które zastosowano, wraz z datą normy, lub do innych specyfikacji technicznych, wraz z datą specyfikacji, w odniesieniu do których deklarowana jest zgodność:

Trimiteri la standardele armonizate relevante folosite, inclusiv data standardului, sau trimiteri la celelalte specificații tehnice, inclusiv data specificațiilor, în legătură cu care se declară conformitatea:

Referencias a las normas armonizadas pertinentes utilizadas, incluidas las fechas de las normas, o referencias a las otras especificaciones técnicas, incluidas las fechas de las especificaciones, respecto a las cuales se declara la conformidad:

Referências às normas harmonizadas aplicáveis utilizadas, incluindo a data da norma, ou às outras especificações técnicas, incluindo a data da especificação, em relação às quais é declarada a conformidade:

EN 62841-1:2015  
EN 62841-2-14:2015  
EN 55014-1:2017+A11:2020  
EN 55014-2:2015  
EN IEC 61000-3-2:2019  
EN 61000-3-3:2013+A1:2019

Authorized Signatory and technical file holder/ Signataire et responsable de la documentation technique autorisé/ Podmiot uprawniony do wystawienia i adres przechowywania dokumentacji technicznej/ Semnatar autorizat și deținătorul dosarului ethnic/ Firmante autorizado y titular del expediente técnico/Signatário autorizado e detentor da ficha técnica:

Kingfisher International Products B.V.,  
Rapenburgerstraat 175E,  
1011 VM Amsterdam,  
The Netherlands



David Awe  
Group Quality Director

20/05/2022

**Manufacturer • Fabricant • Producent • Producator • Fabricante:**

Kingfisher International Products Limited,

3 Sheldon Square, London, W2 6PX,

United Kingdom

[www.kingfisher.com/products](http://www.kingfisher.com/products)

Kingfisher International Products B.V.

Rapenburgerstraat 175E 1011 VM Amsterdam

The Netherlands

EN

[www.diy.com](http://www.diy.com)

[www.screwfix.com](http://www.screwfix.com)

[www.screwfix.ie](http://www.screwfix.ie)

To view instruction manuals online,  
visit [www.kingfisher.com/products](http://www.kingfisher.com/products)