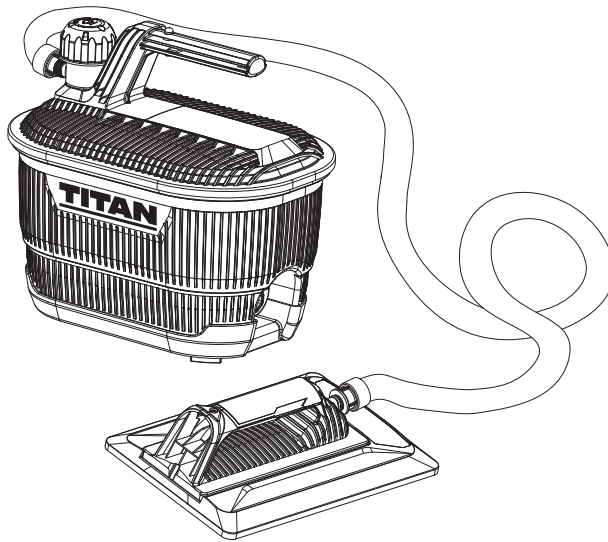




EN

TITAN

2200W Wallpaper Stripper



Original Instructions_MNL_TTB926STM_GB_V8_220623

TTB926STM

EAN: 5059340400082



WARNING! Read the instructions before using the product!

V80623 / BX220IM

Let's get started...

These instructions are for your safety. Please read through them thoroughly before use and retain them for future reference.



Getting **started**... 02

Technical and legal information	03
Your product	08
Technical specifications	08
Before you start	10



In more **detail**... 15

Product functions	16
Operation	17
Care and maintenance	19
Troubleshooting	22
Recycling and disposal	24
Guarantee	25
Declaration of conformity	26



Safety warnings

1. This appliance can be used by persons with reduced physical, sensory or mental capabilities or lack of experience and knowledge if they have been given supervision or instruction concerning use of the appliance in a safe way and understand the hazards involved.
2. Children shall not play with the appliance.

General safety warnings



WARNING! When using electric products basic safety precautions should always be followed to reduce the risk of fire, electric shock and personal injury including the following.

Read all these instructions before attempting to operate this product and save all warnings and instructions for future reference.

Getting started....

Safe operation

1. Consider work area environment
 - Do not expose the product to rain.
 - Do not use the product in damp or wet locations. There is a risk of electric shock!
 - Keep work area well lit.
 - Do not use the product in the presence of flammable liquids or gases. There is a risk of explosion!
2. Store idle product
 - When not in use, the product should be stored in a dry locked-up place, out of reach of children.
3. Do not overload the product
 - It will do the job better and safer at the rate for which it was intended.

Safety warnings

4. Do not abuse the cord
 - Never yank the cord to disconnect it from the socket. Keep the cord away from heat, oil and sharp edges.
5. Disconnect the product
 - When not in use, before servicing and when changing accessories for the attachment tool, disconnect the product from the power supply.
6. Stay alert
 - Watch what you are doing, use common sense and do not operate the product when you are tired.
7. Check damaged parts
 - Before further use of the product, it should be carefully checked to determine that it will operate properly and perform its intended function.
8. Don't use unauthorized parts
 - The use of any accessory or attachment other than one recommended in this instruction manual may present a risk of personal injury.
9. Have your product repaired by a qualified person
 - This electric product complies with the relevant safety rules. Repairs should only be carried out by qualified persons using original spare parts; otherwise this may result in considerable danger to the user.

Wallpaper stripper safety warnings

1. Do not leave the product switched on and unattended whilst children and pets are around.
2. Do not stand directly underneath the steam plate when in use.
3. Do not switch the product on before filling with water.
4. Do not overfill the water above the maximum level.
5. Do not tilt the water tank when in use.



6. Do not refill immediately after use. Please wait at least 15 minutes before refilling with water.
7. Never direct steam towards people, pets, yourself or equipment with electrical components, such as the interior of ovens.
8. Never leave the product unattended when it is connected to the power supply. Keep the product out of reach of children while it is connected to power supply or cooling down.
9. Do not use the product if it has been dropped, if there are visible signs of damage or leakage.
10. Do not remove the safety cap during use. Always allow the water tank to cool down for at least 15 minutes after use before attempting to remove the safety cap.
11. Keep the product out of reach of children.
12. The surfaces of product will get hot during use. Handle carefully.
13. Do not use outside in adverse weather conditions or allow the water tank to be exposed to rain or moisture. The use of a 30mA high sensitivity residual circuit breaker (RCD) is recommended for outdoor use or around the home.
14. Do not cover the safety cap during use. Openings in the safety cap allow release of excess steam and pressure.
15. Disconnect the product from the power supply after use and before cleaning, maintenance, storage and transportation. Allow the product to cool down before handling.
16. Protect the electrical parts against moisture. Do not immerse such parts in water or other liquids to avoid electrical shock. Never hold the product under running water. Read the instructions provided in the chapter "Care and Maintenance".

Safety warnings

17. Fill the product with water before each use so that the water level reaches between the **MIN** and **MAX** markings. Do not overfill. Drain the water tank if the water level exceeds **MAX** level. Never connect the product to power supply while empty.
18. Place the product on a flat, stable, heat-resistant surface. Operating the product in any other position could cause a hazard. Do not tilt and / or overturn the product during its operation. If the product is tipped on its side, return it back onto its feet immediately.
19. Never touch the plug and / or socket with wet hands.
20. Do not step on or place items on the water tank or hose.
21. Never use the steam plate directly above your head as boiling water may drip from the plate. Empty the steam plate regularly as hot water may drip.
22. If working on a ladder, do not overreach and secure the product properly to avoid any safety hazard.
23. Keep tight grip on the handles / grip surface.
24. Always carry the product by its handle. Never pull the product by the power cord or hose.
25. Cover sockets, switches and wood surfaces before operation to avoid damage by steam.
26. Do not use on glass surfaces as steam may cause glass to shatter.
27. Do not immerse the water tank in water or any other liquid.
28. Even though the hose has a double wall to reduce the risk of burning if touched or grabbed, water tank, steam plate and hose will get hot during use. Allow attachments to cool down before removing or changing them.



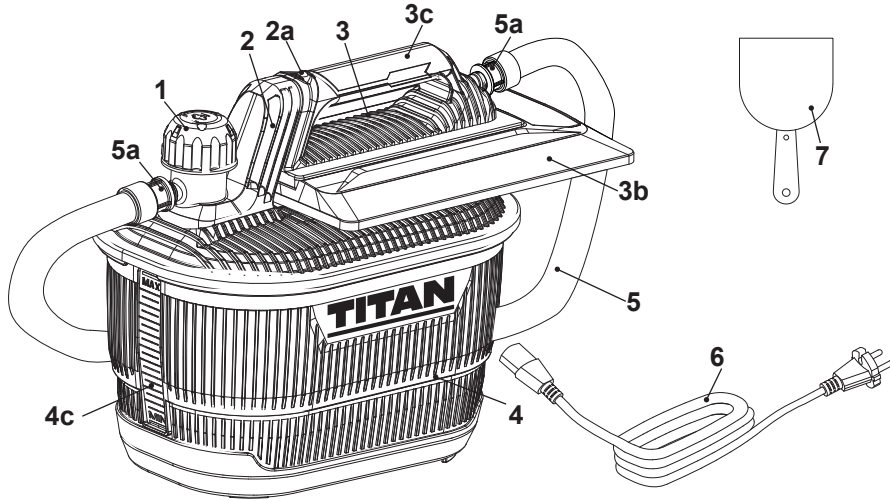
29. If using an extension lead, ensure you do not exceed the maximum rated running wattage / load of the extension lead.
30. Before connecting the product, ensure the mains voltage available matches that specified on the rating plate.
31. As this is a high power product, the plug could get warm during use. This is normal and should not reach excessive levels.
32. Only use the product as intended by its design and these instructions.
33. Ensure that the product is in good condition and well maintained.
34. Use correct attachments for the product and ensure they are in good condition.
35. Never put descaling, aromatic, alcoholic or detergent products into the water tank, as this can damage the product or make it unsafe for use.

Getting started...



WARNING! This product produces an electromagnetic field during operation! This field may under some circumstances interfere with active or passive medical implants! To reduce the risk of serious or fatal injury, we recommend persons with medical implants to consult their doctor and the medical implant manufacturer before operating this product!

Product description



- | | | |
|--------------------|--------------------------------------|----------------------|
| 1. Safety cap | c) Handle | d) Hose connector* |
| 2. Carry handle | 4. Water tank | 5. Hose |
| a) Lock button | a) Heating element* | a) Hose adaptor (x2) |
| 3. Steam plate | b) Socket* | 6. Power cord |
| a) Hose connector* | c) Water level | 7. Scraper |
| b) Apron | c) Water level indicator (MIN / MAX) | |



NOTE: Parts marked with * are not shown in this overview. Please refer to the respective section in the instruction manual.

Technical specifications

General

- | | |
|----------------------------|---------------------|
| > Rated voltage, frequency | : 220-240 V~, 50 Hz |
| > Rated power input | : 2200 W |
| > Degree of protection | : IPX4 |
| > Protection class | : I |
| > Tank capacity | : 6.5 L |
| > Hose length | : 4 m |
| > Dimensions | : 388x224x302 mm |
| > Weight | : Approx. 2.5 kg |



Rating label explanation

Wallpaper Stripper: TTB926STM

TT = TITAN

B = Voltage (220-240 V~)

926 = Series number

STM = Steam wallpaper stripper

Symbol explanation

On the product, the rating label and within these instructions you will find among others the following symbols and abbreviations. Familiarise yourself with them to reduce hazards like personal injuries and damage to property.

V~	Volt, (alternating voltage)	W	Watt
Hz	Hertz	m	Metre
mm	Millimetre	kg	Kilogram
L	Litre	°C	Degree Celsius



Protective earth



Lock / to tighten or secure.



Unlock / to loosen.



Note / Remark.



Caution / Warning.

yyWxx Manufacturing date code; year of manufacturing (20yy) and week of manufacturing (Wxx).

IPX4 Protection against splashing water from all directions.
Read the instruction manual.



WARNING! Beware of electric shocks.



Wear eye protection.



Wear protective gloves.



Switch the product off and disconnect it from the power supply before assembly, cleaning, adjustments, maintenance, storage and transportation.



WARNING! Danger of scalding. Steam may escape from the pressure release valve during and after use.



Do not expose the product to rain or wet conditions.



The product complies with the applicable European directives and an evaluation method of conformity for these directives was done.



UK Conformity Assessed.



WEEE symbol. Waste electrical products should not be disposed of with household waste. Please recycle where facilities exist. Check with your Local Authority or local store for recycling advice.

Unpacking

1. Unpack all parts and lay them on a flat, stable surface.
2. Remove all packing materials and shipping devices, if applicable.
3. Make sure the delivery contents are complete and free of any damage. If you find that parts are missing or show damage do not use the product but contact your dealer. Using an incomplete or damaged product represents a hazard to people and property.
4. Ensure that you have all the accessories and tools needed for assembly and operation. This also includes suitable personal protective equipment.



WARNING! The product and the packaging are not children's toys! Children must not play with plastic bags, sheets and small parts! There is a danger of choking and suffocation!

You will need

(Items not supplied)

Suitable personal protective equipment

(Items supplied)

Steam plate (3)

Water tank (4)

Hose (5)

Scraper (7)



NOTE: The accessories required depend on the intended application. Ask your dealer for advice.

Assembly



WARNING! The product must be fully assembled before operation! Do not use a product that is only partly assembled or assembled with damaged parts!



Follow the assembly instructions step-by-step and use the pictures provided as a visual guide to easily assemble the product!



NOTE: Always lay the product with its feet on a flat, stable surface.

Attaching the hose

1. Screw one hose adaptor (5a) clockwise onto the thread of the hose connector (4d) of the water tank (4). Ensure the connection is properly secured (Fig. 1).
2. Press down the lock button (2a) and remove the steam plate (3) from the carry handle (2) (Fig. 2).

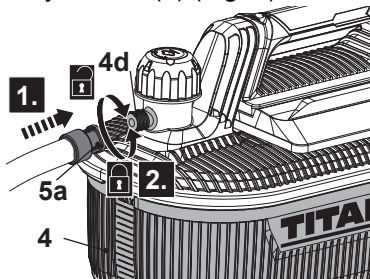


Fig. 1

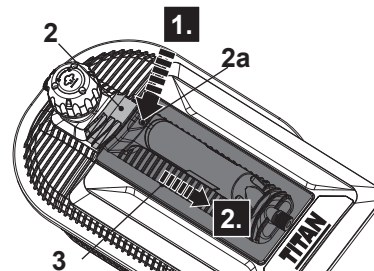


Fig. 2

3. Grasp the steam plate handle (3c) and slide the steam plate (3) out of the track of steam plate apron (3b) (Fig. 3).
4. Screw the other hose adaptor (5a) clockwise onto the thread of the hose connector (3a) of the steam plate (3). Ensure the connection is properly secured (Fig. 4).

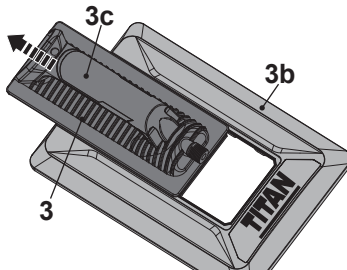


Fig. 3

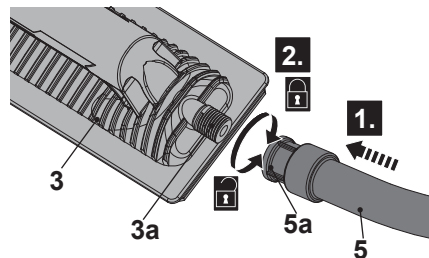


Fig. 4

Assembly



WARNING! Do not use this product with a damaged hose (5) or steam plate (3)! Check that both hose connectors (3a, 4d) on the steam plate (3) and water tank (4) are free of damage before assembly.

- Slide the steam plate (3) back into the track of steam plate apron (3b). Ensure the hose (5) is not squeezed by the steam plate apron (3b) (Fig. 5).
- The hose (5) is now assembled (Fig. 6).

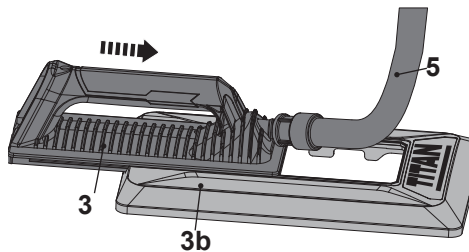


Fig. 5

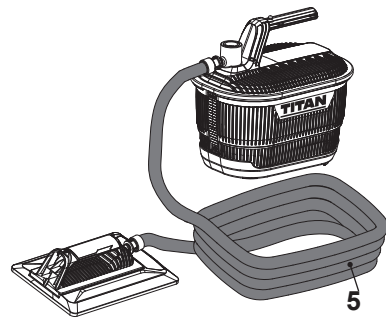


Fig. 6

Detaching the hose



WARNING! Disconnect the product from the power supply and wait for it to cool down before removing any part. There is a risk of scalding with hot water / steam.

- After use, once the product has cooled down, unscrew the two hose adaptors (5a) anti-clockwise from the threads of the hose connectors (3a, 4d) on the steam plate (3) and water tank (4).



NOTE: Slightly unscrew the safety cap (1), once the product has cooled down. If it triggers a jet of steam, the water tank (4) is still under pressure. Wait 15 minutes before checking again and attempting to disassemble the product.

Filling with water



WARNING! When refilling with water during use, disconnect from the power supply and wait for 15 minutes before adding water into the water tank (4). There is a risk of scalding with steam and / or hot water.

The water tank (4) has a capacity of 6.5 litres. Fill the water tank (4) as follows:

1. Ensure the product is disconnected from the power supply and placed on a flat, stable and heat-resistant surface.
2. Unscrew the safety cap (1) anti-clockwise and remove it from the water tank (4) (Fig. 7).
3. Pour water into the water tank (4) until the water level reaches between the **MIN** and **MAX** markings on the water level indicator (4c) (Fig. 8). Use a funnel if necessary. Do not overfill. Drain the water tank (4) if the water level exceeds **MAX** level.

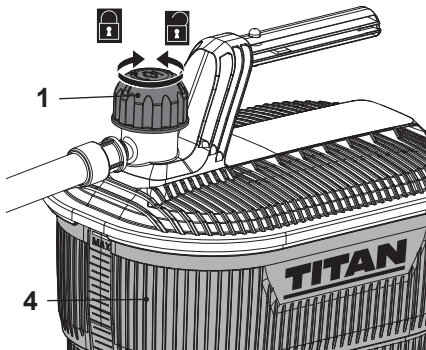


Fig. 7

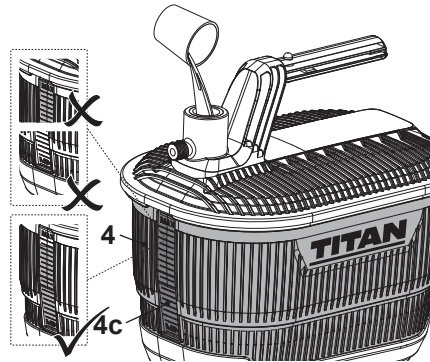


Fig. 8

4. Screw the safety cap (1) back onto the water tank (4). Do not overtighten.



NOTE: Before refilling, rinse the water tank (4) with 1 litre of water first to reduce lime scale deposits.

It is not necessary to use distilled water.

It is possible to shorten the preheat time by adding hot water, but never pour boiling water into the water tank (4).

Connection to power supply

1. Ensure the water level in the water tank (4) is located between the MIN and MAX markings.
2. Insert the power adaptor of the power cord (6) into the water tank socket (4b) (Fig. 9). Ensure they are properly engaged.
3. Connect the plug of power cord (6) to a suitable mains socket.

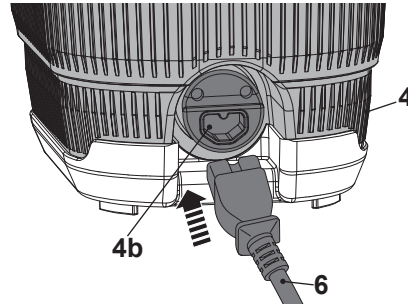


Fig. 9



WARNING! Check the voltage! The voltage must comply with the information on the rating label!
Always use a residual current device (RCD) protected supply.



NOTE: This unit will automatically begin the boiling process when power is switched on at the mains socket.

4. Your product is now ready to be used.



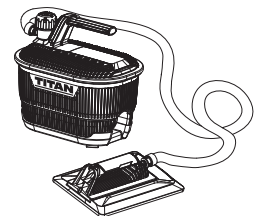
NOTE: During preheat time, do not leave the steam plate (3) facing down and always place it in a suitable container (bucket/trough). Escaping steam could damage surfaces.
Never leave the product unattended while it is connected to the power supply or cooling down. Keep children and pets at safe distance.



In more detail...

Product functions	16
Operation	17
Care and maintenance	19
Troubleshooting	22
Recycling and disposal	24
Guarantee	25
Declaration of conformity	26

In more detail...



Intended use

This wallpaper stripper TTB926STM is designated with a nominal power of 2200 Watts.

This product is intended for wallpaper stripping and can also be used for some cleaning tasks.

The product must never be left unattended while it is connected to power supply or cooling down.

The product is to be used only for its prescribed purpose. Any other use is deemed to be a case of misuse.

For safety reasons it is essential to read the entire instruction manual before first operation and to observe all the instructions therein.



WARNING! Always disconnect the product from power supply and let the product cool down before making adjustments to the product!

In more detail...

Pressure release valve

The safety cap (1) is equipped with a pressure release valve.

When the pressure inside the water tank (4) reaches its maximum level, the valve automatically releases pressure and steam escapes from the openings on top of the safety cap (1). If this happens, check that the hose (5) is not twisted or kinked. This will stop once pressure level inside the water tank (4) decreases to suitable levels.



WARNING! Danger of scalding. Steam may escape from the pressure release valve during and after use.

Thermal cut-out

The water tank socket (4b) is equipped with a thermal cut-out. In the event that the product becomes overheated due to low or no water, the thermal cut-out automatically switches the product off. After a cooling period the product resets and automatically switches on again.



WARNING! Disconnect the product from the power supply if the thermal protection is activated and before removing any parts. There is a risk of scalding with hot water / steam.

1. Inspect the product for water level, possible damage, wear or foreign objects that block the steam plate (3) / hose (5).
2. Eliminate the cause and wait 15 minutes prior to plugging the product again (see "Troubleshooting").



NOTE: Do not use the product if the thermal protection continuously activates even after following the steps under "Troubleshooting". Have it checked and repaired by a qualified specialist.



WARNING! The product is not designed for continuous use. Let it rest for 15 minutes after each hour of running.

General operation

1. Check the product, its power cord and plug as well as accessories for damage before each use. Do not use the product if it is damaged or shows wear.
2. Double check that the accessories and attachments are properly fixed.
3. Always hold the product on its handles. Keep the handles dry to ensure safe support.
4. Ensure openings on the safety cap (1) are always unobstructed and clear. Clean them if necessary with a soft brush. Blocked openings may lead to overheating, overpressure and damage the product.
5. Disconnect the product from the power supply immediately if you are disturbed while working by other people entering the working area. Never leave the product unattended while it is connected to power supply or cooling down.



NOTE: Before initial start and at each re-start, check the water level in the water tank (4). Add water into the water tank (4) if necessary and reconnect the product (see "Filling with water").

Make sure the hose connection is properly secured and the product is placed on a flat surface.

Even though the hose (5) has a double wall to reduce risks of burn if touched or grabbed the steam plate (3), water tank (4) and hose (5) will get hot during use. Allow the product and attachments to cool down before removing or changing them.

In more detail...

Stripping



WARNING! Check the walls and / or ceilings before operation. If the material is damaged, loose or seems fragile, consider not using the product to avoid further damage caused by steam and water. Test the product on a small area before operation.

1. Place the product on its feet on a flat, stable, heat-resistant surface.



NOTE: Place a suitable element, such as a wooden board, under the product to avoid marking and / or damaging the surface due to heat generated by the product.

2. Ensure the water level in the water tank (4) is located between the **MIN** and **MAX** markings and then connect the product to power supply.
3. While the product preheats, score the wallpaper with a suitable tool, such as a wallpaper scorer or a scraper (7).



WARNING! Wear protective gloves and safety glasses during operation.

Always grasp the steam plate (3) by its handle (3c) and keep the steam plate (3) at arms length to avoid burns due to escaping steam.

Do not direct steam towards yourself or others.



4. The product is ready when the water is boiling and steam escapes from the steam plate (3). Hold the steam plate by its handle (3c) and apply to the work area (Fig. 10).
5. After 10 seconds, move the steam plate (3) to the area next to the one you steamed. Use the supplied scraper (7) to lift / remove the piece of wallpaper you steamed.

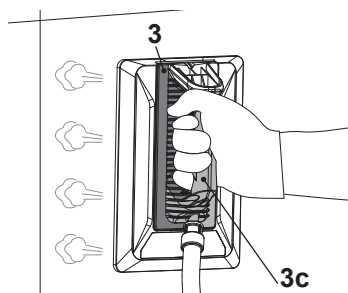


Fig. 10



NOTE: If the wallpaper proves difficult to remove, leave the steam plate (3) a few more seconds on each area. Alternatively, spray the scored wallpaper with water and let soak for 10 minutes before applying steam.



6. Keep working along the strip of wallpaper until it can be completely removed from the wall.
7. Repeat above steps until all wallpaper strips have been removed from the walls.



NOTE: The product is not designed for continuous use. Disconnect it from the power supply and let it rest for 15 minutes after each hour of running.

The max volume of water is sufficient for **80** minutes of use. Check the water level regularly during use and ensure it does not reach below the MIN marking. Add water if necessary (See "Filling with water").

After use

1. Disconnect the product from the power supply to switch it off, unplug the power cord from the product and let it cool down.
2. Check, clean and store the product as described below.

The golden rules for care



WARNING! Always disconnect the product from the power supply and let the product cool down before performing inspection, maintenance and cleaning work!



1. Keep the product clean. Remove debris from it after each use and before storage.
2. Regular and proper cleaning will help ensure safe use and prolong the life of the product.
3. Inspect the product before each use for worn and damaged parts. Do not operate it if you find broken and worn parts.



WARNING! Only perform repairs and maintenance work according to these instructions! All further works must be performed by a qualified specialist!

General cleaning

1. Clean the product with a dry cloth. Use a brush for areas that are hard to reach.

In more detail...

General cleaning



NOTE: Do not use chemical, alkaline, abrasive or other aggressive detergents or disinfectants to clean this product as they might be harmful to its surfaces.

2. Check for worn or damaged parts. Replace worn parts as necessary or contact an authorised service centre for repair before using the product again.

Maintenance

Before and after each use, check the product and accessories (or attachments) for wear and damage. If required, exchange them for new ones as described in this instruction manual. Observe the technical requirements.

Lime scale removal

From time to time – according to the nature of your tap water – calcium deposits form in the product and accessories. The strength of the deposits (and thus the frequency of removal) depends upon the degree of hardness of the water and how often the product is used. Check with your local water company in order to find the hardness of the water in your area.



NOTE: Use a mixture of water and citric acid or vinegar for lime scale removal. These substances are readily biodegradable and environmentally friendly!

1. Make a mixture of one part of vinegar and two parts water in a suitable container, e. g. in a bucket.
2. Fill the water tank (4) with the mixture.
3. Connect the product to the power supply and let it heat up for 15 minutes.
4. Disconnect the product from the power supply and leave the mixture in the tank for approximately 1 hour.
5. Then empty the tank and rinse with clear water to remove residue.



NOTE: Rinse the water tank (4) with 1 litre of water after each use to reduce lime scale formation.

Power cord

If the power cord is damaged, it must be replaced by the manufacturer, its service agent or similarly qualified persons in order to avoid a safety hazard.


UK plug

If you need to replace the fitted plug, then follow the instructions below. **IMPORTANT:** The wires in the mains lead are coloured in accordance with the following code:

Blue – Neutral

Brown – Live

Green/Yellow - Earth

As the colours of the wire in the mains lead of this product may not correspond with the coloured marking identifying the terminals in your plug, proceed as follows. The wire, which is coloured blue, must be connected to the terminal, which is marked with N or coloured black. The wire, which is coloured brown, must be connected to the terminal, which is marked L or coloured red. The wire, which is colored green/yellow, must be connected to the terminal, which is marked E or .



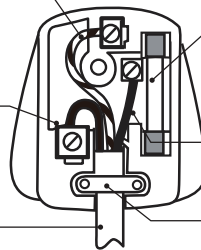
WARNING! Never connect live or neutral wires to the earth terminal of the plug, which is marked with E.

Connect green/yellow wire to E (Protective earth)



Connect Blue to N (Neutral)

Outer sleeve firmly clamped



13 AMP fuse approved to BS 1362

Brown L (Live)

Cable grip

Only fit an approved BS 1363 or BS 1363/A plug and correctly rated BS 1362 13 Amp fuse. If in doubt, consult a qualified electrician.



NOTE: If a moulded plug is fitted and has to be removed take great care in disposing of the plug and severed cable, it must be destroyed to prevent engaging into a socket.

In more detail...

Repair

This product does not contain any parts that can be repaired by the consumer. Contact an authorised service centre or a similarly qualified person to have it checked and repaired.

Storage

1. Disconnect the product from the power supply to switch it off and unplug the power cord from the product.
2. Clean the product as described above.
3. Store the product and its accessories in a dark, dry, frost-free, well-ventilated place.
4. Always store the product in a place that is inaccessible to children. The ideal storage temperature is between 10 °C and 30 °C.
5. We recommend using the original package for storage or covering the product with a suitable cloth or enclosure to protect it against dust.
6. Drain remaining water from the water tank (4) at the end of each working.

Transportation

1. Disconnect the product from the power supply to switch it off and unplug the power cord (6) from the product.
2. Refit the steam plate (3) to the carry handle (2) and lock it with the lock button (2a).
3. Always carry the product by its carry handle (2) and steam plate handle (3c).
4. Protect the product from any heavy impact or strong vibrations which may occur during transportation in vehicles.
5. Secure the product to prevent it from slipping or falling over.

Troubleshooting

Suspected malfunctions are often due to causes that the user can fix themselves. Therefore check the product using this section. In most cases the problem can be solved quickly.



WARNING! Only perform the steps described within these instructions! All further inspection, maintenance and repair work must be performed by an authorised service centre or a similarly qualified specialist if you cannot solve the problem yourself!



Problem	Possible cause	Solution
1. Product does not start	1.1. Not connected to power supply 1.2. Power cord or plug is defective 1.3. Other electrical defect to the product	1.1. Connect to power supply 1.2. Check by a specialist electrician 1.3. Check by a specialist electrician
2. Product does not reach boiling temperature	2.1. Extension cord not suitable for operation with this product 2.2. Power source (e. g. generator) has too low voltage 2.3. Safety cap not fitted properly	2.1. Use a proper extension cord 2.2. Connect to another power source 2.3. Securely fit safety cap
3. Unsatisfactory result	3.1. Boiling temperature not reached 3.2. Insufficient amount of water in water tank 3.3. Steam plate is partly blocked 3.4. Excessive water in steam plate 3.5. Heating element covered with lime scale	3.1. Let the product pre-heat for longer time 3.2. Add water in water tank (see "Filling with water") 3.3. Remove the blockage 3.4. Remove excessive water from time to time 3.5. Cleaning the heating element (see "Lime scale removal")
4. Abnormal escaping steam from safety cap	4.1. Damaged pressure release valve 4.2. Steam release openings and / or steam plate is blocked	4.1. Replace with a suitable safety cap 4.2. Remove blockage
5. Escaping steam from hose / connection	5.1. Loose connection 5.2. Damaged hose 5.3. Steam release openings and / or steam plate is blocked	5.1. Tighten connection 5.2. Replace with a suitable hose 5.3. Remove blockage

In more detail...

Recycling and disposal



Waste electrical products should not be disposed of with household waste. Please recycle where facilities exist. Check with your Local Authority or local store for recycling advice.

For further information visit www.recycle-more.co.uk.

The product comes in a package that protects it against damage during shipping. Keep the package until you are sure that all parts have been delivered and the product is working properly. Recycle the package afterwards.

In more detail...



Guarantee

We take special care to select high quality materials and use manufacturing techniques that allow us to create products incorporating design and durability. This product (**TITAN** 2200W Wallpaper Stripper) has a manufacturer's guarantee of 2 years against manufacturing defects, from the date of purchase (if bought in store) or date of delivery (if bought online), at no additional cost for normal (non-professional or commercial) household use.

To make a claim under this guarantee, you must present your proof of purchase (such as a sales receipt, purchase invoice or other evidence admissible under applicable law), please keep your proof of purchase in a safe place. For this guarantee to apply, the product you purchased must be new, it will not apply to second hand or display products. Unless stated otherwise by applicable law, any replacement product issued under this guarantee will only be guaranteed until expiry of the original guarantee period.

This guarantee covers product failures and malfunctions provided the product was used for the purpose for which it is intended and subject to installation, cleaning, care and maintenance in accordance with the information contained in these terms and conditions, in the user manual and standard practice, provided that standard practice does not conflict with the user manual.

This guarantee does not cover defects and damage caused by normal wear and tear or damage that could be the result of improper use, faulty installation or assembly, neglect, accident, misuse, or modification of the product. Unless stated otherwise by applicable law, this guarantee will not cover, in any case, ancillary costs (shipping, movement, costs of uninstalling and reinstalling, labour etc), or direct and indirect damage.

This guarantee does not cover defects and damage caused by or resulting from:

- Normal wear and tear
- Overload, misuse or neglect
- Repairs attempted by anyone other than an authorised agent
- Cosmetic damage
- Damage caused by foreign objects, substances or accidents
- Accidental damage or modification
- Failure to follow manufacturer's guidelines
- Loss of use of the goods

If the product is defective, we will, within a reasonable time, repair or replace it. Rights under this guarantee are enforceable in the country in which you purchased this product. Guarantee related queries should be addressed to the store you purchased this product from.

The guarantee is in addition to and does not affect your statutory rights.

In more detail...

Declaration of conformity



TTB926STM by TITAN

Declaration of conformity

EN

In more detail...



EN

Declaration of conformity

TTB926STM by TITAN

In more detail...



TITAN

Manufacturer, Fabricant, Producent, Producător, Fabricante:

UK Manufacturer:

Kingfisher International Products Limited
3 Sheldon Square, London, W2 6PX
United Kingdom
www.kingfisher.com/products

EU Manufacturer:

Kingfisher International Products B.V.
Rapenburgerstraat 175E
1011 VM Amsterdam
The Netherlands
www.kingfisher.com/products

EN

www.diy.com

To view instruction manuals online, visit
www.kingfisher.com/products

FR

www.castorama.fr

Pour consulter les manuels d'instructions en ligne,
rendez-vous sur le site www.kingfisher.com/products

PL

www.castorama.pl

Aby zapoznać się z instrukcją obsługi online, odwiedź
stronę www.kingfisher.com/products

RO

www.bricodepot.ro

Pentru a consulta manualele de instrucțiuni online, vizitați
www.kingfisher.com/products

TR

www.koctas.com.tr

Kullanım kılavuzuna internet üzerinden ulaşmak için
www.kingfisher.com/products adresini ziyaret edin