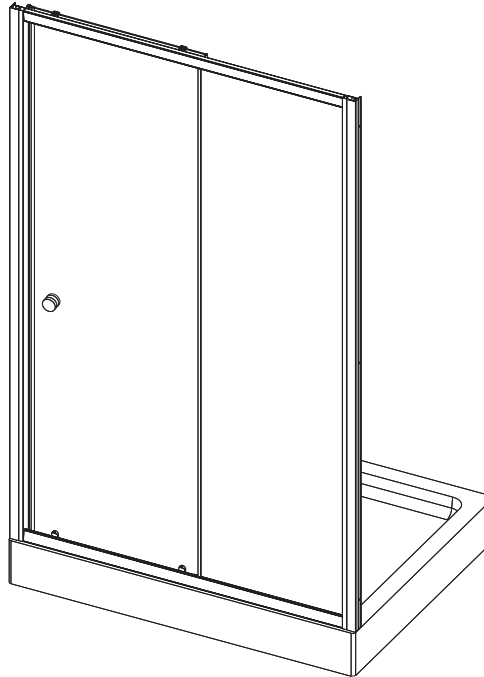


SLIDING DOOR INSTALLATION GUIDE



***Please read these instructions carefully and keep for future reference.
Incorrect fitting will invalidate the guarantee.***

SAFETY

- Handle glass with great care. Although the glass is very tough, sharp impacts can damage both the glass and metal frame.
- Make sure there are no hidden pipes or cables hidden in the wall where you intend to drill.
- Wear safety goggles, shoes and appropriate clothing.

BEFORE INSTALLATION

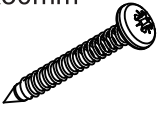


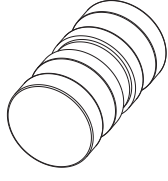
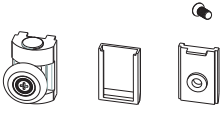


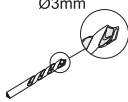
- Check that the shower tray is level in all directions. The enclosure will not sit correctly on an uneven surface. If uneven, the wall channels may not fit and the doors may not shut correctly.
- The enclosure should be fitted on tiled walls which are sealed with waterproof grout.
- There must be a good silicone seal between the rim of the shower tray and the wall.
- The shower tray and the enclosure must match in size. Attempting to fit the incorrect size of enclosure to the shower tray will result in water leaks.
- Always check very carefully that components are vertical.
- To avoid damage, use the opened out packaging to build the enclosure on.

Equipment needed:

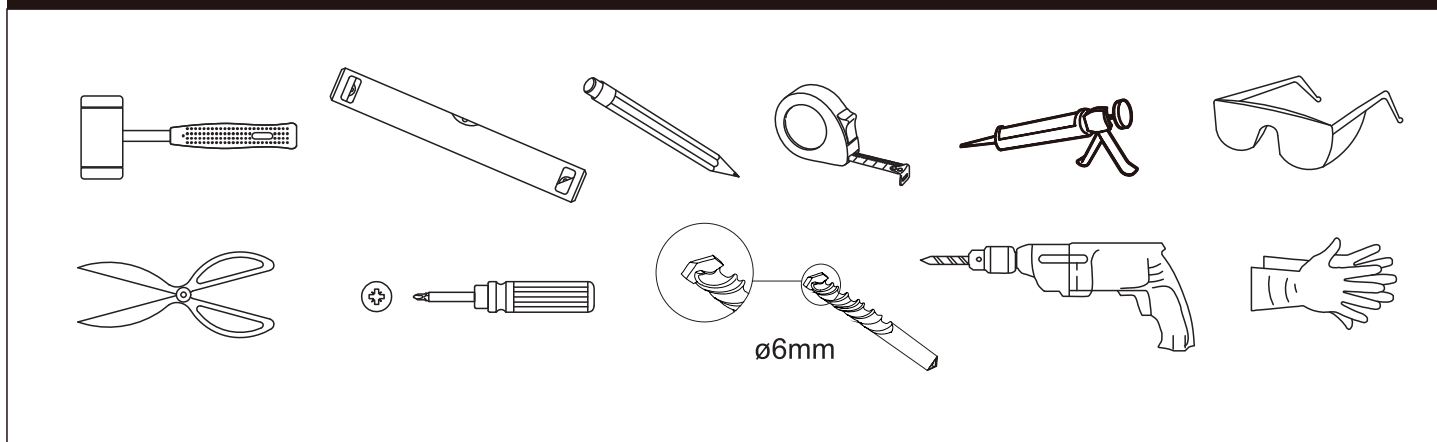
Drill, 6.0mm Masonry Bit, Crosshead PH2 Screwdriver, Spirit Level, Pencil, Tape Measure, Silicone Sealant.

Note: The screws and wall plugs supplied are for masonry walls. For lightweight walls i.e. stud partition, plasterboard etc, use the correct type of fixings.

FIXING KIT COMPONENTS

<p>4x30mm</p> <p>6</p> 	<p>6</p> 	<p>4x16mm</p> <p>6</p> 	 <p>1</p>
<p>2</p> 	<p>2</p> 	<p>12</p> 	
		<p>1</p> <p>Ø3mm</p> 	

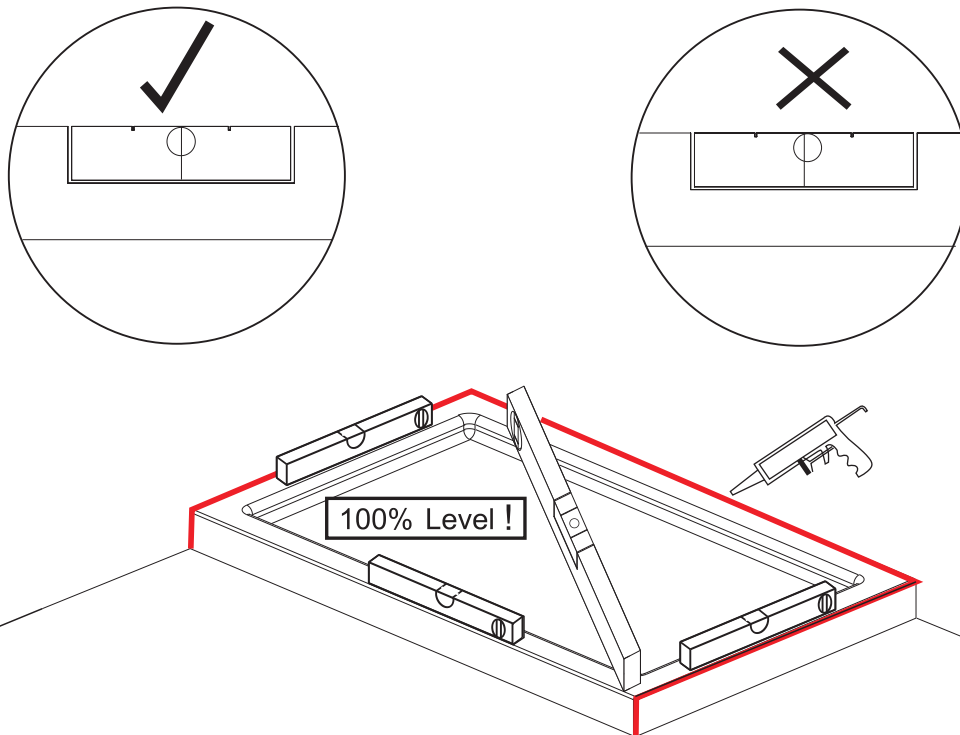
TOOLS REQUIRED



SLIDER DOOR CODE	DOOR SIZE IN MM	OVERALL ADJUSTMENT IN RECESS MM
TN6210	1000	950-990
TN6211	1100	1050-1090
TN6212	1200	1150-1190

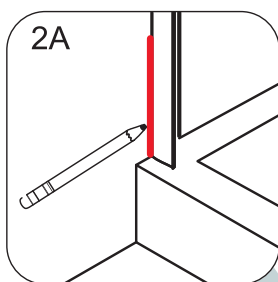
STAGE 1

Please ensure your tray is 100% level in all direction before fitting your enclosure.

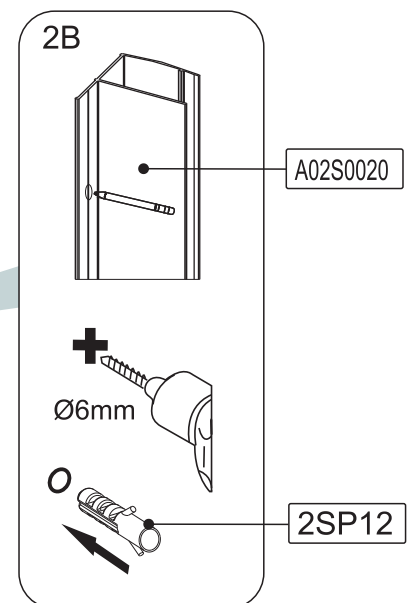
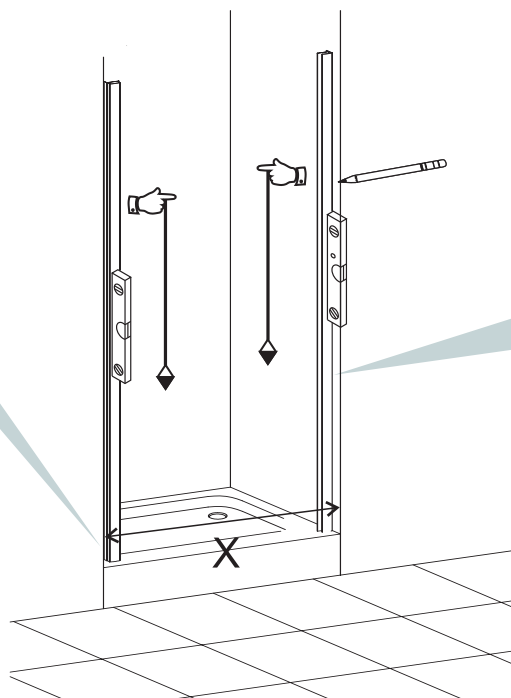


STAGE 2

Determine your step in from the edge of the tray. Measure your X dimension. Measurement must fall within the below table of adjustments market as X. Plumb your wall profiles and mark the points of fixing.

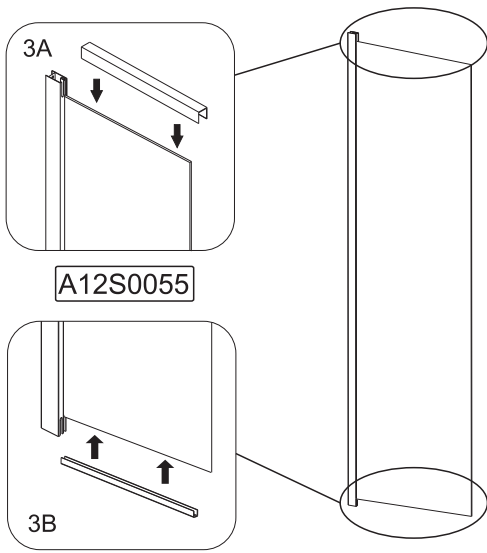


CODE	X
TN6210	950-990
TN6211	1050-1090
TN6212	1150-1190



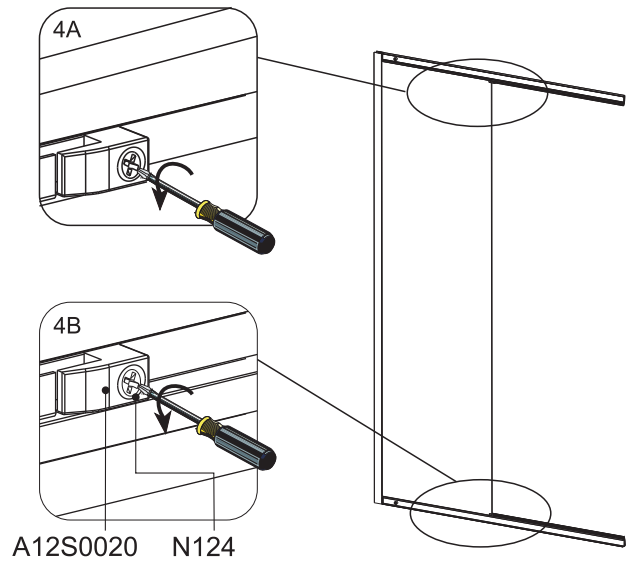
STAGE 3

Fit your fixed panels seal to the top and bottom of the fixed panel.



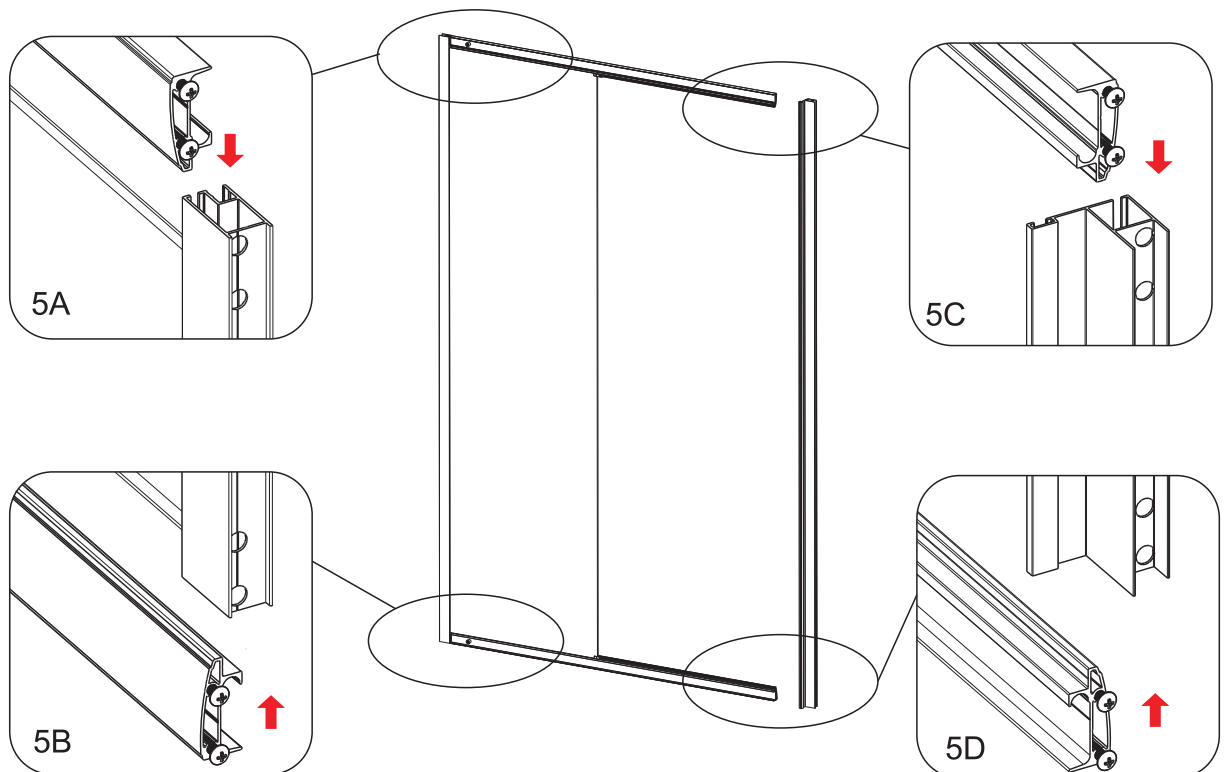
STAGE 4

Loosen the screw before you fit your top and bottom profile to the upright profile.

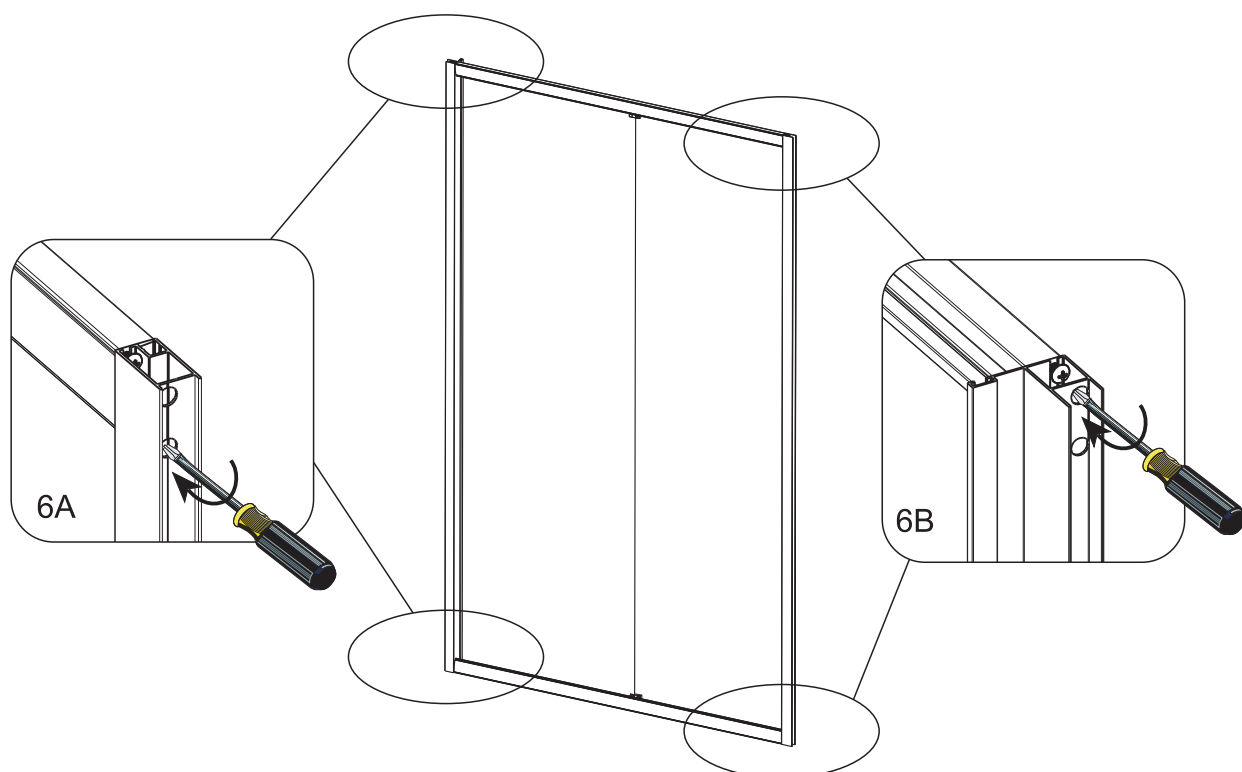


STAGE 5

Slot the top and bottom profile fixing screws into the slots in the upright profile.



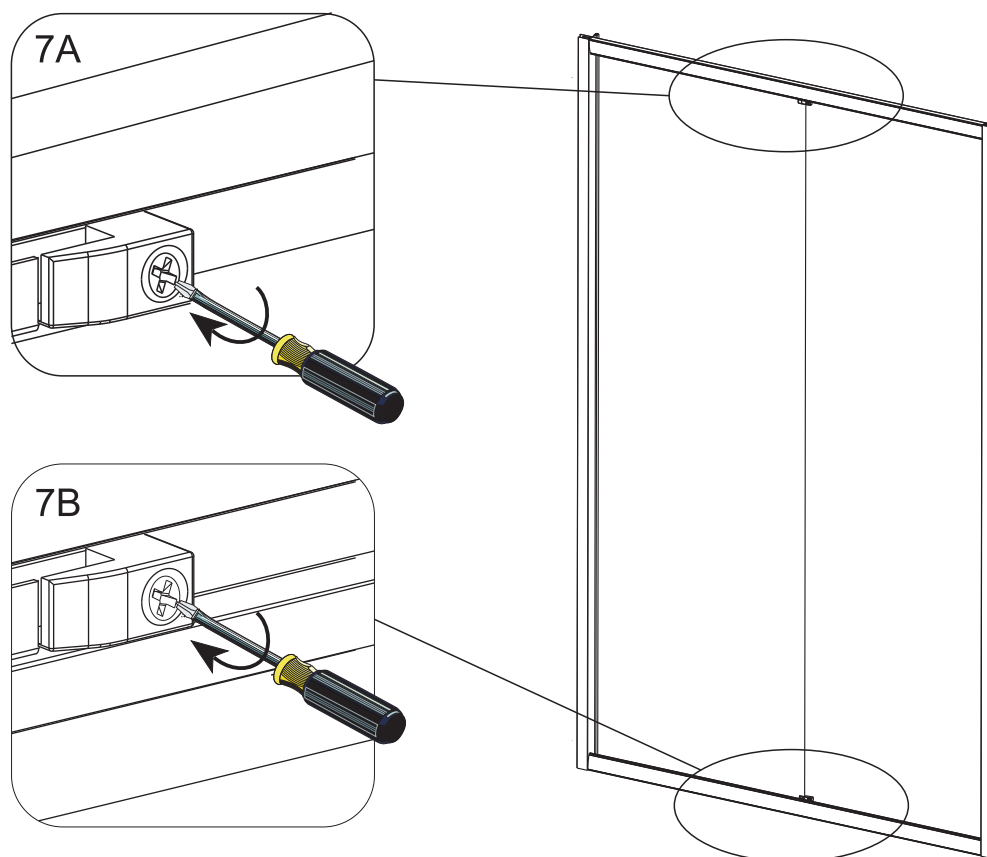
STAGE 6



Note: Do not over tighten the screws

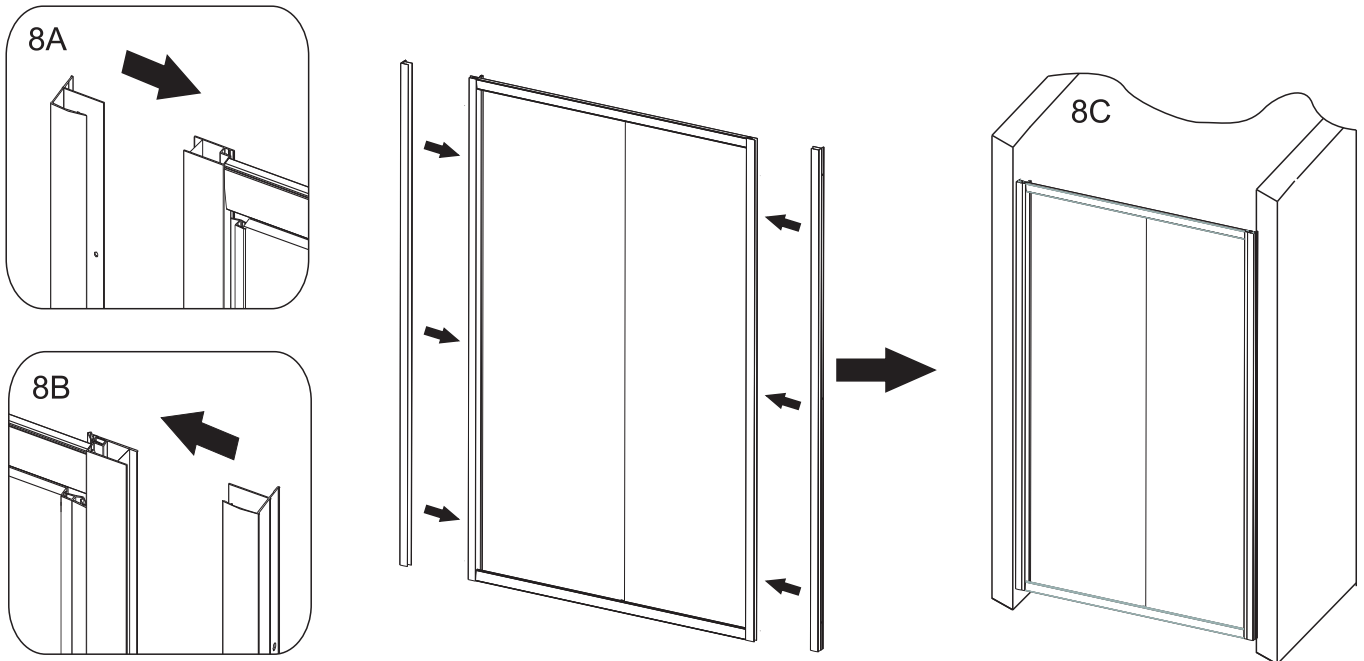
STAGE 7

Tighten A12S0020 onto the fixed panel to secure the glass.



STAGE 8

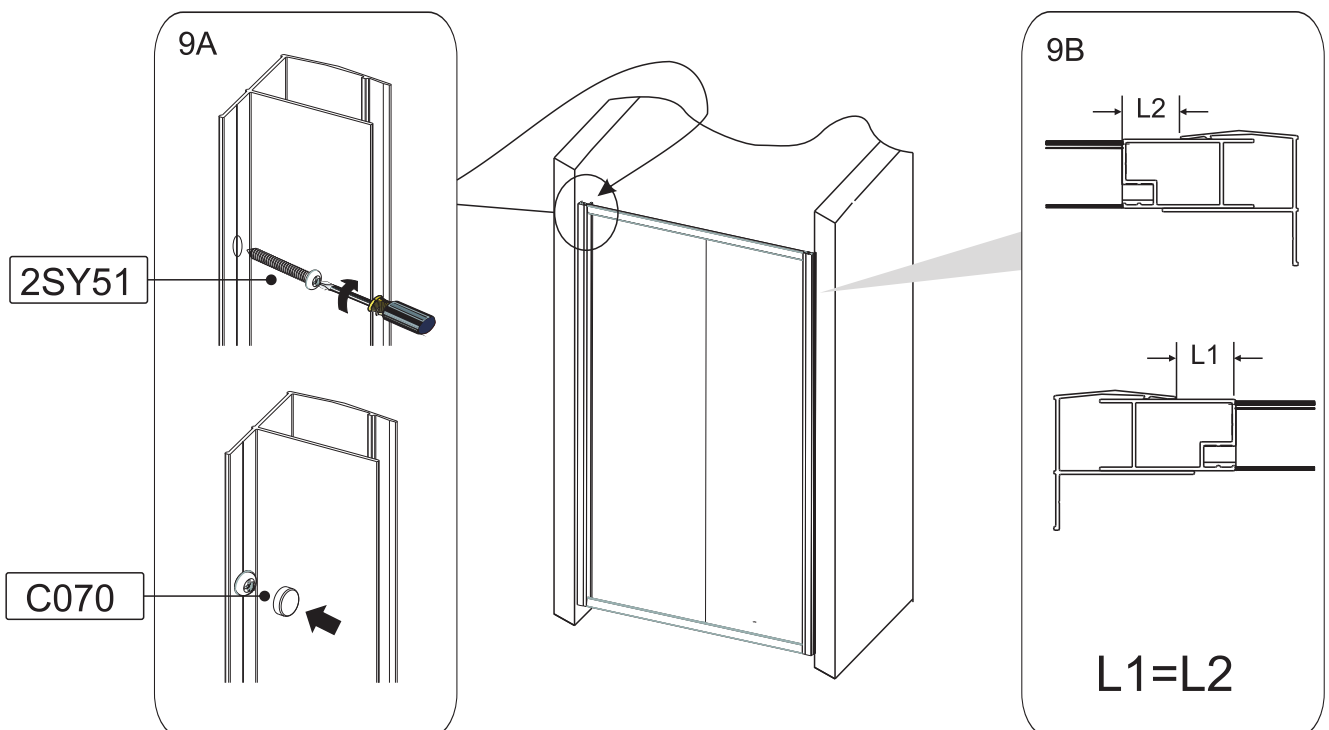
When fitting a fully framed product into a recess you must push the wall profiles on the uprights. Then lift the assembled frame onto the tray.



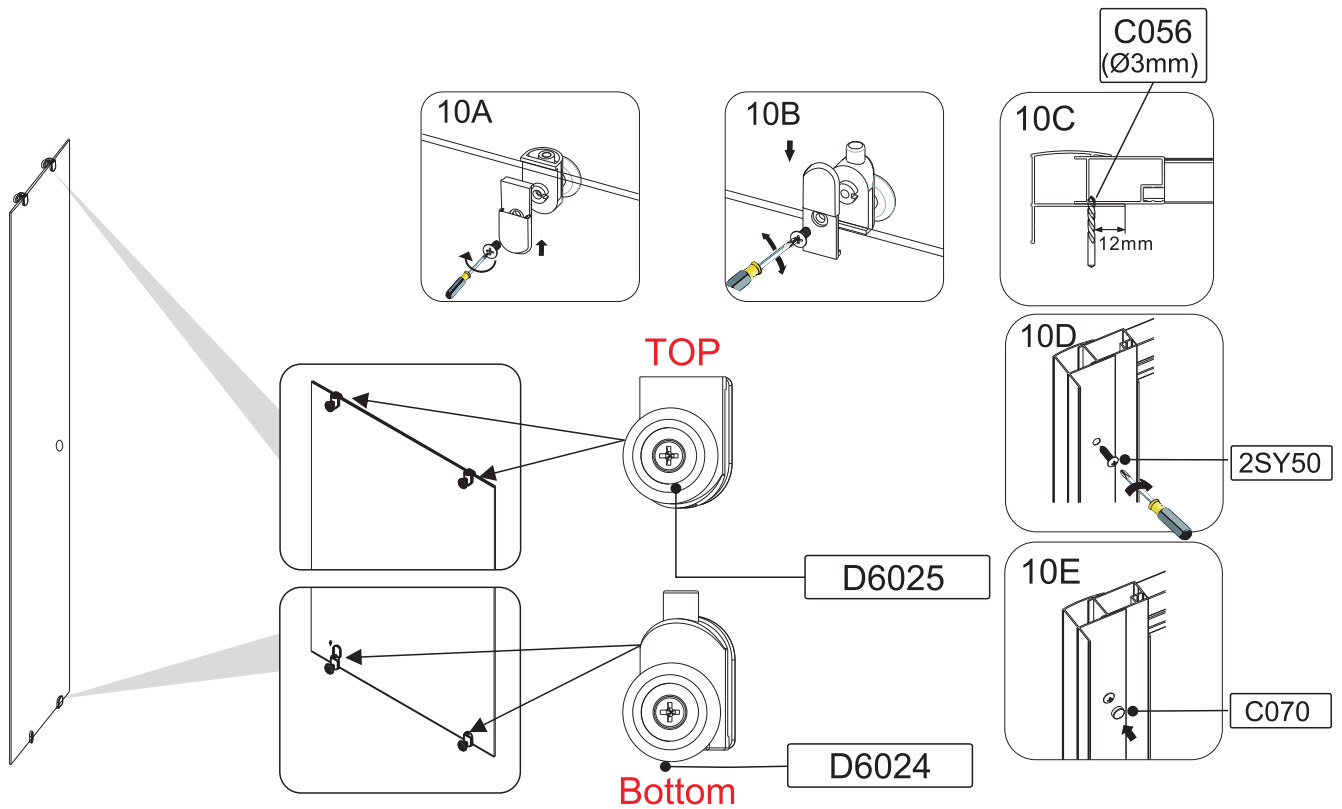
STAGE 9

When the enclosure is between your two walls you can then fix your wall profiles to the walls using the fixing screws provided.

Equalise the gaps on either side of the upright profiles and fix using 2SY51

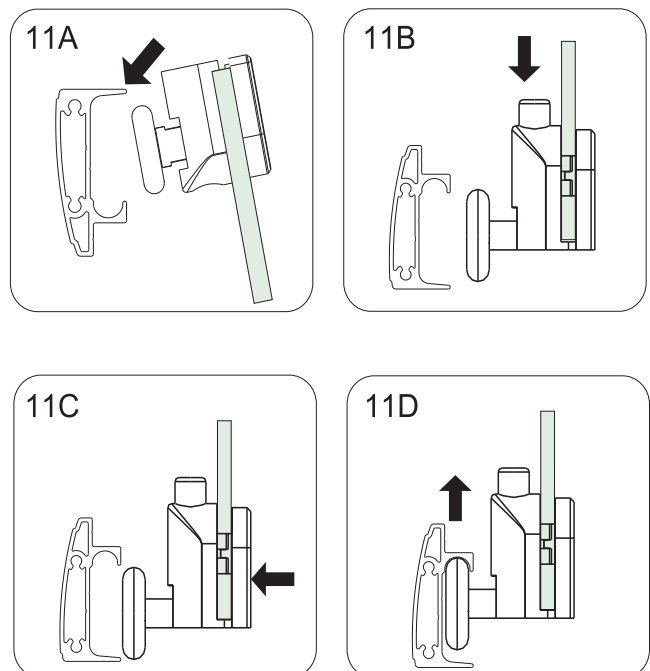
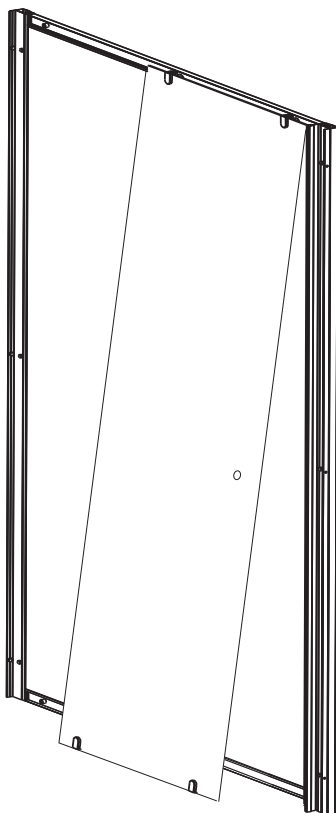


STAGE 10

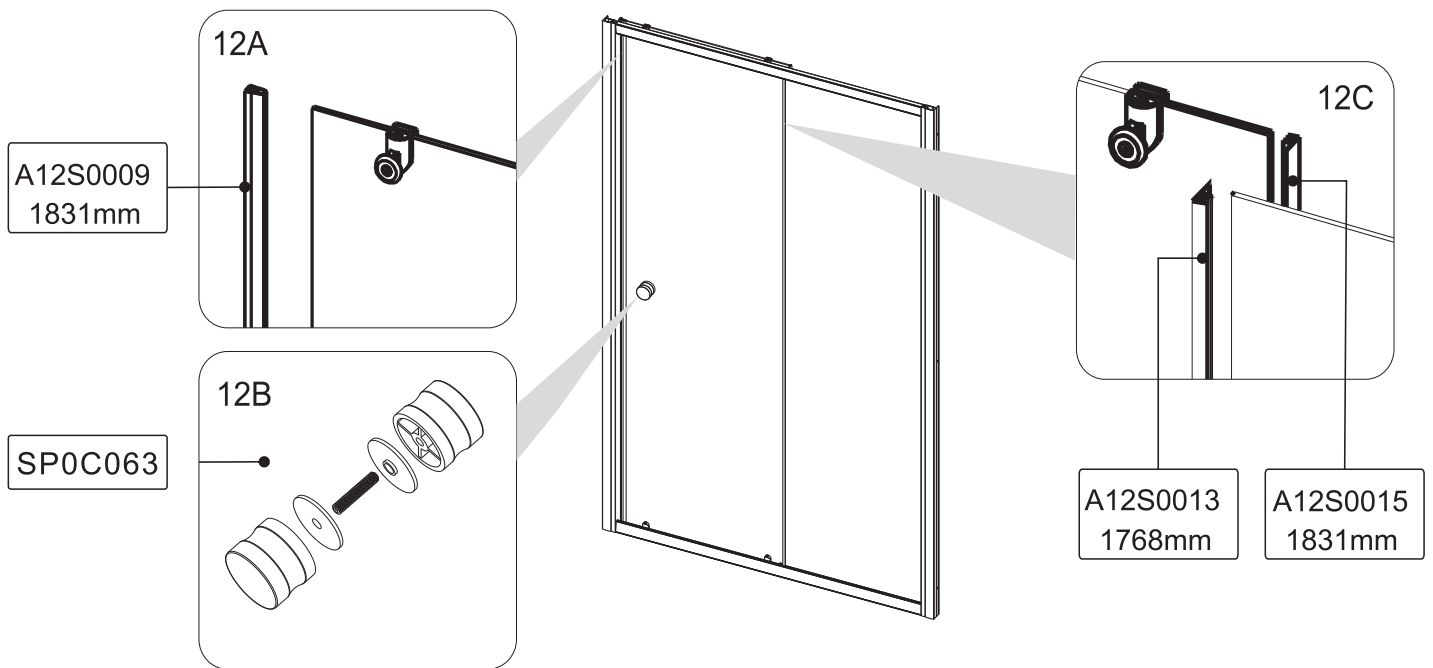


STAGE 11

To fit your door panel firstly hang the top roller to support the weight of the glass panel. You can then leave your door panel hang making it easier to release your easy clean roller into the bottom track.

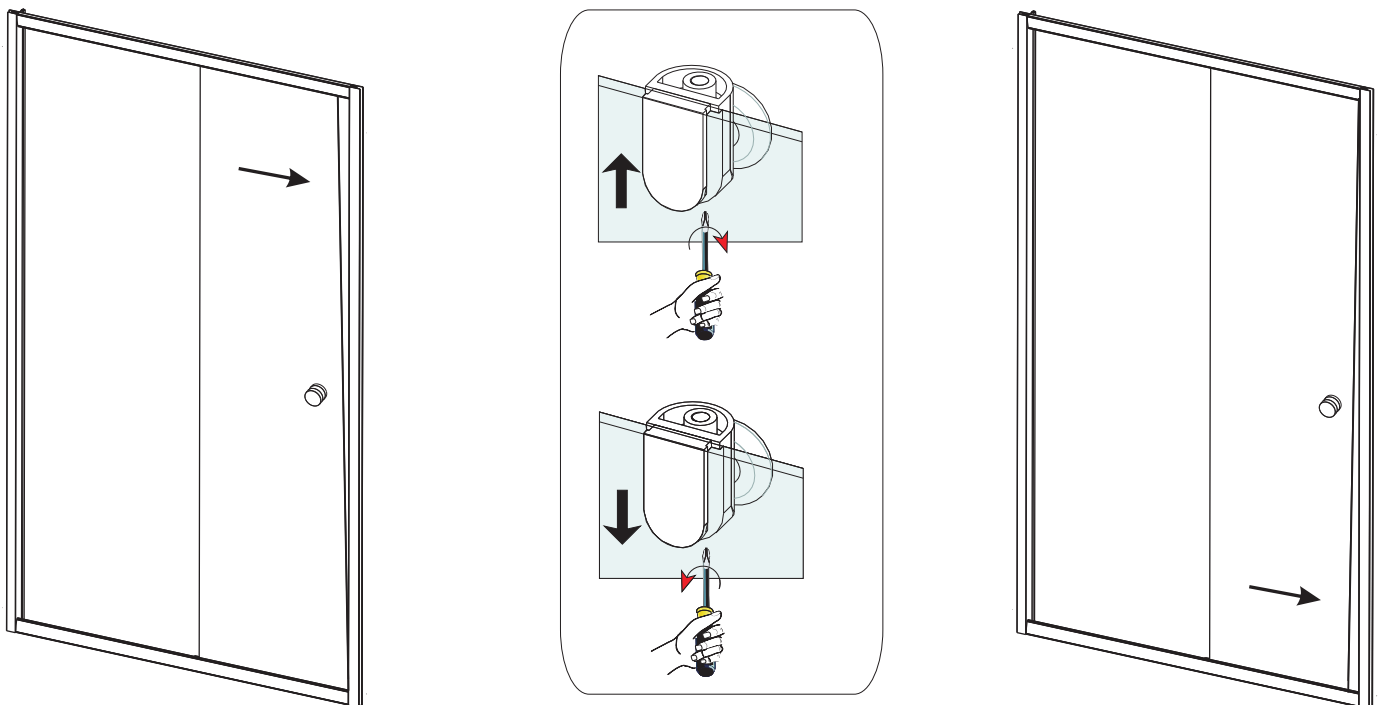


STAGE 12

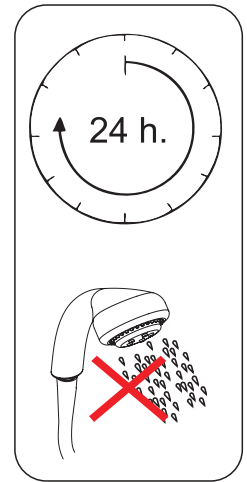
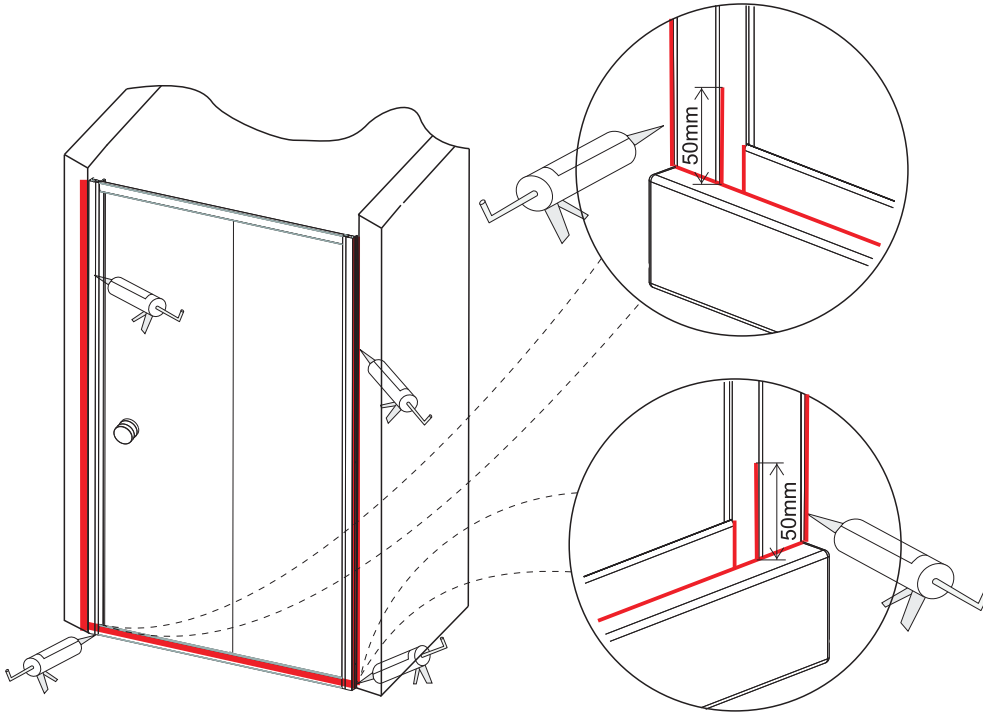


STAGE 13

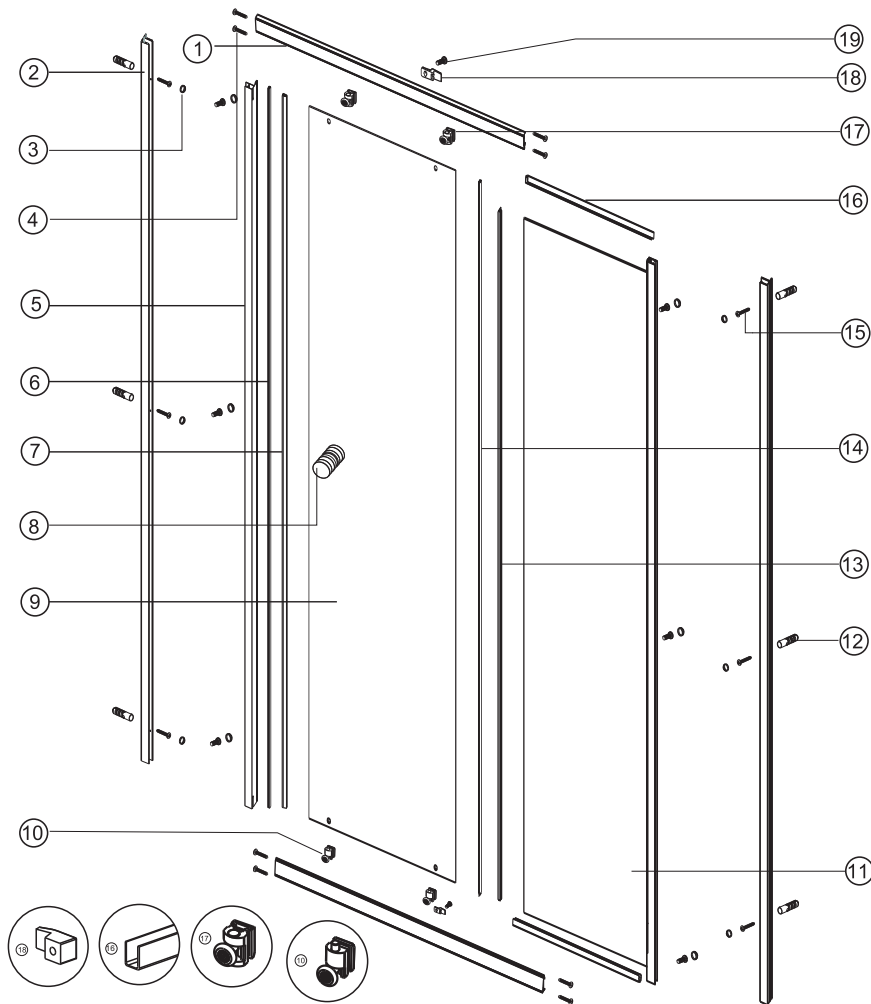
You can adjust the gaps between the door panel and the closing post by turning the adjustment screw in the top roller.



STAGE 14



PARTS LIST



Item No.	Part List Description	Part Code	Sliding Door Size Variations		
			1000	1100	1200
1	Top And Bottom Profile Set W1000mm	A	2		
1	Top And Bottom Profile Set W1100mm	A		2	
1	Top And Bottom Profile Set W1200mm	A			2
2	Wall Profile	A02S0020	2	2	2
3	Screw Cover Cap	C070	12	12	12
4	Round Screw 3.5*30	N081	8	8	8
5	Upright Profile	A02S0022	1	1	1
6	Magnet Seal	A02S0039	1	1	1
7	Magnet Seal	A12S0009	1	1	1
8	Handle	SP0C063	1	1	1
9	Moving Glass B	B	1	1	1
10	Bottom Roller	D6024	2	2	2
11	Fixed Glass C	C	1	1	1
12	Wall Plug	2SP12	6	6	6
13	Upright Seal 12S0013 For Fixed Glass	A12S0013	1	1	1
14	Upright Seal 12S0015 For Moving Glass	A12S0015	1	1	1
15	Round Screw 4*30	2SY51	6	6	6
16	Waterproof Seal	A12S0055	2	2	2
17	Top Roller	D6025	2	2	2
18	Glass Clip (Has Been Installed)	A12S0020	2	2	2
19	Round Screw 4*16	N124	2	2	2