

ROLO

CENTRAL HEATING INSTALATION INSTRUCTIONS

Determine Correct Orientation for Installation

Removable stickers on the product will indicate which way up you need to install, as follows:

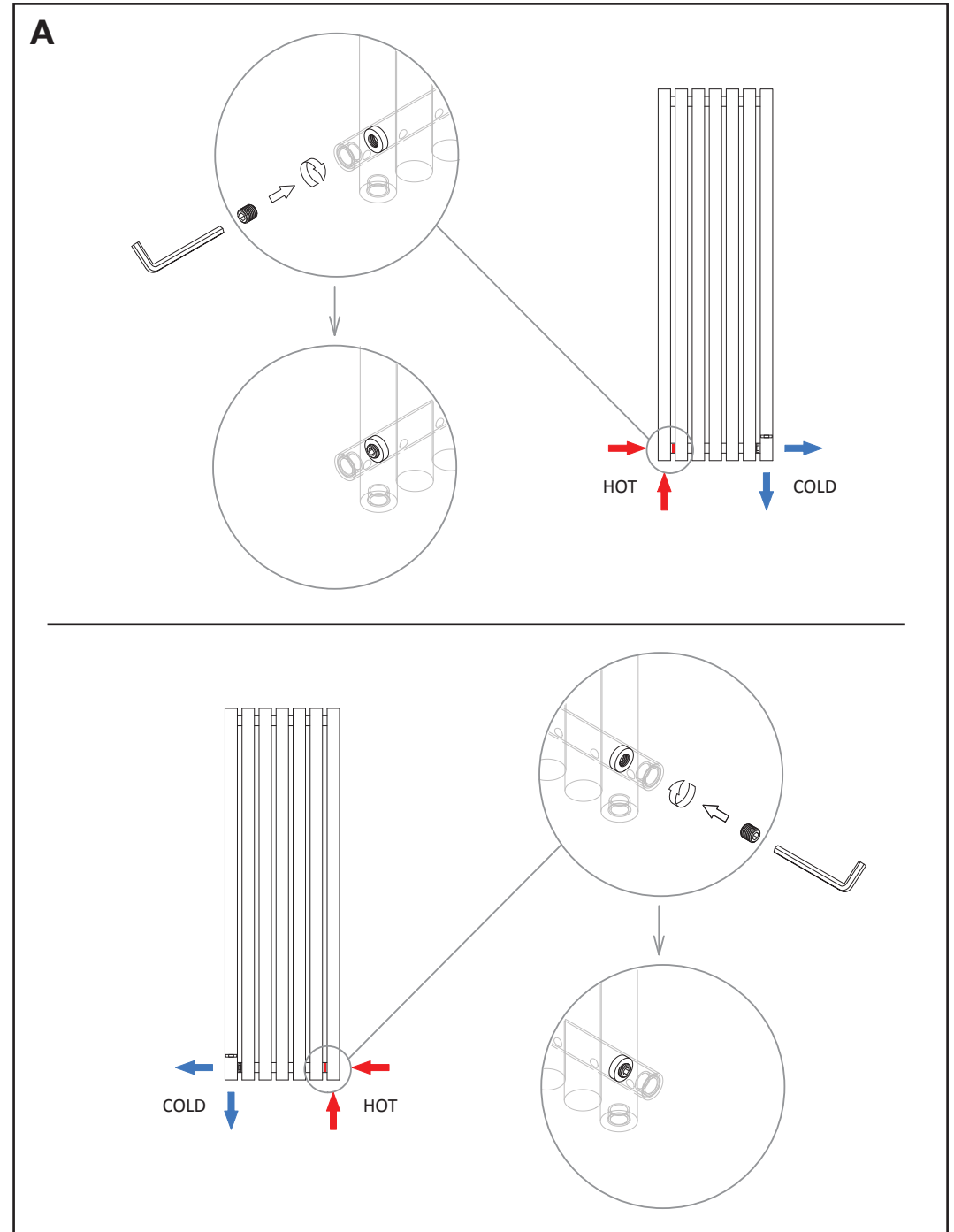
- TOP if C/Heating - (Vertical Bar Orientation)
- TOP if C/Heating - (Horizontal Bar)

In CENTRAL HEATING installation you will require the threaded plug found in the bracket box and an 8 mm Allen Key (not supplied). This threaded plug will act as a flow diverter, forcing the flow of the water up and over inside the radiator, to achieve even heat distribution of all bars.

Where to install the threaded plug

When the product is to be mounted portrait the threaded plug will need to be screwed in on the FLOW side. When portrait you can choose to have the flow on the left or right hand side.

IMAGE A: The plug is screwed in on the left hand side, where the flow is coming in.



ROLO

CENTRAL HEATING INSTALATION INSTRUCTIONS

Where to install the threaded plug

When the product is to be mounted landscape the threaded plug needs to be screwed into the left hand side of the radiator.

IMAGE B: This will force the water efficiently around the radiator whether the flow is coming from the left or the right hand side.

Fully Balance System

The radiator has big capacity, before commissioning bleed the heating system and check the pressure in the system

