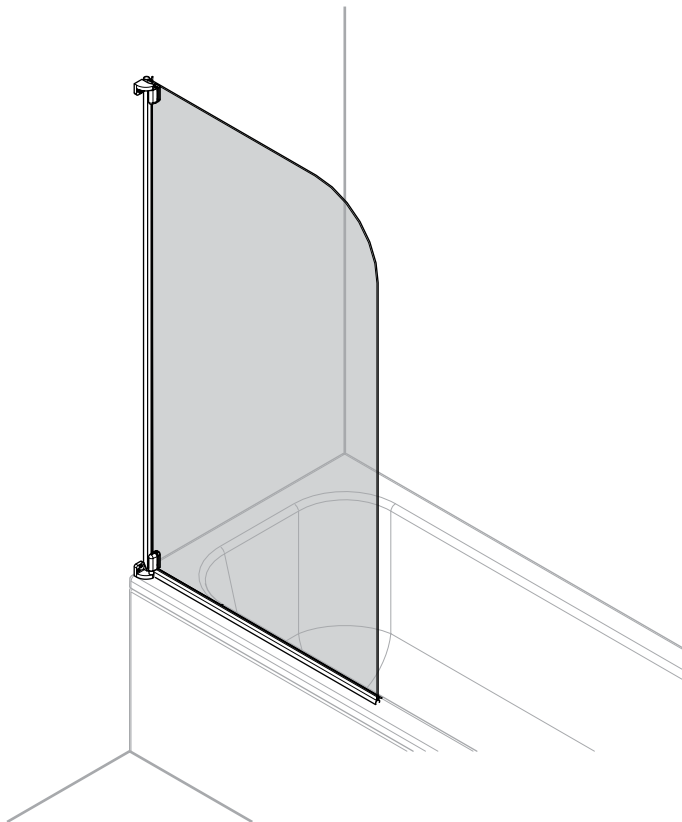


IN00369 (ISS D)

# Half Frame Radius Bath Screen

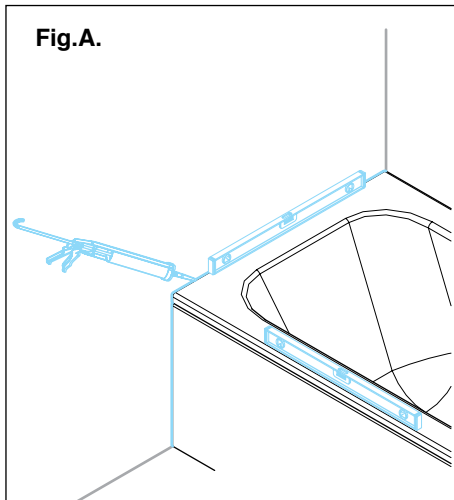
- Instruction suitable for both Right and Left Hand fixing variations.
- This product is designed to open outwards.



## Before You Start

- Check that the bath has been installed correctly and that it is level (Fig. A), tiled down onto and sealed to the manufacturer's guidelines. **Please Note:** All product supplied without bath.
- Check that there is sufficient space on the bath for the product and that the screen movement does not foul other items such as sinks and taps.
- **Please Note:** This product is outward opening only.
- Ensure the product is fitted to a non-porous surface ie. tiled. Check that the wall surface is flat.
- Unpack and check the product is complete and undamaged.
- Fixings are supplied for solid walls only. Ensure that the correct fixings are used for the wall type – if in doubt seek professional advice
- Ensure the area is clean, dry and dust free.
- Read the instructions in full.
- Have the correct tools available, (as shown below, see 'Tools Required').

Fig.A.




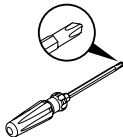
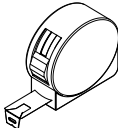
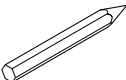
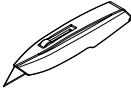
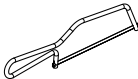
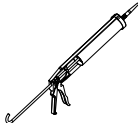
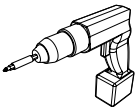

## Safety

- Handle all glass with care - support on cardboard to avoid risk of breakage.
- This product is heavy and requires 2 people to carry and install it.
- When drilling walls check first for hidden pipes and cables.
- All glass is toughened – it cannot be reworked or replaced by ordinary glass.
- Use safety eyewear when drilling.
- Use safety eyewear when handling glass.
- Keep all small parts away from children.

## Disclaimer

- Please notify the retailer immediately of any damage or faults. The manufacturer cannot be held responsible for any installation costs that may arise from damaged or faulty product being installed.
- Please dispose of all packaging with due regard to the environment.

## Tools Required (not supplied)

<p>Spirit Level</p> 	<p>Screwdriver</p> 	<p>Tape Measure</p> 	<p>Pencil</p> 	<p>Utility Knife</p> 
<p>Junior Hacksaw</p> 	<p>Silicone Gun &amp; Sealant</p> 	<p>Power Drill</p> 	<p>Suitable Drill Bits</p>  <p>6mm dia. *</p>	<p>* Ensure drill bit used is suitable for wall surface</p>

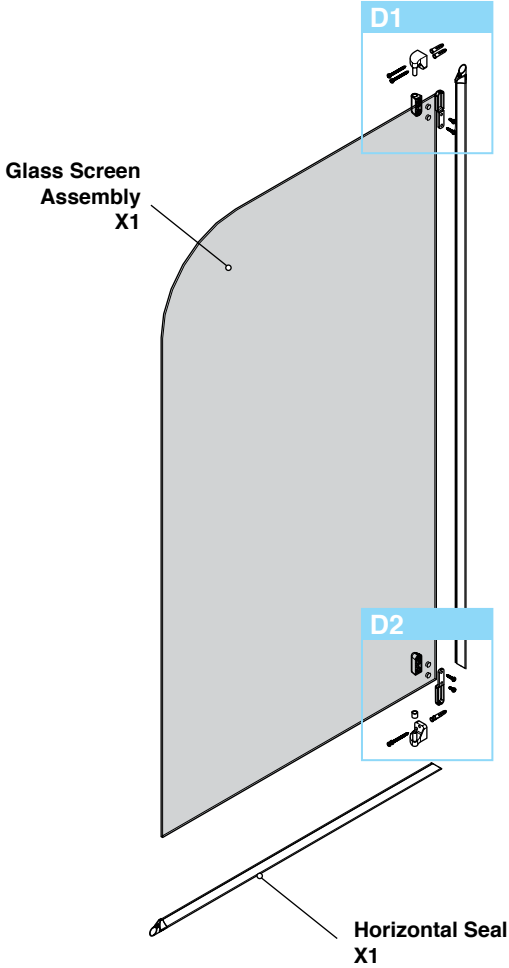
# Parts & Fittings Supplied



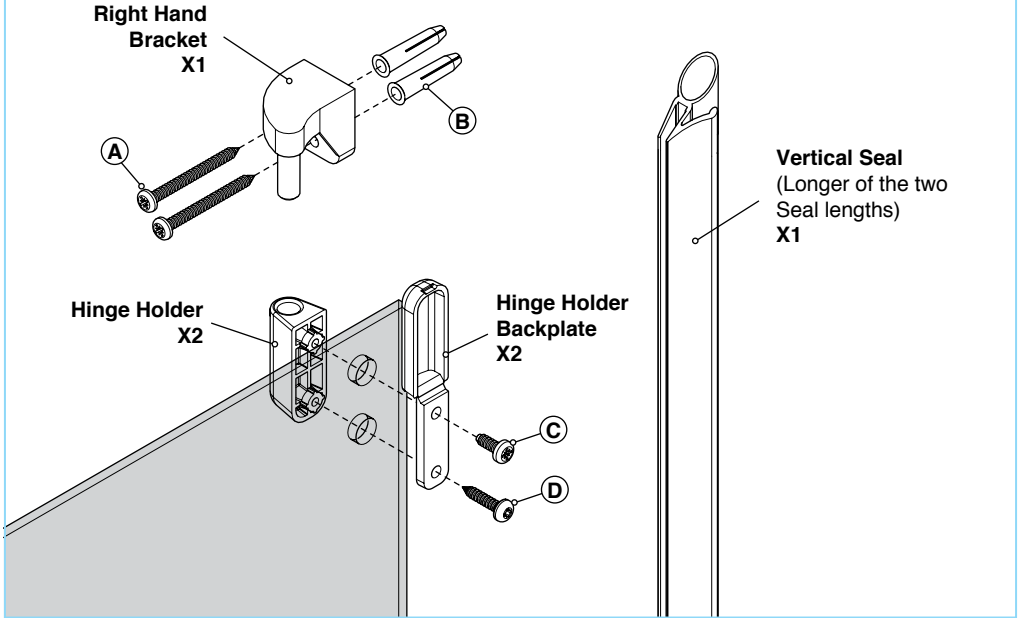
Please notify the retailer immediately of any damage or faults. The manufacturer cannot be held responsible for any installation costs that may arise from a damaged or faulty product being installed.



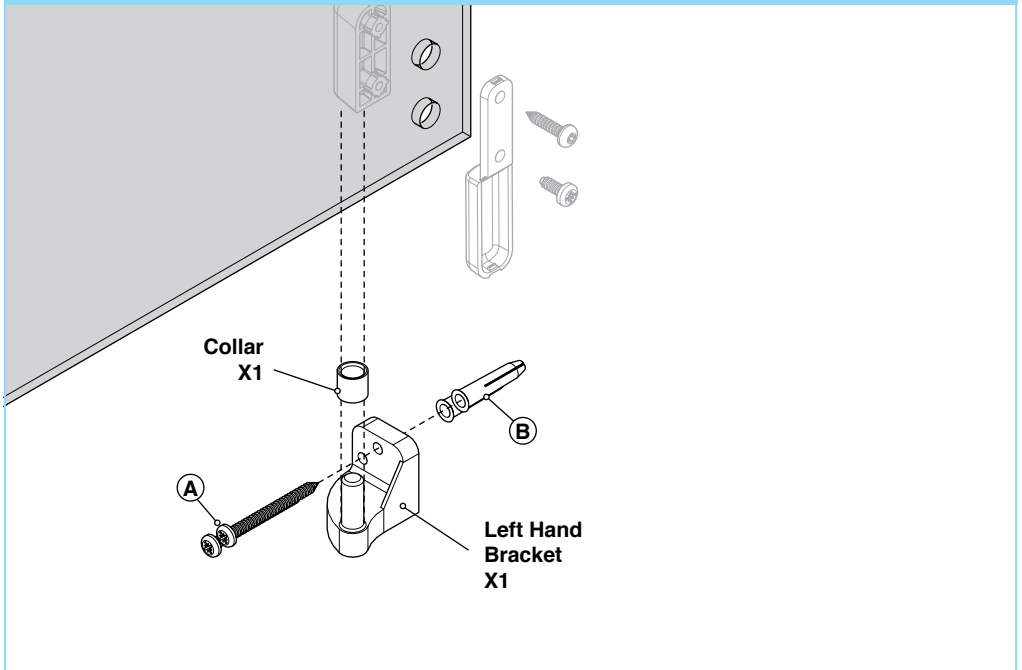
Keep small parts away from children



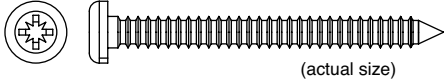
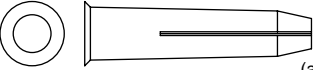
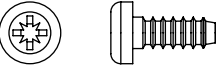
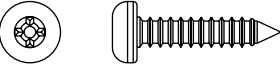
# D1



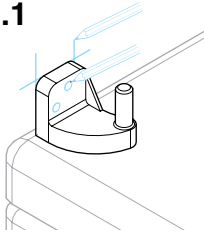
# D2



# Loose Screws & Fittings Supplied

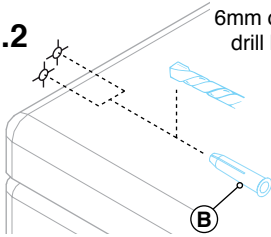
<p><b>A</b></p>	<p>No.8 x 1¼" Pan Head Pozi Screws</p>	 <p>(actual size)</p>	<p>Qty <b>x4</b></p>
<p><b>B</b></p>	<p>Wall Plugs</p>	 <p>(actual size)</p>	<p>Qty <b>x4</b></p>
<p><b>C</b></p>	<p>No.8 x 11mm Pan Head Pozi Screws</p>	 <p>(actual size)</p>	<p>Qty <b>x2</b></p>
<p><b>D</b></p>	<p>No.8 x ¾" Pan Head Pozi Screws</p>	 <p>(actual size)</p>	<p>Qty <b>x2</b></p>

1.1



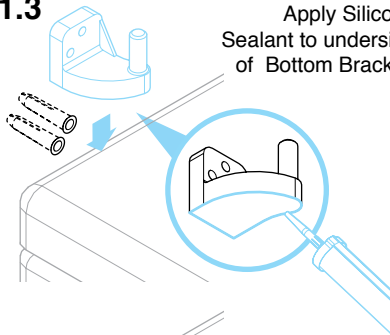
Mark position of holes in (Left/ Right Hand) Bottom Bracket. Observe correct orientation of the pin feature.

1.2



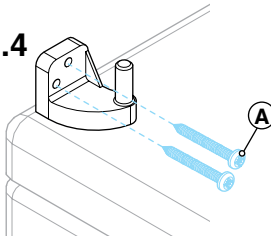
6mm dia. holes with drill bit suitable for wall surface.

1.3

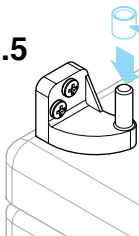


Apply Silicone Sealant to underside of Bottom Bracket.

1.4



1.5



Position Collar onto the Bottom Moulding.



Wall plugs supplied are for solid walls only. Ensure correct wall plug for wall type is used. If in doubt seek professional advice.

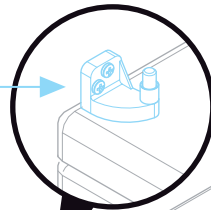


Tip: When drilling tiles apply masking tape to surface to stop drill bit slipping.



Ensure Collar is applied to the Bottom Moulding to space Bath Screen off bath.

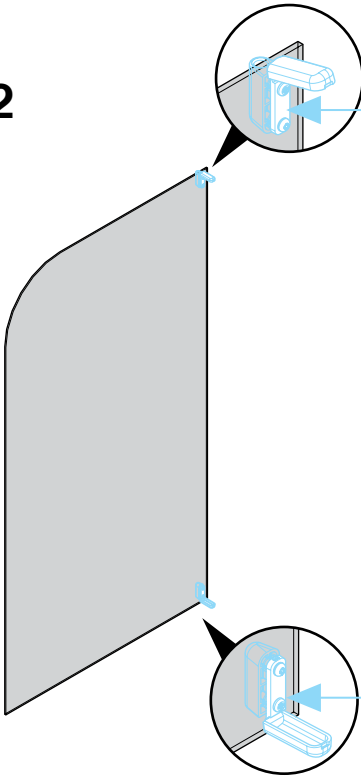
1



Ensure correct handed Bracket is used to suit handing of Bath Screen.

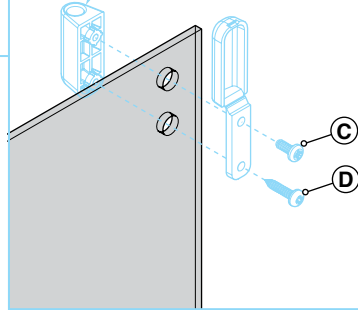
Inside View

2



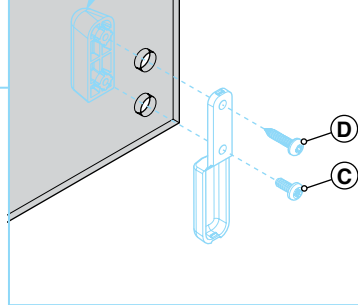
Inside View

Ensure Hinge Holder is on the OUTSIDE FACE.



Inside View

Ensure Hinge Holder is on the OUTSIDE FACE.



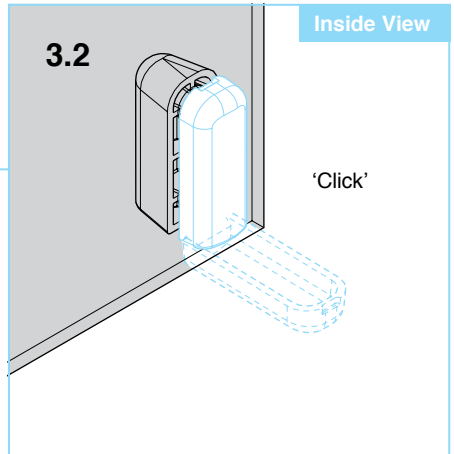
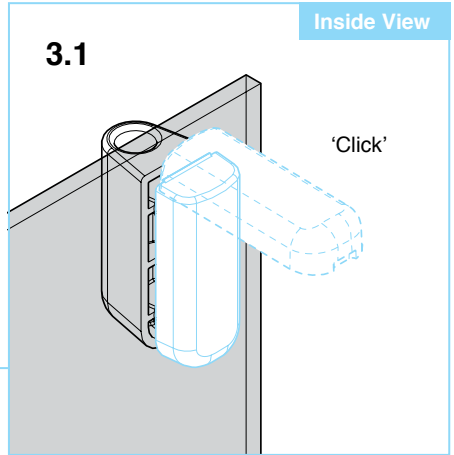
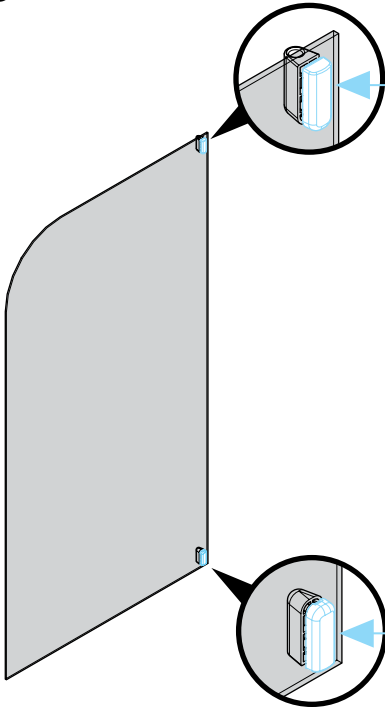
**IMPORTANT NOTE:**  
Ensure correct screws are used.



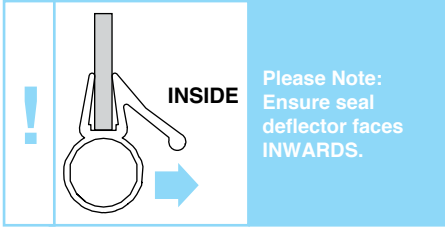
Ensure correct Bath Screen Assembly orientation to suit required handing.  
Hinge Holder must be positioned onto the OUTSIDE face of the Bath Screen Assembly.

Inside View

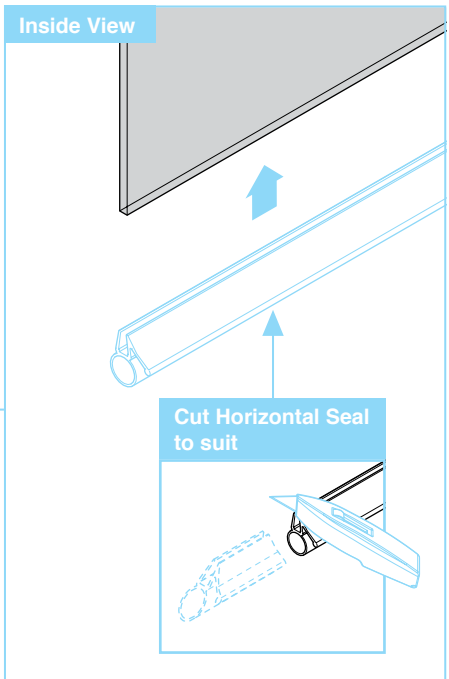
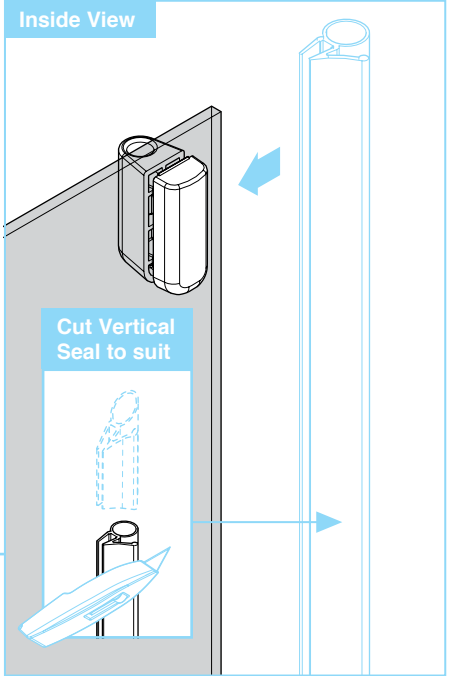
3





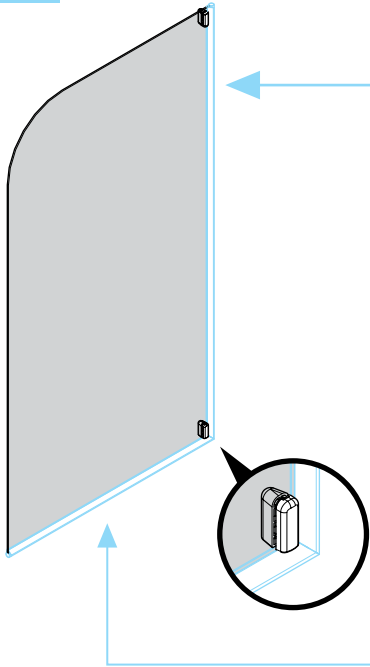


**IMPORTANT NOTE:**  
Prior to cutting, ensure both Horizontal and Vertical Seals are correctly positioned, mitre joint as shown, adjust to suit.



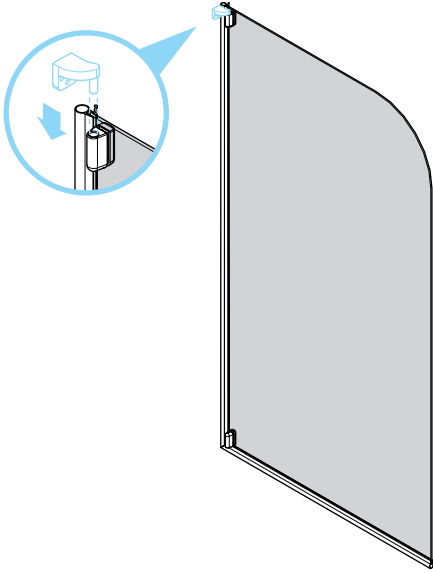
Inside View

4

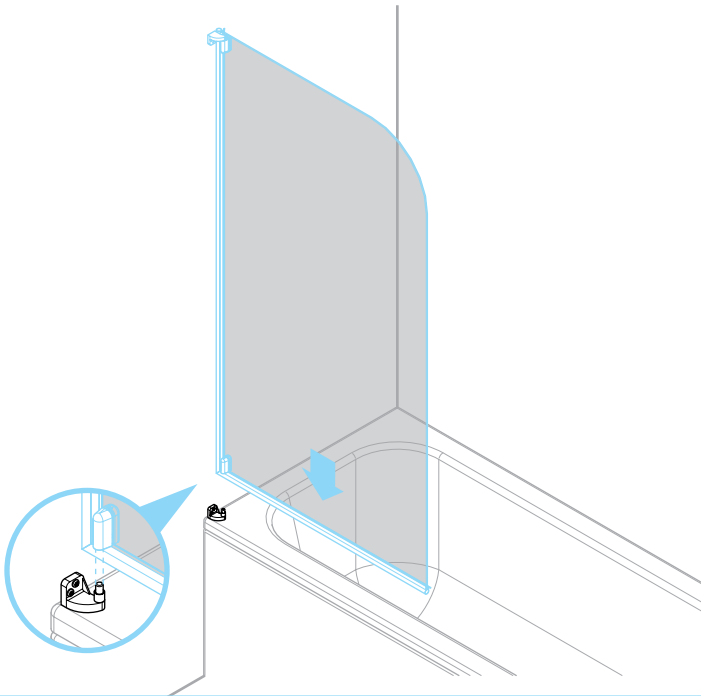


\* **Tip:**  
To Push fit Horizontal and Vertical Seals start in the bottom corner and work across the Bath Screen Assembly.

5

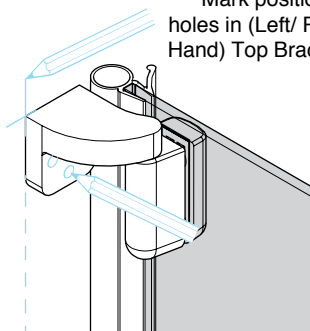


6



7.1

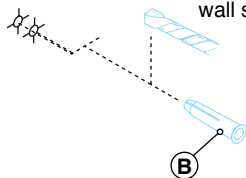
Mark position of holes in (Left/ Right Hand) Top Bracket.



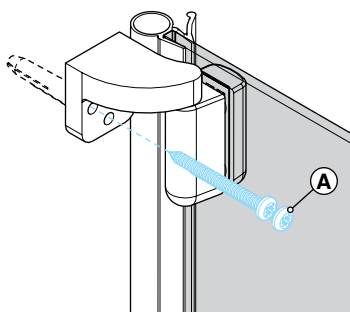
**IMPORTANT NOTE:**  
Prior to marking Top Bracket position, ensure Top and Bottom Brackets line up level and straight.

7.2

6mm dia. holes with drill bit suitable for wall surface.



7.3

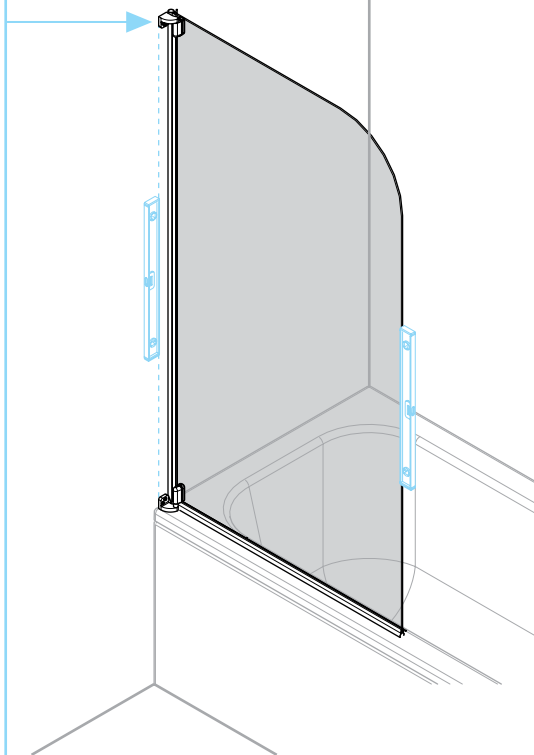


**IMPORTANT NOTE:**  
Ensure Top and Bottom Brackets line up level and straight.

7



Ensure Glass Screen is level.



Wall plugs supplied are for solid walls only. Ensure correct wall plug for wall type is used. If in doubt seek professional advice.



Tip: When drilling tiles apply masking tape to surface to stop drill bit slipping.

Notes: