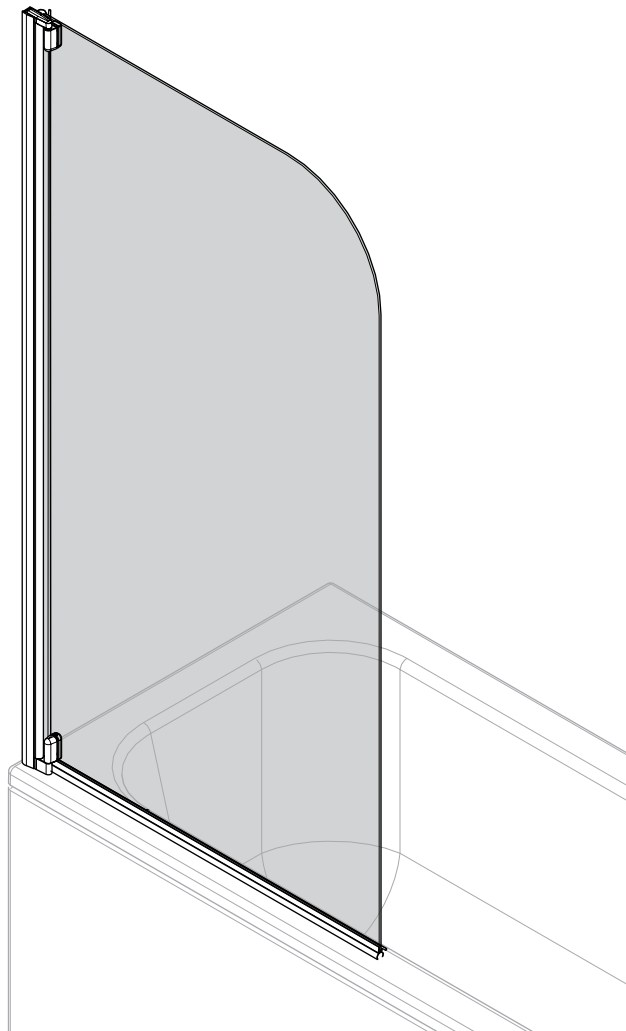


IN00362 (rev D)

Half Framed Bath Screen

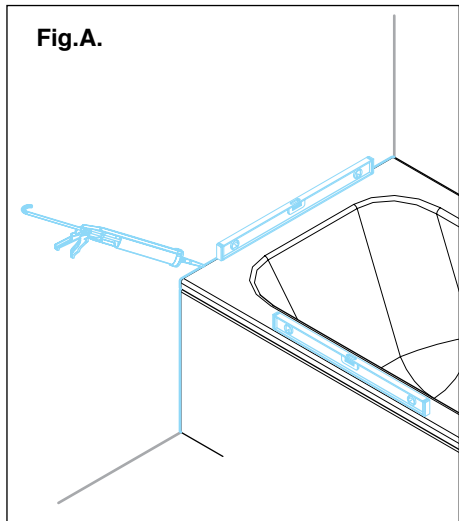
- Instruction suitable for both Right and Left Hand Fixing
- Instruction suitable for Square, Sail, Oval and Radius Variants
- This product is designed to open outwards.



Before You Start

- Check that the bath has been installed correctly and that it is level (Fig. A), tiled down onto and sealed to the manufacturer's guidelines. **Please Note:** All product supplied without bath.
- Check that there is sufficient space on the bath for the product and that the screen movement does not foul other items such as sinks and taps.
- **Please Note:** This product is outward opening only.
- Ensure the product is fitted to a non-porous surface ie. tiled. Check that the wall surface is flat.
- Unpack and check the product is complete and undamaged.
- Fixings are supplied for solid walls only. Ensure that the correct fixings are used for the wall type – if in doubt seek professional advice
- Ensure the area is clean, dry and dust free.
- Read the instructions in full.
- Have the correct tools available, (as shown below, see 'Tools Required').

Fig.A.




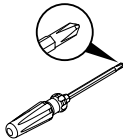
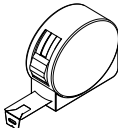
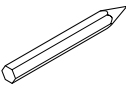
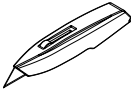
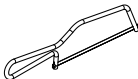
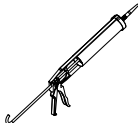
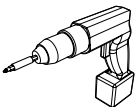
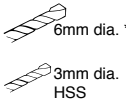
Safety

- Handle all glass with care - support on cardboard to avoid risk of breakage.
- This product is heavy and requires 2 people to carry and install it.
- When drilling walls check first for hidden pipes and cables.
- All glass is toughened – it cannot be reworked or replaced by ordinary glass.
- Use safety eyewear when drilling.
- Use safety eyewear when handling glass.
- Keep all small parts away from children.

Disclaimer

- Please notify the retailer immediately of any damage or faults. The manufacturer cannot be held responsible for any installation costs that may arise from damaged or faulty product being installed.
- Please dispose of all packaging with due regard to the environment.

Tools Required (not supplied)

<p>Spirit Level</p> 	<p>Screwdriver</p> 	<p>Tape Measure</p> 	<p>Pencil</p> 	<p>Utility Knife</p> 
<p>Junior Hacksaw</p> 	<p>Silicone Gun & Sealant</p> 	<p>Power Drill</p> 	<p>Suitable Drill Bits</p>  <p>6mm dia. *</p> <p>3mm dia. HSS</p>	<p>* Ensure drill bit used is suitable for wall surface</p>



Help Line: 0870 241 6131

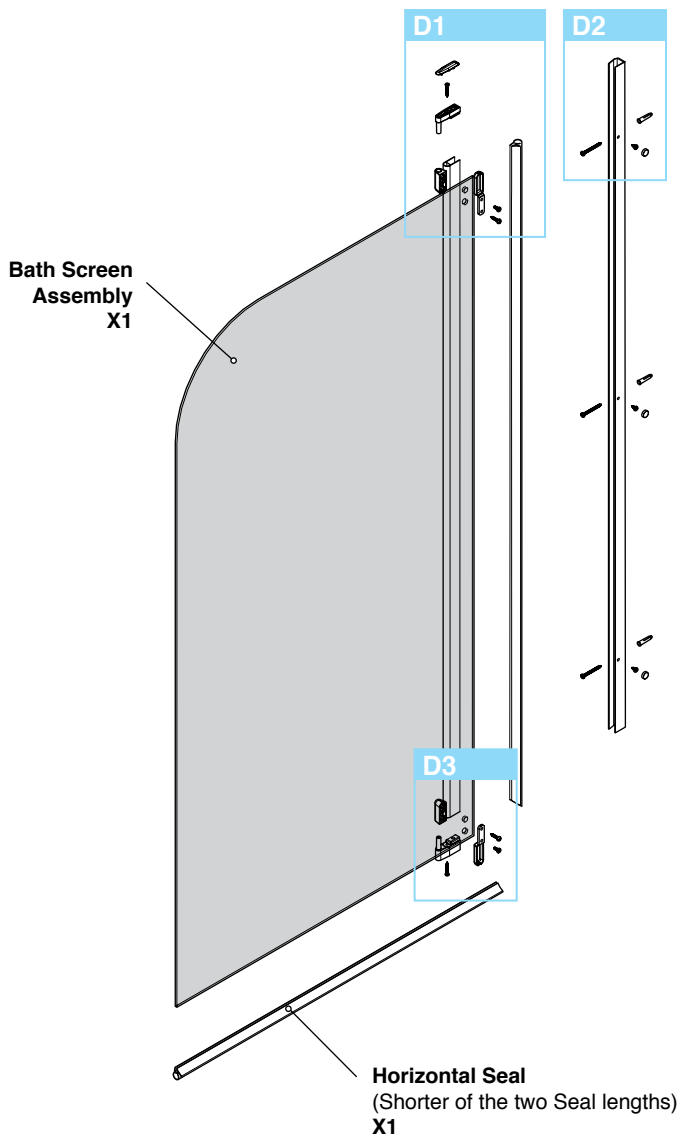
Lines open: 8.30am - 5.00pm Monday to Friday
Standard National call charge rate from BT landlines

Parts & Fittings Supplied

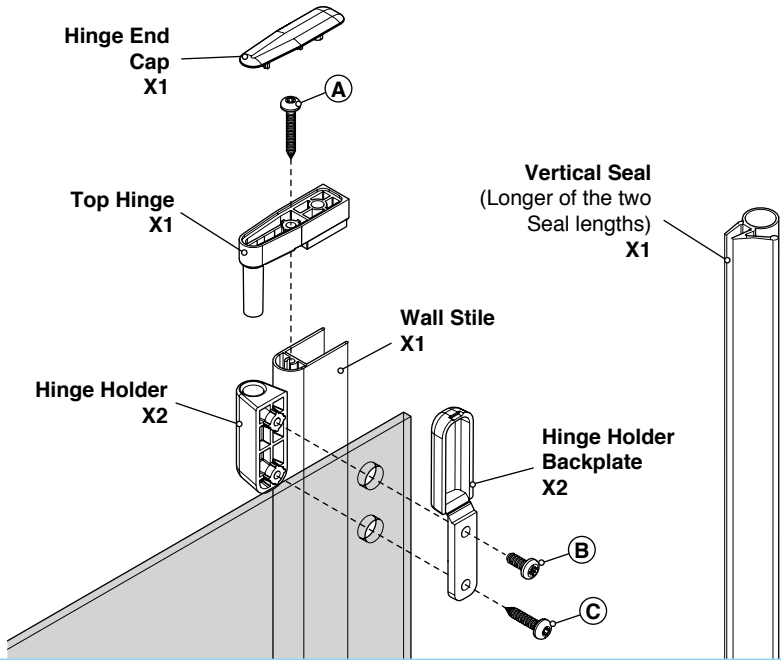
Please notify the retailer immediately of any damage or faults. The manufacturer cannot be held responsible for any installation costs that may arise from a damaged or faulty product being installed.



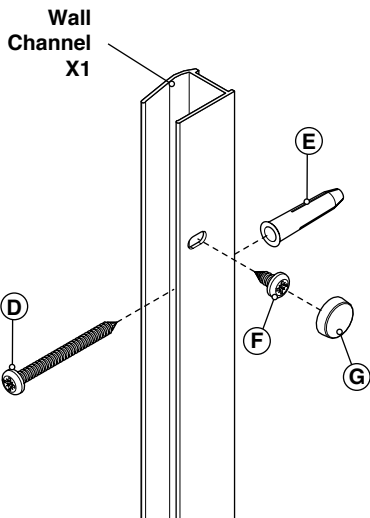
Keep small parts away from children



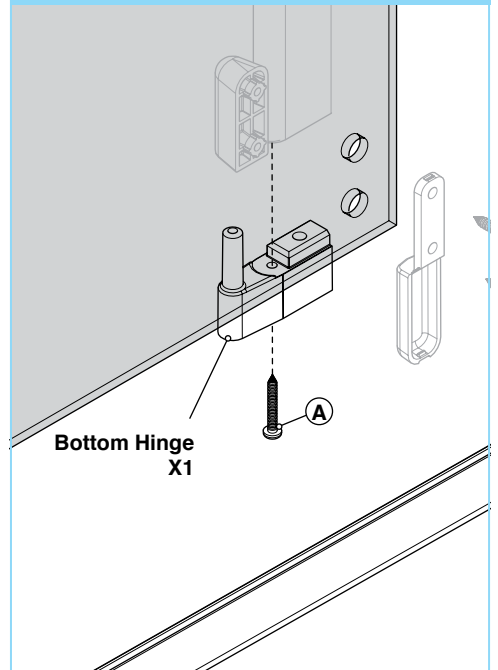
D1



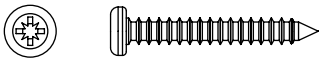


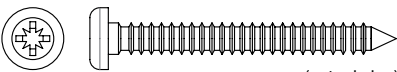



D2



D3

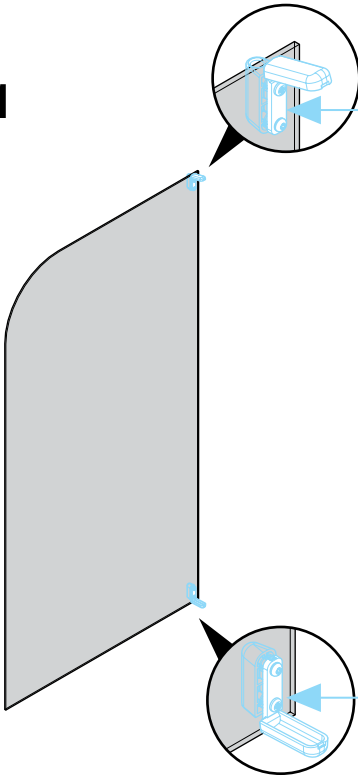


Loose Screws & Fittings Supplied

(A)	No.6 x 1" Pan Head Pozi Screws	 (actual size)	Qty
			x2
(B)	No.8 x 11mm Pan Head Pozi Screws	 (actual size)	Qty
			x2
(C)	No.8 x 3/4" Pan Head Pozi Screws	 (actual size)	Qty
			x2
(D)	No.8 x 1 1/2" Pan Head Pozi Screws	 (actual size)	Qty
			x3
(E)	Wall Plugs	 (actual size)	Qty
			x3
(F)	No.8 x 3/8" Pan Head Pozi Screws	 (actual size)	Qty
			x3
(G)	Screw Cover Caps	 (actual size)	Qty
			x3

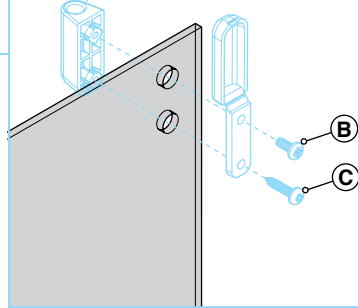
Inside View

1



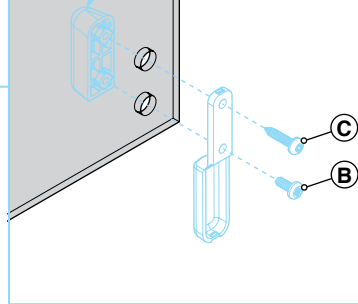
Inside View

Ensure Hinge Holder is on the OUTSIDE FACE.



Inside View

Ensure Hinge Holder is on the OUTSIDE FACE.



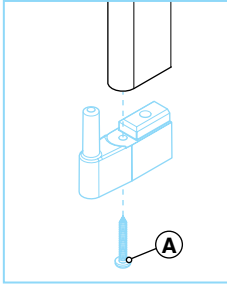
IMPORTANT NOTE:
Ensure correct screws are used.



Ensure correct Bath Screen Assembly orientation to suit required handing.
Hinge Holder must be positioned onto the OUTSIDE face of the Bath Screen Assembly.

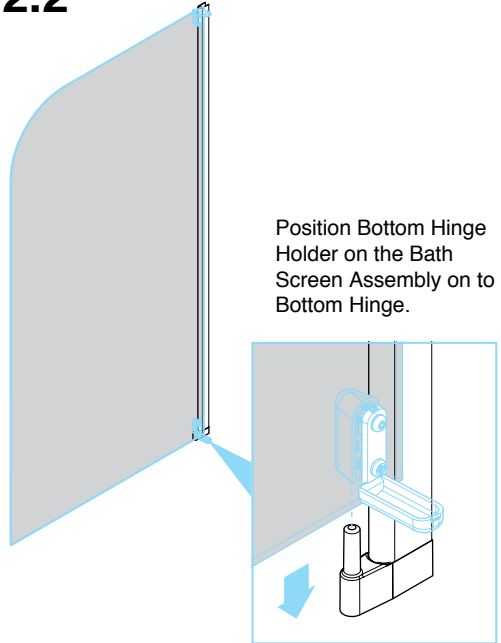
2.1

Fix Bottom Hinge to Wall Stile.



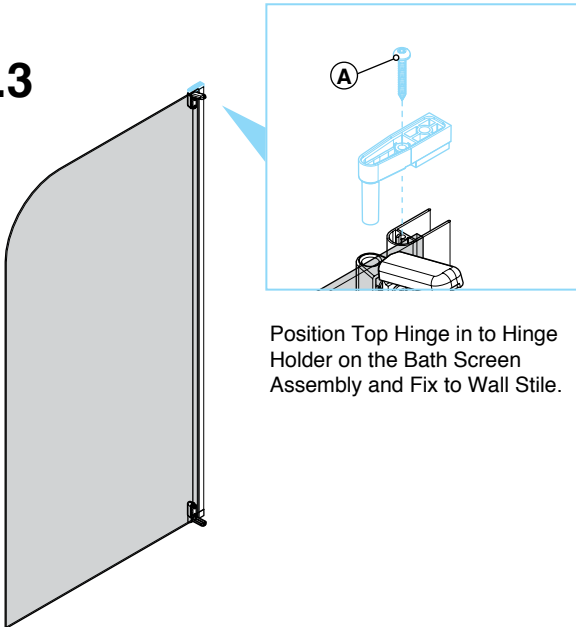
2.2

Position Bottom Hinge Holder on the Bath Screen Assembly on to Bottom Hinge.



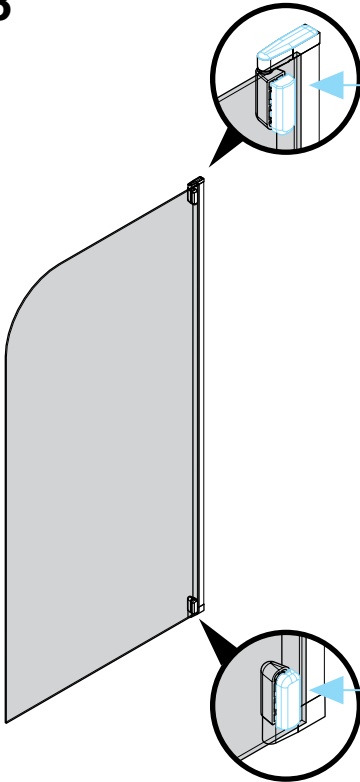
2.3

Position Top Hinge in to Hinge Holder on the Bath Screen Assembly and Fix to Wall Stile.



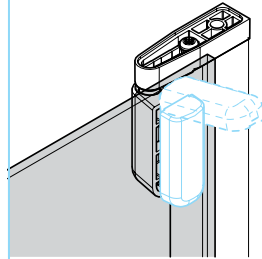
Inside View

3



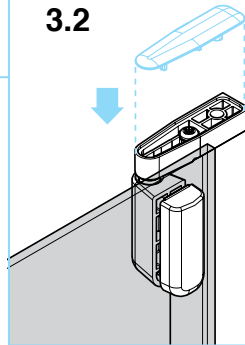
Inside View

3.1



'Click'

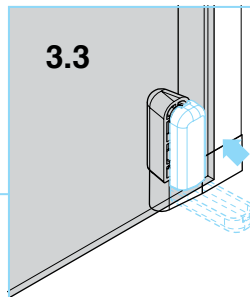
3.2



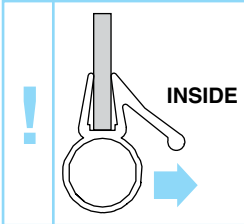
'Click'

Inside View

3.3



'Click'



INSIDE

Please Note:
Ensure seal
deflector faces
INWARDS.

IMPORTANT NOTE:
Prior to cutting, ensure both
Horizontal and Vertical Seals are
correctly positioned, mitre joint as
shown, adjust to suit.

Inside View

* Rotate Bath Screen into open position in order to gain suitable access for Vertical Seal fixing.

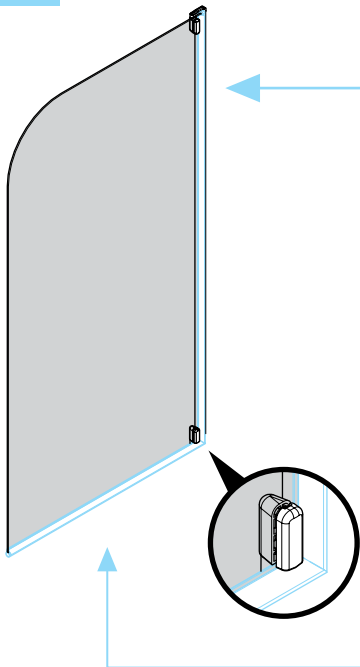
Cut Vertical Seal to suit

Inside View

Cut Horizontal Seal to suit

Inside View

4



* **Tip:**
To Push fit Horizontal and Vertical
Seals start in the bottom corner
and work across the Bath Screen
Assembly.



Tip:
When drilling tiles apply masking tape to surface to stop drill bit slipping.

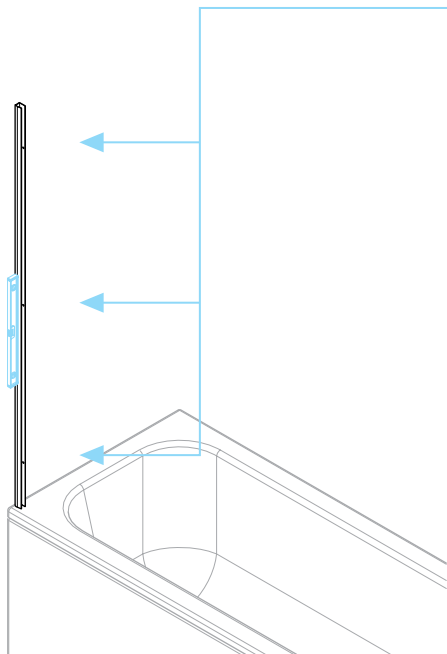


Wall plugs supplied are for solid walls only. Ensure correct wall plug for wall type is used. If in doubt seek professional advice.

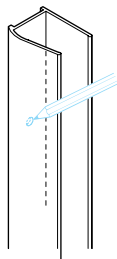


Position wall channel on wall. Ensure channel is vertically level and does not overhang the bath.

5

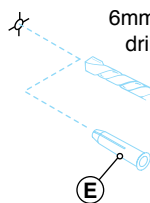


5.1



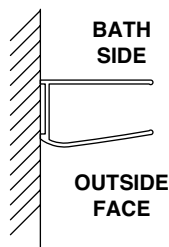
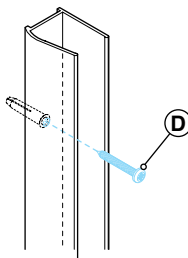
Mark position
pre-drilled Wall
Channel holes

5.2



6mm dia. holes with
drill bit suitable for
wall surface

5.3



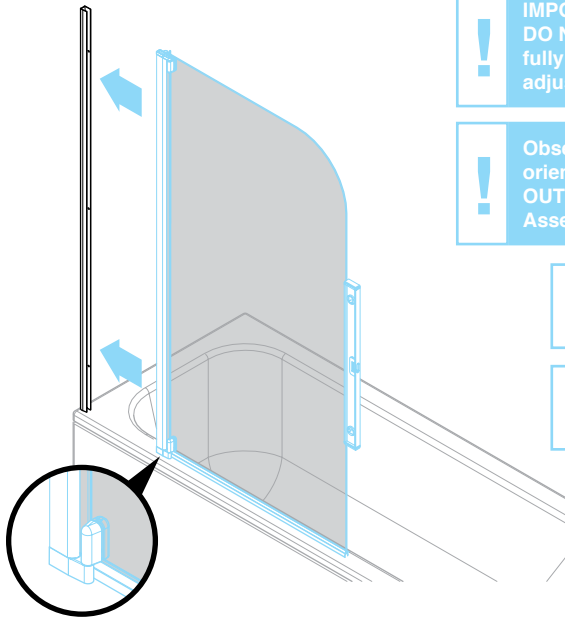
**BATH
SIDE**

**OUTSIDE
FACE**

Please Note:

Position Wall
Channel with
curved side
facing away
from bath.

6



IMPORTANT NOTE:
DO NOT Push Bath Screen Assembly fully in to Wall Channel to ensure adjustment when fixing.



Observe correct Bath Screen orientation with Hinge Holder on the **OUTSIDE** face of the Bath Screen Assembly.



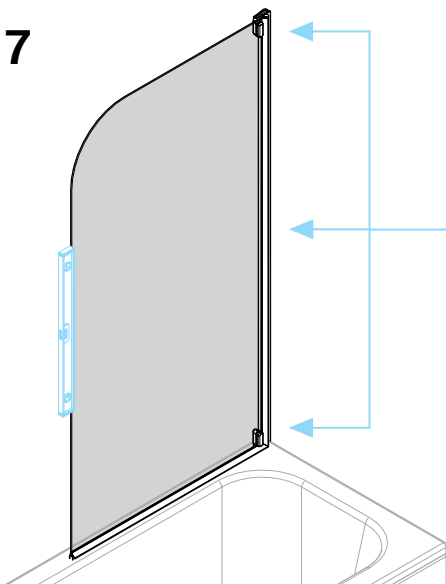
Ensure compression of Horizontal seal on the Bath.



Ensure Bath screen is level at this stage.

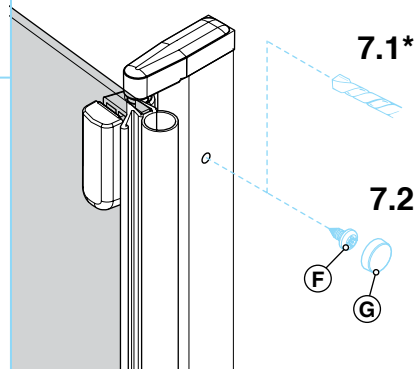
Inside View

7



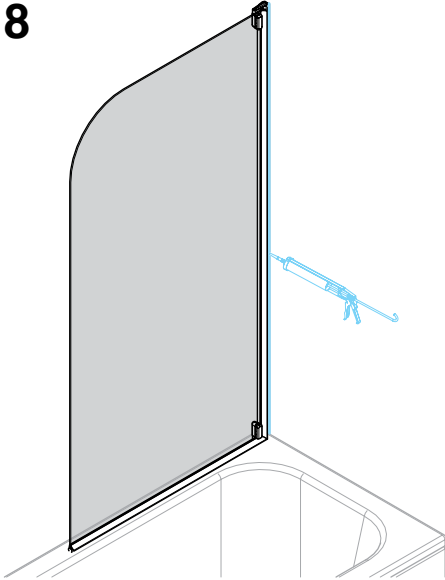
Inside View

* 3mm dia. holes through pre-drilled wall channel holes using HSS drill bit.



Ensure Bath Screen Assembly is level prior to fixing, adjust to suit.

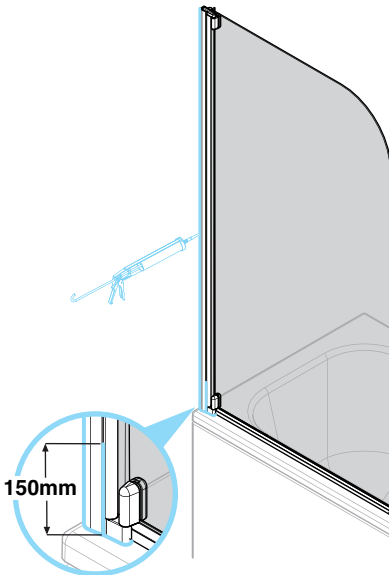
8



! Apply Silicone Sealant, (not supplied).

! Apply Silicone Sealant vertically between Wall Channel and wall only.

9



! Apply Silicone Sealant, (not supplied).

***** Product Care:
Use a non abrasive cleaner.
Water marks may be removed with a proprietary limescale remover or household vinegar.