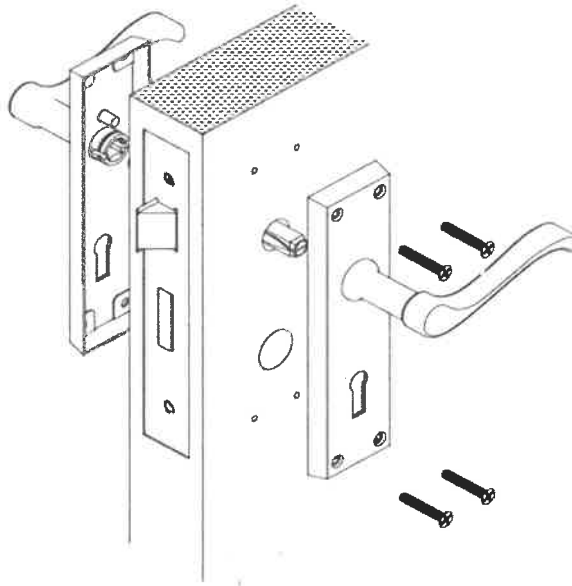




## Lever on Backplate



### FITTING INSTRUCTIONS

1. Measure the backset of the lock/latch and mark the centre using a bradawl/pencil.
2. Using a 20mm diameter bit, drill a hole at the marked location.
3. Insert the spindle into one of the levers, ensuring enough of the spindle is free to pass through the door and to be secured in the opposing lever.
4. Place the spindle through the door so the spindle passes through the latch/lock follower.
5. Mark the door through handle screw holes with a bradawl/pencil.
6. When using wood screws, remove the lever and drill pilot holes for the wood screws to a depth of 5mm using a 2mm diameter drill bit. For using Bolt Through fixings, go to Step 10.
7. Place the lever back onto the door and evenly hand tighten the wood screws.
8. Place the opposing lever on the opposite side of the door, repeating steps 5 and 6.
9. Evenly hand tighten the wood screws and recheck all the fixings are secure. If the levers do not operate freely, check alignment of all components.
10. Unlike surface fix wood screws from one side of the door, bolt through fixings pass from one door handle through the door and connect to the other door handle opposite, securely fastening both the handles in place.  
Remove the Lever and drill a 5mm hole using a 5mm drill bit all the way through the door from one side to the other.
11. Place the lever back onto the door and insert the bolt part of the fixing through the handle all the way through the door.
12. Depending on the thickness of the door you might need to cut down the length of the bolt to best suit the door thickness. Ensure appropriate tool use under professional and Health and Safety guidance to cut the bolt as appropriate.
13. Place the opposing lever on the opposite side of the door and hand tighten the nut part of the bolt through fixing to the bolt already fitted inside the door.
14. Evenly tighten the bolt through screws and check handles are secure.

For lock handles, ensure that the appropriate size hole is drilled in the correct location for the key/cylinder/ bathroom thumbturn.

## **CARE AND MAINTAINANCE**

### **Plated Products**

Plated metal products require minimal maintenance. Deposits may accumulate over time, particularly if installed externally. If these do occur, these should be cleaned with a soft cloth and with non-abrasive metal polish.

Version 1.0 10Y

Kingfisher International Products Ltd. W2 6PX

Kingfisher International Products B.V., 1011 VM

