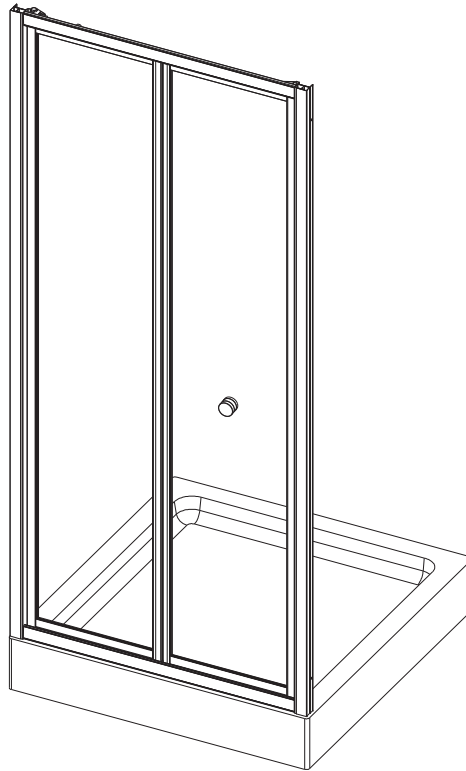


BIFOLD DOOR INSTALLATION GUIDE



Please read these instructions carefully and keep for future reference. Incorrect fitting will invalidate the guarantee

SAFETY

- Handle glass with great care. Although the glass is very tough, sharp impacts can damage both the glass and metal frame.
- Make sure there are no hidden pipes or cables hidden in the wall where you intend to drill.
- Wear safety goggles, shoes and appropriate clothing.

BEFORE INSTALLATION

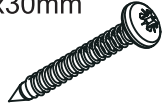
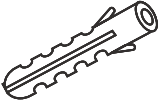

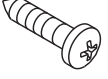
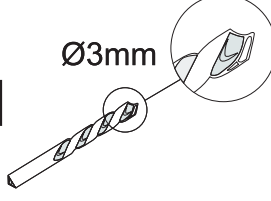
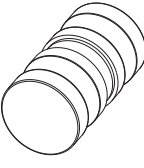
- Check that the shower tray is level in all directions. The enclosure will not sit correctly on an uneven surface. If uneven, the wall channels may not fit and the doors may not shut correctly.
- The enclosure should be fitted on tiled walls which are sealed with waterproof grout.
- There must be a good silicone seal between the rim of the shower tray and the wall.
- The shower tray and the enclosure must match in size. Attempting to fit the incorrect size of enclosure to the shower tray will result in water leaks.
- Always check very carefully that components are vertical.
- To avoid damage, use the opened out packaging to build the enclosure on.

Equipment needed:

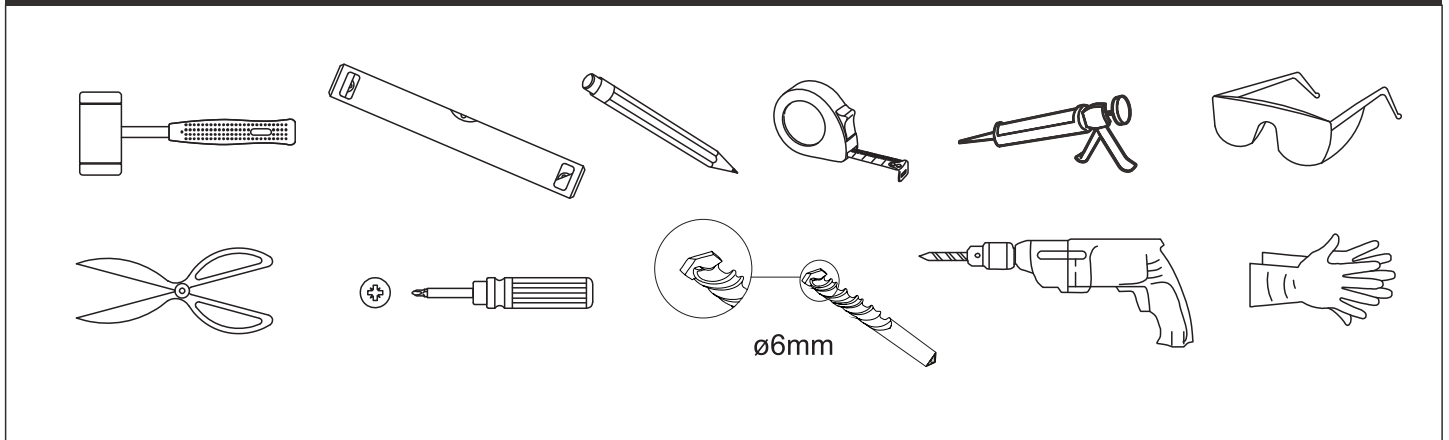
Drill, 6.0mm Masonry Bit, Crosshead PH2 Screwdriver, Spirit Level, Pencil, Tape Measure, Silicone Sealant.

Note: The screws and wall plugs supplied are for masonry walls. For lightweight walls i.e. stud partition, plasterboard etc, use the correct type of fixings.

FIXING KIT COMPONENTS

<p>6</p> <p>4x30mm</p> 	<p>6</p> 	<p>12</p> 
<p>6</p> <p>4x16mm</p> 	<p>1</p> <p>Ø3mm</p> 	<p>1</p> 

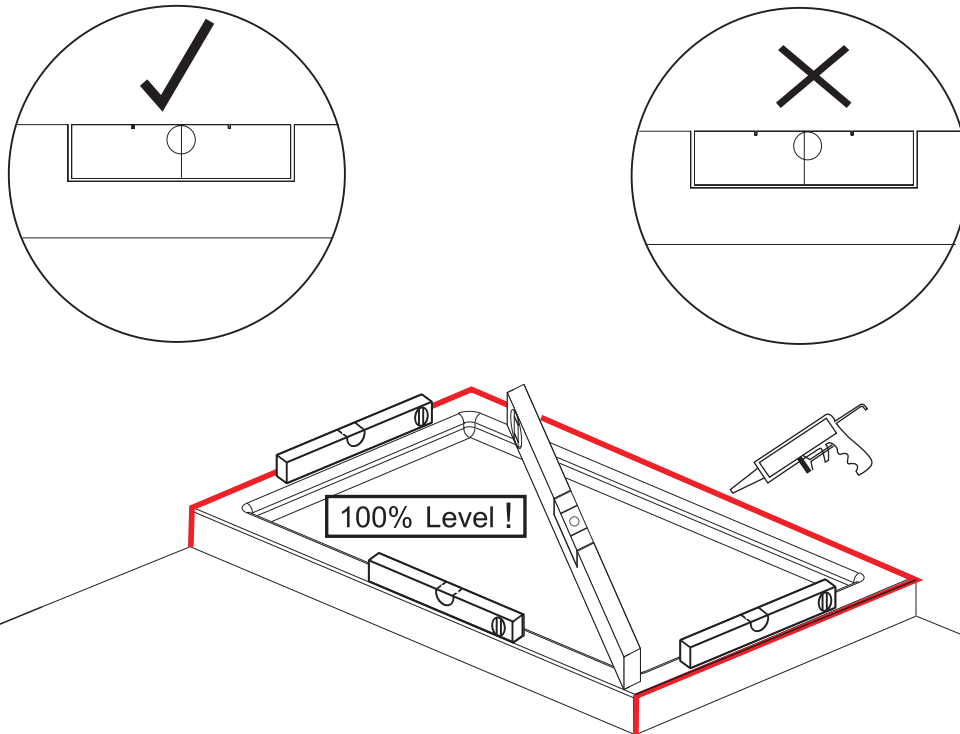
TOOLS REQUIRED



BIFOLD DOOR CODE	DOOR SIZE IN MM	OVERALL ADJUSTMENT IN RECESS MM
TN6570	700	650-690
TN6576	760	710-750
TN6580	800	750-790
TN6590	900	850-890

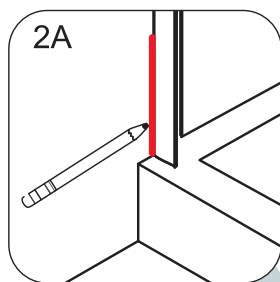
STAGE 1

Please ensure your tray is 100% level in all direction before fitting your enclosure.

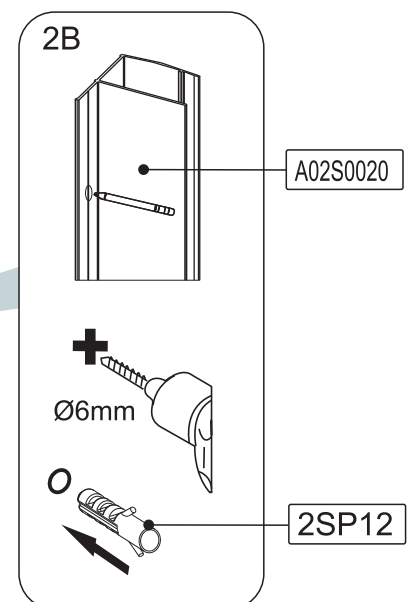
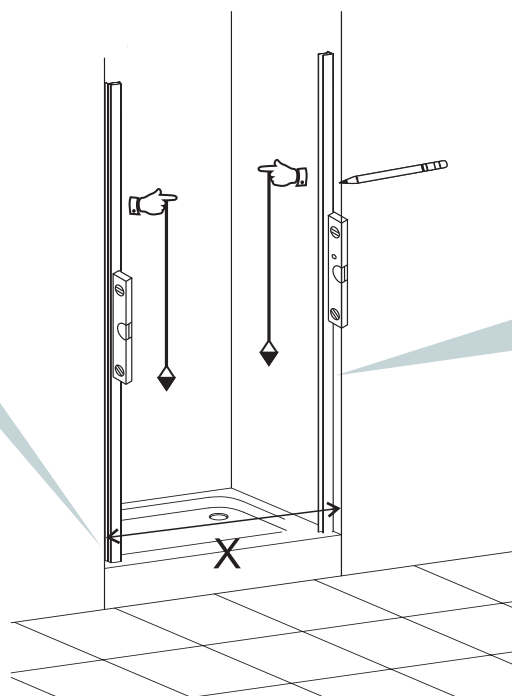


STAGE 2

Determine your step in from the edge of the tray. Measure your X dimension. Measurement must fall within the below table of adjustments marked as X. Plumb your wall profiles and mark the points of fixing.

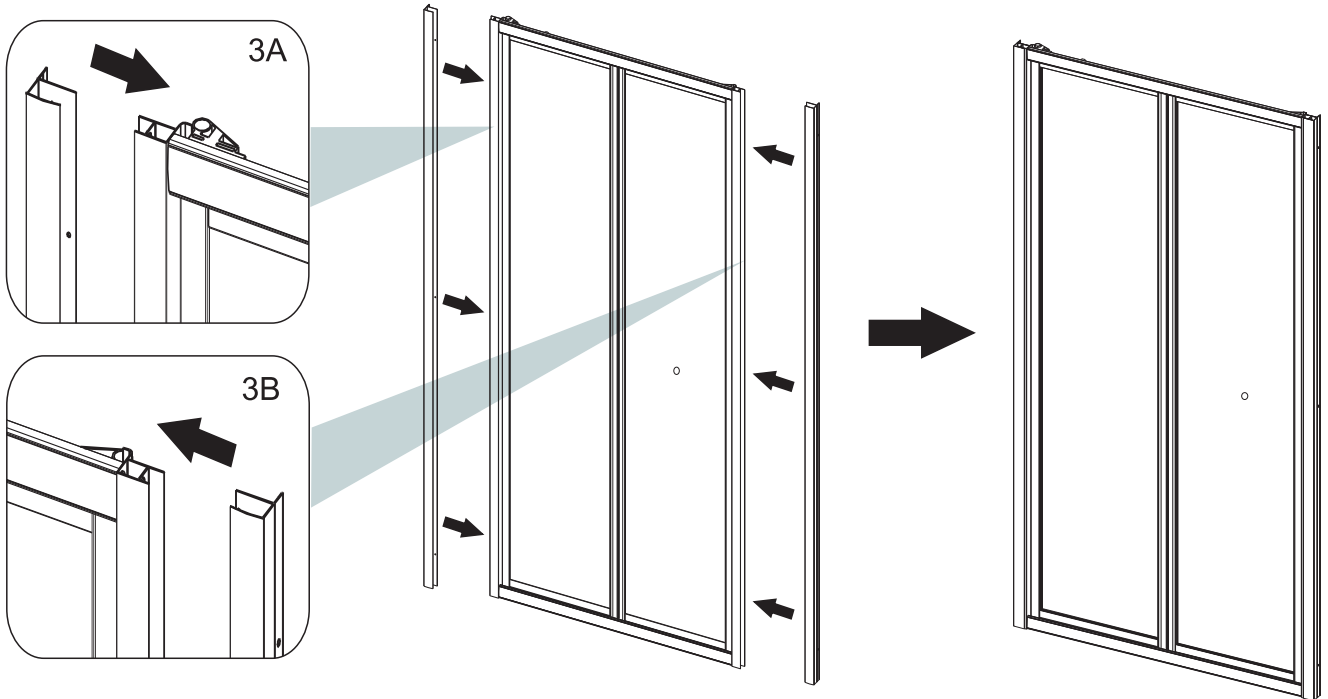


CODE	X
TN6570	650-690
TN6576	710-750
TN6580	750-790
TN6590	850-890



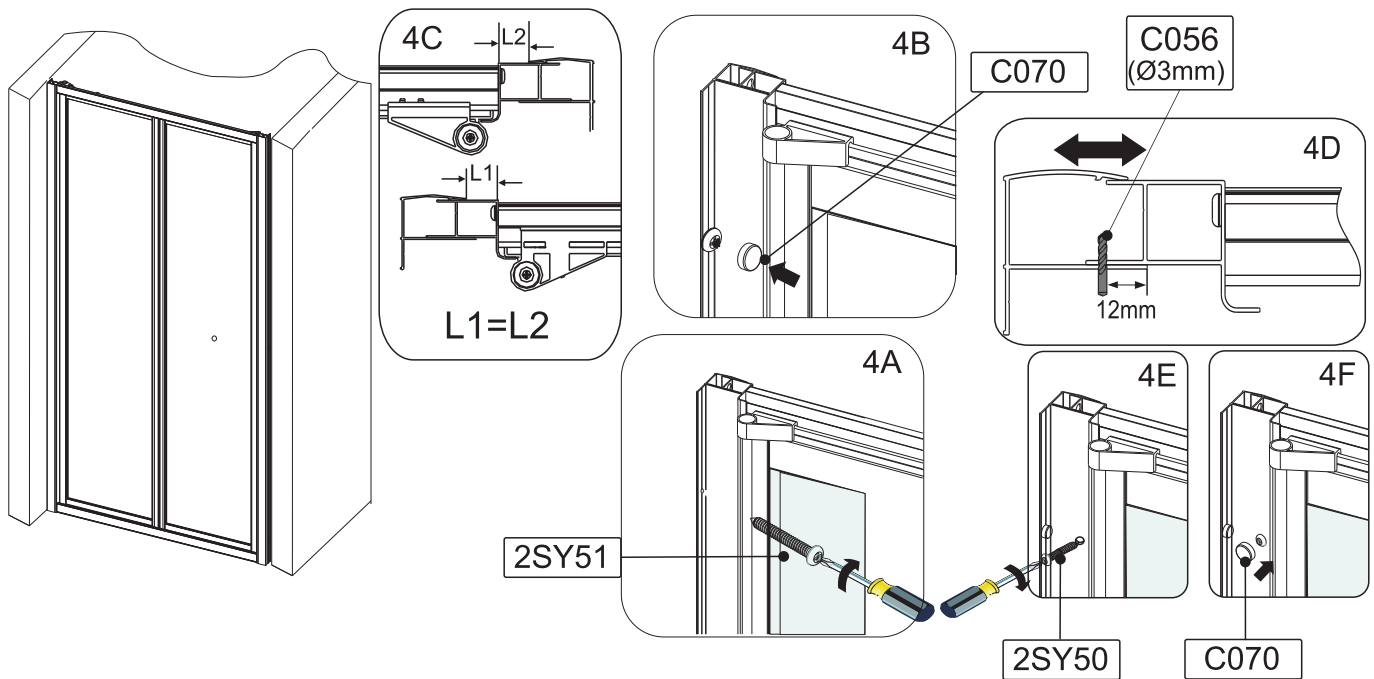
STAGE 3

When fitting a fully framed product into a recess you must push the wall profiles onto the uprights. This is done as fixing the wall profiles first in a tight recess may lead to difficulty later when fitting the door.

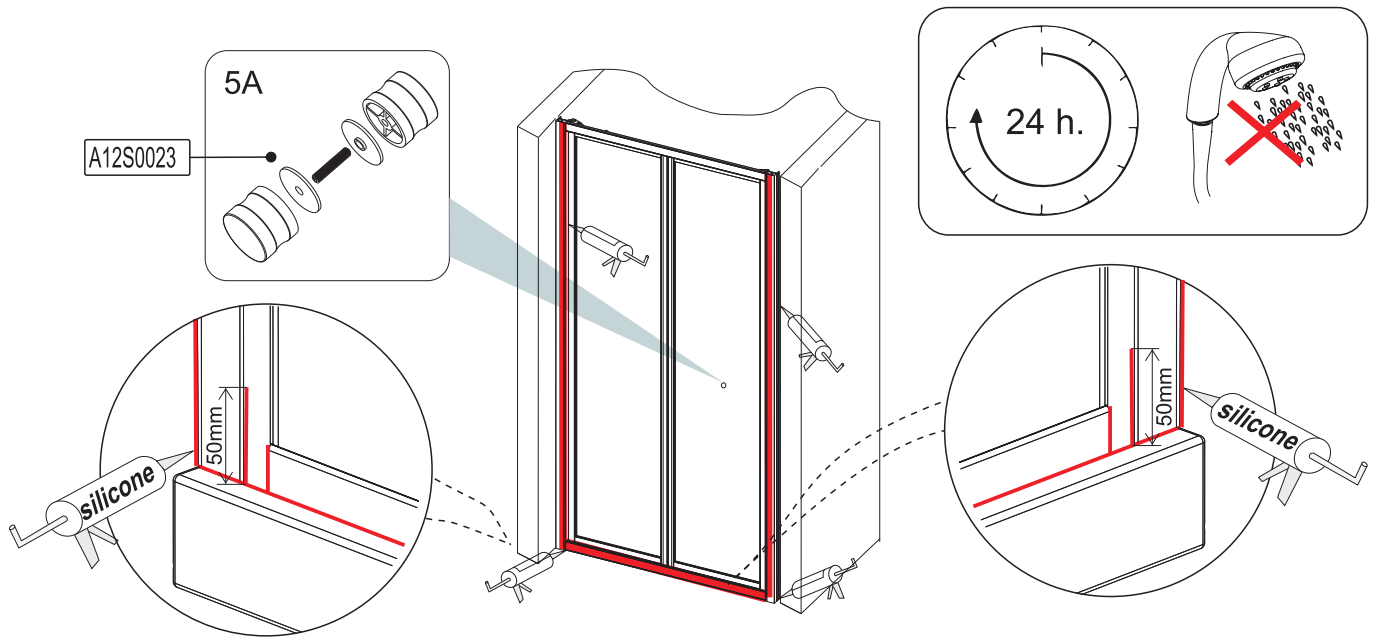


STAGE 4

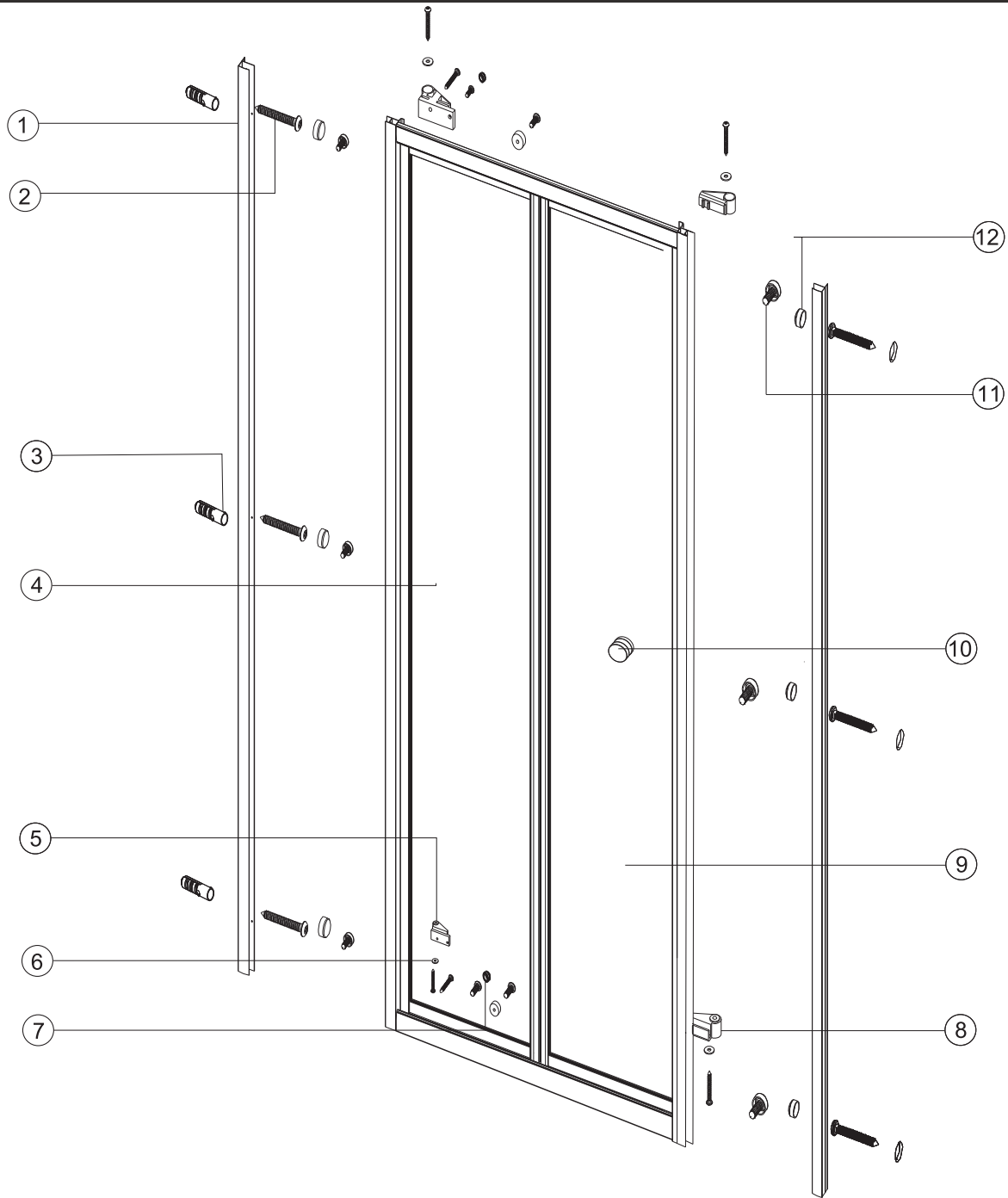
With the enclosure on the tray fix the wall profiles to the walls using the fixing screws provided. Equalise the gaps on either side of the upright profiles and fix as shown.



STAGE 5

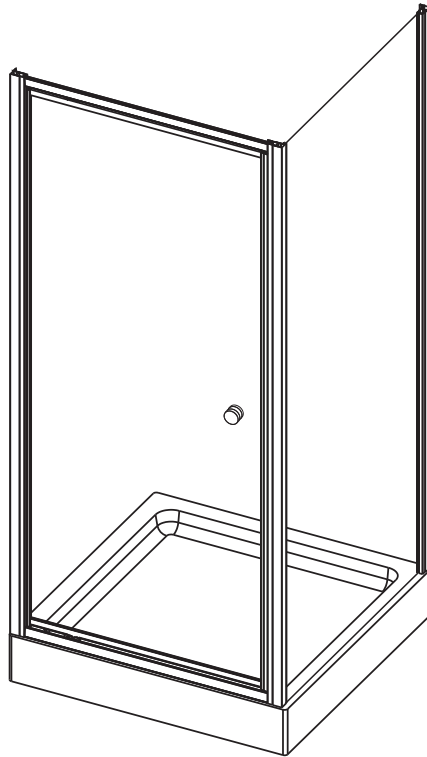


PARTS LIST



Item No.	Part List Description	Part Code	Bifold Door Size Variations			
			700	760	800	900
1	Wall Profile	A02S0020	2	2	2	2
2	Round Screw 4*30	2SY51	6	6	6	6
3	Wall Plug	2SP12	6	6	6	6
4	Moving Glass A	A	1	1	1	1
5	Bifold Holder Left/Right As Shown	2SS020 L/R	2	2	2	2
6	Bifold Steel Gasket	2SQF2&2SQF3	4	4	4	4
7	Bifold Holder Cap	2SS020A	2	2	2	2
8	Bifold Glider Left/Right As Shown	2SS018 L/R	2	2	2	2
9	Moving Glass B	B	1	1	1	1
10	Handle	A12S0023	1	1	1	1
11	Round Screw 4*16	2SY50	6	6	6	6
12	Screw Cover Cap	C070	12	12	12	12

SIDE PANEL INSTALLATION GUIDE



Please read these instructions carefully and keep for future reference. Incorrect fitting will invalidate the guarantee

SAFETY

- Handle glass with great care. Although the glass is very tough, sharp impacts can damage both the glass and metal frame.
- Make sure there are no hidden pipes or cables hidden in the wall where you intend to drill.
- Wear safety goggles, shoes and appropriate clothing.

BEFORE INSTALLATION

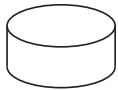
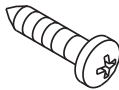
- Check that the shower tray is level in all directions. The enclosure will not sit correctly on an uneven surface. If uneven, the wall channels may not fit and the doors may not shut correctly.
- The enclosure should be fitted on tiled walls which are sealed with waterproof grout.
- There must be a good silicone seal between the rim of the shower tray and the wall.
- The shower tray and the enclosure must match in size. Attempting to fit the incorrect size of enclosure to the shower tray will result in water leaks.
- Always check very carefully that components are vertical.
- To avoid damage, use the opened out packaging to build the enclosure on.

Equipment needed:

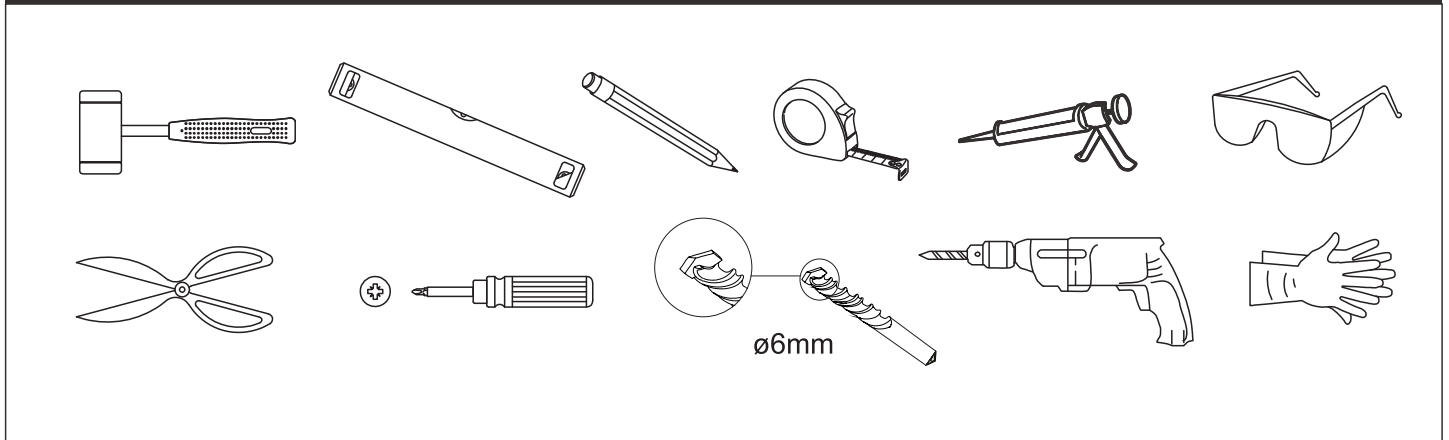
Drill, 6.0mm Masonry Bit, Crosshead PH2 Screwdriver, Spirit Level, Pencil, Tape Measure, Silicone Sealant.

Note: The screws and wall plugs supplied are for masonry walls. For lightweight walls i.e. stud partition, plasterboard etc, use the correct type of fixings.

FIXING KIT COMPONENTS

<p style="font-size: 24pt; margin: 0;">3</p> 	<p style="font-size: 24pt; margin: 0;">3</p> <p style="margin: 0;">4X16mm</p> 
---	--

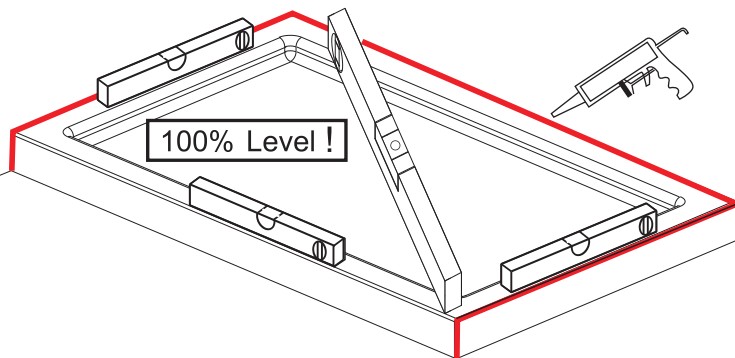
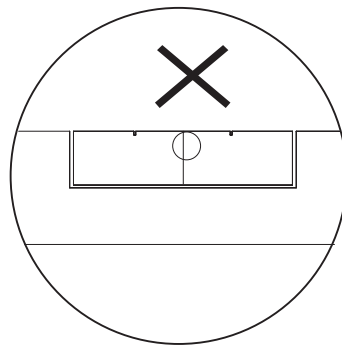
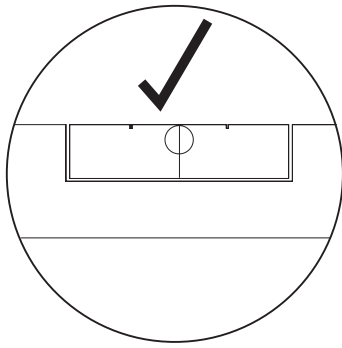
TOOLS REQUIRED



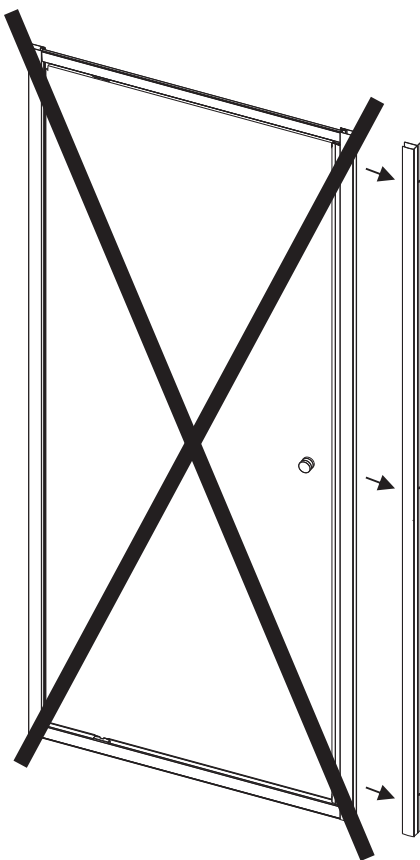
BIFOLD DOOR CODE	DOOR SIZE IN MM	OVERALL ADJUSTMENT IN RECESS MM
TN6476	760	730-750
TN6480	800	770-790
TN6490	900	870-890

STAGE 1

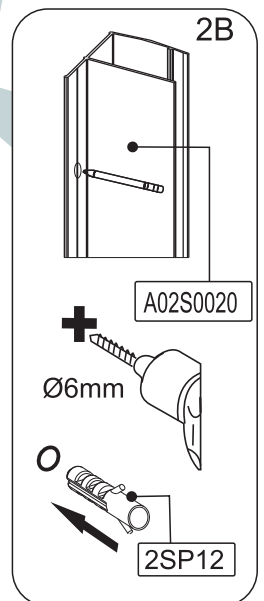
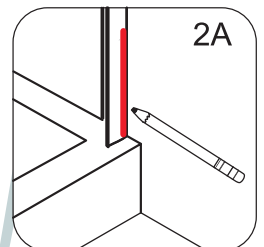
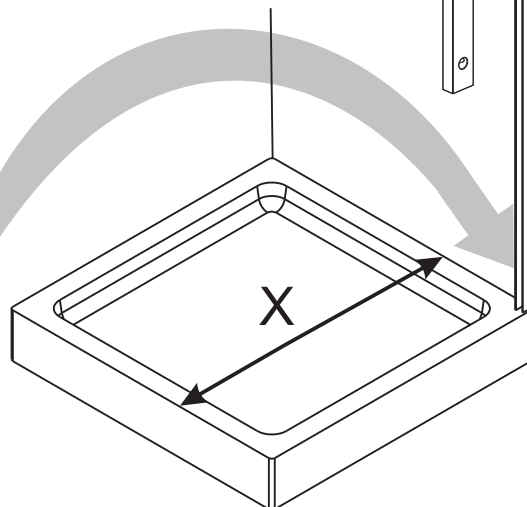
Please ensure your tray is 100% level in all direction before fitting your enclosure.



STAGE 2



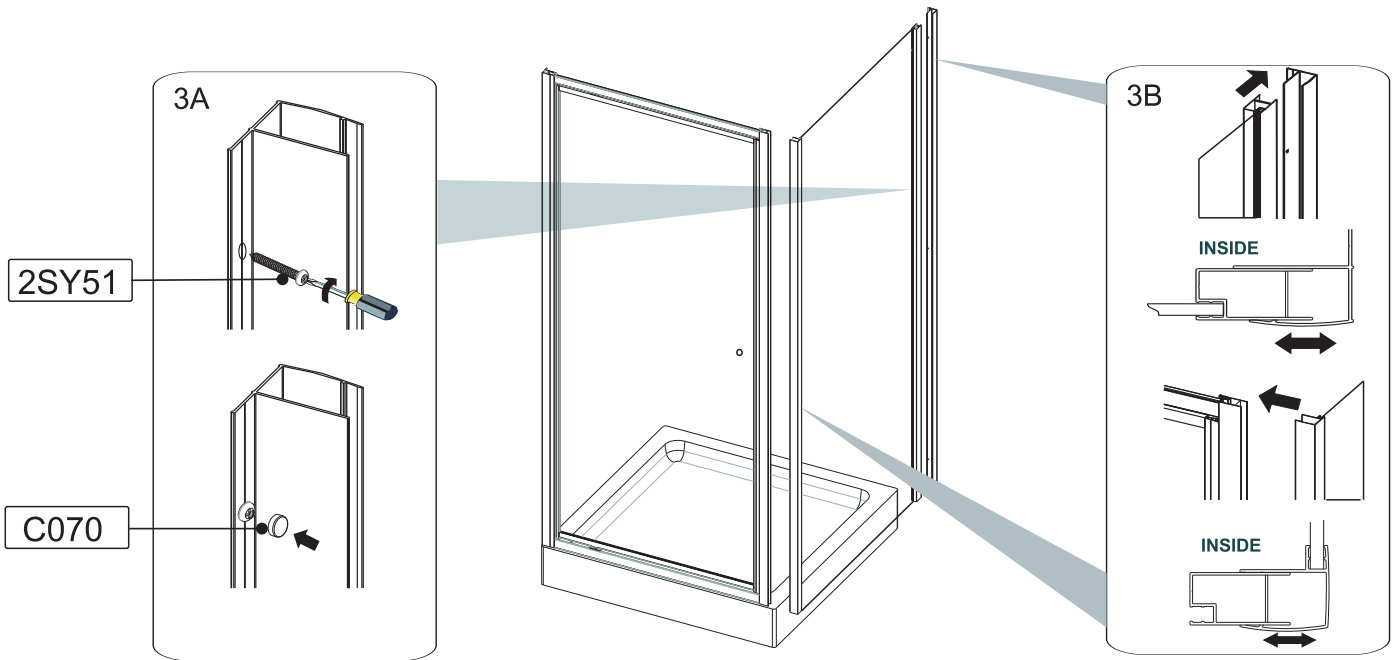
CODE	X
TN6476	730 -750
TN6480	770 -790
TN6490	870 -890



Use wall profile from door

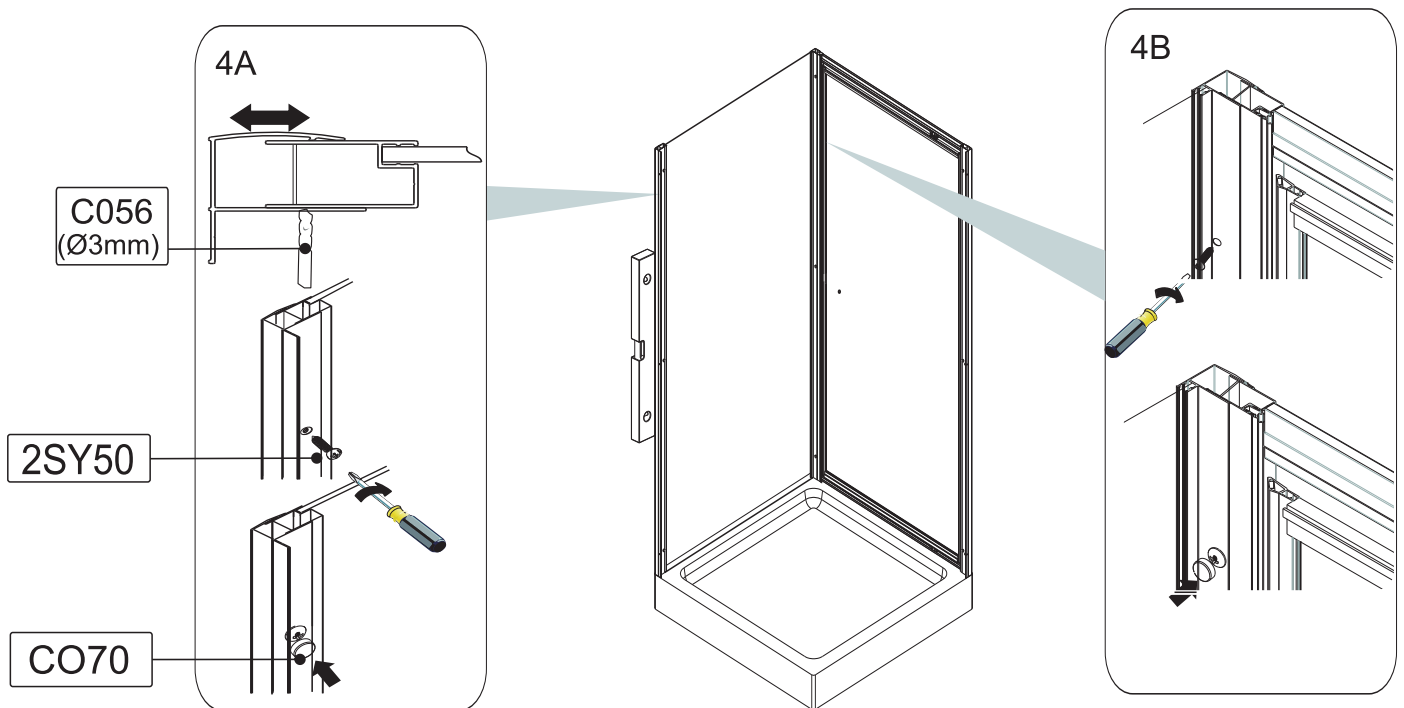
STAGE 3

After your wall profiles have been fixed you can square your side panel on the tray and fix the wall profiles to the upright profiles as shown below.

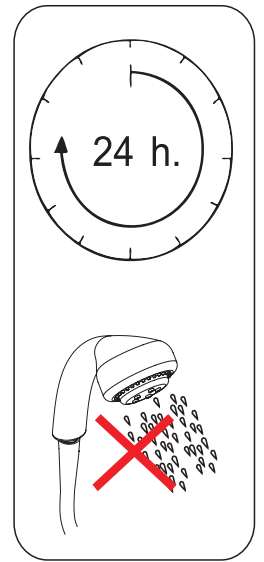
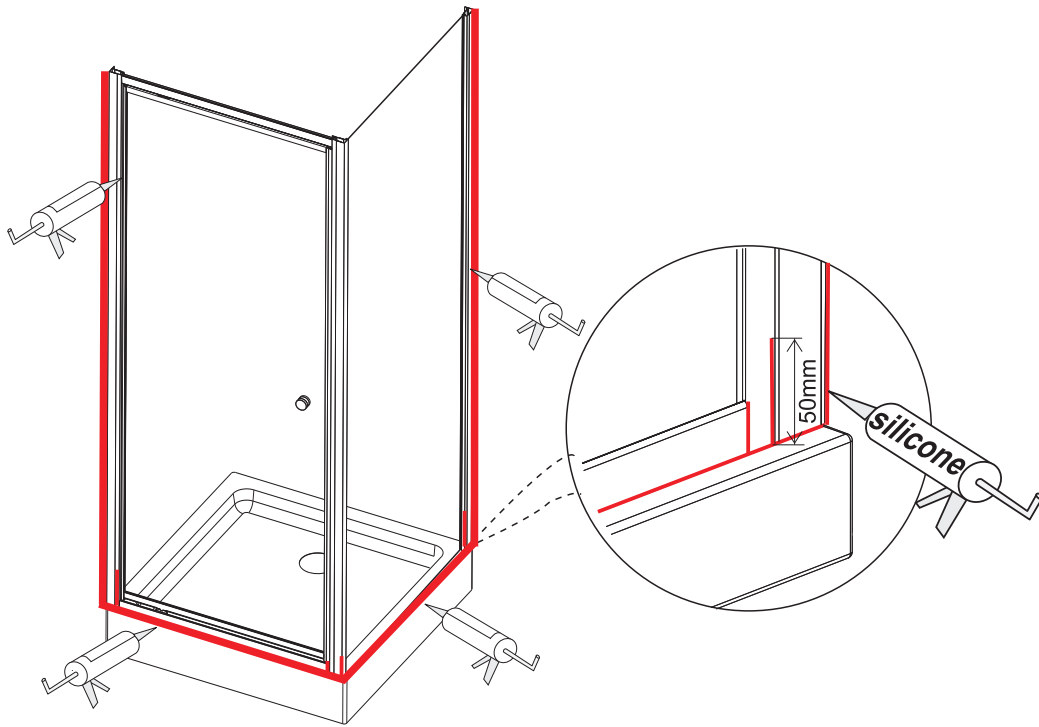


STAGE 4

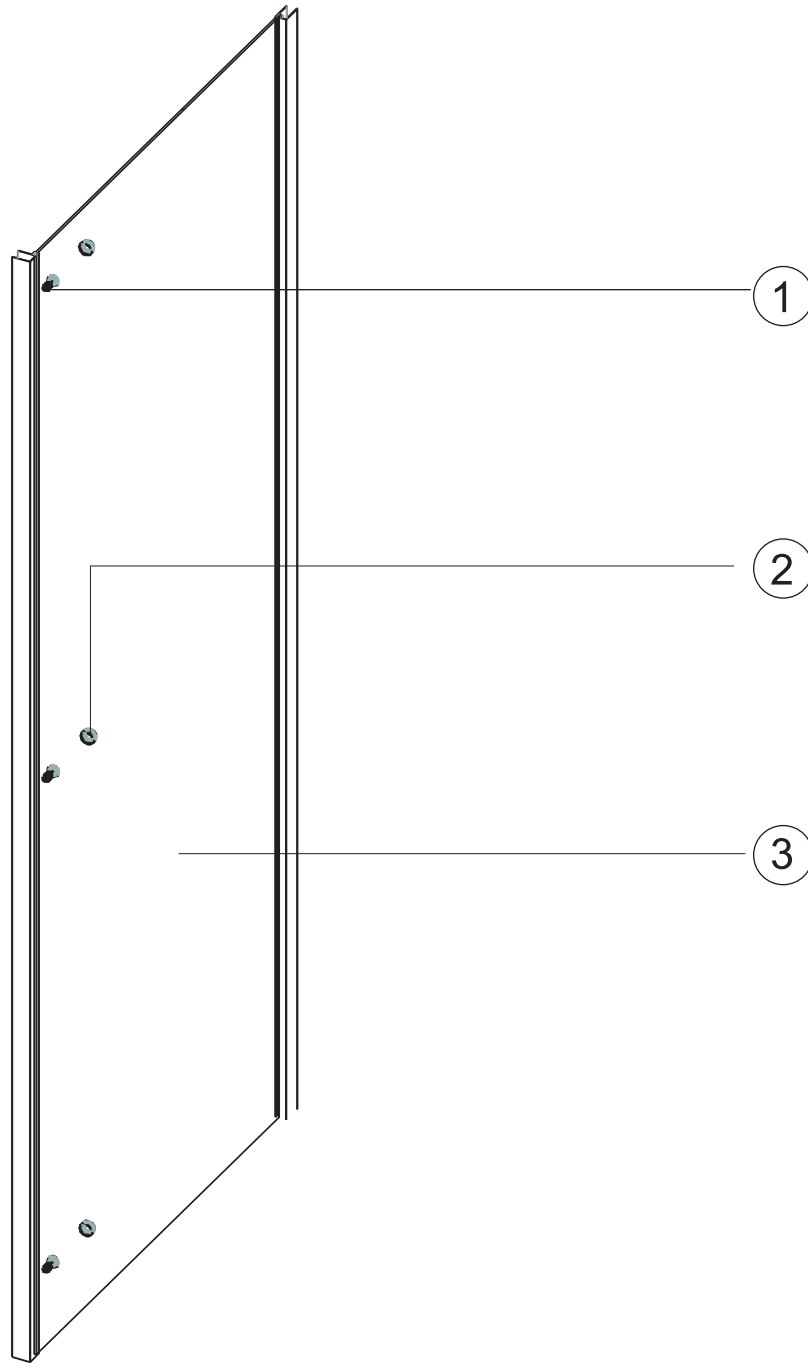
The same process is used to fix the corner post to the upright profile of the enclosure.



STAGE 5



PARTS LIST



Item No.	Part List Description	Part Code	Side panel Size Variations		
			760	800	900
1	Round Screw 4*16	2SY50	3	3	3
2	Screw Cover Cap	C070	3	3	3
3	Fixed Glass A	A	1	1	1