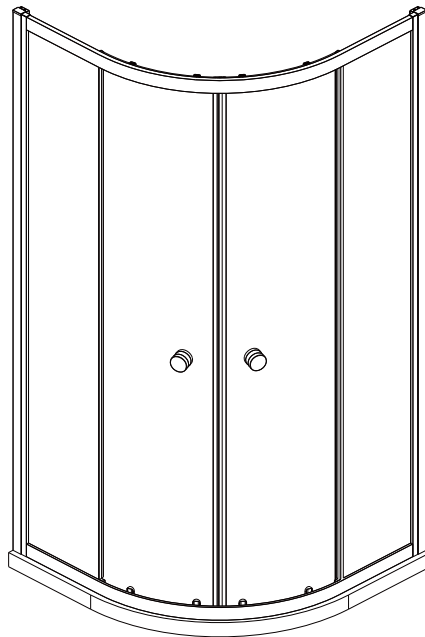


2 DOOR QUADRANT INSTALLATION GUIDE



Please read these instructions carefully and keep for future reference. Incorrect fitting will invalidate the guarantee

SAFETY

- Handle glass with great care. Although glass is very tough, sharp impacts can damage both the glass and metal frame.
- Make sure there are no hidden pipes or cables hidden in the wall where you intend to drill
- Wear safety goggles, shoes and appropriate clothing

BEFORE INSTALLATION

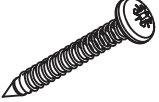

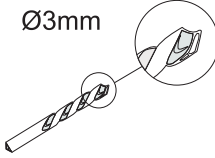

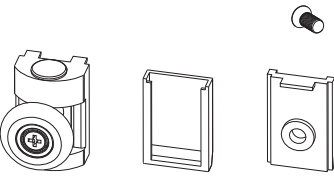
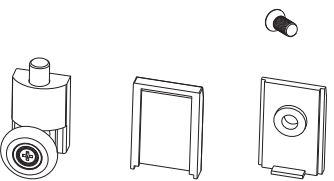
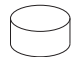
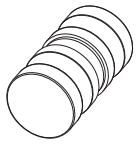
- Check that the shower tray is level in all directions. The enclosure will not sit correctly on an uneven surface. If uneven, the wall channels may not fit and the doors may not shut correctly.
- The enclosure should be fitted on tiled walls which are sealed with waterproof grout.
- There must be a good silicone seal between the rim of the shower tray and the wall.
- The shower tray and the enclosure must match in size. Attempting to fit the incorrect size of enclosure to the shower tray will result in water leaks.
- Always check very carefully that components are vertical.
- To avoid damage, use the opened out packaging to build the enclosure on.

Equipment needed:

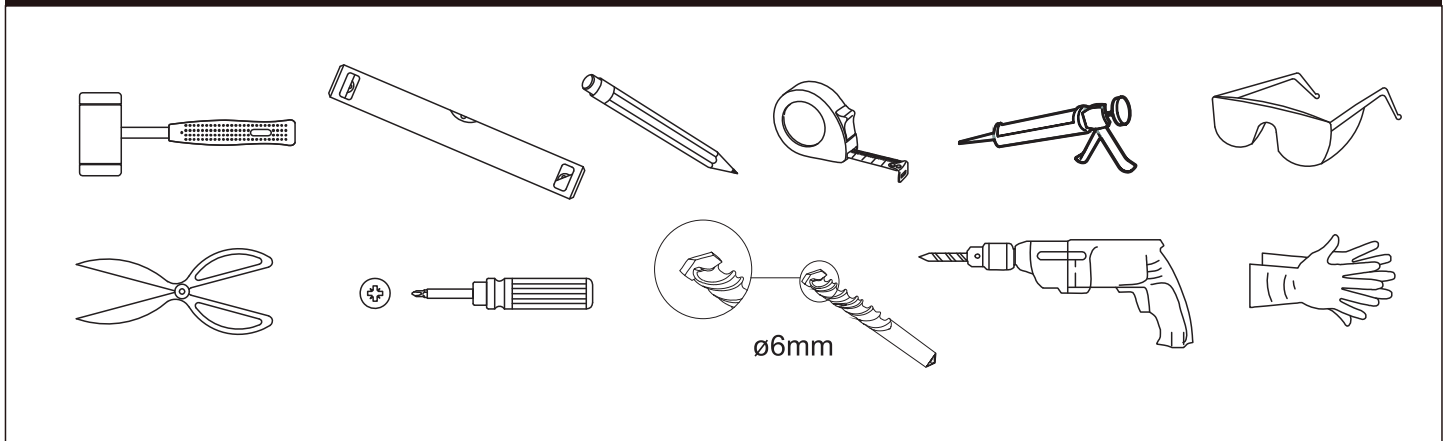
Drill, 6.0mm Masonry Bit, Crosshead PH2 Screwdriver, Spirit Level, Pencil, Tape Measure, Silicone Sealant.

Note: The screws and wall plugs supplied are for masonry walls. For lightweight walls i.e. stud partition, plasterboard etc, use the correct type of fixings.

FIXING KIT COMPONENTS

<p>6</p> <p>4x30mm</p> 	<p>6</p> 	<p>1</p> <p>Ø3mm</p> 	<p>6</p> <p>4x16mm</p> 
<p>4</p> 	<p>4</p> 	<p>12</p> 	<p>2</p> 

TOOLS REQUIRED



PRODUCT ADJUSTMENT

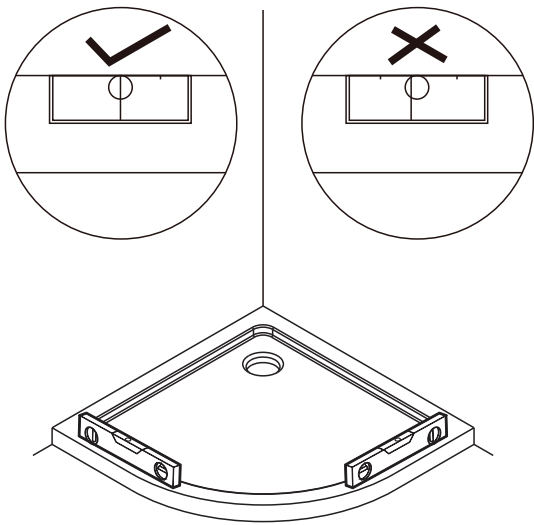
2 DOOR QUADRANT CODE	DOOR SIZE IN MM	OVERALL ADJUSTMENT
TN6180	800	770-790
TN6190	900	870-890

OFFSET SIZES PRODUCT ADJUSTMENT

2 DOOR QUADRANT CODE	DOOR SIZE IN MM	OVERALL ADJUSTMENT
TN61108	1000x800	970-990/770-790
TN61128	1200x800	1170-1190/770-790
TN61129	1200x900	1170-1190/870-890

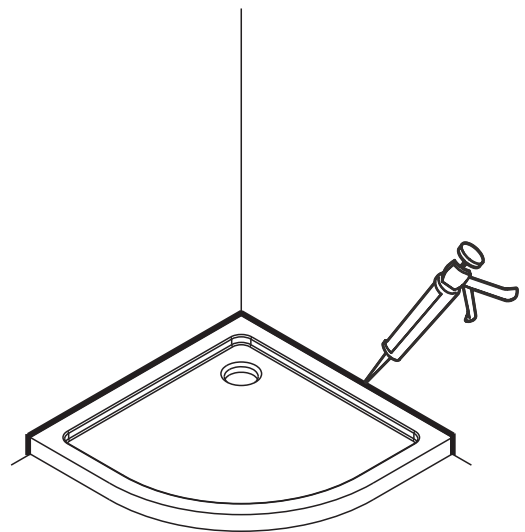
STAGE 1

Ensure your tray is 100% level in all directions before fitting the enclosure



STAGE 2

Effectively seal at the joint between the tray and the wall edges

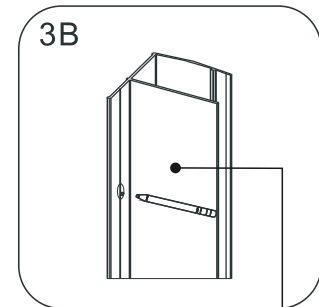
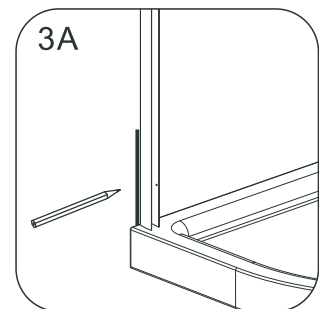
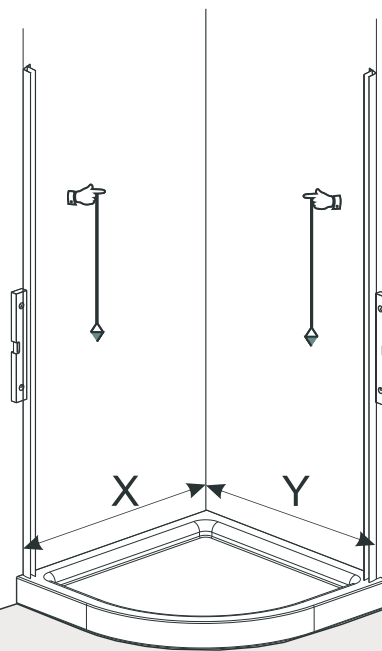


STAGE 3

Determine your step in from the edge of the tray. Measure your x and y dimension. Your measurements must fall within the below table of adjustments .

Plumb your wall profiles and mask the points of fixing.

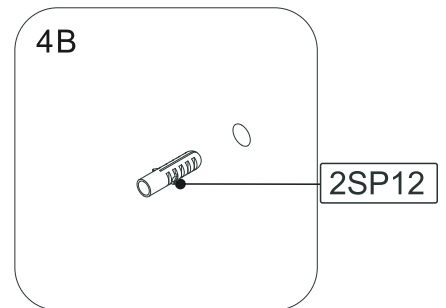
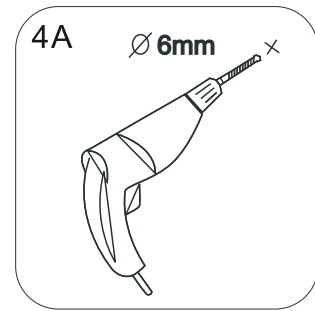
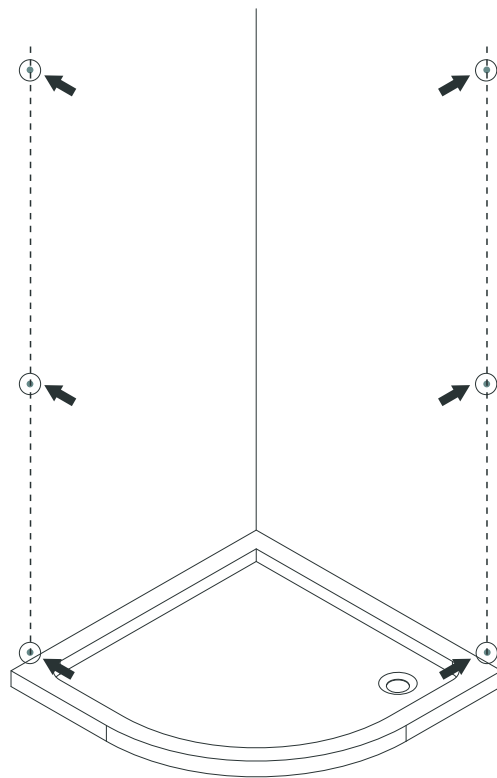
CODE	X	Y
TN6180	770-790	770-790
TN6190	870-890	870-890
TN61108	770-790	970-990
TN61128	770-790	1170-1190
TN61129	870-890	1170-1190



A02S0020

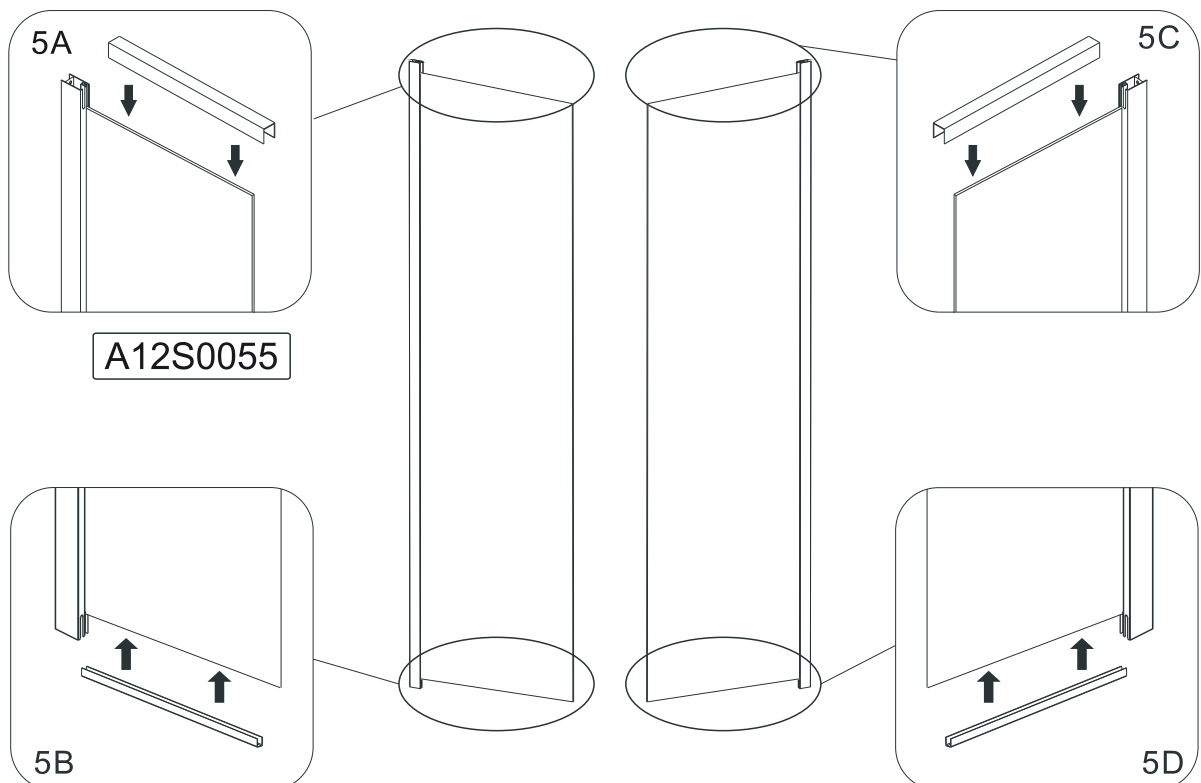
STAGE 4

Remove the wall profiles and use a 6mm masonry drill bit to drill the holes for your fixings and place the wall plug into the holes.



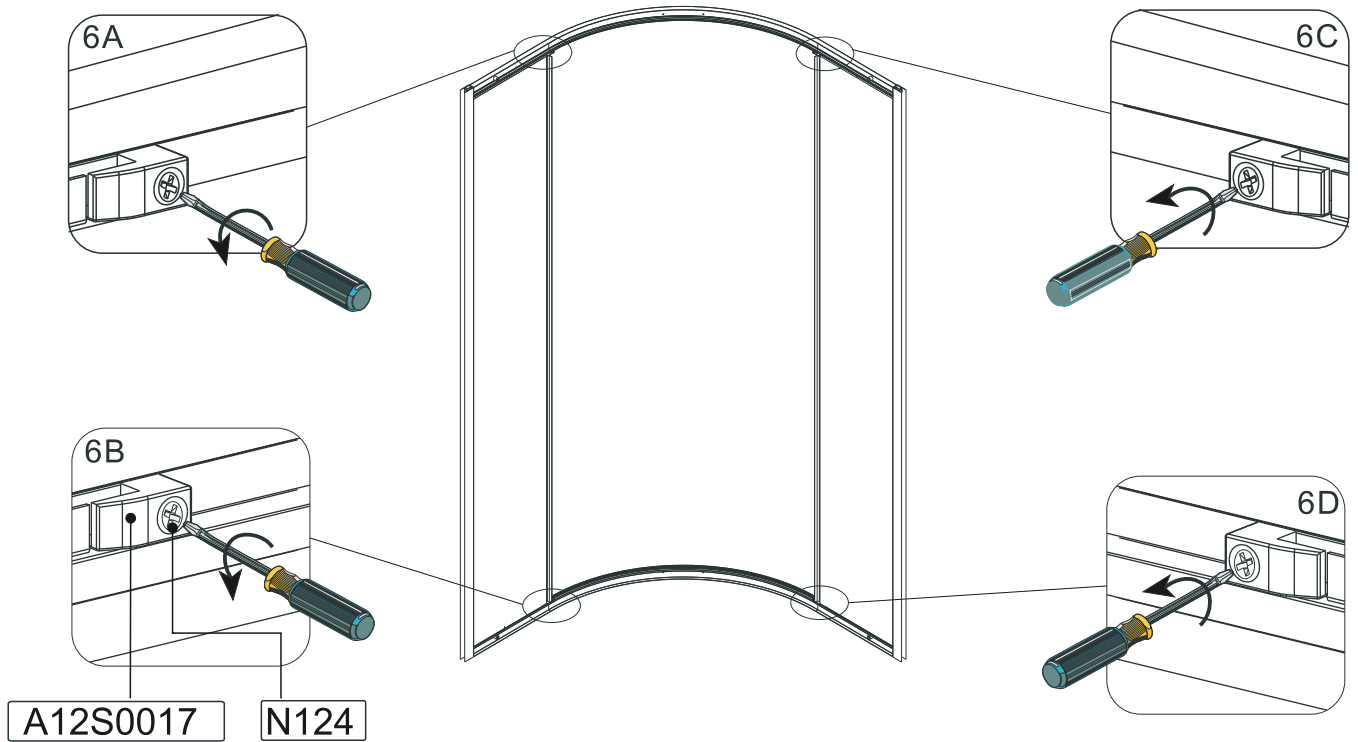
STAGE 5

Fit your fixed panels seals to the top and bottom of each fixed panel.



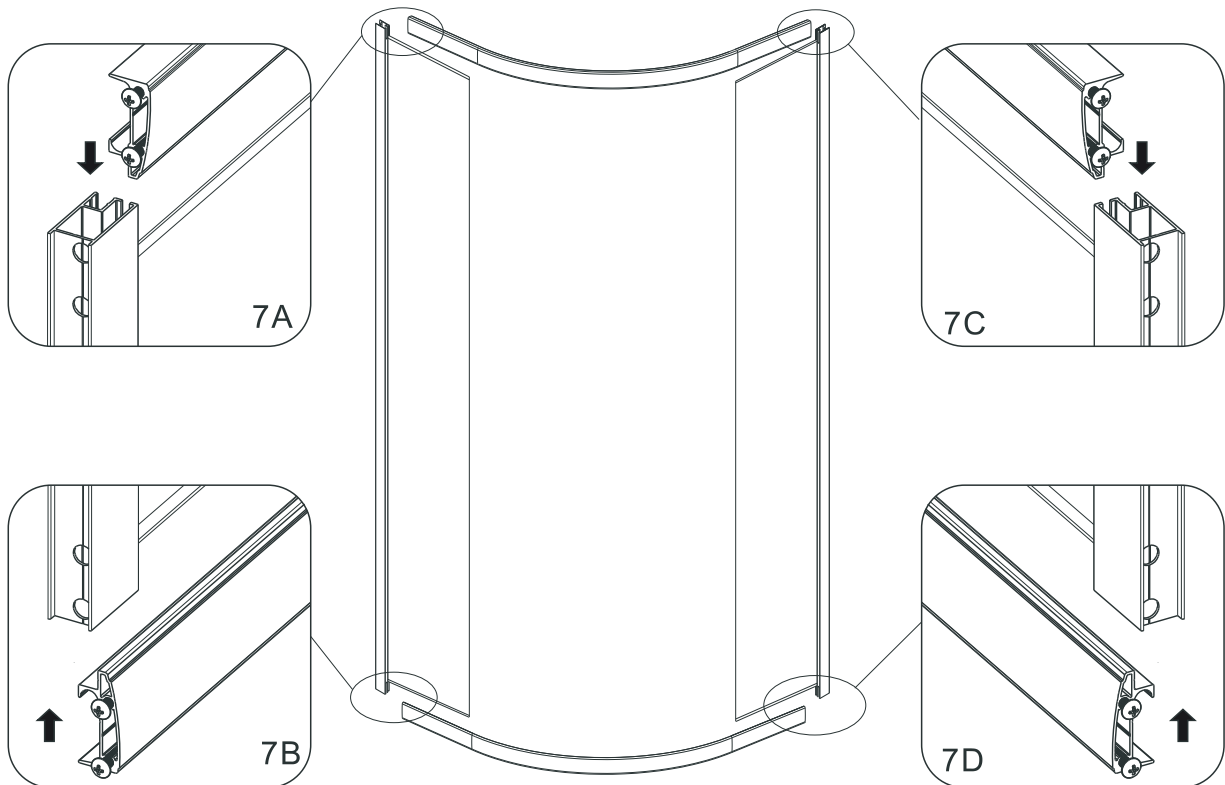
STAGE 6

Loosen A12S0020 before you fit your top and bottom profile to the upright profile.

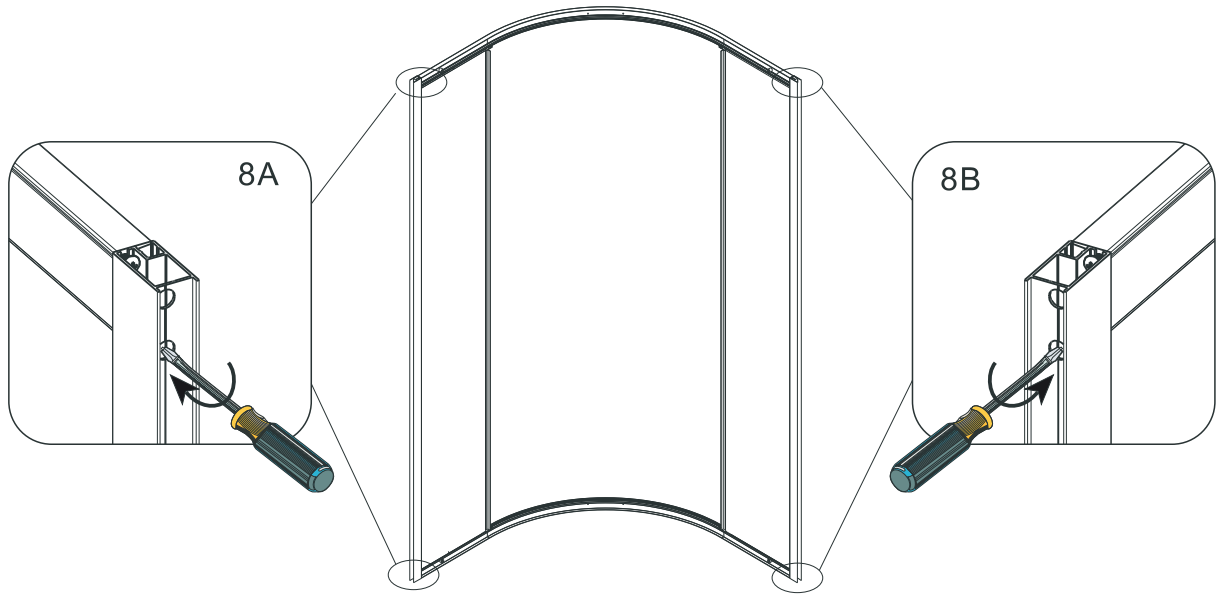


STAGE 7

Slot the top and bottom profile fixing screws into the slots in the upright profile.



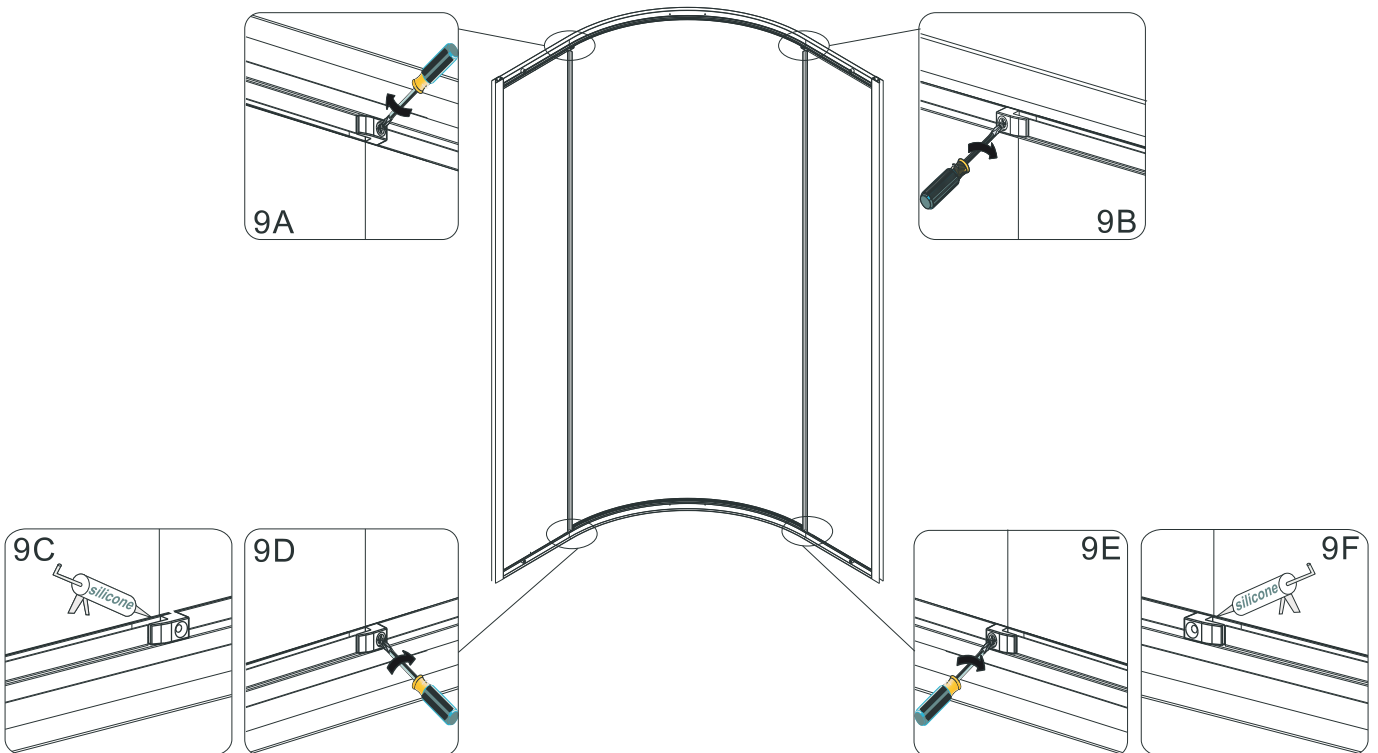
STAGE 8



Note: Do not over tighten the screws

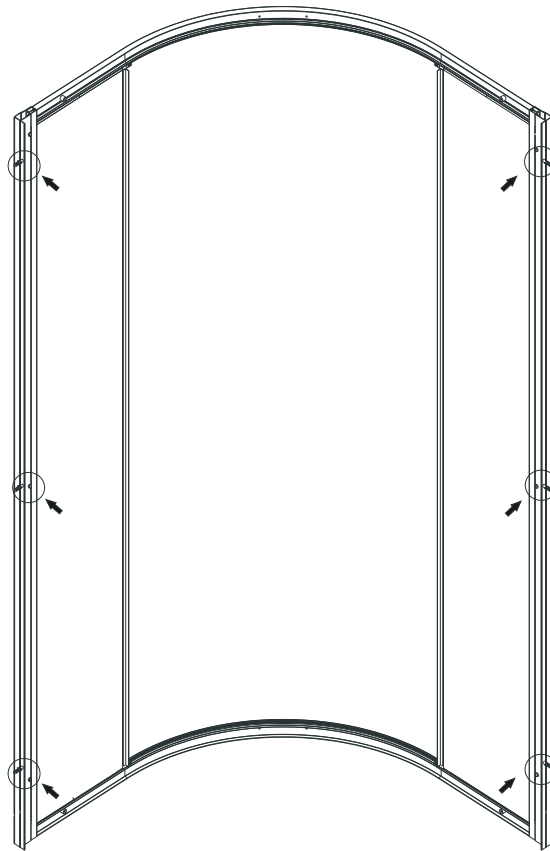
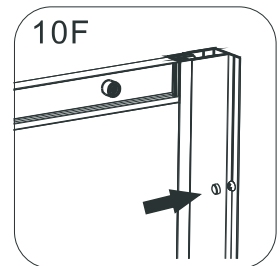
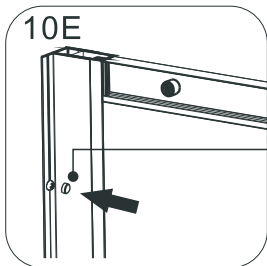
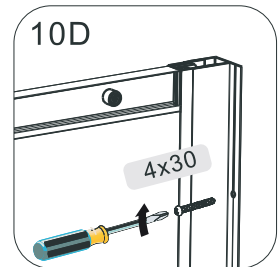
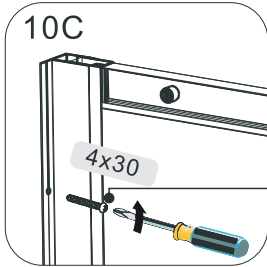
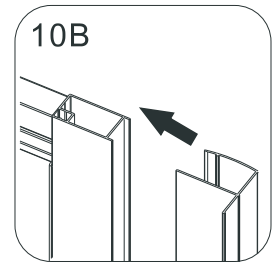
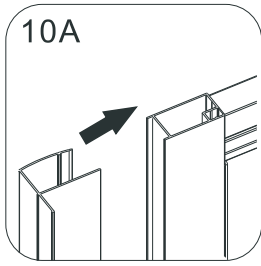
STAGE 9

Tighten A12S0020 onto the fixed panel to secure the glass.



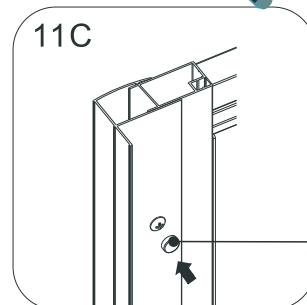
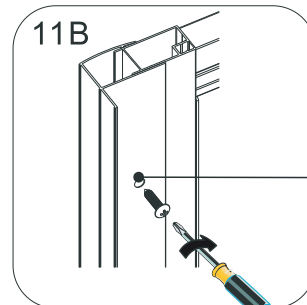
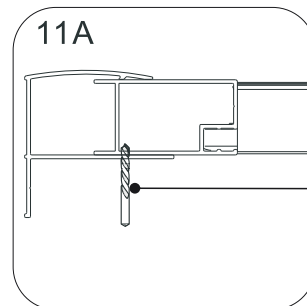
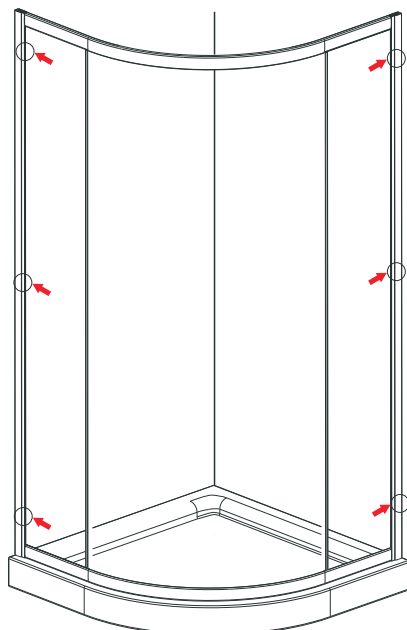
STAGE 10

Fit the wall profiles to each side of the frame. Then lift the frame onto the tray and fix the wall profiles to the wall.

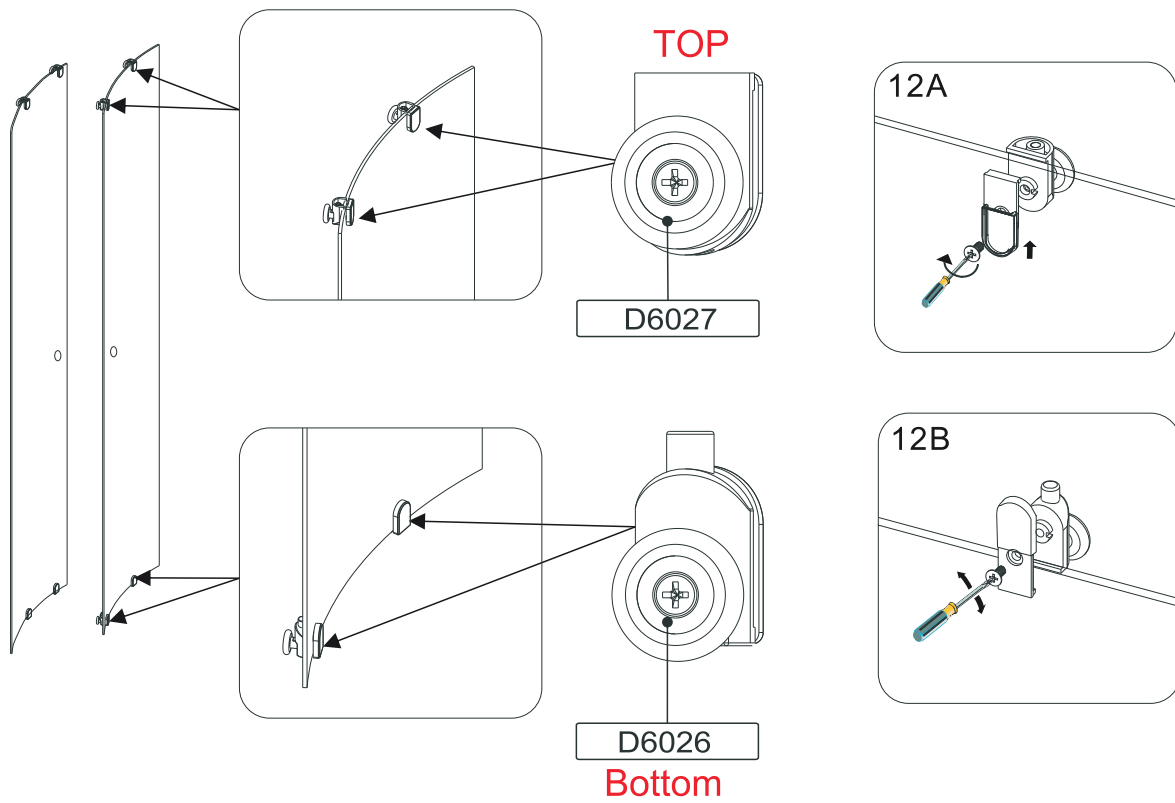


STAGE 11

After your wall profiles have been fixed you can square your enclosure on the tray and fix the wall profiles to the upright profiles as shown below.

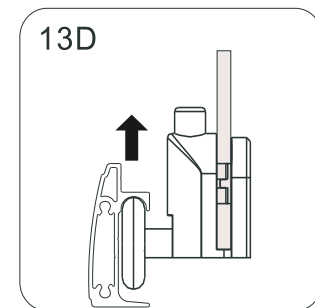
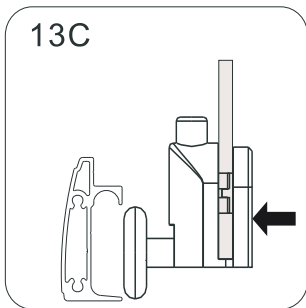
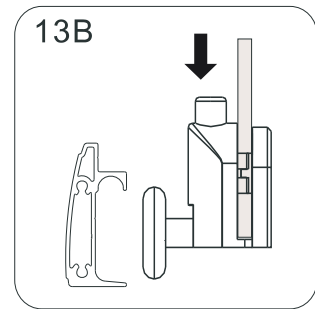
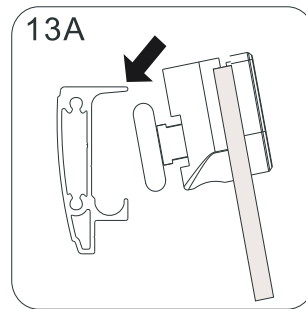
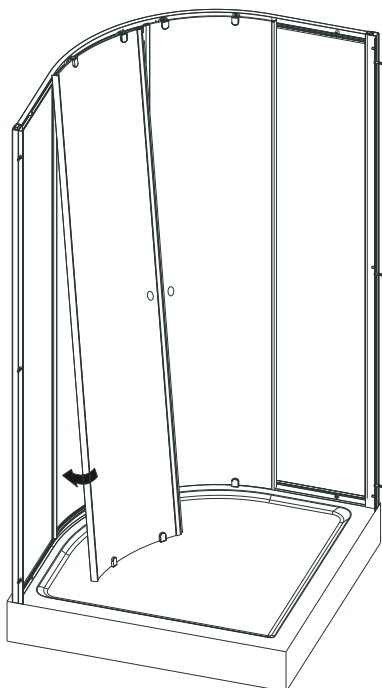


STAGE 12

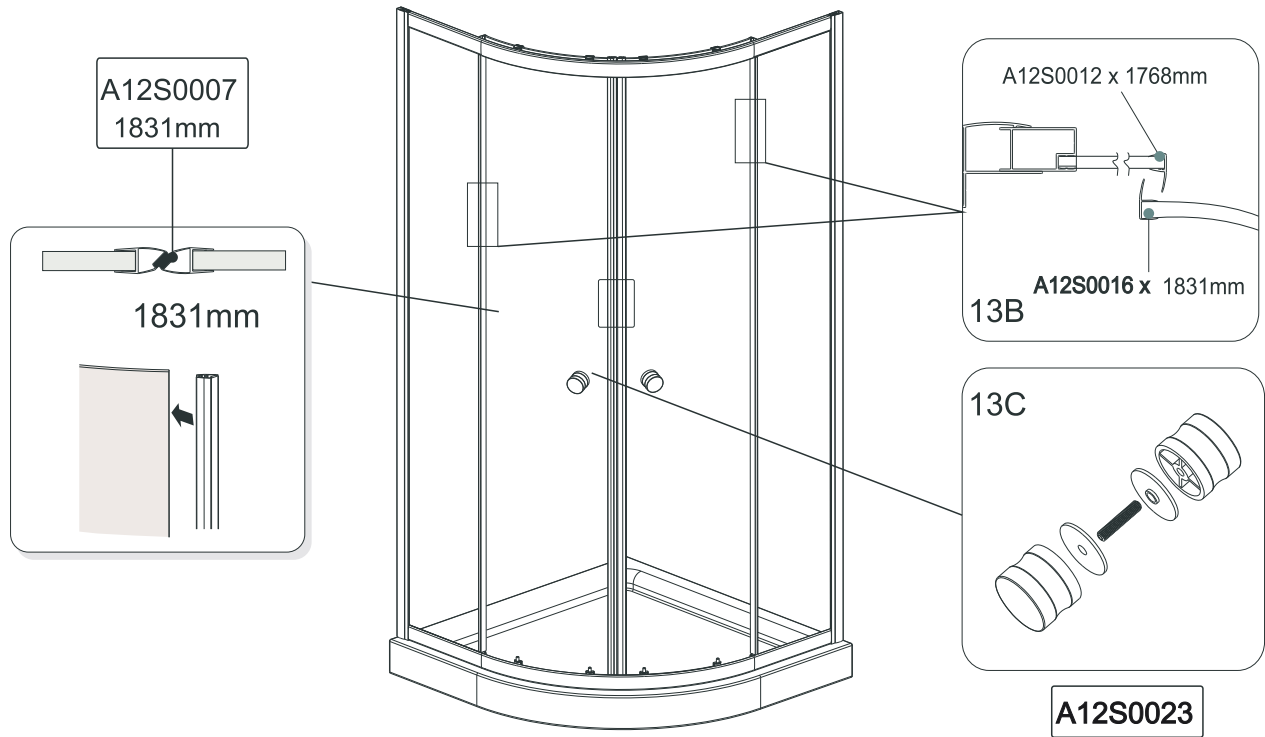


STAGE 13

To fit your door panel firstly hang the top roller to support the weight of the glass panel. You can then leave your door panel hang making it easier to release your easy clean roller into the bottom track.

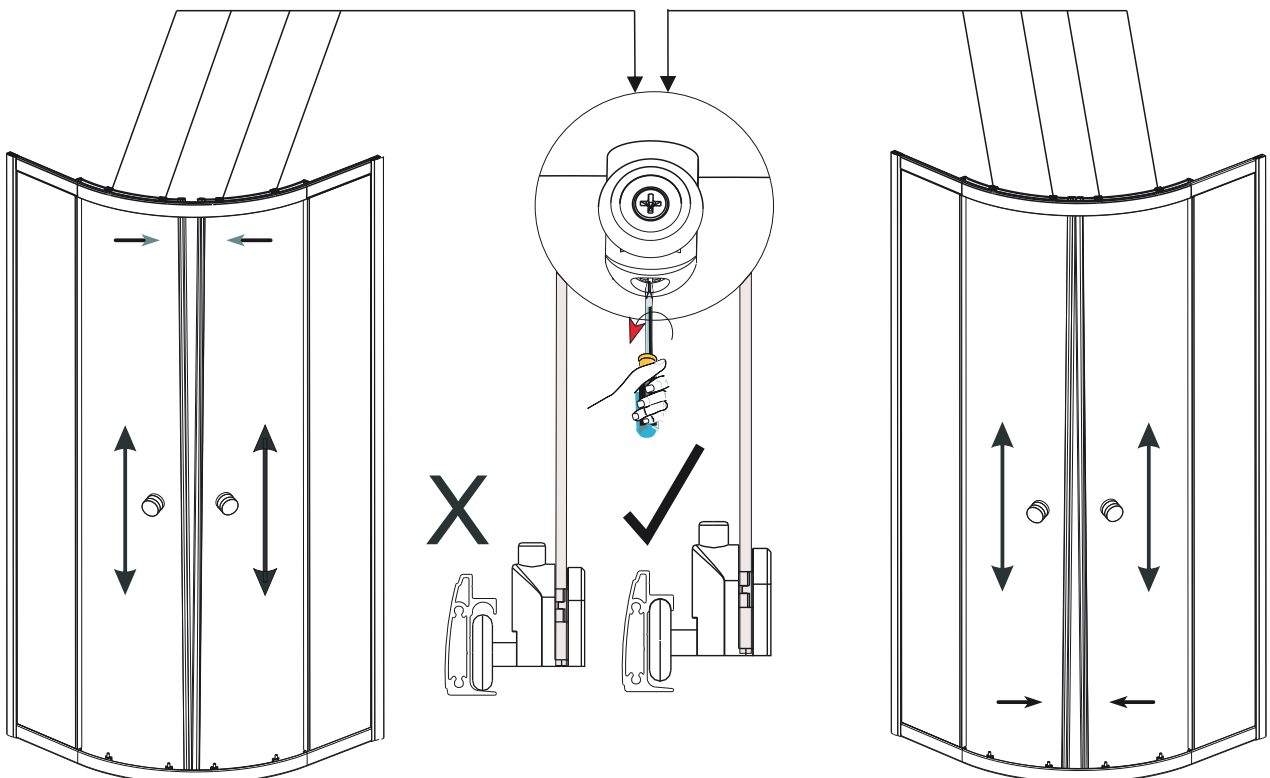


STAGE 14

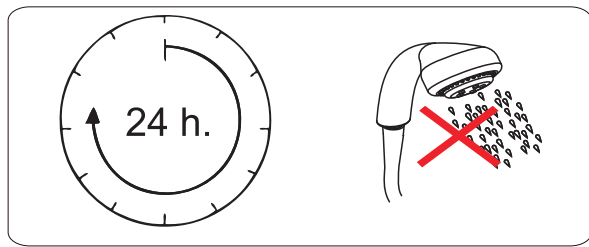
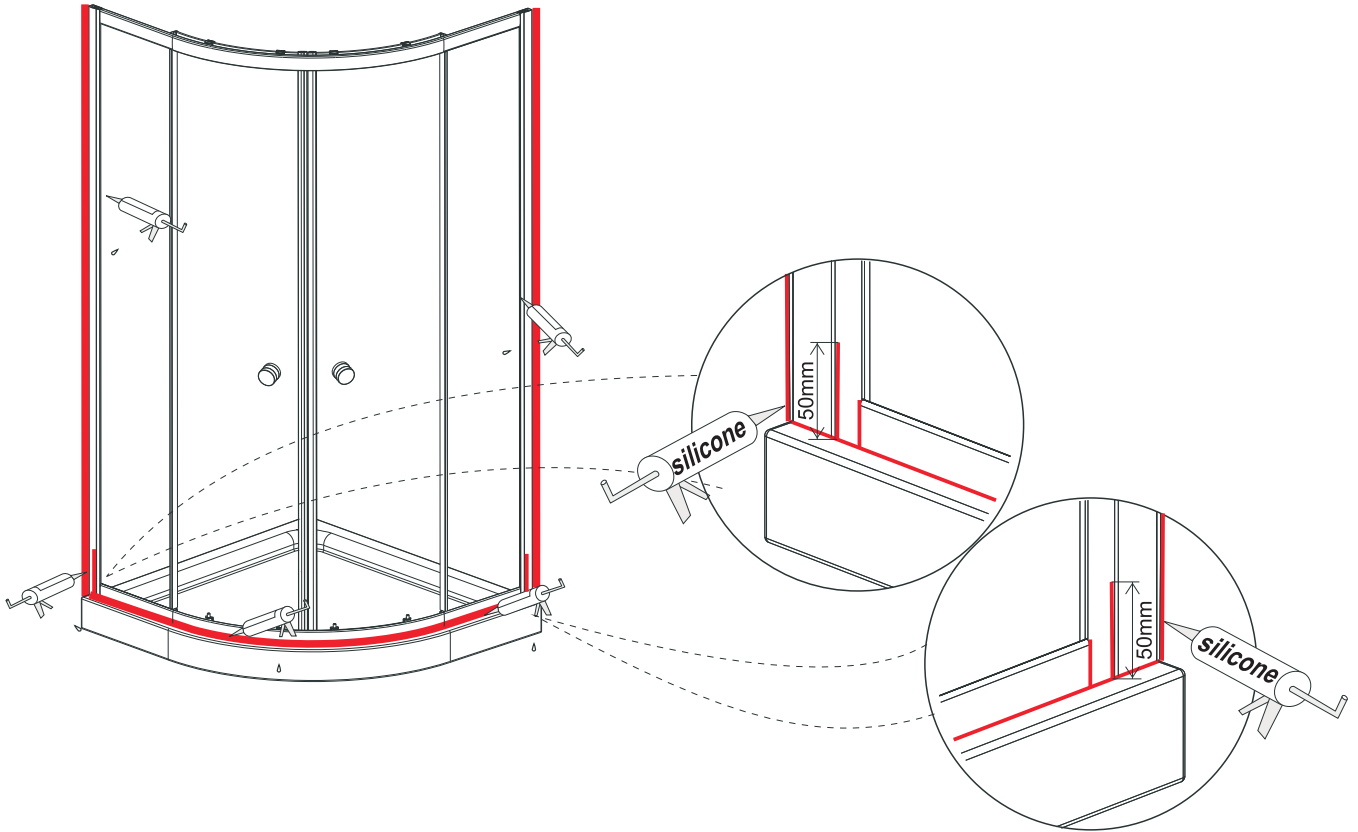


STAGE 15

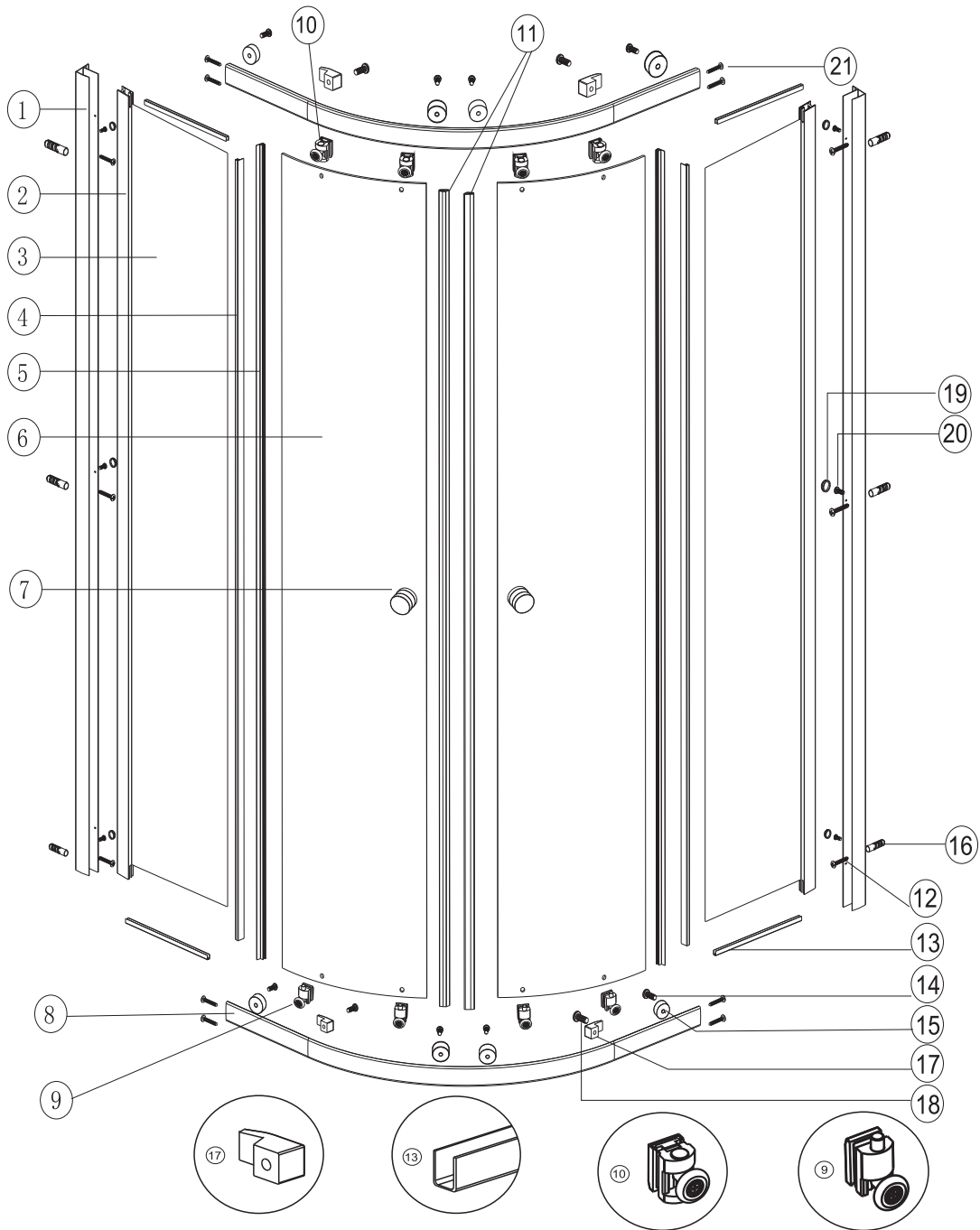
You can adjust the gaps between the two door panels by turning the adjustment screw in the top roller.



STAGE 16



PARTS LIST



Item No.	Part List Description	Part Code	2 Door Quad Size Variations				
			800×800	900×900	1000×800	1200×800	1200×900
1	Wall Profile	A02S0020	2	2	2	2	2
2	Upright Profile	A12S0004	2	2	2	2	2
3	Fixed Glass	A	2	2	2	2	2
4	Upright Seal	A12S0012	2	2	2	2	2
5	Upright Seal	A12S0016	2	2	2	2	2
6	Moving Glass	B	2	2	2	2	2
7	Handle	A12S0023	2	2	2	2	2
8	Top and Bottom Profile	C	2	2	2	2	2
9	Bottom Roller	D6026	4	4	4	4	4
10	Top Roller	D6027	4	4	4	4	4
11	Magnet Seal	A12S0007	2	2	2	2	2
12	Round Screw 4x30	2SY51	6	6	6	6	6
13	Waterproof Seal	A12S0055	4	4	4	4	4
14	Round Screw 4x8	2SY59	8	8	8	8	8
15	Roller Stop	C073	8	8	8	8	8
16	Wall Plug	2SP12	6	6	6	6	6
17	Glass Clip	A12S0020	4	4	4	4	4
18	4 x 13 Screw With Countersunk Head	N124	4	4	4	4	4
19	Screw Cover Cap	C070	12	12	12	12	12
20	Round Screw 4x16	2SY50	6	6	6	6	6
21	Round Screw 3.5x30	N081	8	8	8	8	8