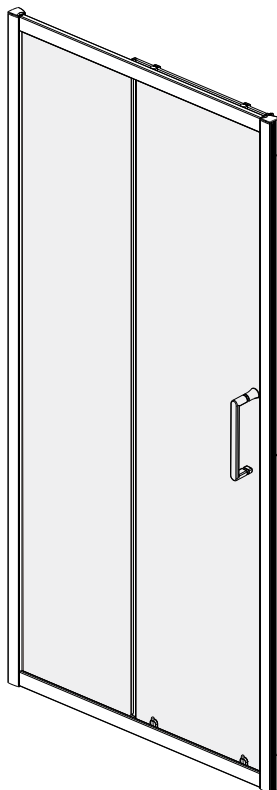


SLIDING DOOR INSTALLATION GUIDE



***Please read these instructions carefully and keep for future reference.
Incorrect fitting will invalidate the guarantee.***

SAFETY

- Handle glass with great care. Although the glass is very tough, sharp impacts can damage both the glass and metal frame.
- Make sure there are no hidden pipes or cables hidden in the wall where you intend to drill.
- Wear safety goggles, shoes and appropriate clothing.

BEFORE INSTALLATION

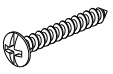
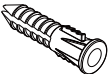
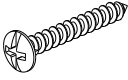
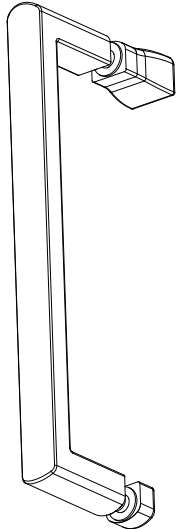


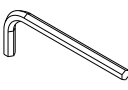
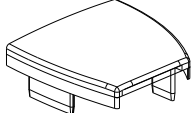
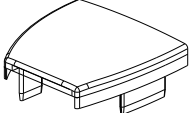
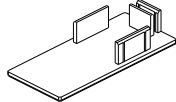
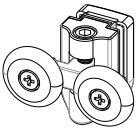
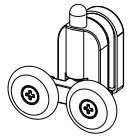
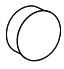
- Check that the shower tray is level in all directions. The enclosure will not sit correctly on an uneven surface. If uneven, the wall channels may not fit and the doors may not shut correctly.
- The enclosure should be fitted on tiled walls which are sealed with waterproof grout.
- There must be a good silicone seal between the rim of the shower tray and the wall.
- The shower tray and the enclosure must match in size. Attempting to fit the incorrect size of enclosure to the shower tray will result in water leaks.
- Always check very carefully that components are vertical.
- To avoid damage, use the opened out packaging to build the enclosure on.

Equipment needed:

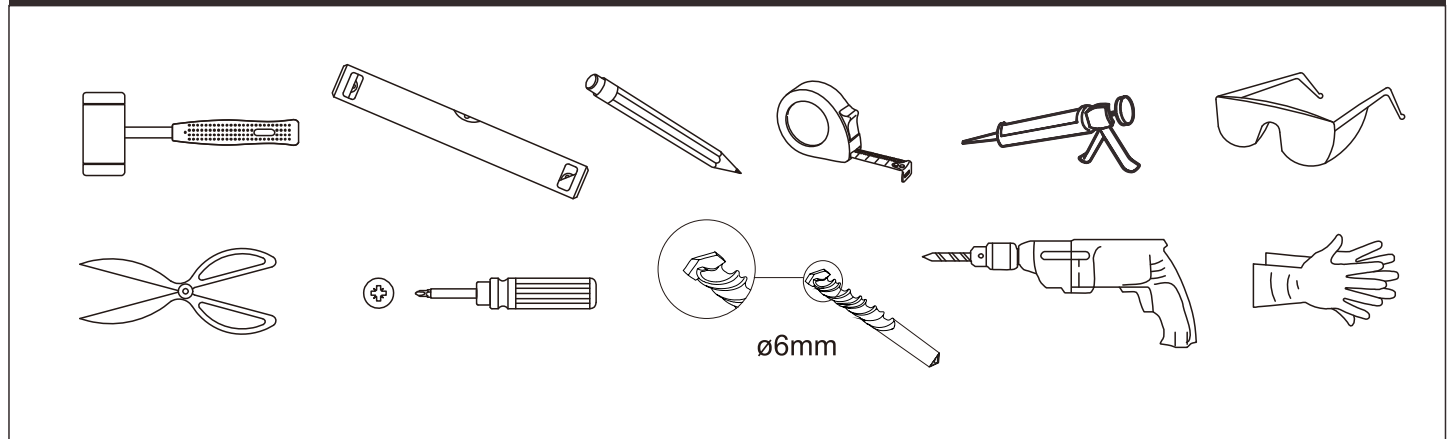
Drill, 6.0mm Masonry Bit, Crosshead PH2 Screwdriver, Spirit Level, Pencil, Tape Measure, Silicone Sealant.

Note: The screws and wall plugs supplied are for masonry walls. For lightweight walls i.e. stud partition, plasterboard etc, use the correct type of fixings.

FIXING KIT COMPONENTS

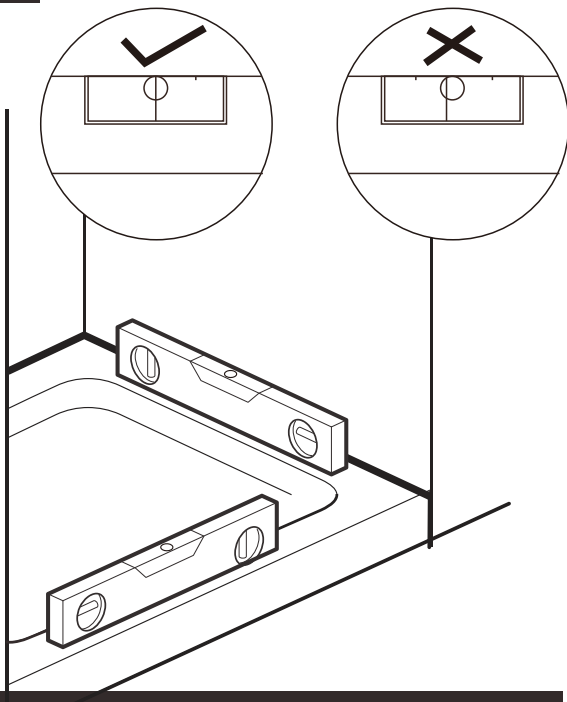
<p>6</p>  <p>A2403001</p>	<p>6</p>  <p>SP02SP12</p>	<p>8</p>  <p>SP0B08129</p>	 <p>1</p> <p>SP0B08072</p>
<p>6</p>  <p>A2401201</p>	<p>1</p>  <p>SP0B08092</p>	<p>1</p>  <p>SP0B08068</p>	
<p>1</p>  <p>SP0B08150</p>	<p>1</p>  <p>SP0B08151</p>	<p>2</p>  <p>SP0B08152</p>	
<p>2</p>  <p>SP0B08074</p>	<p>2</p>  <p>SP0B08075</p>	<p>2</p>  <p>SP0B08069</p>	

TOOLS REQUIRED

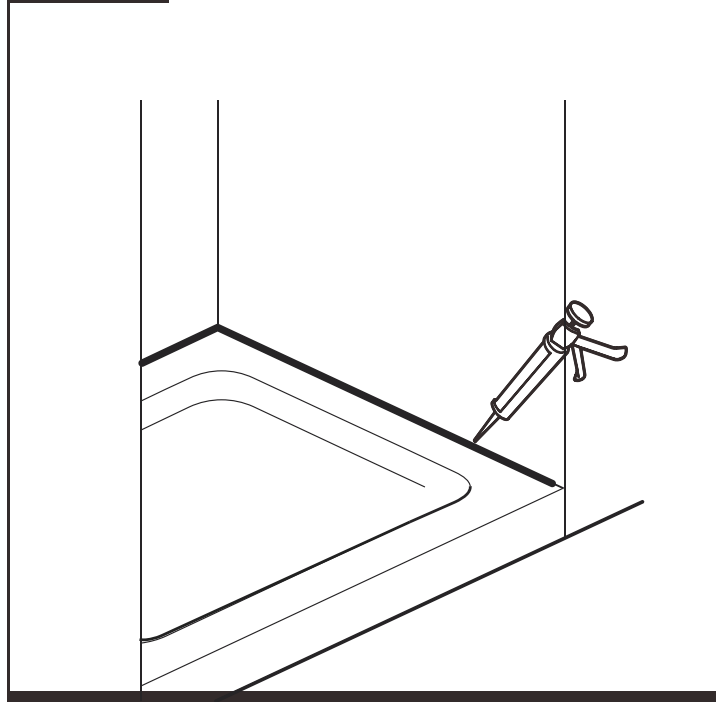


SLIDER DOOR CODE	DOOR SIZE IN MM	OVERALL ADJUSTMENT IN RECESS MM
TN8S10	1000	930-990
TN8S11	1100	1030-1090
TN8S12	1200	1130-1190
TN8S14	1400	1330-1390

STAGE 1

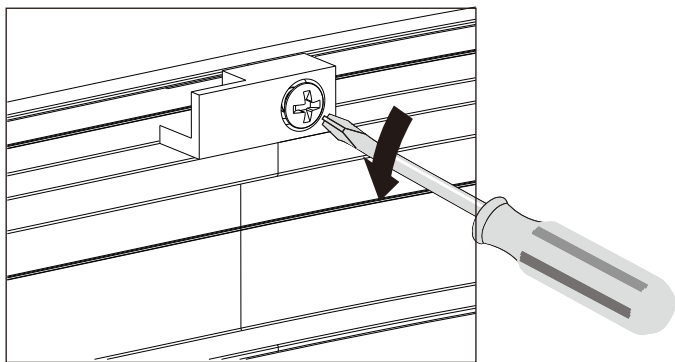


STAGE 2

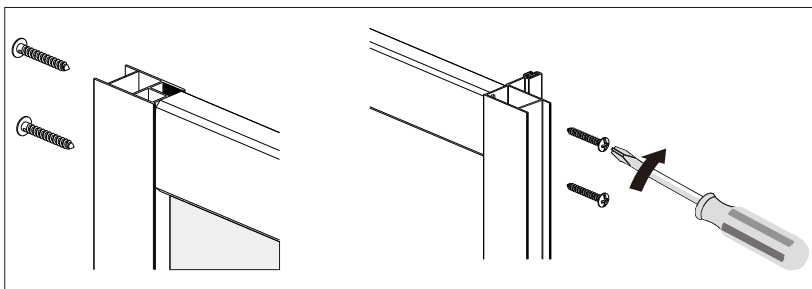


STAGE 3

Loosen fixed glass panel clip. Do not remove the screw.



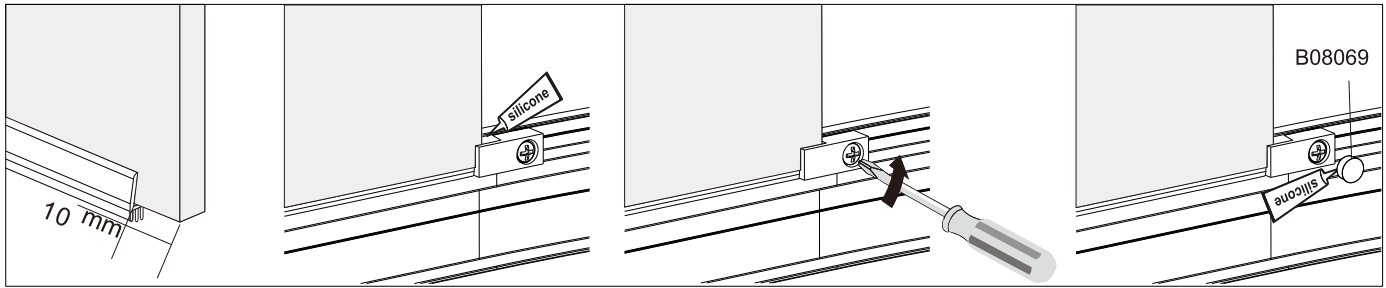
STAGE 4



Fix the two fixed panels and upright profiles to the top bottom rail, using SP0B08129 screw

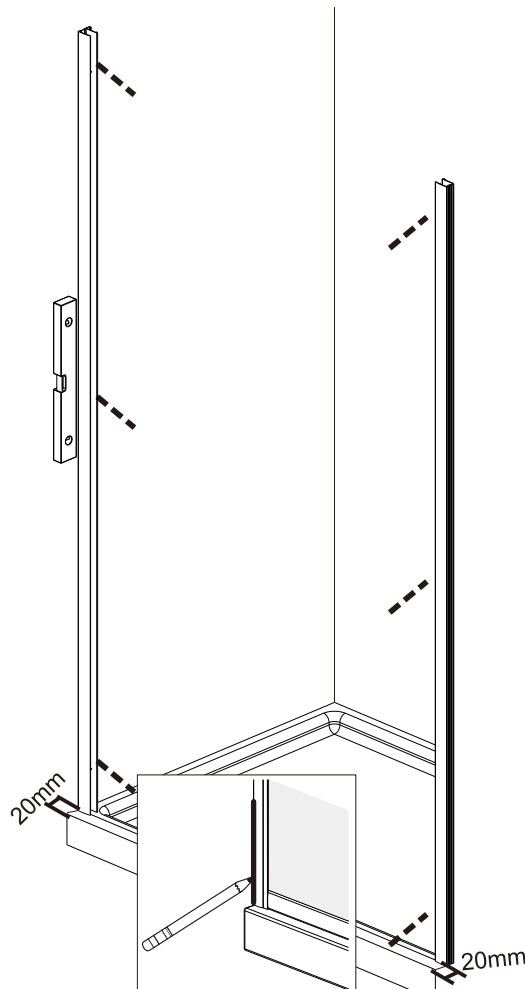
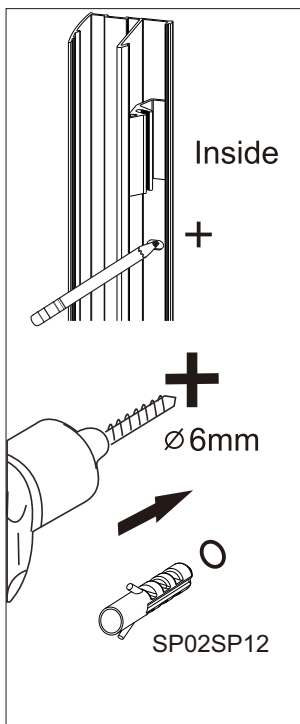
STAGE 5

Put a dab of silicone in the corner between glass panel and fixed clip to the bottom when sliding the clip under the glass and back into position. Ensure bottom seal is present on glass, remove small corner protector/seal if present



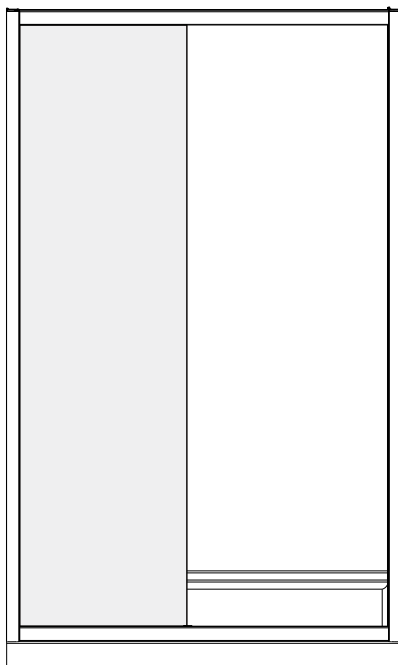
STAGE 6

FITTING THE WALL PROFILE

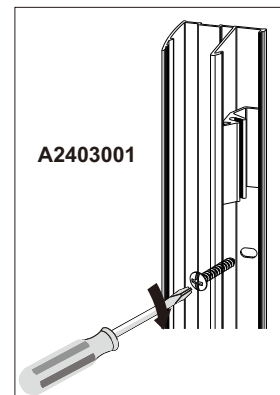
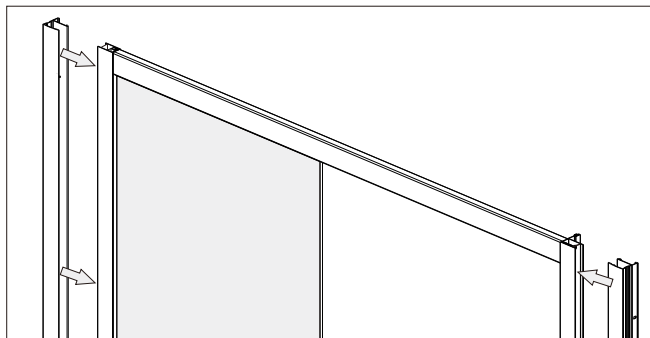


Position the wall profiles on the tray. Step in wall profile 20mm from the front edge of the shower tray. Ensure wall profile is plumb. Mark the position for fixing the wall profile to the wall. Drill with 6mm Masonry drill bit and insert wall plug SP02SP12. **Do not silicone behind wall profile to wall, see sealing section.**

STAGE 7



Fit both wall profile onto the frame, then lift the frame onto the tray, keep side of profile with fixing holes to the inside, fix both profiles with 30mm screws A2403001.

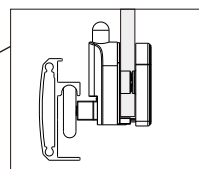
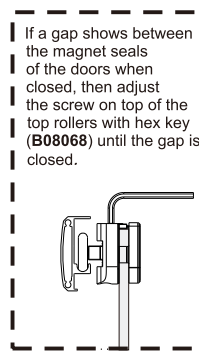
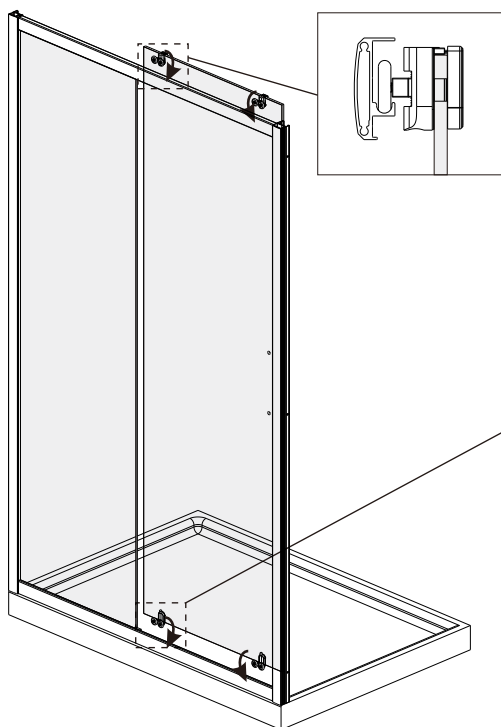
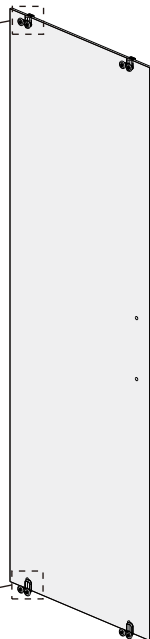
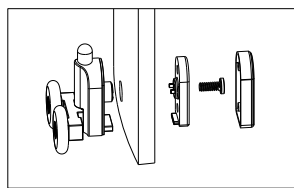
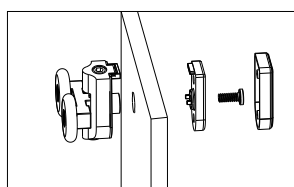


STAGE 8

INSTALL MOVING PANEL

Fit the rollers, to the moving panel.

Note: ensure OUTSIDE label is facing the outside. Spring loaded rollers are to be located at the bottom. Hang the doors onto the top track, and push the spring loaded button on the bottom rollers and ease the rollers into the bottom rail.



IMPORTANT :

To ensure the door has a smooth rolling action the bottom rollers must be in contact with inner top edge of the bottom profile. Adjust top rollers as set out above.

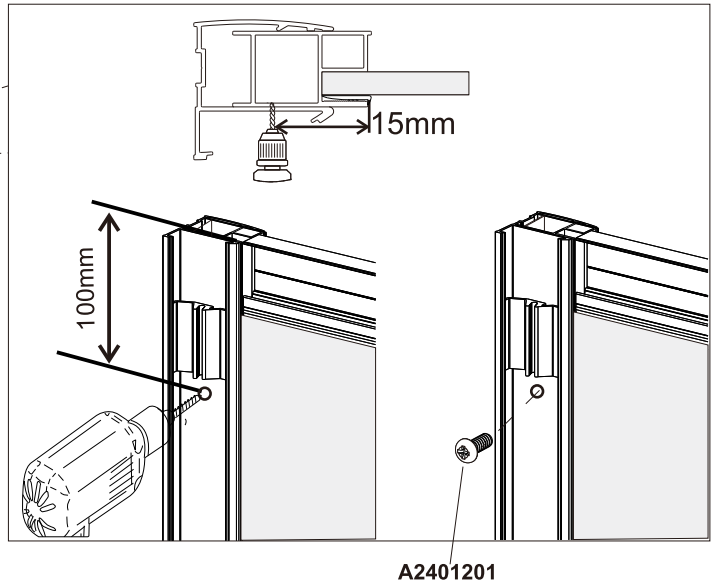
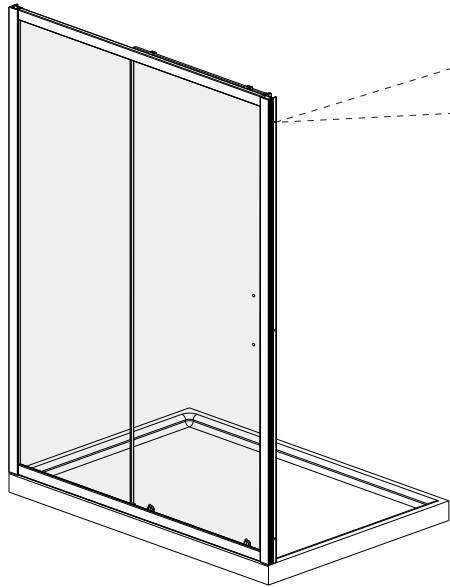
STAGE 9

SECURE WALL CHANNEL & UPRIGHT PROFILE

Once you have checked that the door opens and closes correctly, fix the door frame to the wall channels. From inside, drill 3 holes through each wall channel/door frame using a 3.0mm drill bit. Fix using A2401201.

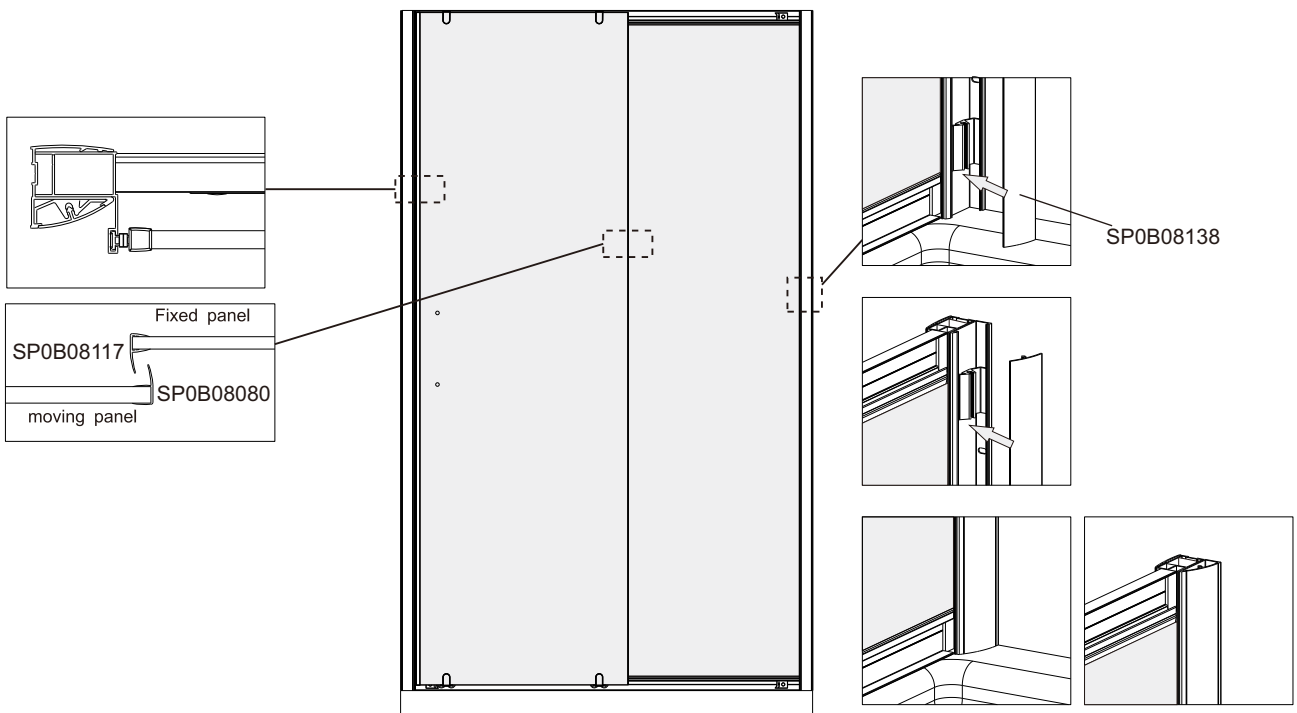
IMPORTANT:

Please follow the right diagram for drilling, so as not to drill into the glass. Ensure there is sufficient overlap between the wall profile and the frame for the screw to fix both profiles.

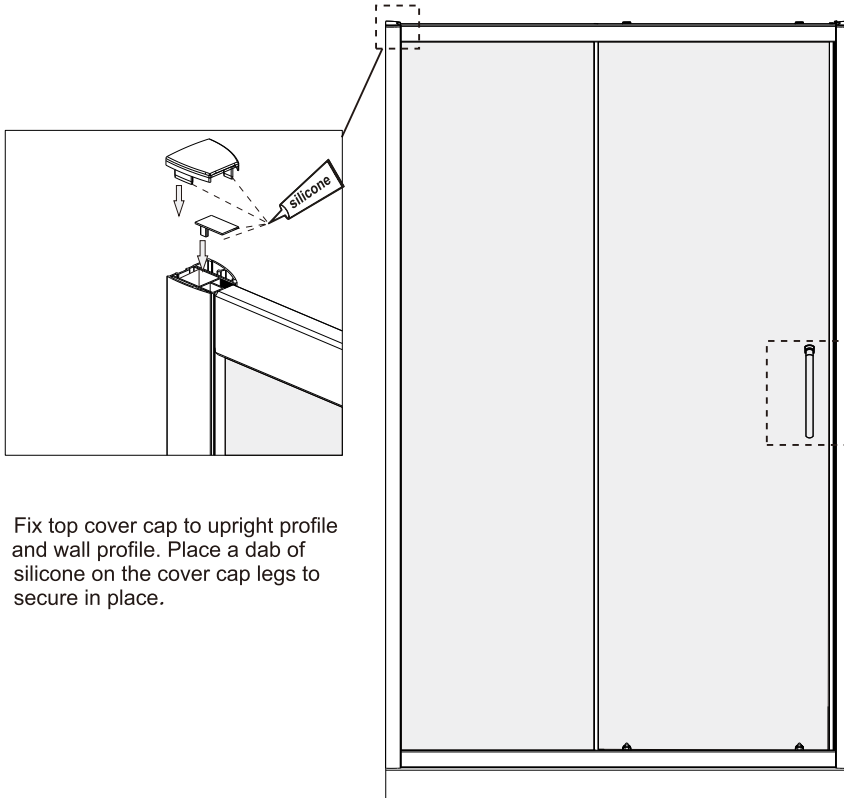


STAGE 10

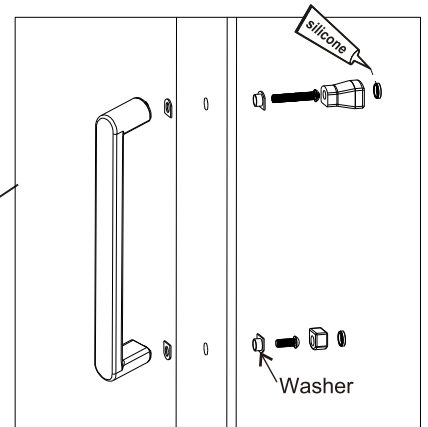
Push the upright seals SP0B08117 onto the fixed panels, and the upright seals SP0B08080 onto the moving panel. (As shown diagram below). Attach cover strip SP0B08138 to the wall profile.



STAGE 11



Fix top cover cap to upright profile and wall profile. Place a dab of silicone on the cover cap legs to secure in place.



Fit handle to door

STAGE 12

Use a quality silicone sealant to seal the finished door. Seal joints between the upright profiles and the bottom rail.

Sealing Inside Seal top to bottom on the **INSIDE** between the wall profile and the wall.

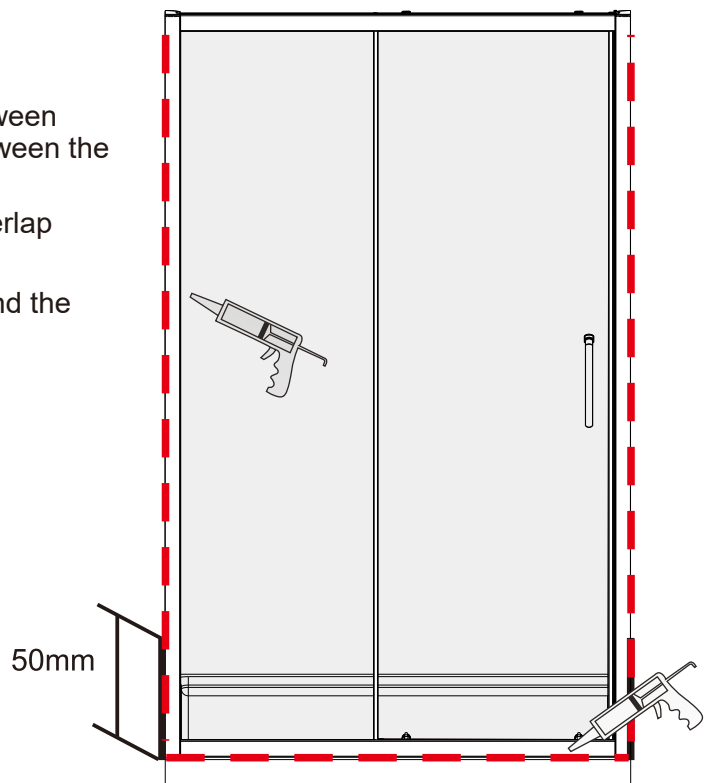
Note: Do not apply sealant on inside of tray.

Sealing Outside

Seal only along bottom rail on the **OUTSIDE** between profile and the tray and approx 50mm up between the wall profile and the wall.

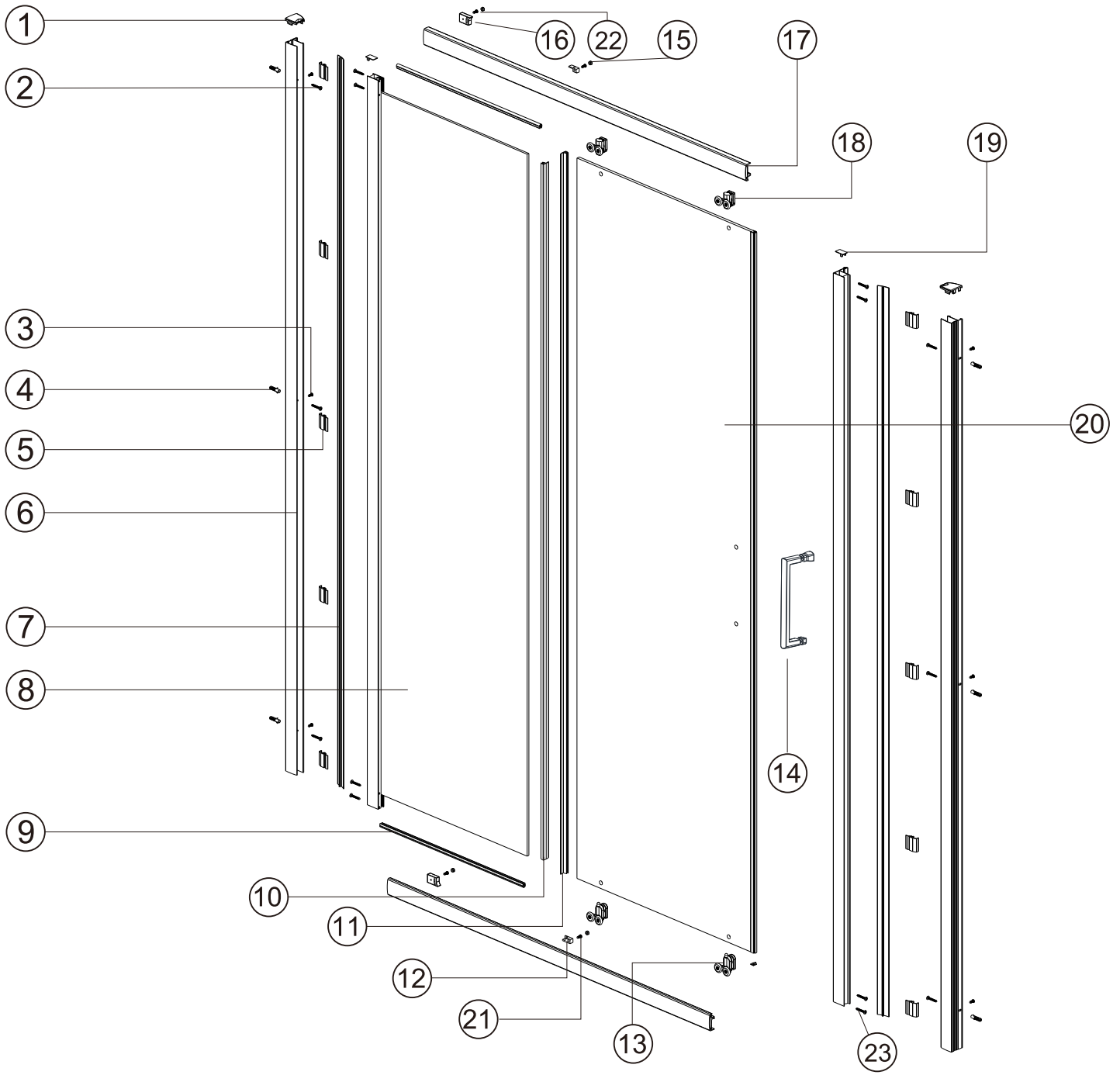
Seal also where wall profile and frame profile overlap 50mm up.

Seal also the joints between the bottom profile and the upright profiles.



50mm

PARTS LIST



Item No.	Part List Description	Part Code	Sliding Door Size Variations			
			1000	1100	1200	1400
1	Cover cap for wall profile L/R	SP0B08150/ SP0B08151	2	2	2	2
2	Screw ST4X30	A2403001	6	6	6	6
3	Flat head screw ST4X12	A2401201	6	6	6	6
4	Wall plug	SP02SP12	6	6	6	6
5	Cover strip clip	SP0B08147	10	10	10	10
6	Wall profile	SP0B08135	2	2	2	2
7	Cover Strip	SP0B08138	2	2	2	2
8	Fixed panel -various sizes	N/A	1	1	1	1
9	8mm Fixed bottom seal 30mm	SP0B08146	2	2	2	2
10	Upright water seal for fixed panel	SP0B08117	1	1	1	1
11	Upright water seal for moving panel	SP0B08080	1	1	1	1
12	Glass clip (L/R)	SP0B08120/ SP0B08121	2	2	2	2
13	Bottom roller	SP0B08075	2	2	2	2
14	Handle	SP0B08072	1	1	1	1
15	Glass clip cover cap	SP0B08069	2	2	2	2
16	Roller stop (L/R)	SP0B08065L/ SP0B08065R	2	2	2	2
17	Top & bottom rail 1000mm	SP0B08139/ SP0B08140	1			
17	Top & bottom rail 1100mm	SP0B08166/ SP0B08167		1		
17	Top & bottom rail 1200mm	SP0B08141/ SP0B08142			1	
17	Top & bottom rail 1400mm	SP0B08143/ SP0B08144				1
18	Top Roller	SP0B08074	2	2	2	2
19	Cover cap upright profile	SP0B08152	2	2	2	2
20	Movingpanel- various sizes	N/A	1	1	1	1
21	Glass clip screw ST4X10	SP0B08089	2	2	2	2
22	Roller stop screw ST4X10	SP0B08089	2	2	2	2
23	Screw ST4X40	SP0B08129	8	8	8	8