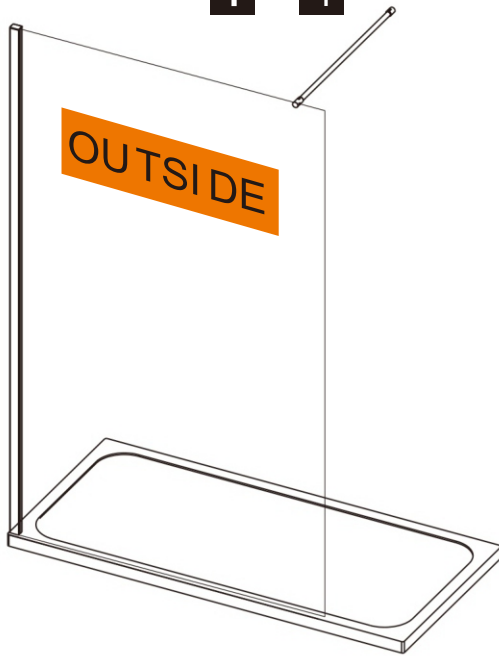


BLACK SHOWER WALL INSTALLATION GUIDE

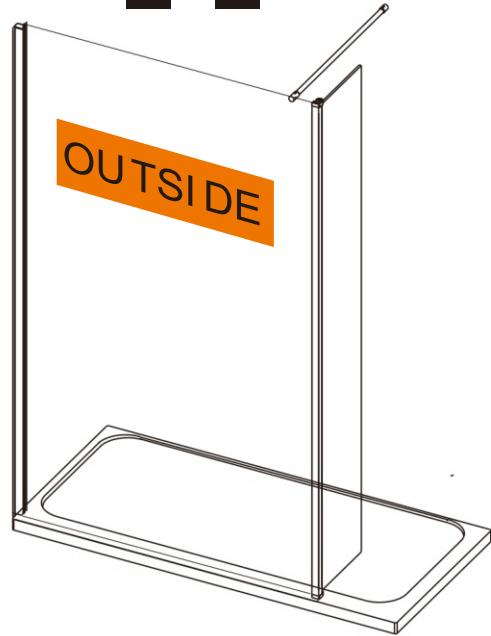
Shower Wall

1 - 4



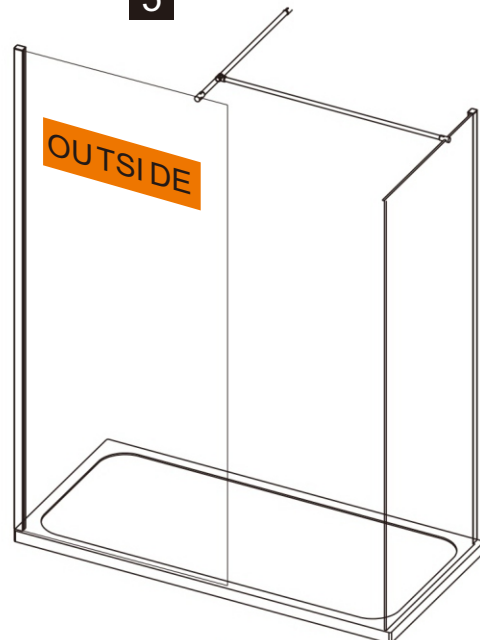
Swivel Panel

8 - 11



End Panel

5



***Please read these instructions carefully and keep for future reference.
Incorrect fitting will invalidate the guarantee.***

 **SAFETY**

- Handle glass with great care. Although the glass is very tough, sharp impacts can damage both the glass and metal frame.
- Make sure there are no hidden pipes or cables hidden in the wall where you intend to drill.
- Wear safety goggles, shoes and appropriate clothing.

 **BEFORE INSTALLATION**

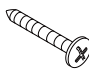
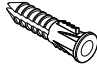
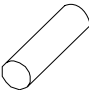
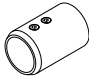
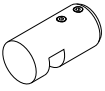
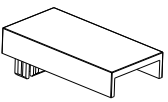
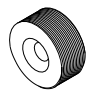


- Check that the shower tray is level in all directions. The enclosure will not sit correctly on an uneven surface. If uneven, the wall channels may not fit and the doors may not shut correctly.
- The enclosure should be fitted on tiled walls which are sealed with waterproof grout.
- There must be a good silicone seal between the rim of the shower tray and the wall.
- The shower tray and the enclosure must match in size. Attempting to fit the incorrect size of enclosure to the shower tray will result in water leaks.
- Always check very carefully that components are vertical.
- To avoid damage, use the opened out packaging to build the enclosure on.

Equipment needed:

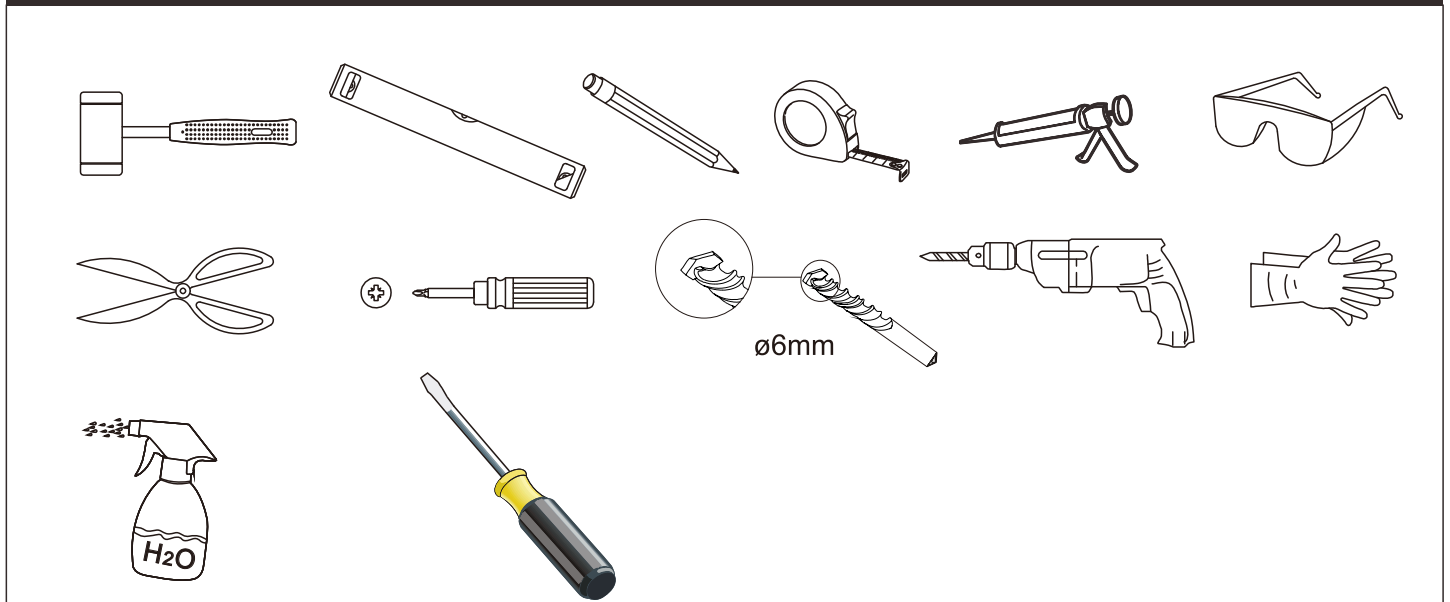
Drill, 6.0mm Masonry Bit, Crosshead PH2 Screwdriver , Spirit Level, Pencil, Tape Measure, Silicone Sealant.

Note: The screws and wall plugs supplied are for masonry walls. For lightweight walls i.e. stud partition, plasterboard etc, use the correct type of fixings.

FIXING KIT COMPONENTS

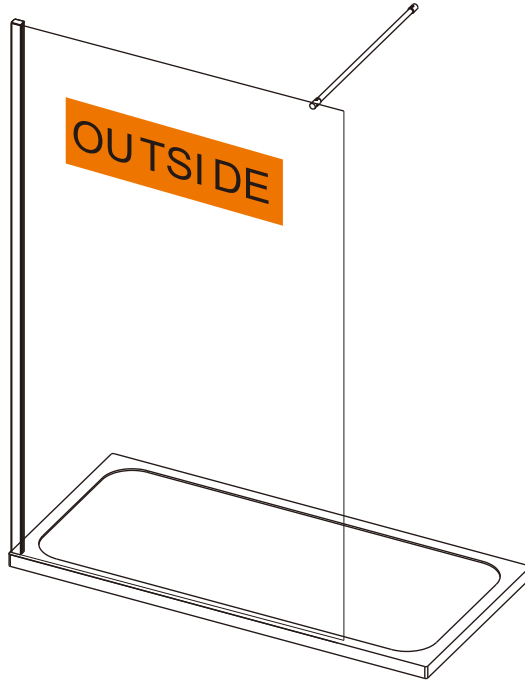
5	4x30mm  SP02SY51	5	 SP02SP12	1	 SP0N068B	1	 SP0N071B
2	 SP0N069B	2	 A04S0028B	1	 SP0N072	1	 A04S0010B
1							

TOOLS REQUIRED

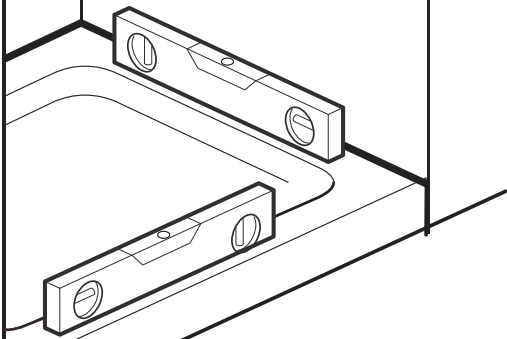
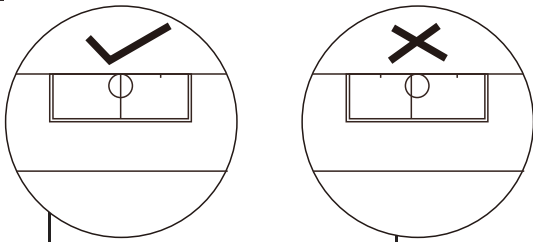


BLACK SHOWER WALL CODE	DOOR SIZE IN MM	OVERALL ADJUSTMENT IN MM
TSW80B	800	775-790
TSW90B	900	875-890
TSW10B	1000	975-990
TSW12B	1200	1175-1190
TSV30B	300	NA

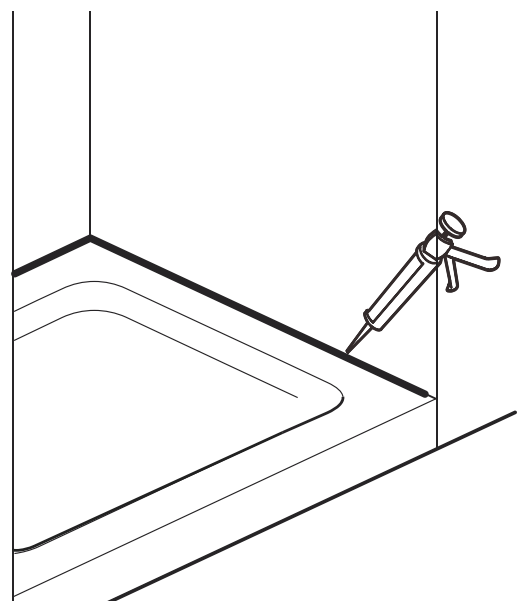
Shower Wall



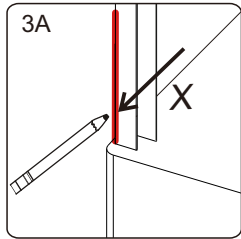
STAGE 1



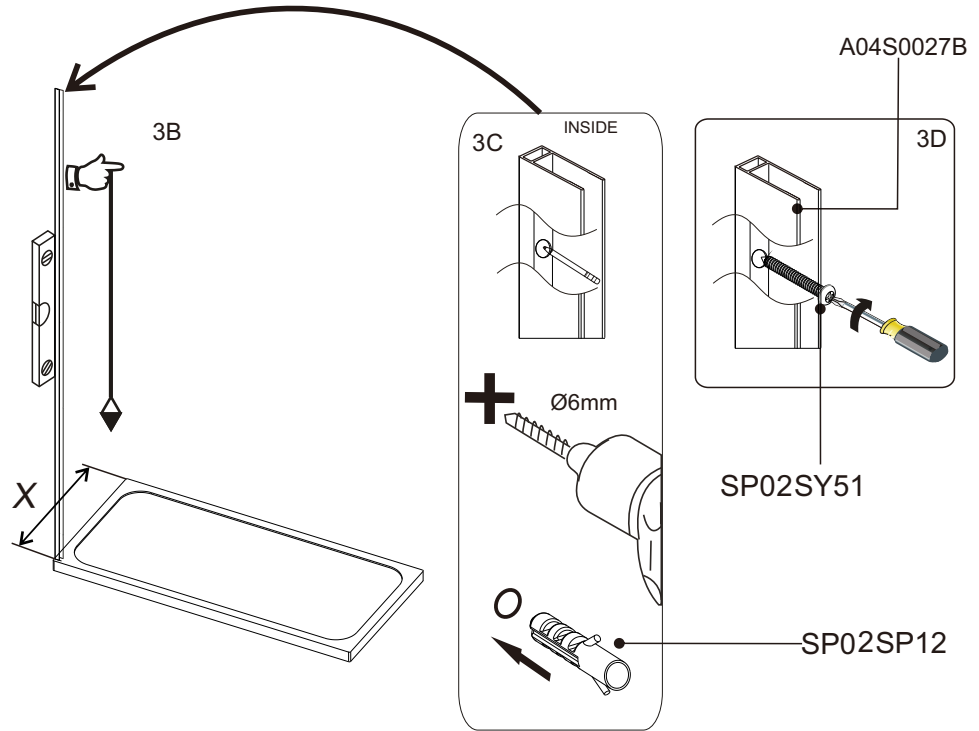
STAGE 2



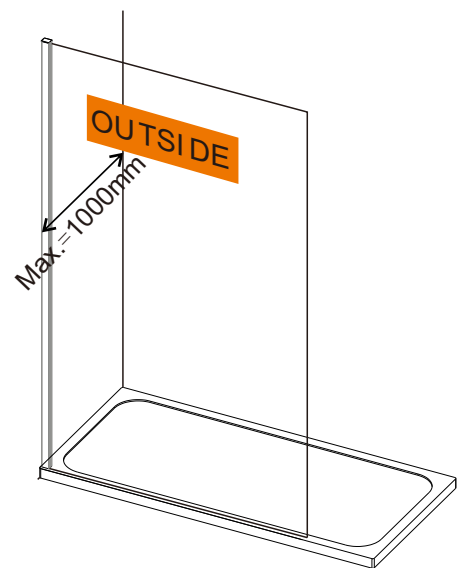
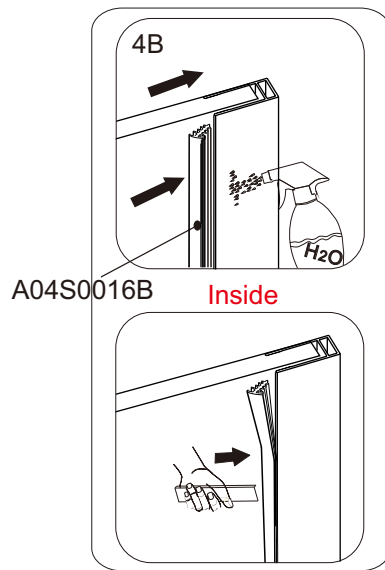
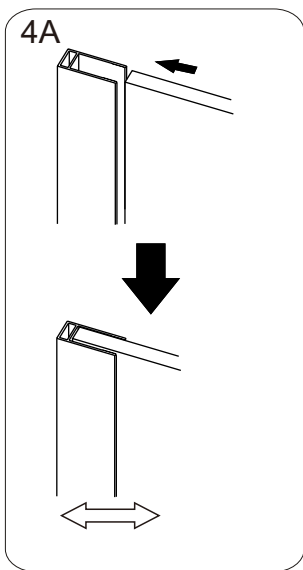
STAGE 3



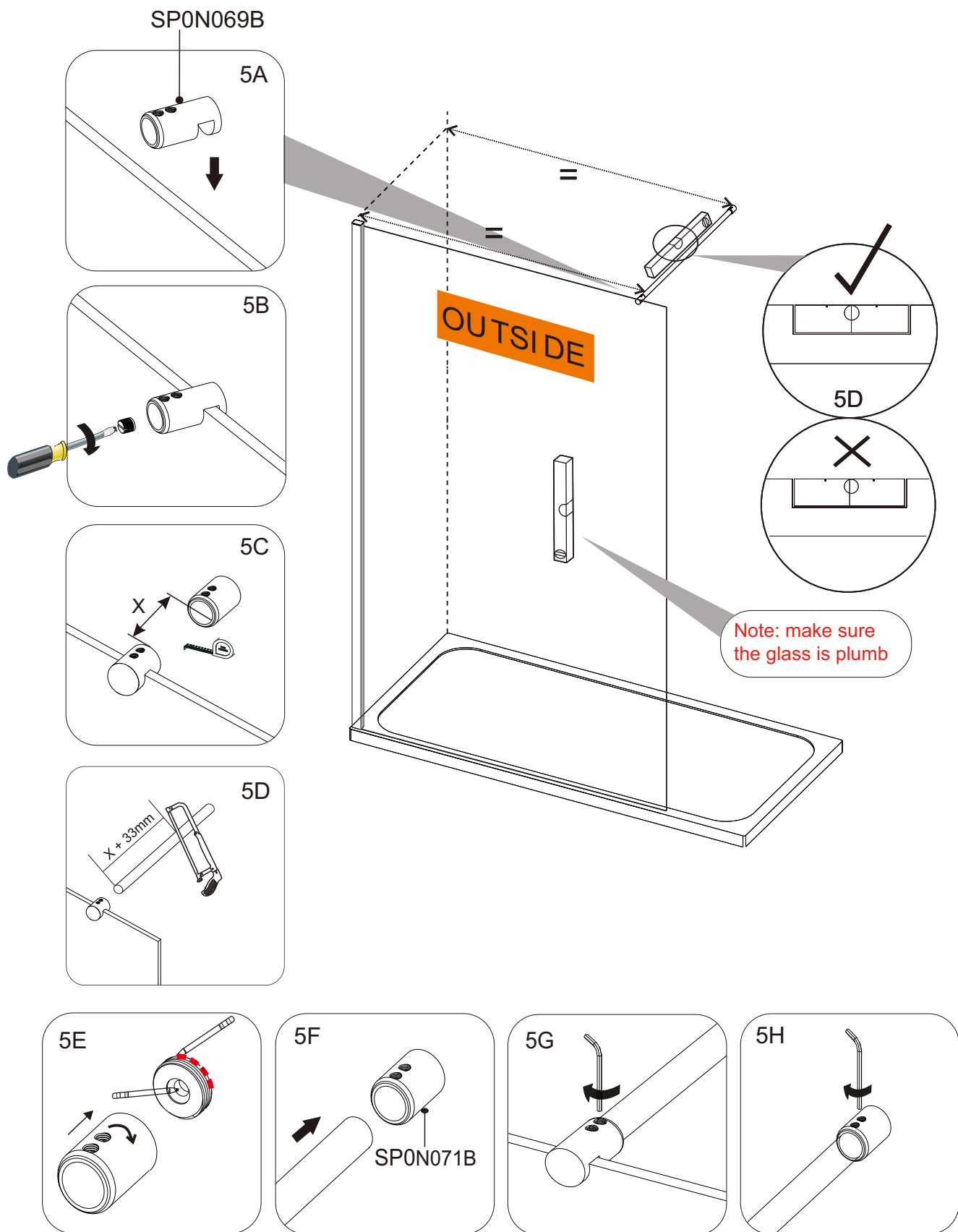
X = Max. 1000mm



STAGE 4

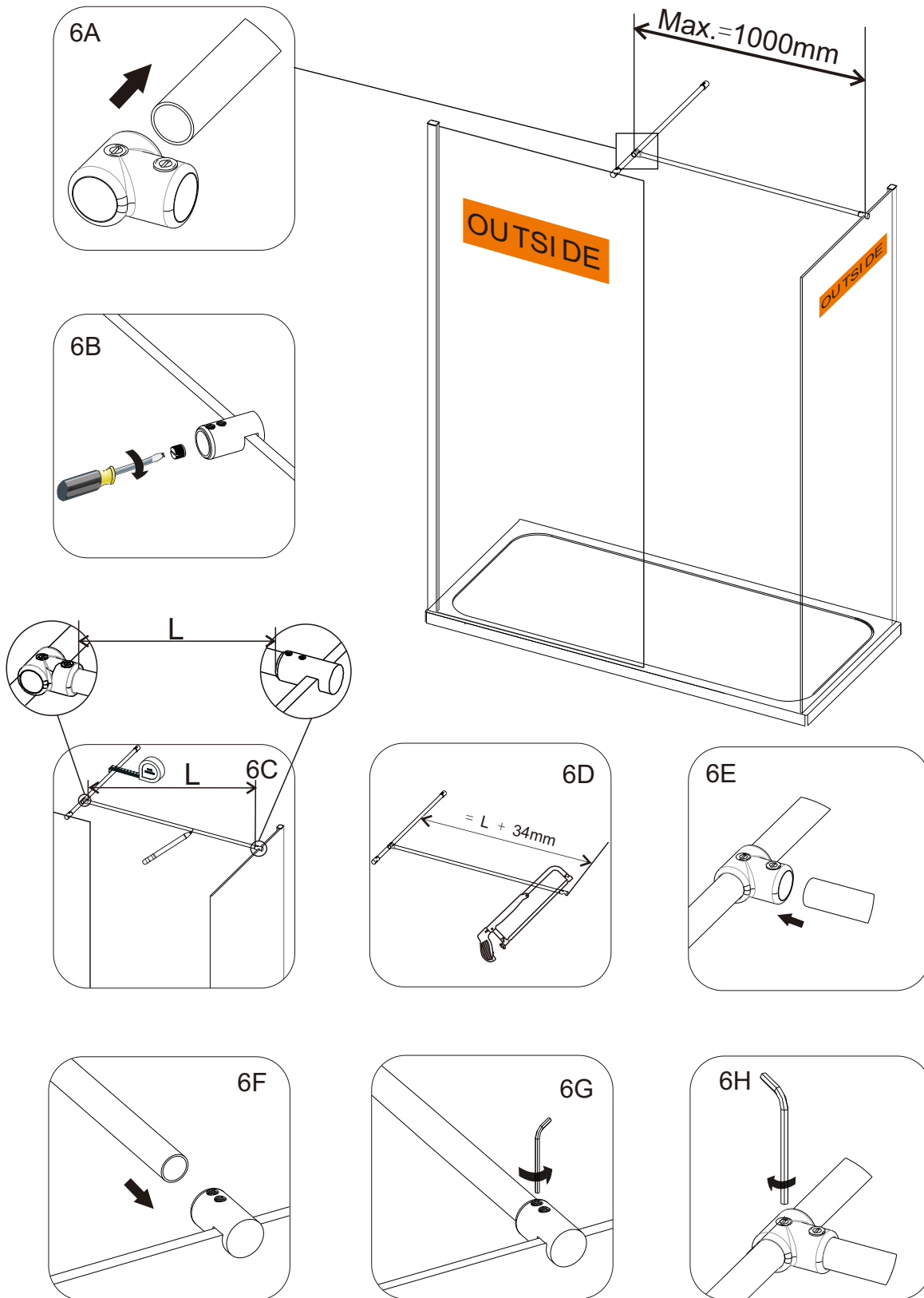


Shower wall



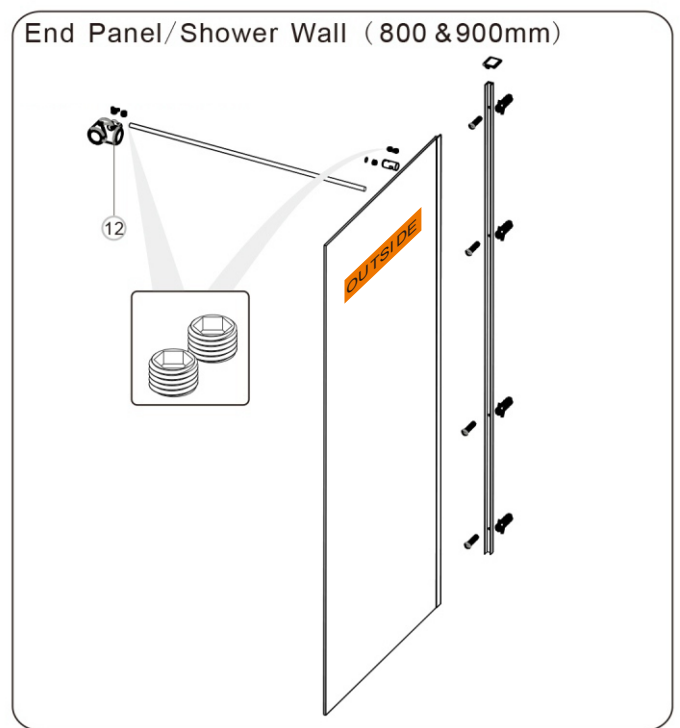
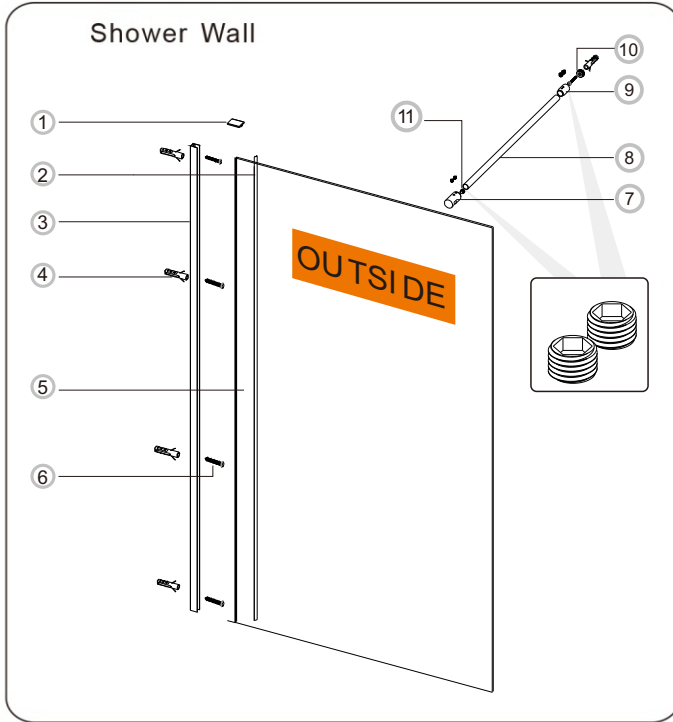
STAGE 6

End Panel



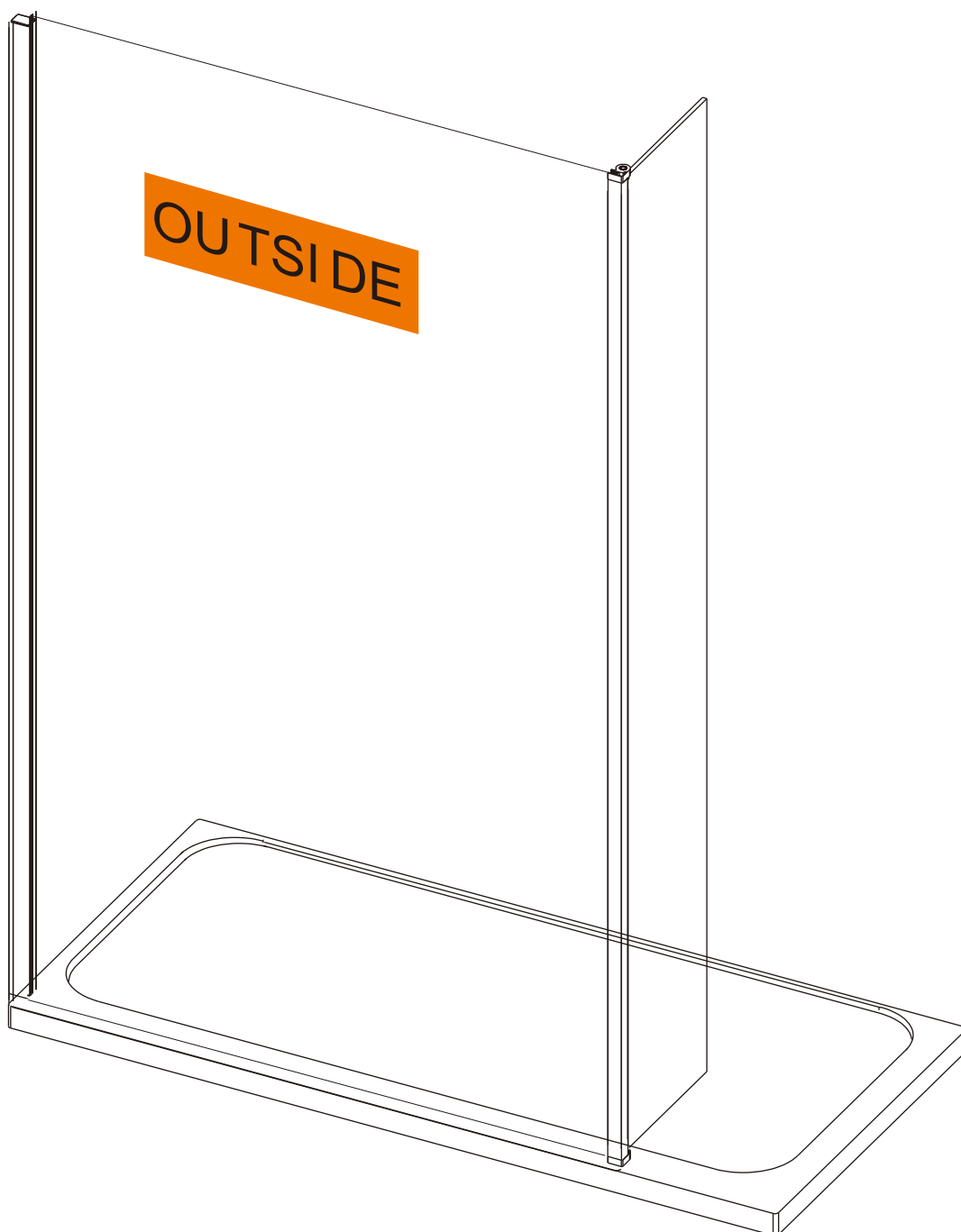
Note: For sealing guidelines go to last page

PARTS LIST

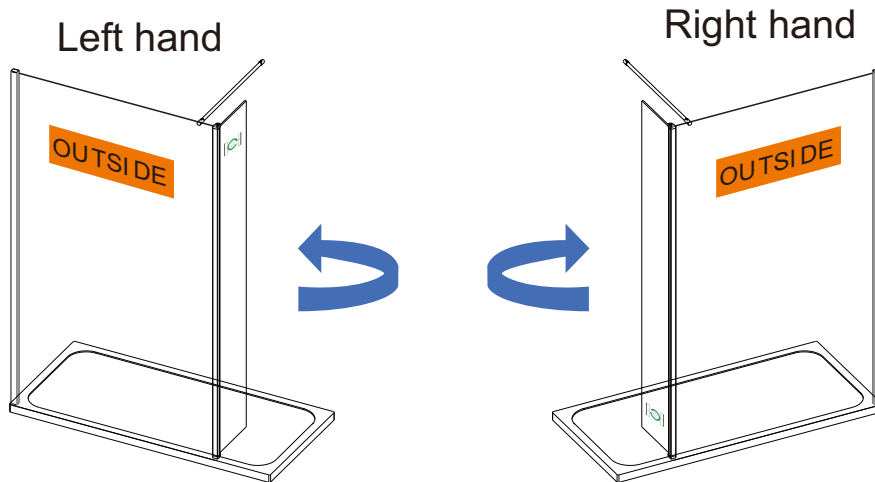


Item No.	Part List Description	Part Code	Black Shower Wall Size Variations				
			800	900	1000	1200	300
1	Wall profile Cover	A04S0028B	1	1	1	1	
2	Wedge gasket for fixed panel	A04S0016B	1	1	1	1	
3	Wall profile	A04S0027B	1	1	1	1	
4	Wall plug	SP02SP12	5	5	5	5	
5	Fixed panel - various size	N/A	1	1	1	1	
6	Round screw 4 x 30	SP02SY51	5	5	5	5	
7	Glass clip	SP0N069B	1	1	1	1	
8	Rail	SP0N068B	1	1	1	1	
9	Wall bracket	SP0N071B	1	1	1	1	
10	Screw nut in wall bracket	SP0N072B	1	1	1	1	
11	Grub screw with nylon tip	SP0N070	1	1	1	1	
12	Tshape bracket	A04S0010B	1	1			
13	Swivel panel -various size	N/A					1
14	Wedge gasket for swivel panel	A04S0013B					1
15	Bottom seal	A04S0015B					1

BLACK SWIVEL PANEL INSTALLATION GUIDE



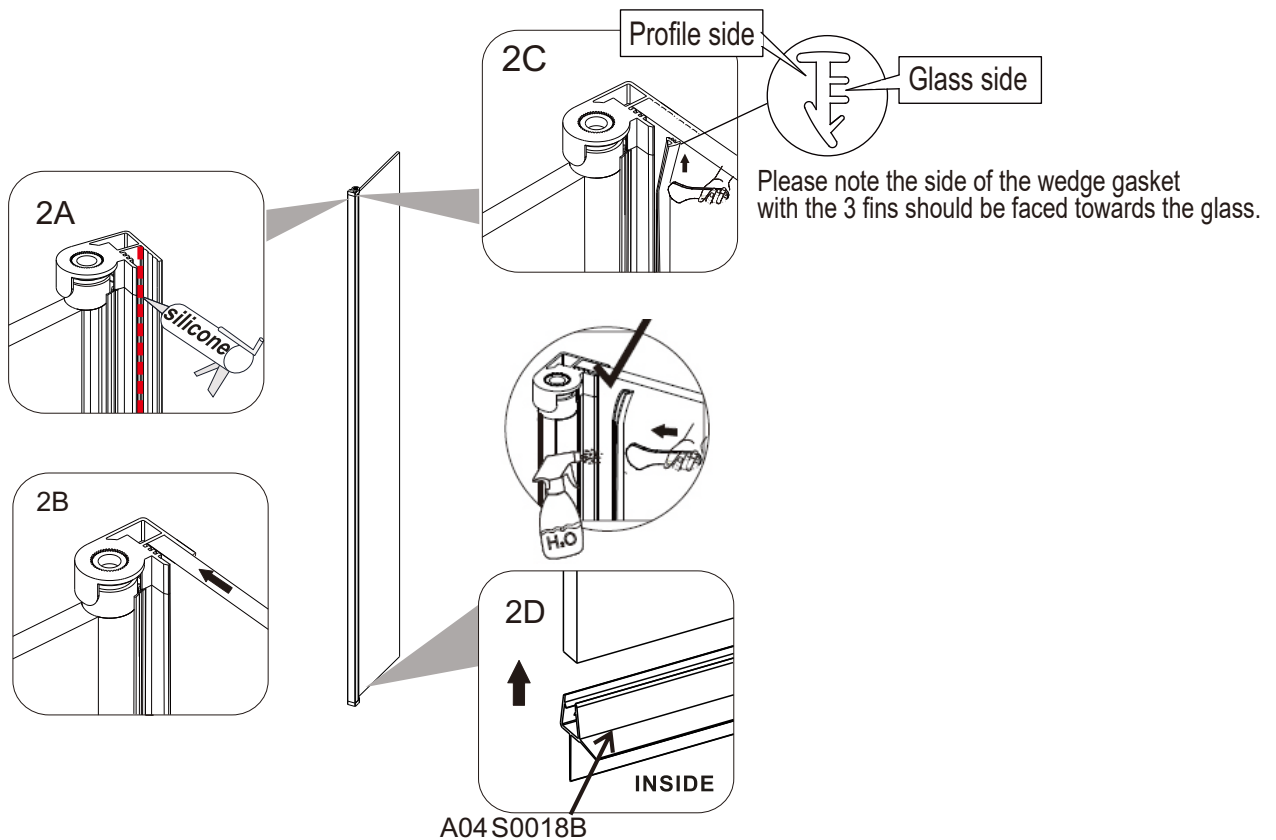
STAGE 1



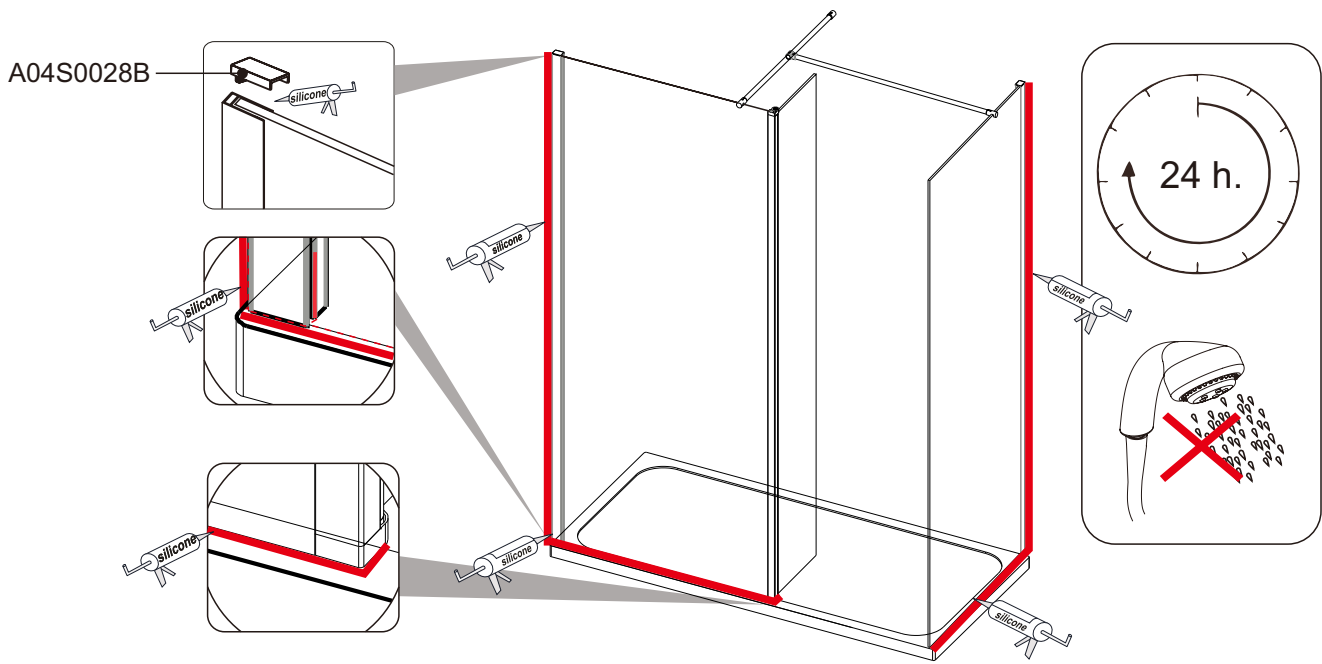
Remove swivel panel from packaging. Install the swivel panel in required orientation. Product is reversible and no brackets need to be removed to change handing.

NOTE: Ensure swivel panel swings inward across the tray area (as shown above). If swivel panel swings outward panel is installed in the incorrect handing.

STAGE 2

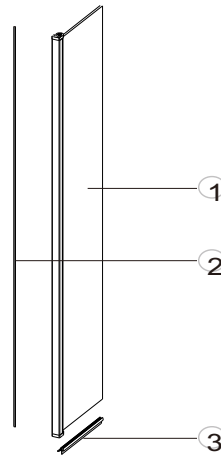


SEALING



PARTS LIST

Swivel Panel



Item No.	Part List Description	Part Code	Swivel Panel Size
			300
1	Swivel panel	N/A	1
2	Wedge gasket for swivel panel	A04S0013B	1
3	Bottom seal	A04S0018B	1