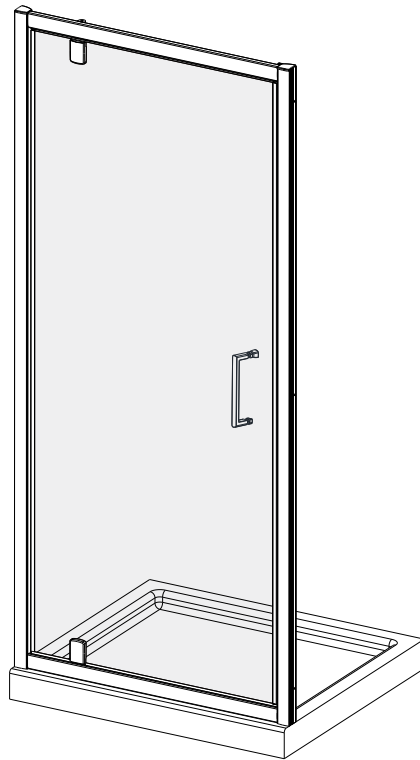


PIVOT DOOR INSTALLATION GUIDE



***Please read these instructions carefully and keep for future reference.
Incorrect fitting will invalidate the guarantee.***

SAFETY

- Handle glass with great care. Although the glass is very tough, sharp impacts can damage both the glass and metal frame.
- Make sure there are no hidden pipes or cables hidden in the wall where you intend to drill.
- Wear safety goggles, shoes and appropriate clothing.

BEFORE INSTALLATION

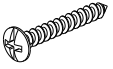
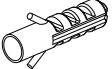

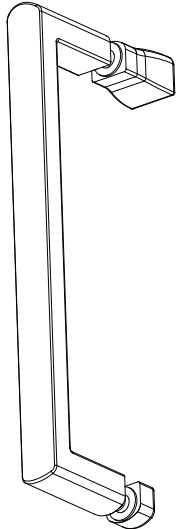


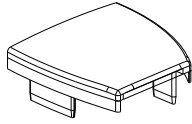
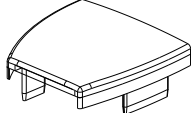
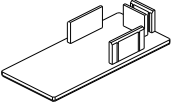
- Check that the shower tray is level in all directions. The enclosure will not sit correctly on an uneven surface. If uneven, the wall channels may not fit and the doors may not shut correctly.
- The enclosure should be fitted on tiled walls which are sealed with waterproof grout.
- There must be a good silicone seal between the rim of the shower tray and the wall.
- The shower tray and the enclosure must match in size. Attempting to fit the incorrect size of enclosure to the shower tray will result in water leaks.
- Always check very carefully that components are vertical.
- To avoid damage, use the opened out packaging to build the enclosure on.

Equipment needed:

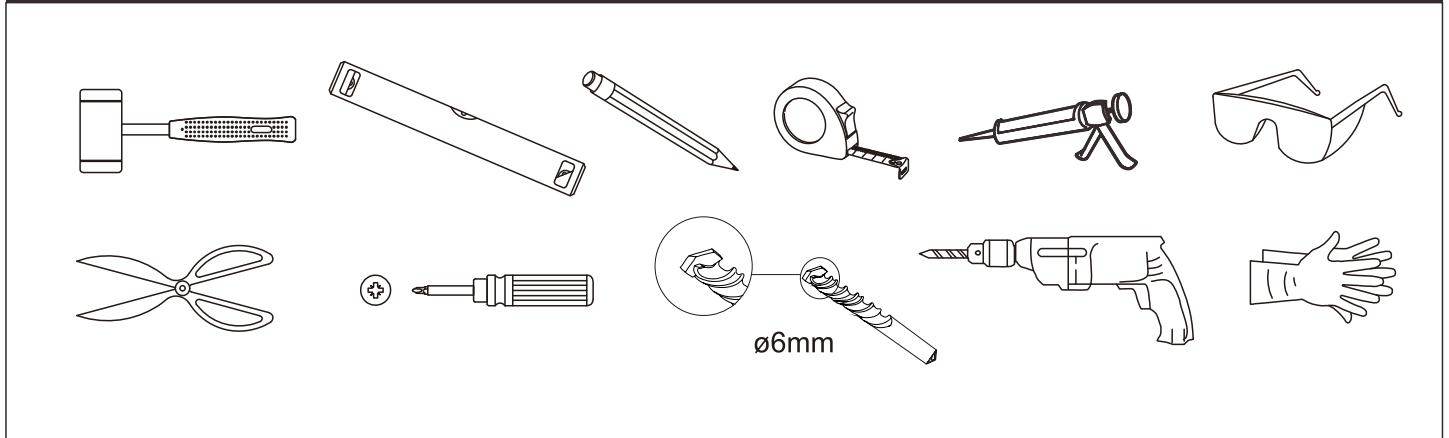
Drill, 6.0mm Masonry Bit, Crosshead PH2 Screwdriver, Spirit Level, Pencil, Tape Measure, Silicone Sealant.

Note: The screws and wall plugs supplied are for masonry walls. For lightweight walls i.e. stud partition, plasterboard etc, use the correct type of fixings.

FIXING KIT COMPONENTS

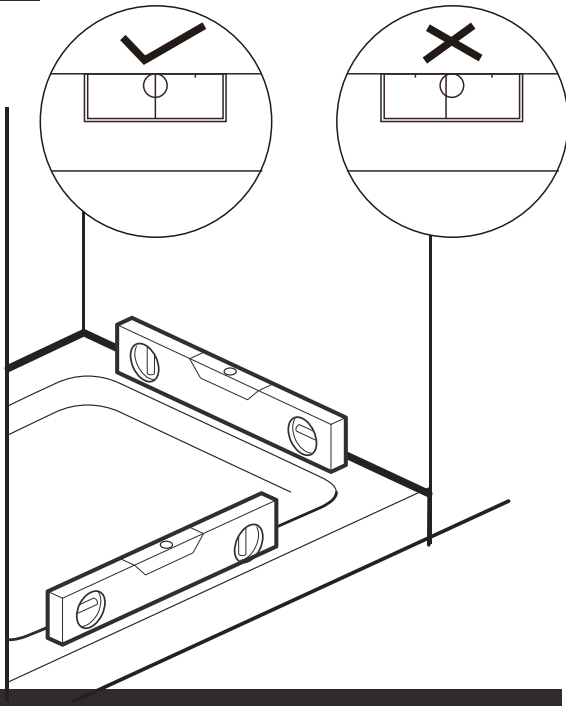
<p>6</p>  <p>A2403001</p>	<p>6</p>  <p>SP02SP12</p>	<p>6</p>  <p>A2401201</p>	 <p>1</p> <p>SP0B08072</p>
<p>1</p>  <p>SP0B08068</p>	<p>1</p>  <p>SP0B08092</p>	<p>1</p>  <p>SP0B08150</p>	
<p>1</p>  <p>SP0B08151</p>	<p>2</p>  <p>SP0B08152</p>		

TOOLS REQUIRED

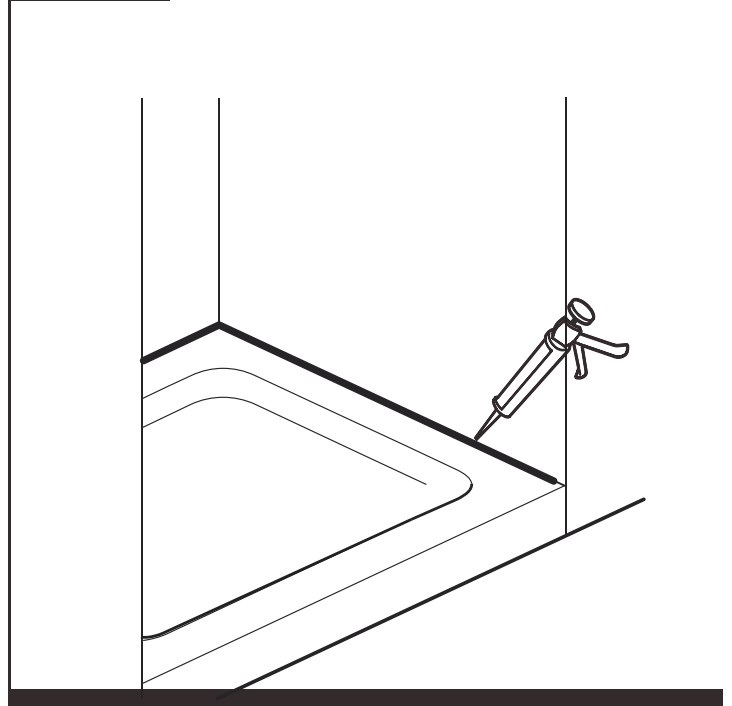


PIVOT DOOR CODE	DOOR SIZE IN MM	OVERALL ADJUSTMENT IN RECESS MM
TN8P80	800	730-790
TN8P90	900	830-890

STAGE 1

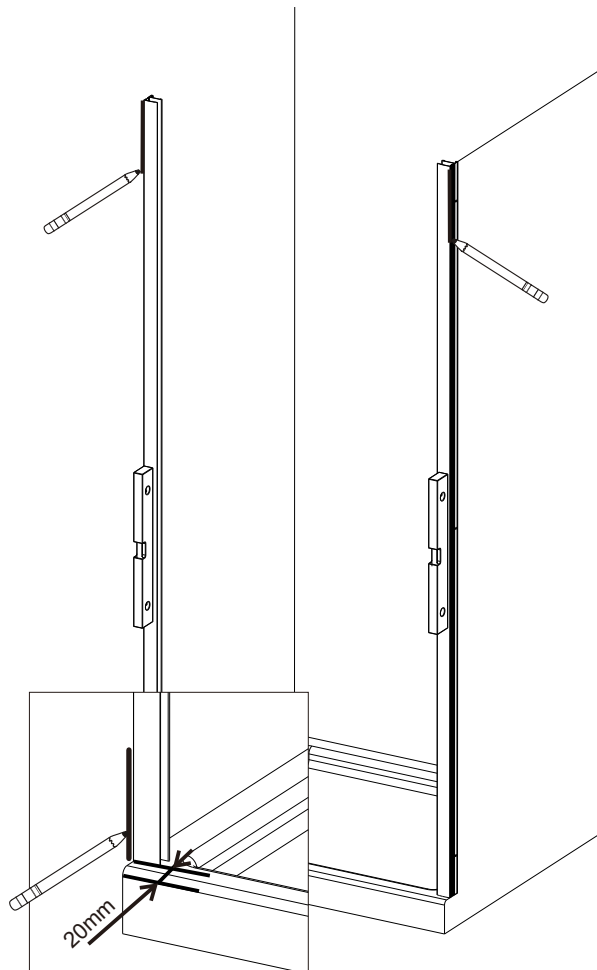
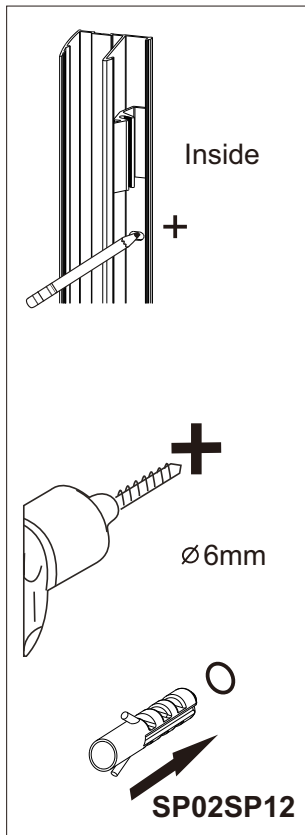


STAGE 2



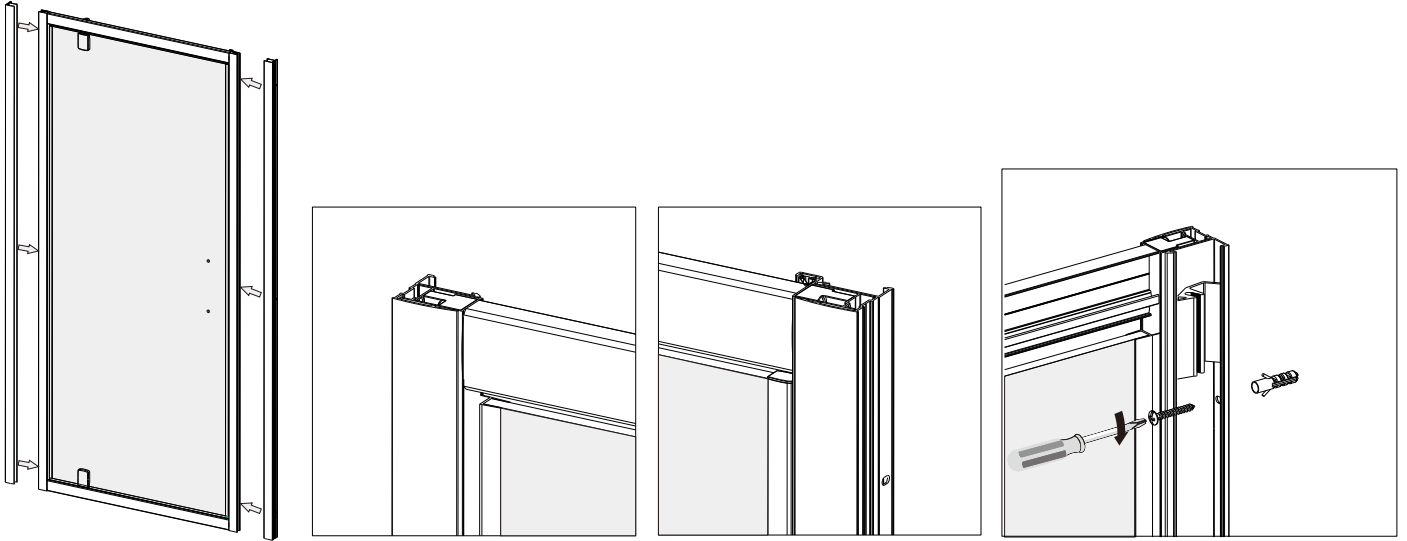
STAGE 3

Step in the wall profiles 20mm. Ensure the wall profiles are plumb. Mark the position for fixing the wall profile to the wall. Drill with 6mm Masonry drill bit and insert wall plug **SP02SP12**



STAGE 4

Fit both wall profiles onto the frame, then lift the frame onto the tray. Keep side of profile with fixing holes to the inside, fix both profiles with 30mm screws A2403001.

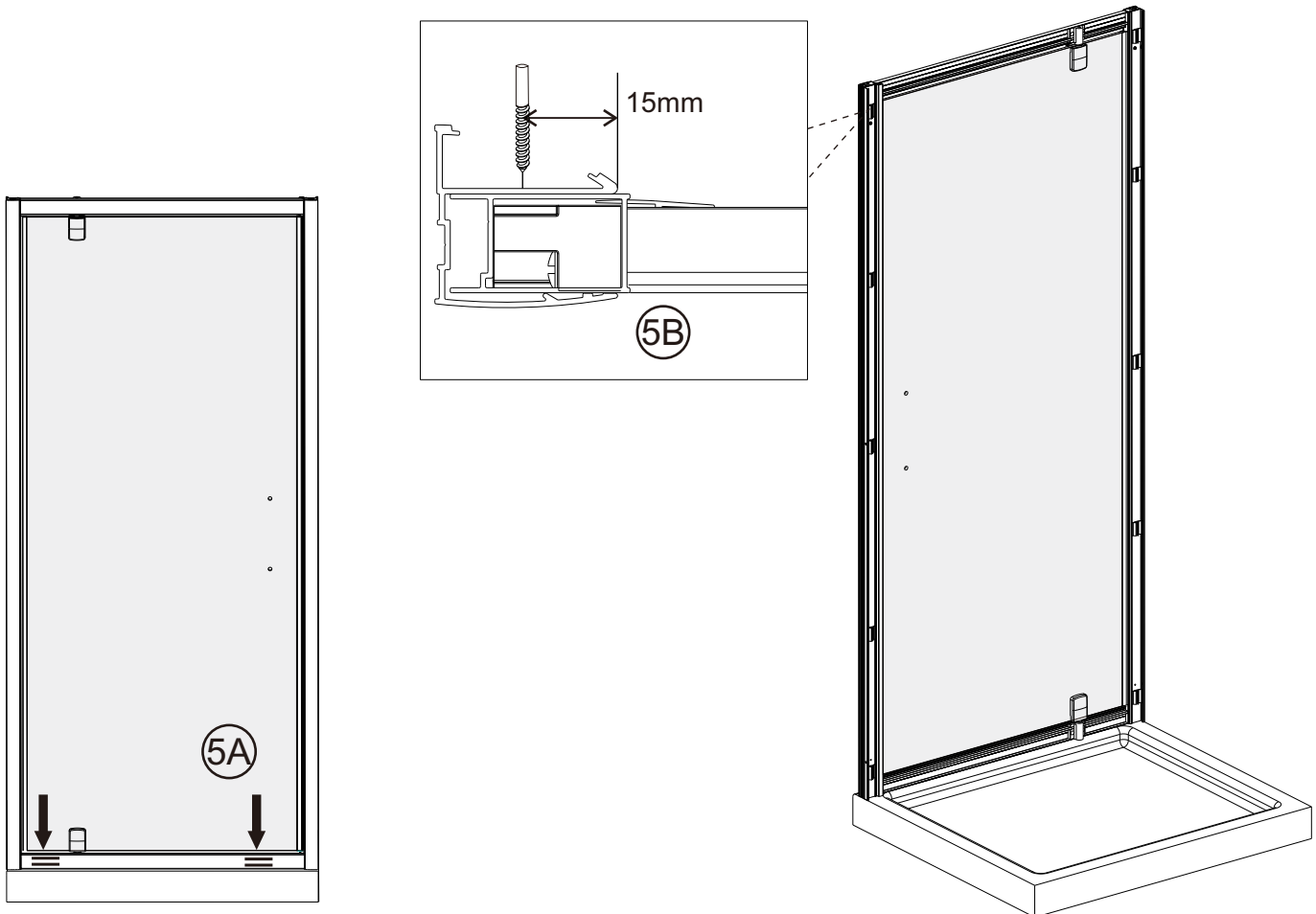


STAGE 5

Ensure there is an equal gap between the bottom of the door and the frame(5A).

Drill 3 equally spaced holes with 3mm drill bit through the wall profile and frame(5B).

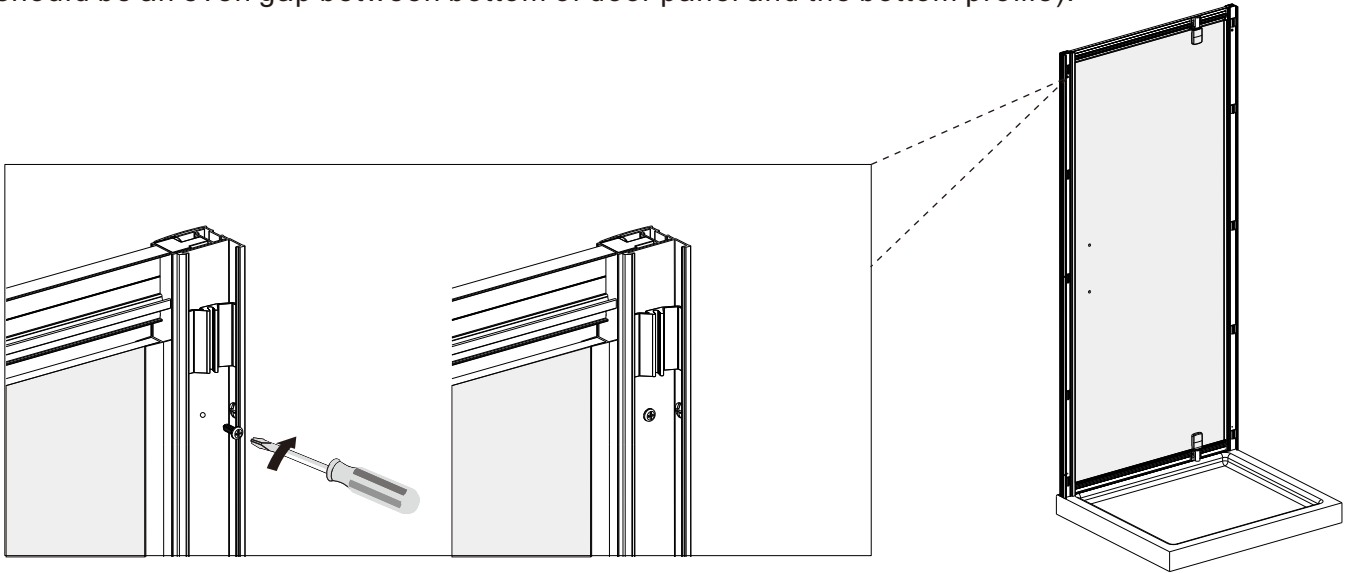
IMPORTANT: Ensure minimum of 15mm from the front edge of the frame (see picture below).



STAGE 6

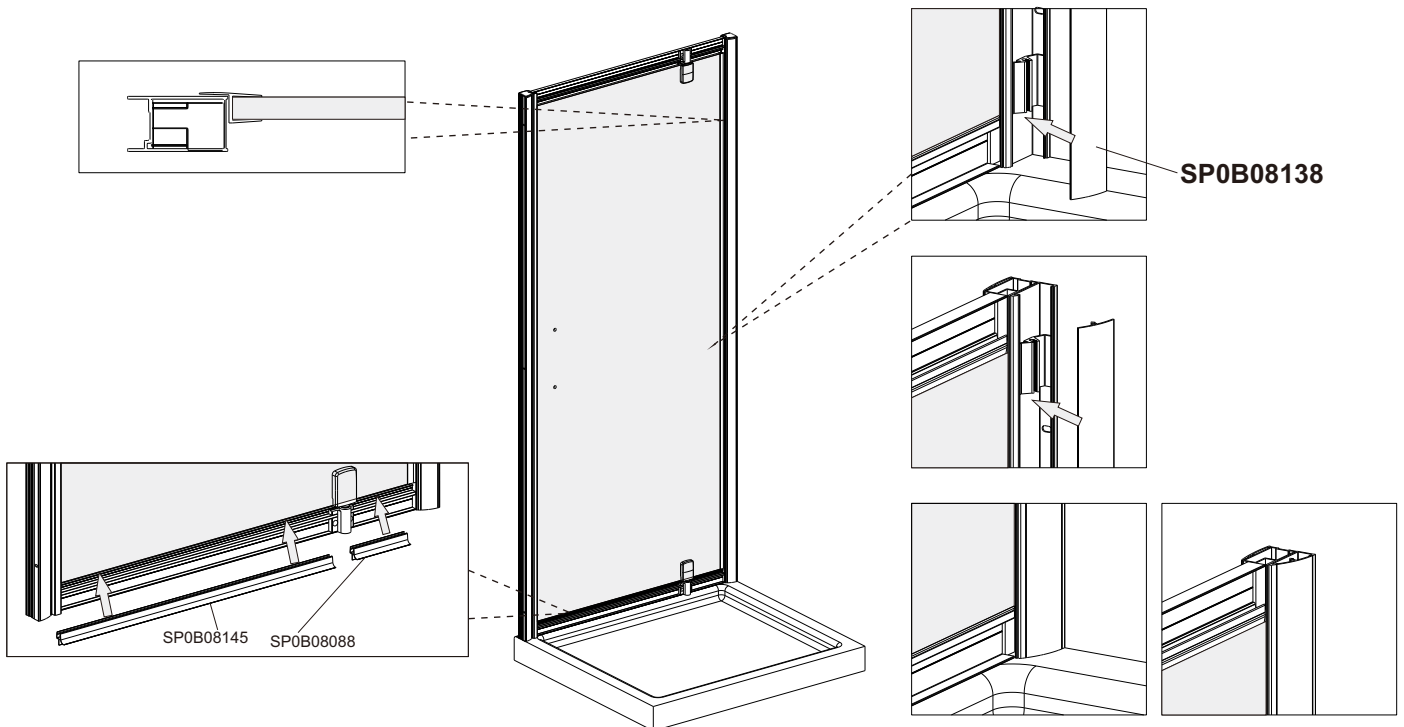
Fix the frame with screws **A2401201**.

IMPORTANT: Ensure frame is 100% square and the door closes square in the frame (should be an even gap between bottom of door panel and the bottom profile).



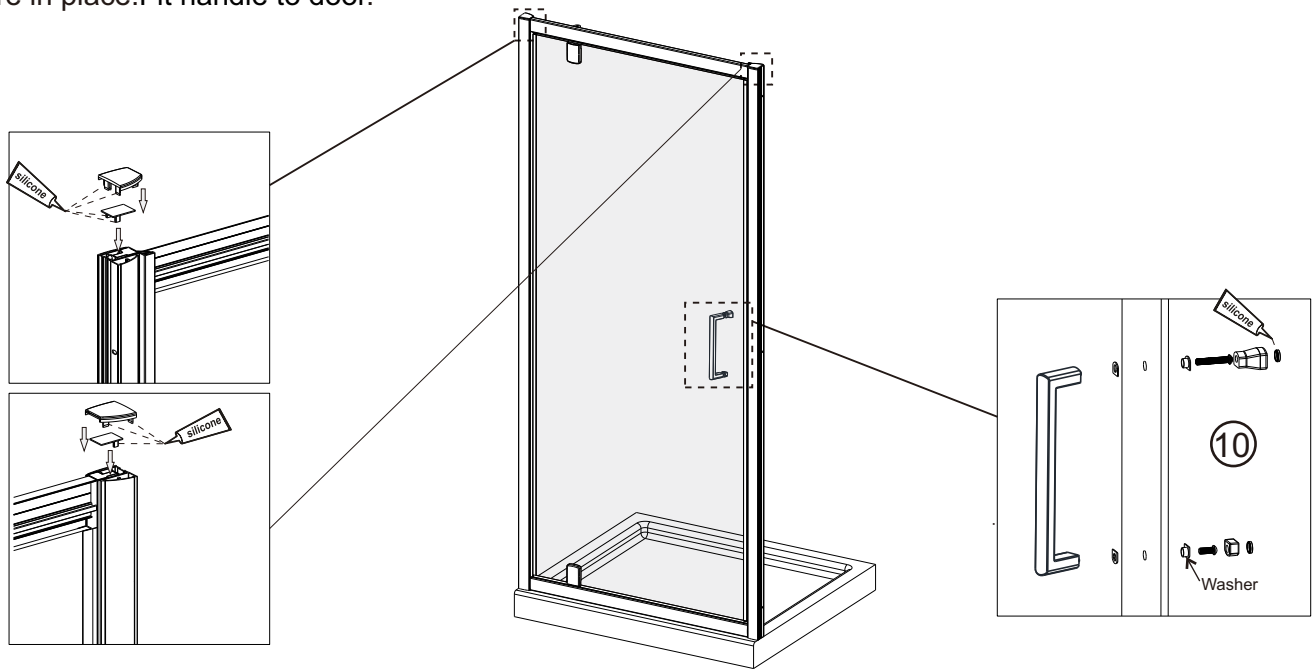
STAGE 7

Push on upright seal to back of moving panel, keeping fin to inside. Attach the cover strip **SP0B08138** to the wall profile. Fit bottom seal (SP0B08145/SP0B08088).



STAGE 8

Insert wall profile covercaps **SP0B08150/SP0B08151** followed by the upright profile covercaps **SP0B08152**. Place a dab of silicone on the cover cap legs to secure in place. Fit handle to door.



STAGE 9

Use a quality silicone sealant to seal the finished door. Seal joints between the upright profiles and the bottom rail.

Sealing Inside Seal top to bottom on the **INSIDE** between the wall profile and the wall.

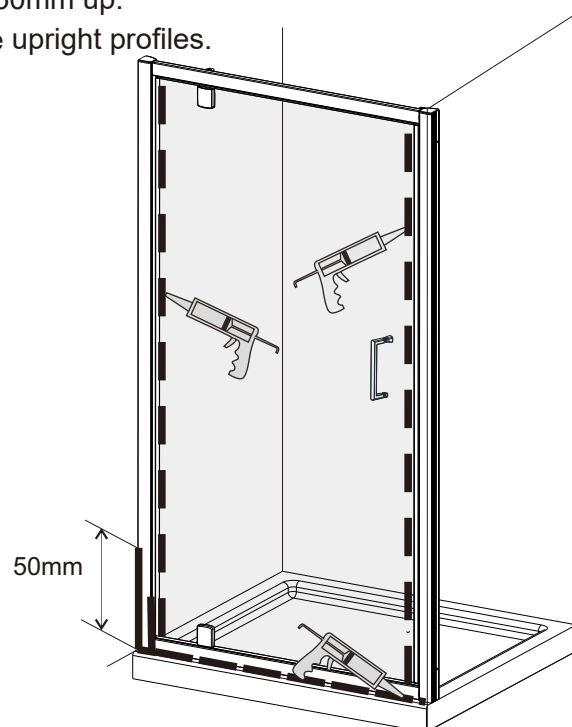
Note: Do not apply sealant on inside of tray.

Sealing Outside

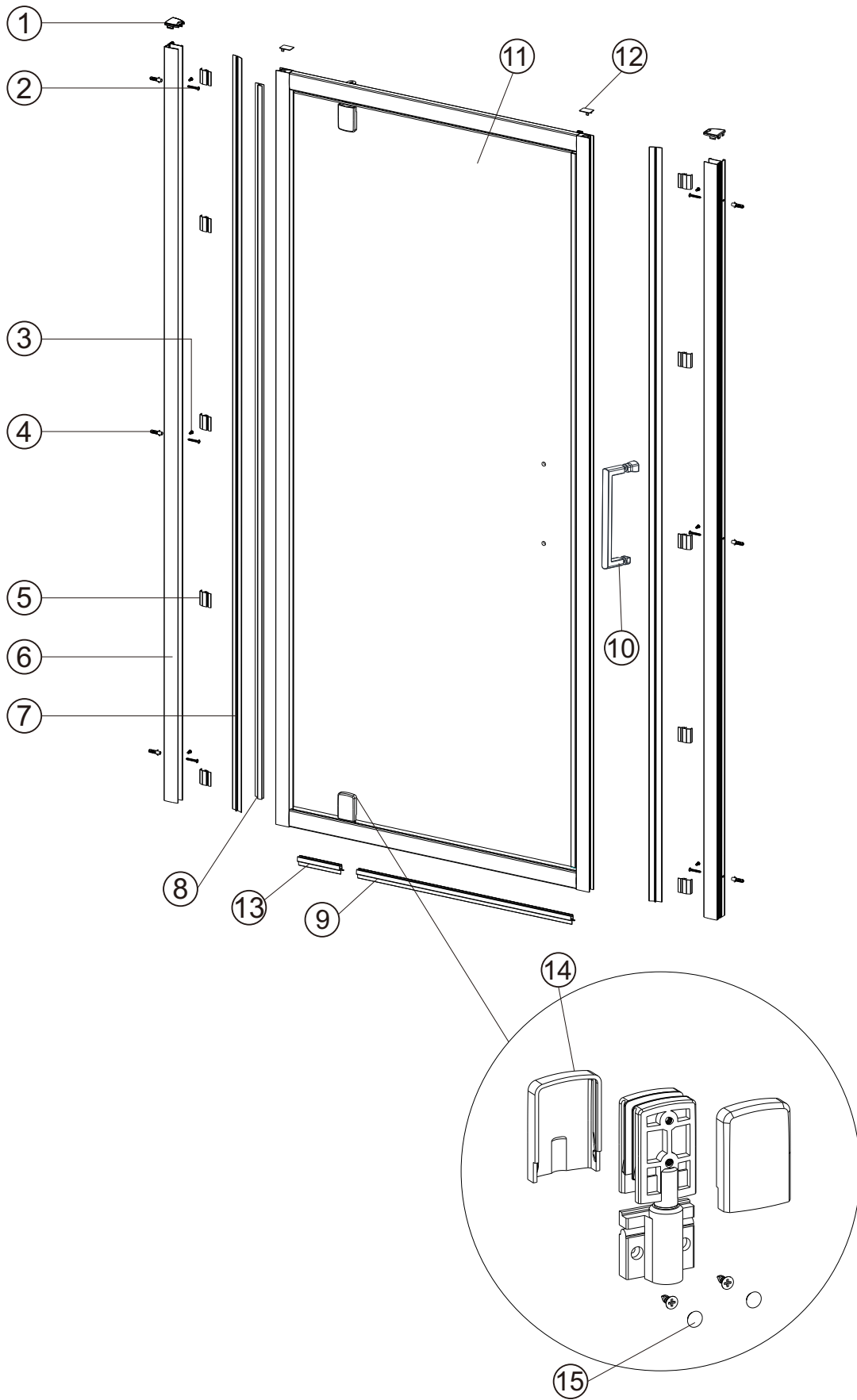
Seal only along bottom rail on the **OUTSIDE** between profile and the tray and approx 50mm up between the wall profile and the wall.

Seal also where wall profile and frame profile overlap 50mm up.

Seal also the joints between the bottom profile and the upright profiles.

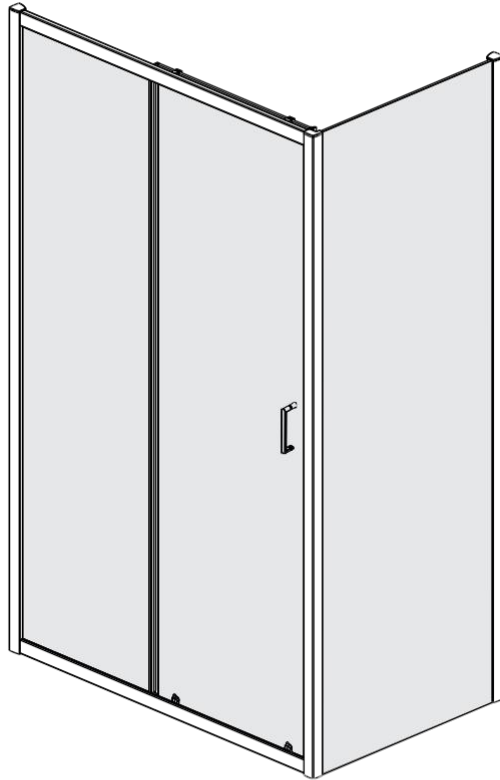


PARTS LIST



Item No.	Part List Description	Part Code	Pivot Door Size Variations	
			800	900
1	Cover cap for wall profile L/R	SP0B08150/ SP0B08151	2	2
2	Screw ST4x30	A2403001	6	6
3	Flat head screw ST4x12	A2401201	6	6
4	Wall plug	SP02SP12	6	6
5	Coverstrip clip	SP0B08147	10	10
6	Wall profile	SP0B08135	2	2
7	Cover Strip	SP0B08138	2	2
8	Upright water seal for fixed panel	SP0B08048	1	1
9	Bottom seal long	SP0B08145	1	1
10	Handle	SP0B08072	1	1
11	Fixed panel-various size	N/A	1	1
12	Cover cap for upright profile	SP0B08152	2	2
13	Bottom seal short	SP0B08088	1	1
14	Front & back cover caps	SP0B08093	2	2
15	Screw cover caps	SP0B08069	2	2

SIDE PANEL INSTALLATION GUIDE



***Please read these instructions carefully and keep for future reference.
Incorrect fitting will invalidate the guarantee.***

Note: Instructions show fitting of a side panel with a sliding door as an example only. This side panel can be fitted with any Series door.

SAFETY

- Handle glass with great care. Although the glass is very tough, sharp impacts can damage both the glass and metal frame.
- Make sure there are no hidden pipes or cables hidden in the wall where you intend to drill.
- Wear safety goggles, shoes and appropriate clothing.

BEFORE INSTALLATION




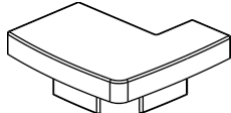
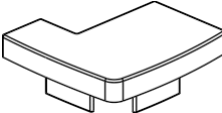
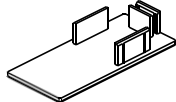
- Check that the shower tray is level in all directions. The enclosure will not sit correctly on an uneven surface. If uneven, the wall channels may not fit and the doors may not shut correctly.
- The enclosure should be fitted on tiled walls which are sealed with waterproof grout.
- There must be a good silicone seal between the rim of the shower tray and the wall.
- The shower tray and the enclosure must match in size. Attempting to fit the incorrect size of enclosure to the shower tray will result in water leaks.
- Always check very carefully that components are vertical.
- To avoid damage, use the opened out packaging to build the enclosure on.

Equipment needed:

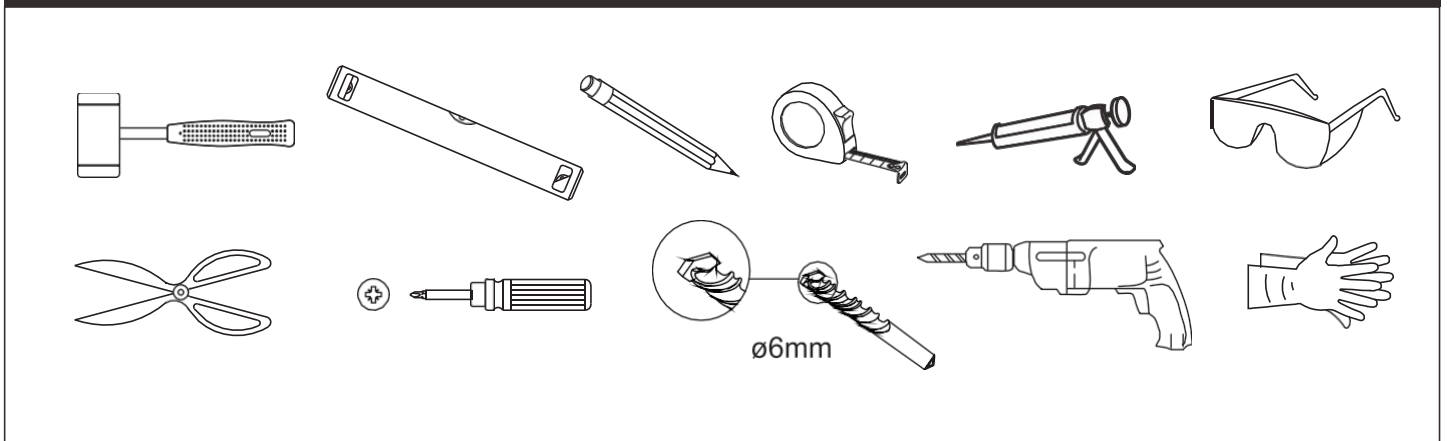
Drill, 6.0mm Masonry Bit, Crosshead PH2 Screwdriver, Spirit Level, Pencil, Tape Measure, Silicone Sealant.

Note: The screws and wall plugs supplied are for masonry walls. For lightweight walls i.e. stud partition, plasterboard etc, use the correct type of fixings.

FIXING KIT COMPONENTS

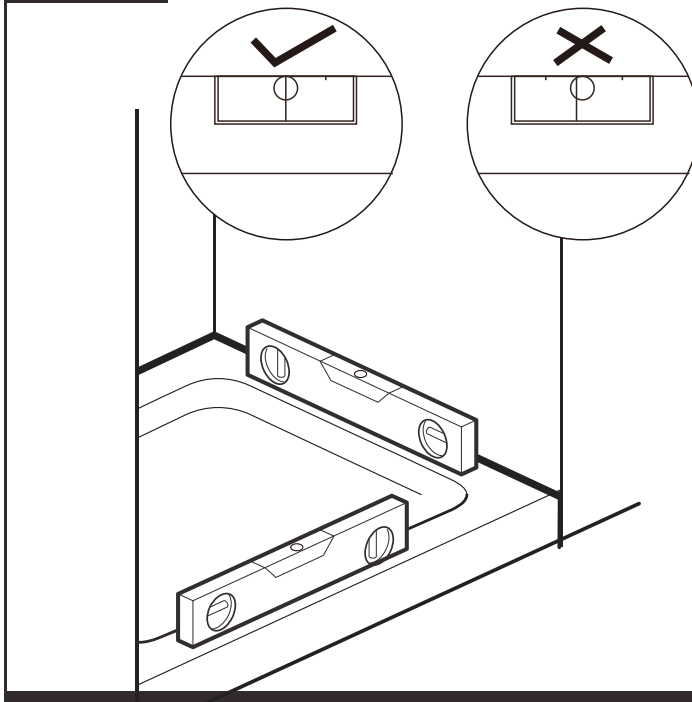
<p>3</p>  <p>A2401201</p>	<p>3</p>  <p>SP0A309</p>	<p>3</p>  <p>SP0A308</p>
<p>1</p>  <p>SP0B08148</p>	<p>1</p>  <p>SP0B08149</p>	<p>1</p>  <p>SP0B08152</p>

TOOLS REQUIRED

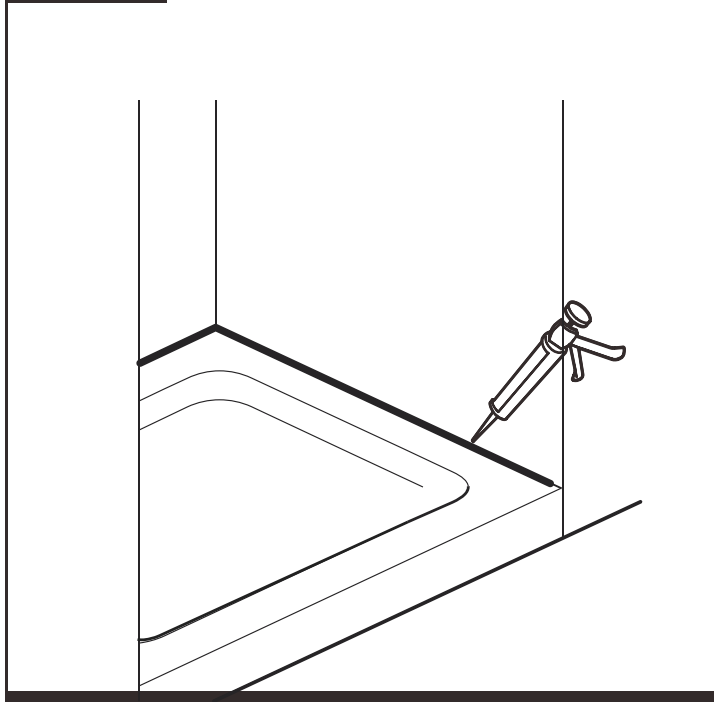


SIDE PANEL CODE	PANEL SIZE IN MM	OVERALL ADJUSTMENT IN MM
TN8SP76	760	720 -750
TN8SP80	800	760 -790
TN8SP90	900	860 -890

STAGE 1



STAGE 2



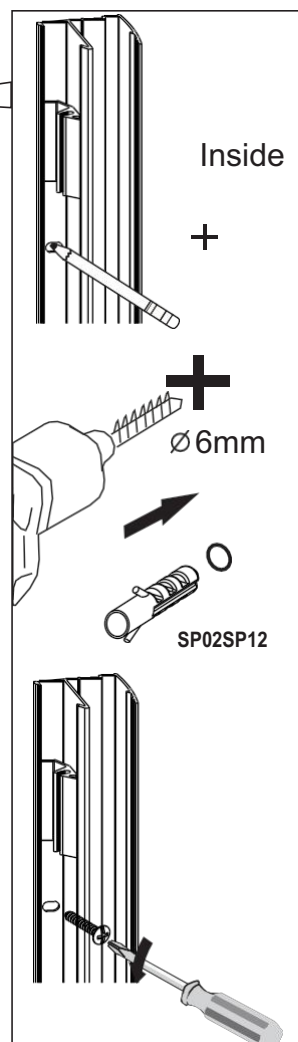
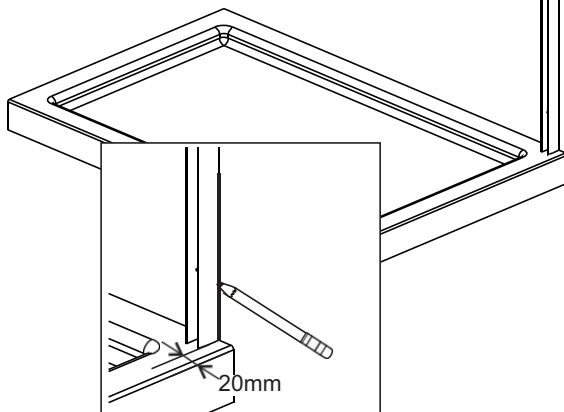
STAGE 3

Step wall profile in 20mm from edge of tray and plumb. Make sure fixing holes are to the inside. Mark wall through slots in profile.

Note: For installation of the pivot door, bifold door or sliding door, please see the door instruction manual.

If fitting with a sliding door it is recommended to have the moving panel closing against the side panel. (See Stage 4).

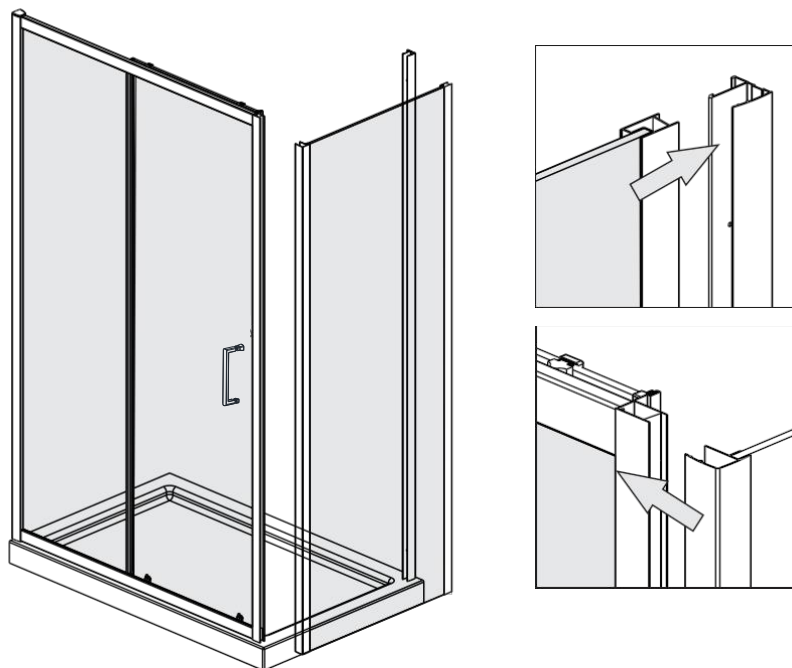
Drill holes using 6mm bit and insert wall plugs.



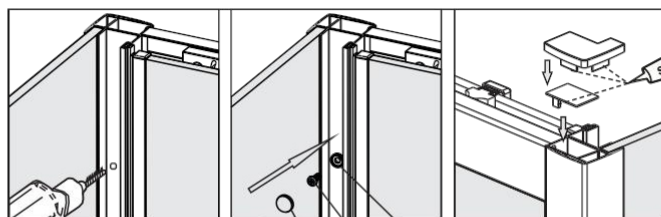
Fix the wall profile to the wall with screws A2403001.

STAGE 4

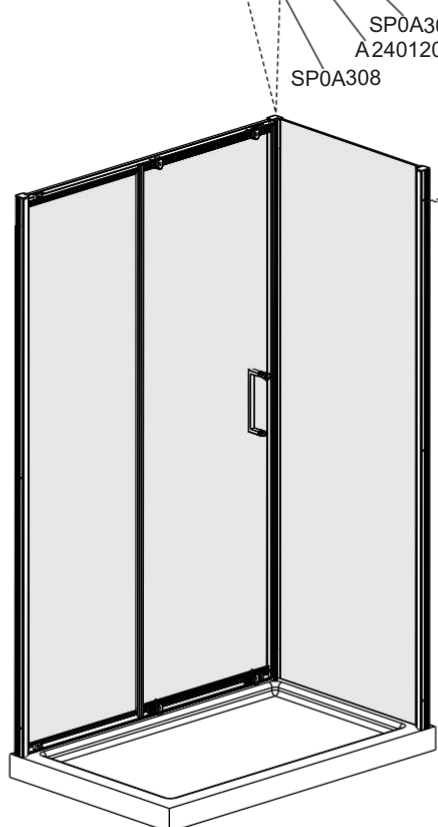
Insert the side panel into the wall profile and also into the frame of the sliding door.
Adjust so it is positioned correctly on the tray.



STAGE 5

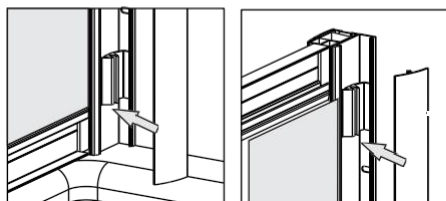
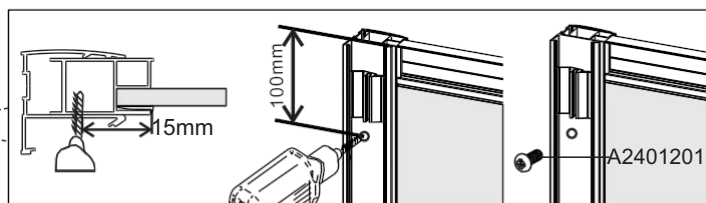


Drill 3 equally spaced holes with 3mm drill bit through the upright profile, corner profile.
Fix the frame with screw clip, screws and screw cap.
Then fix the upright profile cover and corner profile cover.
Place a dab of silicone on the cover cap legs to secure in place.

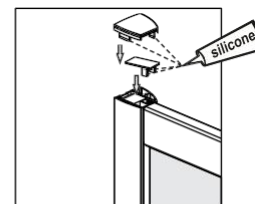
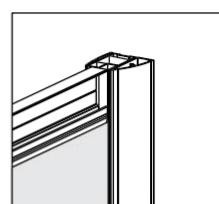
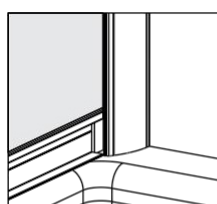


SP0A309
A2401201
SP0A308

Drill 3 equally spaced holes with 3mm drill bit through the wall profile and frame.
Fix the frame with screws.

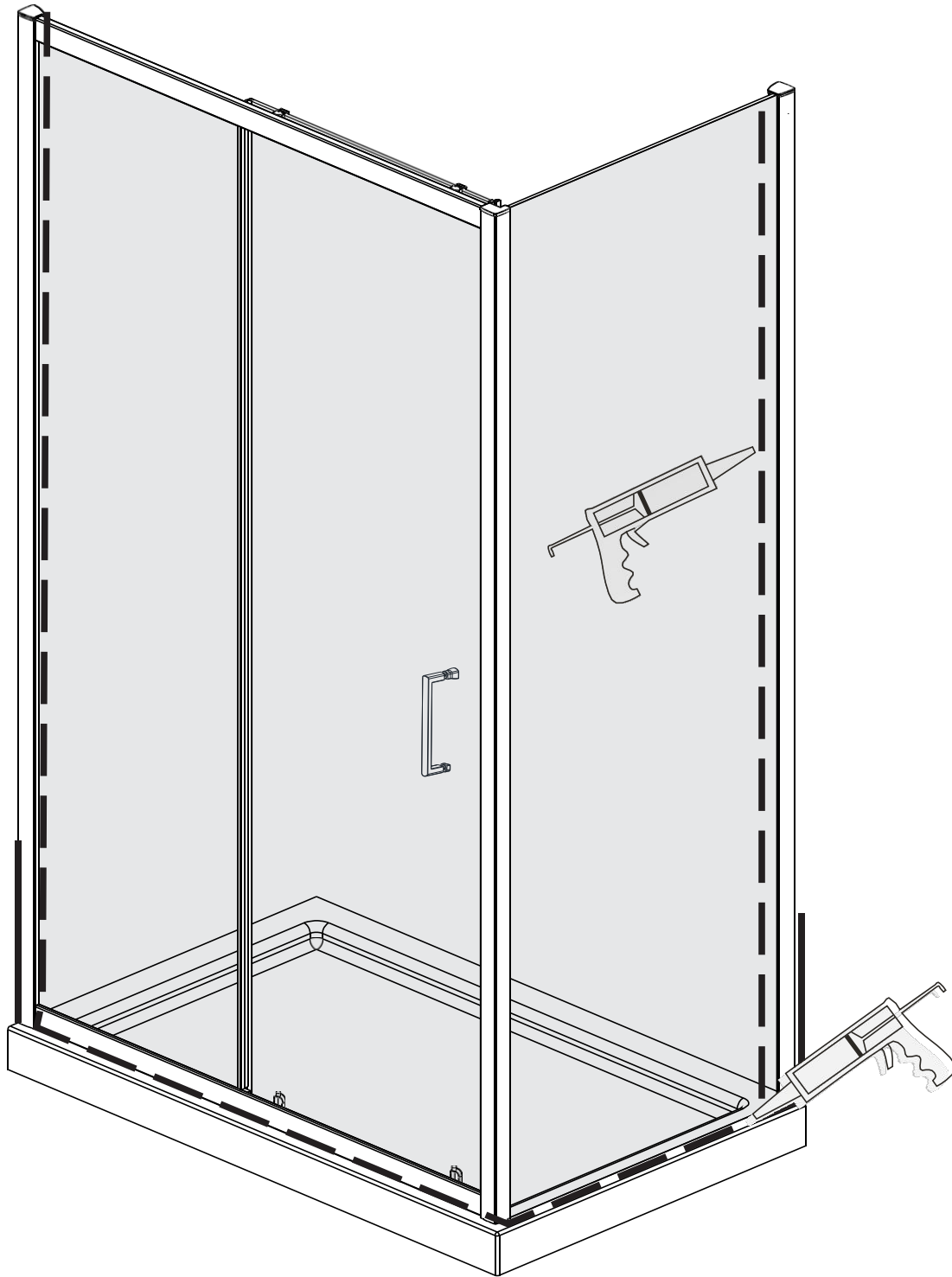


Attach the cover strip
SP0B08138 to the
wall profile.



Insert wall profile covercaps followed
by the upright profile cover caps.
Place a dab of silicone on the cover
cap legs to secure in place.

STAGE 6



Use a quality silicone sealant to seal the finished door.

Sealing Inside

Seal top to bottom on the **INSIDE** between the wall profile and the wall.

Note: Do not apply sealant on inside of tray.

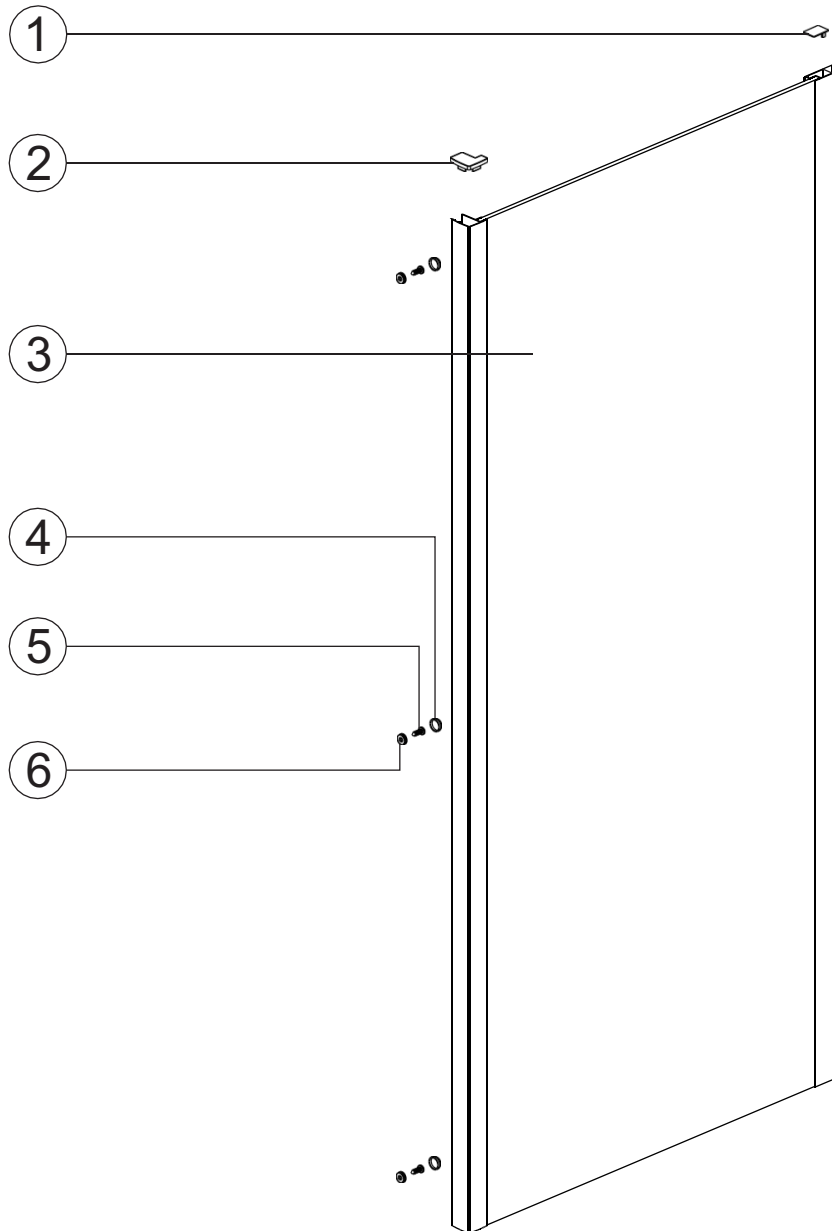
Sealing Outside

Seal only along bottom rail on the **OUTSIDE** between profile and the tray and approx 50mm up between the wall profile and the wall.

Seal also where bottom profile and frame profile overlap 50mm up.



PARTS LIST



Item No.	Part List Description	Part Code	Side Panel Size Variations		
			760	800	900
1	Cover cap for upright profile	SP0B08152	1	1	1
2	Corner post profile cover L/R	SP0B08148 / SP0B08149	1	1	1
3	Fixed panel -various size	N/A	1	1	1
4	Screw cap	SP0A308	3	3	3
5	Corner profile screw ST4x12	A2401201	3	3	3
6	Screw clip	SP0A309	3	3	3