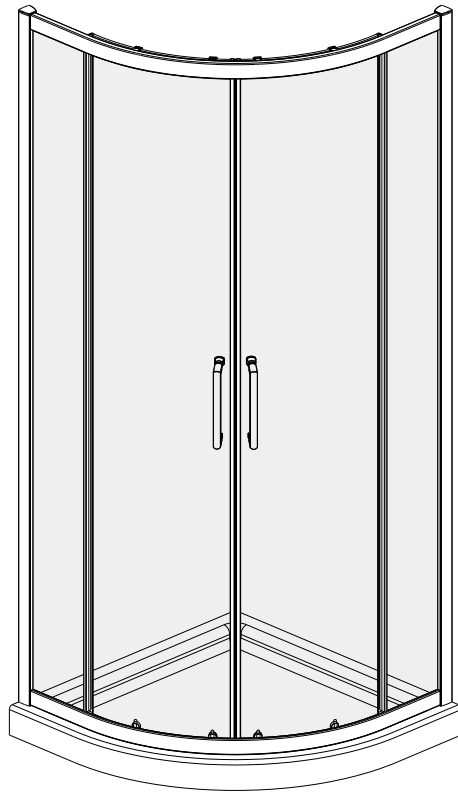


# TWO DOOR QUADRANT INSTALLATION GUIDE



***Please read these instructions carefully and keep for future reference.  
Incorrect fitting will invalidate the guarantee.***

## SAFETY

- Handle glass with great care. Although the glass is very tough, sharp impacts can damage both the glass and metal frame.
- Make sure there are no hidden pipes or cables hidden in the wall where you intend to drill.
- Wear safety goggles, shoes and appropriate clothing.

## BEFORE INSTALLATION

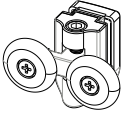
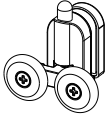
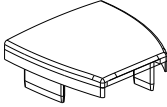
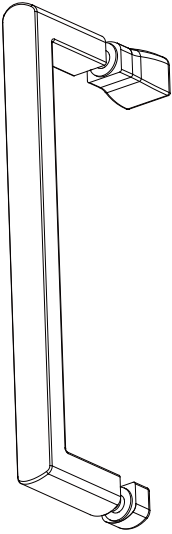
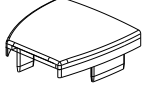

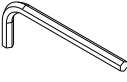
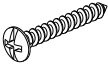

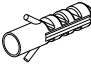
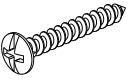
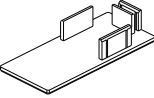

- Check that the shower tray is level in all directions. The enclosure will not sit correctly on an uneven surface. If uneven, the wall channels may not fit and the doors may not shut correctly.
- The enclosure should be fitted on tiled walls which are sealed with waterproof grout.
- There must be a good silicone seal between the rim of the shower tray and the wall.
- The shower tray and the enclosure must match in size. Attempting to fit the incorrect size of enclosure to the shower tray will result in water leaks.
- Always check very carefully that components are vertical.
- To avoid damage, use the opened out packaging to build the enclosure on.

### **Equipment needed:**

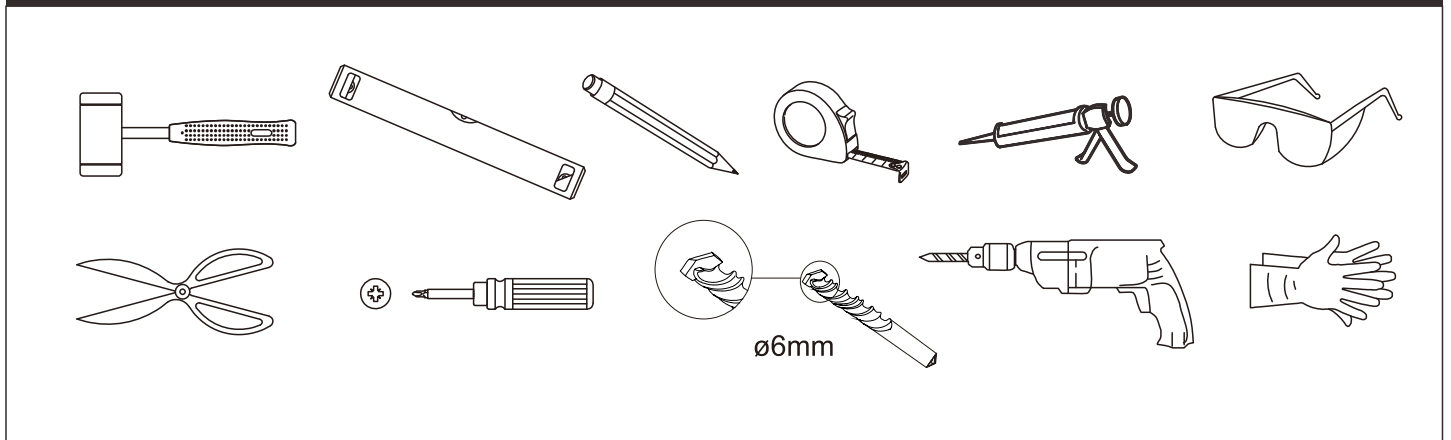
Drill, 6.0mm Masonry Bit, Crosshead PH2 Screwdriver, Spirit Level, Pencil, Tape Measure, Silicone Sealant.

**Note:** The screws and wall plugs supplied are for masonry walls. For lightweight walls i.e. stud partition, plasterboard etc, use the correct type of fixings.

## FIXING KIT COMPONENTS

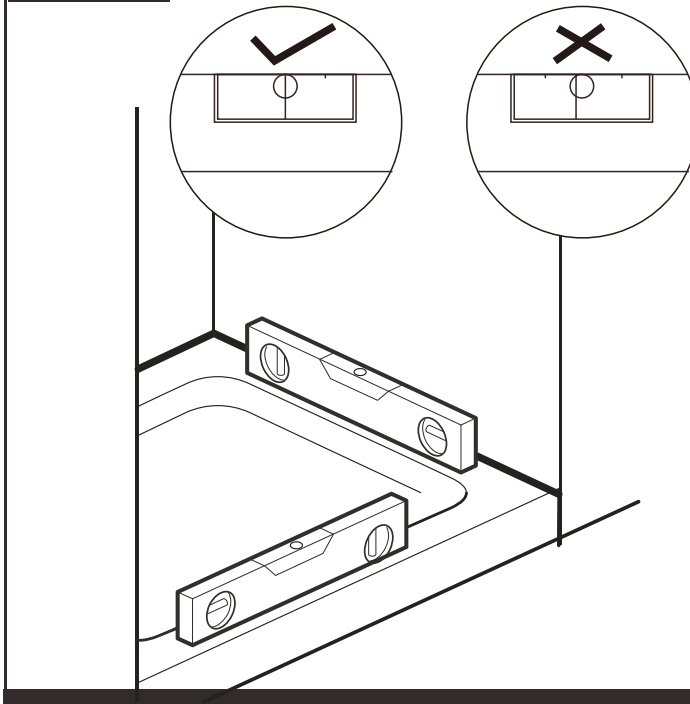
4	 SP0B08074	4	 SP0B08075	1	 SP0B08150	 2 SP0B08072
1	 SP0B08151	1	 SP0B08092	1	 SP0B08068	
6	 A2403001	6	 A2401201	6	 SP02SP12	
8	 SP0B08129	2	 SP0B08152	4	 SP0B08069	

## TOOLS REQUIRED

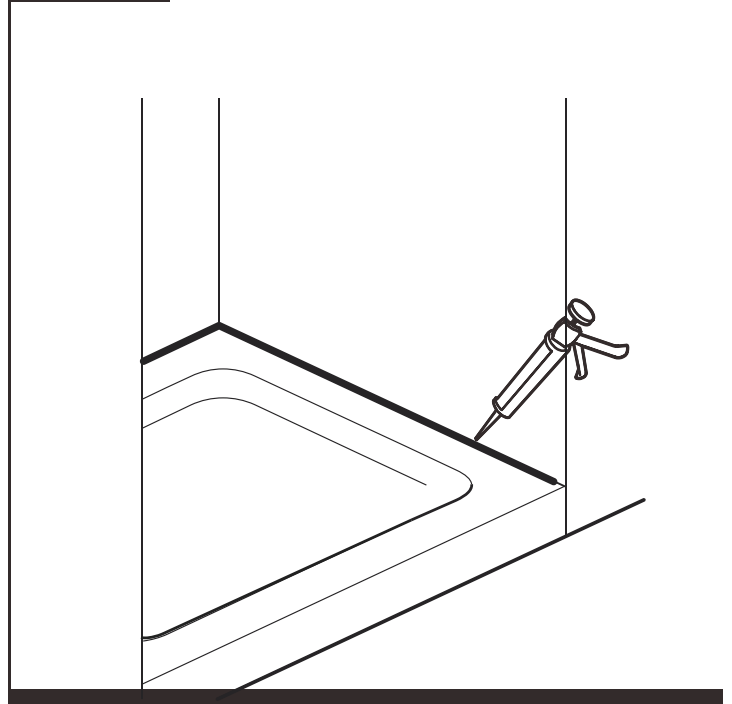


TWO DOOR QUADRANT CODE	DOOR SIZE IN MM	OVERALL ADJUSTMENT IN MM
TN82Q90	900x900	850-880

### STAGE 1

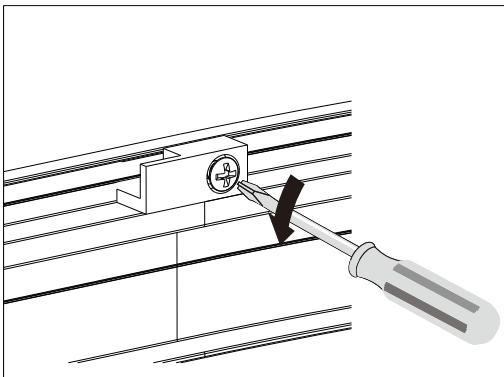


### STAGE 2



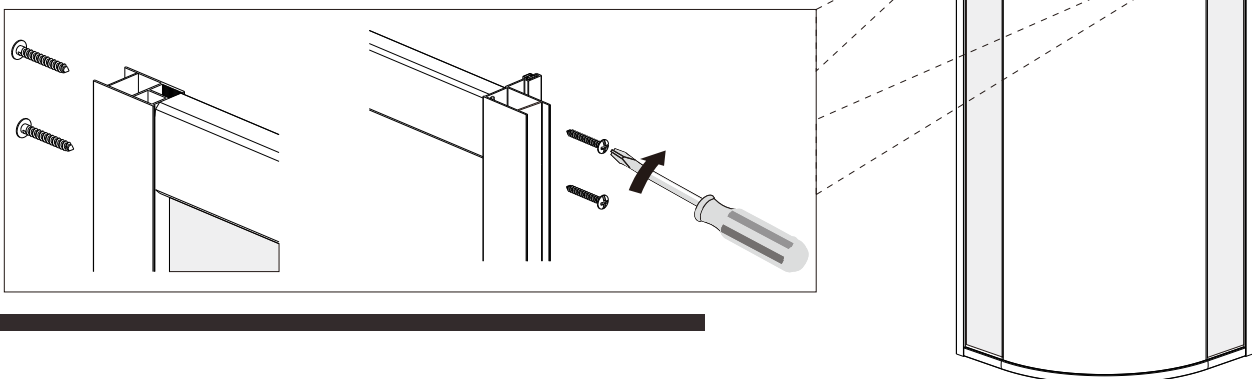
### STAGE 3

Loosen fixed glass panel clip. Do not remove the screw.



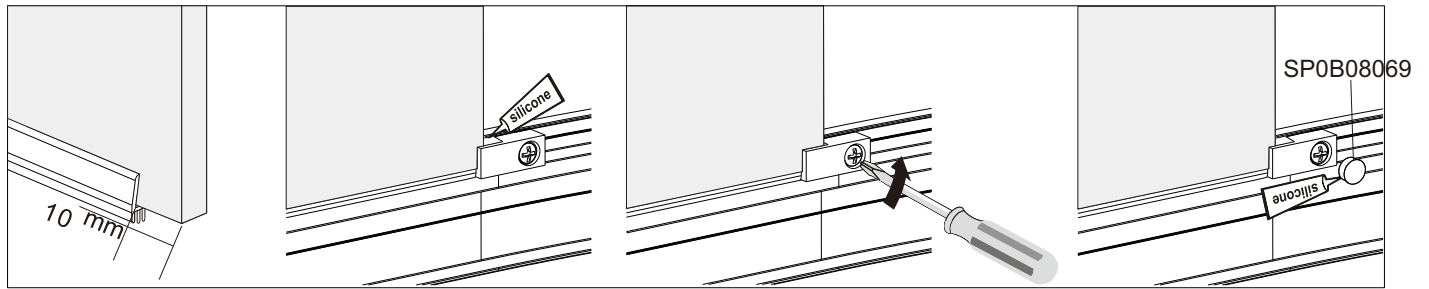
### STAGE 4

Fix the two fixed panels and upright profiles to the top and bottom rail, using SP0B08129 screw



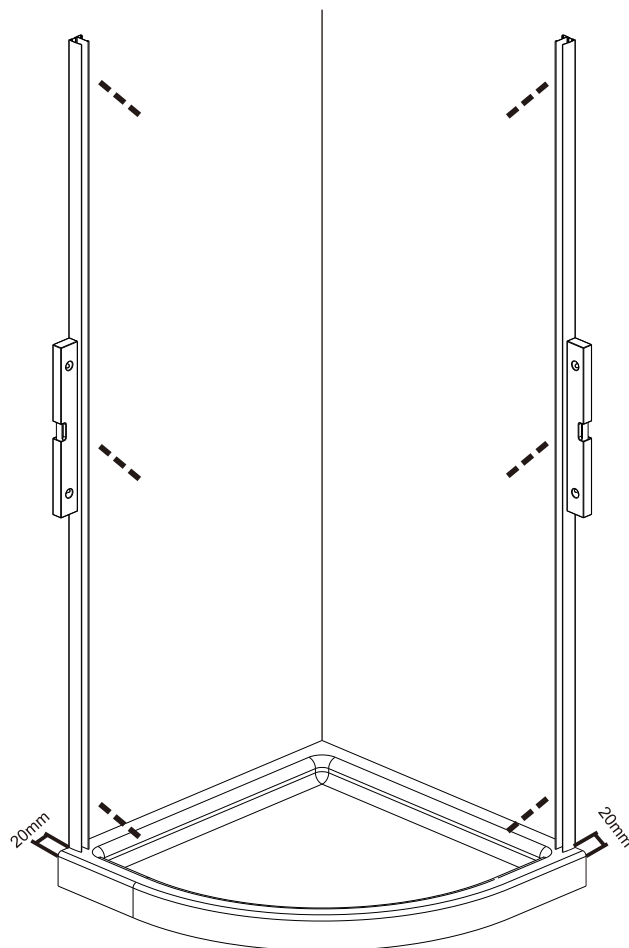
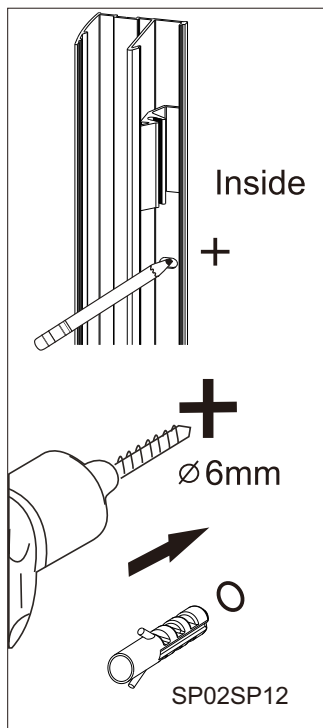
## STAGE 5

Put a dab of silicone in the corner between glass panel and fixed clip to the bottom when sliding the clip under the glass and back into position. Ensure bottom seal is present on glass, remove small corner protector/seal if present.



## STAGE 6

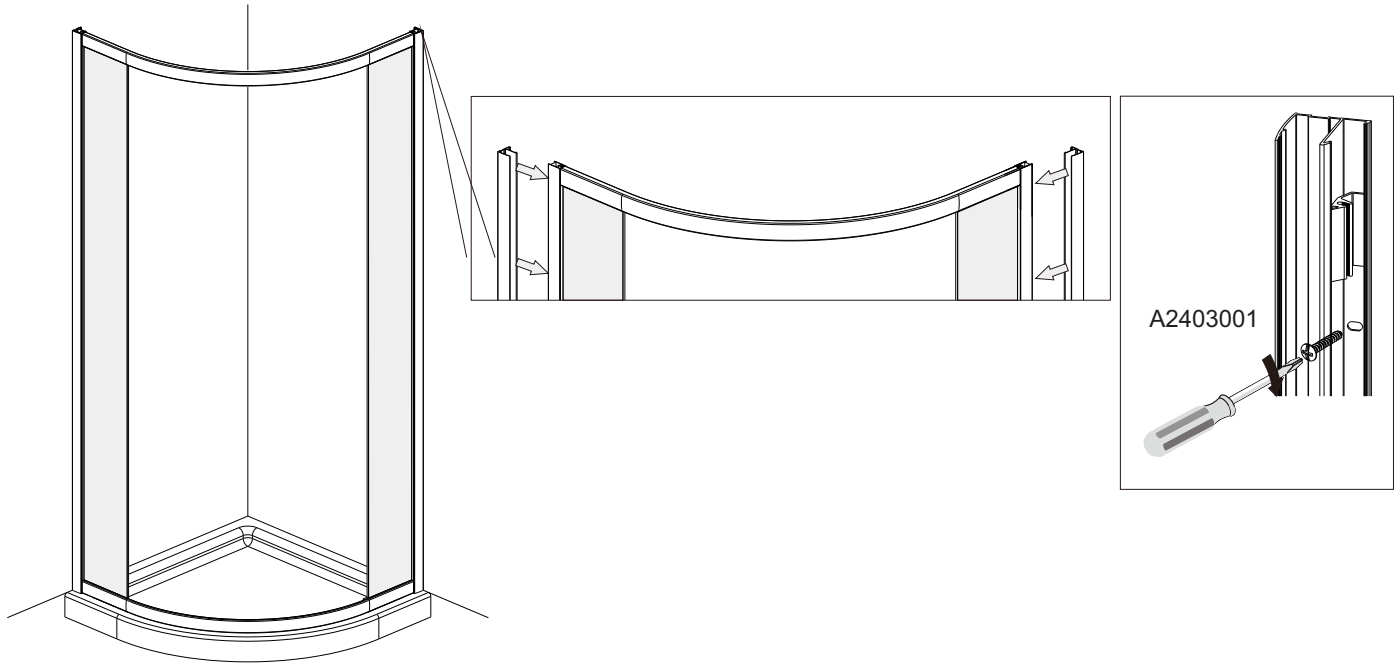
Fitting the wall profile.



Position the wall profiles on the tray. Step in wall profile 20mm from the front edge of the shower tray. Ensure wall profile is plumb. Mark the position for fixing the wall profile to the wall. Drill with 6mm Masonry drill bit and insert wall plug **SP02SP12**. **Do not silicone behind wall profile to wall, see sealing section.**

## STAGE 7

Fix both wall profile onto the frame, then lift the frame onto the tray, keep side of profile with fixing holes to the inside, fix both profiles with 30mm screws A2403001.

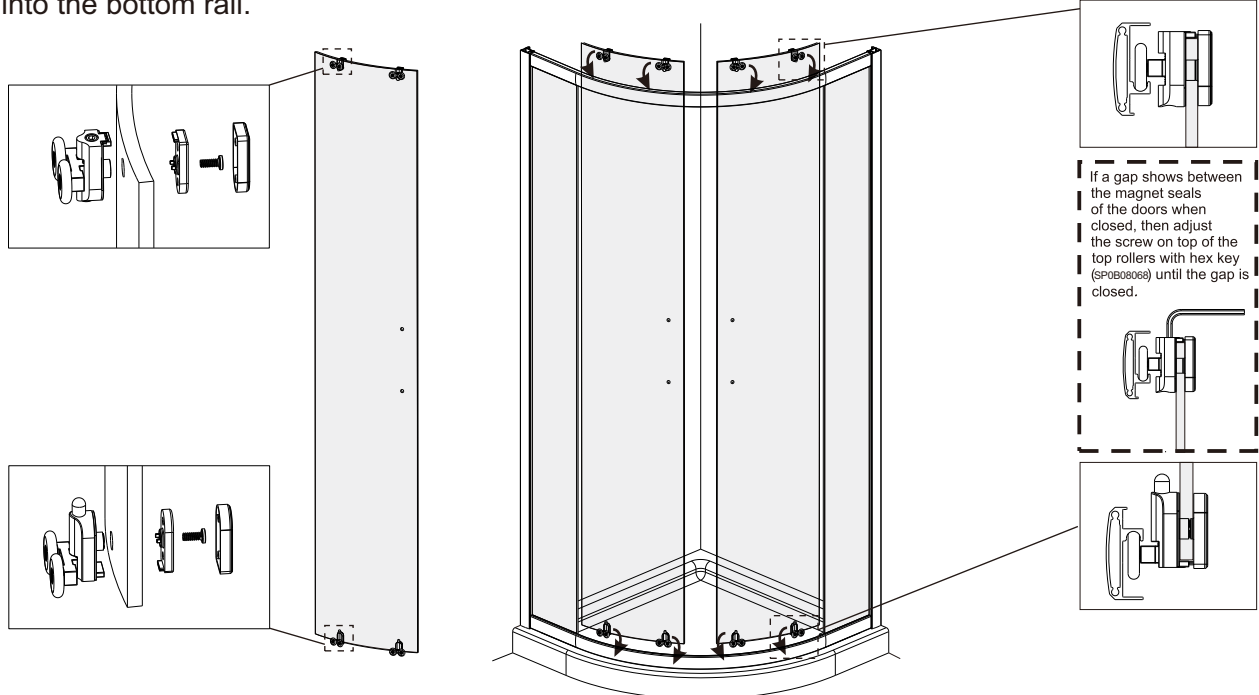


## STAGE 8

### INSTALL MOVING PANEL.

Fit the rollers to the moving panel.

Note: Ensure OUTSIDE label is facing the outside. Spring loaded rollers are to be located at the bottom. Hang the doors onto the top track, and push the spring loaded button on the bottom rollers and ease the rollers into the bottom rail.



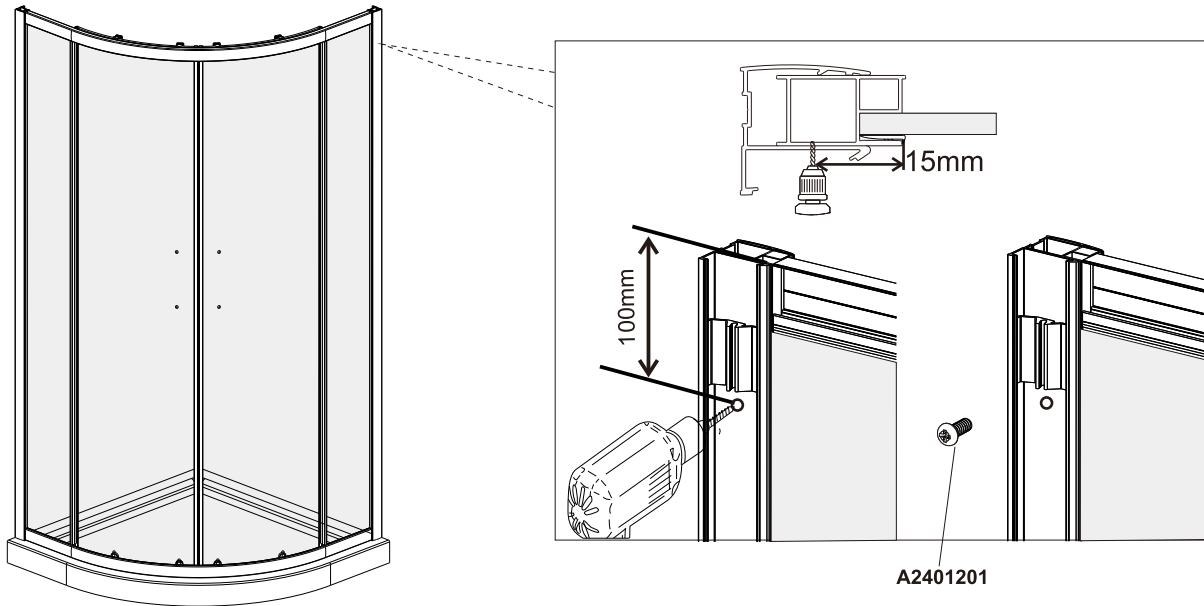
## STAGE 9

### SECURE WALL CHANNEL & UPRIGHT PROFILE

Once you have checked that the door opens and closes correctly, fix the door frame to the wall channels. From inside, drill 3 holes through each wall channel/door frame using a 3.0mm drill bit. Fix using A2401201.

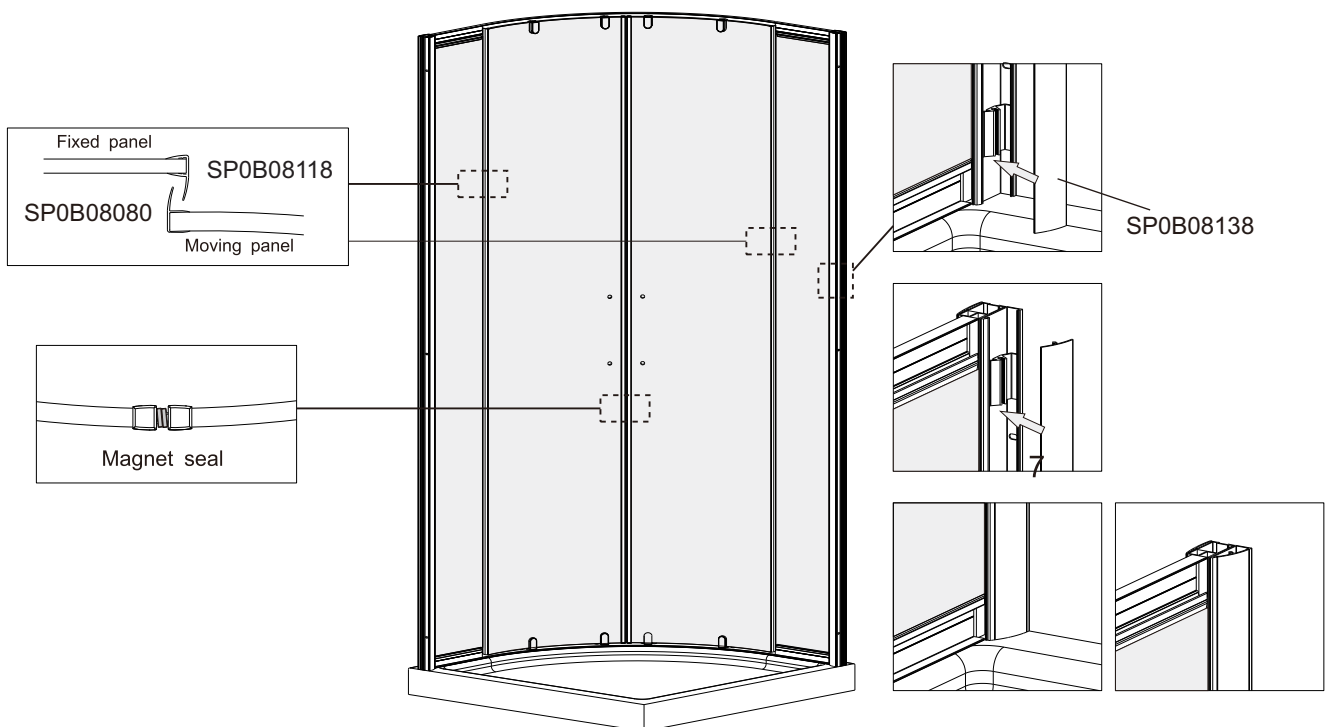
#### IMPORTANT

Please follow the right diagram for drilling, so as not to drill into the glass. Ensure there is sufficient overlap between the wall profile and the frame for the screw to fix both profiles.

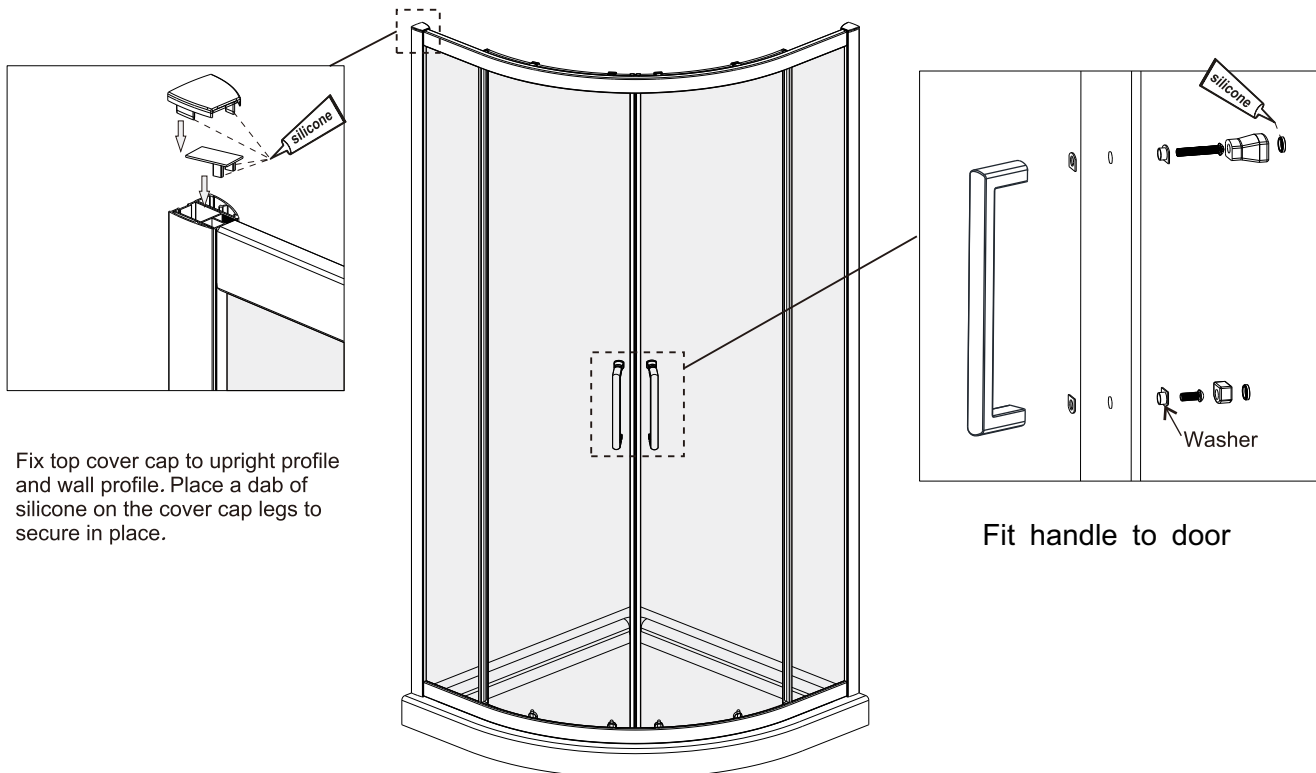


## STAGE 10

Push the upright seals SP0B08118 onto the fixed panels, and the upright seals SP0B08080 onto the moving panels. (As shown diagram below). Attach cover strip SP0B08138 to the wall profile.



## STAGE 11



Fix top cover cap to upright profile and wall profile. Place a dab of silicone on the cover cap legs to secure in place.

Fit handle to door

## STAGE 12

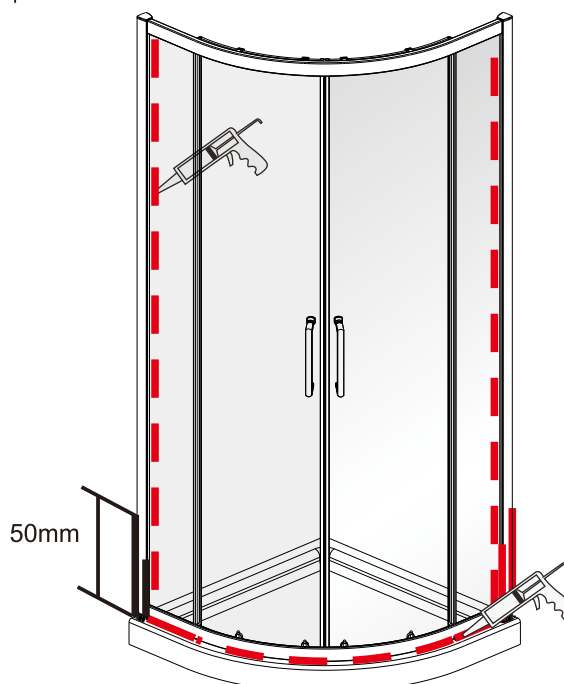
Use a quality silicone sealant to seal the finished door. Seal joints between the upright profiles and the bottom rail.

**Sealing Inside** Seal top to bottom on the **INSIDE** between the wall profile and the wall.

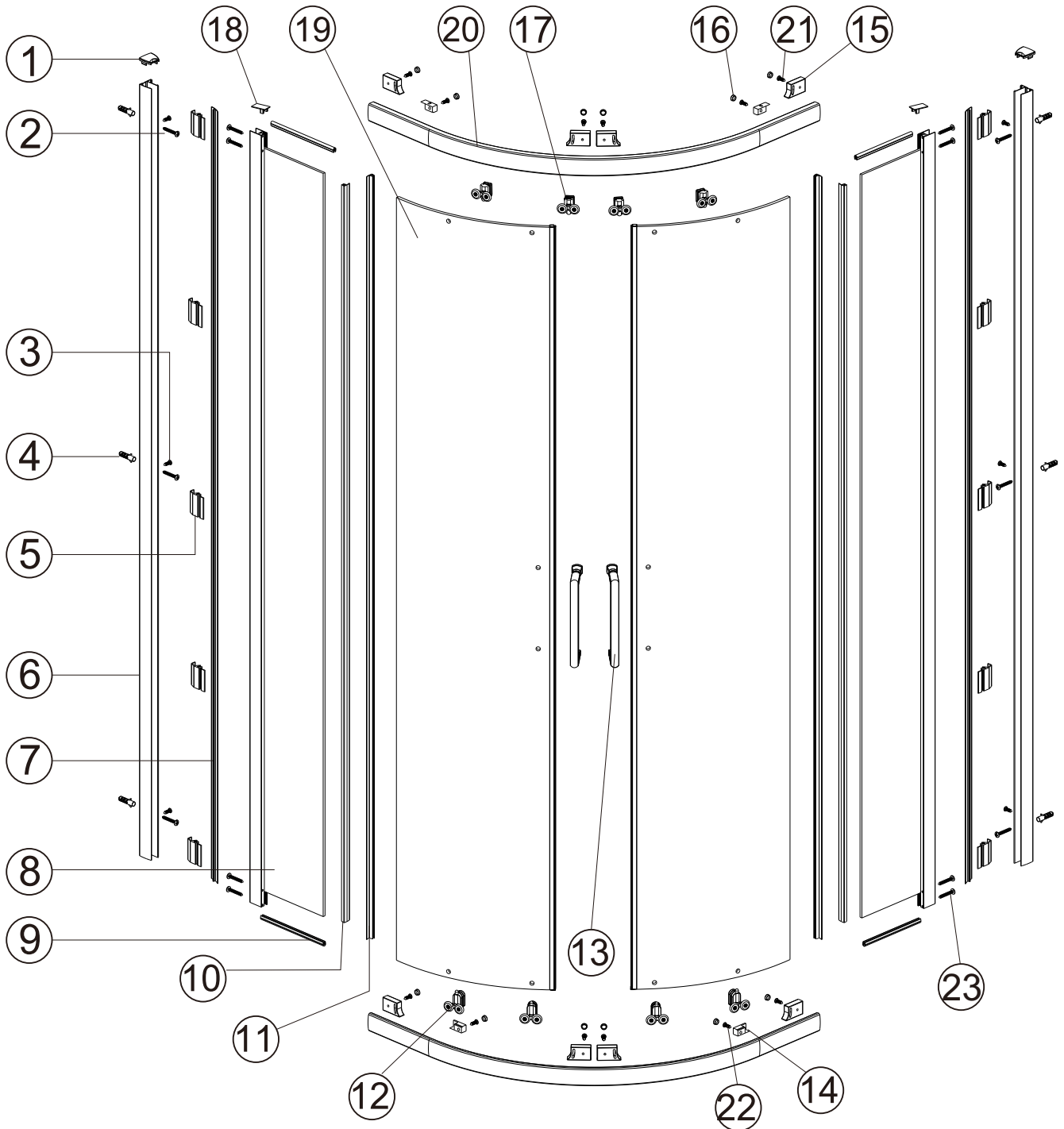
**Note:** Do not apply sealant on inside of tray.

**Sealing Outside** Seal only along bottom rail on the **OUTSIDE** between profile and the tray and approx 50mm up between the wall profile and the wall. Seal also where wall profile and frame profile overlap 50mm up.

Seal also the joints between the bottom profile and the upright profiles.



# PARTS LIST





Item No.	Part List Description	Part Code	Two Door Quadrant Size Variations
			900x900
1	Cover cap for wall profile L/R	SP0B08150/ SP0B08151	2
2	Screw ST4x30	A2403001	6
3	Flathead screw ST4x12	A2401201	6
4	Wall plug	SP02SP12	6
5	Cover strip clip	SP0B08147	10
6	Wall profile	SP0B08135	2
7	Cover Strip	SP0B08138	2
8	Fixed panel - various sizes	N/A	2
9	Fixed panel top & bottom seals	SP0B08119	4
10	Upright seal for fixed panel	SP0B08118	2
11	Upright seal for moving panel	SP0B08080	2
12	Bottom Roller	SP0B08075	4
13	Handle	SP0B08072	2
14	Glass clip(L/R)	SP0B08120/ SP0B08121	4
15	Roller stop(L/R)	SP0B08065L/ SP0B08065R	8
16	Glass clip cover cap	SP0B08069	4
17	Top Roller	SP0B08074	4
18	Cover cap upright profile	SP0B08152	2
19	Moving panel - various sizes	N/A	2
20	Top & Bottom Rail 900x900	SP0B08154	2
21	Glass clipscrew ST4X10	SP0B08089	8
22	Roller stop screw ST4X10	SP0B08089	4
23	Screw ST4X40	SP0B08129	8