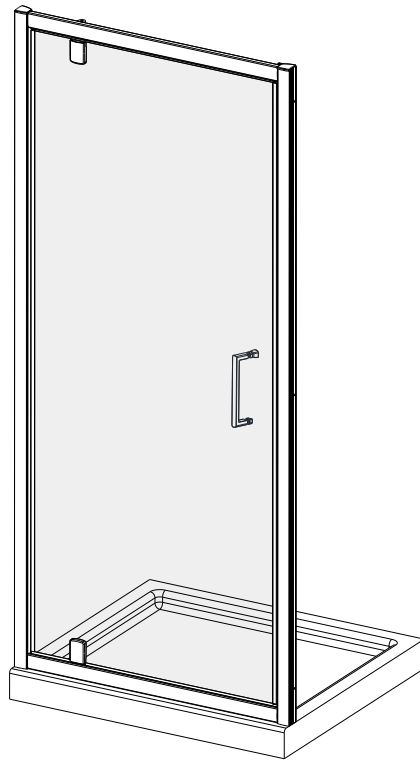


PIVOT DOOR INSTALLATION GUIDE



***Please read these instructions carefully and keep for future reference.
Incorrect fitting will invalidate the guarantee.***

SAFETY

- Handle glass with great care. Although the glass is very tough, sharp impacts can damage both the glass and metal frame.
- Make sure there are no hidden pipes or cables hidden in the wall where you intend to drill.
- Wear safety goggles, shoes and appropriate clothing.

BEFORE INSTALLATION

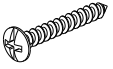
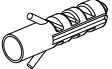

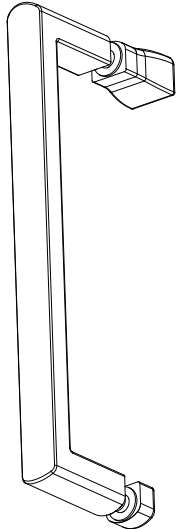


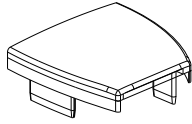
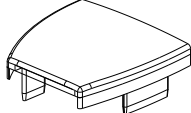
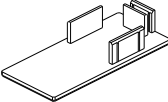
- Check that the shower tray is level in all directions. The enclosure will not sit correctly on an uneven surface. If uneven, the wall channels may not fit and the doors may not shut correctly.
- The enclosure should be fitted on tiled walls which are sealed with waterproof grout.
- There must be a good silicone seal between the rim of the shower tray and the wall.
- The shower tray and the enclosure must match in size. Attempting to fit the incorrect size of enclosure to the shower tray will result in water leaks.
- Always check very carefully that components are vertical.
- To avoid damage, use the opened out packaging to build the enclosure on.

Equipment needed:

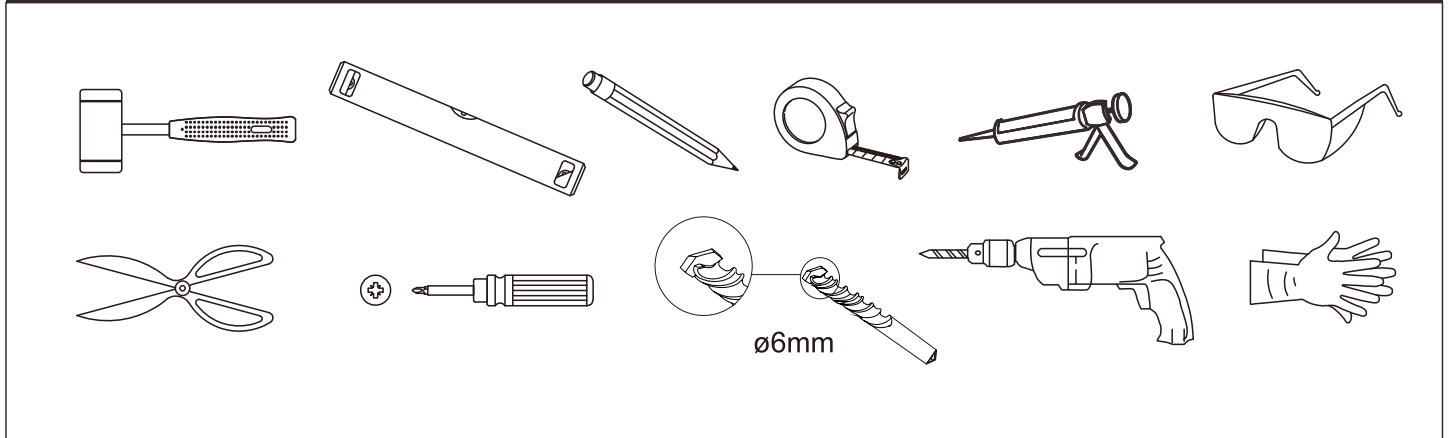
Drill, 6.0mm Masonry Bit, Crosshead PH2 Screwdriver, Spirit Level, Pencil, Tape Measure, Silicone Sealant.

Note: The screws and wall plugs supplied are for masonry walls. For lightweight walls i.e. stud partition, plasterboard etc, use the correct type of fixings.

FIXING KIT COMPONENTS

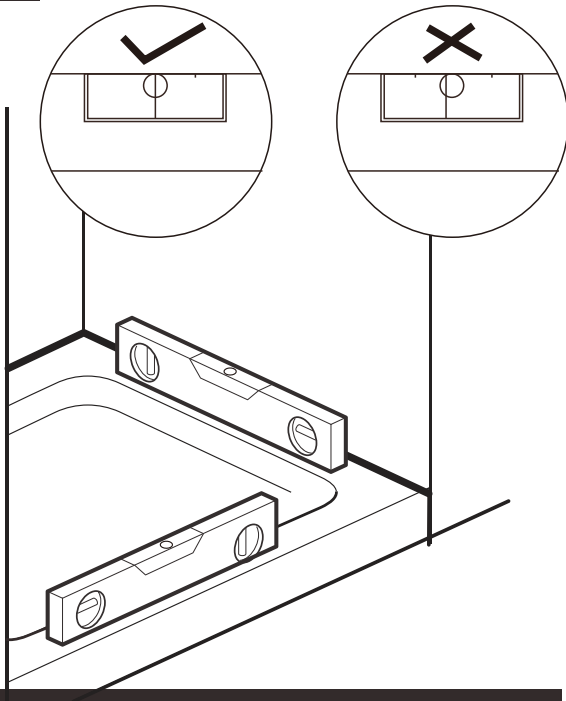
6  A2403001	6  SP02SP12	6  A2401201	 1 SP0B08072
1  SP0B08068	1  SP0B08092	1  SP0B08150	
1  SP0B08151	2  SP0B08152		

TOOLS REQUIRED

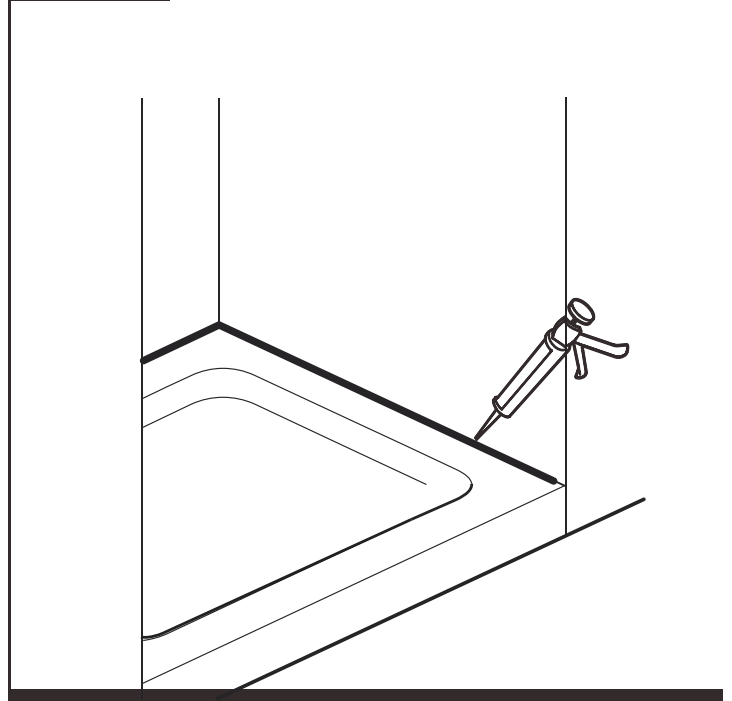


PIVOT DOOR CODE	DOOR SIZE IN MM	OVERALL ADJUSTMENT IN RECESS MM
TN8P80	800	730-790
TN8P90	900	830-890

STAGE 1

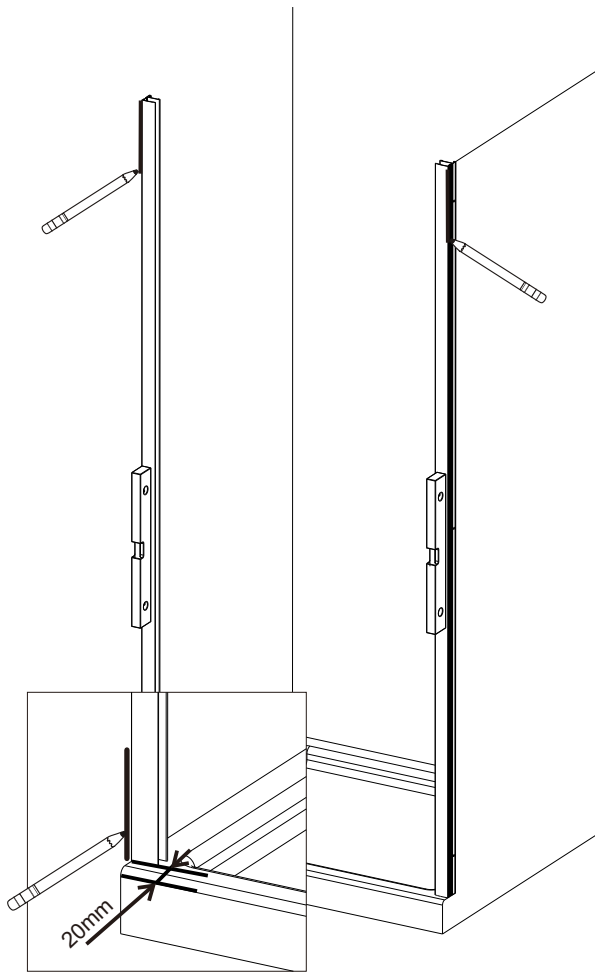
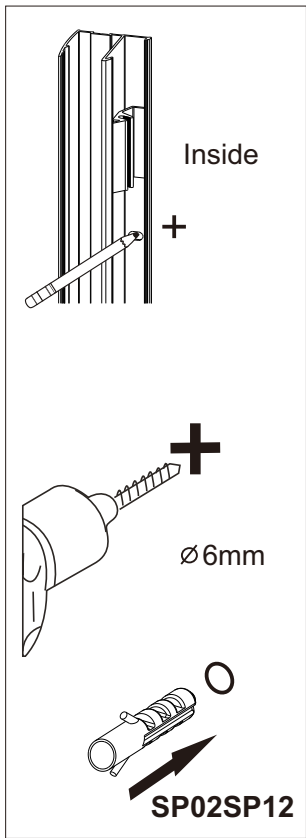


STAGE 2



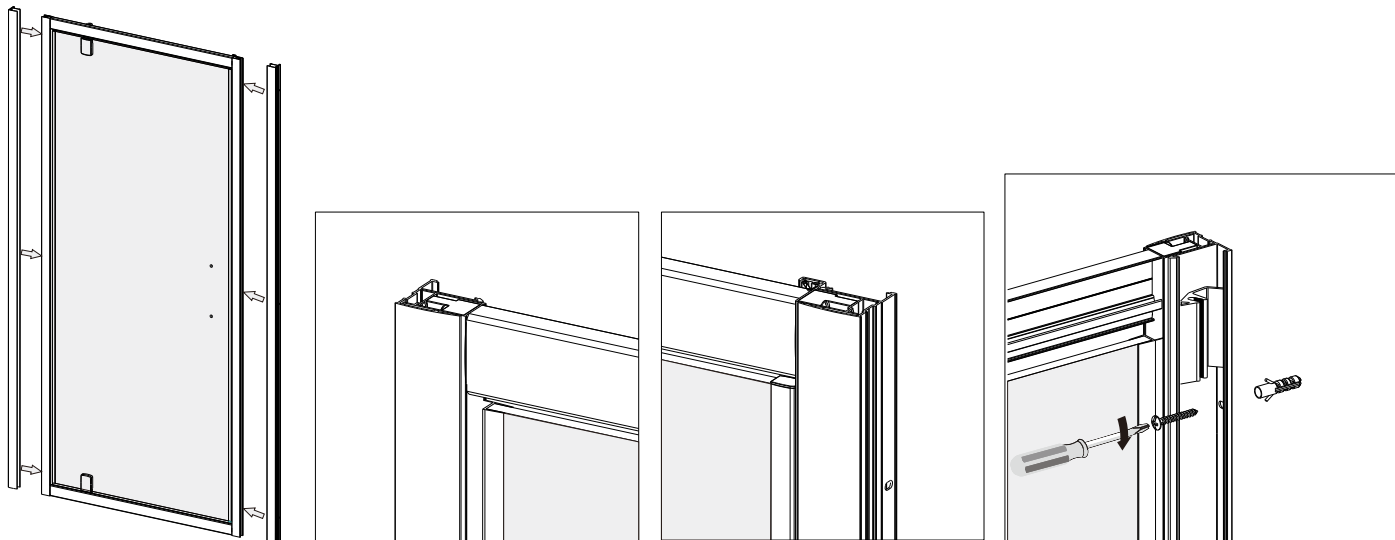
STAGE 3

Step in the wall profiles 20mm. Ensure the wall profiles are plumb. Mark the position for fixing the wall profile to the wall. Drill with 6mm Masonry drill bit and insert wall plug **SP02SP12**



STAGE 4

Fit both wall profiles onto the frame, then lift the frame onto the tray. Keep side of profile with fixing holes to the inside, fix both profiles with 30mm screws A2403001.

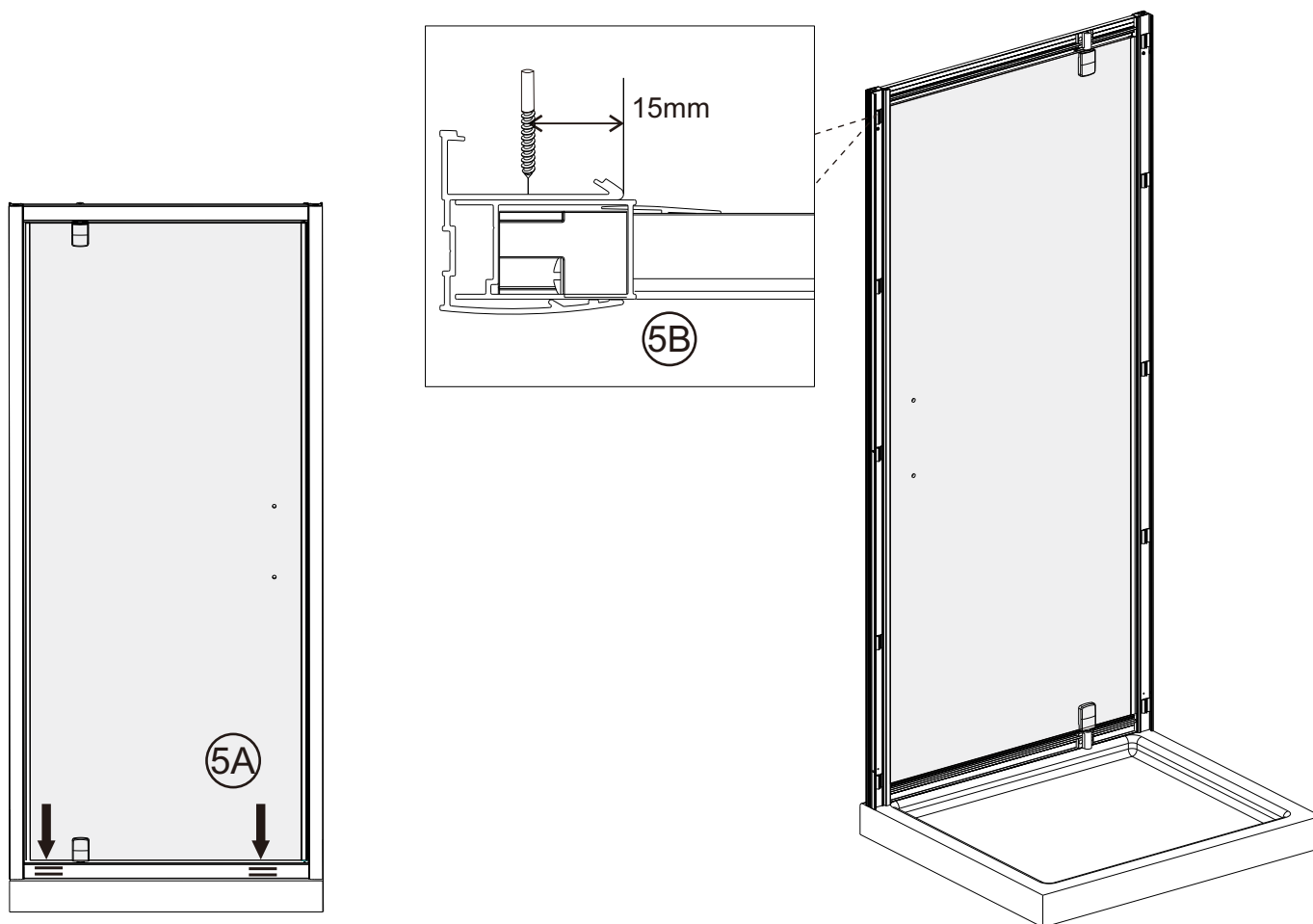


STAGE 5

Ensure there is an equal gap between the bottom of the door and the frame(5A).

Drill 3 equally spaced holes with 3mm drill bit through the wall profile and frame(5B).

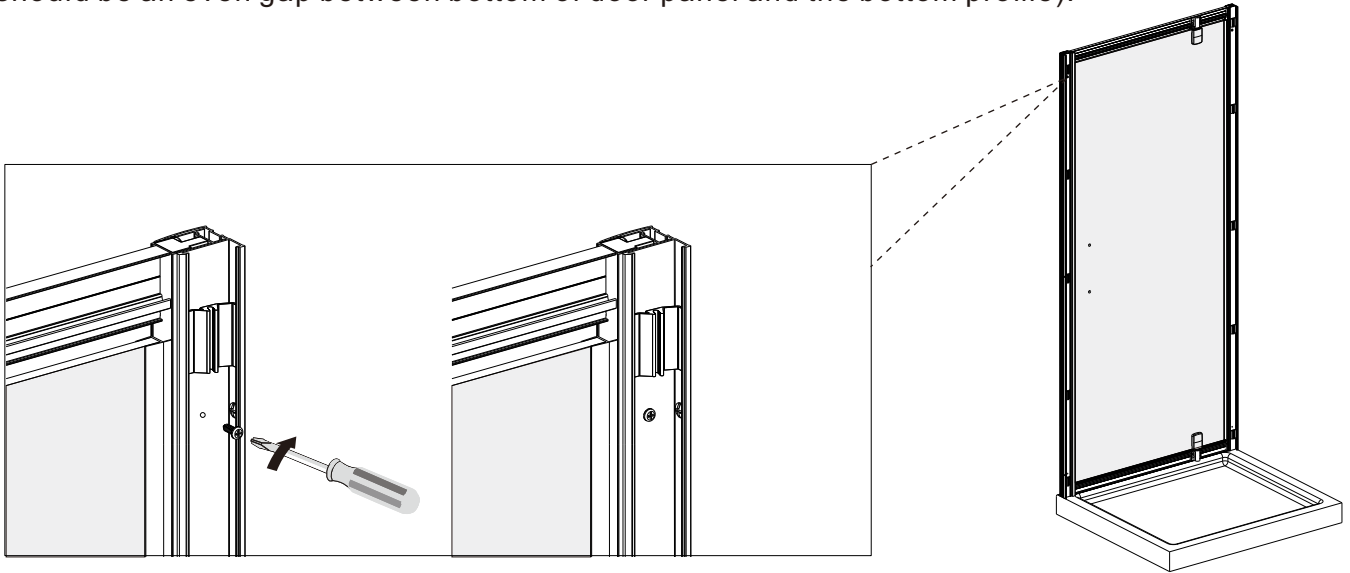
IMPORTANT: Ensure minimum of 15mm from the front edge of the frame (see picture below).



STAGE 6

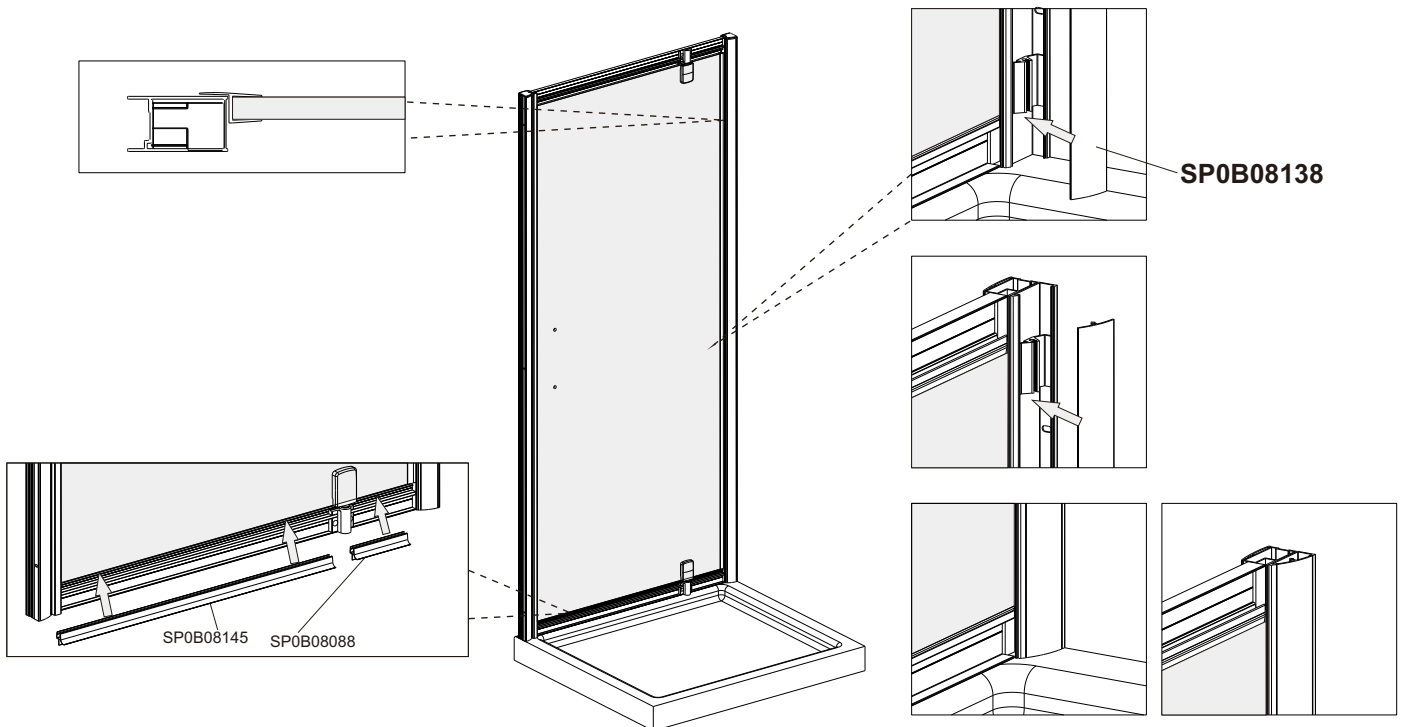
Fix the frame with screws **A2401201**.

IMPORTANT: Ensure frame is 100% square and the door closes square in the frame (should be an even gap between bottom of door panel and the bottom profile).



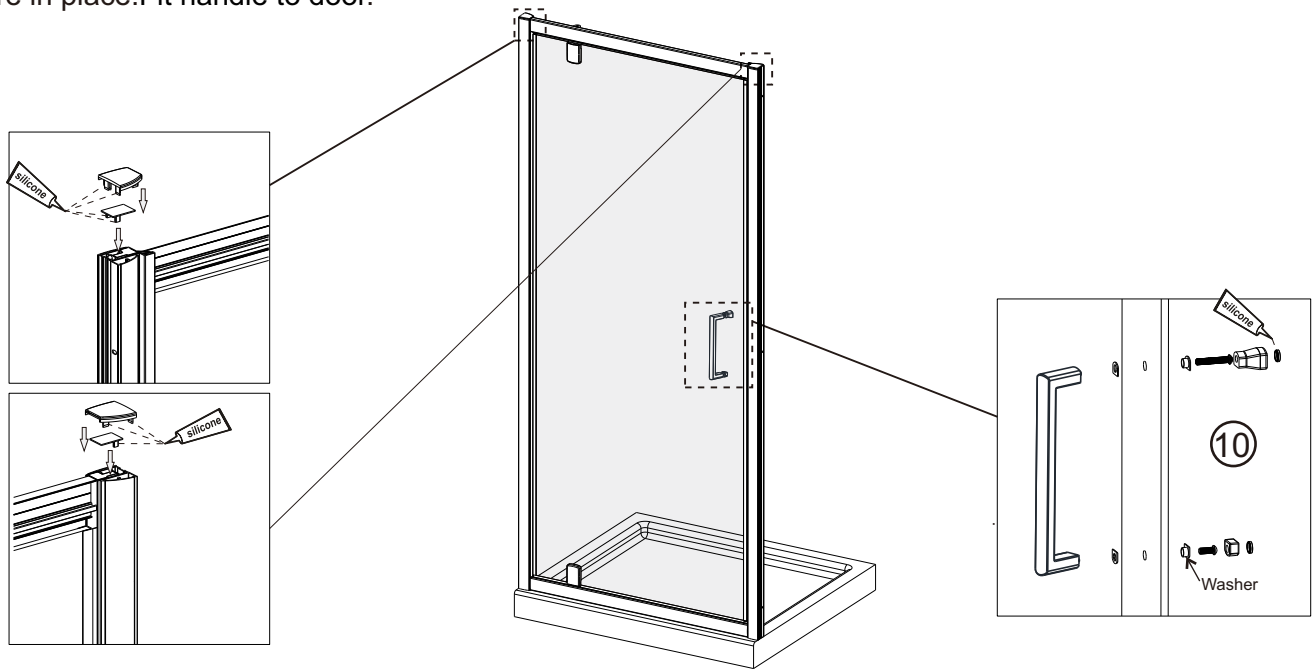
STAGE 7

Push on upright seal to back of moving panel, keeping fin to inside. Attach the cover strip **SP0B08138** to the wall profile. Fit bottom seal (SP0B08145/SP0B08088).



STAGE 8

Insert wall profile covercaps **SP0B08150/SP0B08151** followed by the upright profile covercaps **SP0B08152**. Place a dab of silicone on the cover cap legs to secure in place. Fit handle to door.



STAGE 9

Use a quality silicone sealant to seal the finished door. Seal joints between the upright profiles and the bottom rail.

Sealing Inside Seal top to bottom on the **INSIDE** between the wall profile and the wall.

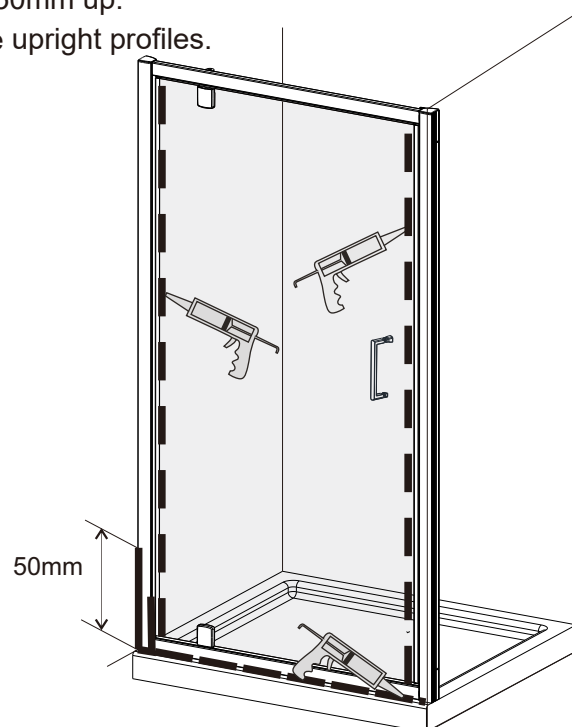
Note: Do not apply sealant on inside of tray.

Sealing Outside

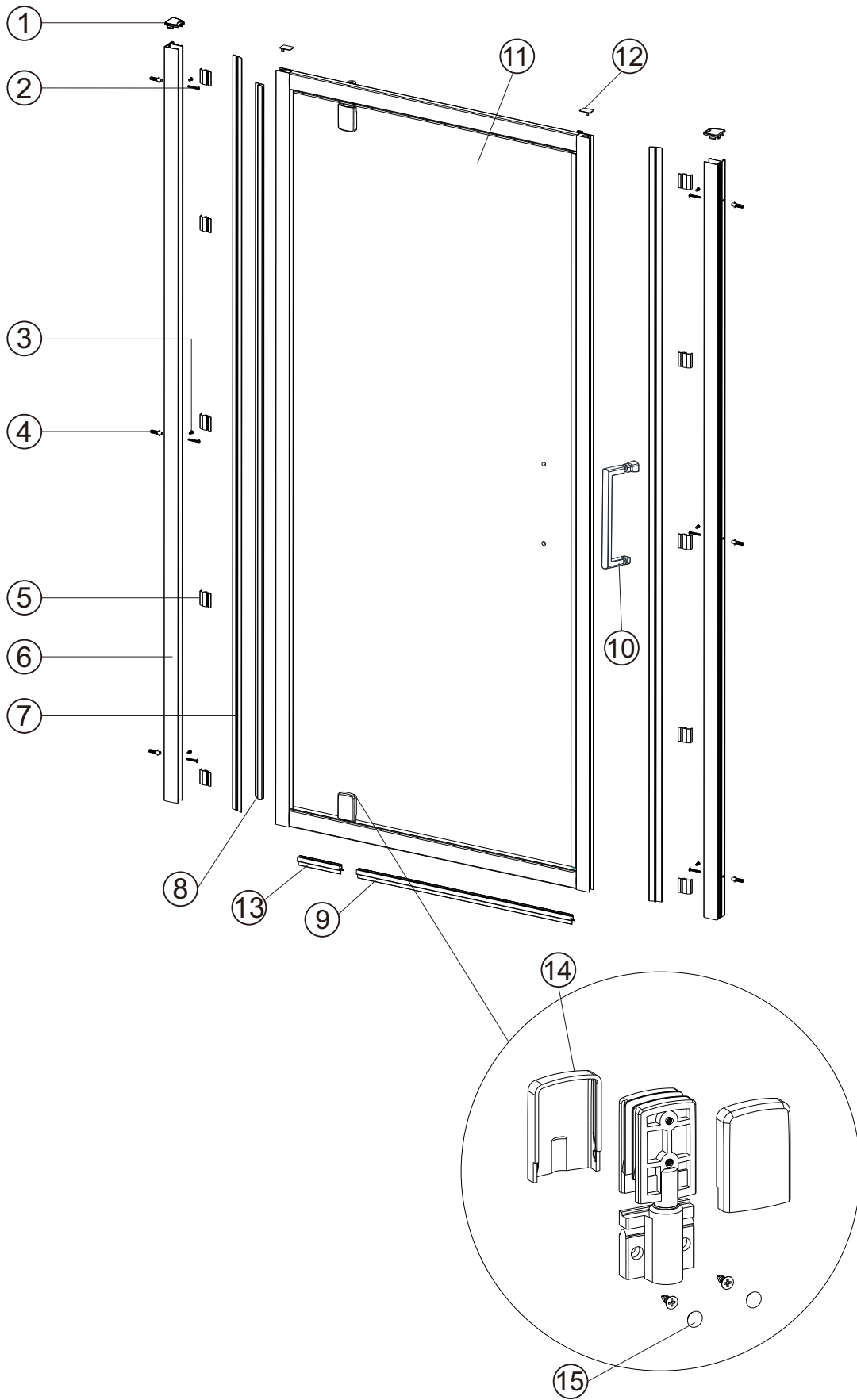
Seal only along bottom rail on the **OUTSIDE** between profile and the tray and approx 50mm up between the wall profile and the wall.

Seal also where wall profile and frame profile overlap 50mm up.

Seal also the joints between the bottom profile and the upright profiles.



PARTS LIST



Item No.	Part List Description	Part Code	Pivot Door Size Variations	
			800	900
1	Cover cap for wall profile L/R	SP0B08150/ SP0B08151	2	2
2	Screw ST4x30	A2403001	6	6
3	Flat head screw ST4x12	A2401201	6	6
4	Wall plug	SP02SP12	6	6
5	Coverstrip clip	SP0B08147	10	10
6	Wall profile	SP0B08135	2	2
7	Cover Strip	SP0B08138	2	2
8	Upright water seal for fixed panel	SP0B08048	1	1
9	Bottom seal long	SP0B08145	1	1
10	Handle	SP0B08072	1	1
11	Fixed panel-various size	N/A	1	1
12	Cover cap for upright profile	SP0B08152	2	2
13	Bottom seal short	SP0B08088	1	1
14	Front & back cover caps	SP0B08093	2	2
15	Screw cover caps	SP0B08069	2	2